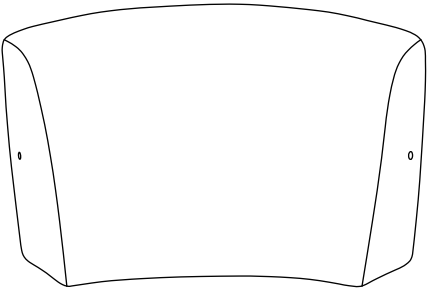
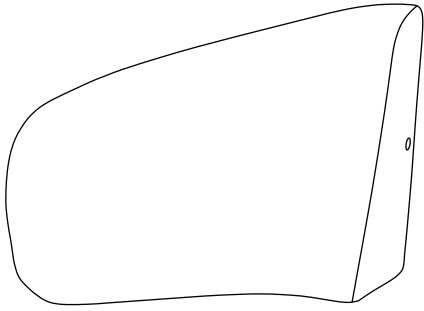
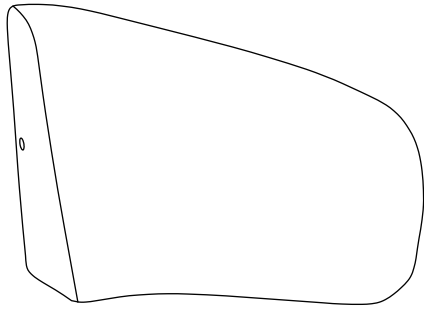
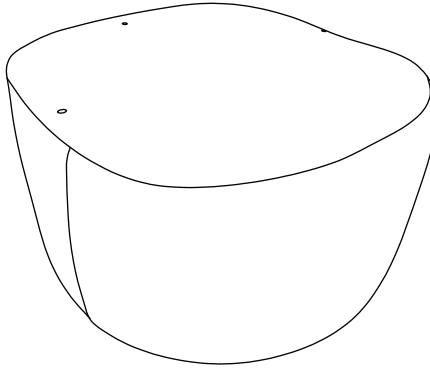
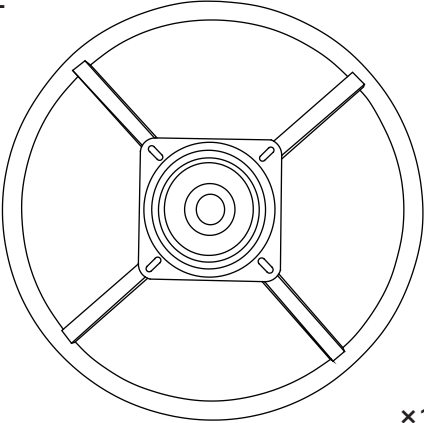
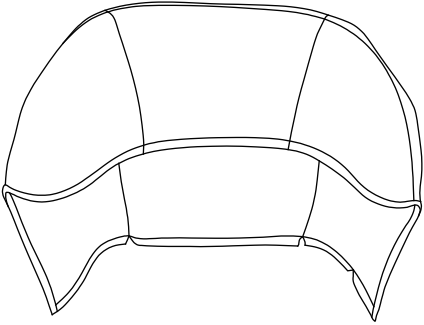
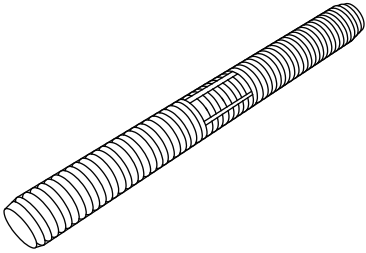
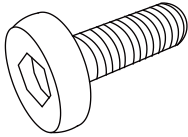
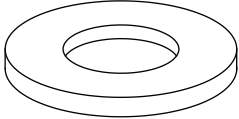
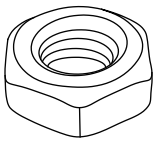
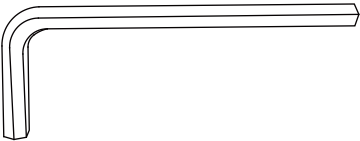
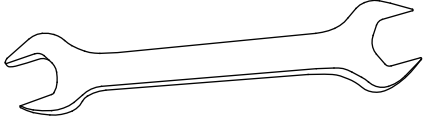


Assamble Vedio URL:

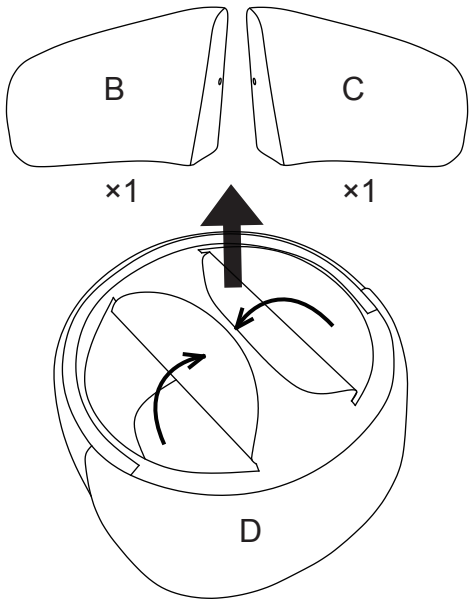
<https://www.youtube.com/watch?v=4rGZU1jSRQ0>

ASSEMBLY INSTRUCTIONS

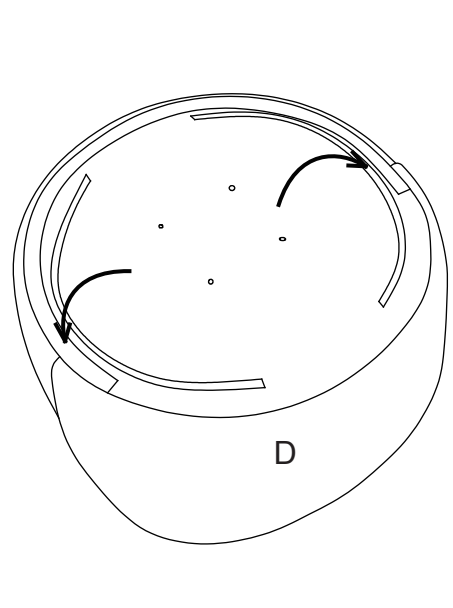
NO.: DK-10124KD

<p>A</p>  <p>x1</p>	<p>B</p>  <p>x1</p>	<p>C</p>  <p>x1</p>
<p>D</p>  <p>x1</p>	<p>E</p>  <p>x1</p>	<p>F</p>  <p>x1</p>
<p>G</p>  <p>M8*80mm x5</p>	<p>H</p>  <p>M6*16mm x4</p>	<p>I</p>  <p>M8*22*2mm x5</p>
<p>J</p>  <p>M8 x5</p>	<p>K</p>  <p>M6 x1</p>	<p>L</p>  <p>M14 x1</p>

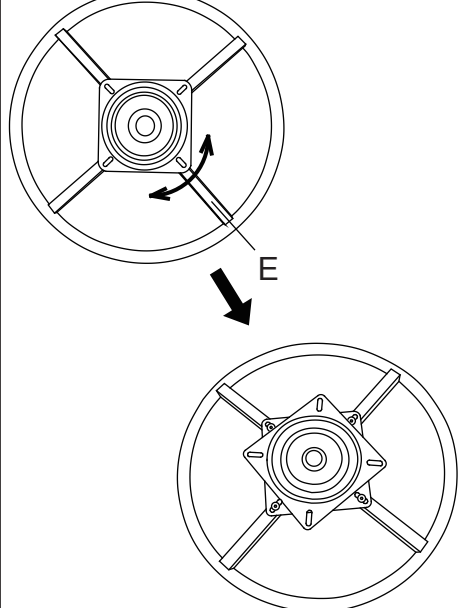
STEP 1



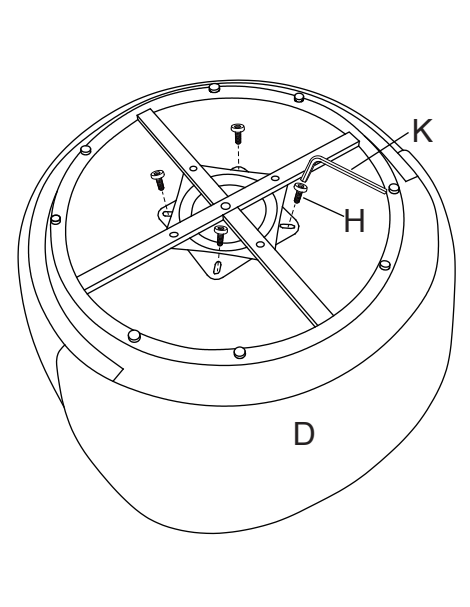
STEP 2



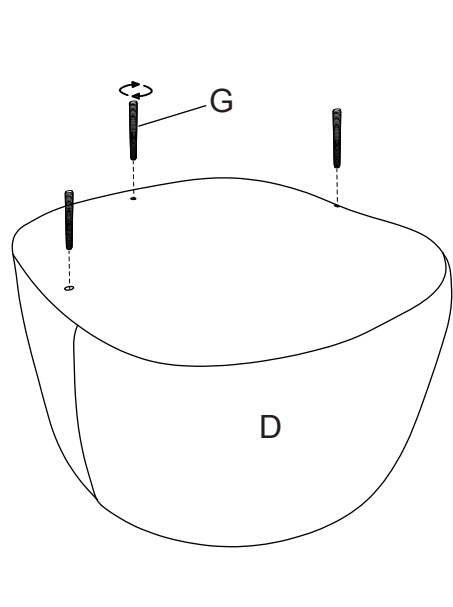
STEP 3



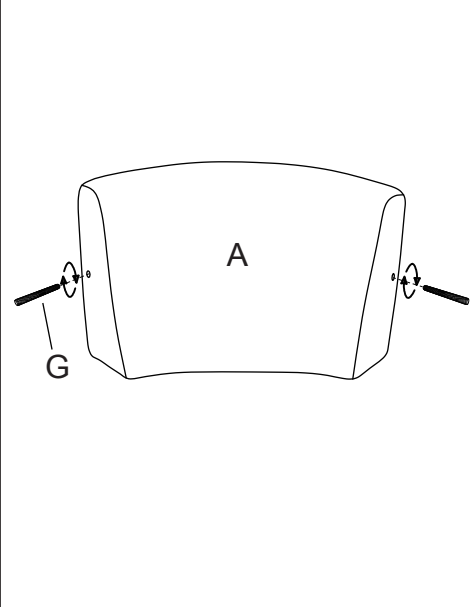
STEP 4



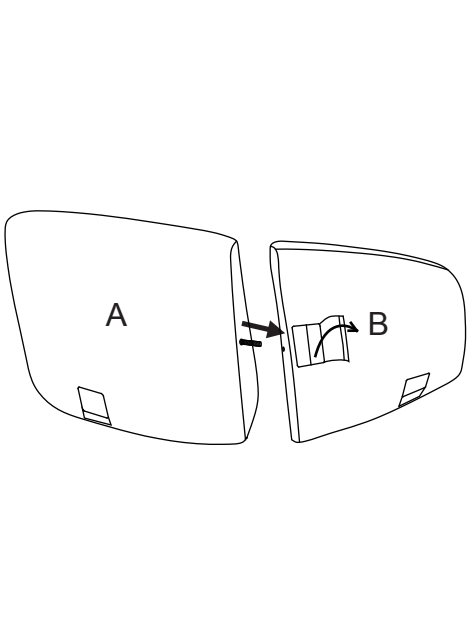
STEP 5



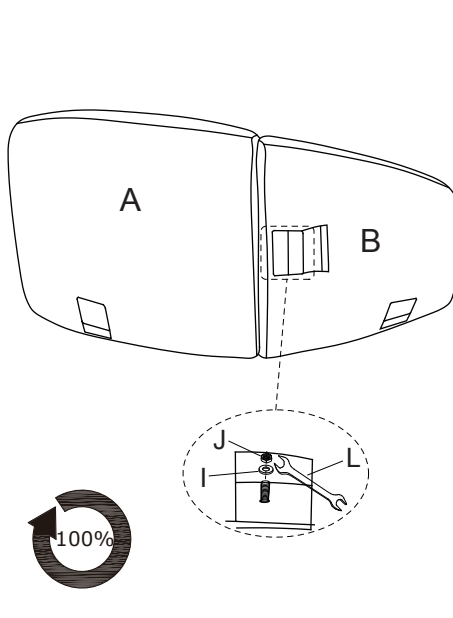
STEP 6



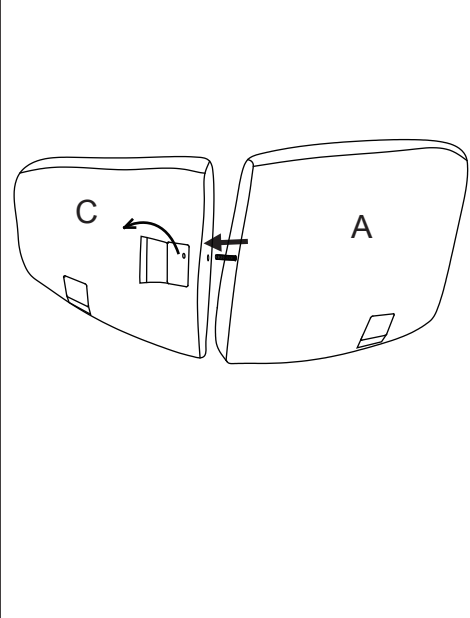
STEP 7



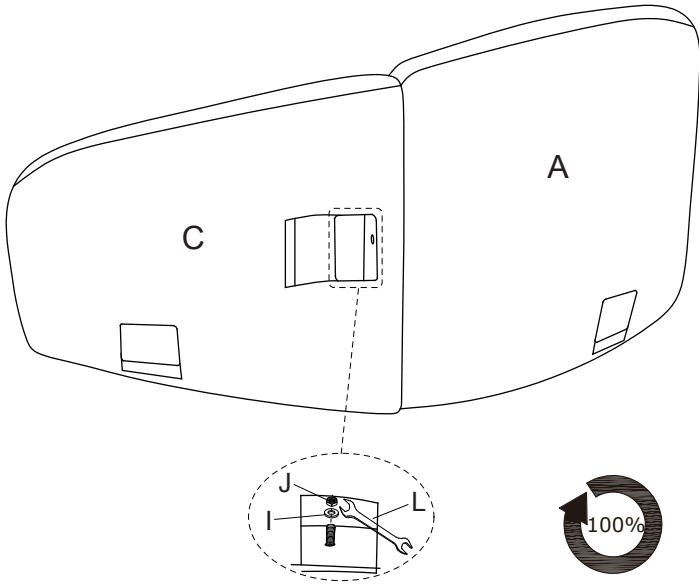
STEP 8



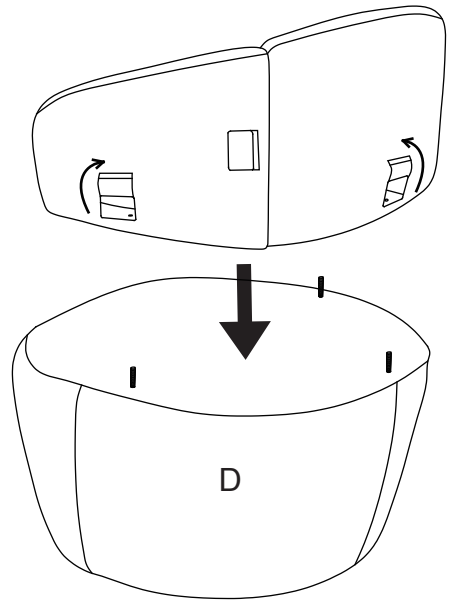
STEP 9



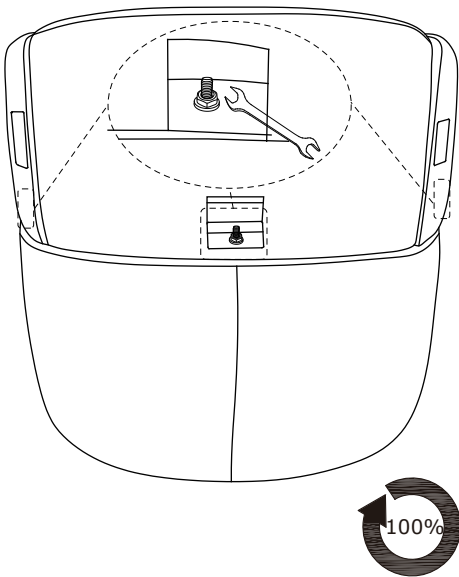
STEP 10



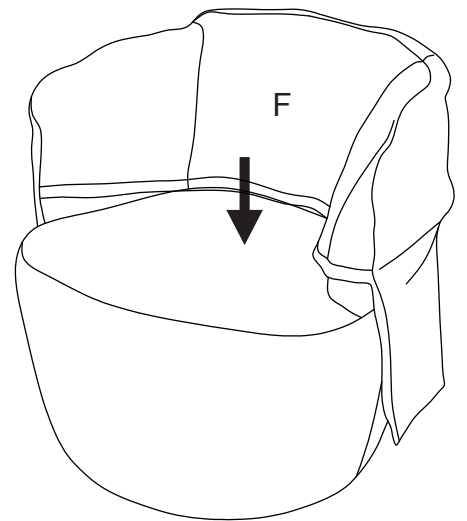
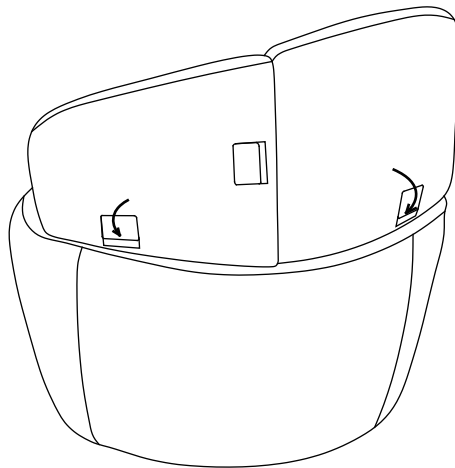
STEP 11



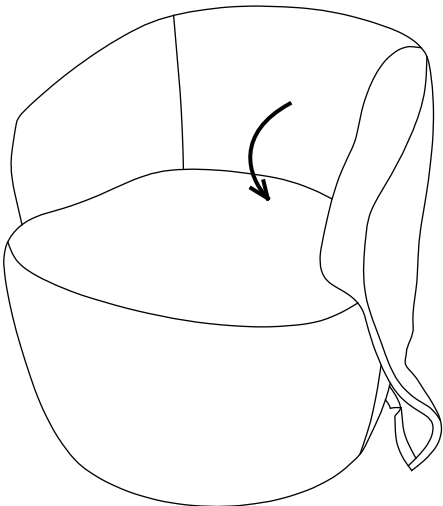
STEP 12



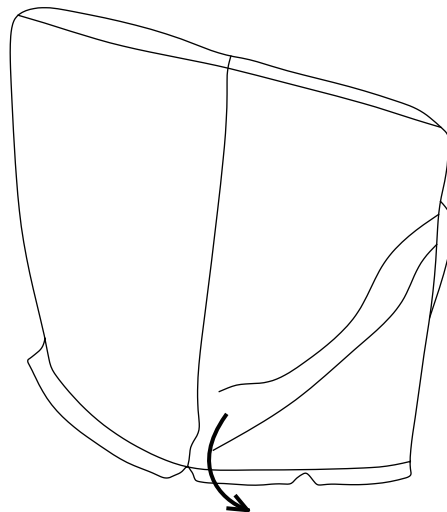
STEP 13



STEP 14



STEP 15



STEP 16

