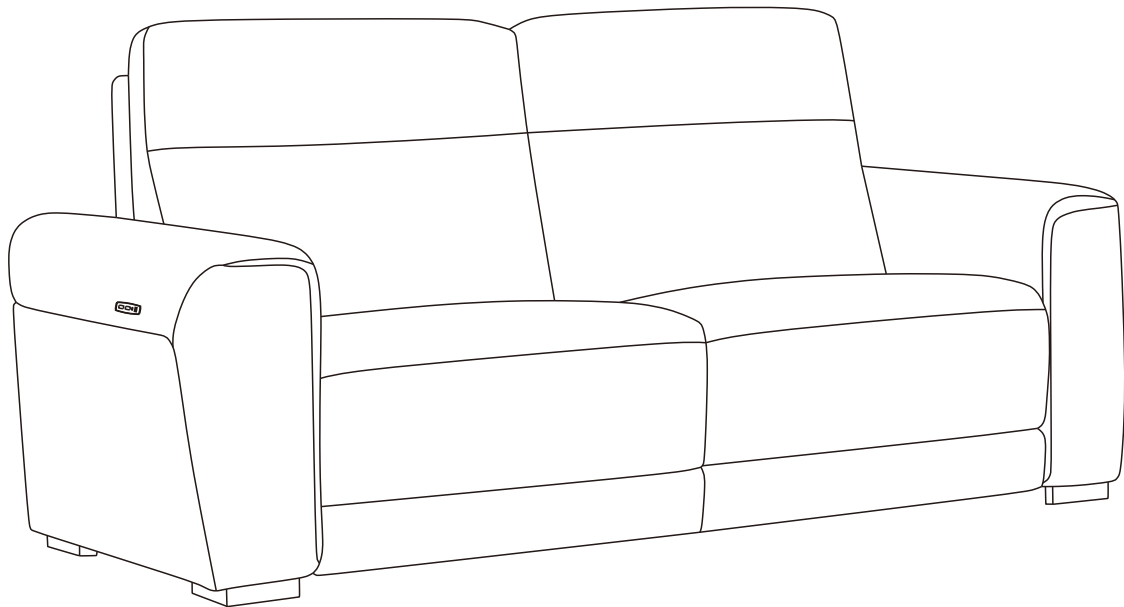


# Power Reclining Sofa KM.6127 Assembly Manual



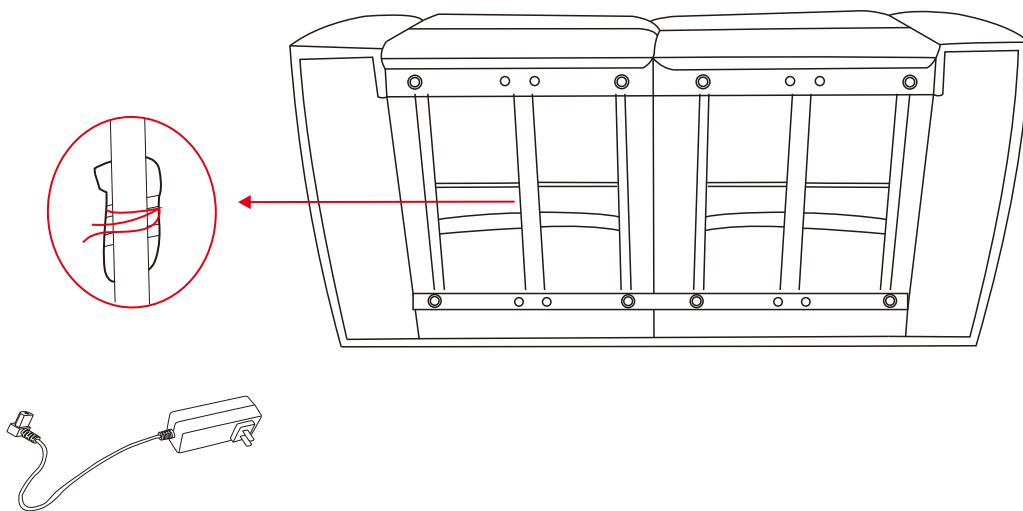
 **CAUTION**

THIS ASSEMBLY MANUAL CONTAINS IMPORTANT SAFETY INFORMATION.  
PLEASE READ AND KEEP FOR FUTURE REFERENCE.

# ASSEMBLY

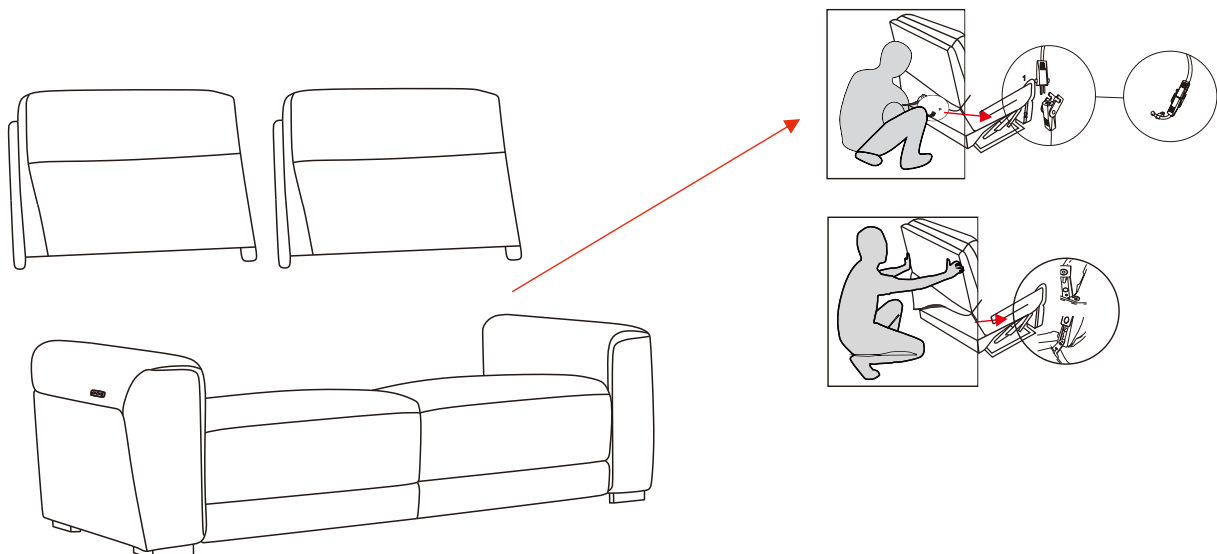
## Step 1

Take out and unwarp the power cable at the bottom of the sofa.



## Step 2

Connect the wires between the backrest and the seat cushion. Align the connector of the backrest and cushion and press down.



**Step 3**

Connect one end of the power cord into the DC adaptor located at the back of the seat. Plug the other end of the power cord into power outlet.

