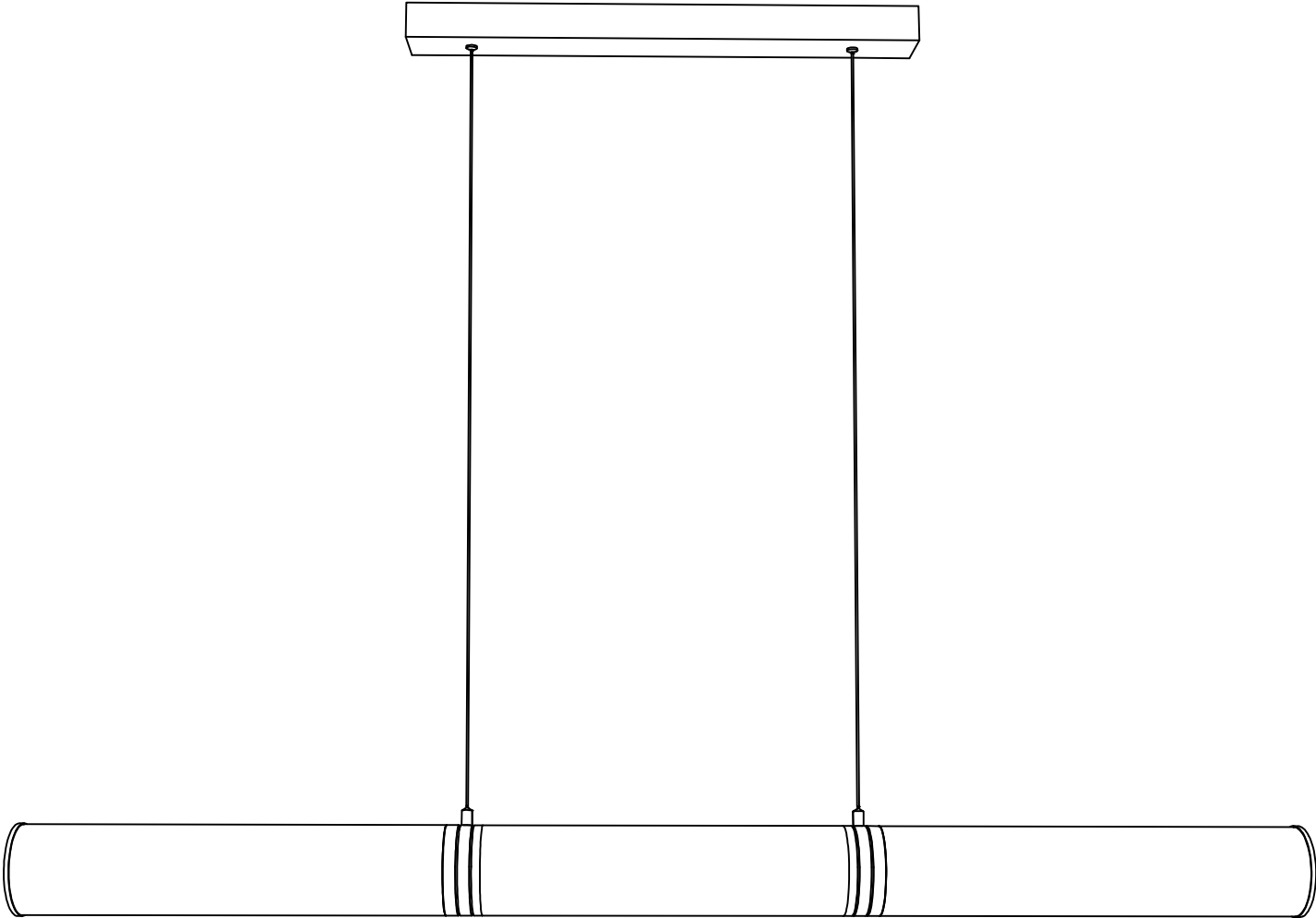
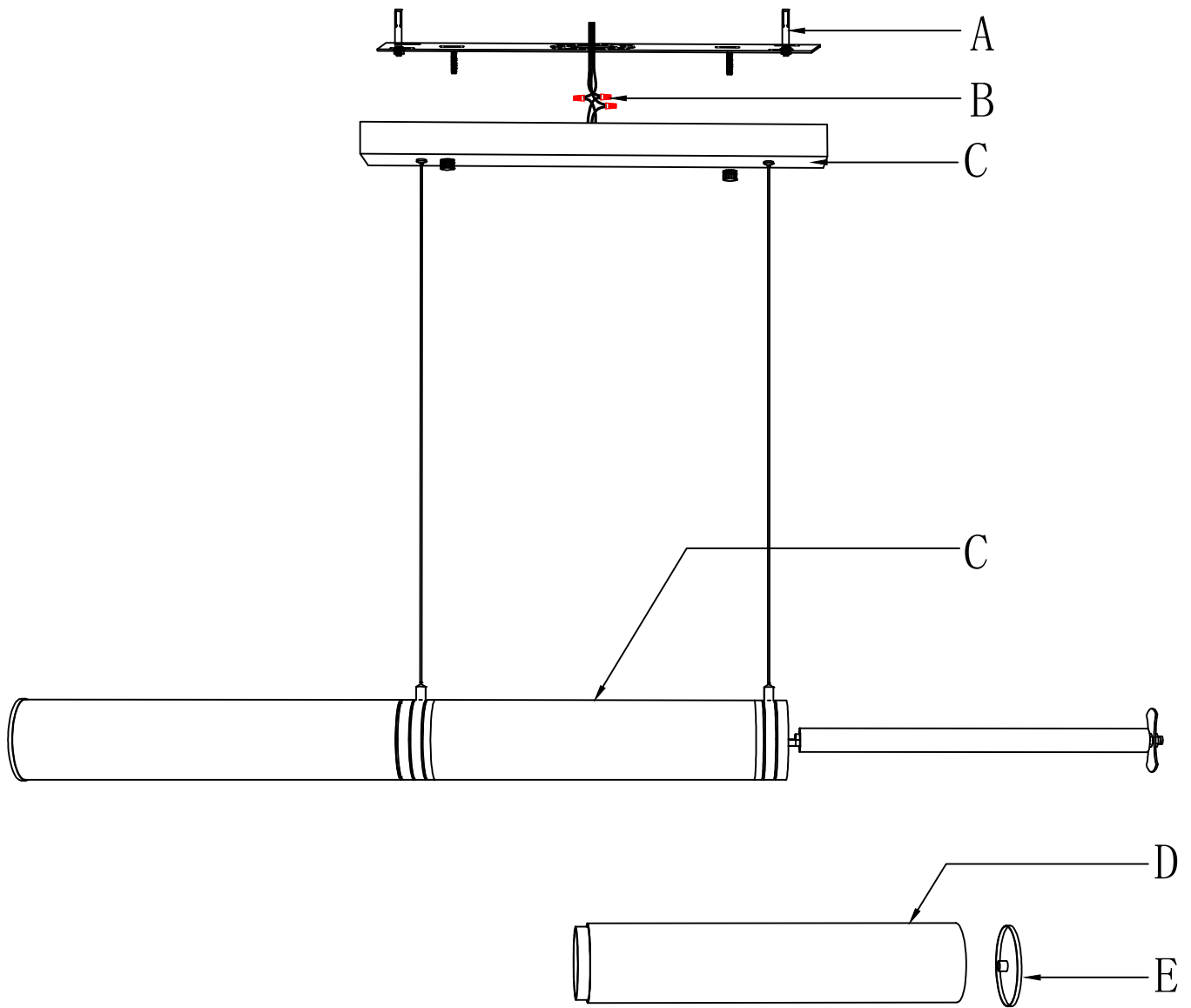


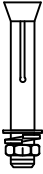
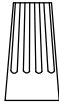
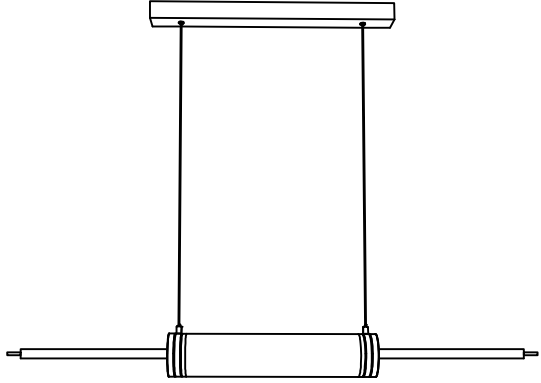
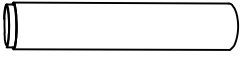

# INSTALLATION MANUAL



Open the box, and take out all the accessories  
you will get the following items.

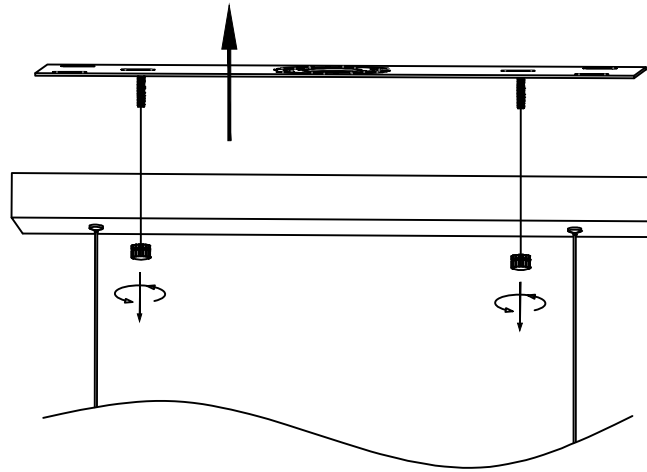


accessories list

<p>A*4</p> 	<p>B*3</p> 	<p>C*1</p> 
<p>D*2</p> 	<p>E*2</p> 	

NO.	Specification Name	QT
A	Expansion bolt	4
B	Wire Connector	3
C	Lamp body	1
D	Marble column	2
E	Metal end cap	2

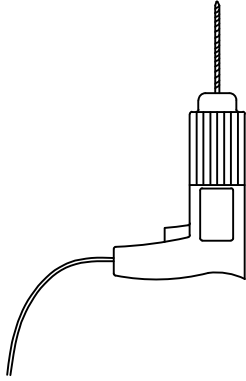
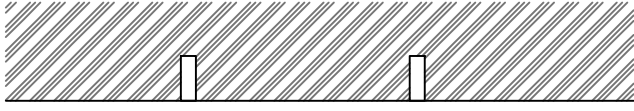
# Step 1



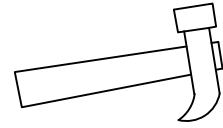
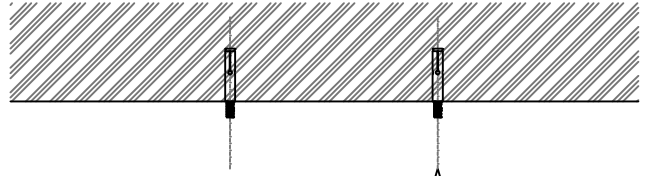
Loosen the screws cap of the hanging plate to take out the hanging plate

# Step 2

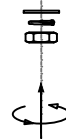
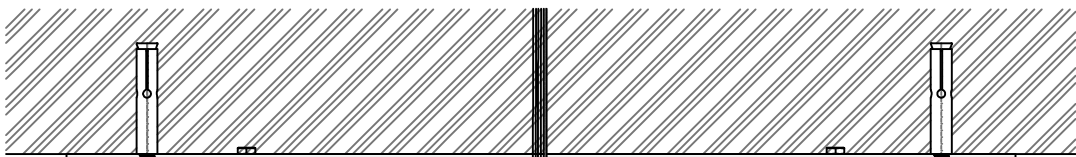
①



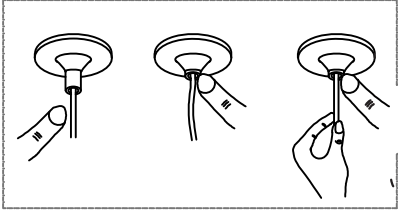
②



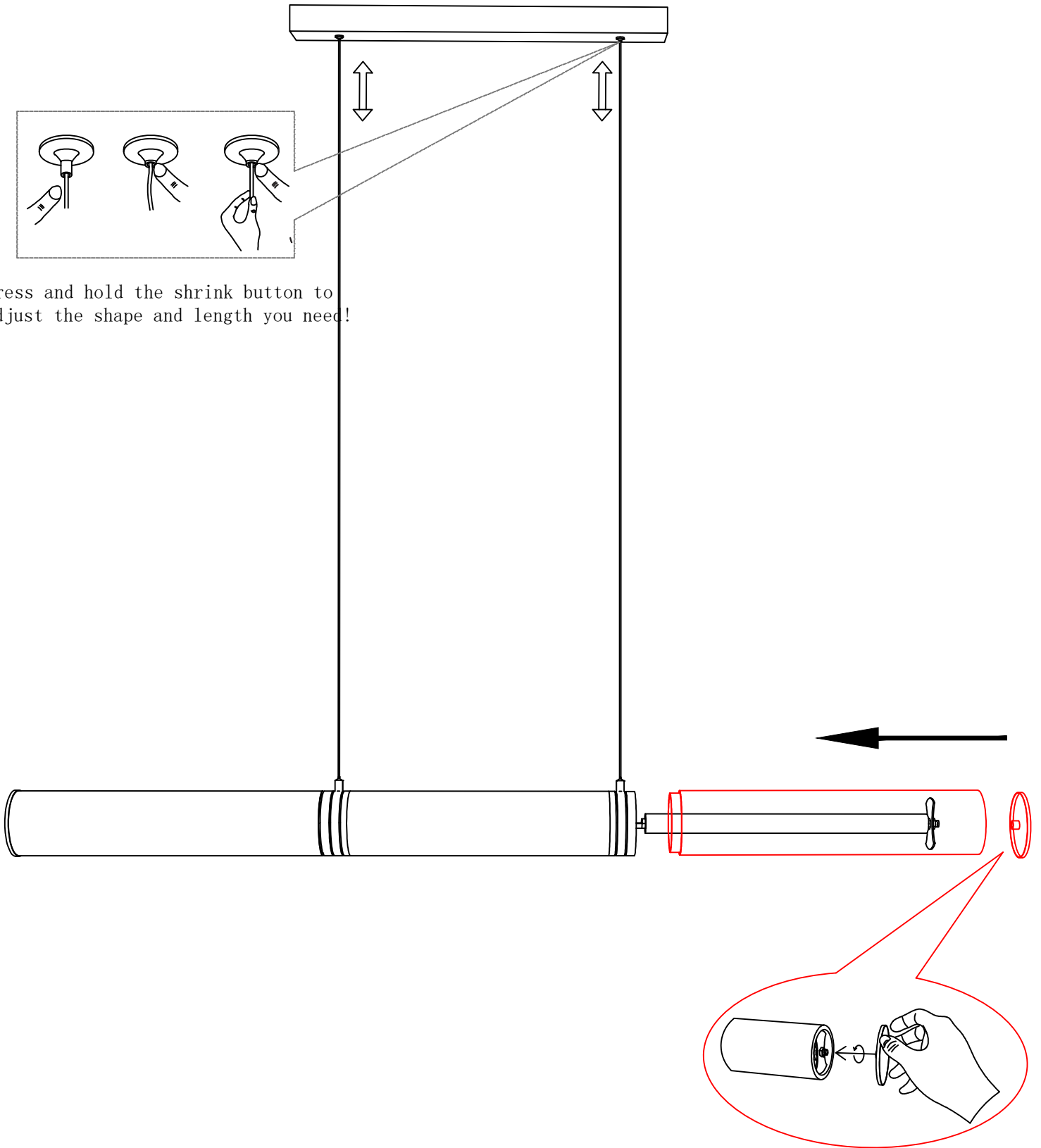
# Step 3



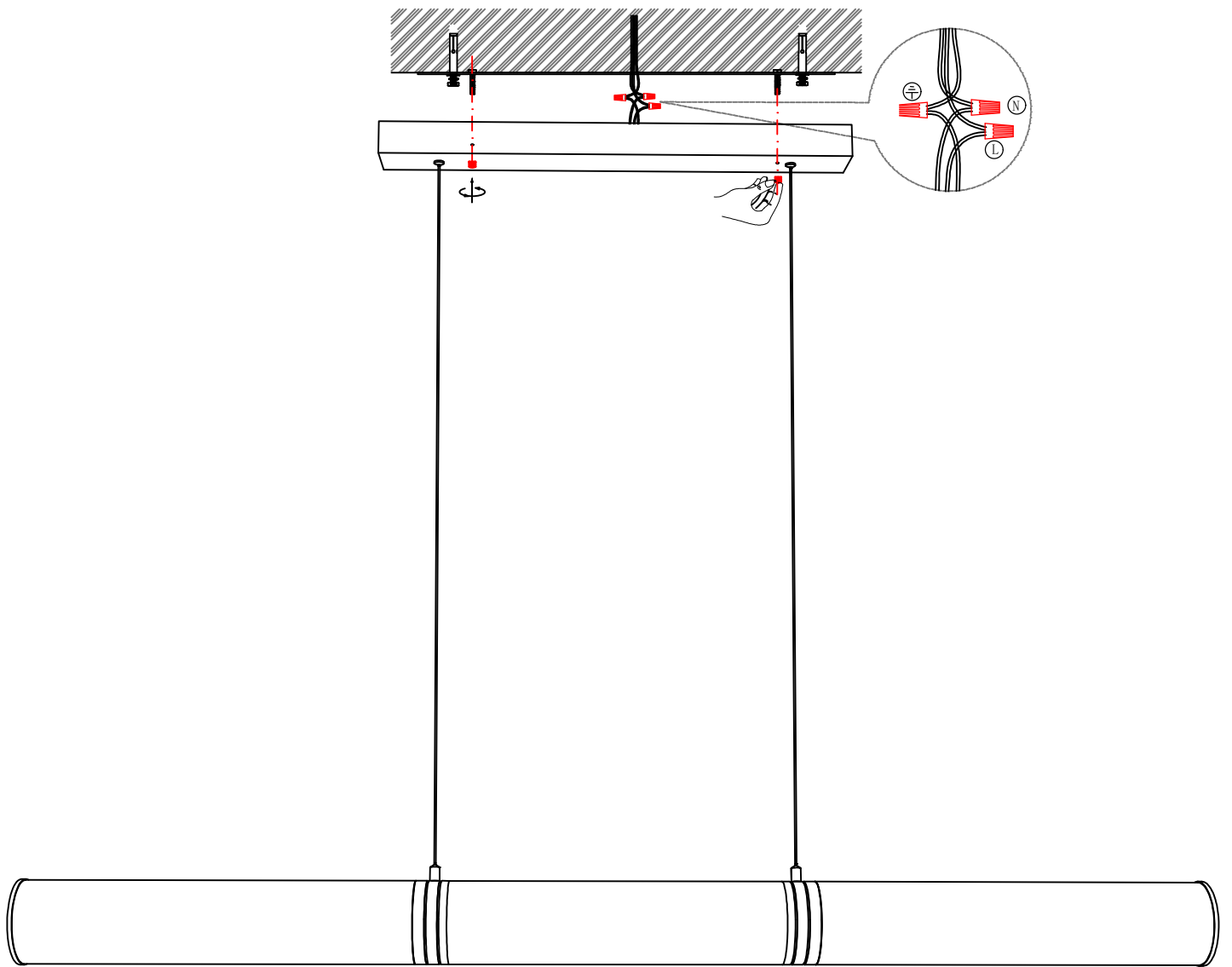
# Step 4



Press and hold the shrink button to adjust the shape and length you need!



# Step 5



No matter what problems or questions you encounter during the installation or use of the chandelier, please feel free to contact us, we will reply to you within 24 hours and quickly solve or answer for you!

When you leave a message to us online, please leave your order ID and case details. The more detailed and accurate descriptions you provide, the faster and more accurate solutions we will offer!



## SAFETY INSTRUCTIONS

These instructions are provided for your safety. It is very important that you have read them completely before beginning the installation of your fixture.

1. We recommend installation by a licensed electrician.
2. This fixture is an LED light source
3. If any special control devices are used with this fixture, follow the instructions carefully to assure full compliance with N.E.C. requirements. If there are any questions, contact a qualified electrical contractor.
4. Please make sure shut off the main electrical supply before installation changing bulbs or cleaning light fixture.



## WARNINGS

This is not a toy and the product has no play value.  
Keep at least 3 ft away from cribs, bassinets, and toddler beds.  
Keep out of reach of children under 3 years old.



## PREPARATION

1. Please prepare the LED bulb of the packing in advance.
2. Please keep the installation place clean and tidy to avoid missing tiny accessories.