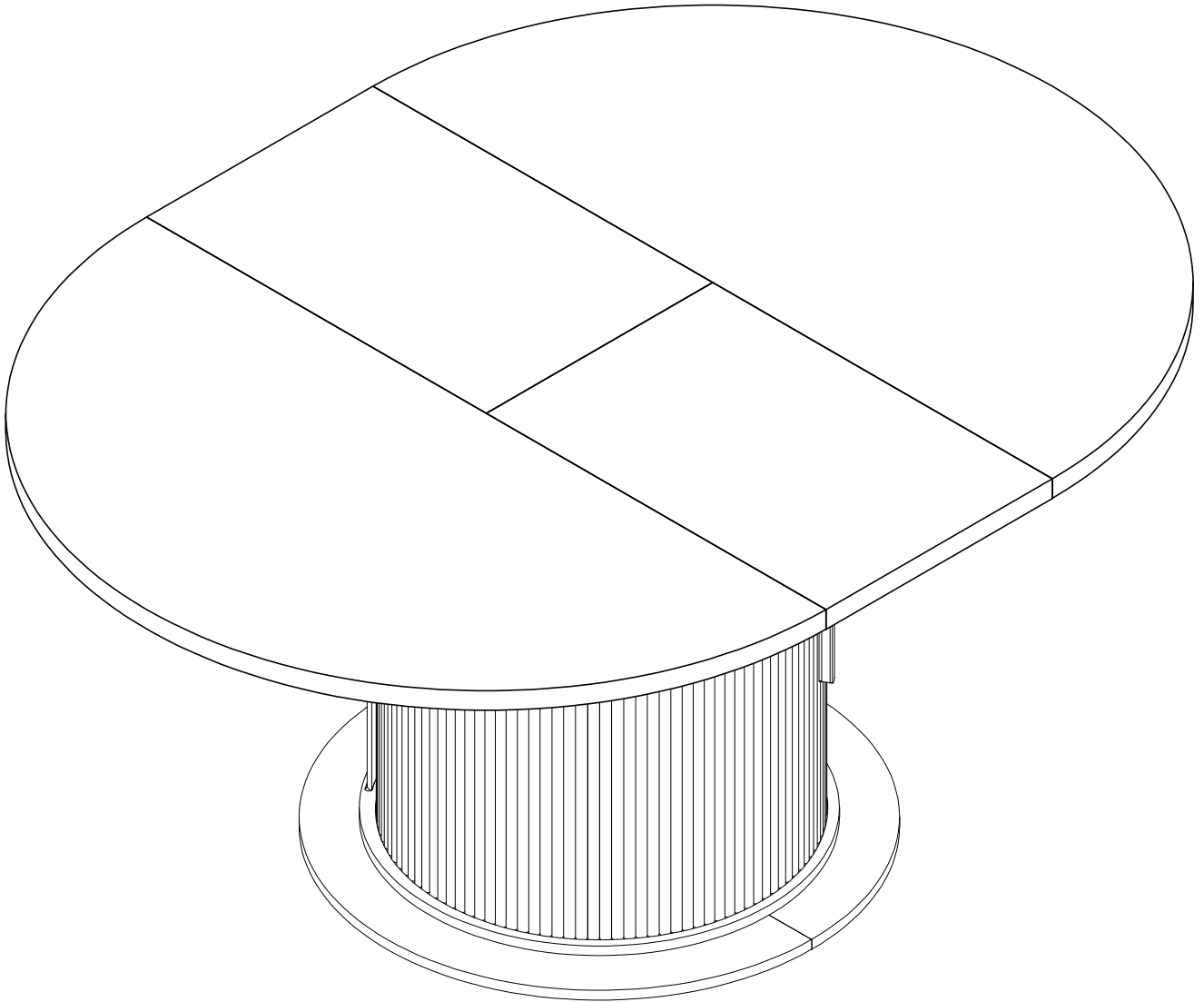
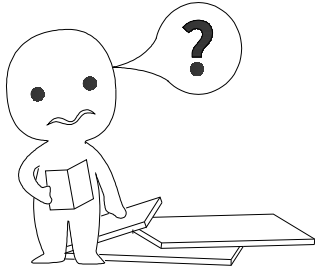


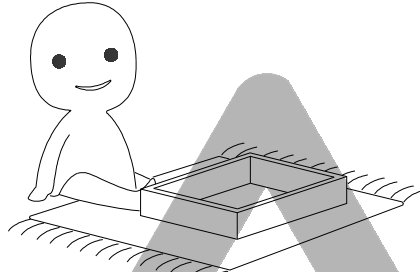
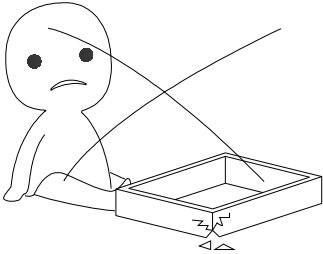
Dining-Table





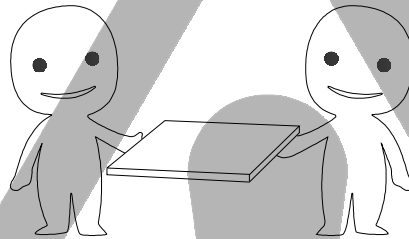
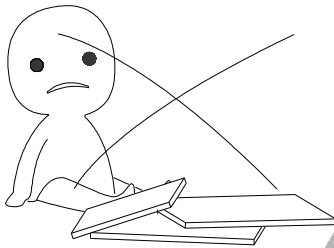
IMPORTANT INFORMATION!

please read the entire manual before starting to assemble and/or using this product. follow the manual thoroughly and keep it for further reference.



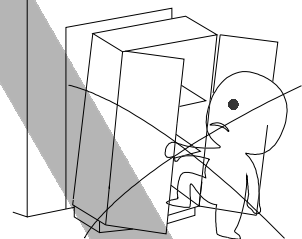
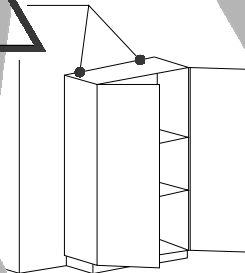
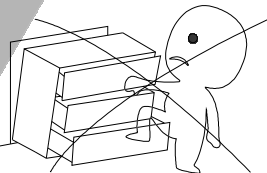
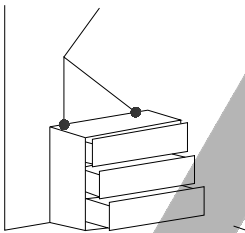
AVOID SCRATCHES!

In order to avoid scratching this furniture should be assembled on a soft layer- could be a rug.



IMPROVE EFFICIENCY !

Try to find a partner to install with you, which can speed up the installation efficiency and shorten the time.



ANTI-TOPPLE WARNING !

Overtured furniture can cause serious or fatal crush injuries. To prevent tipping over, be sure to use the wall attachment, if not included with this product. Please purchase the wall attachment that fit your wall. If unsure, seek professional advice. Please read and follow each step of the instructions carefully.

IMPORTANT !

It is important that any product which is assembled using any kind of screw is re-tightened 2 weeks after assembly, and once every 3 months - in order to assure stability through-out the lifespan of the product.

For regular maintenance and cleaning of the product, for the frame, please use a rag dipped in neutral detergent to fully wipe it, and then dry it with a clean rag. For glass materials, wipe with a rag dampened with water glass cleaner, and then dry with a dry rag.

Do not use an electric screwdriver, and do not use too much force when installing, because the board is easy to break.

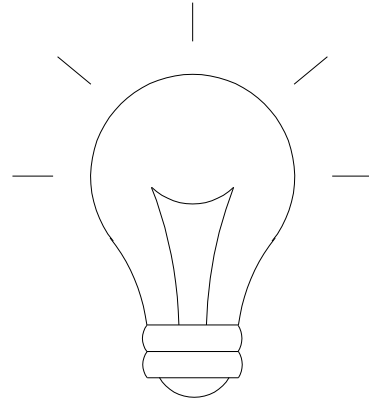
'SAFETY TIPS:

Static charge may cause dust on foam- clean with a dry or damp cloth.

Small foam strands may represent - handle gently and dispose of properly.

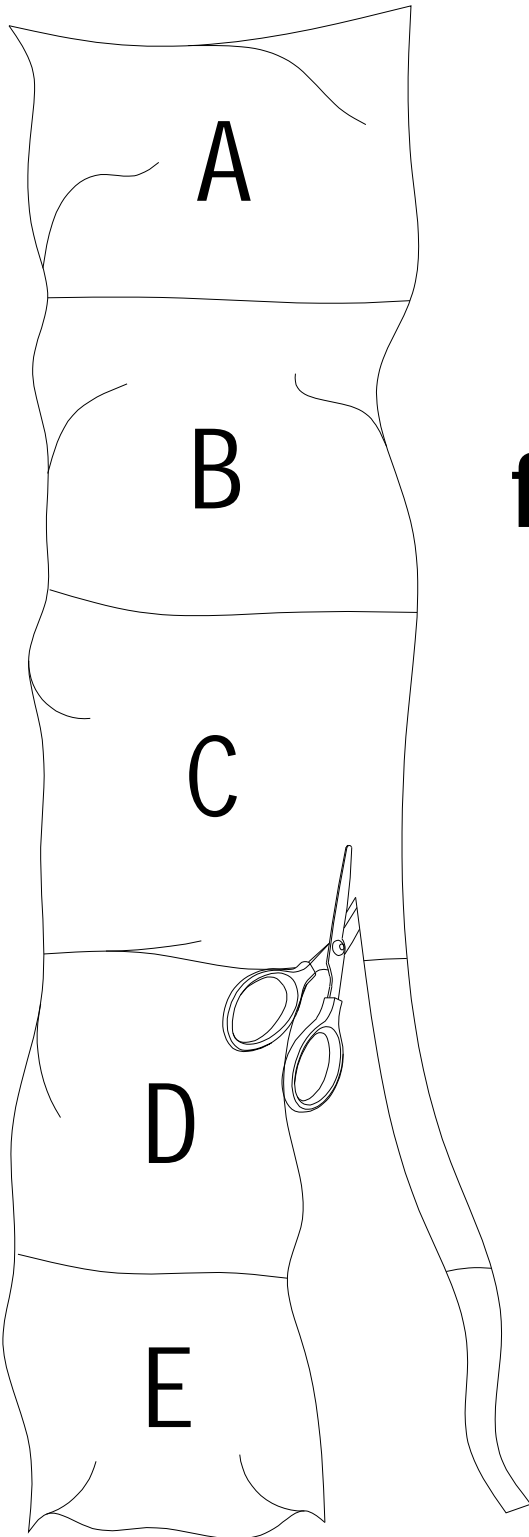
Do not burn or incinerate.

Check local recycling guidelines.



friendly reminder

To avoid errors and confusion during the installation of accessories, use the type and quantity of hardware accessories according to the installation procedure described in the instructions. First, unroll the accessories bag and lay out the hardware accessories, cut holes in the side, and take out the hardware accessories

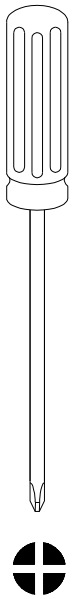




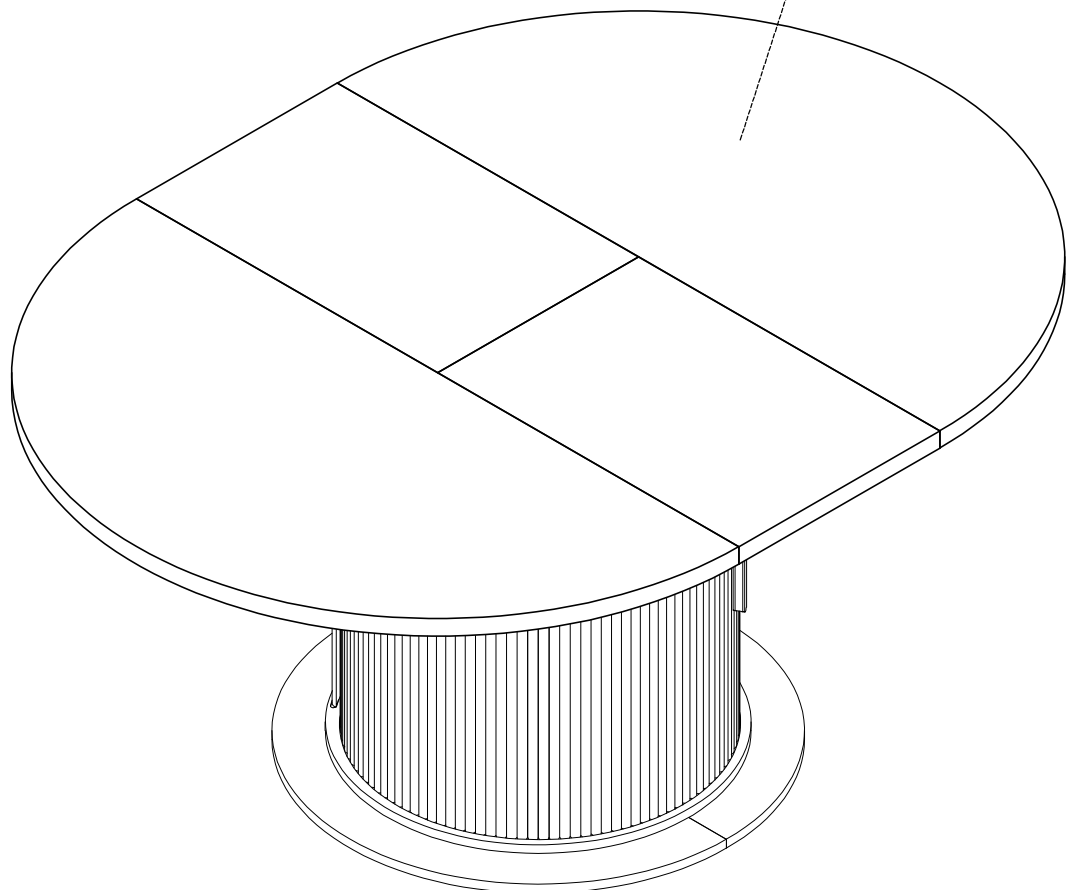
Weight Limitation

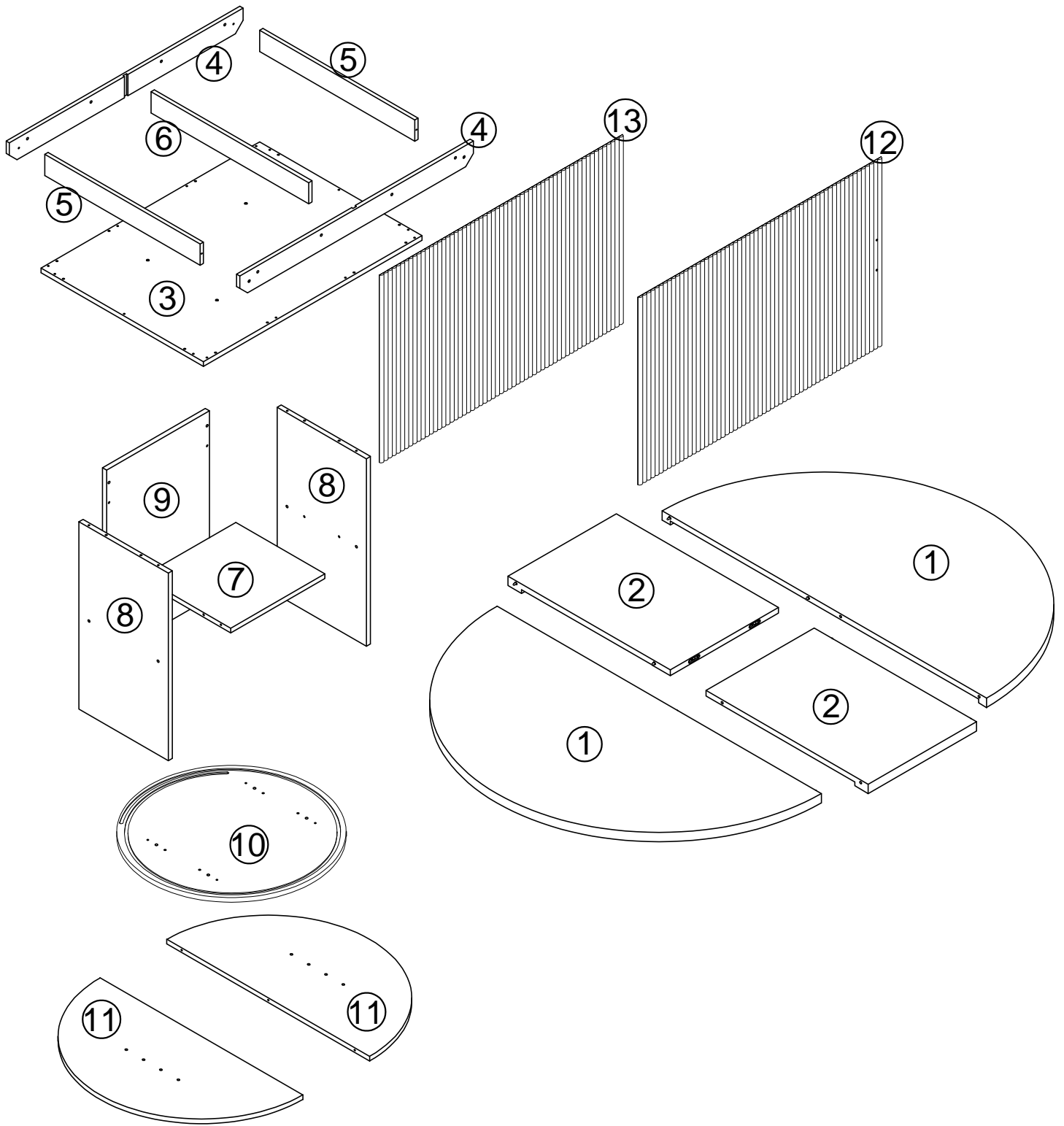
55 lb lift top status **110 lb** Top

Tools Needed (Not included)



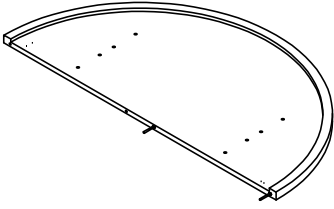
Maximum Load
110 LB / 50 Kg



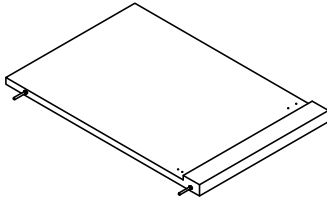


PACKAGE CONTENT

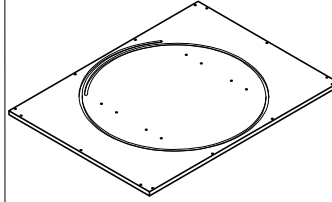
① x2



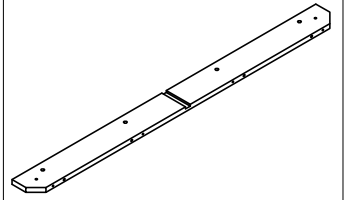
② x2



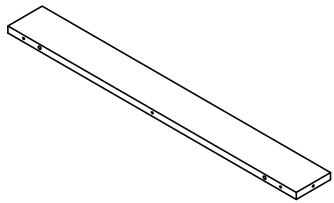
③ x1



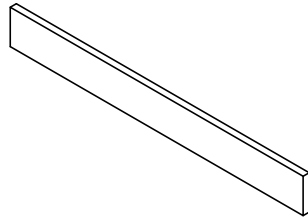
④ x2



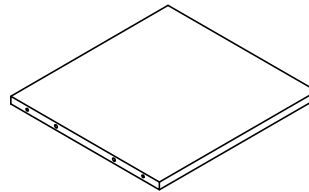
⑤ x2



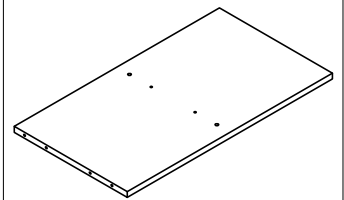
⑥ x1



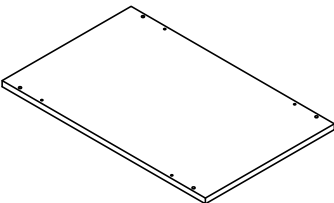
⑦ x1



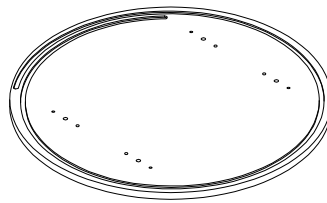
⑧ x2



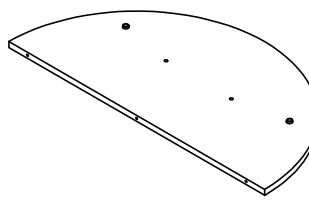
⑨ x1



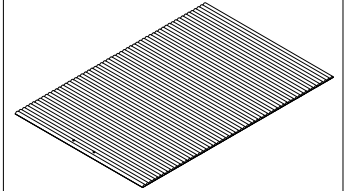
⑩ x1



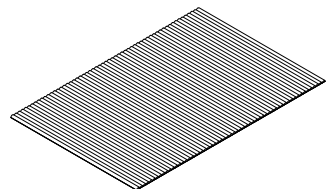
⑪ x2



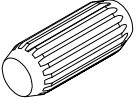
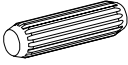

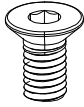
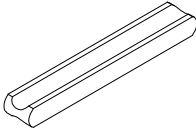
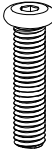
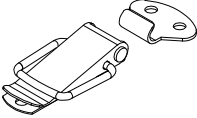
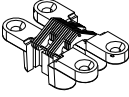

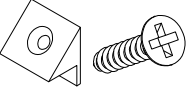
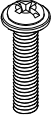

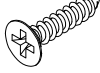
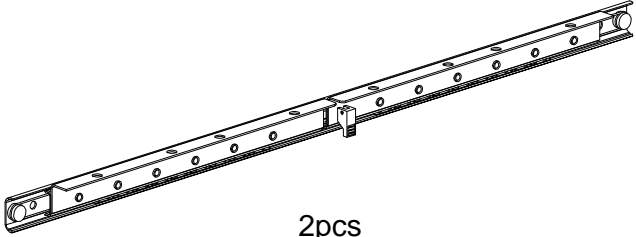
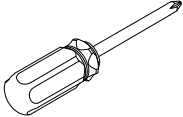
⑫ x1



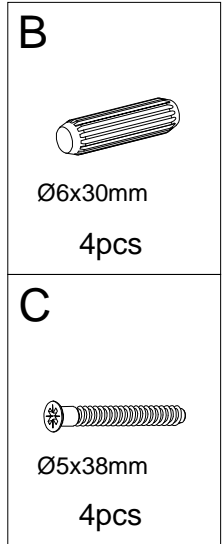
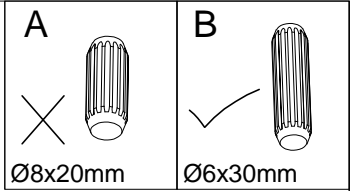
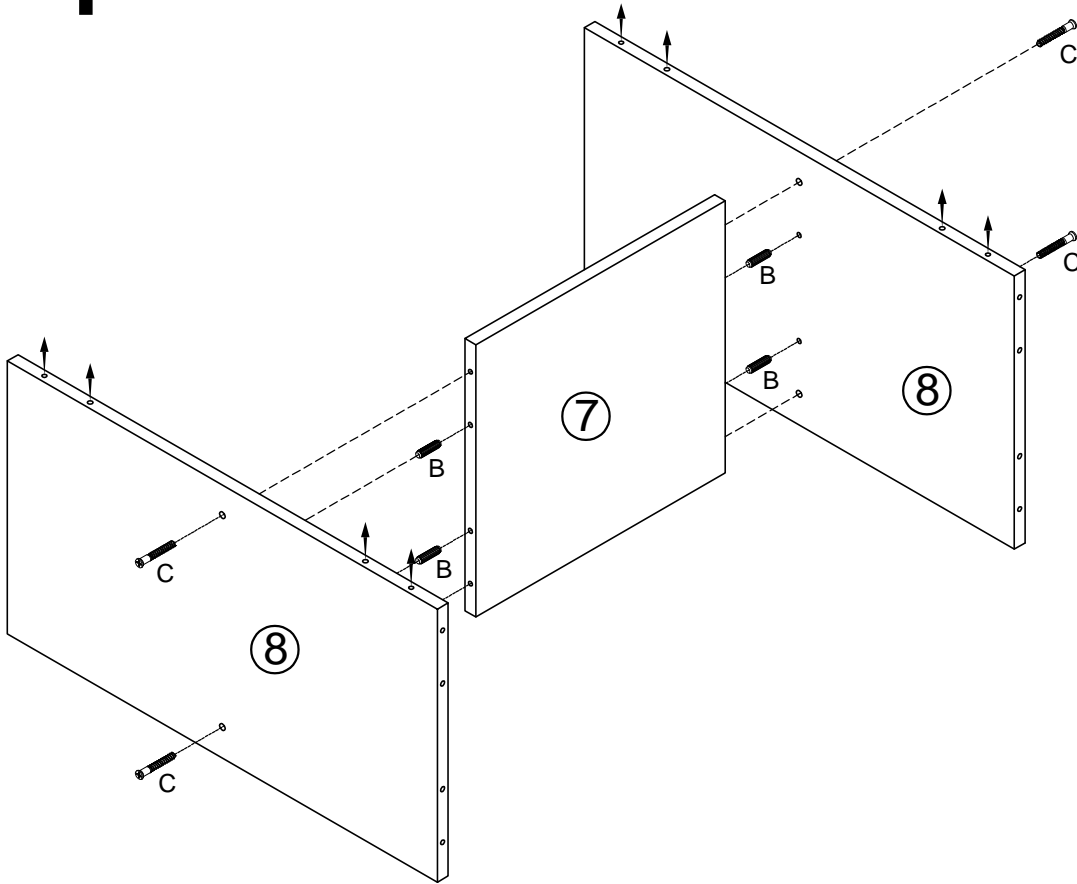
⑬ x1



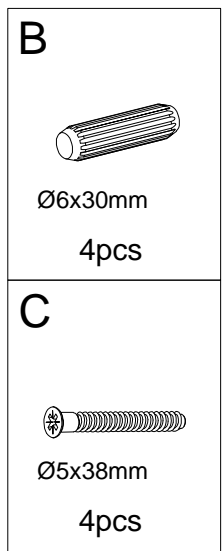
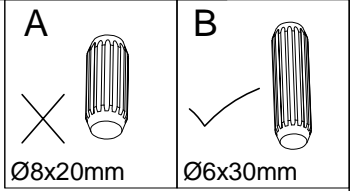
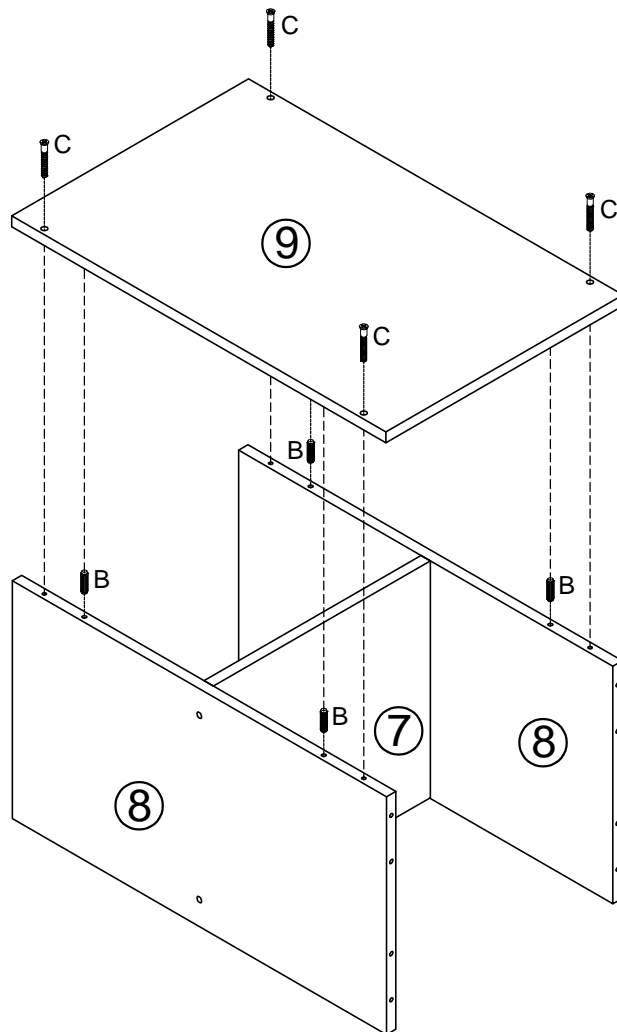
PACKAGE CONTENT

<p>A</p>  <p>Ø8x20mm 4pcs+1</p>	<p>B</p>  <p>Ø6x30mm 31pcs+3</p>	<p>C</p>  <p>Ø5x38mm 34pcs+3</p>	<p>D</p>  <p>M6*12mm 24pcs+2</p>	<p>E</p>  <p>1pcs</p>
<p>F</p>  <p>M6*25mm 4pcs+1</p>	<p>G</p>  <p>4pcs</p>	<p>H</p>  <p>2pcs</p>	<p>I</p>  <p>Ø4*35mm 8pcs+1</p>	
<p>K</p>  <p>Ø3.5*20mm 2pcs+1</p>	<p>L</p>  <p>M4*10mm 2pcs+1</p>	<p>M</p>  <p>1pcs</p>	<p>N</p>  <p>Ø3*14mm 16pcs+1</p>	
<p>S</p>  <p>2pcs</p>			 <p>1pcs</p>	

1

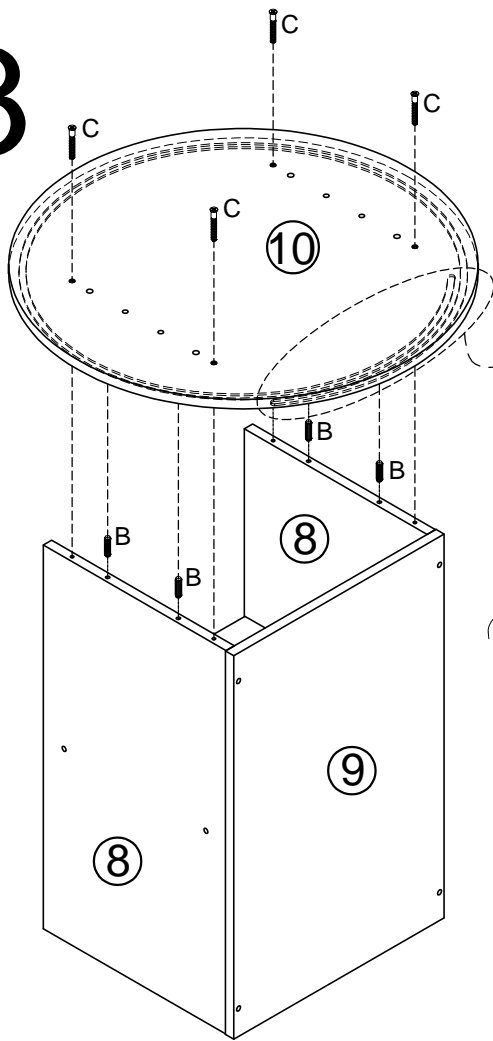


2



8

3

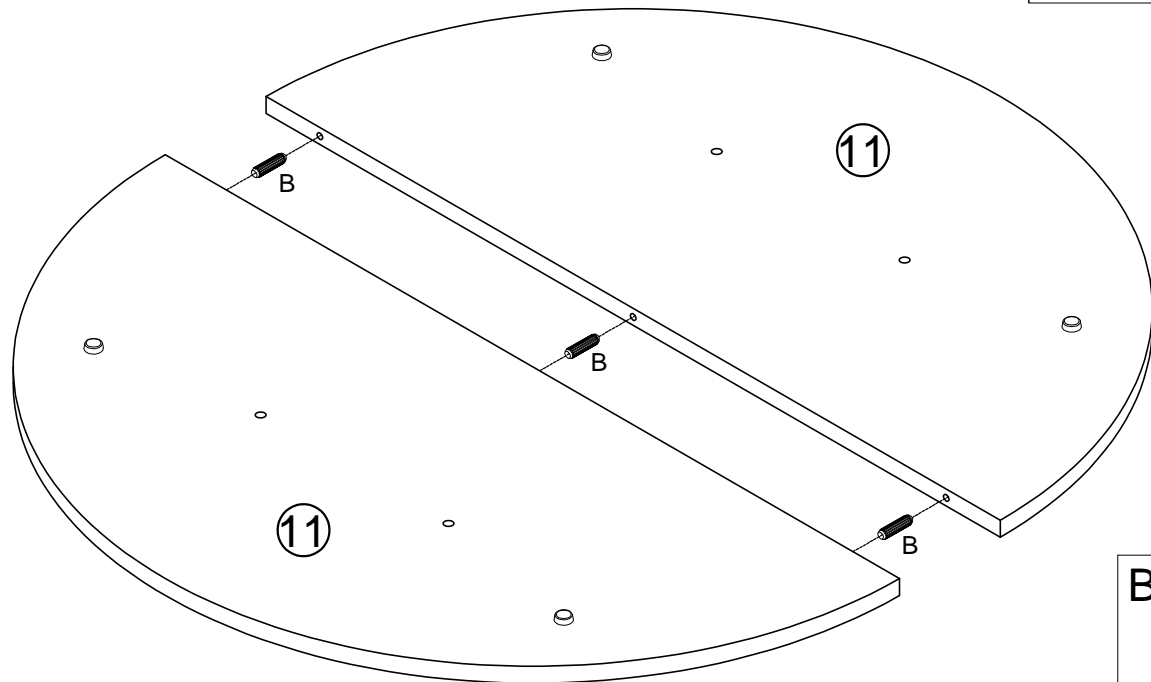


Pay attention to the location of your fingers

A Ø8x20mm	B Ø6x30mm
-------------------------	-------------------------

B Ø6x30mm 4pcs	C Ø5x38mm 4pcs
---------------------------------	---------------------------------

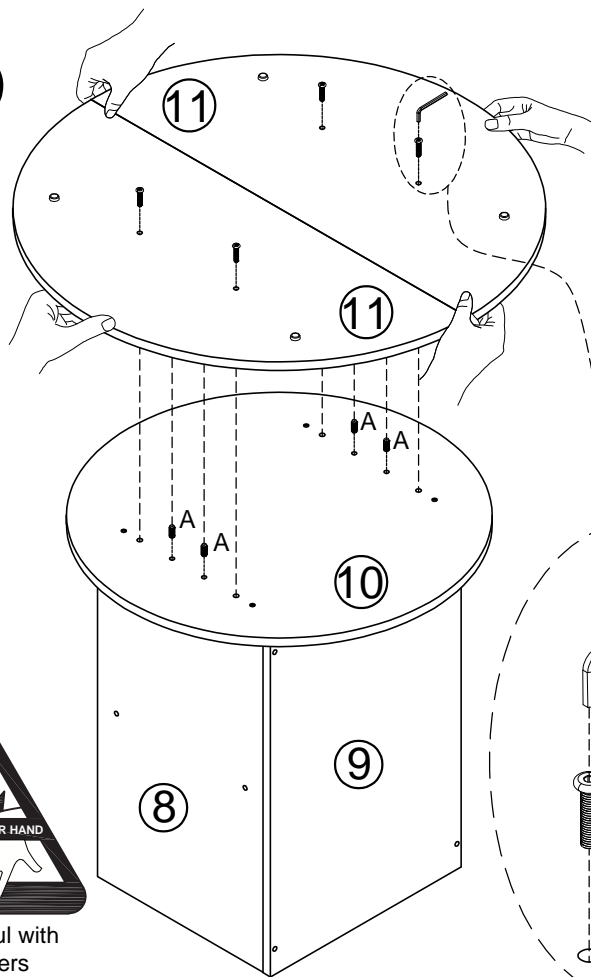
4



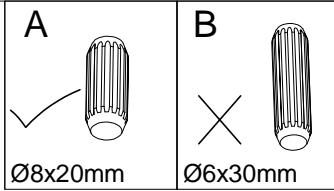
A Ø8x20mm	B Ø6x30mm
-------------------------	-------------------------

B Ø6x30mm 3pcs

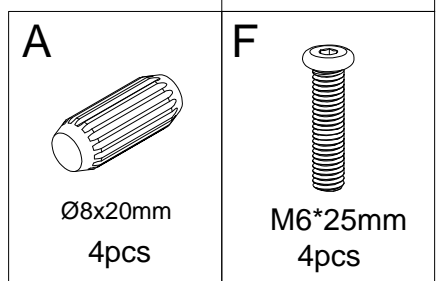
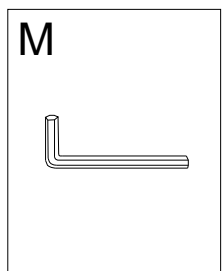
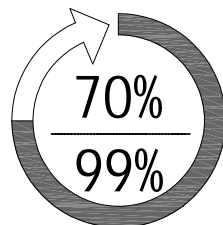
5



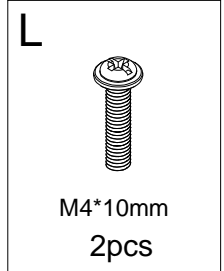
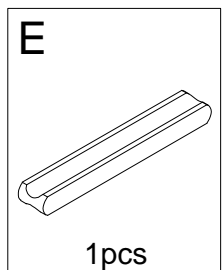
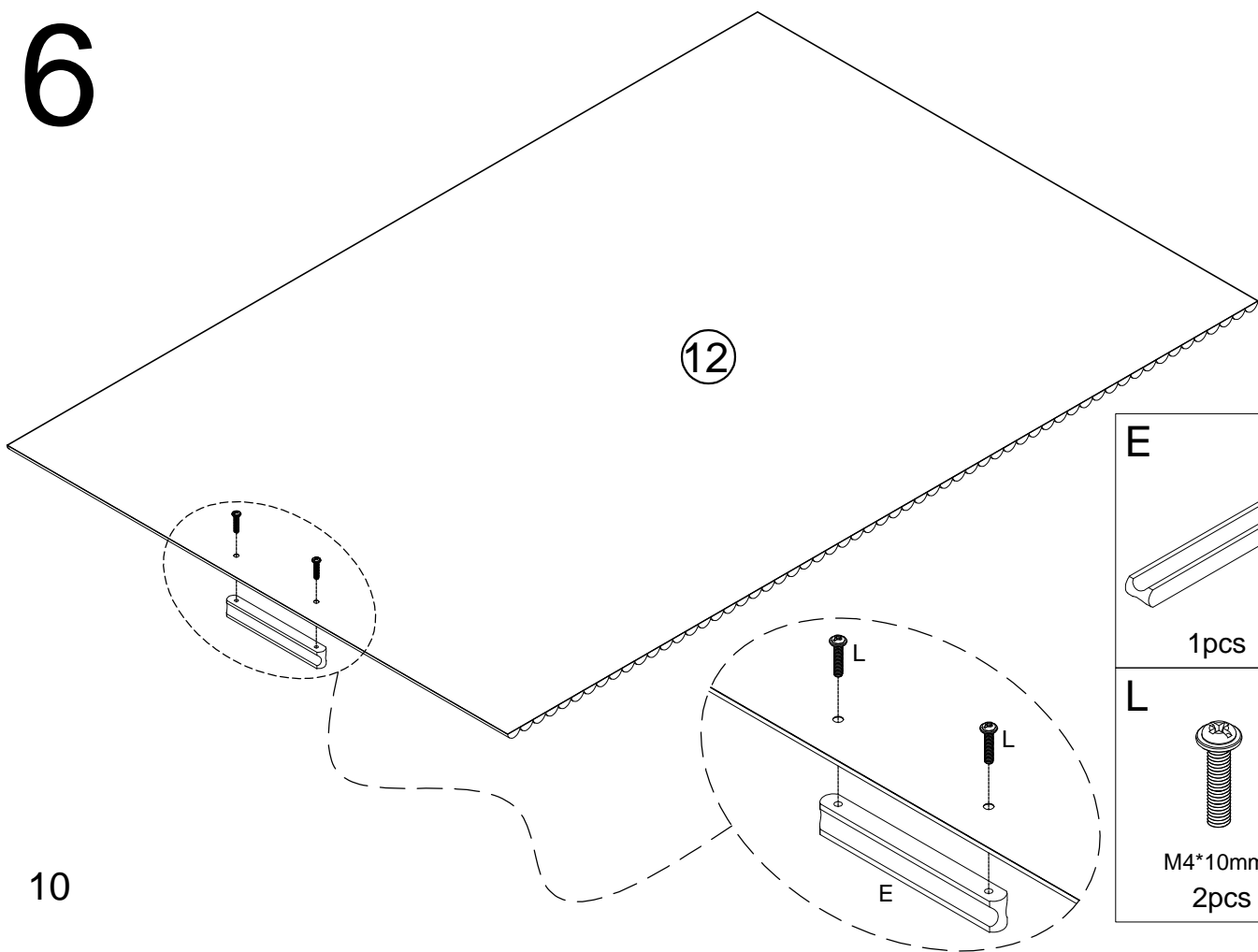
Be careful when picking up the wooden board, don't break it



First lock all screw installations by 70%, then lock uniformly by 99%

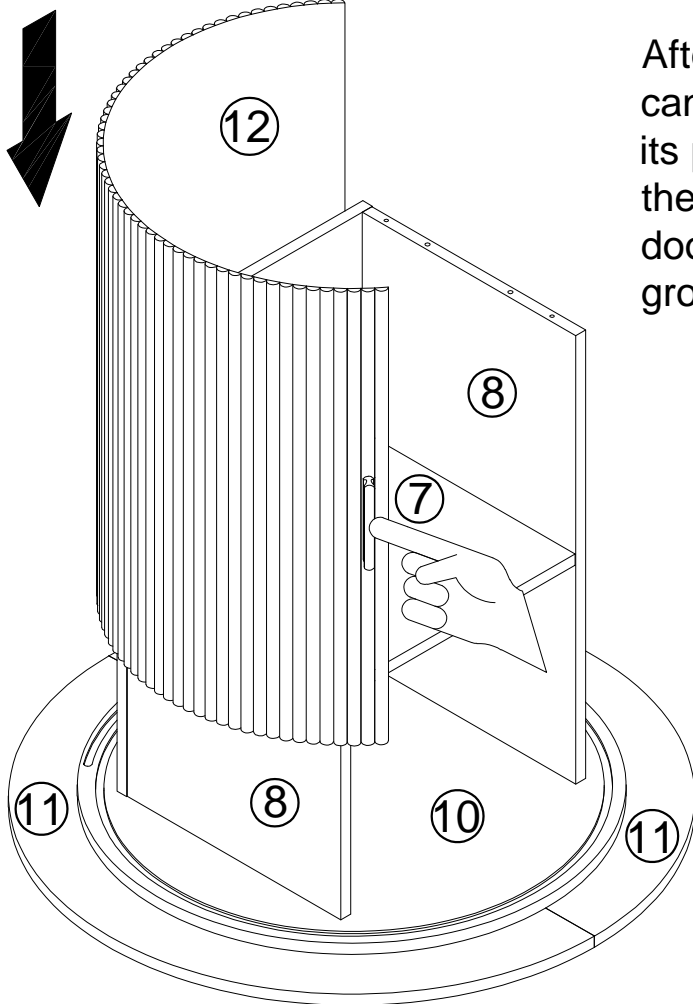


6

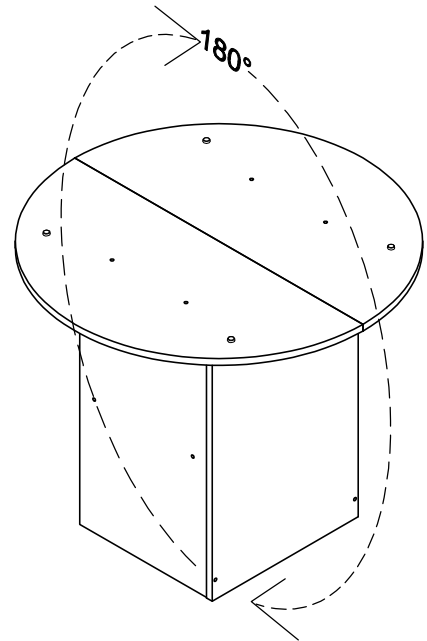


10

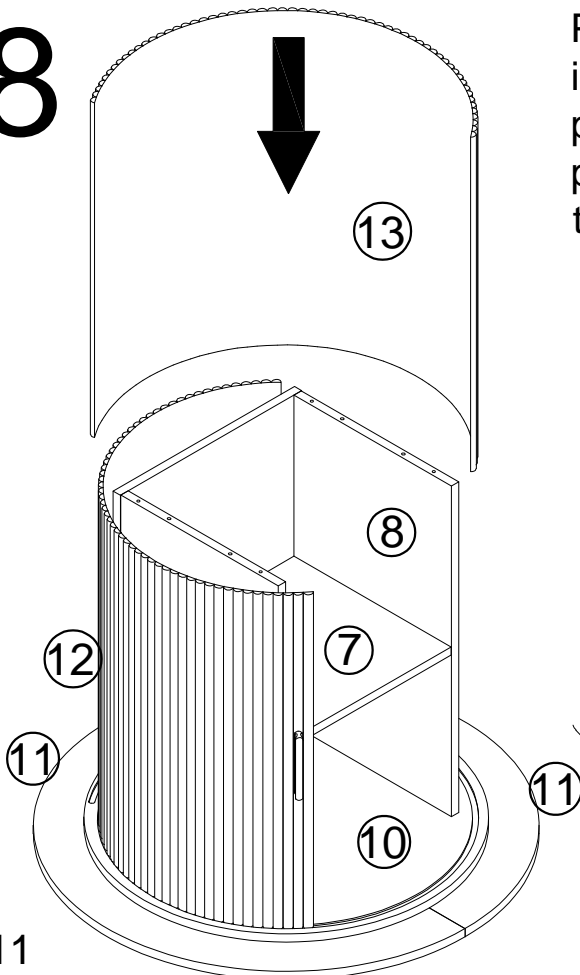
7



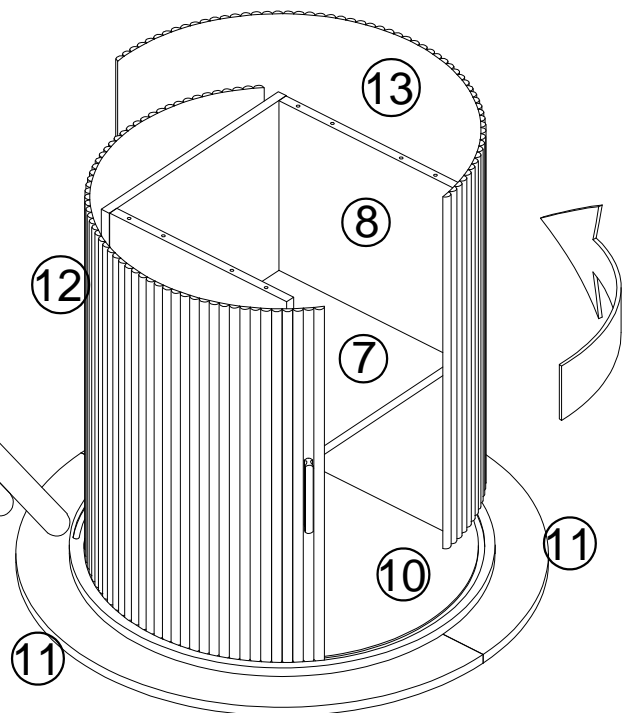
After lowering the door panel, you can move it left and right to adjust its position so that it fits better into the groove. Make sure that the door panel is fully inserted into the groove



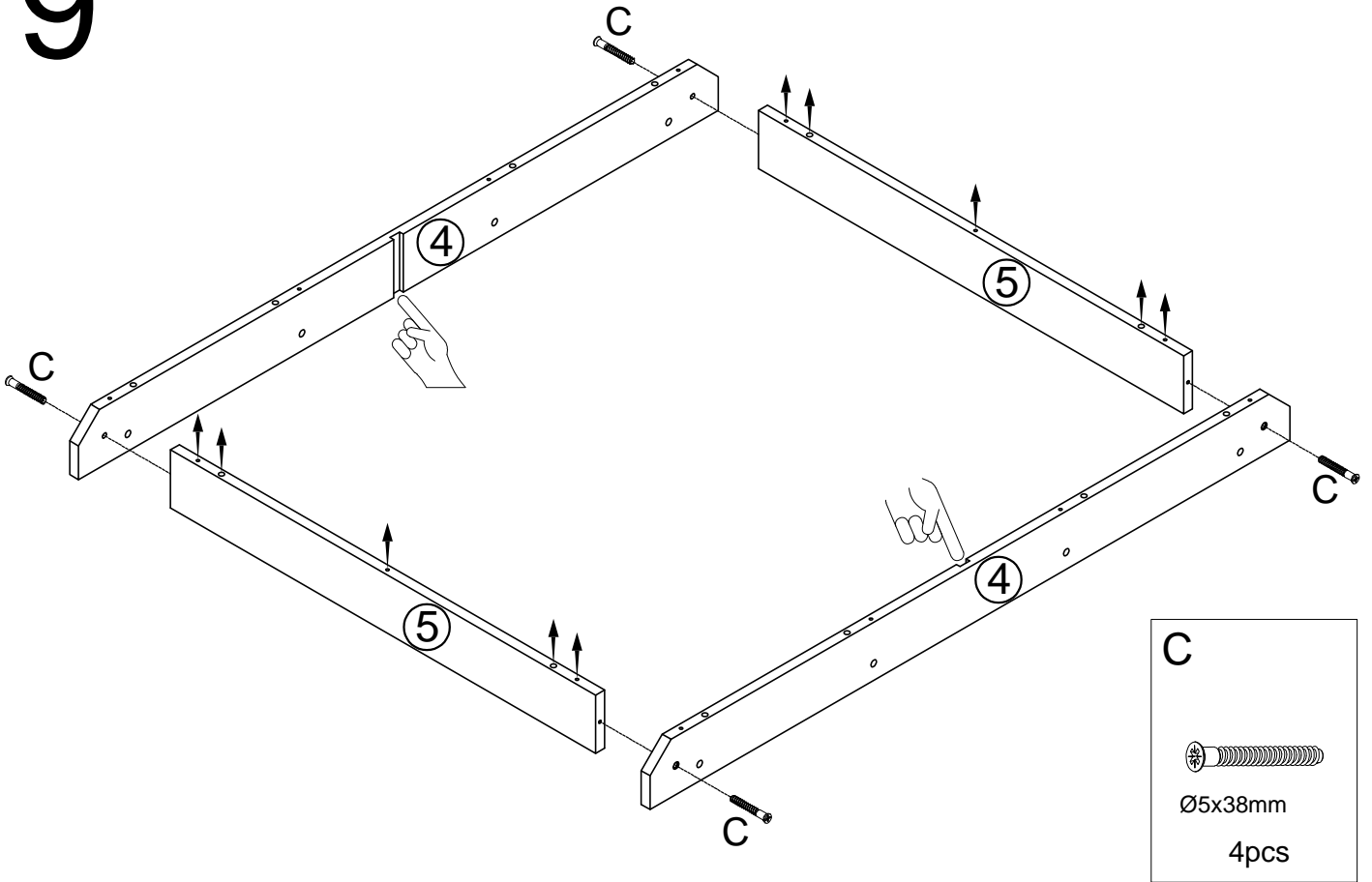
8



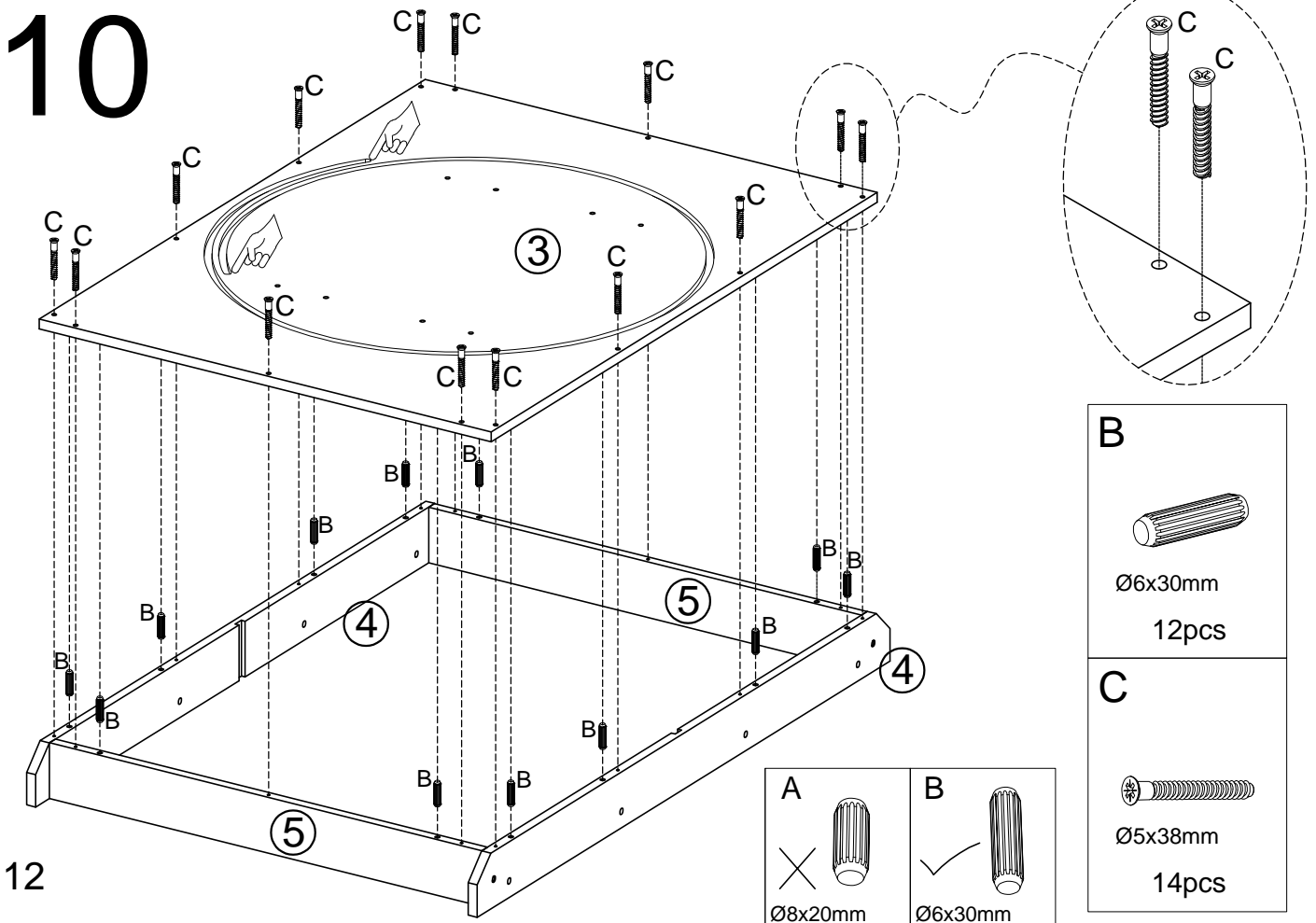
Push inward in the direction shown in the illustration. Pull left and right to adjust the position of the door panel. Once the door panel is fully inserted into the groove, pull it to the position indicated in the illustration.



9

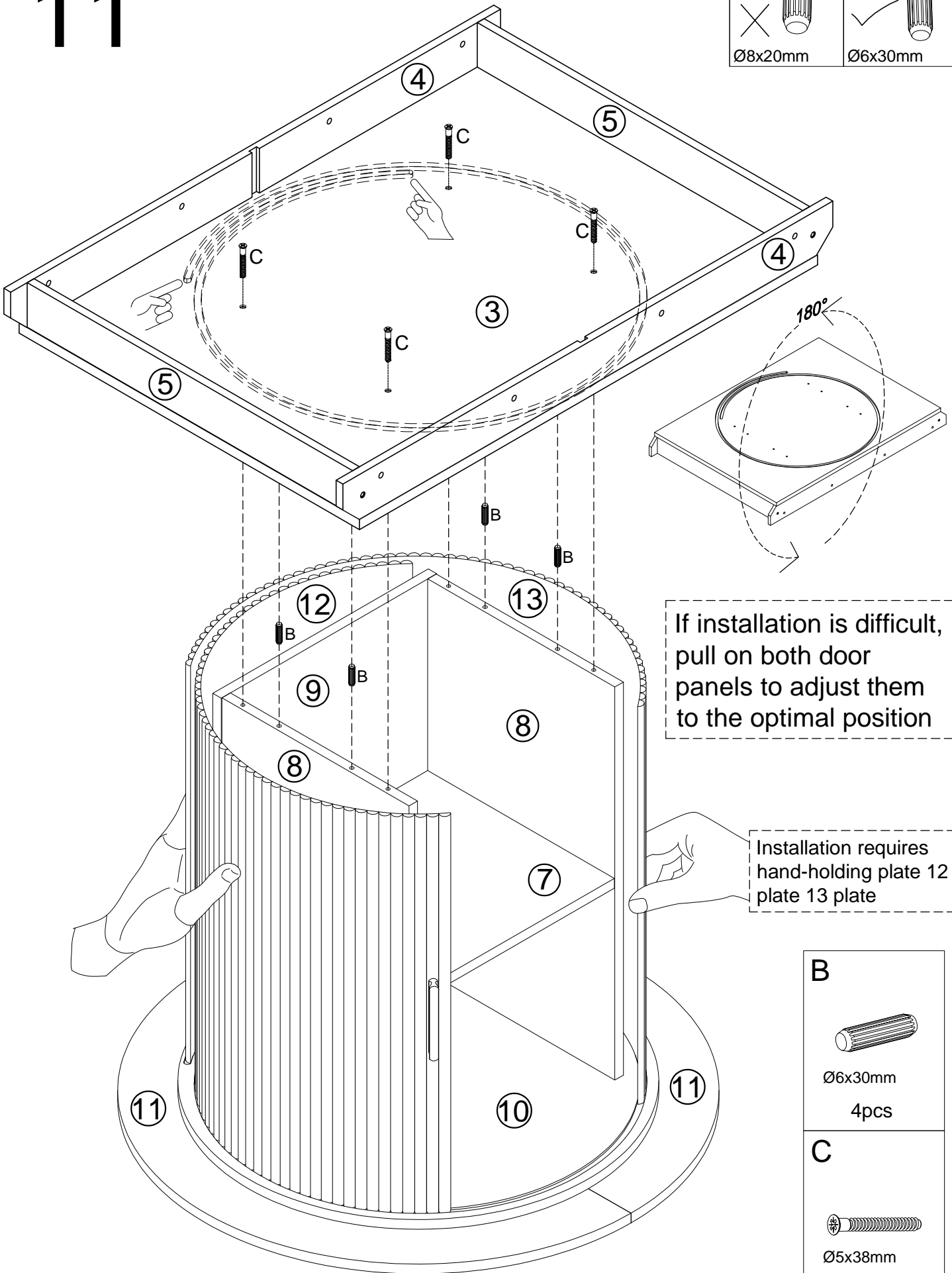
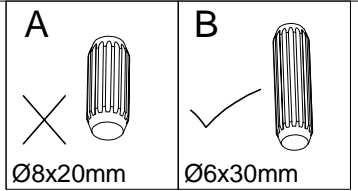


10



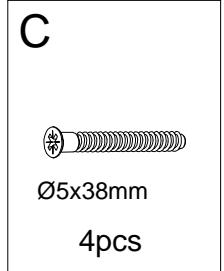
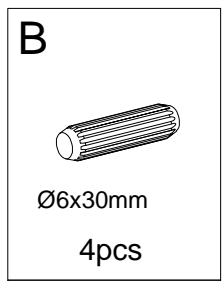
12

11



If installation is difficult,
pull on both door
panels to adjust them
to the optimal position

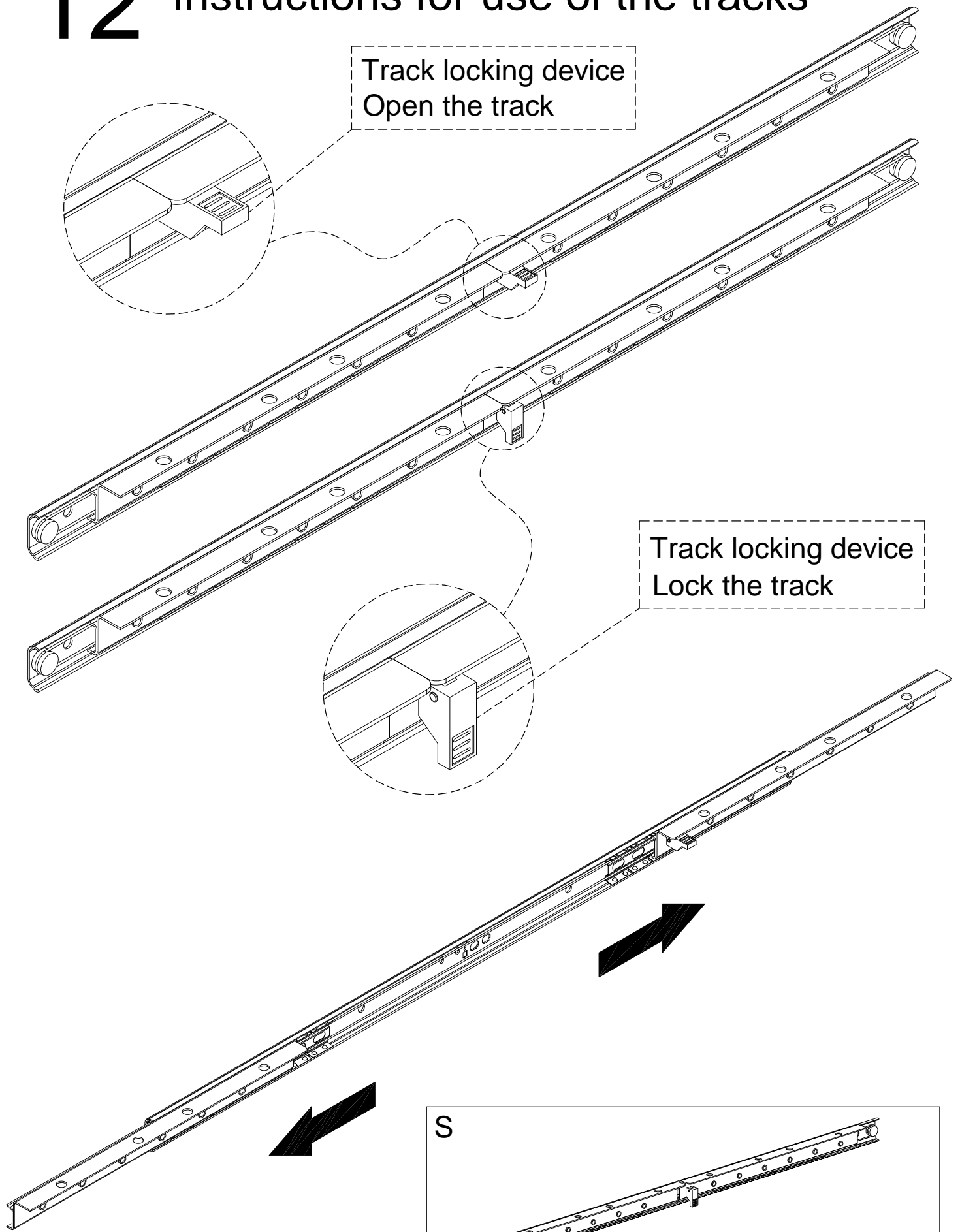
Installation requires
hand-holding plate 12
plate 13 plate



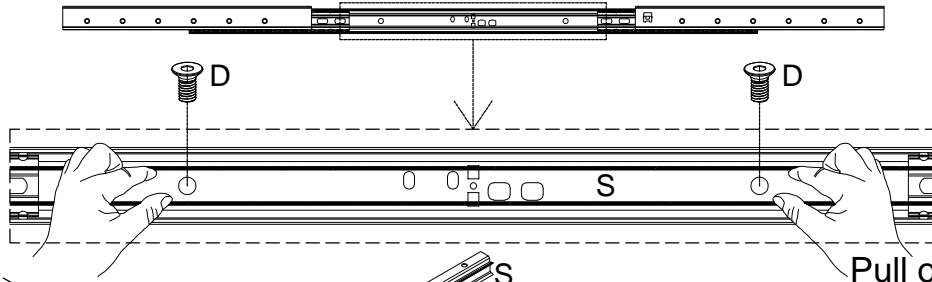
12 Instructions for use of the tracks

Track locking device
Open the track

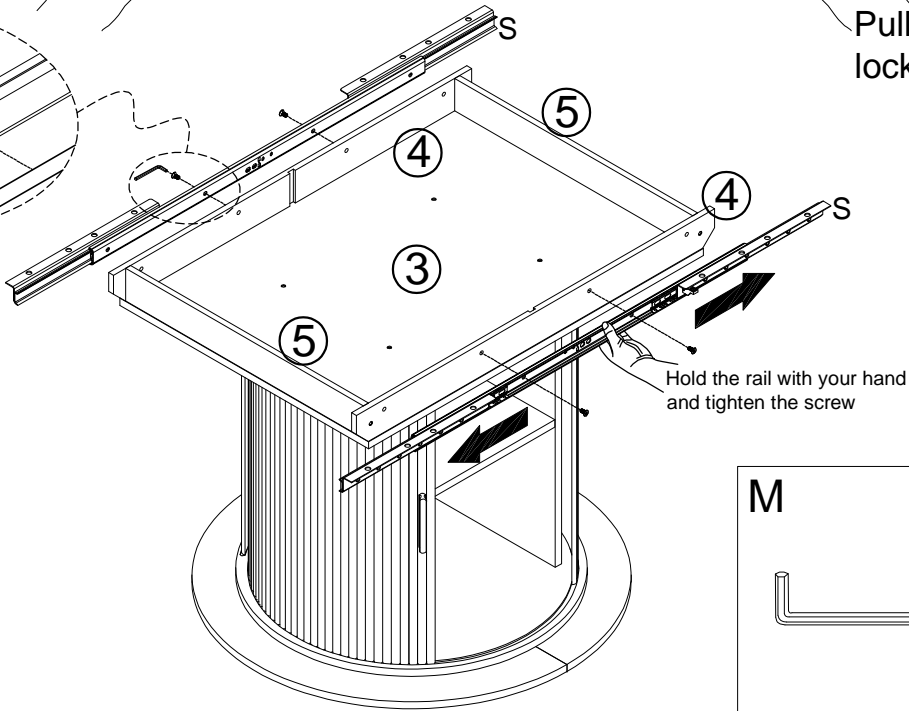
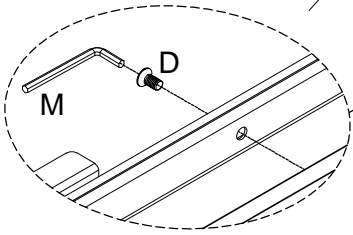
Track locking device
Lock the track



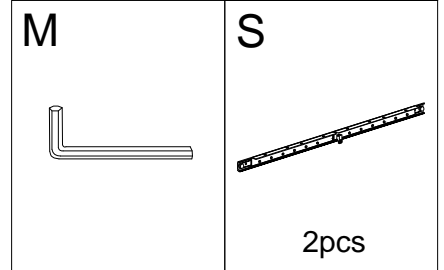
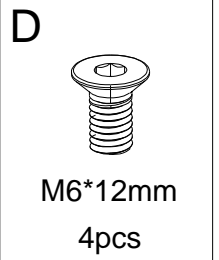
13



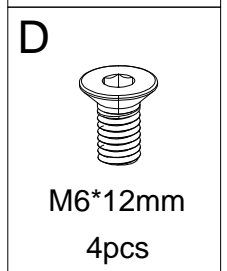
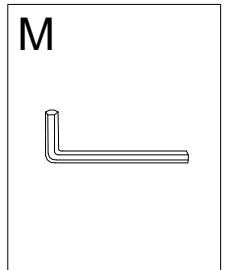
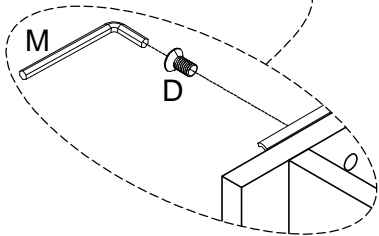
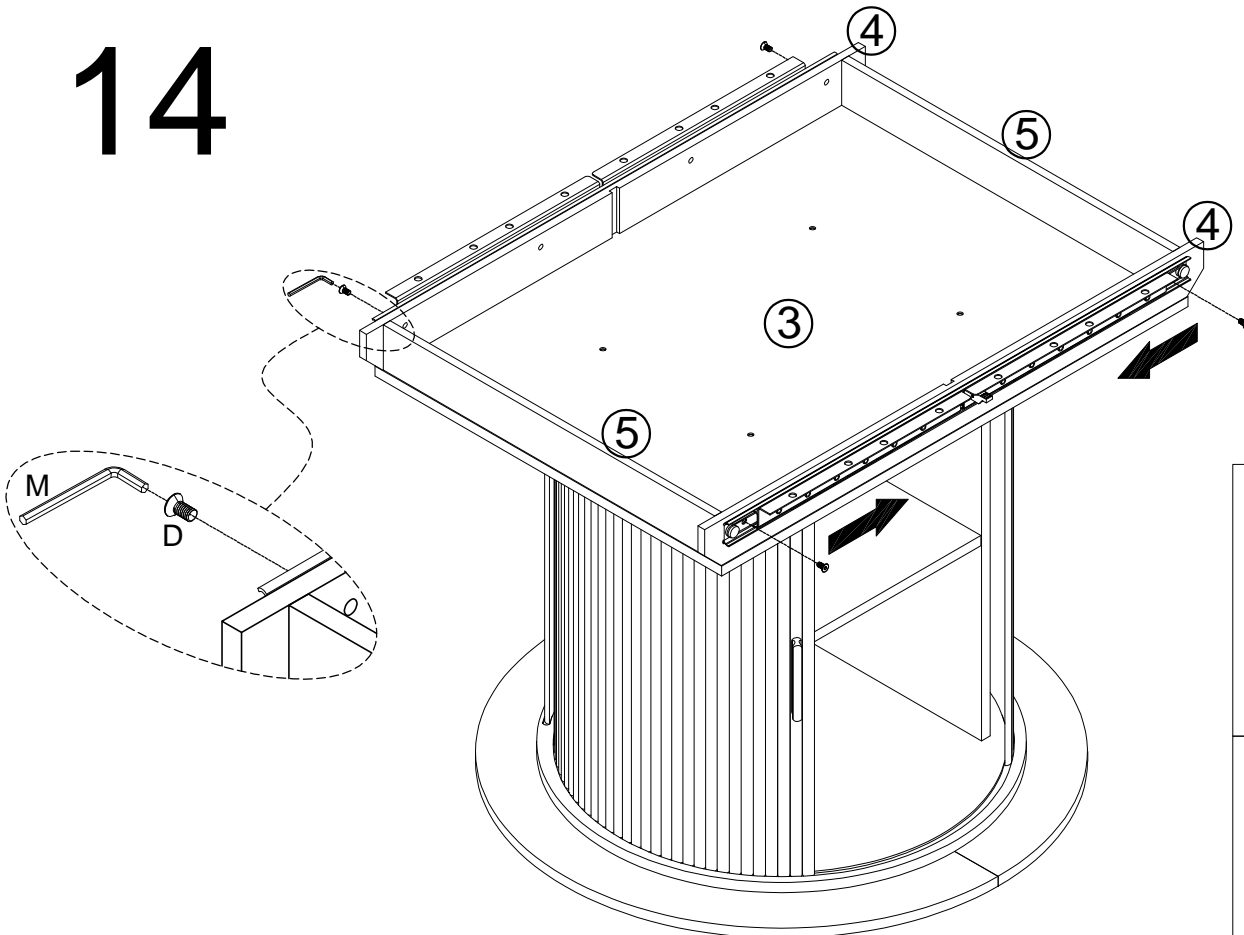
Pull open the wire lock screw by hand



Hold the rail with your hand and tighten the screw



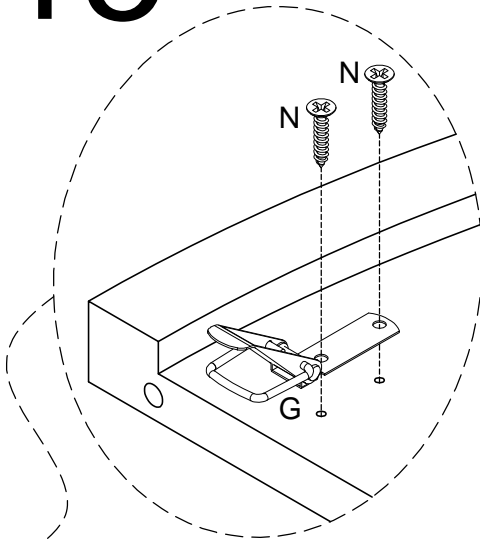
14



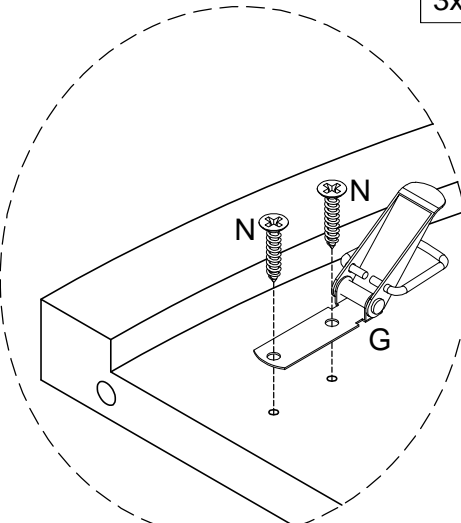
15

15

N ✓ 3x14	K ✗ 3.5x20	I ✗ 4x35
----------------	------------------	----------------

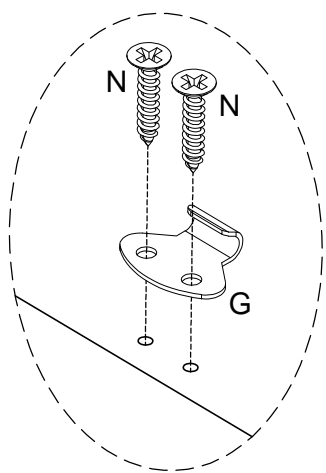
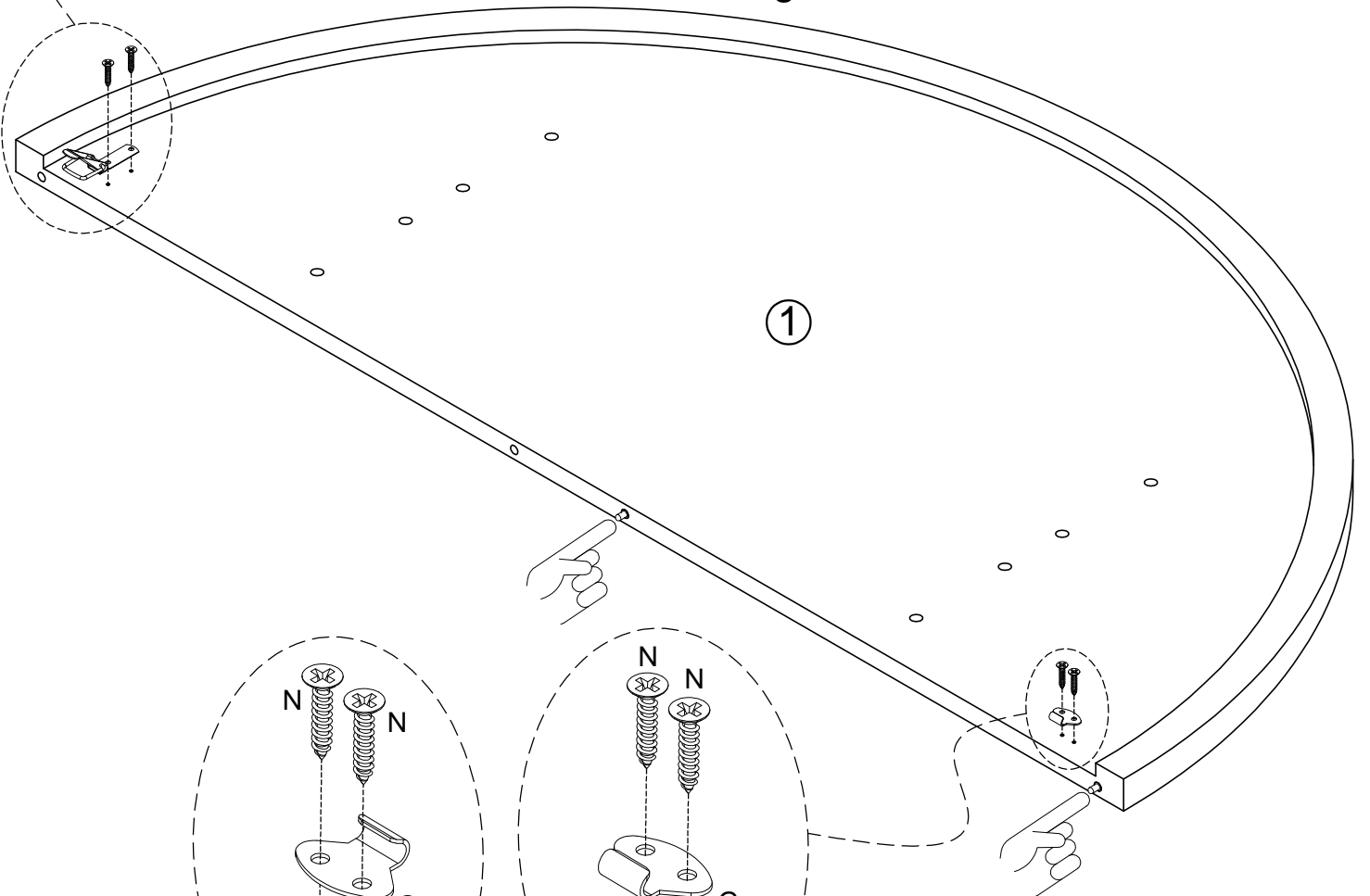


correct

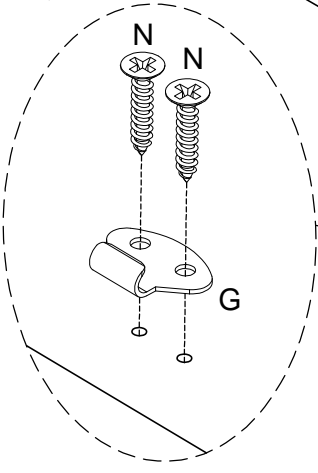


wrong

x2



wrong

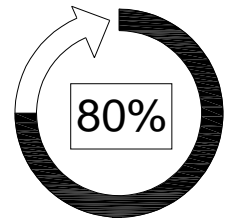


correct

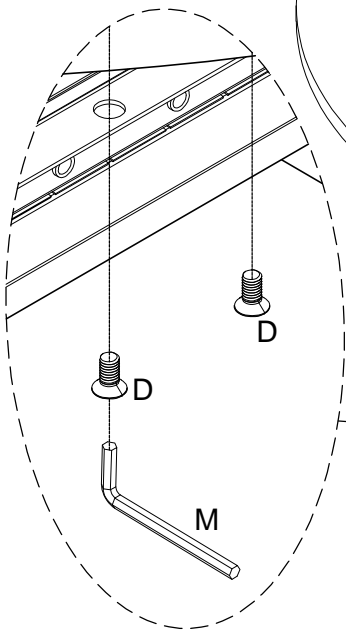
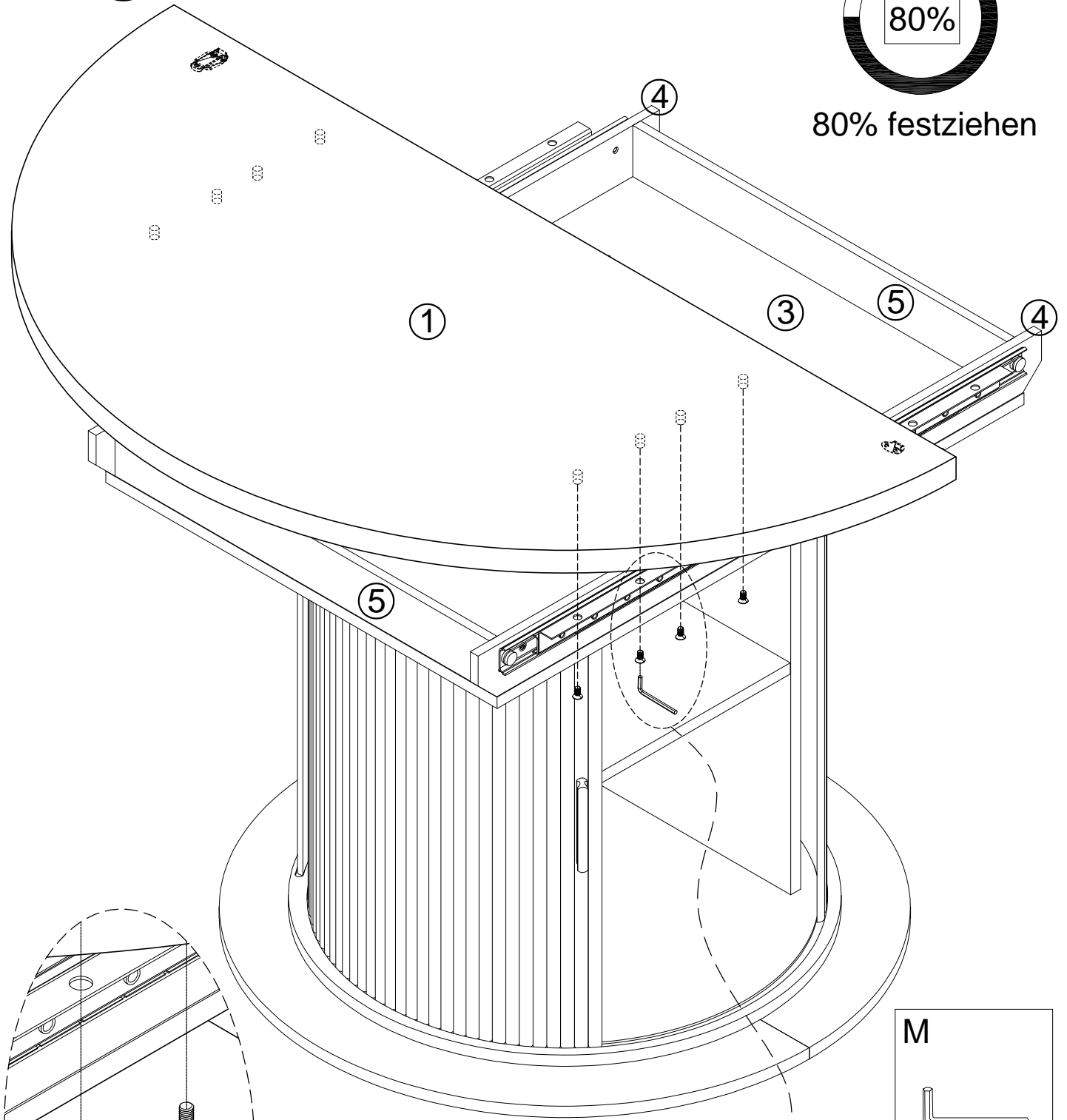
N Ø3*14mm 8pcs	G 2pcs
----------------------	-----------

16



16



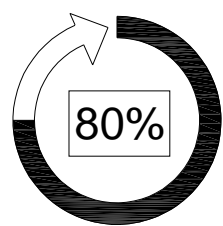
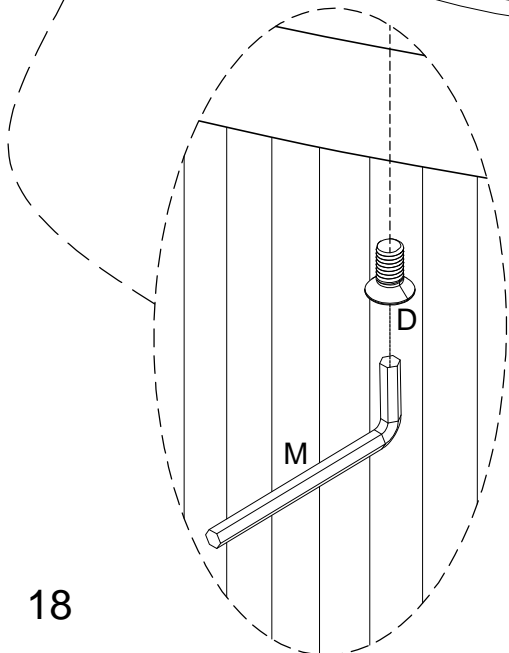
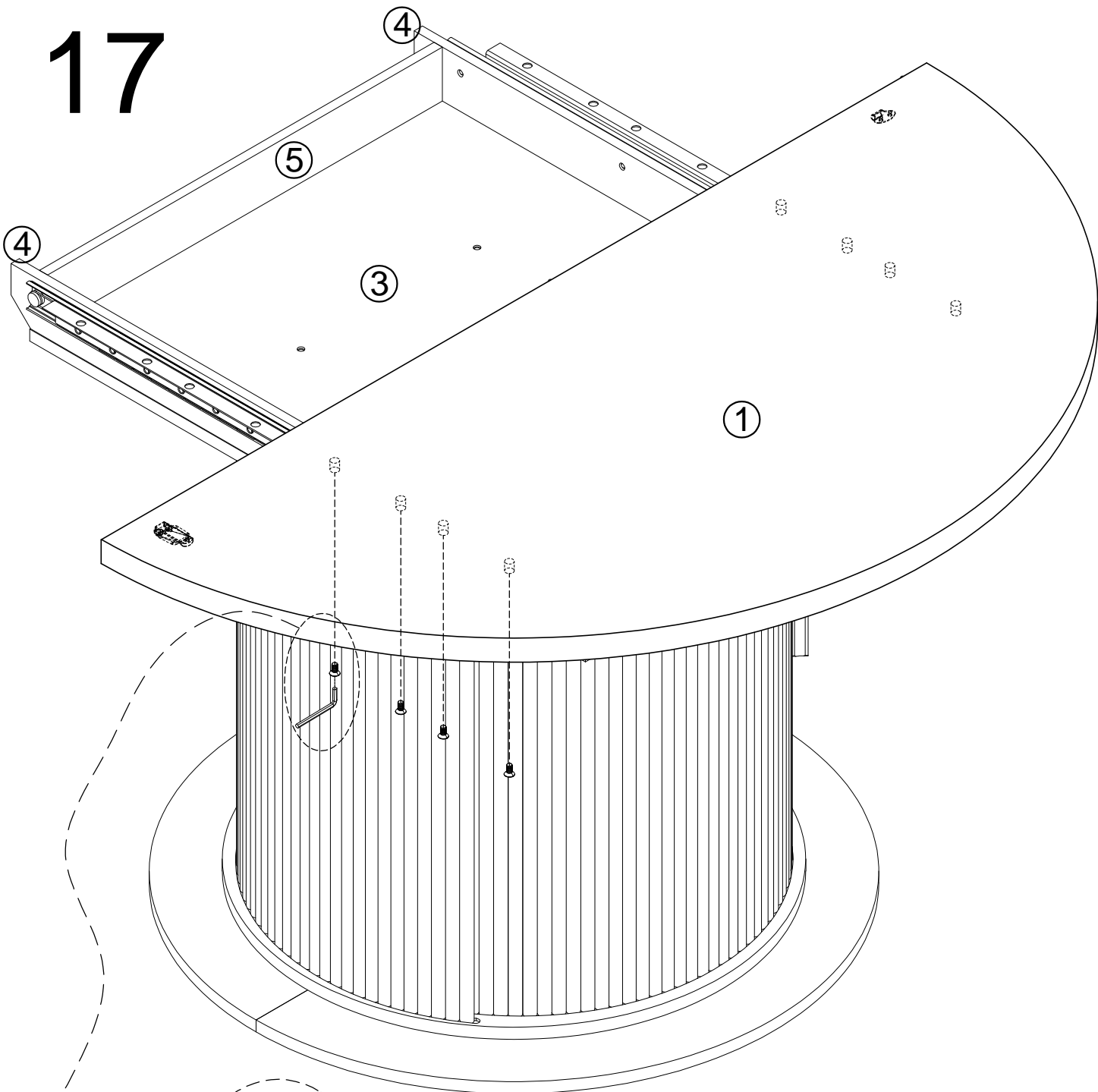
80% festziehen



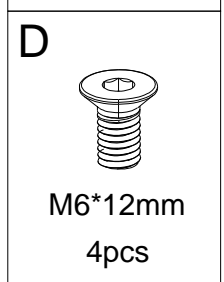
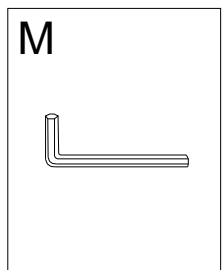
17

M

D

M6*12mm 4pcs

17

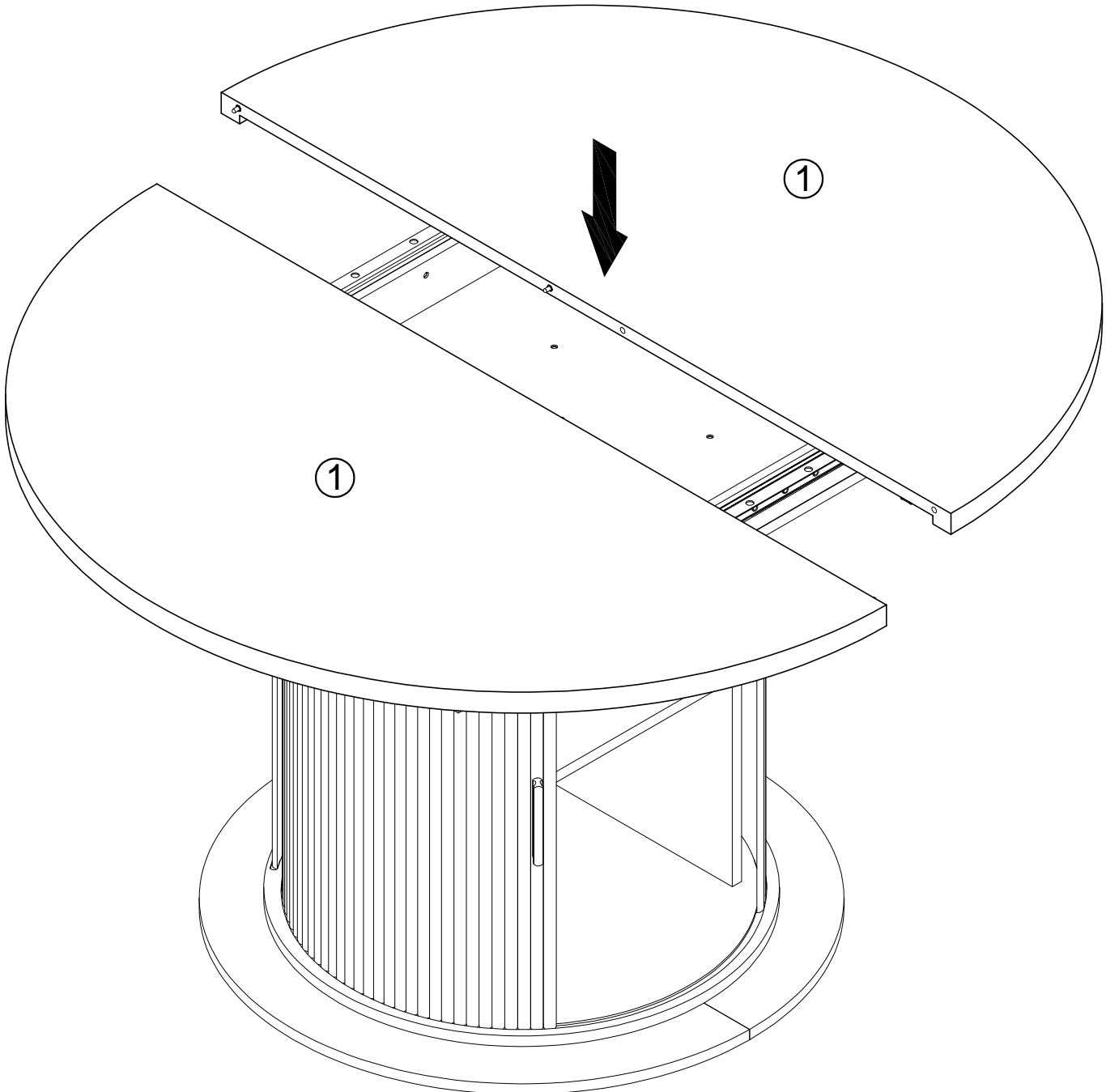


80% festziehen



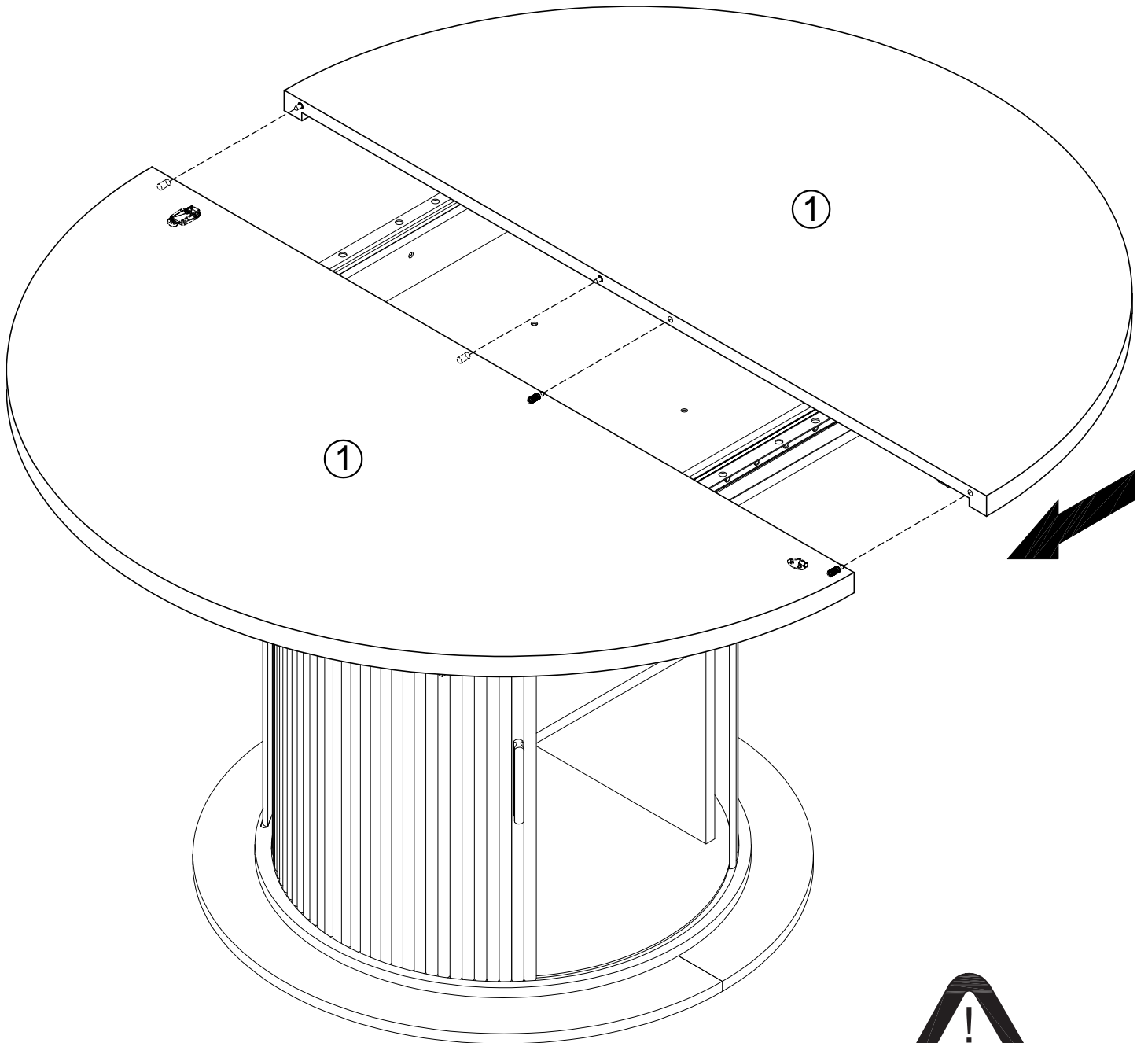
18

18



19

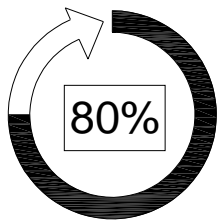
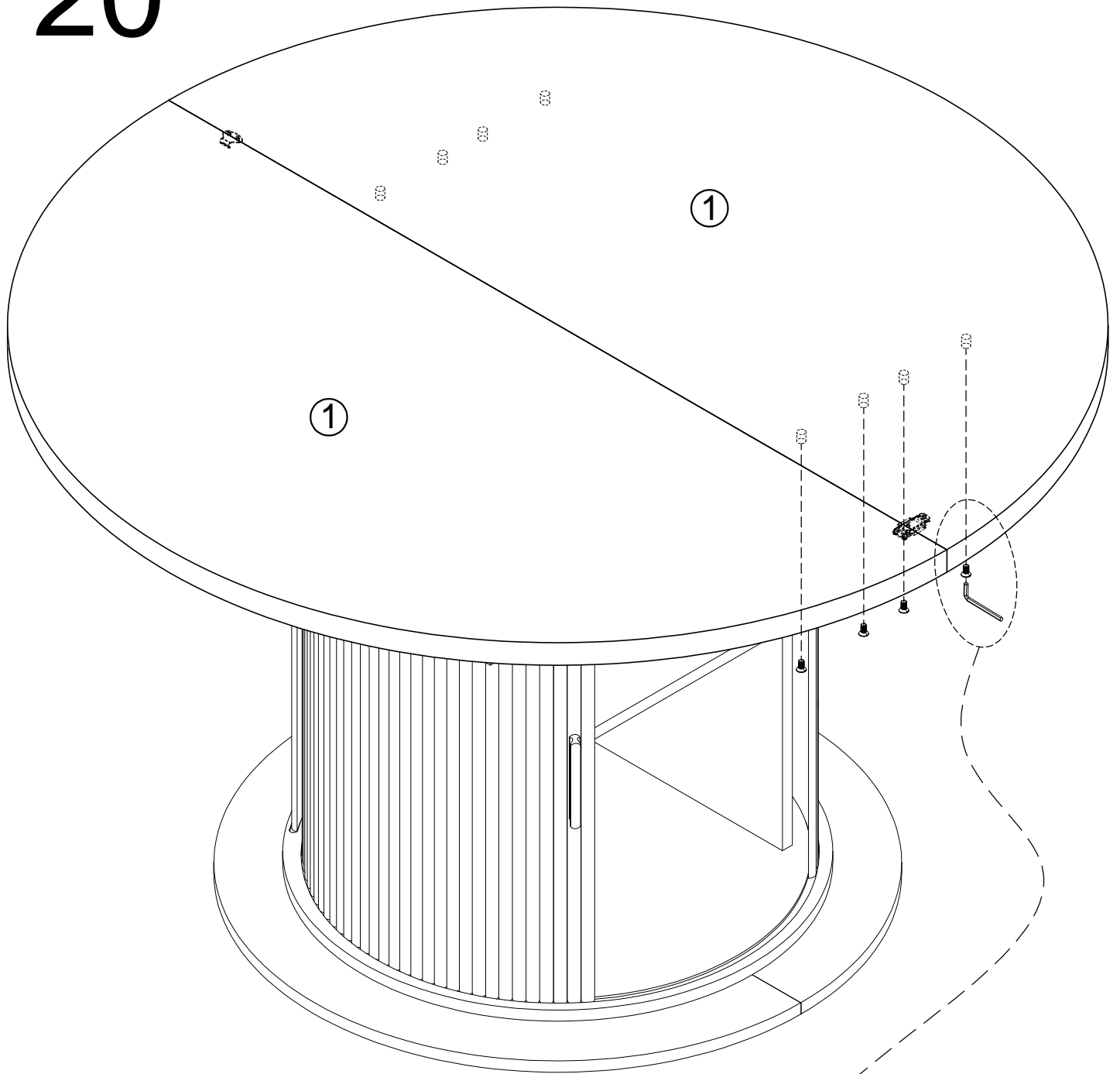
19



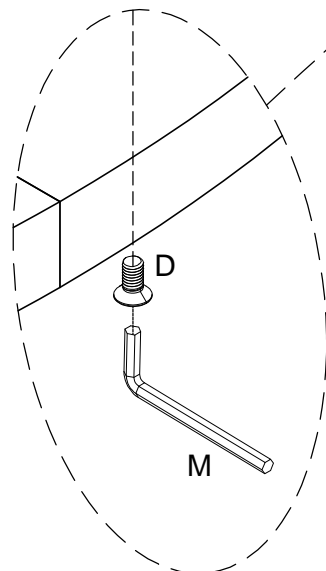
Be careful with
your fingers


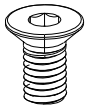
20

20



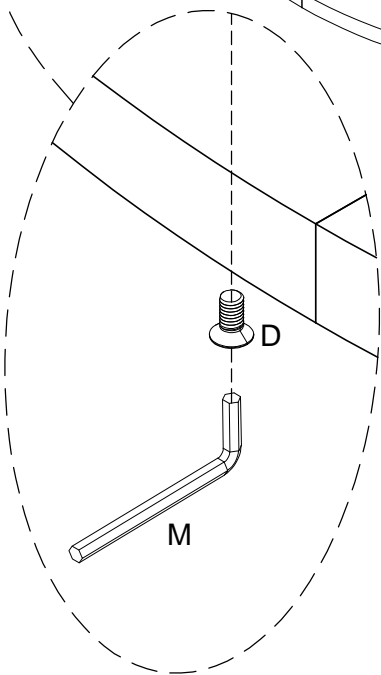
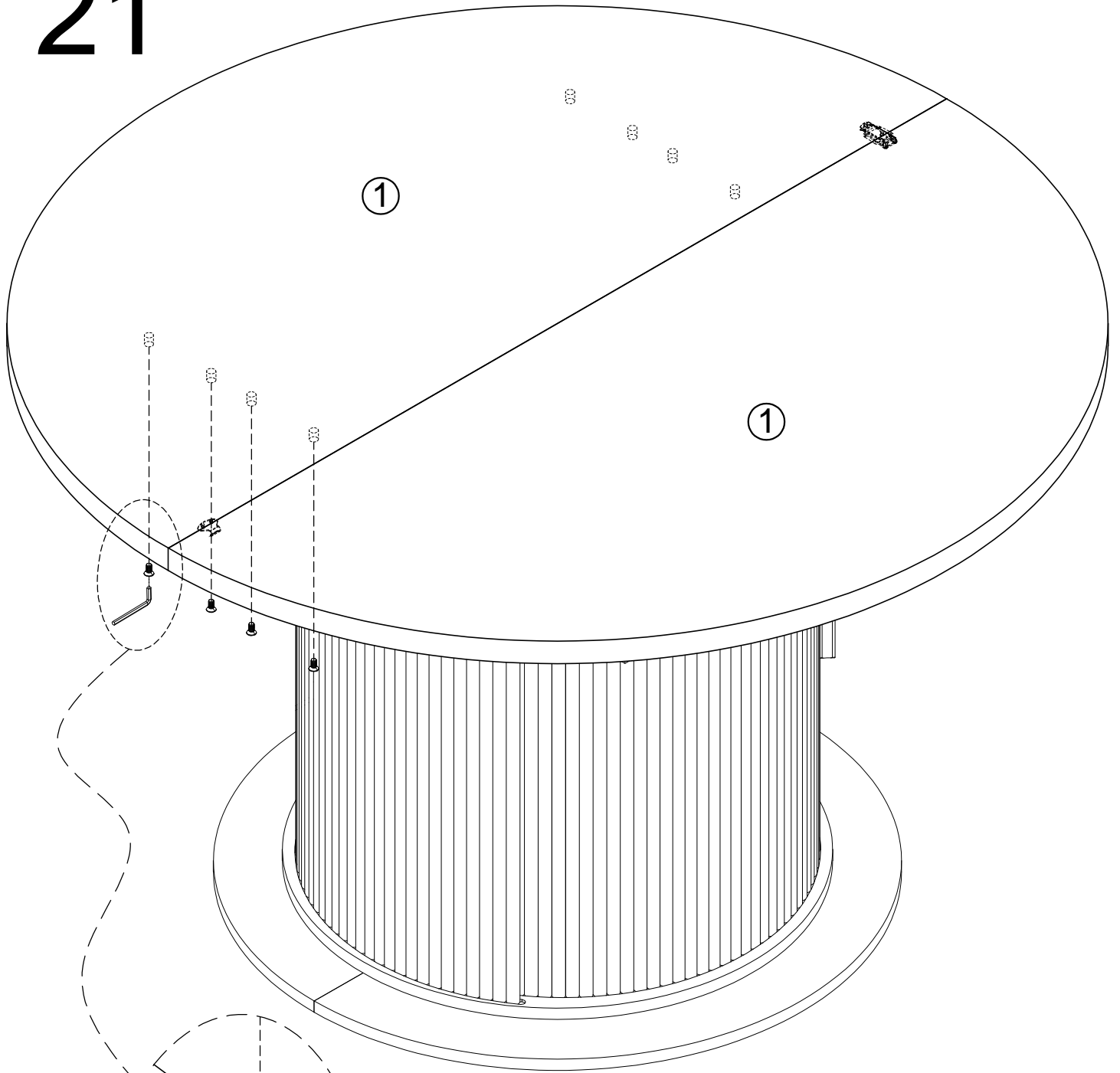
80% festziehen



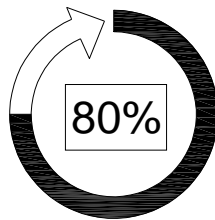
M

D

M6*12mm 4pcs

21

21



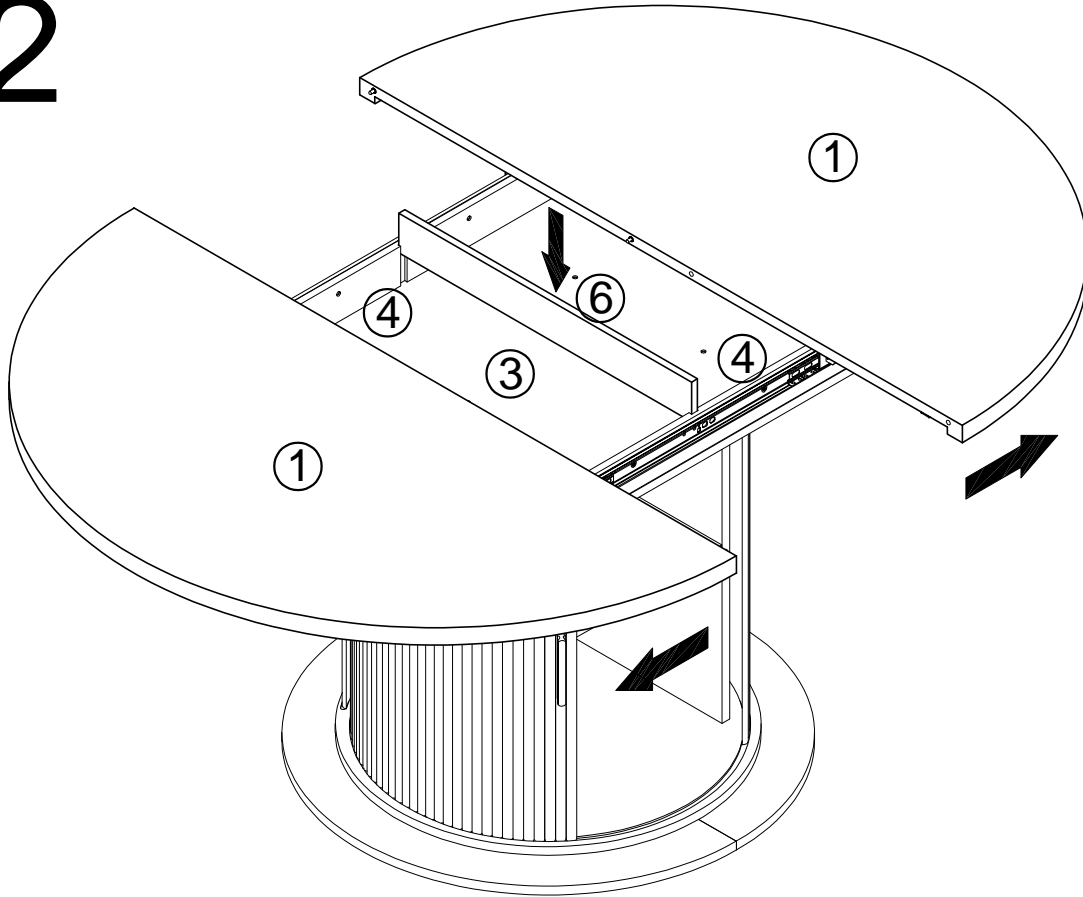
22



80% festziehen

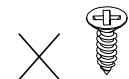

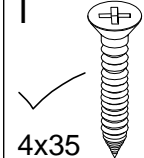
M
D
M6*12mm
4pcs

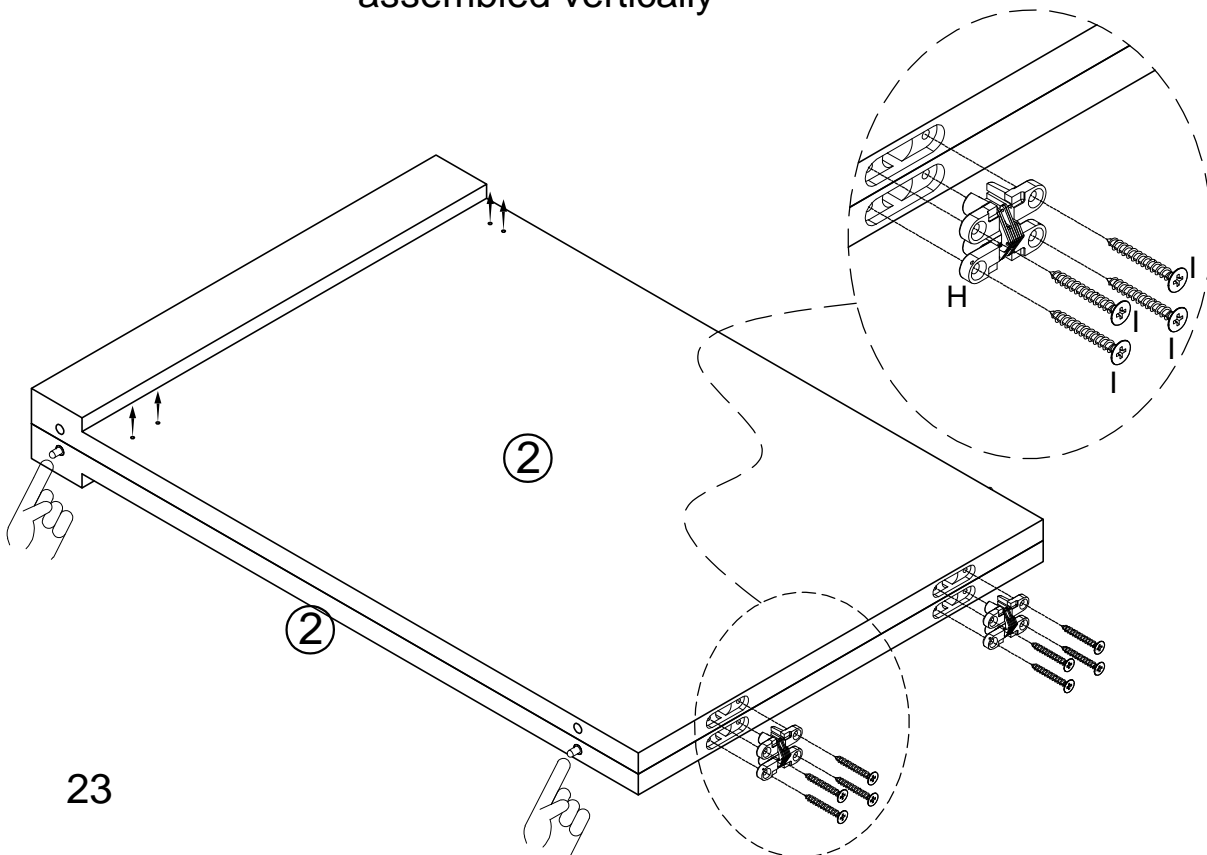
22

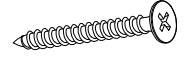
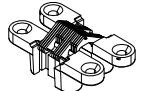


23



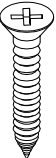
If installation is difficult,
the boards can be
assembled vertically

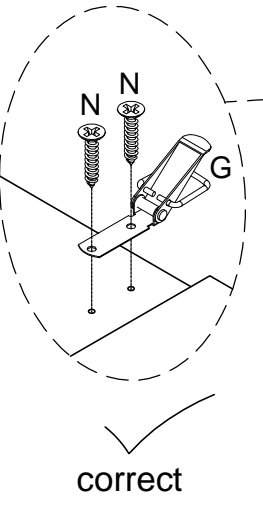
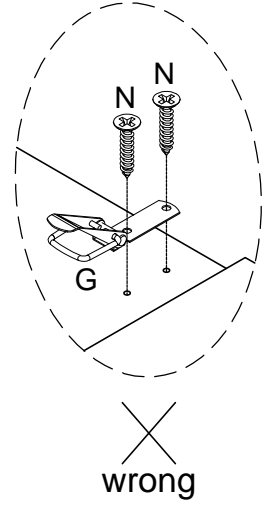
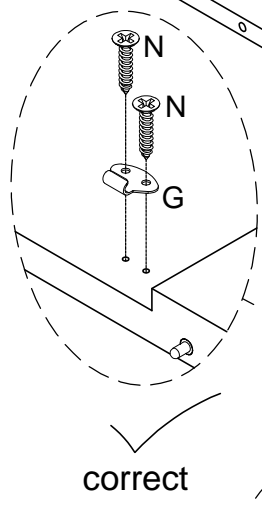
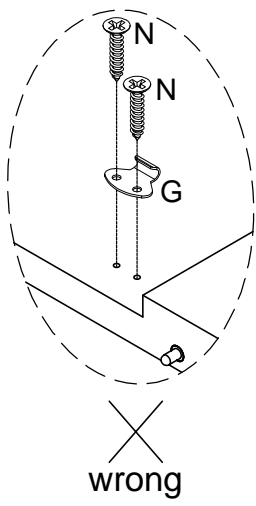
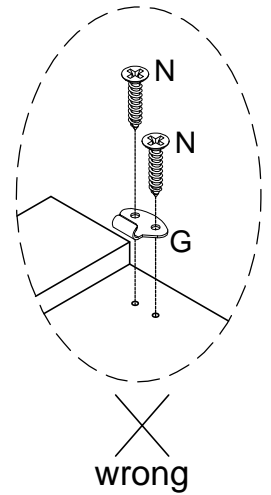
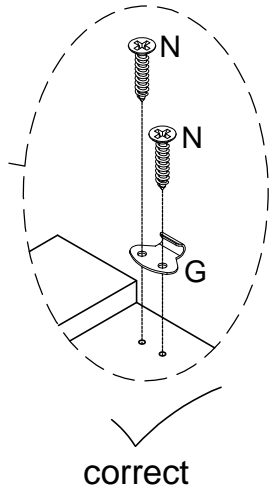
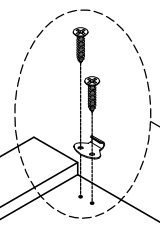
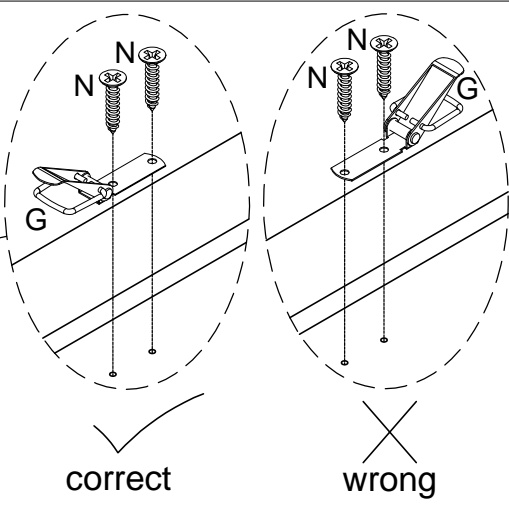
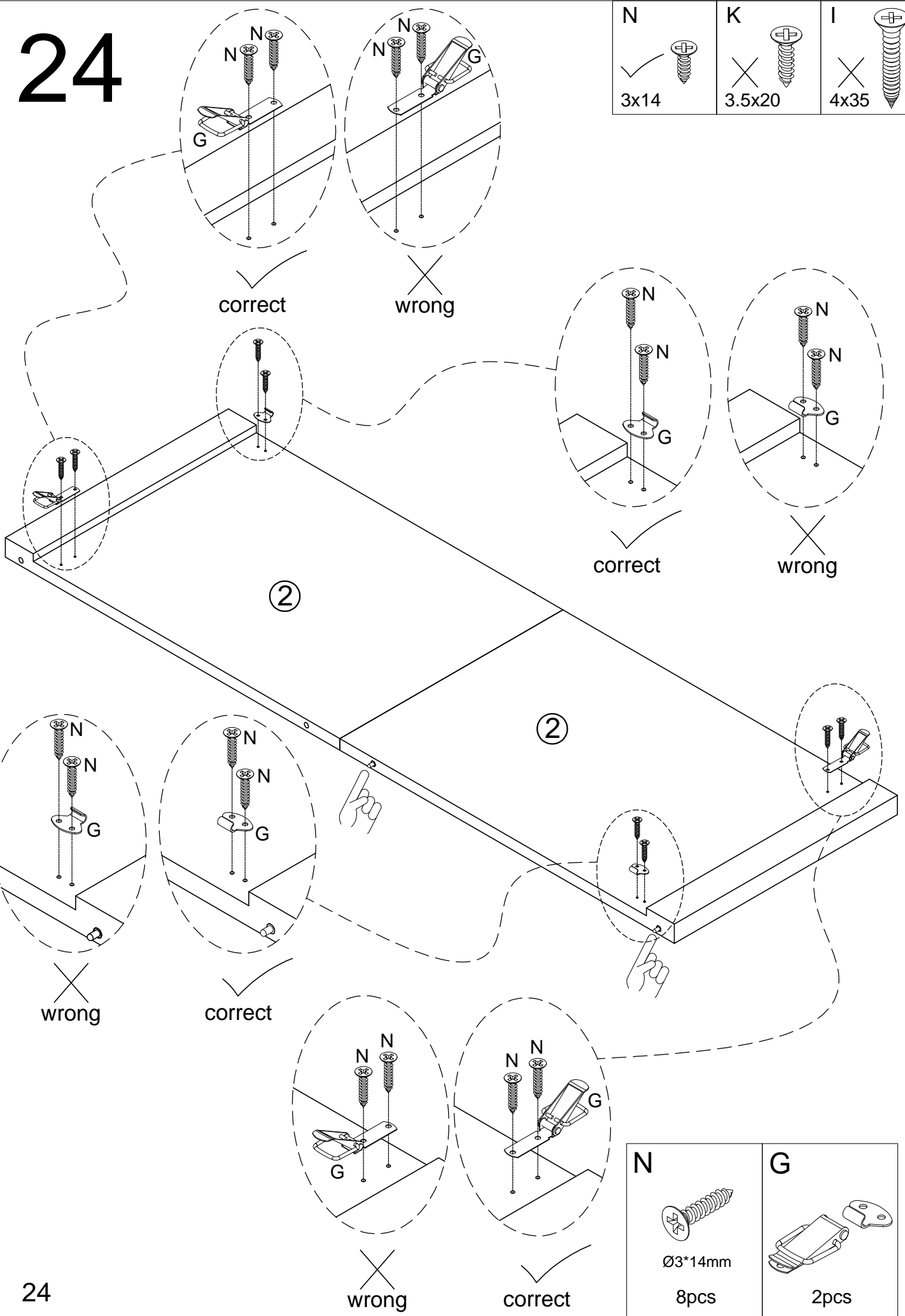
N	K	I
		
X	X	✓
3x14	3.5x20	4x35

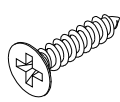
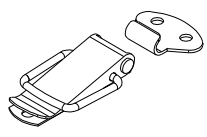


I

Ø4*35mm
8pcs
H

2pcs

24

N	K	I
		
✓	✗	✗
3x14	3.5x20	4x35

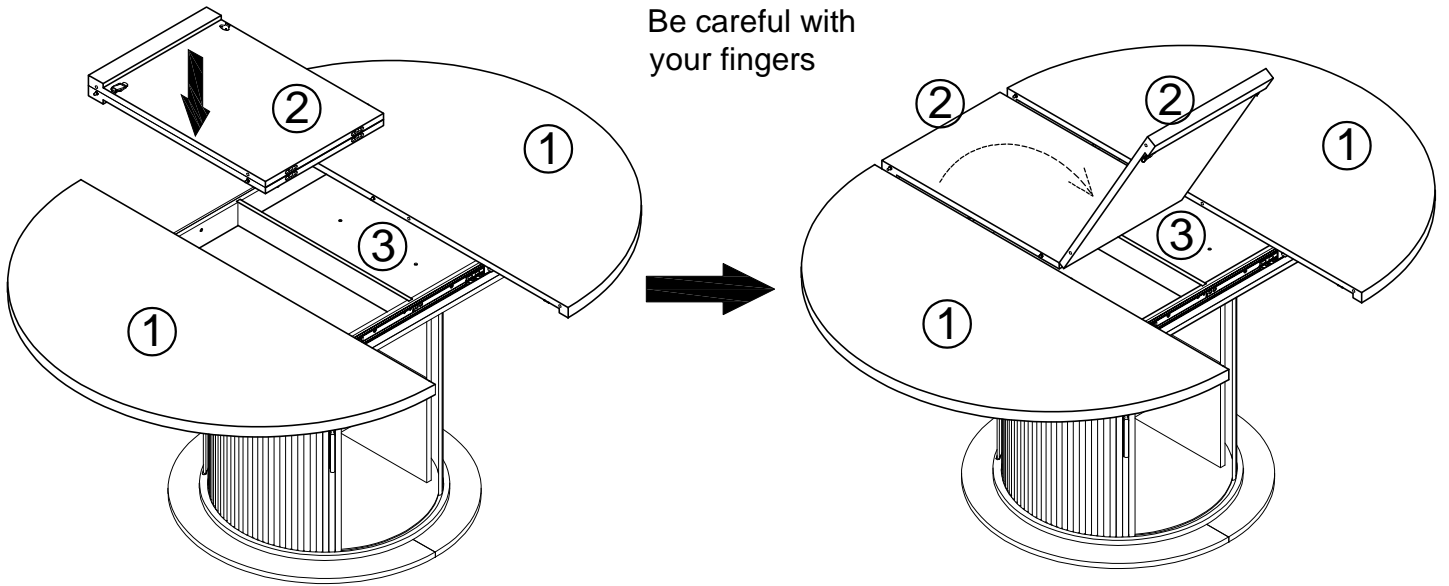


N	G
	
Ø3*14mm	
8pcs	2pcs

25



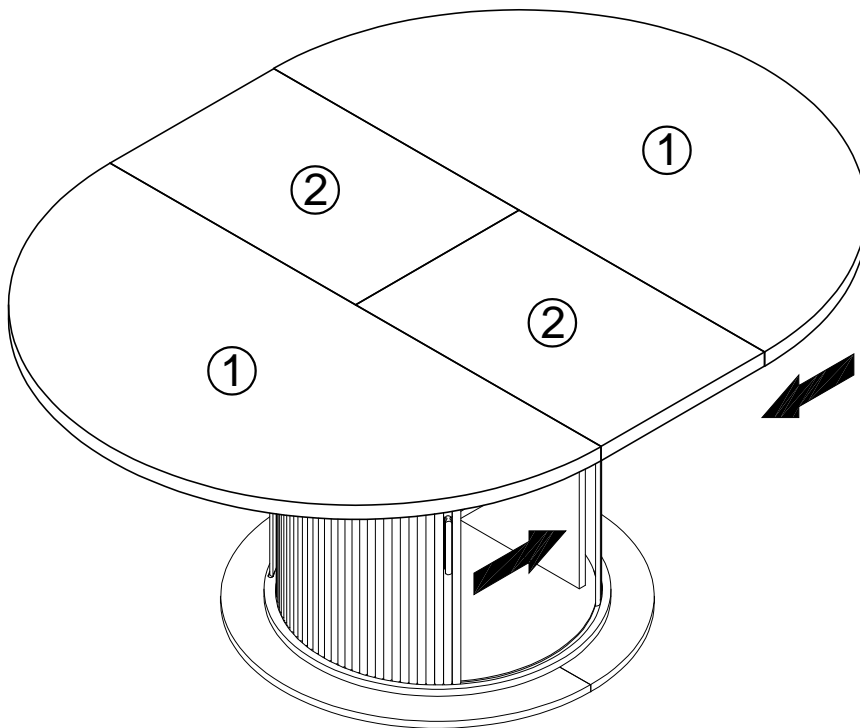
Be careful with your fingers



26



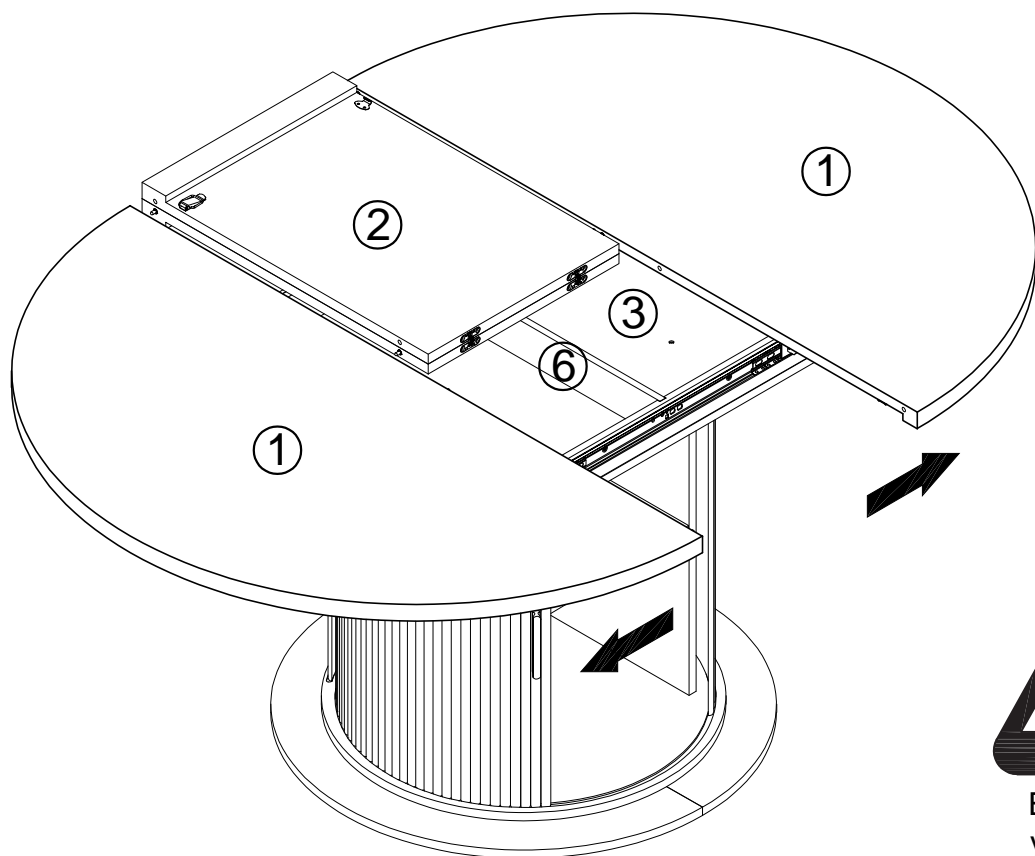
Be careful with your fingers



Align desktop 1 and desktop 2, and then tighten the screw D that was not tightened in step 16.17.20.21 to 100%

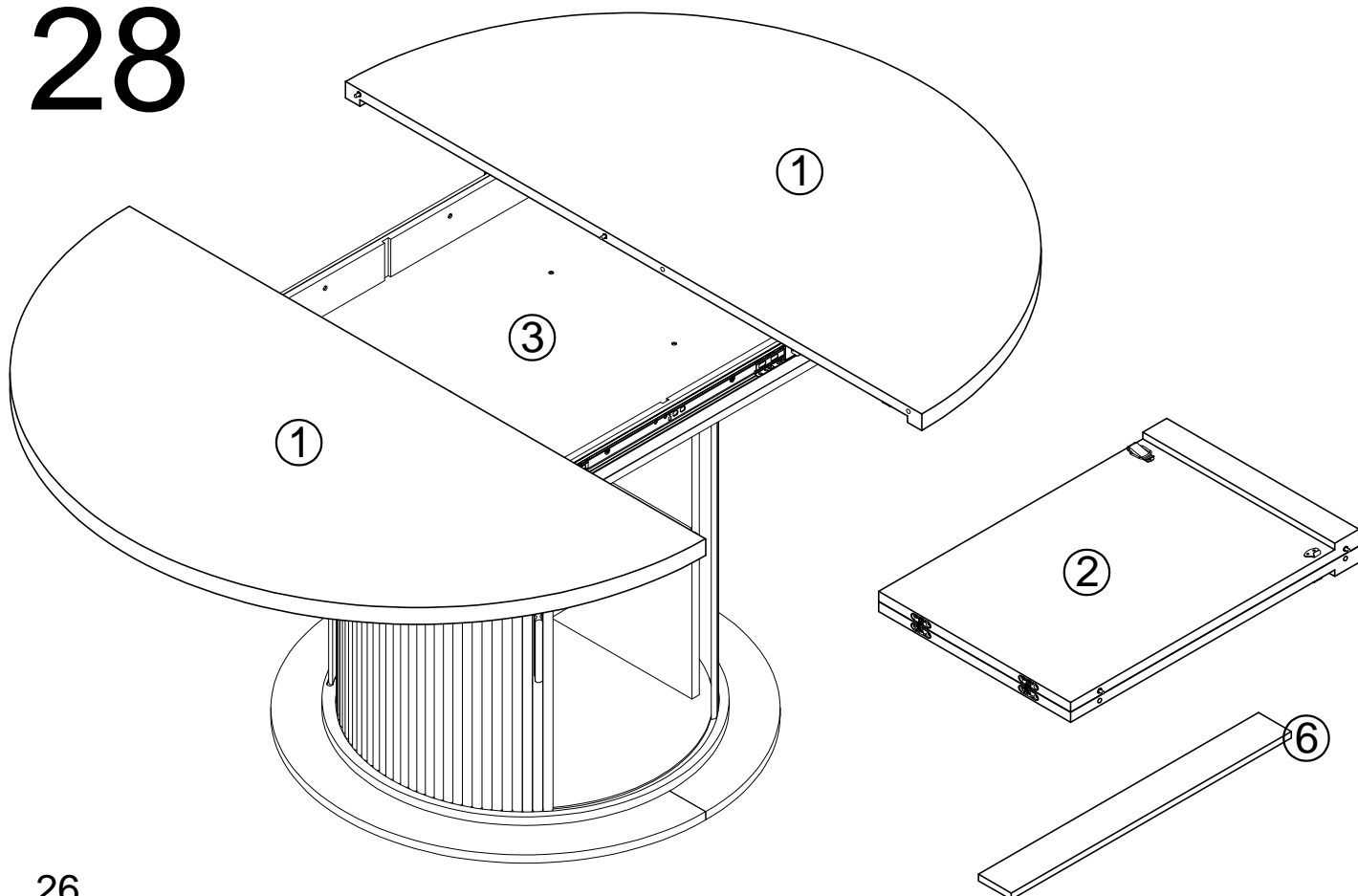
27

Precautions for use

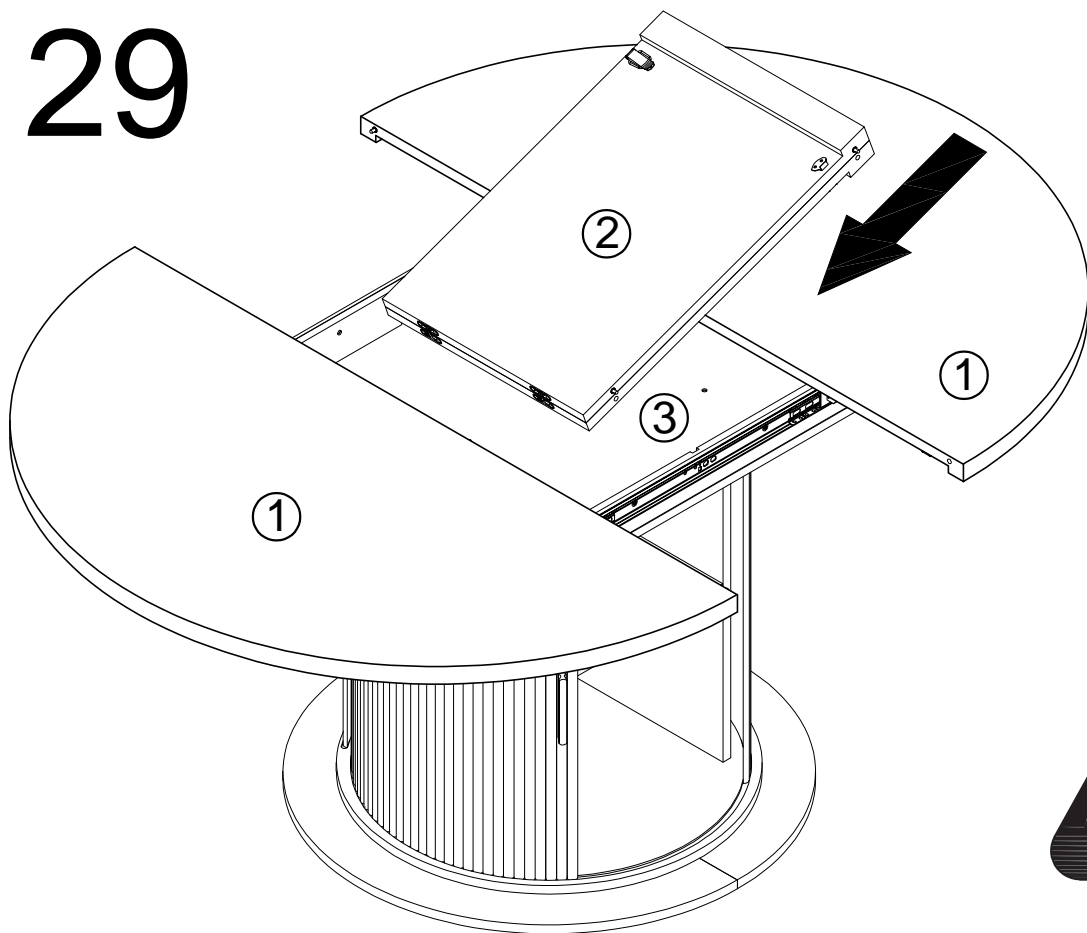


Be careful with
your fingers

28

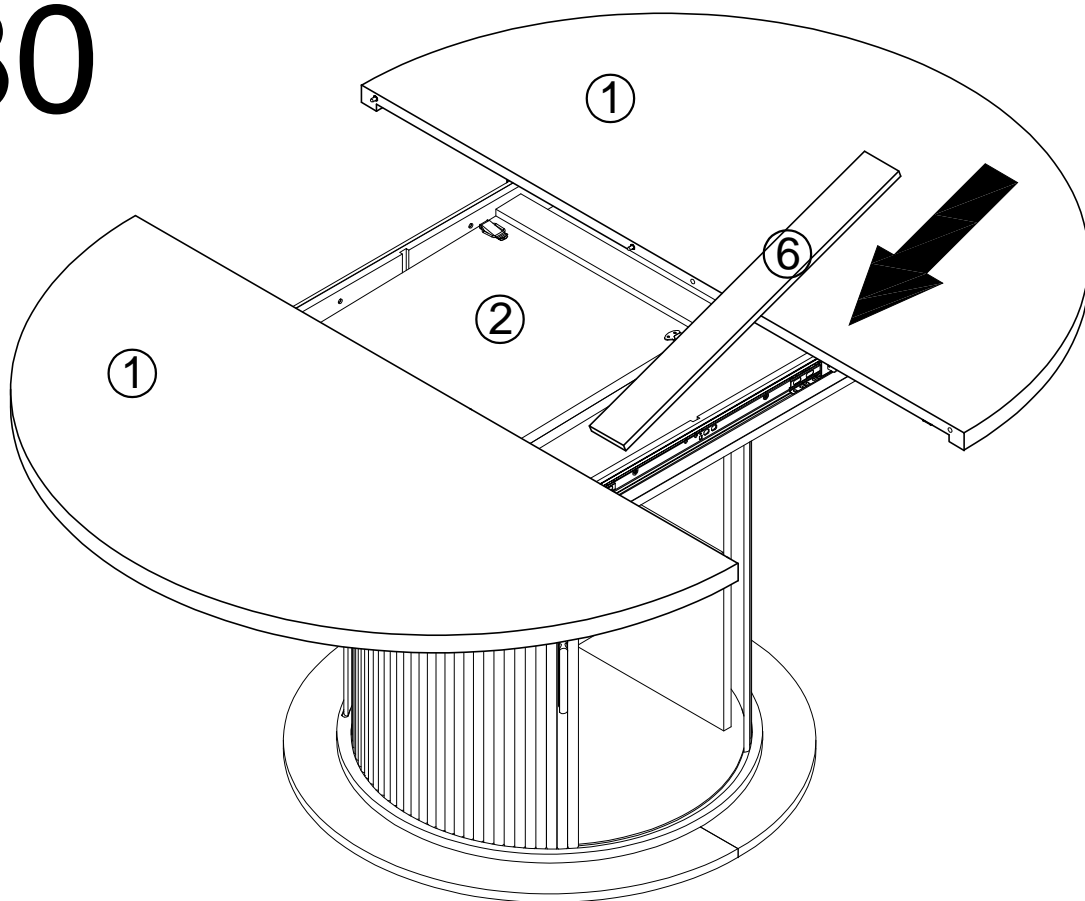


29

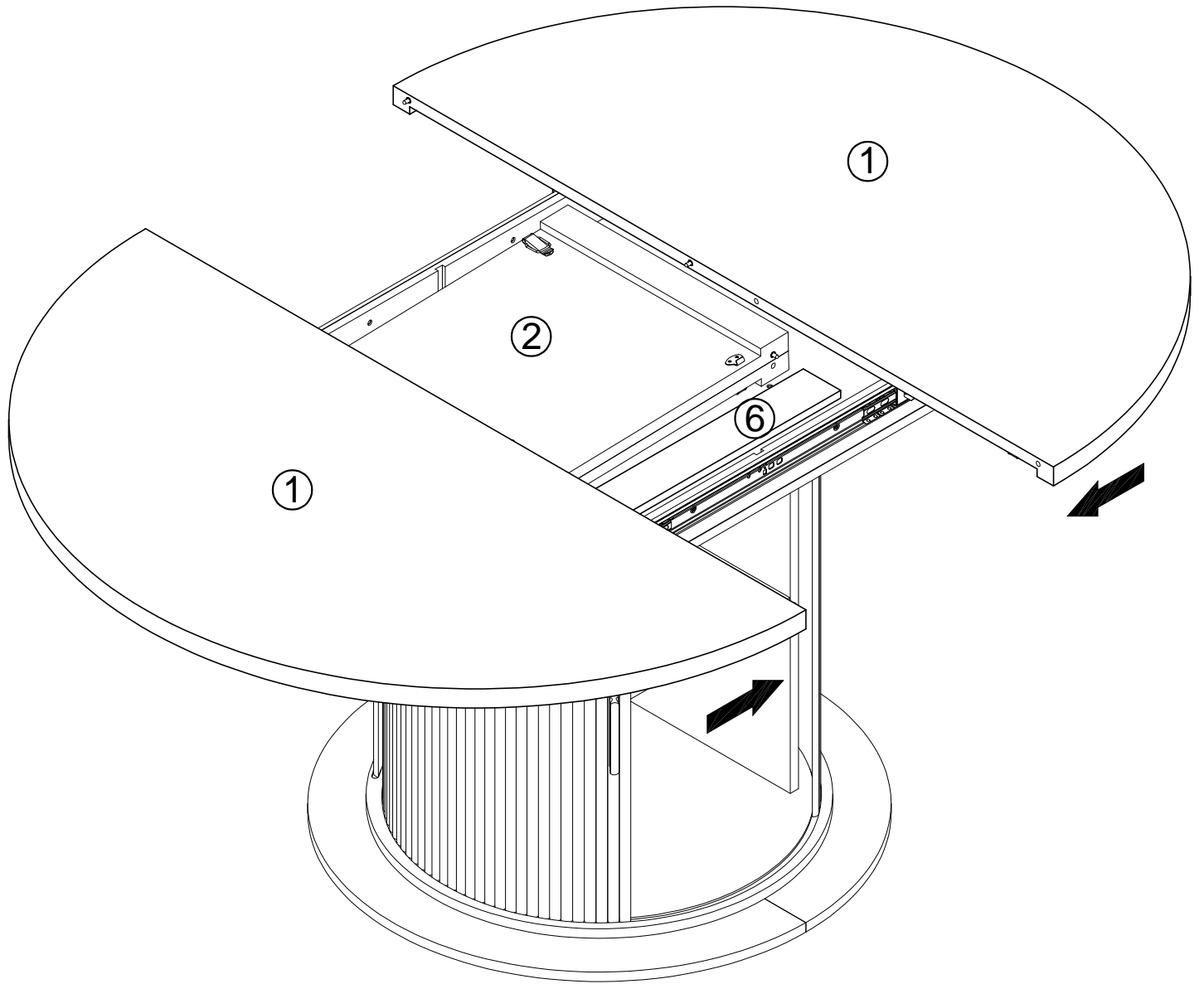


Be careful with
your fingers

30

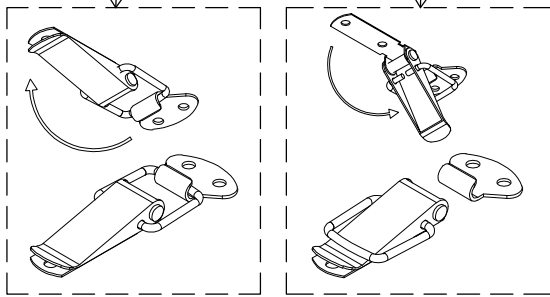
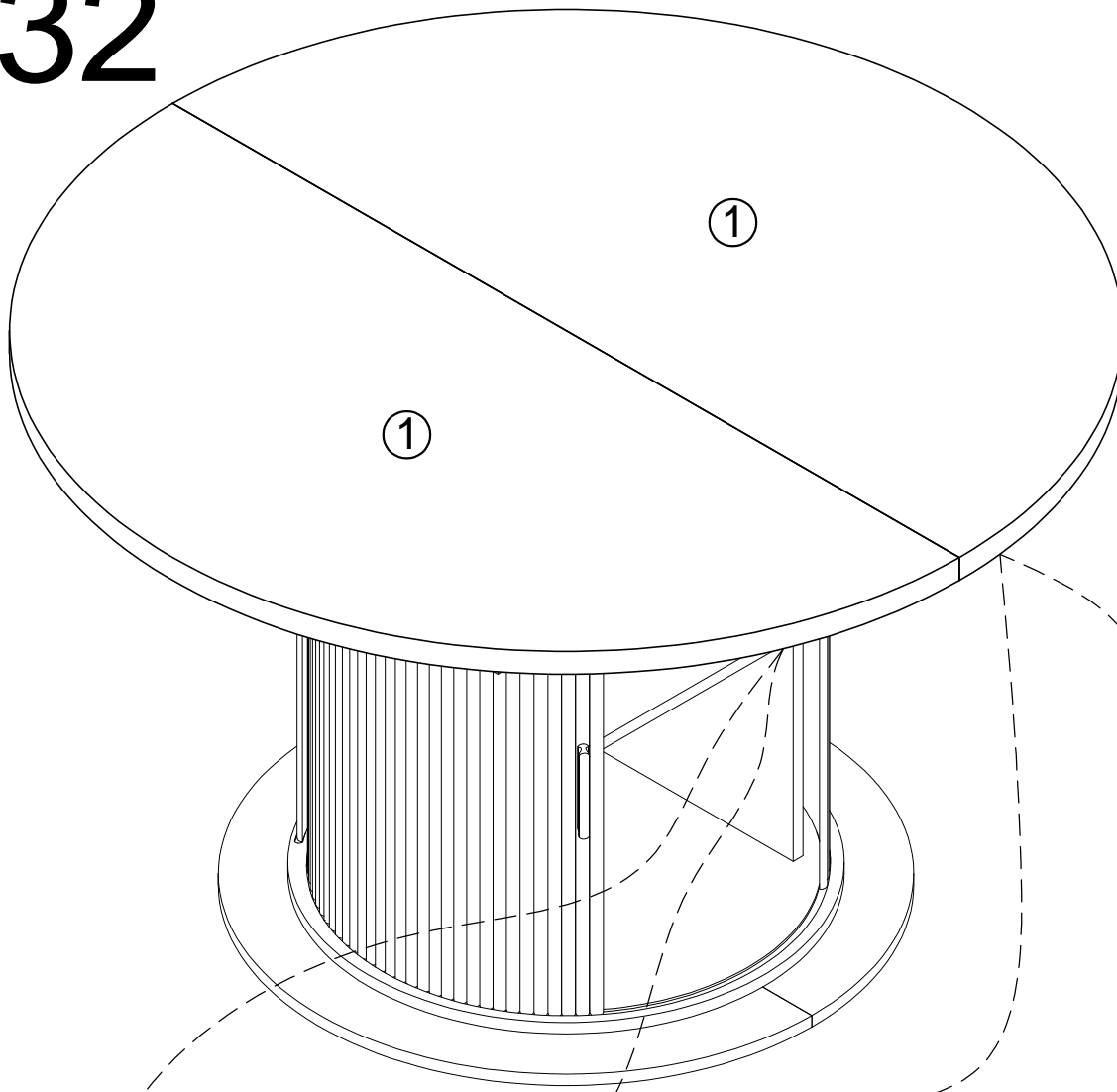


31



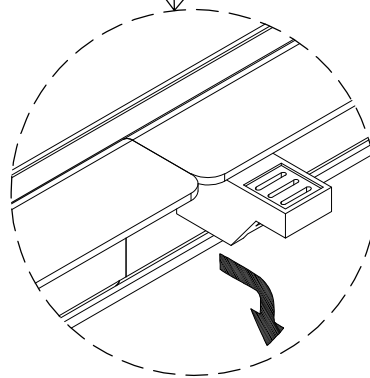
Be careful with
your fingers

32

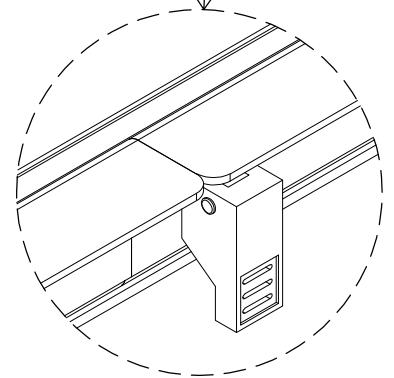


Lock

Open



Open the track

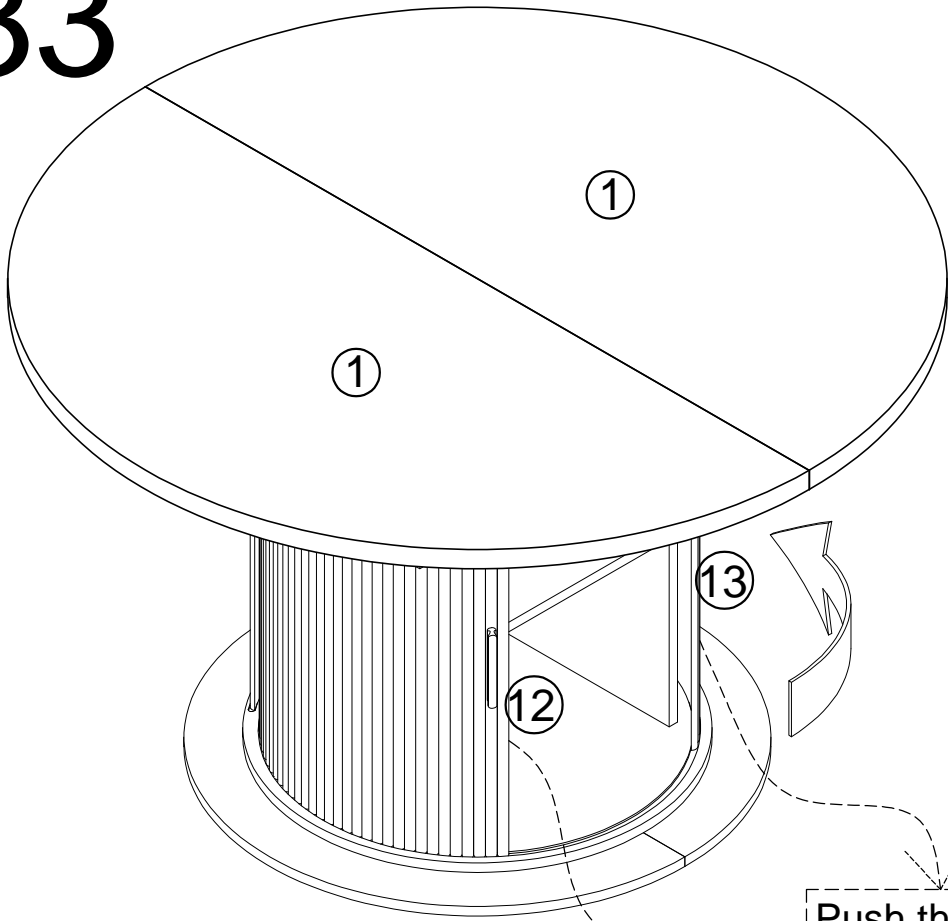


Lock the track

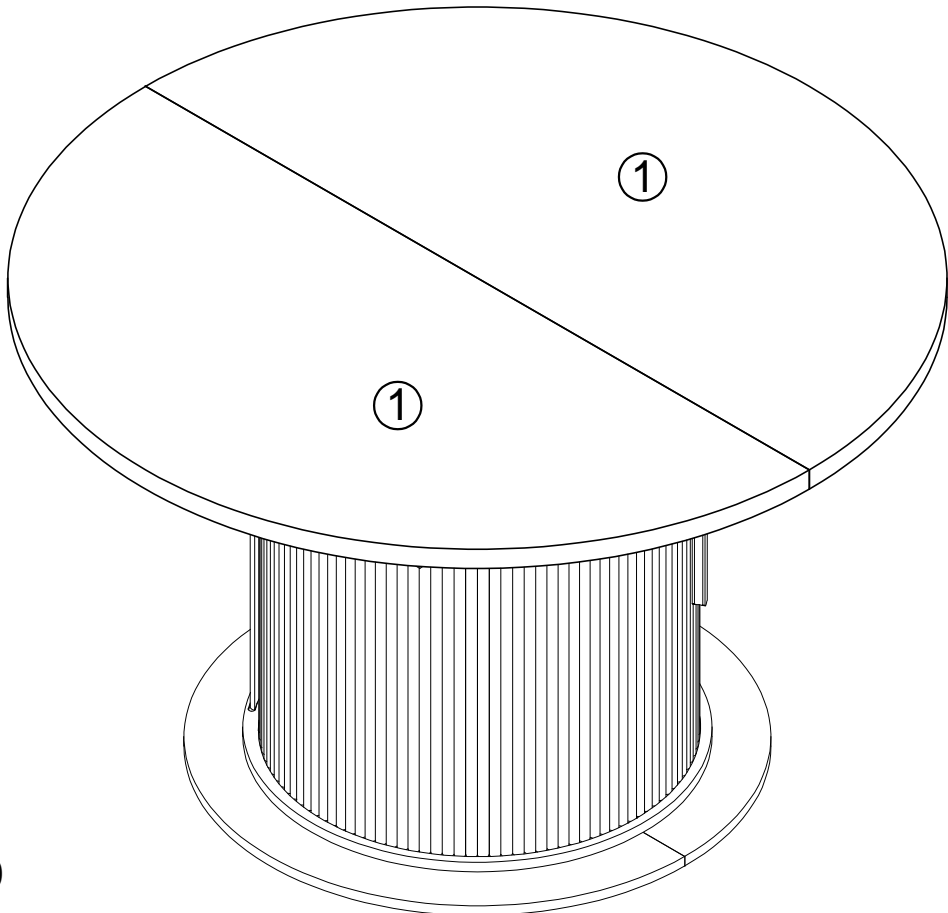
Track locking device

Instructions for using
the lock buckle

33

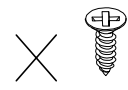
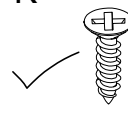
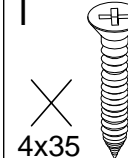


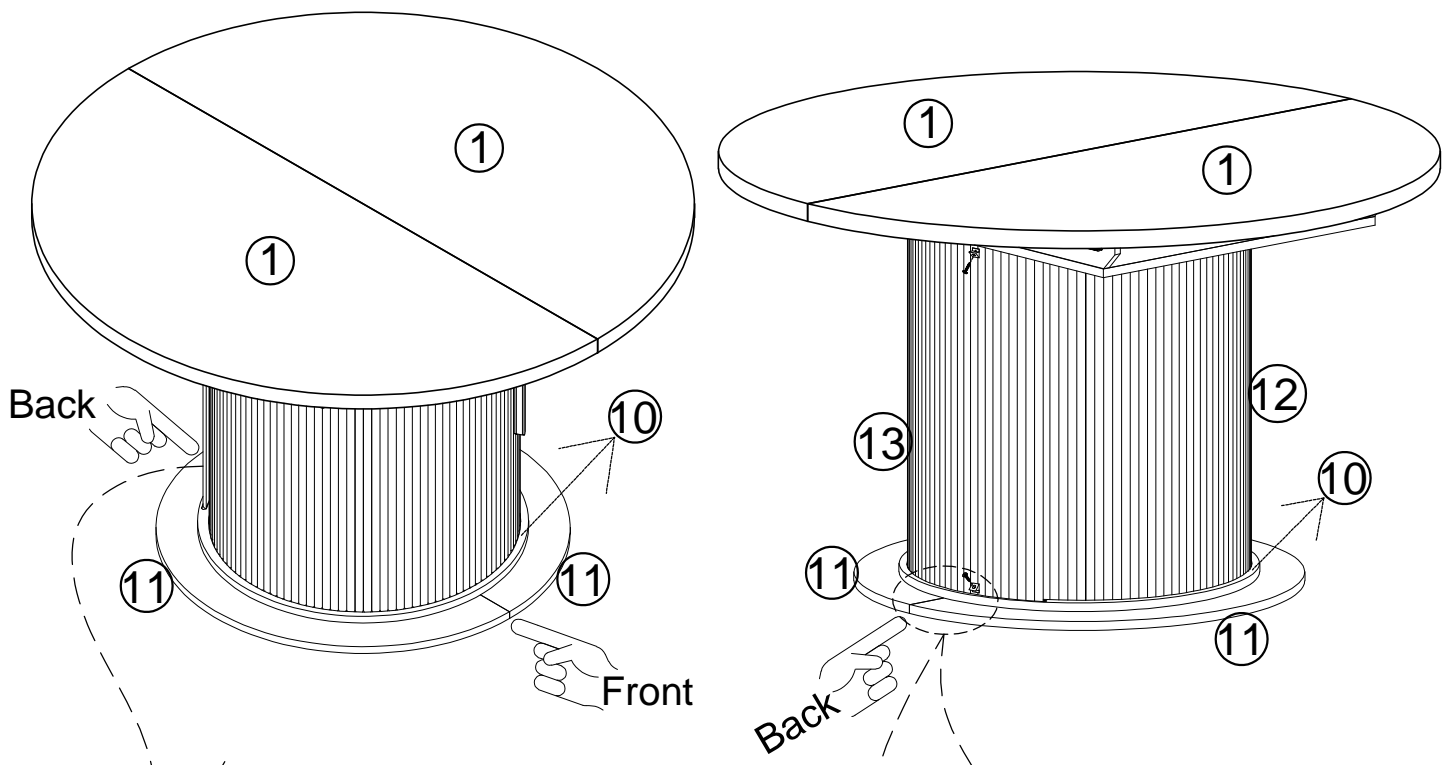
Push these two door panels to the end in the direction shown in the picture



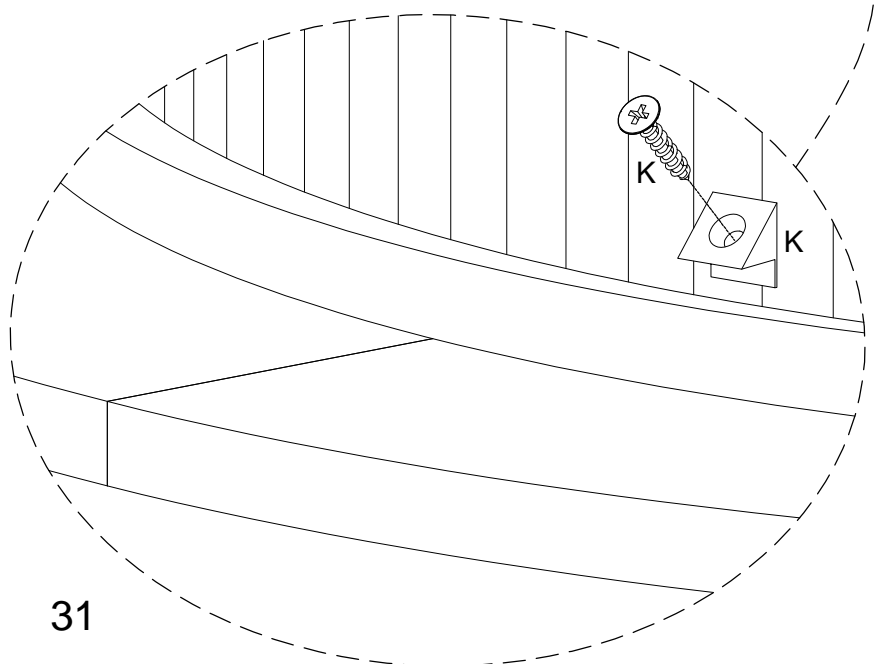
30

34

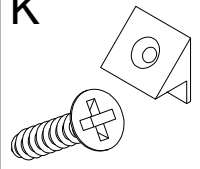
N	K	I
		
3x14	3.5x20	4x35



This accessory is installed at the gap between the groove behind the table and the door panel to fix the door panel 13. Users can install it according to their own needs



K

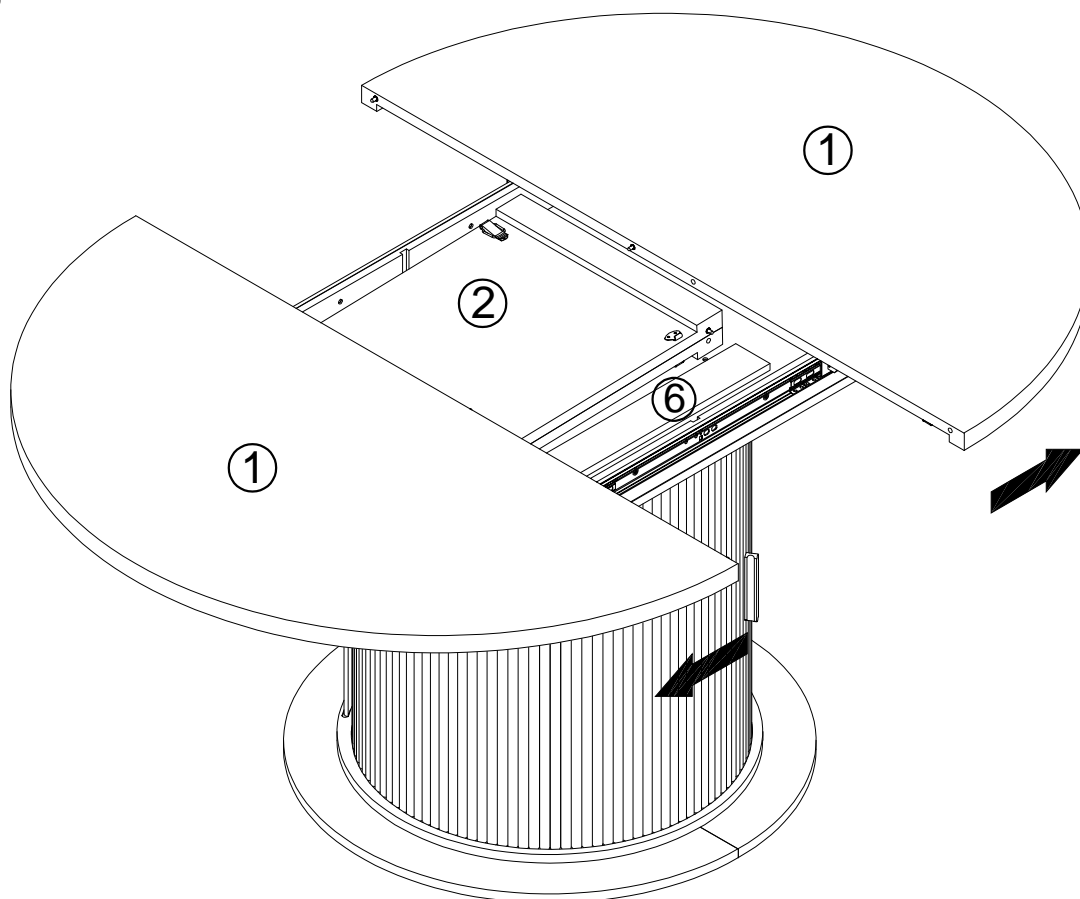


Ø3.5*20mm

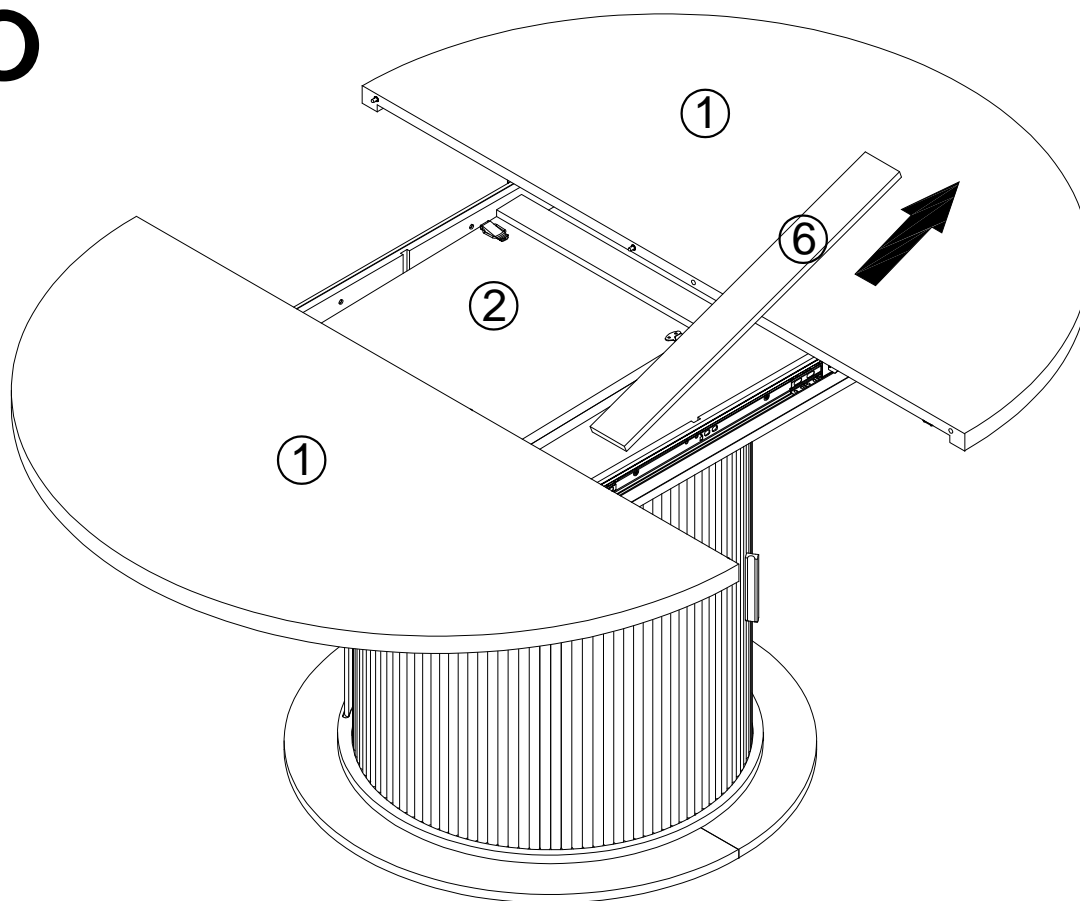
2pcs

35

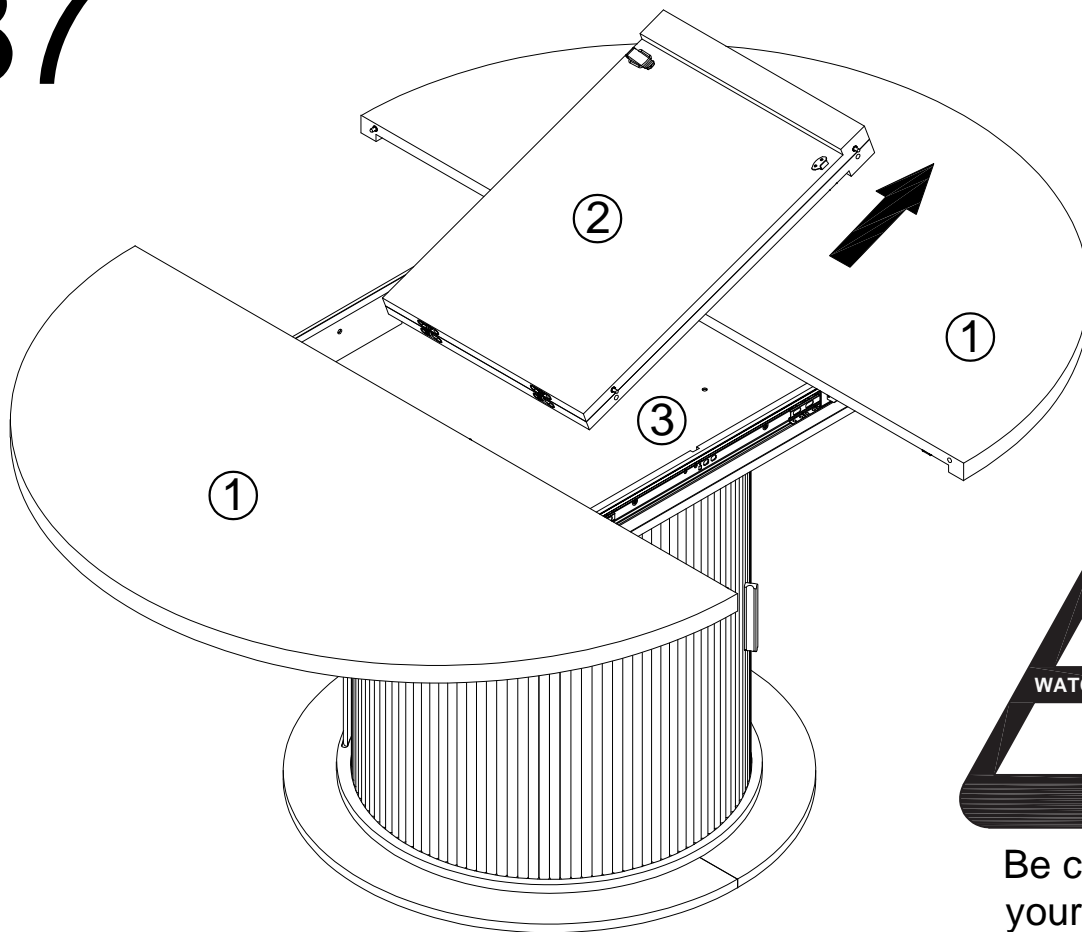
Precautions for use



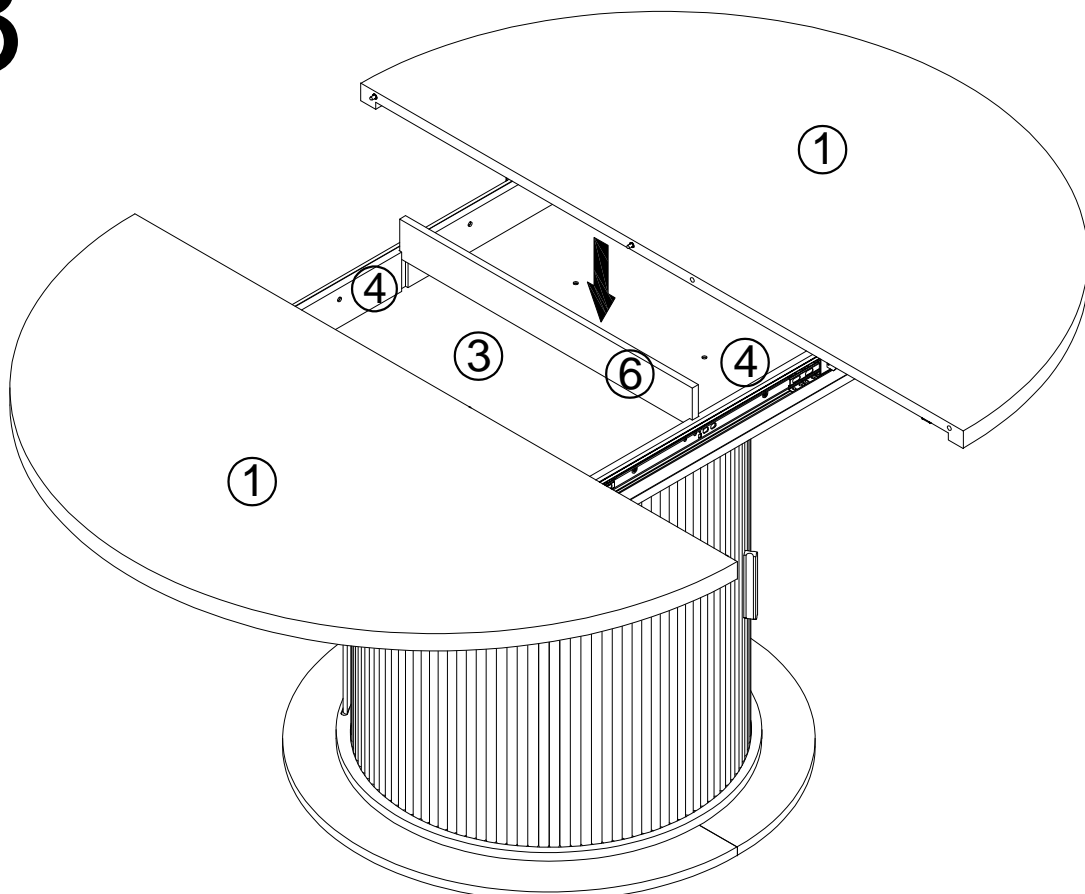
36



37



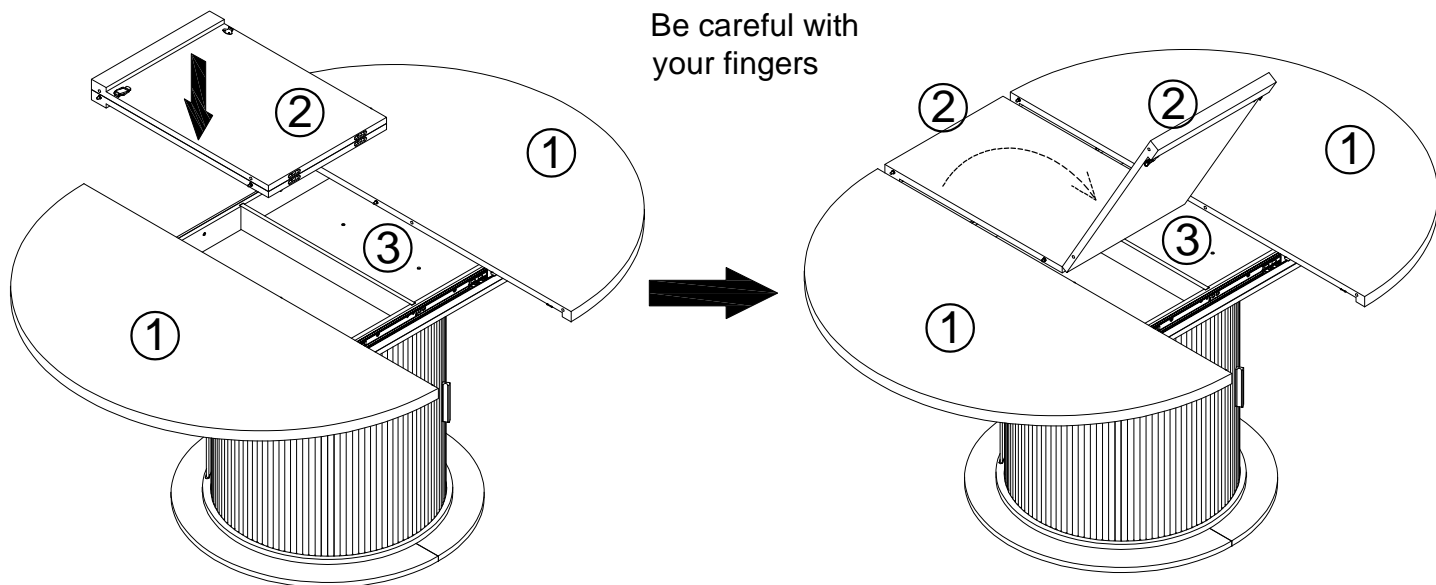
38



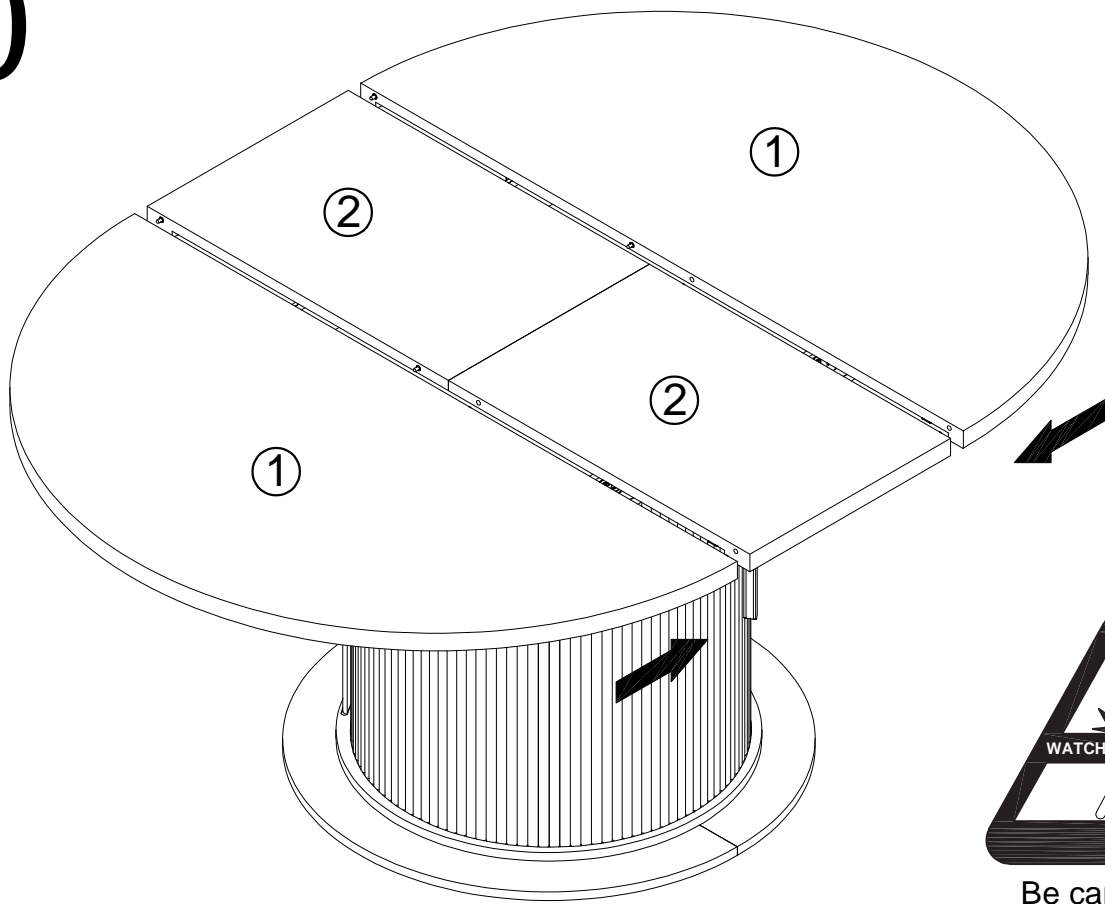
39



Be careful with your fingers



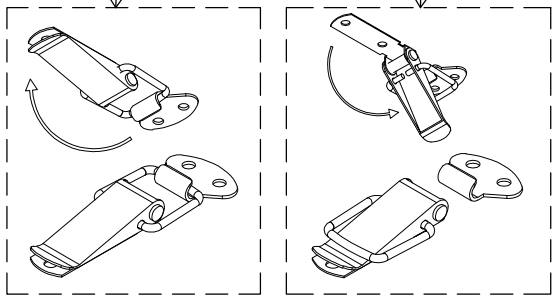
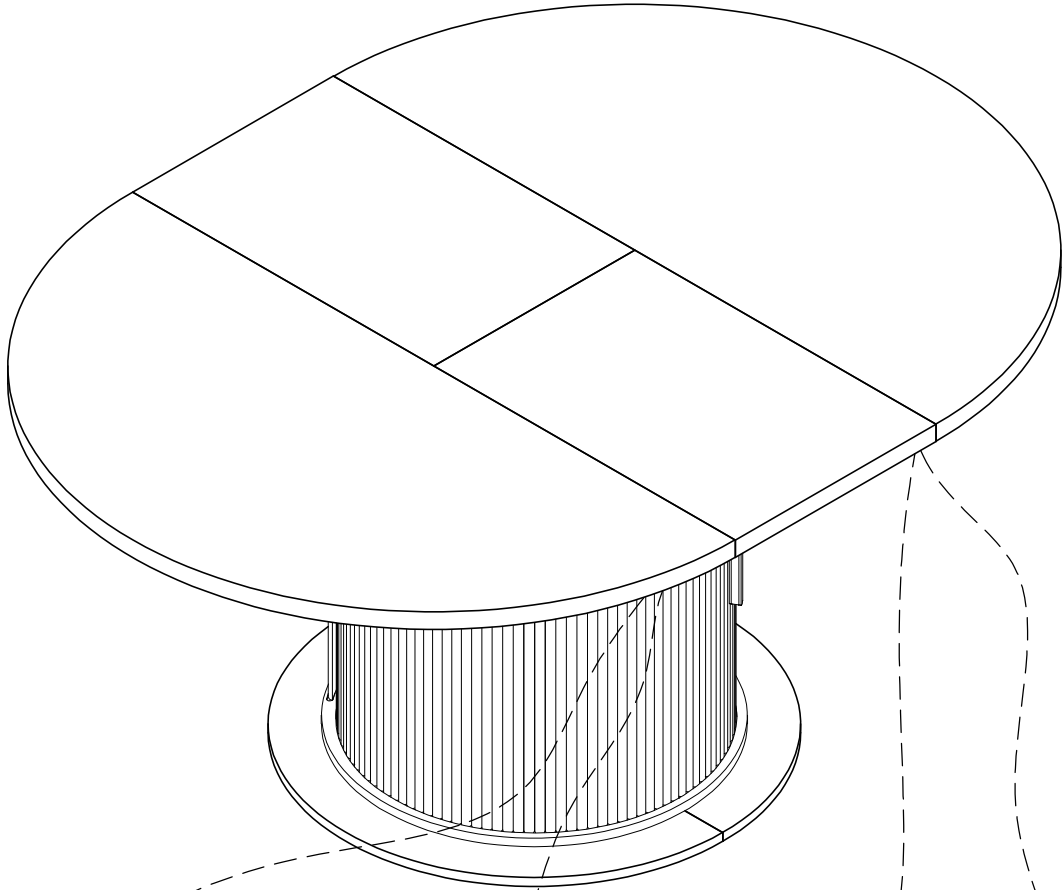
40



Be careful with your fingers

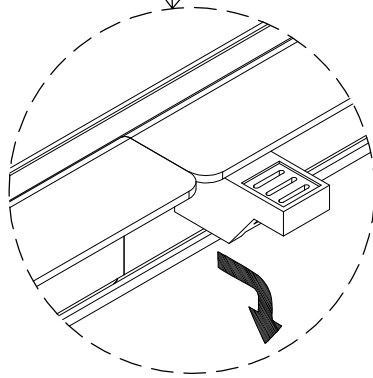
34

41

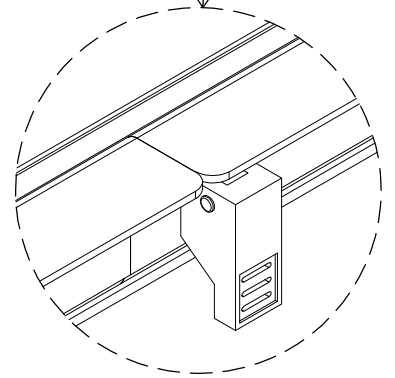


Lock

Open



Open the track



Lock the track

Track locking device

Instructions for using
the lock buckle