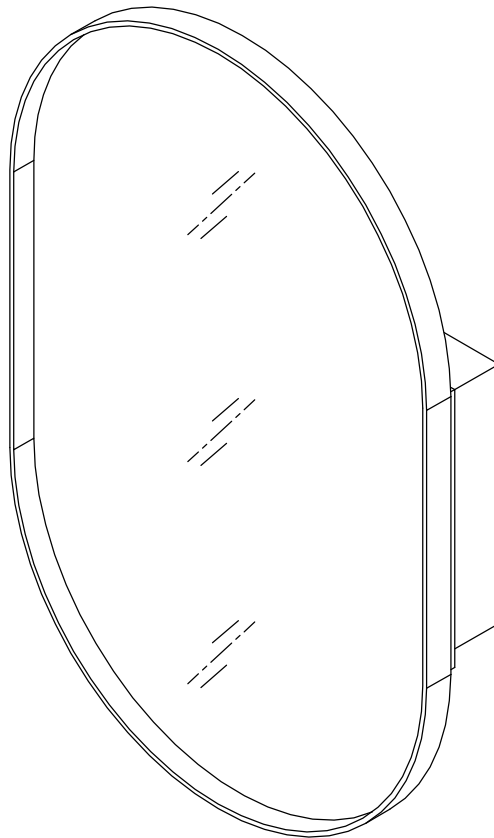
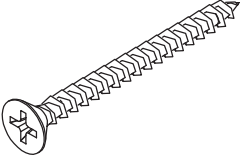
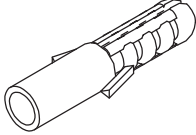
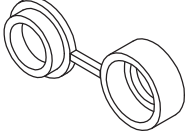

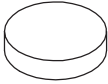
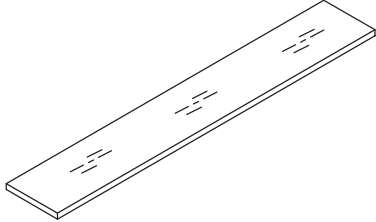


MEDICINE CABINET

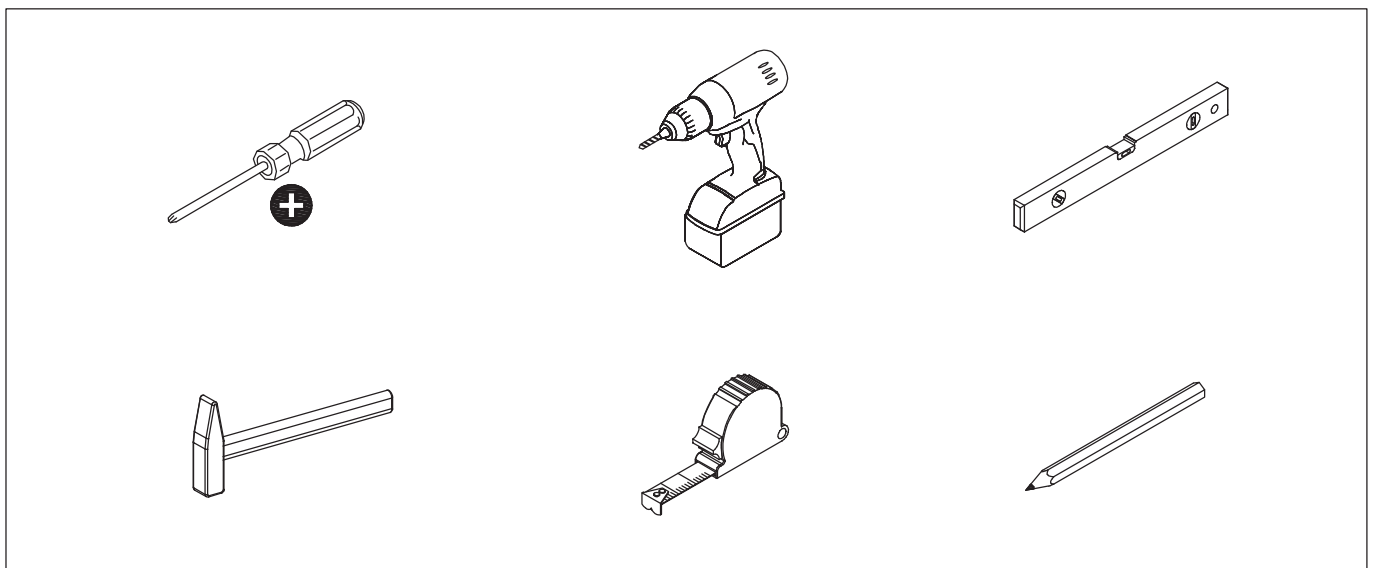
Installation Guide



List of Parts

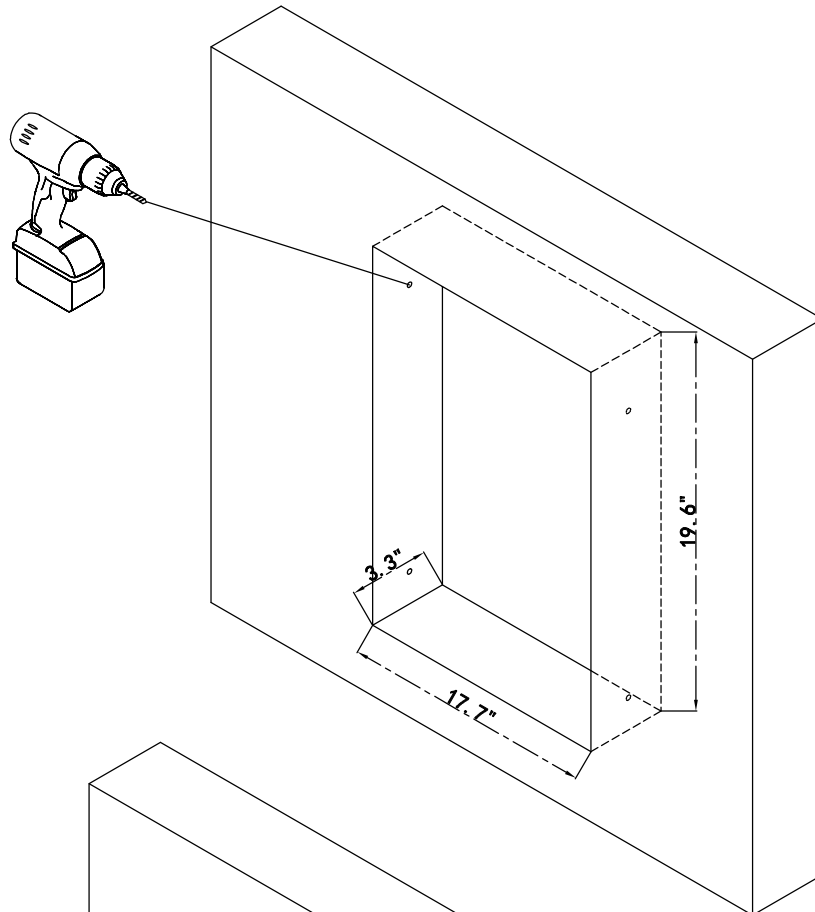
A 8pcs  Screws	B 8pcs  Rubber plug screws	C 8pcs  Screw cover
D 8pcs  Screw washers	E 8pcs  Rubber mat	F 2pcs  Glass shelf

Additional Tools Required

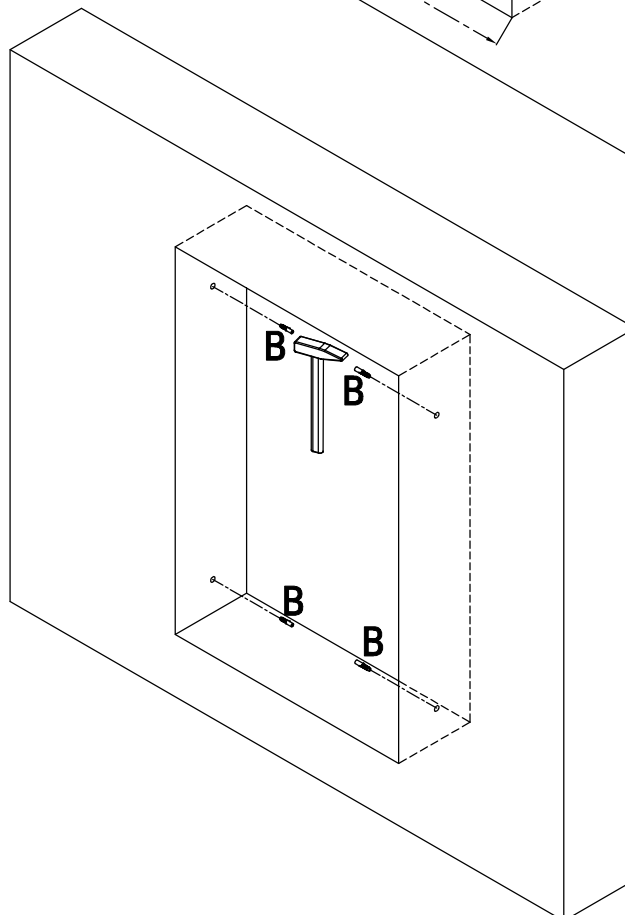


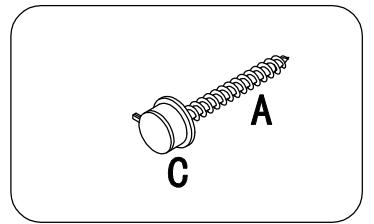
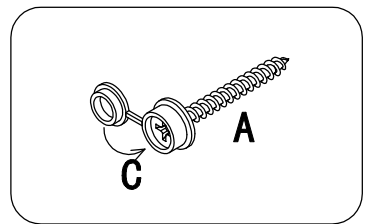
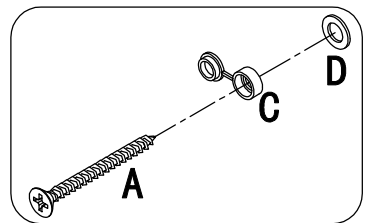
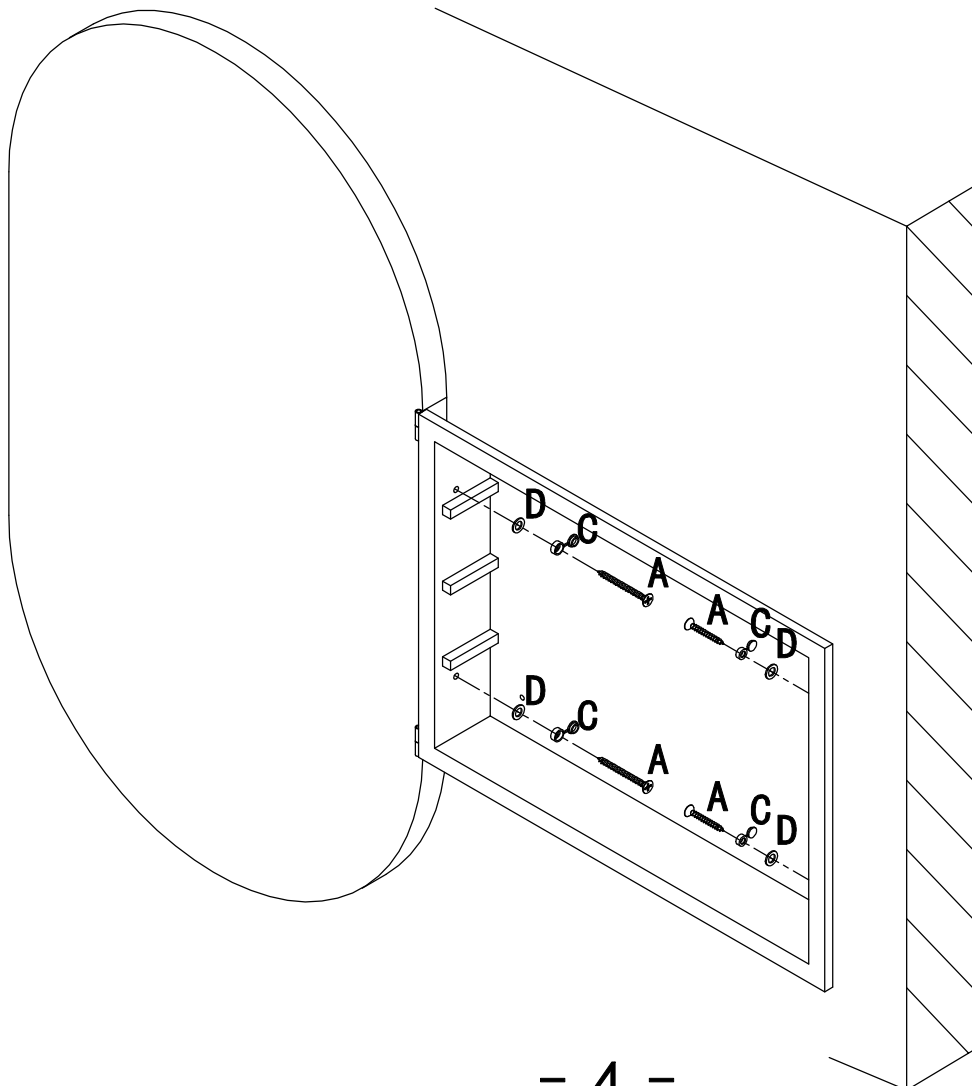
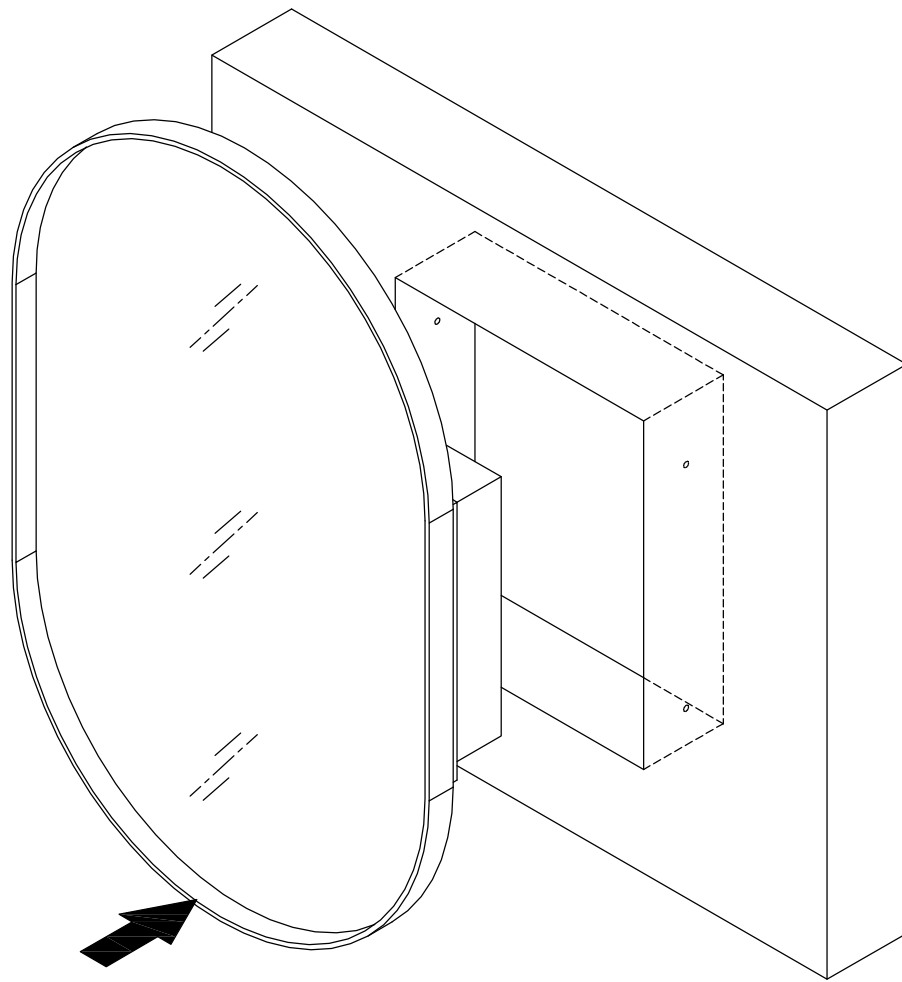
Rough Wall Opening

Overall Size	Rough Wall Opening
21 in.(W) X 34 in.(H) X 4.5 in.(D)	17.7 in.(W) X 19.6 in.(H) X 3.3 in.(D)



Mark four (4) mounting holes on the wall corresponding to the pre-drilled hole locations in the mounting bars on the inside back panel of the cabinet.





Surface installation

Mark four (4) mounting holes on the wall corresponding to the pre-drilled hole locations in the mounting bars on the inside back panel of the cabinet.

