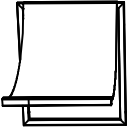

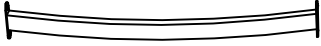
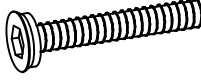



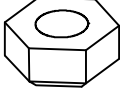

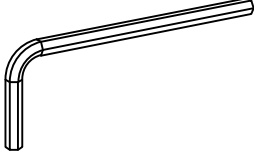
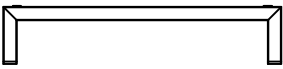
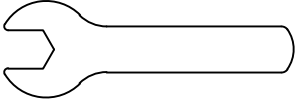
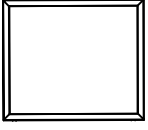
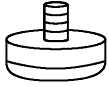


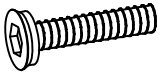
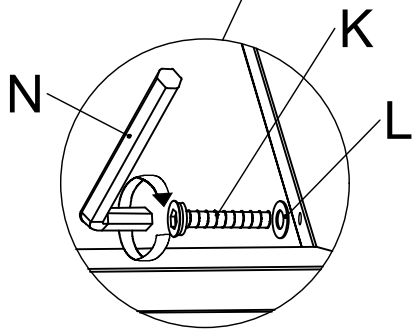
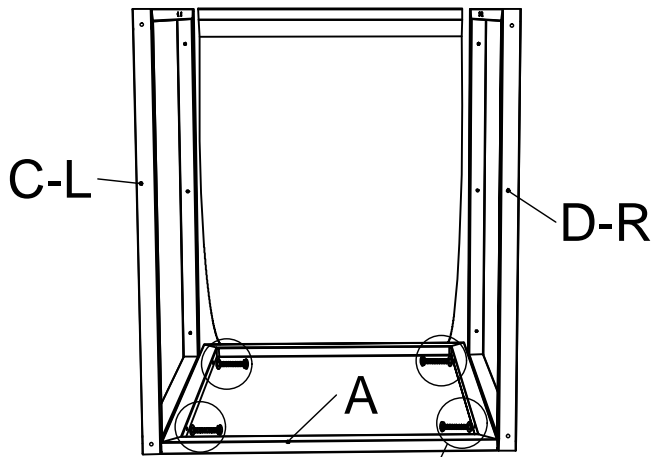
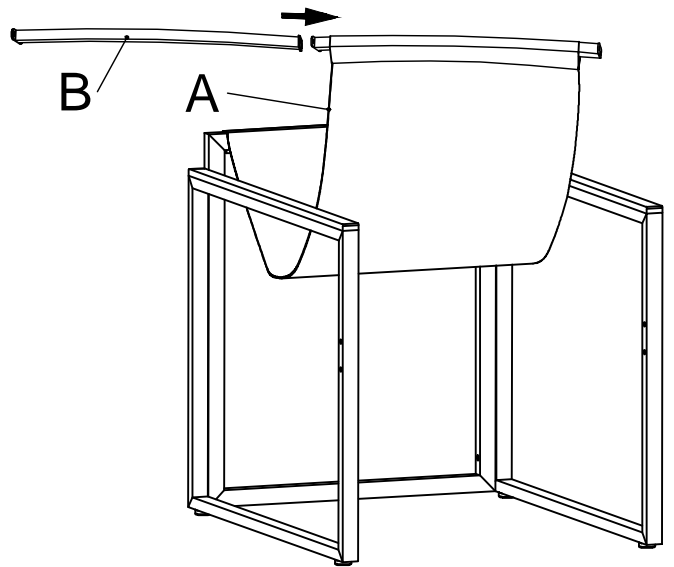
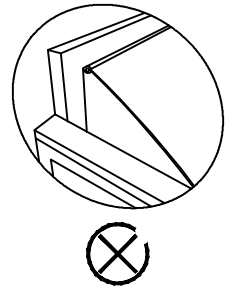
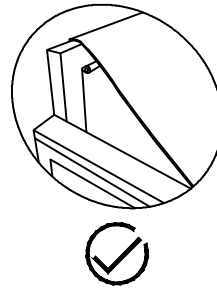


| | | | | | |
|-----|--|----|---|--|-----|
| A |  | 2x | J |  M6*40mm | 8x |
| B |  | 2x | K |  M6*45mm | 8x |
| C-L |  | 2x | L |  | 32x |
| D-R |  | 2x | M |  | 8x |
| E |  | 1x | N |  | 1x |
| F |  | 2x | O |  | 1x |
| G |  | 2x | P |  | 8x |
| H |  | 2x | Q |  | 4x |
| I |  M6*35mm | 8x | | | |

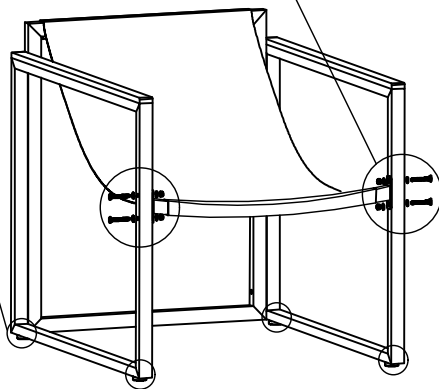
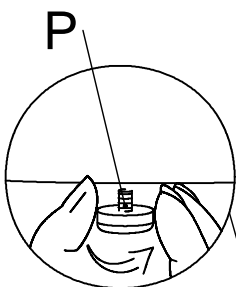
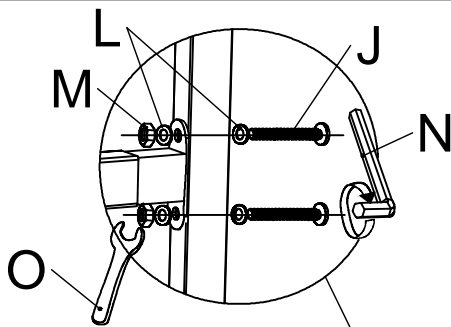
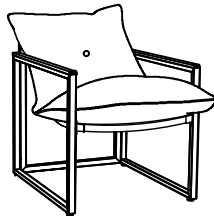
1



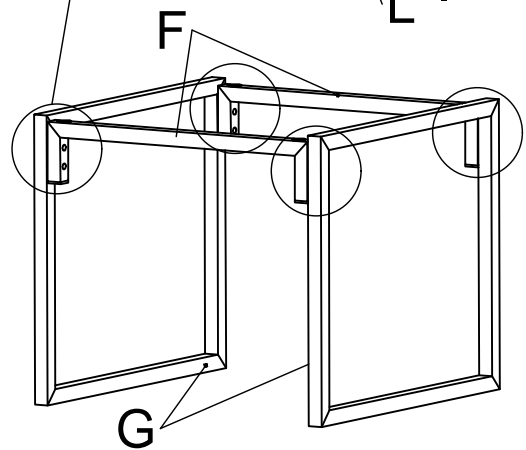
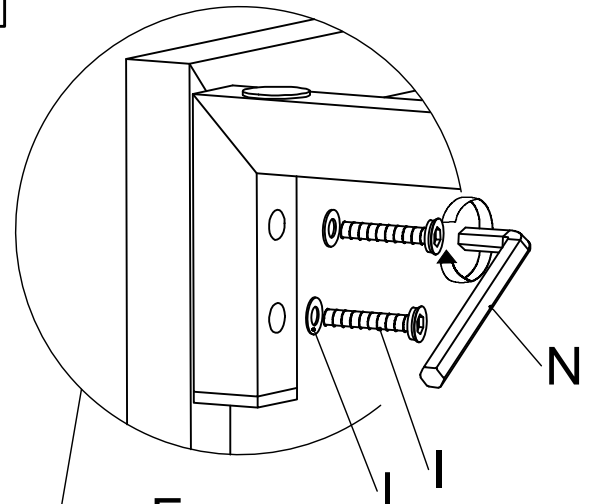
2



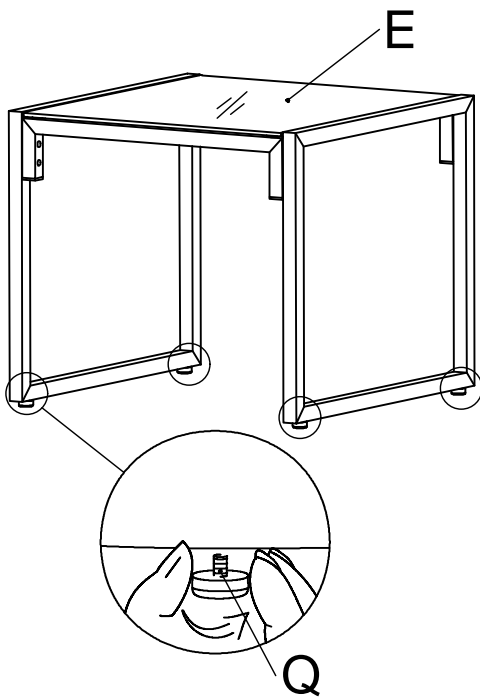
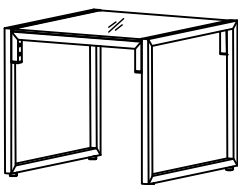
3



4



5



6

