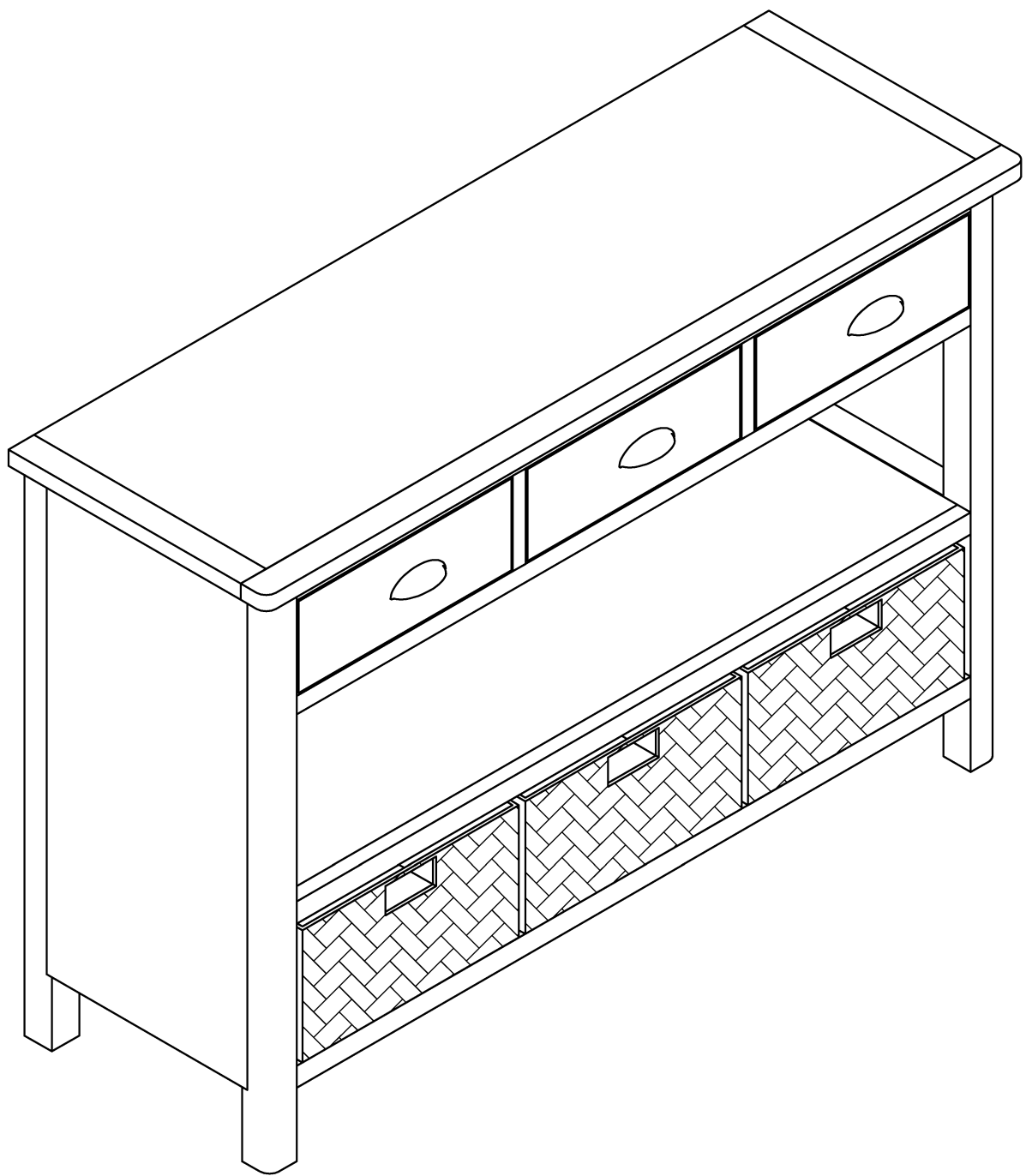


# ASSEMBLY INSTRUCTION



# ASSEMBLY INSTRUCTION

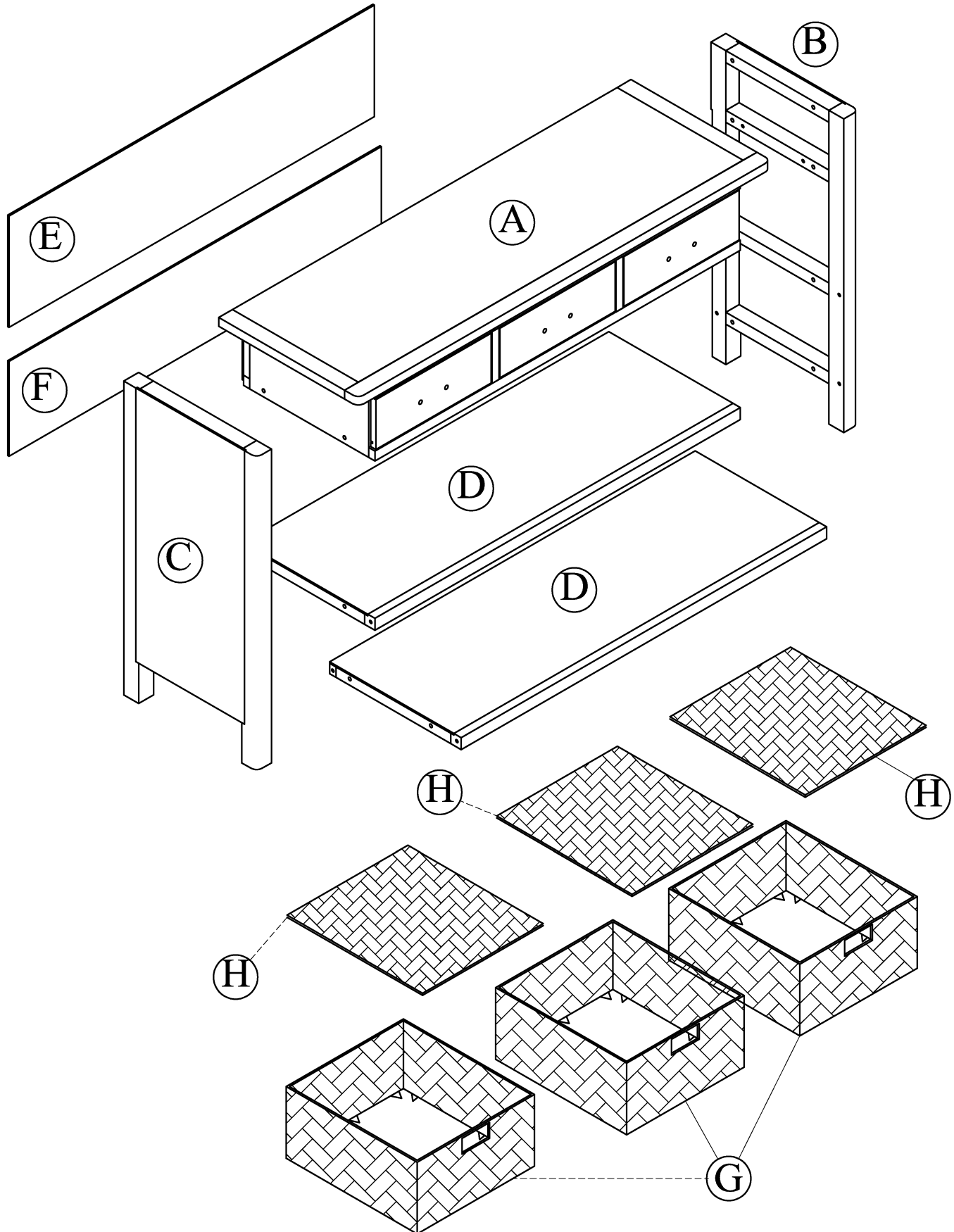
Please read these instructions fully before starting assembly:

1. Place all wooden parts on a clean and smooth surface such as a rug or carpet to avoid scratching the parts.
2. Kindly follow the assembly instructions step by step.
3. Do not tighten all screws and bolts until the table is fully assembled.
4. Unscrew the protective plastic supports from the metal insert of the table legs before assembly.
5. Parts of the assembly will be easier with 2 people.

Care and maintenance:

Only clean using a damp cloth and mild detergent, do not use bleach or abrasive cleaners.

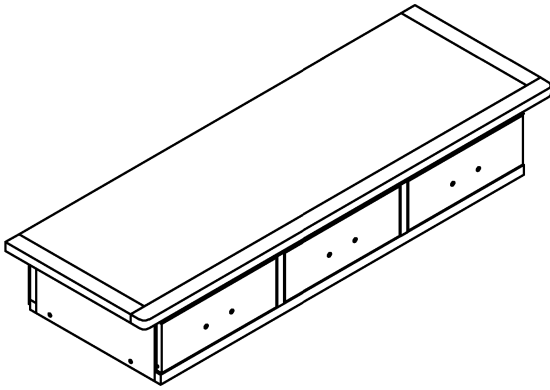
# ASSEMBLY INSTRUCTION



# ASSEMBLY INSTRUCTION

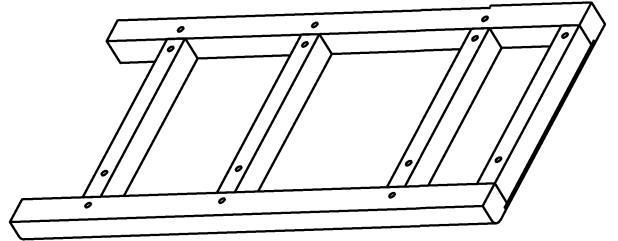
## Part List

(A)



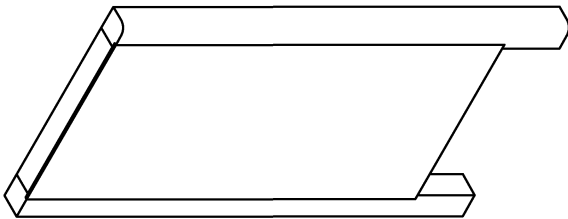
TOP FRAME =1PC

(B)



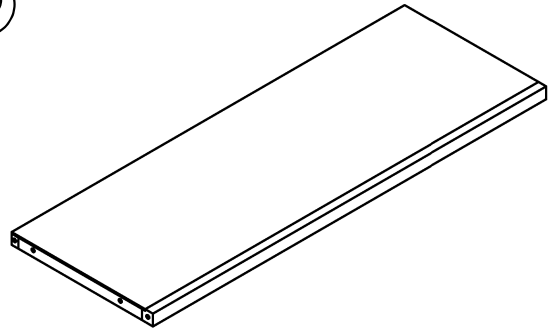
RIGHT LEG =1PC

(C)



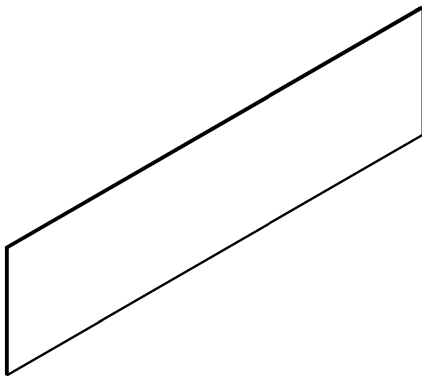
LEFT LEG =1PC

(D)



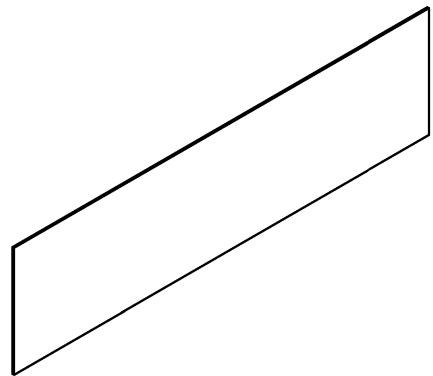
SHELF & BOTTOM =2PCS

(E)



BACK PANEL (UPPER) =1PC

(F)



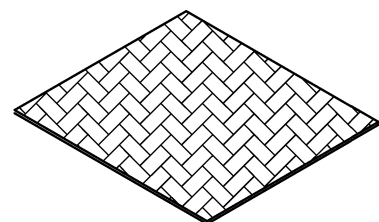
BACK PANEL (LOWER) =1PC

(G)



FRAME OF BASKETS =3PCS

(H)

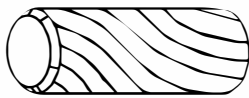


BOTTOM OF BASKETS =3PCS

# ASSEMBLY INSTRUCTION

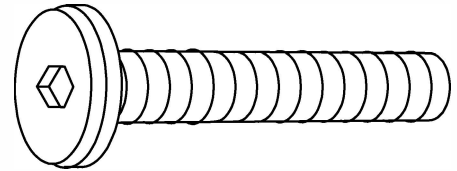
## Hardware List

①



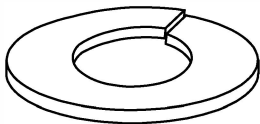
WOODEN DOLWEL 8 X 30 =12PCS

②



BOLT 1/4" X 30 =16PCS

③



SPRING WASHER =16PCS

④



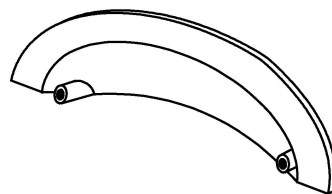
FLAT WASHER =16PCS

⑤



ALLEN KEY K4 X 90 =1PC

⑥



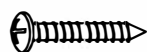
HANDLE= 3PCS

⑦



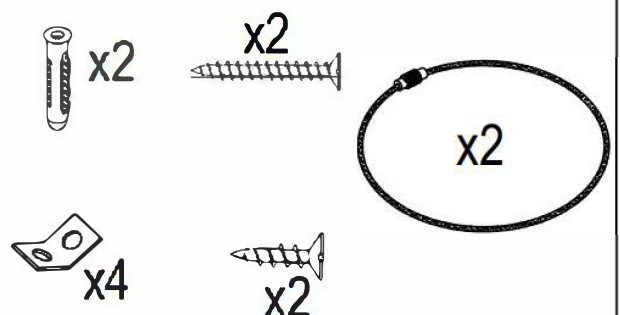
BOLT OF HANDLE M4 X10=6PCS

⑧



MUSHROOM SCREW M3.5 X15=26PCS

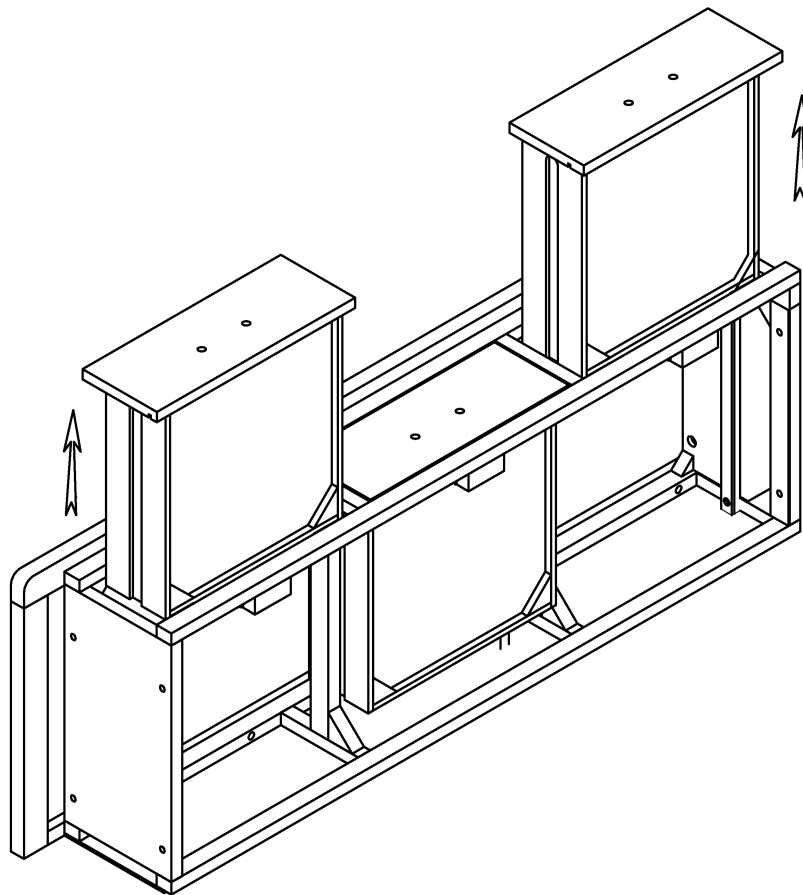
⑨



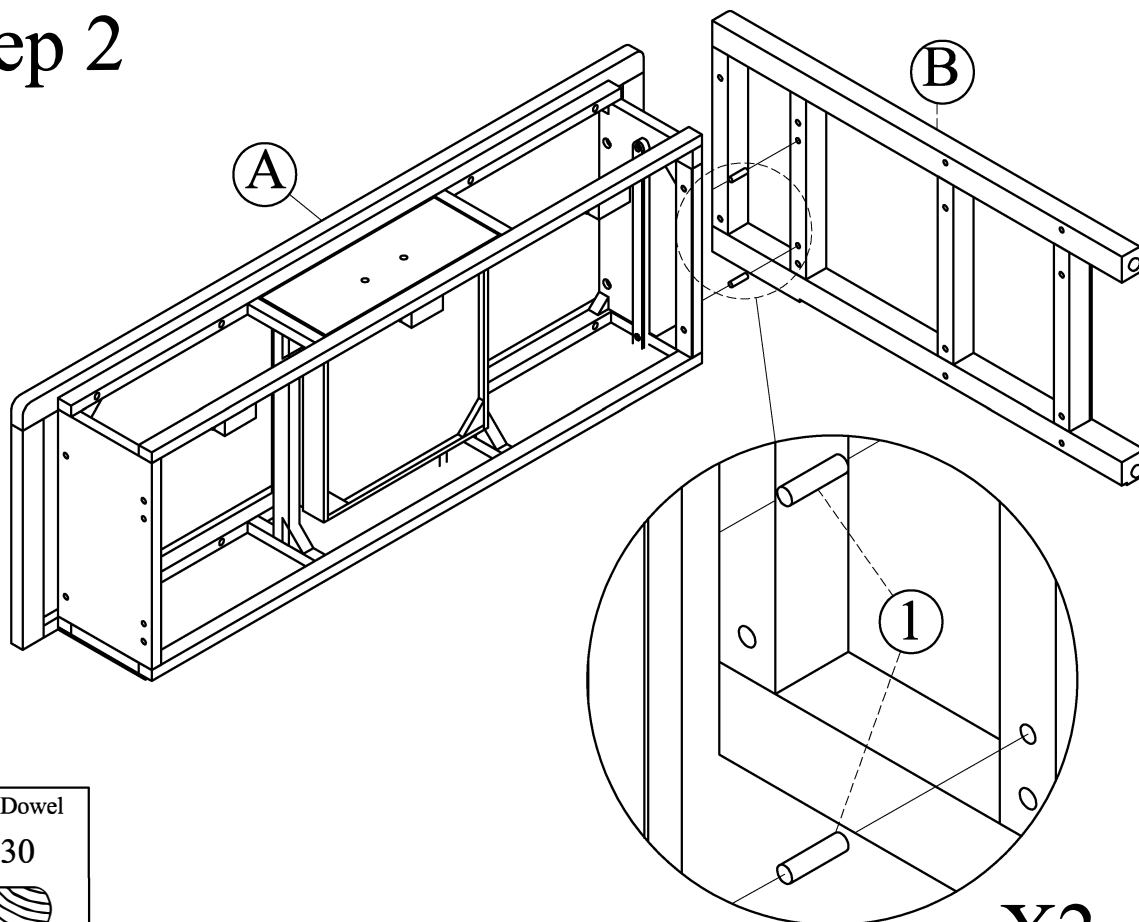
ANTITIP KIT =2SETS

# ASSEMBLY INSTRUCTION

## Step 1



## Step 2



Wooden Dowel

Ø8 x 30

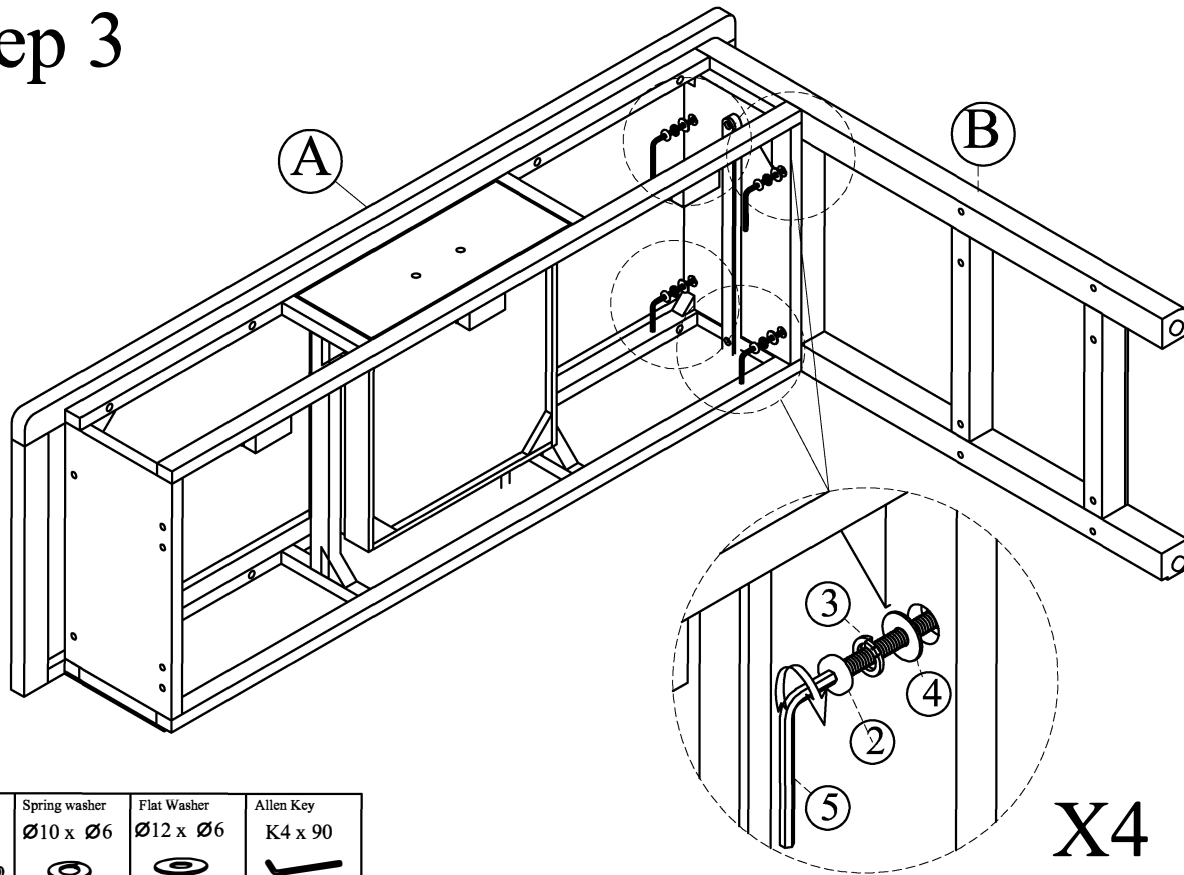






① x 2

X2

# ASSEMBLY INSTRUCTION

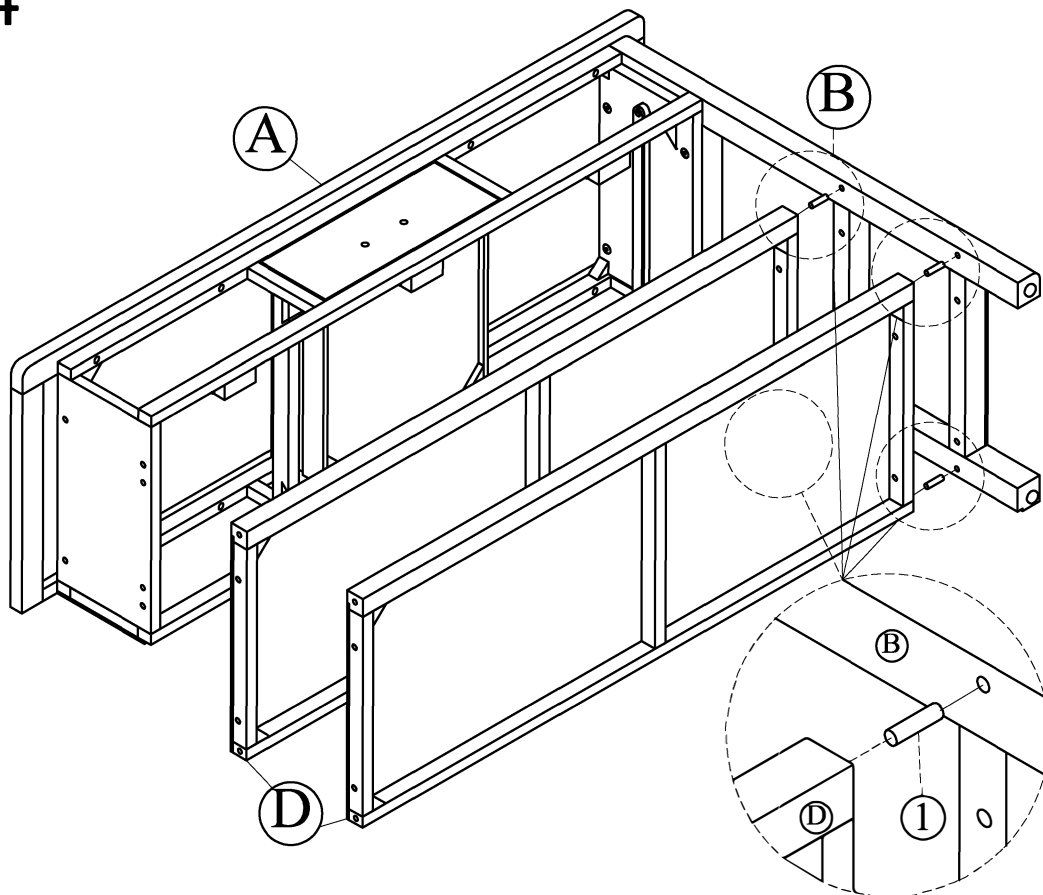
## Step 3



Bolt 1/4 x 30	Spring washer Ø10 x Ø6	Flat Washer Ø12 x Ø6	Allen Key K4 x 90
			
② x 4	③ x 4	④ x 4	⑤ x 1

X4

## Step 4



Wooden Dowel

Ø8 x 30

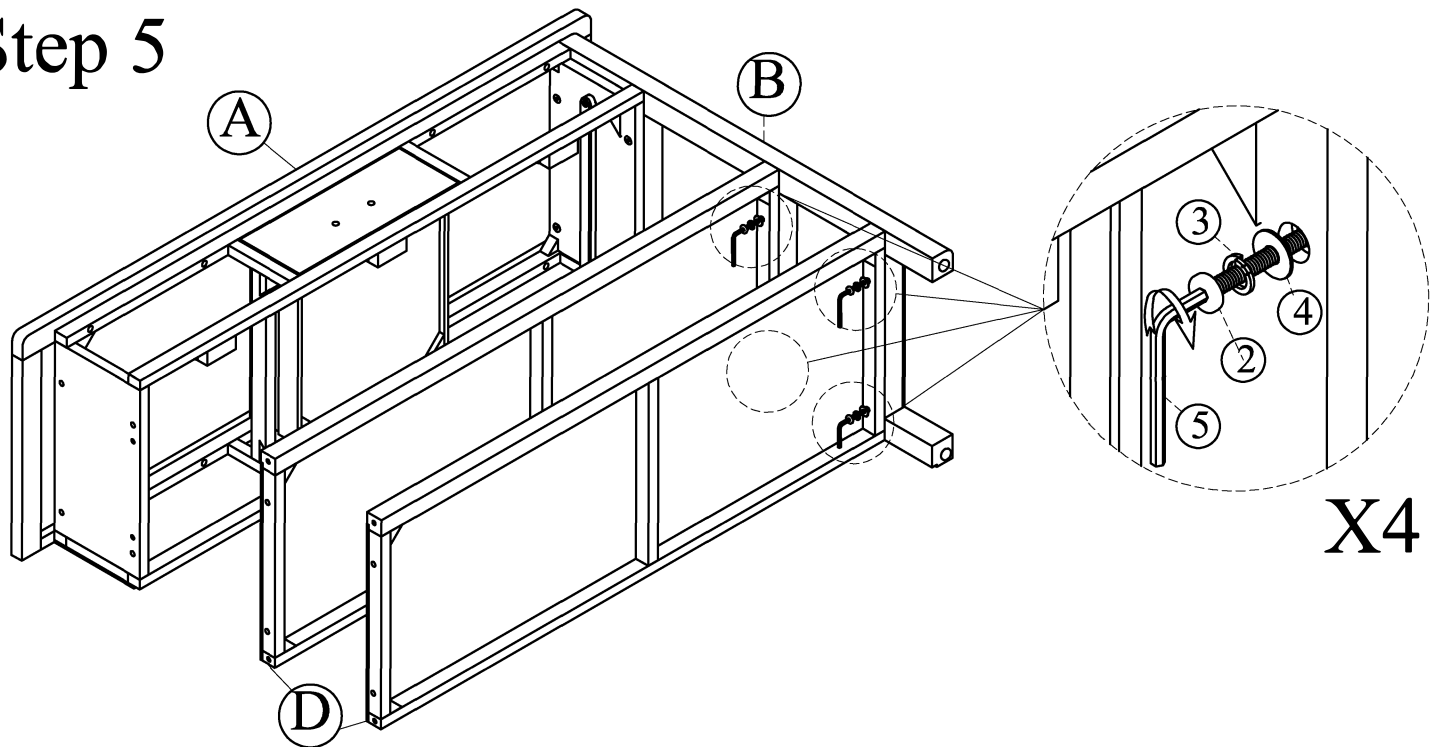






① x 4

X4

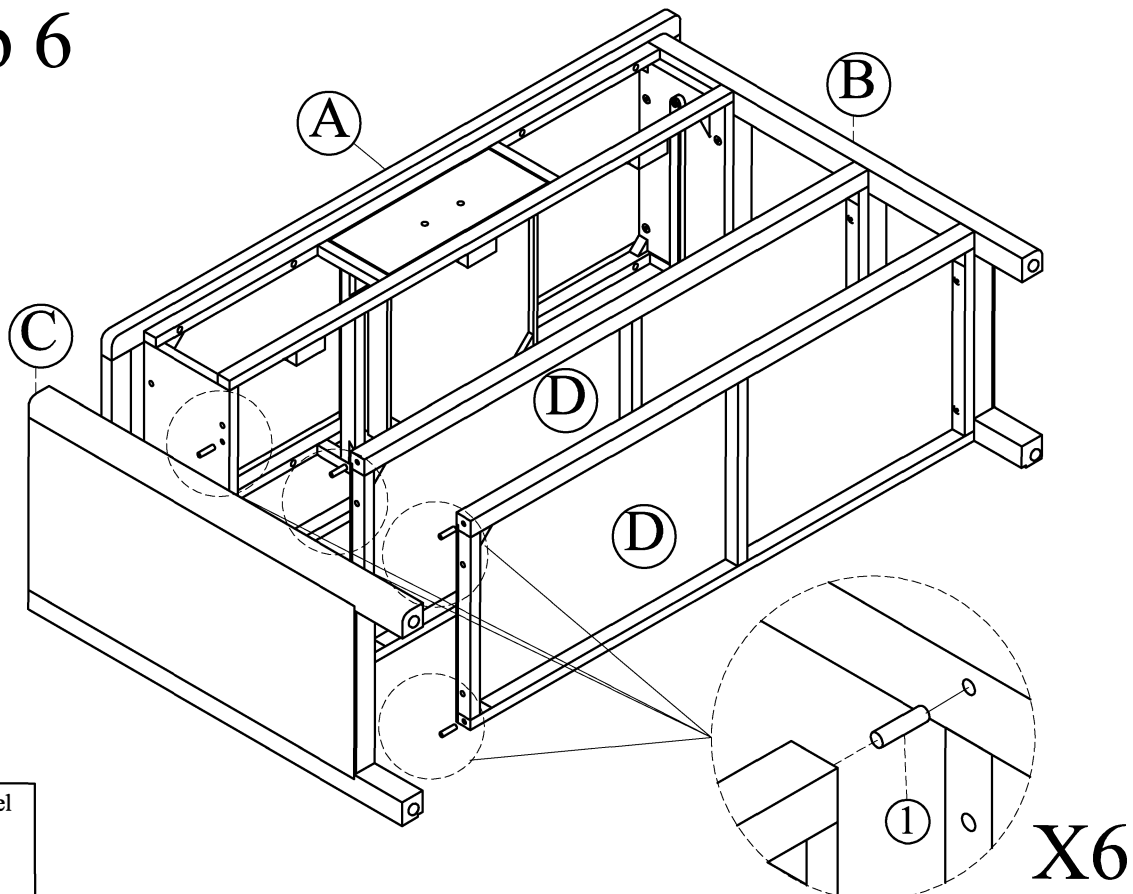
# ASSEMBLY INSTRUCTION

## Step 5



Bolt	Spring washer	Flat Washer	Allen Key
1/4 x 30	Ø10 x Ø6	Ø12 x Ø6	K4 x 90
			
② x 4	③ x 4	④ x 4	⑤ x 1

## Step 6



Wooden Dowel

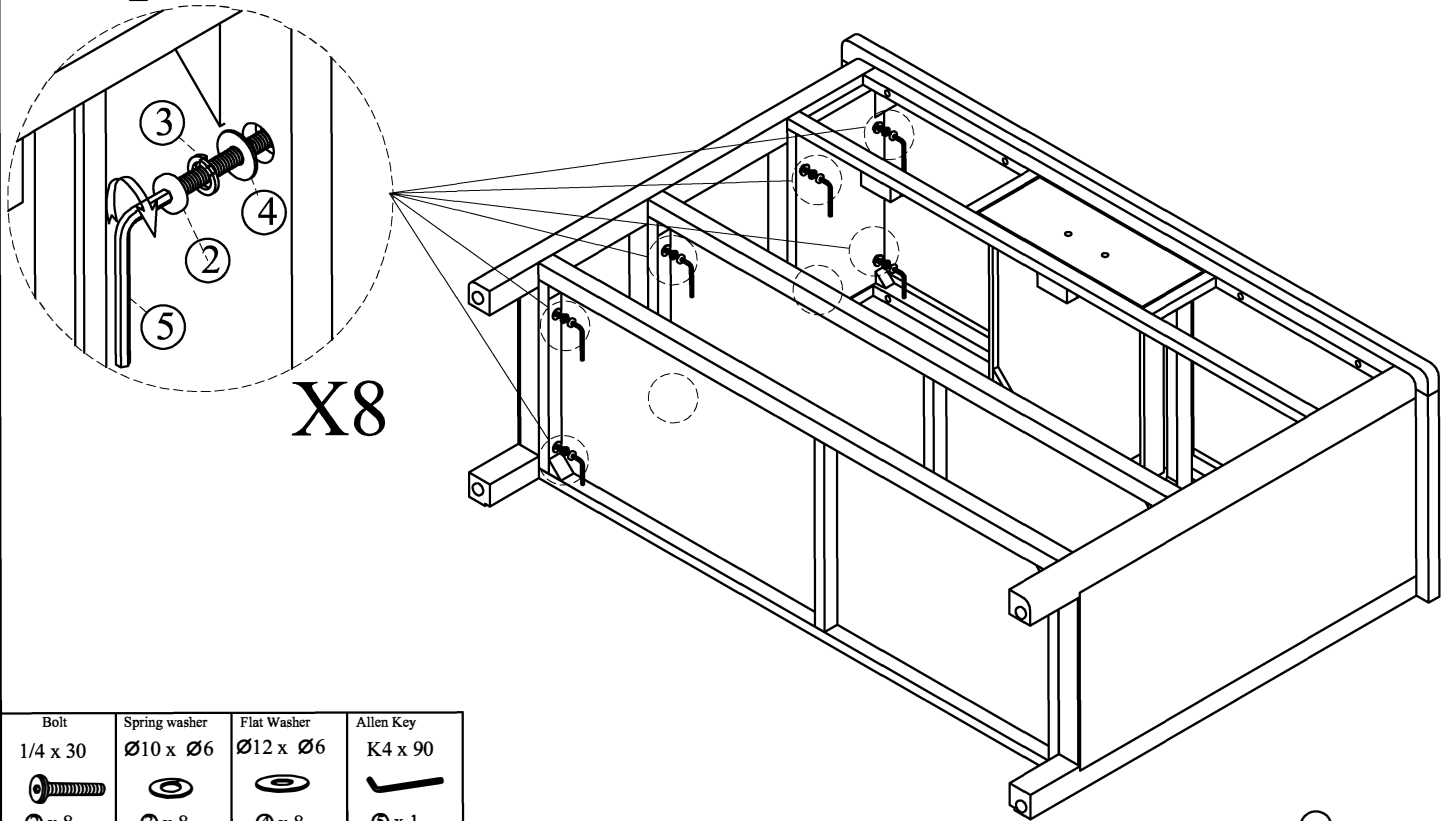
Ø8 x 30







① x 6

# ASSEMBLY INSTRUCTION

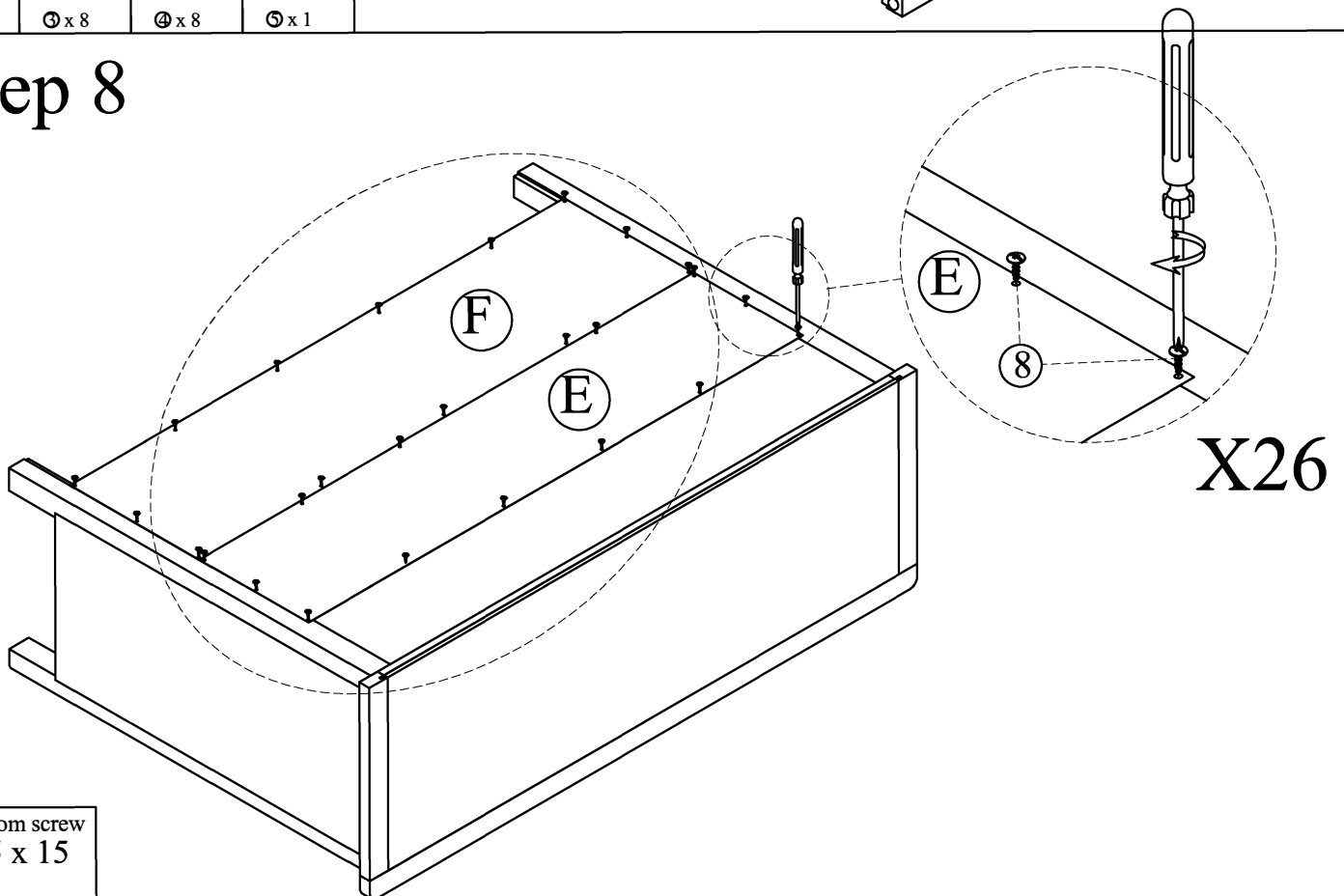
## Step 7



X8

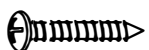
Bolt	Spring washer	Flat Washer	Allen Key
1/4 x 30	Ø10 x Ø6	Ø12 x Ø6	K4 x 90
			
⊘ x 8	⊘ x 8	⊘ x 8	⊘ x 1

## Step 8



X26

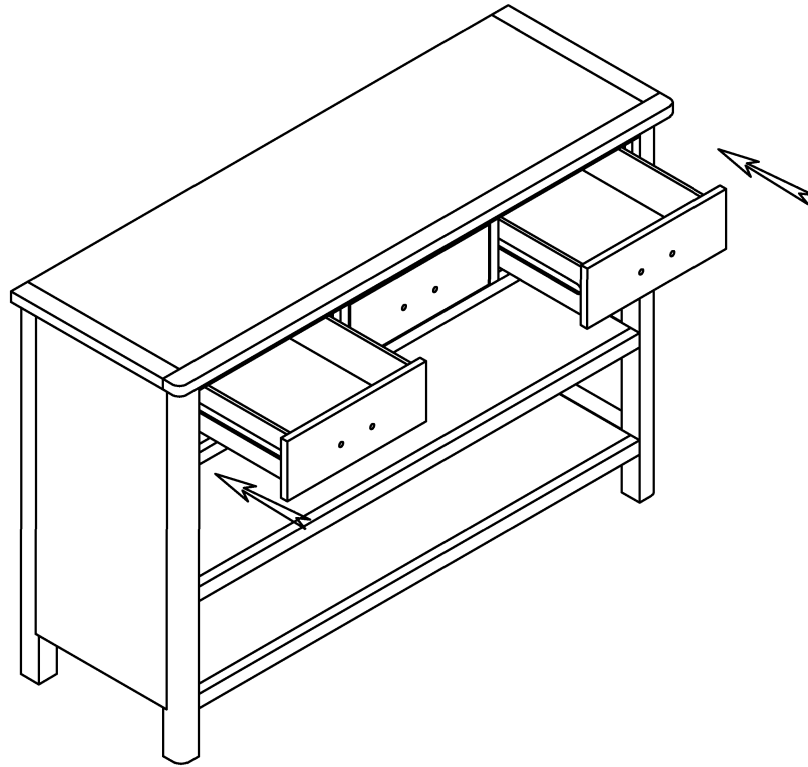
Mushroom screw  
M3.5 x 15



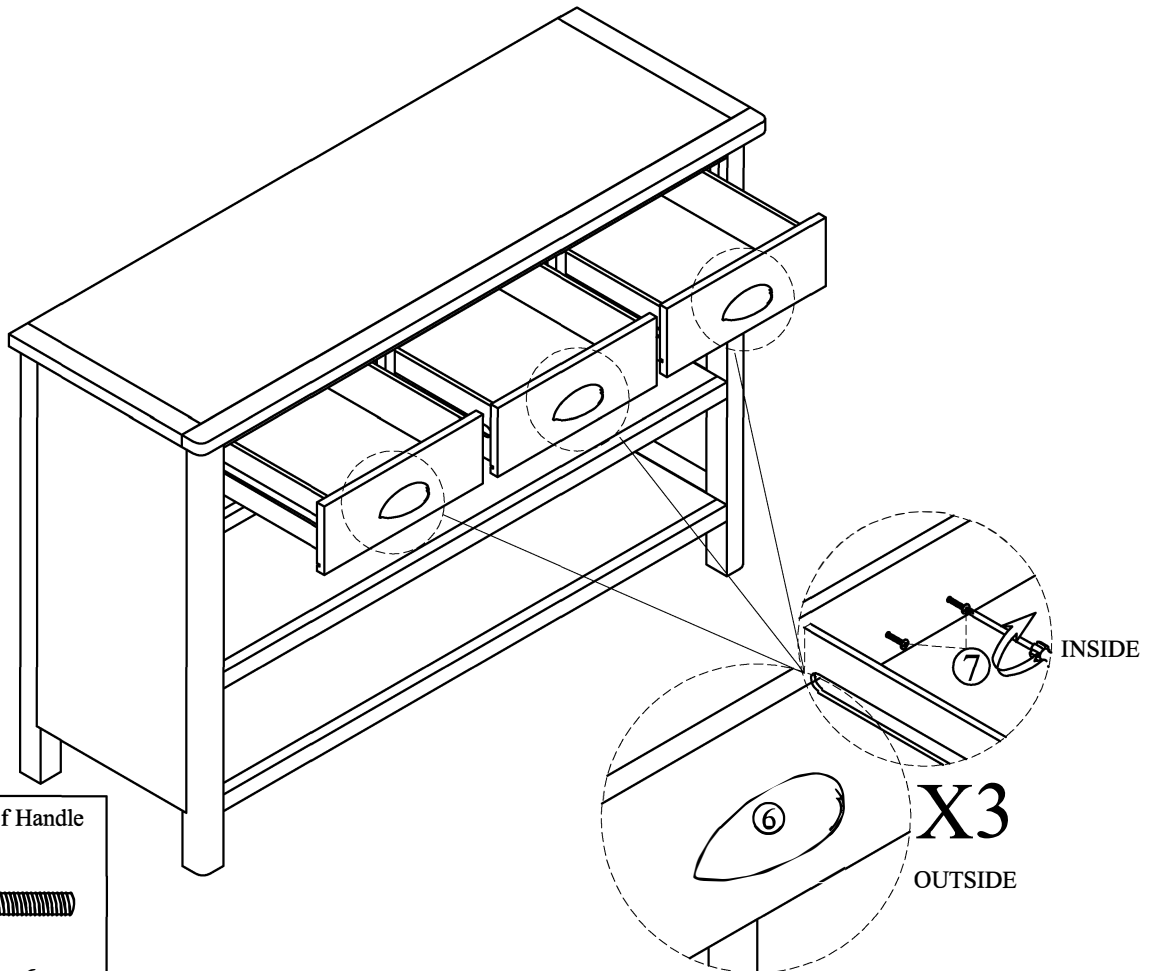
⊘ x 26

# ASSEMBLY INSTRUCTION

## Step 9

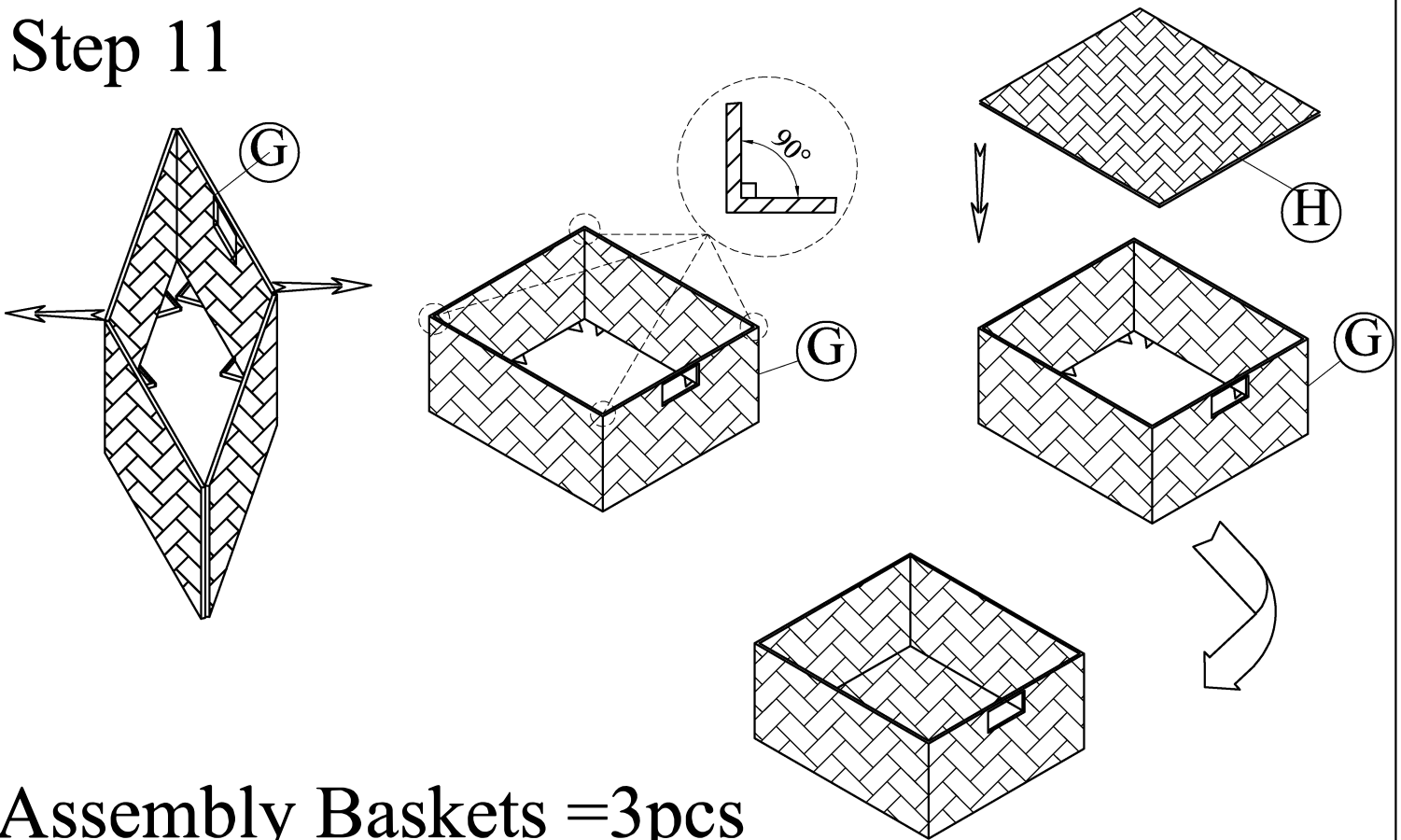


## Step 10

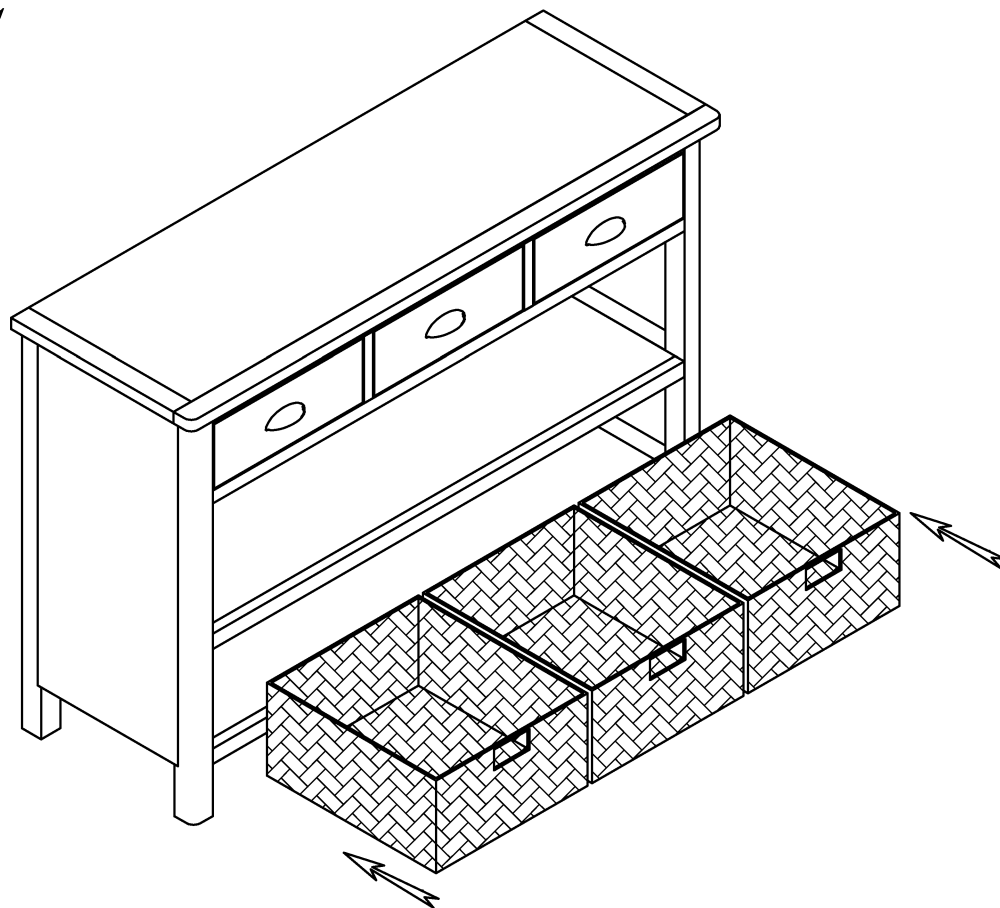


# ASSEMBLY INSTRUCTION

## Step 11

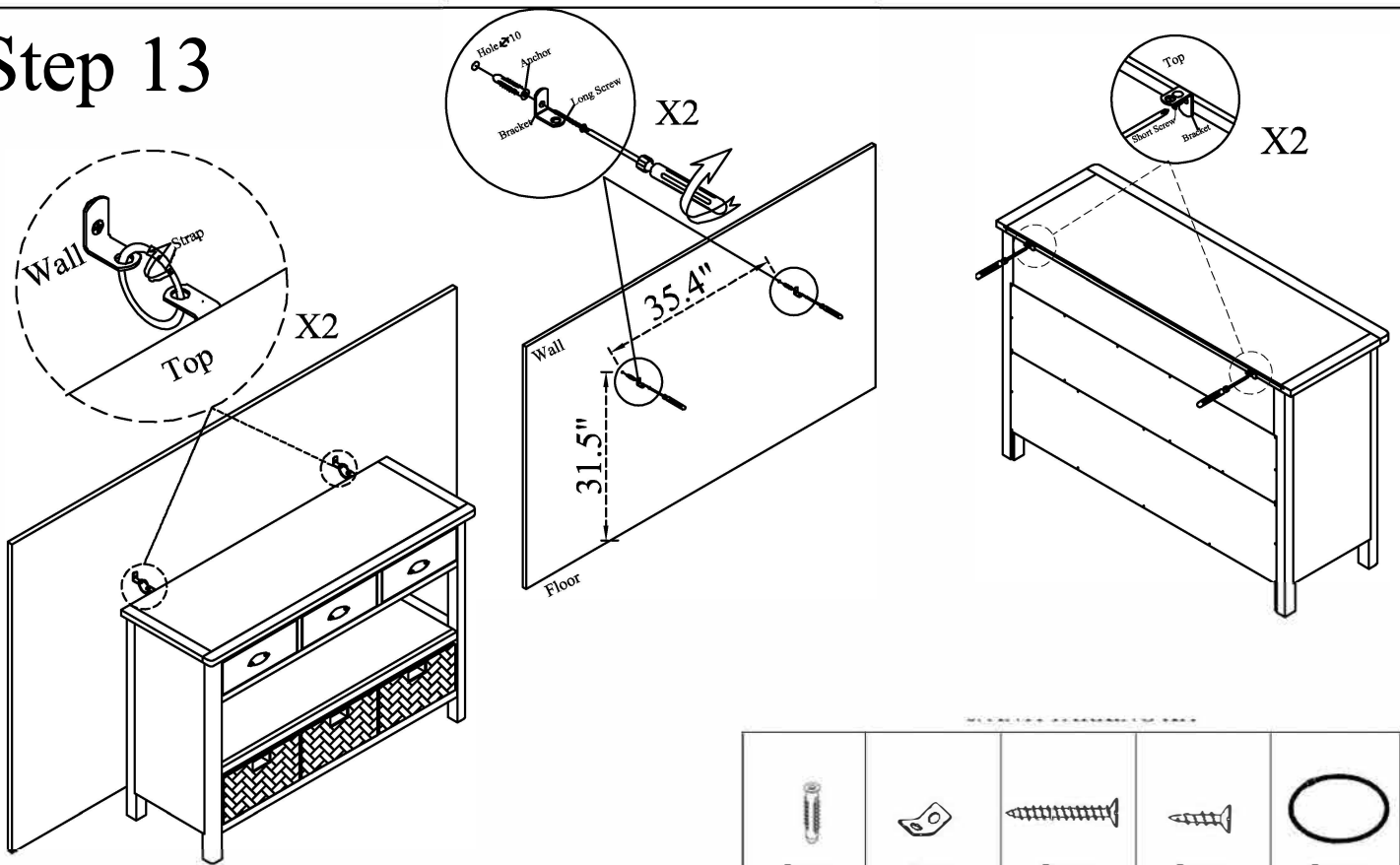




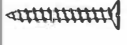


## Step 12

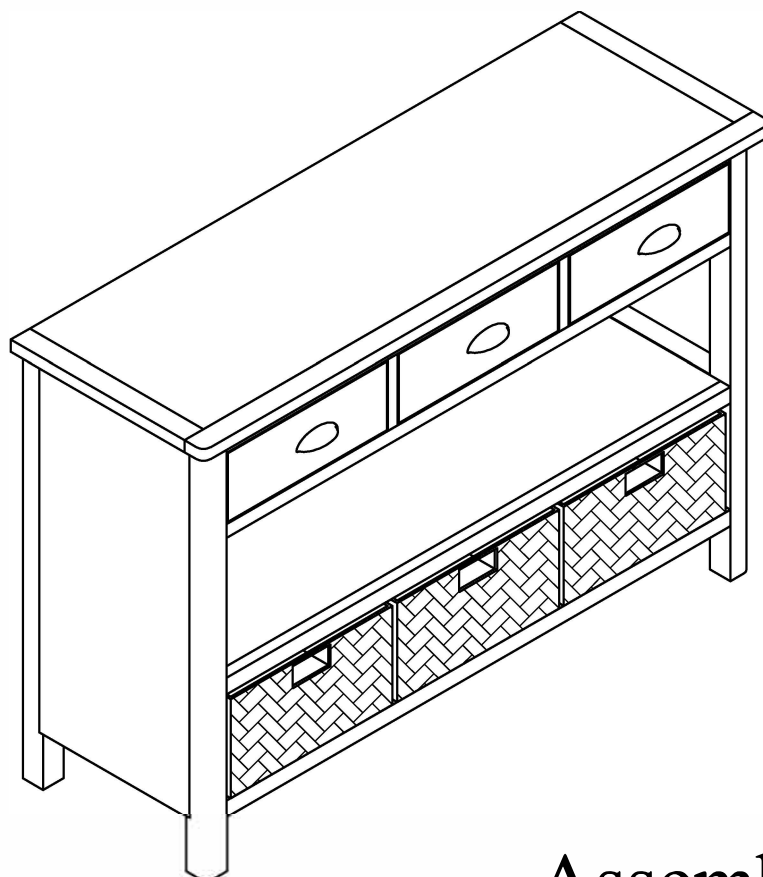


# ASSEMBLY INSTRUCTION

## Step 13



				
2 pcs	4 pcs	2 pcs	2 pcs	2 pcs



Assembly Completed