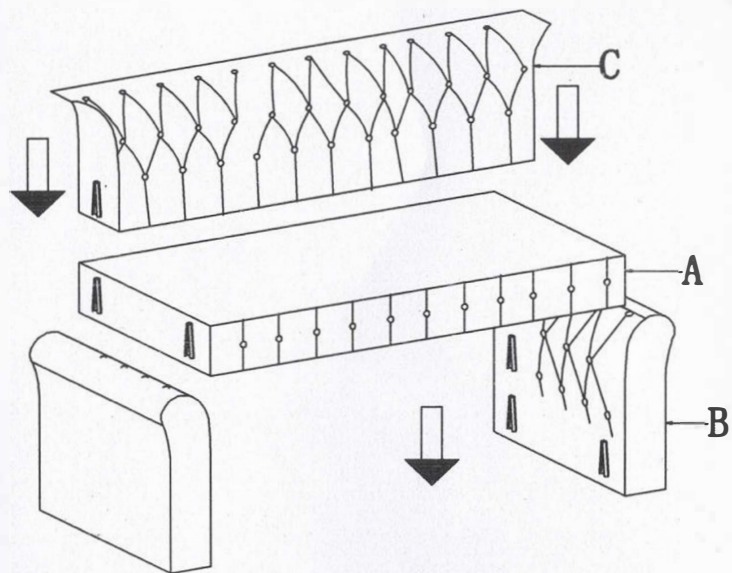
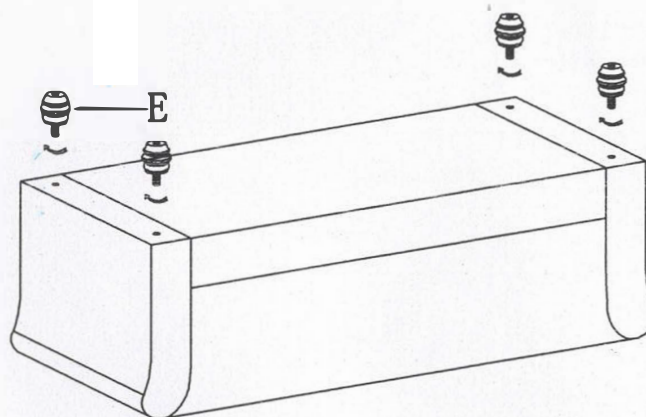


# ASSEMBLY INSTRUCTION

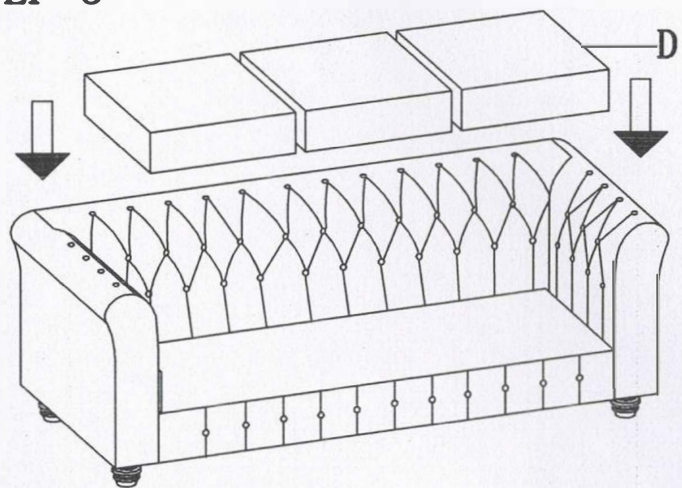
STEP 1



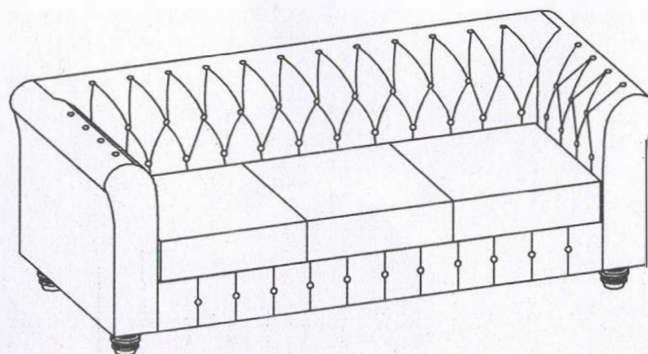
STEP 2



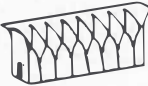




STEP 3



FINISH



A		1 PC
B		2 PCS
C		1 PC
D		3 PCS
E		4 PCS