

# Assembly Instructions

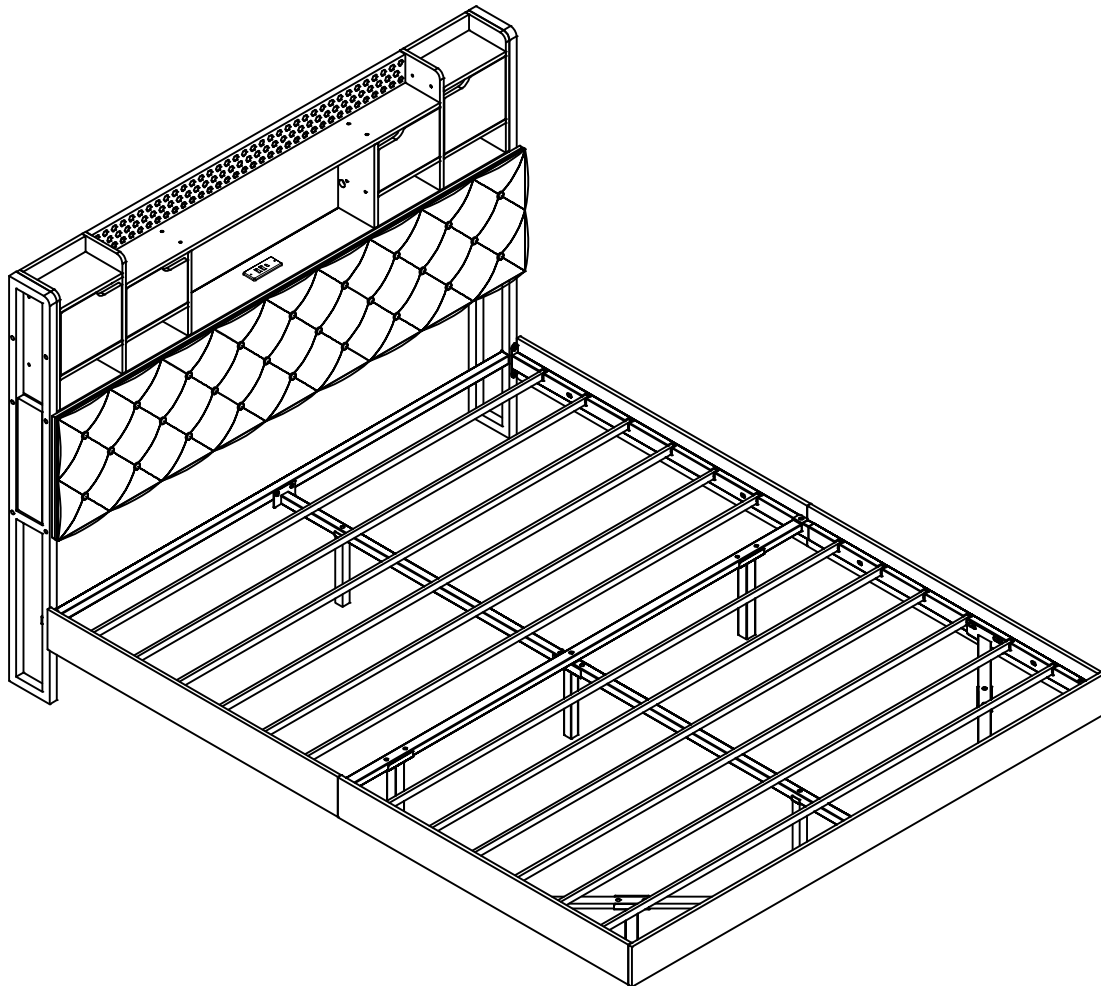
Please check that you have all the parts listed before you start assembling, if you do find that something is missing, do not continue assembly, please contact us immediately.

NOTE: Please do not completely tighten all the hardware until the entire assembly is complete!

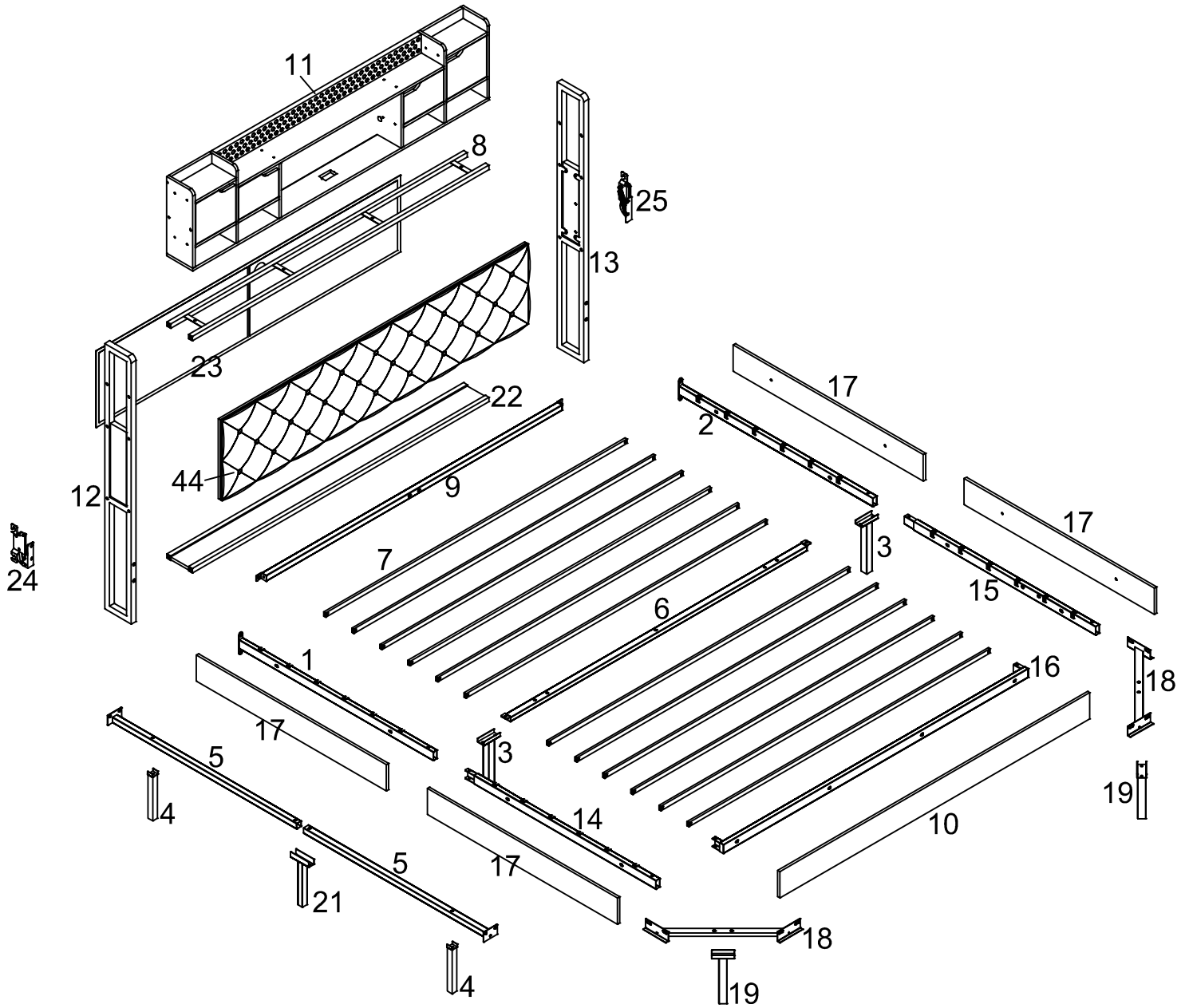
## Bauanleitung

Bitte überprüfen Sie, ob alle Teile mitgeliefert sind, bevor Sie mit der Montage beginnen. Wenn Sie festlegen, dass etwas fehlt, setzen Sie die Montage nicht fort. Bitte kontaktieren Sie uns sofort.

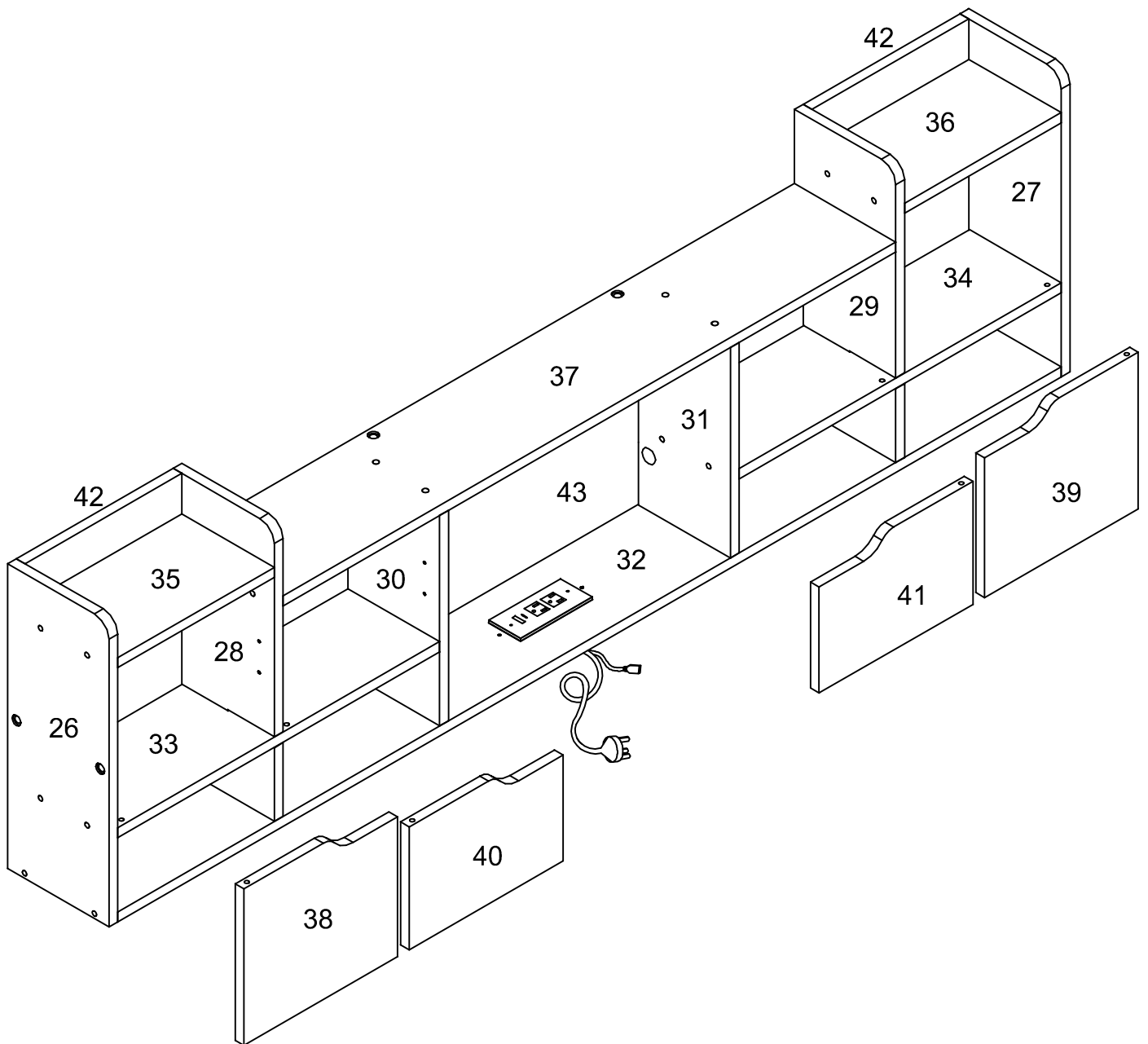
Achtung: Bitte ziehen Sie nicht alle Schrauben fest, bevor die Montage abgeschlossen ist!



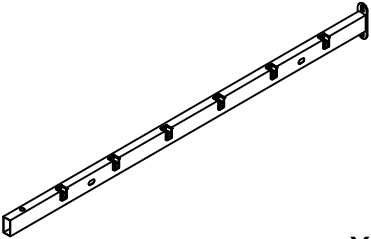
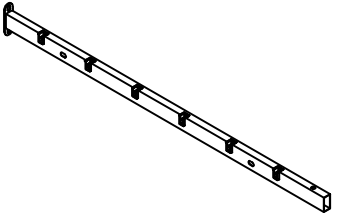
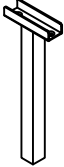

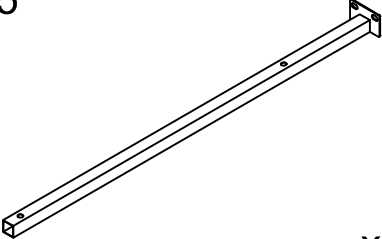
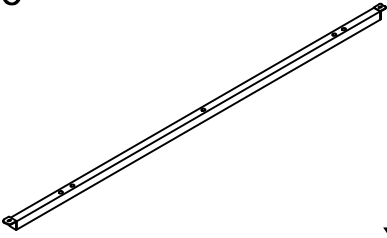
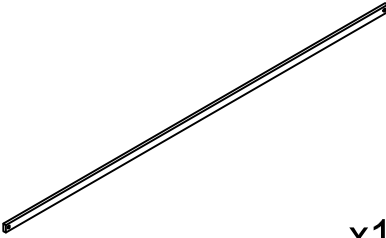
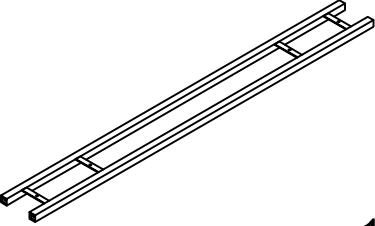
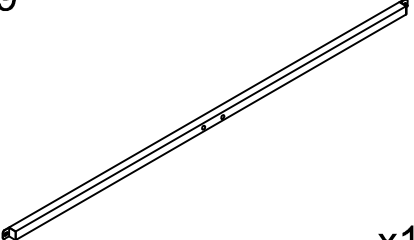
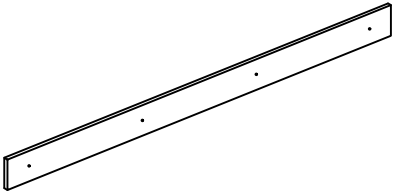
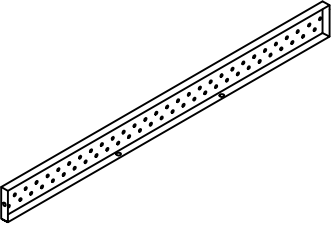


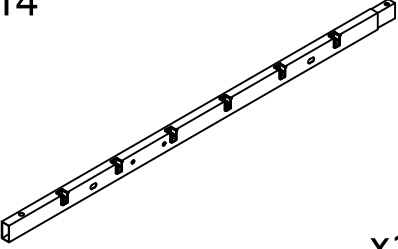
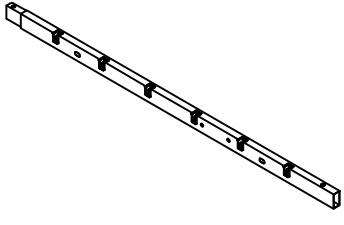
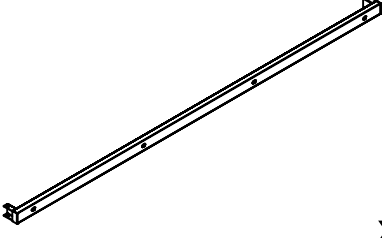
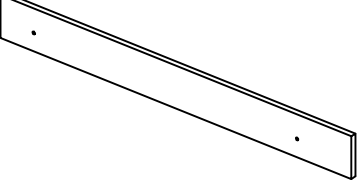
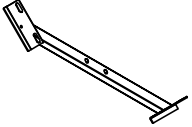
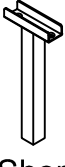
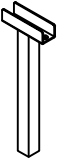
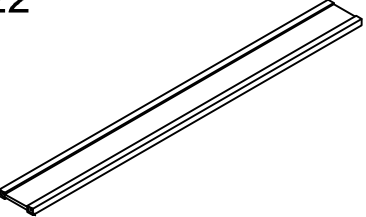
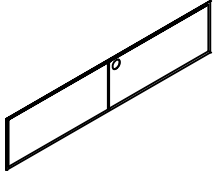





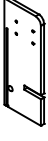
# Stückliste



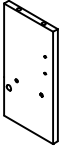
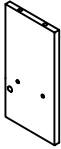
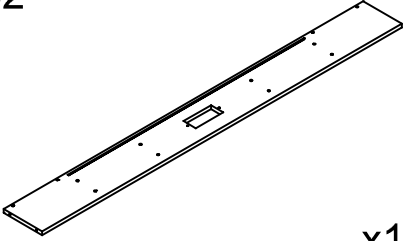
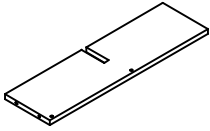
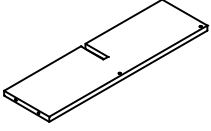
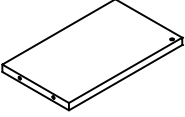
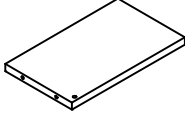
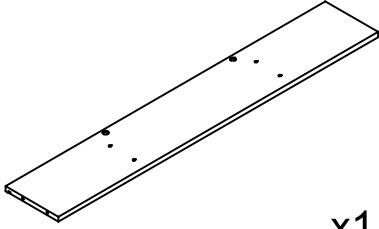
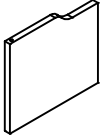
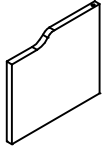
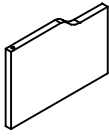
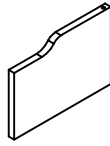

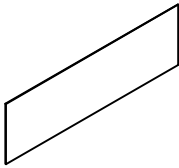
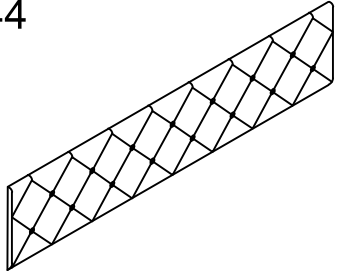
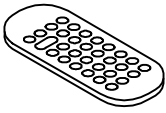
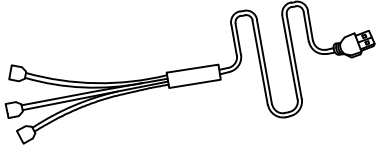

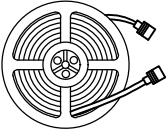

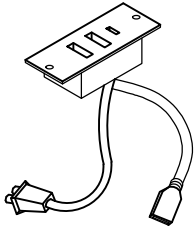
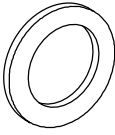
# Stückliste







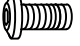




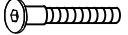

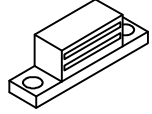
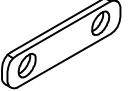





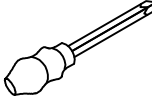
# Part List-Stückliste

|   |  |  |   |   |   |
|---|--|--|---|---|---|
| <p>1</p>  <p>x1</p>    | <p>2</p>  <p>x1</p>                | <p>3</p>  <p>Long</p> <p>x2</p> | <p>4</p>  <p>x2</p>    |   |   |
| <p>5</p>  <p>x2</p>    | <p>6</p>  <p>x1</p>                 | <p>7</p>  <p>x12</p>            |   |   |   |
| <p>8</p>  <p>x1</p>    | <p>9</p>  <p>x1</p>                | <p>10</p>  <p>x1</p>            |   |   |   |
| <p>11</p>  <p>x1</p> | <p>12</p>  <p>x1</p>              | <p>13</p>  <p>x1</p>            | <p>14</p>  <p>x1</p> |   |   |
| <p>15</p>  <p>x1</p> | <p>16</p>  <p>x1</p>              | <p>17</p>  <p>x4</p>          |   |   |   |
| <p>18</p>  <p>x2</p> | <p>19</p>  <p>Short</p> <p>x2</p> | <p>21</p>  <p>x1</p>            | <p>22</p>  <p>x1</p>  | <p>23</p>  <p>x1</p> |   |
| <p>24</p>  <p>x1</p> | <p>25</p>  <p>x1</p>              | <p>26</p>  <p>x1</p>            | <p>27</p>  <p>x1</p>   | <p>28</p>  <p>x1</p> | <p>29</p>  <p>x1</p> |

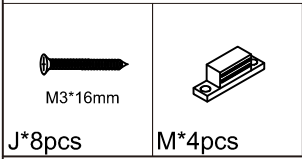
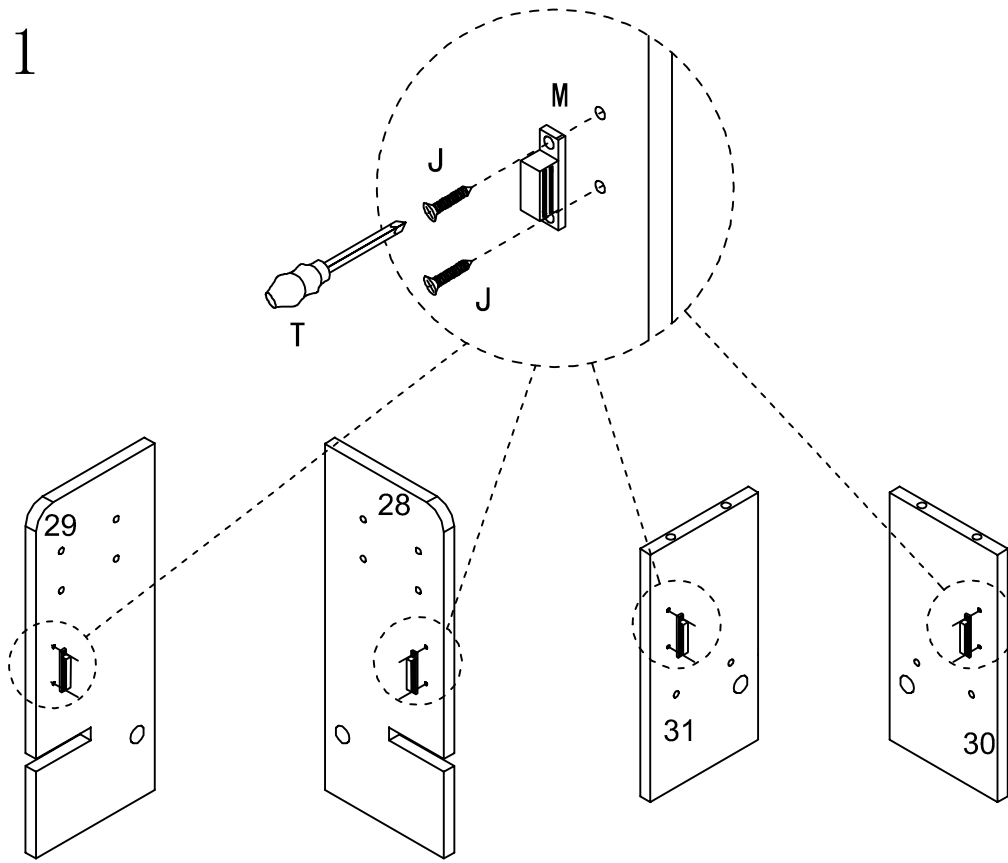
# Part List-Stückliste

|   |  |  |   |  |
|---|--|--|---|--|
| <p>30</p>  <p>x1</p>                         | <p>31</p>  <p>x1</p>                          | <p>32</p>  <p>x1</p>                     | <p>33</p>  <p>x1</p> | <p>34</p>  <p>x1</p>                            |
| <p>35</p>  <p>x1</p>                         | <p>36</p>  <p>x1</p>                          | <p>37</p>  <p>x1</p>                     | <p>38</p>  <p>x1</p> | <p>39</p>  <p>x1</p>                            |
| <p>40</p>  <p>x1</p>                         | <p>41</p>  <p>x1</p>                          | <p>42</p>  <p>x2</p>                      | <p>43</p>  <p>x1</p>  | <p>44</p>  <p>x1</p>                            |
| <p>45</p>  <p>Remote control</p> <p>x1</p> |  | <p>46</p>  <p>Power cord</p> <p>x1</p> |   | <p>47</p>  <p>Strap magic tape</p> <p>x12</p> |
| <p>48</p>  <p>Long light bar</p> <p>x1</p> | <p>49</p>  <p>Short light bar</p> <p>x1</p> | <p>50</p>  <p>x1</p>                  |   |  |
| <p>51</p>  <p>x1</p>                       |  |  |   |  |

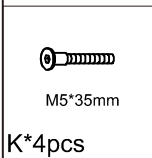
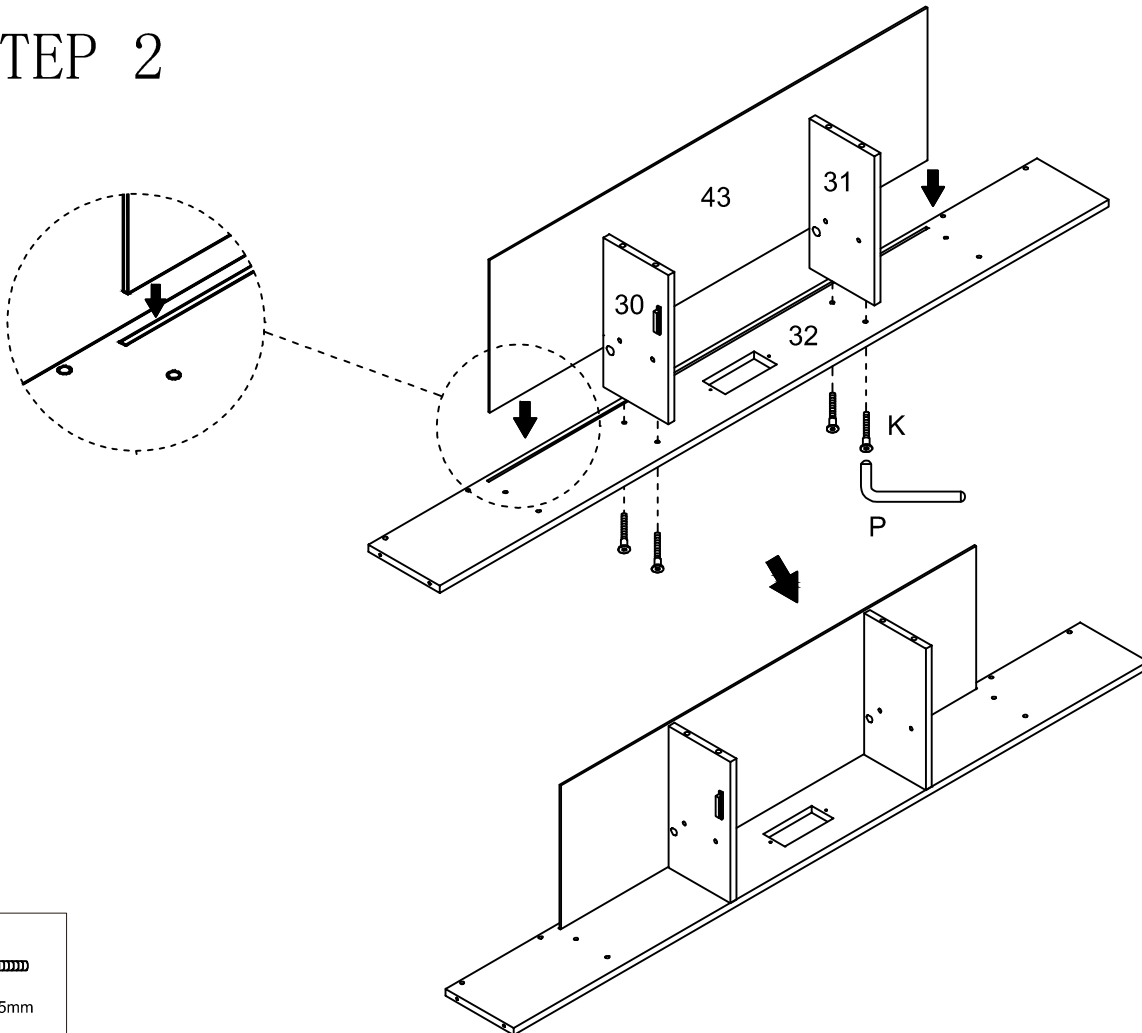
# Hardware List- Hardware-Liste

|  |  |  |  |
|--|--|--|--|
| <br>M6*10MM<br><b>A*12+1PCS</b> | <br>M6*28MM<br><b>B*12+1PCS</b> | <br>M6*33MM<br><b>C*4+1PCS</b> | <br>M6*45MM<br><b>D*8+1PCS</b>  |
| <br>M8*15MM<br><b>E*26+2PCS</b> | <br>M8*35MM<br><b>F*12+1PCS</b> | <br>M8*55MM<br><b>G*5+1PCS</b> | <br>M3*12MM<br><b>H*10+1PCS</b> |
| <br>M3*16MM<br><b>J*8+1PCS</b>  | <br>M5*35MM<br><b>K*44+2PCS</b> | <br>M8<br><b>L*4+1PCS</b>      | <br><b>M*4+1PCS</b>             |
| <br><b>N*4+1PCS</b>            | <br><b>O*8+1PCS</b>            | <br>M5<br><b>P*1PC</b>         | <br>M6<br><b>Q*1PC</b>          |
| <br>M8<br><b>R*1PC</b>        | <br>M8<br><b>S*1PC</b>        | <br><b>T*1PC</b>             |  |
|  |  |  |  |
|  |  |  |  |
|  |  |  |  |

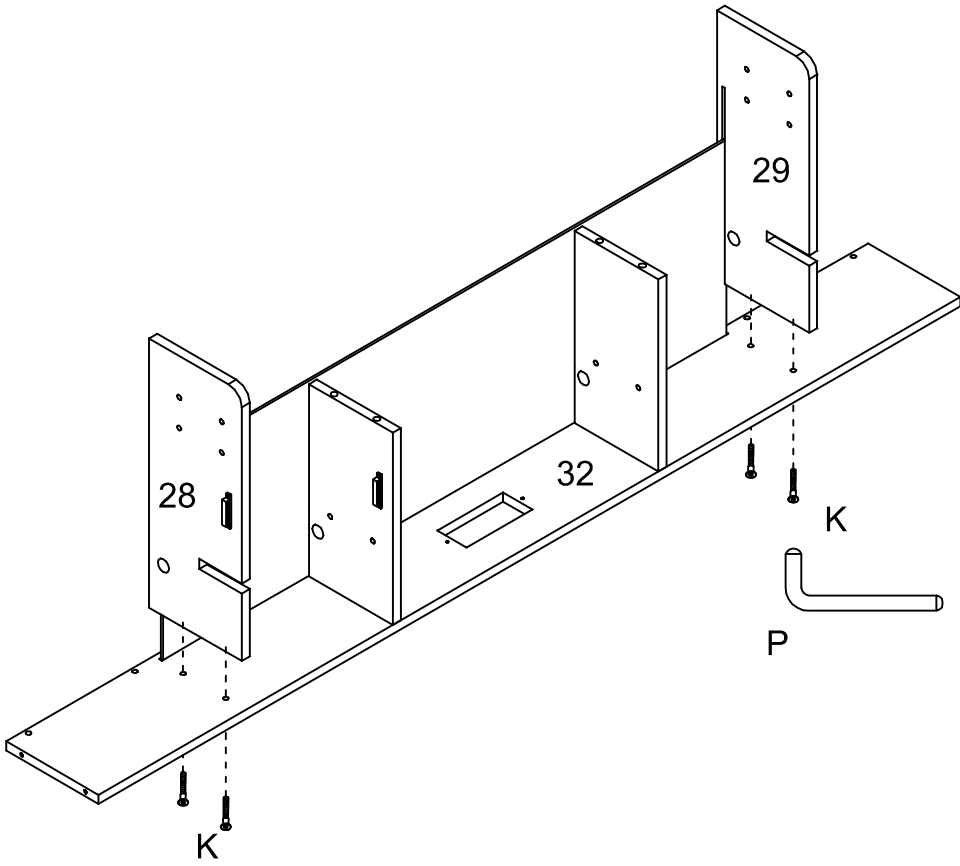
# STEP 1



# STEP 2



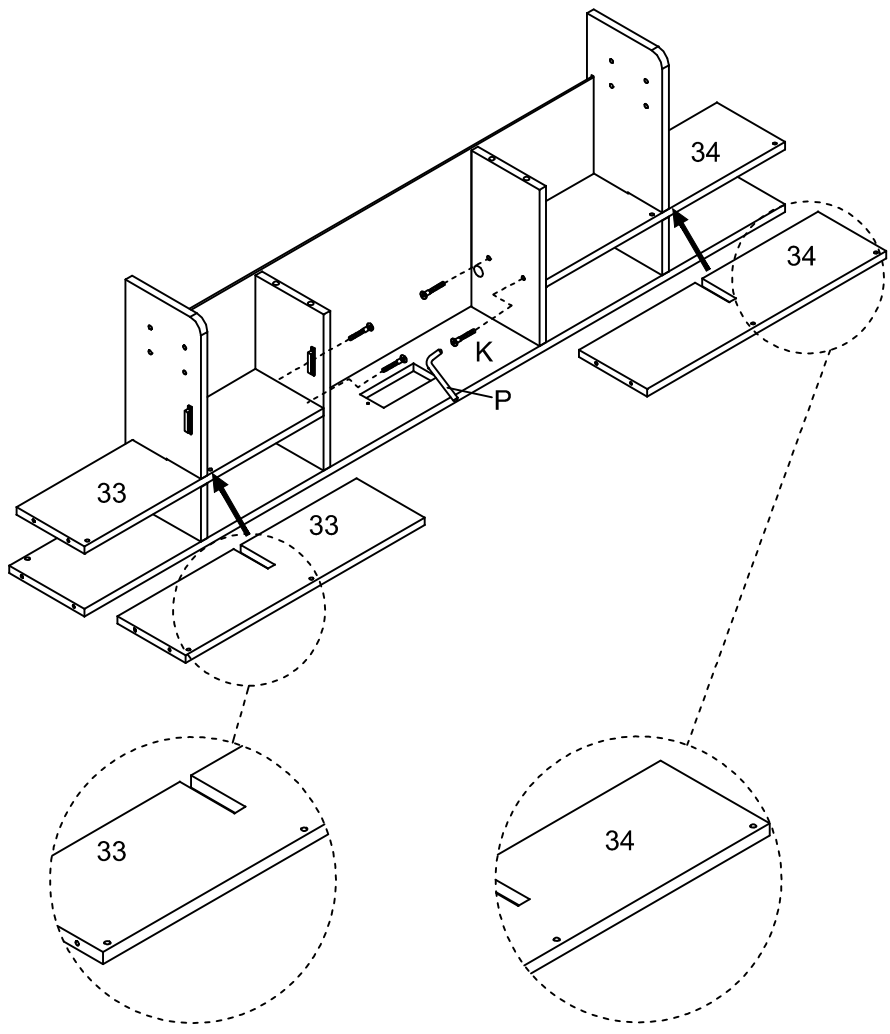
# STEP 3



M5\*35mm

K\*4pcs

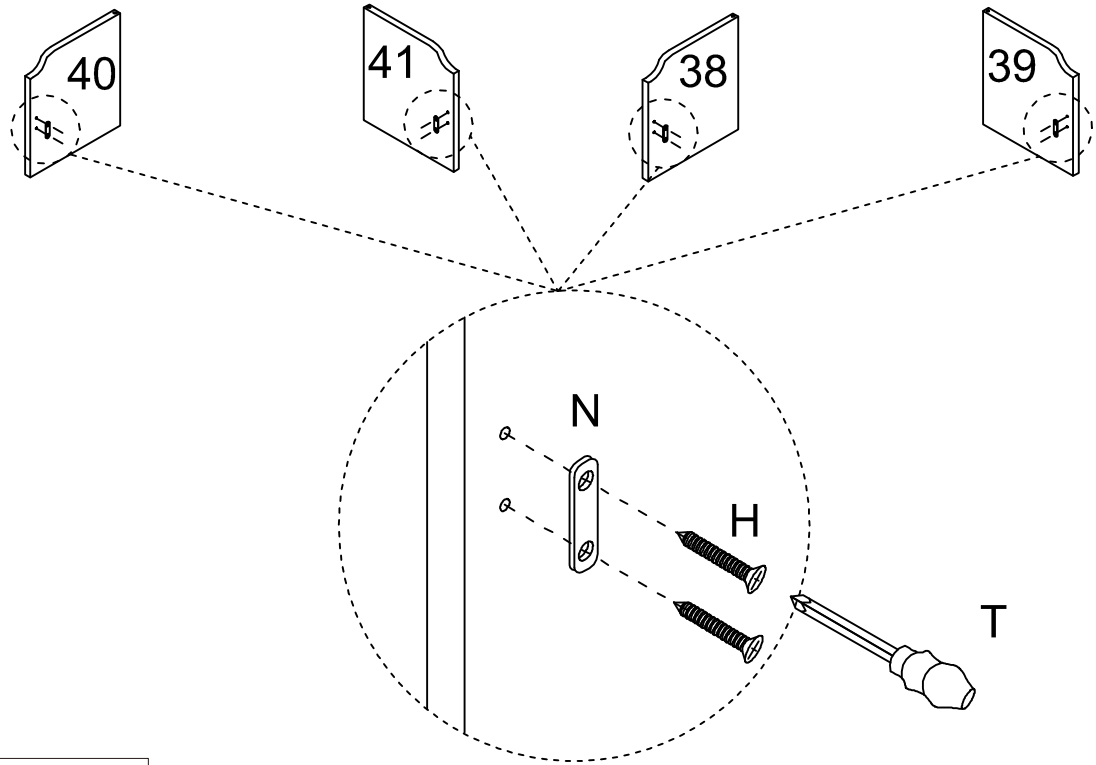
# STEP 4


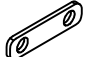


M5\*35mm

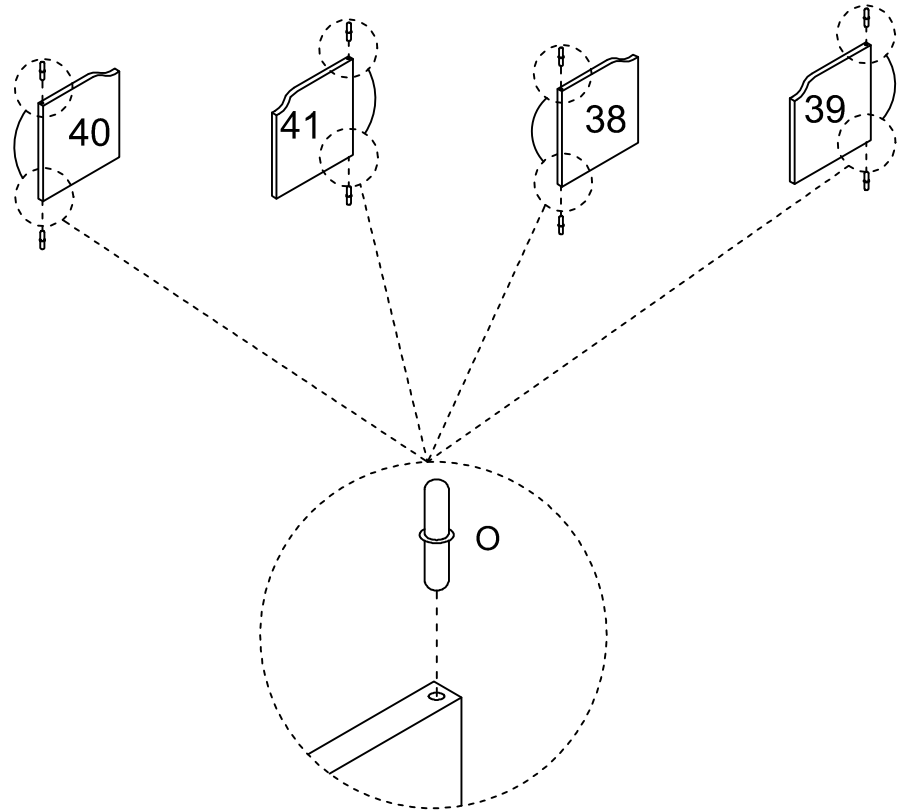
K\*4pcs


# STEP 5



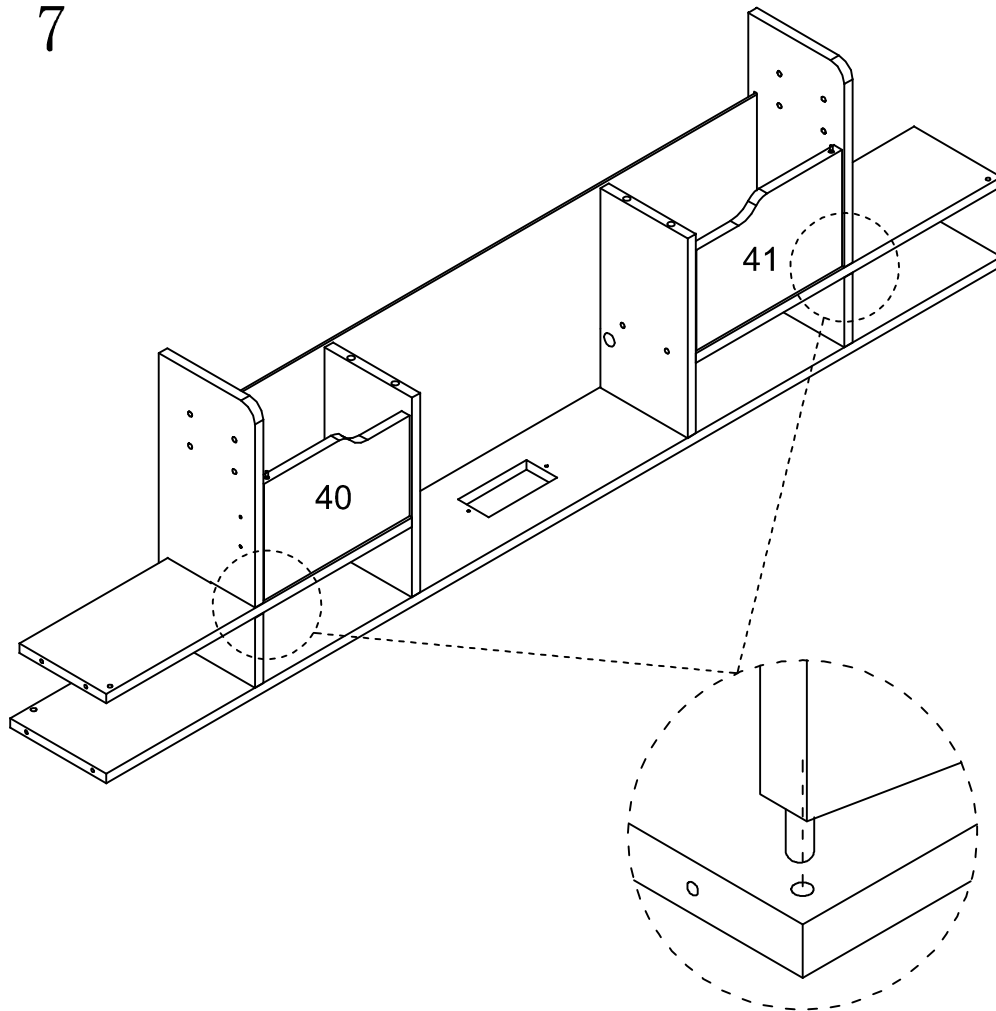
|  |   |
|--|---|
| <br>M3*12mm<br>H*8pcs | <br>N*4pcs |
|--|---|

# STEP 6

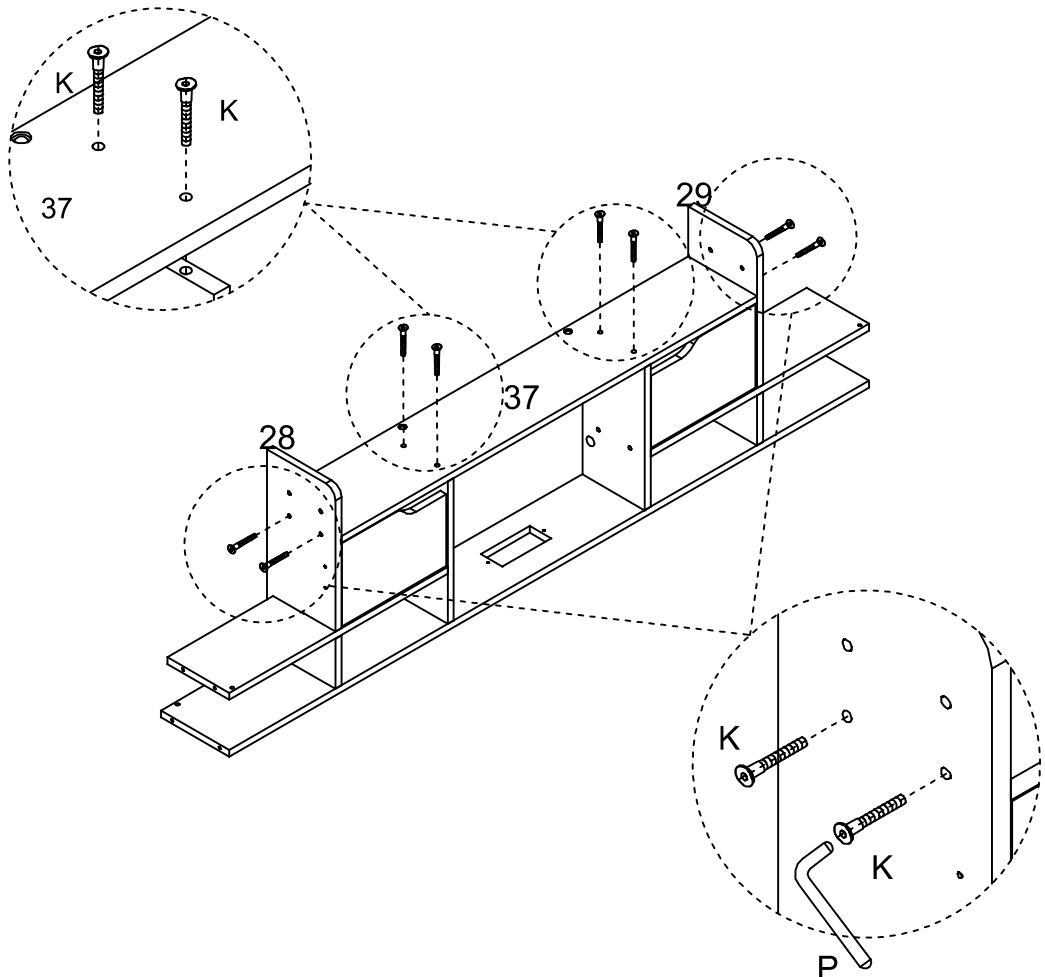


|  |
|--|
| <br>O*8pcs |
|--|

# STEP 7

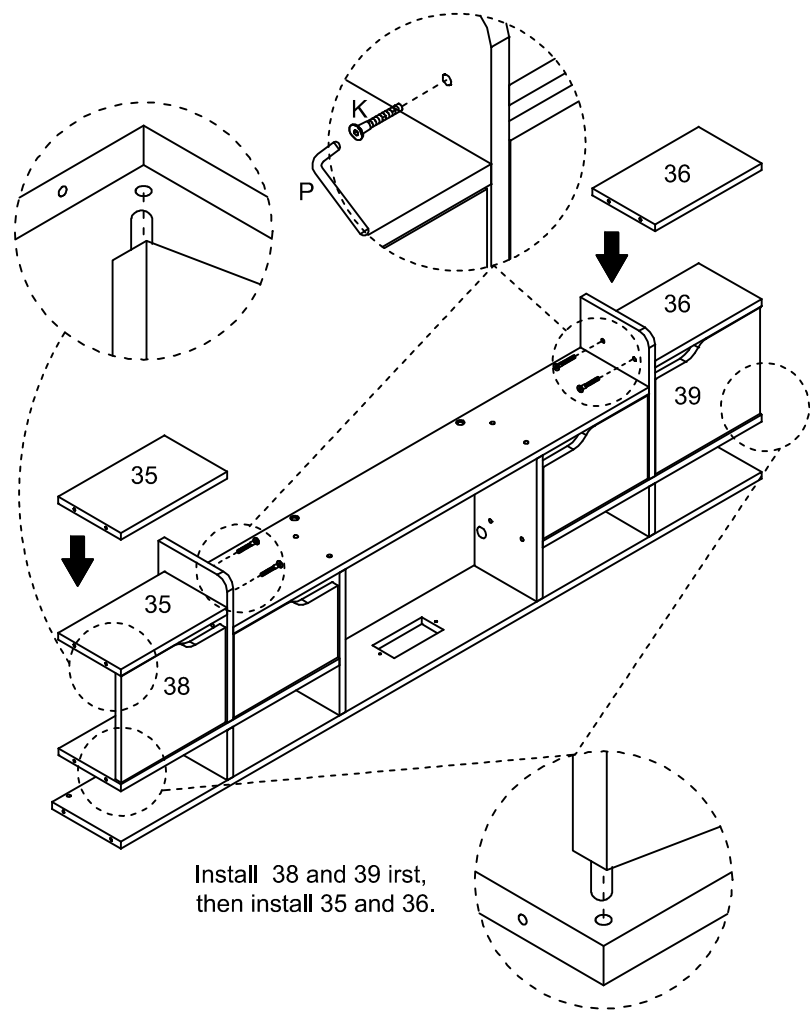


# STEP 8



  
M5\*35mm  
K\*8pcs

# STEP 9



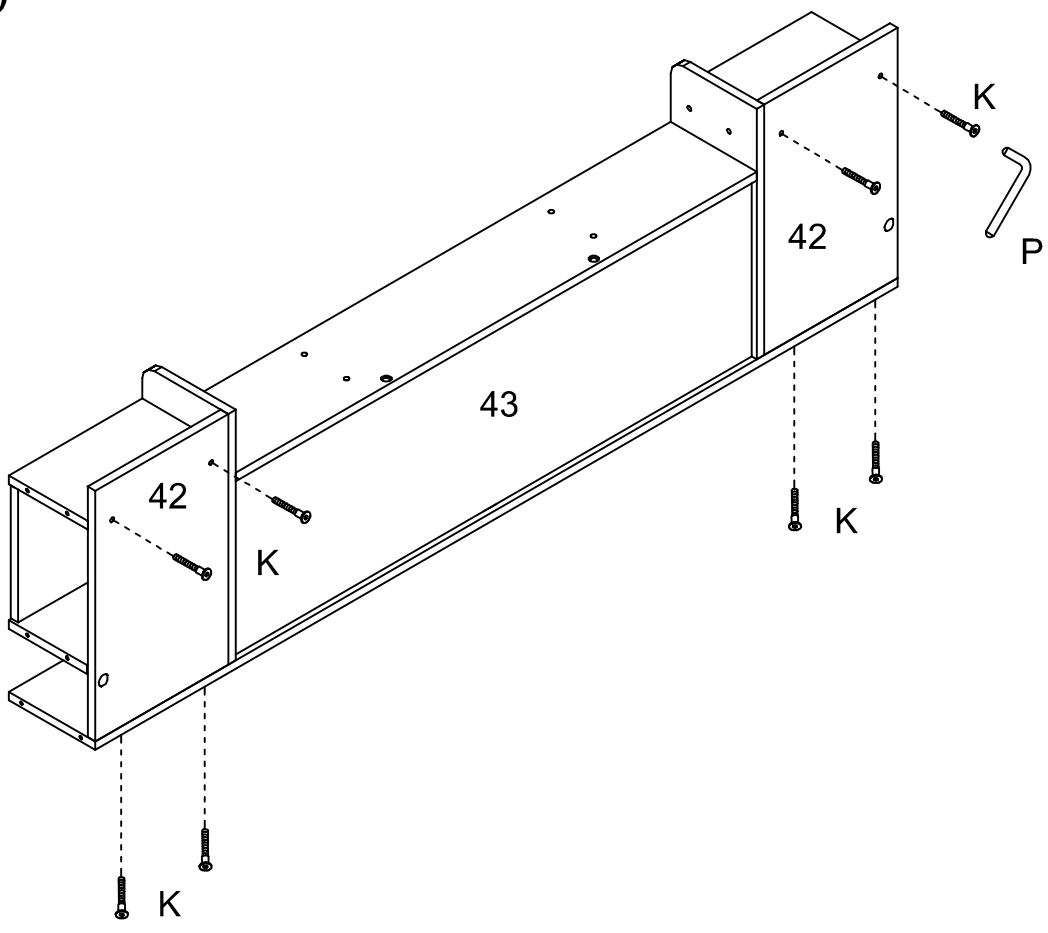
Install 38 and 39 first,  
then install 35 and 36.



M5\*35mm

K\*4pcs

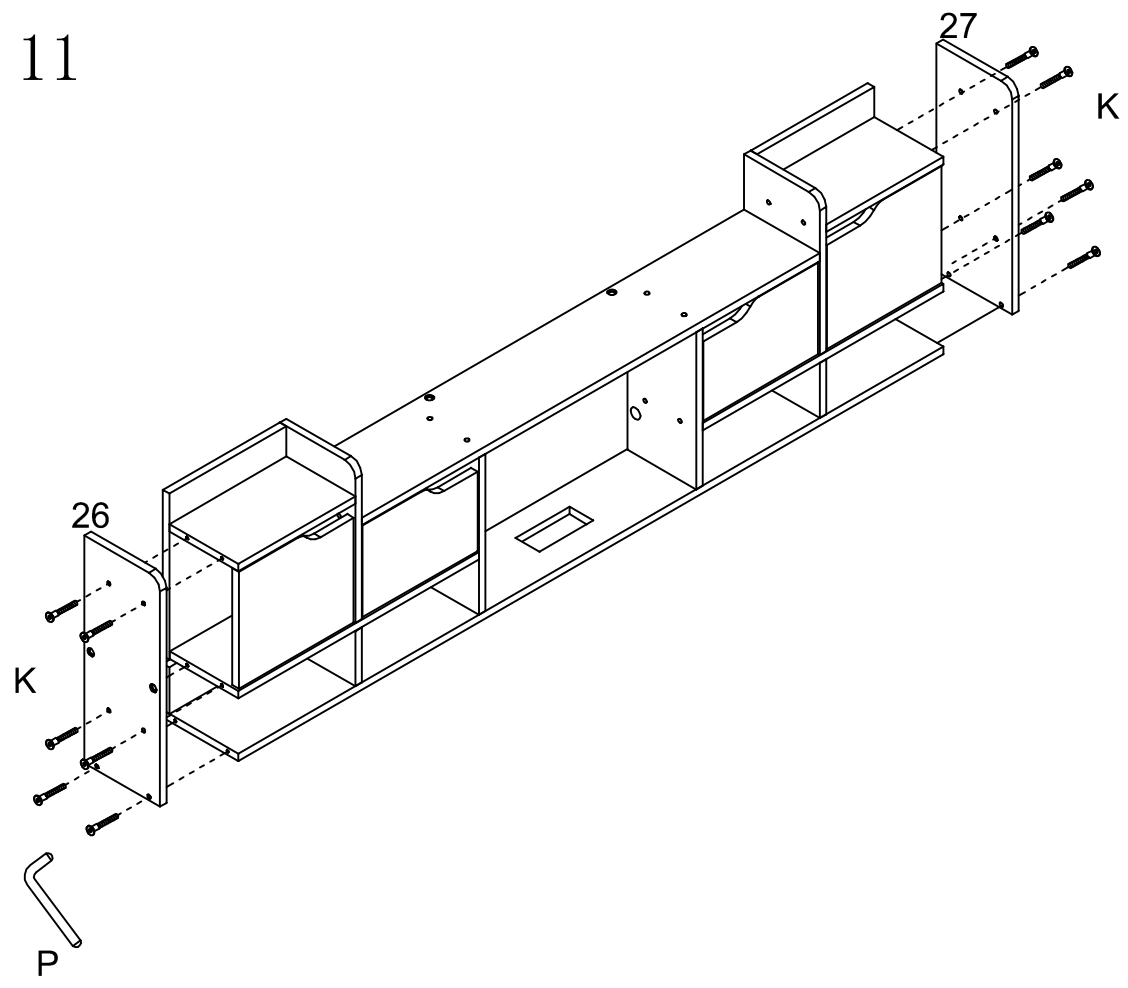
# STEP 10



M5\*35mm

K\*8pcs

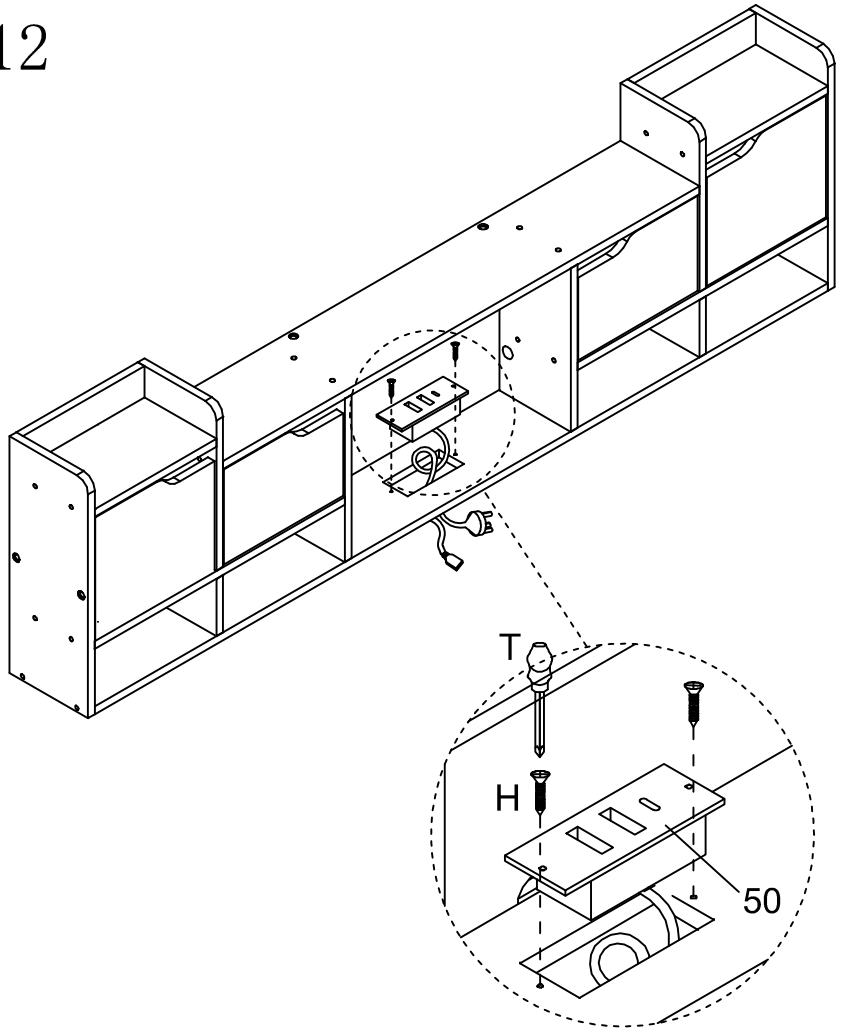
# STEP 11



M5\*35mm

K\*12pcs

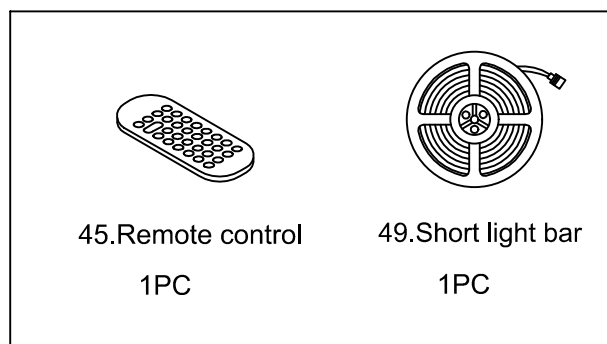
# STEP 12



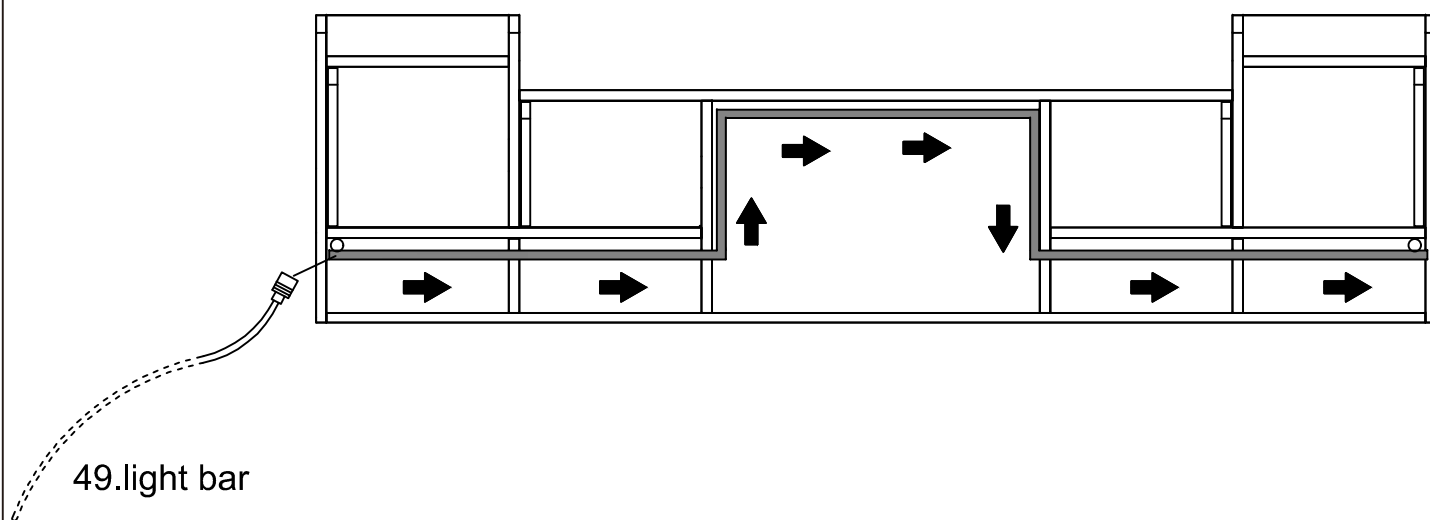
M3\*12mm

H\*2pcs

# STEP 13



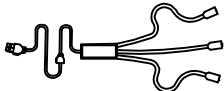
Please pass the light strip through the holes in sequence as shown in the diagram and exit from the holes in the rear panel.



## TIPS:

1. One side of the light bar features a light belt, while the other side is adhesive. Please note the distinction. The strip length can be trimmed to suit the actual required length, with any excess light strip being discarded.
2. This is just a demonstration of the light bar; you can place it anywhere you like.

# STEP 14

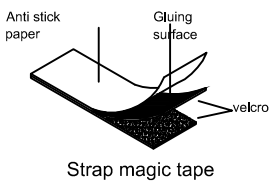


46. Power cord  
1PC

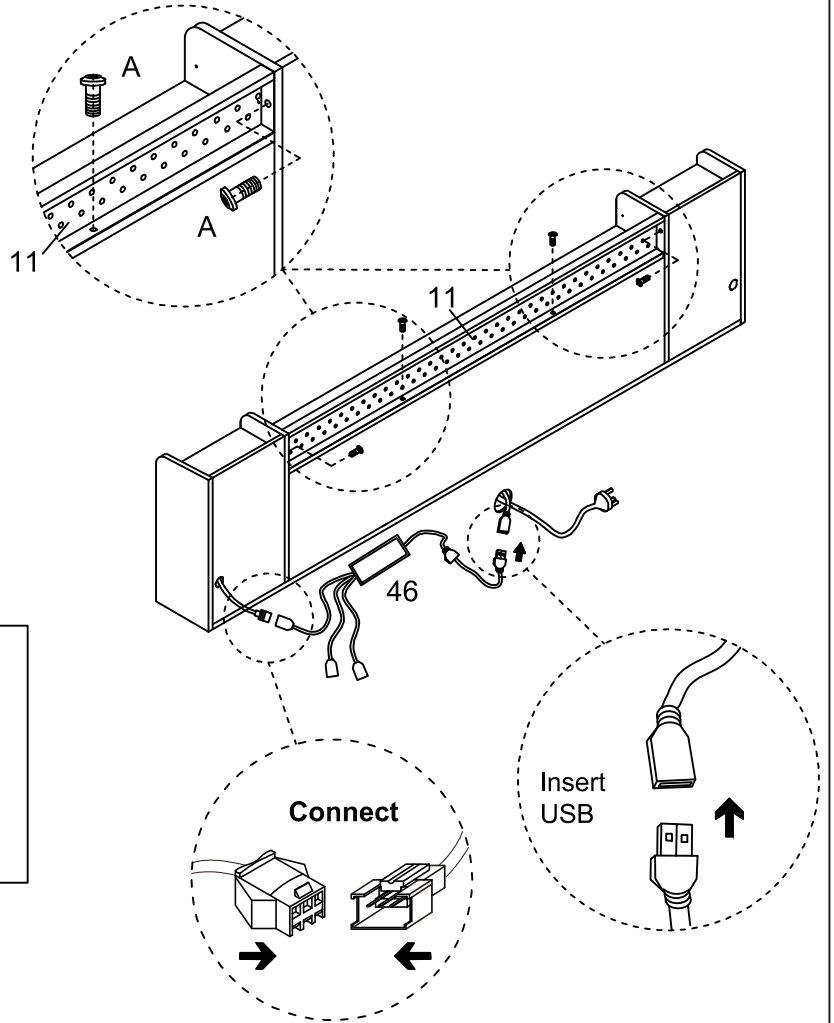
Use 47 to sort it out



47. Strap magic tape  
12PCS



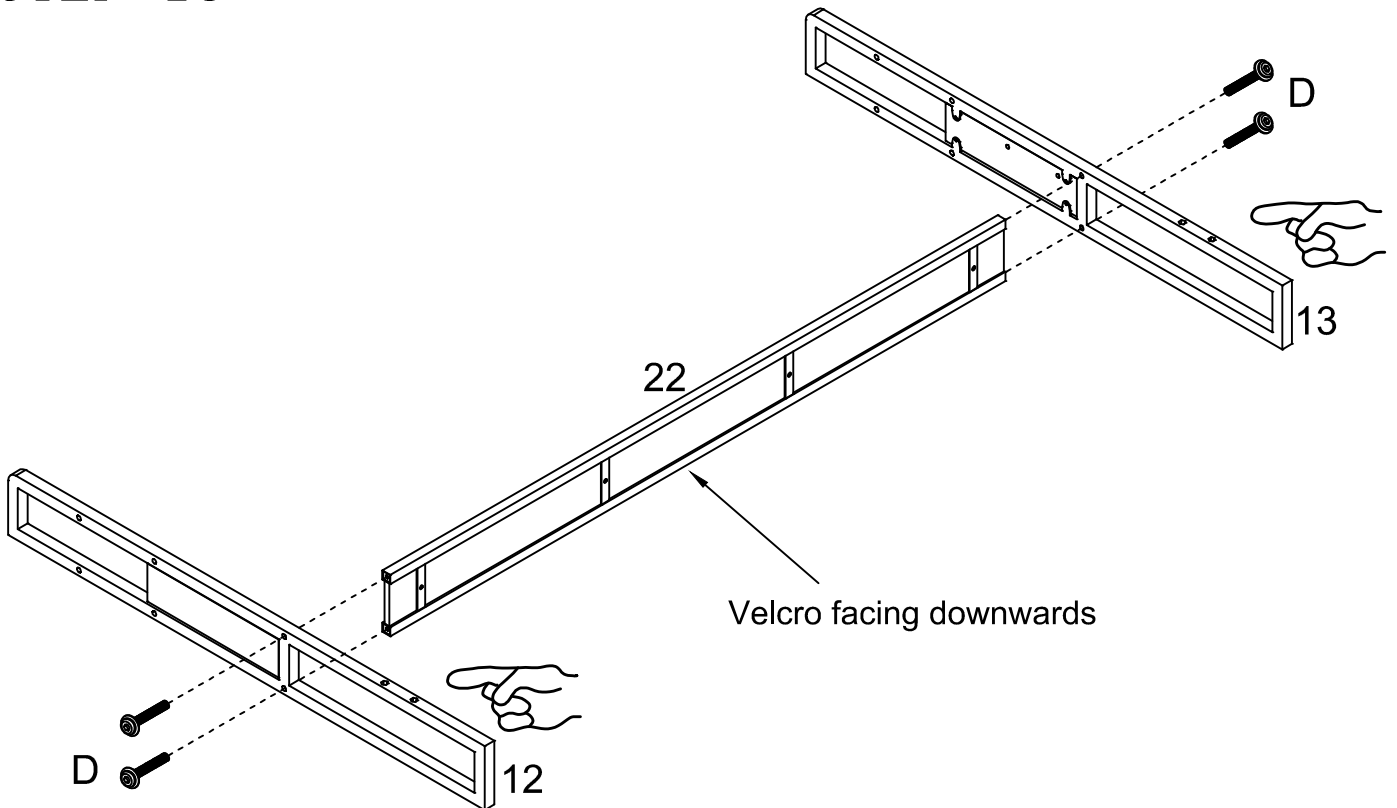
When the wires are disordered, tear off the anti stick paper, paste it on the place where the wires pass, and then bind the wires.



M6\*10mm

A\*4pcs

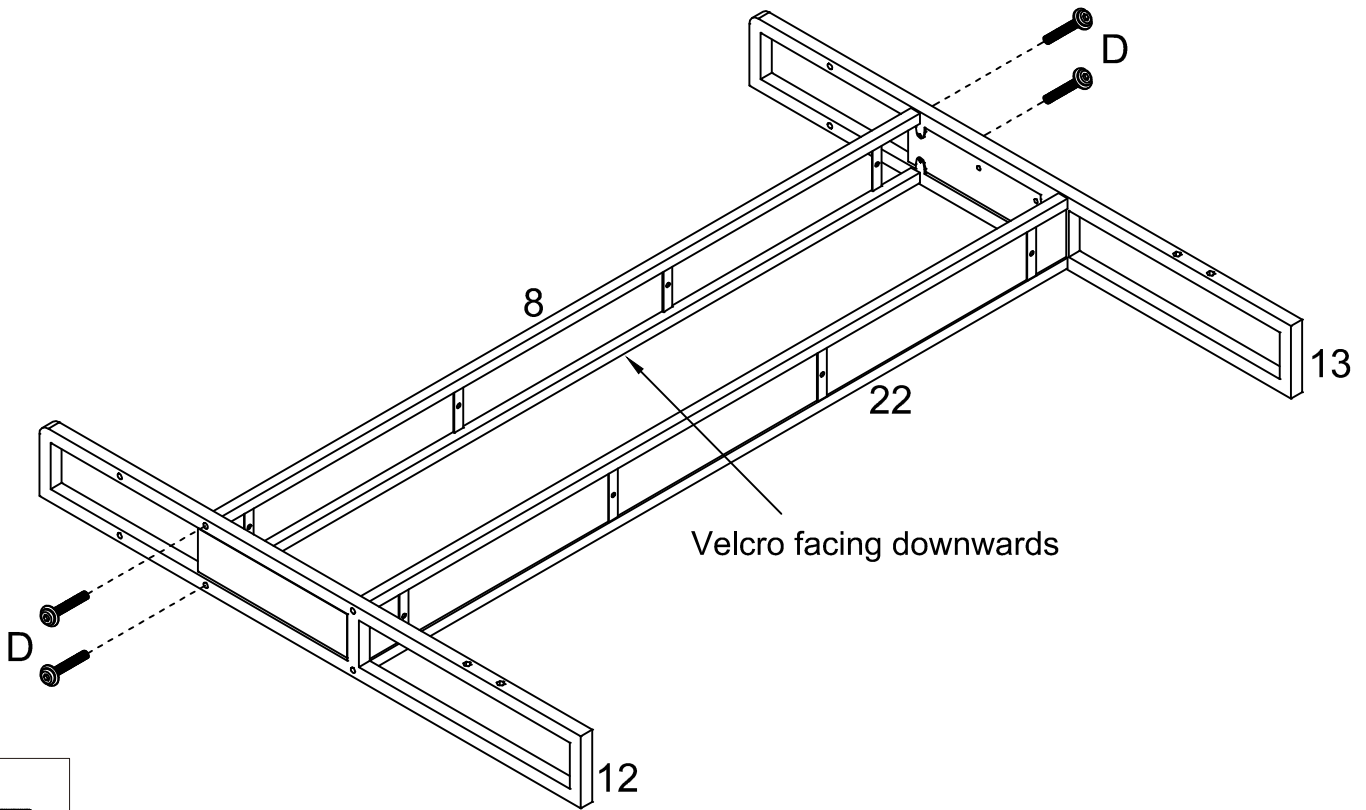
# STEP 15



M6\*45mm

D\*4pcs

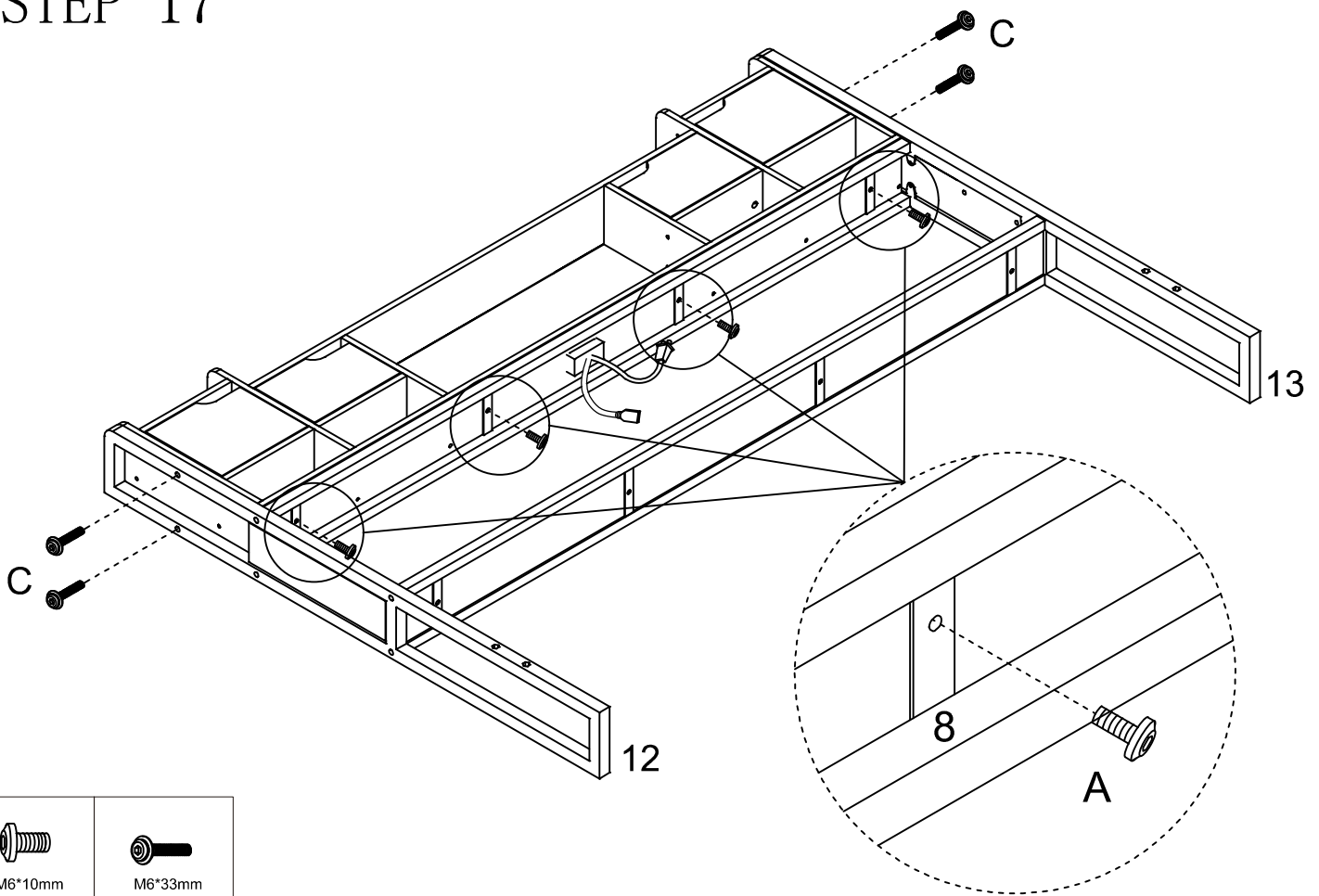
# STEP 16



M6\*45mm

D\*4pcs

# STEP 17



M6\*10mm

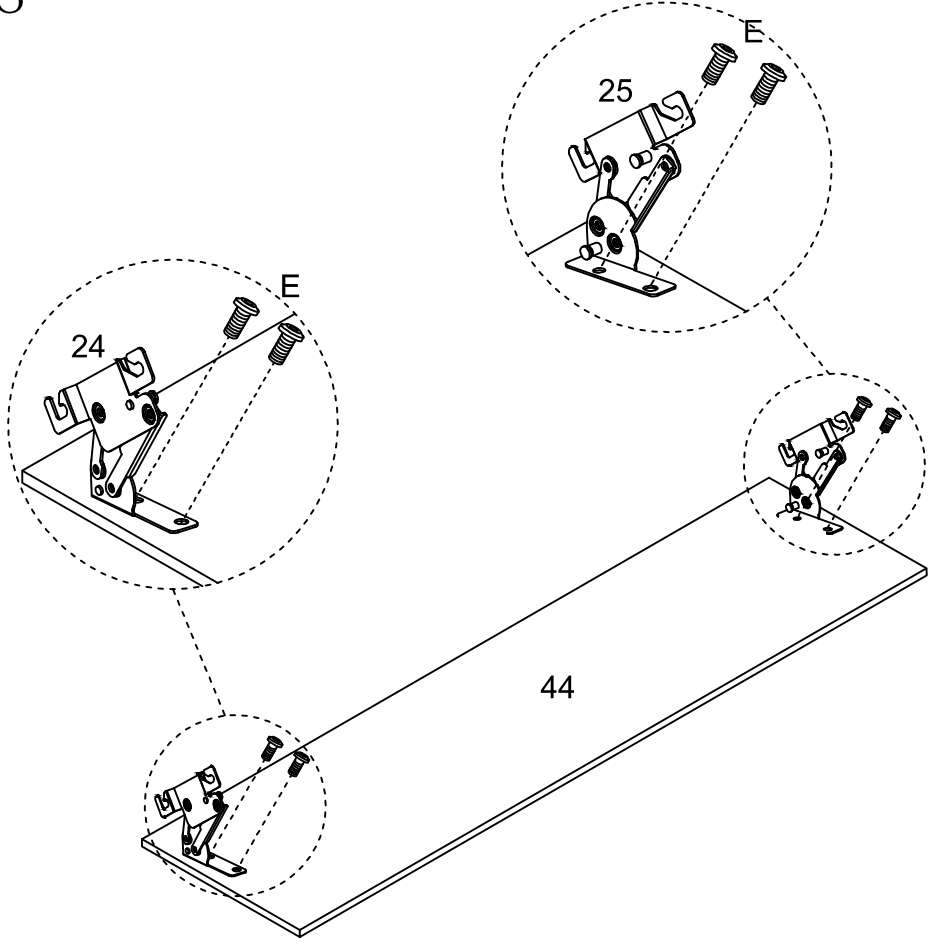
A\*4pcs




M6\*33mm

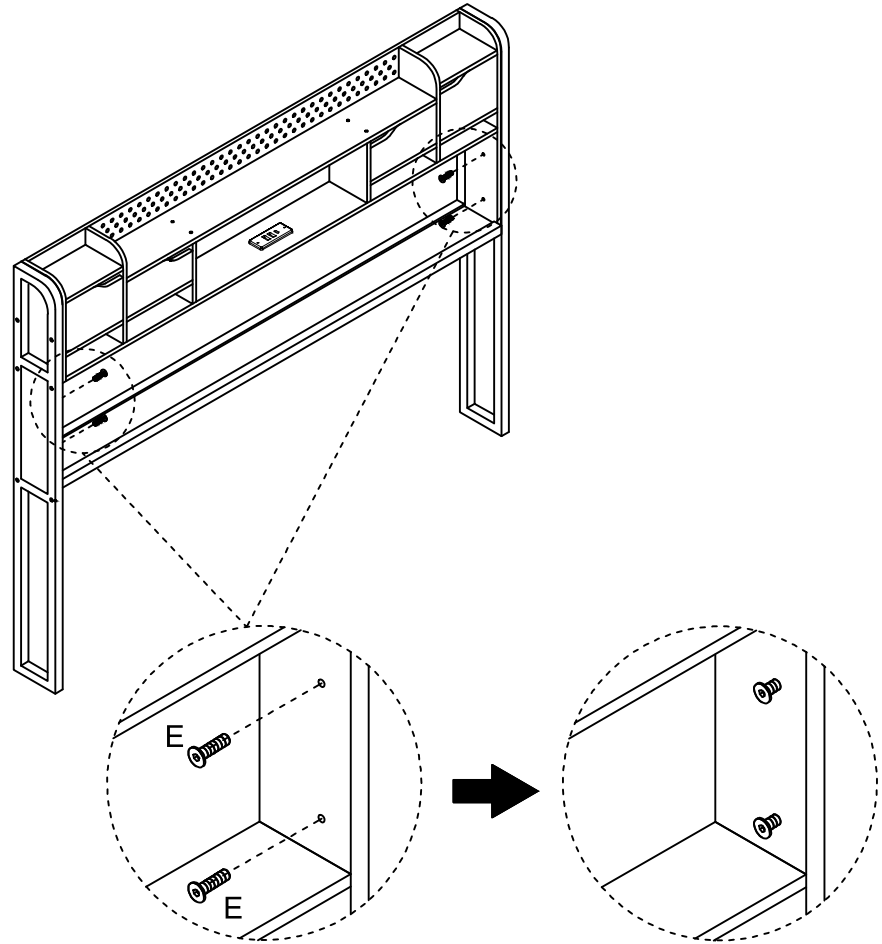
C\*4pcs


# STEP 18



  
M8\*15mm  
E\*4pcs

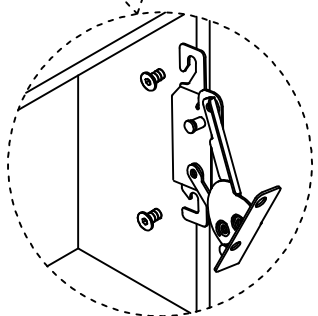
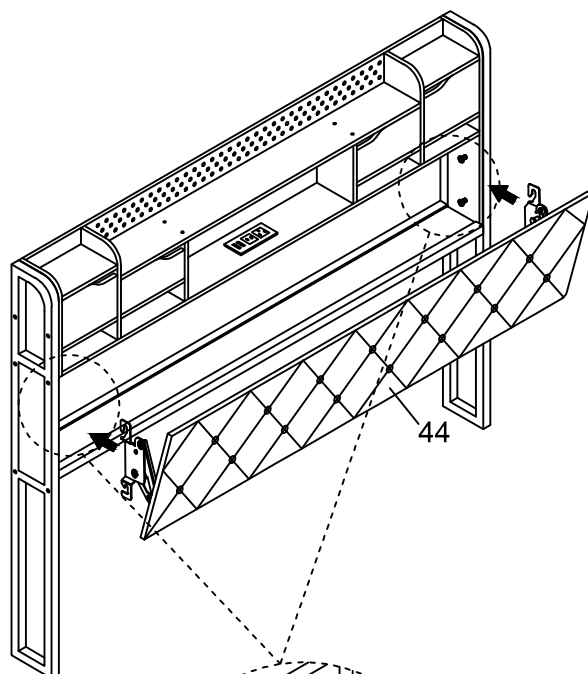
# STEP 19



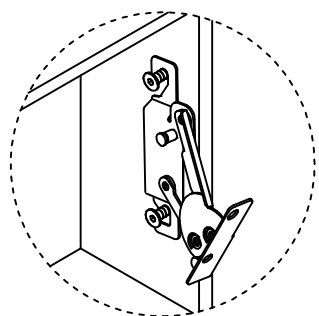
  
M8\*15mm  
E\*4pcs

Tighten the screws, but do not over-tighten them.

# STEP 20

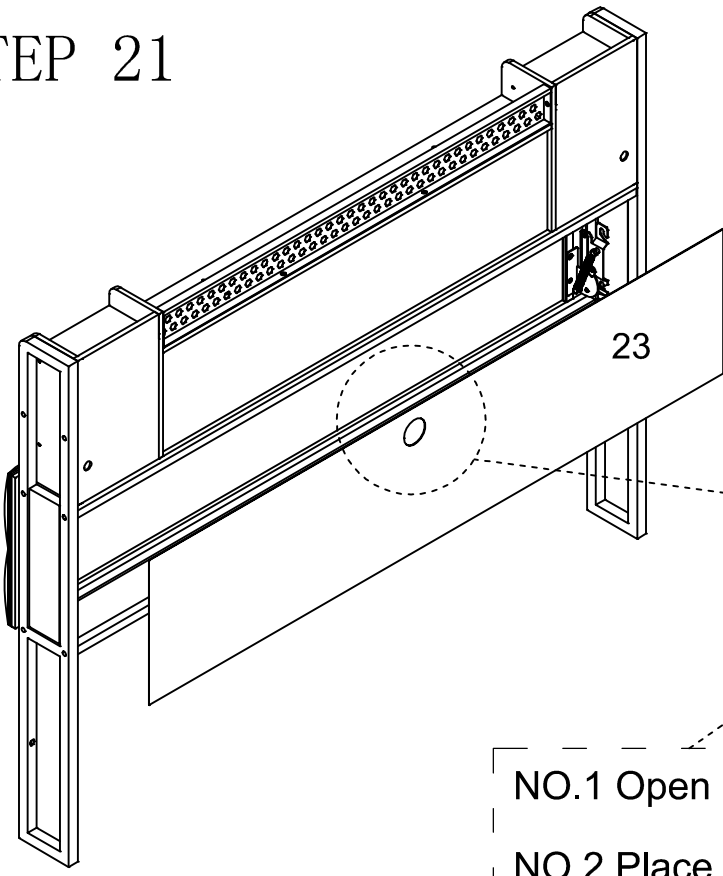


Hang it up first

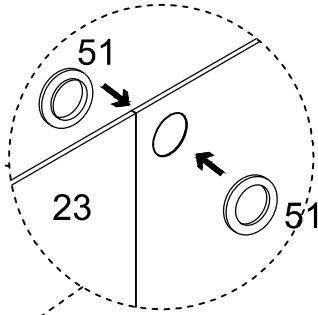


Then tighten it

# STEP 21

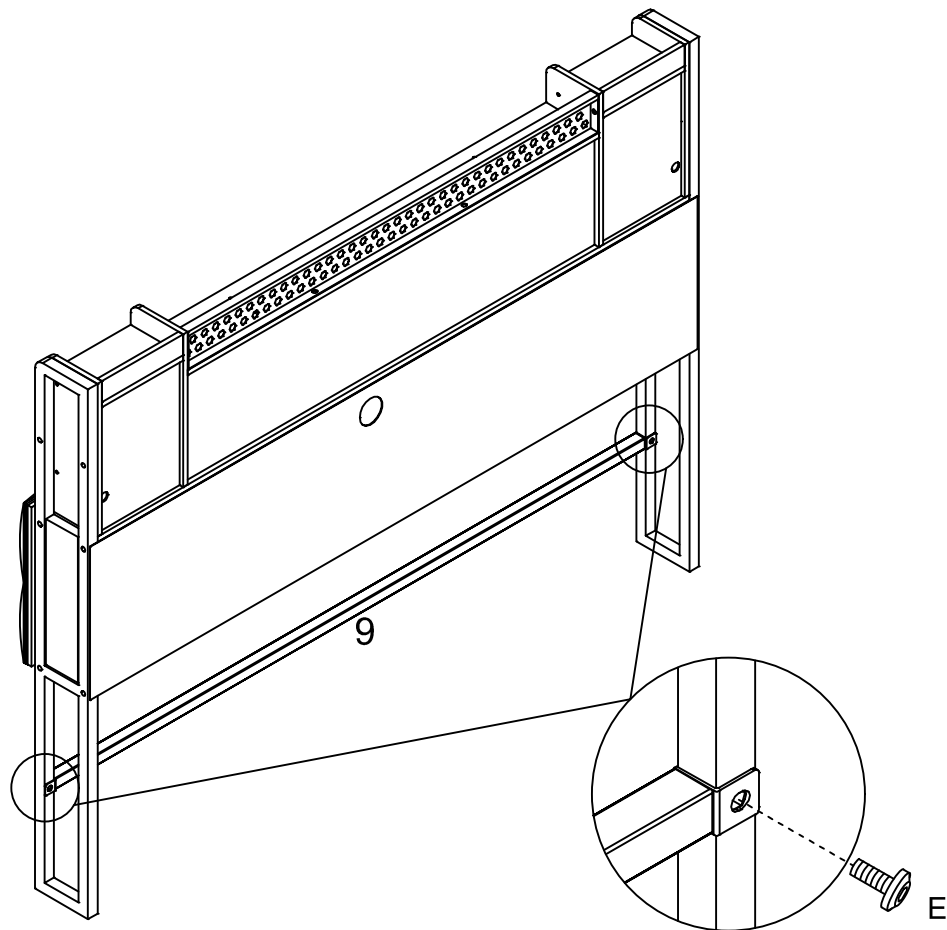


23



- NO.1 Open accessory( 51 )
- NO.2 Place them separately on the front and back of the ( 23 ) hole and press them tightly

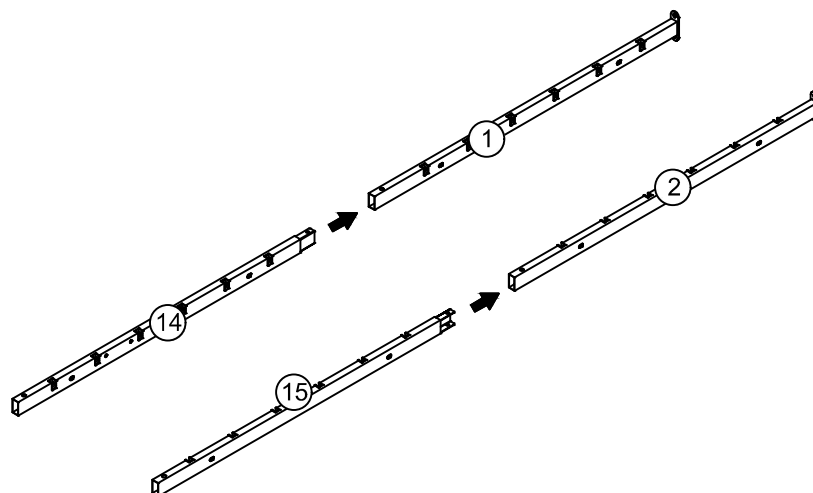
# STEP 22



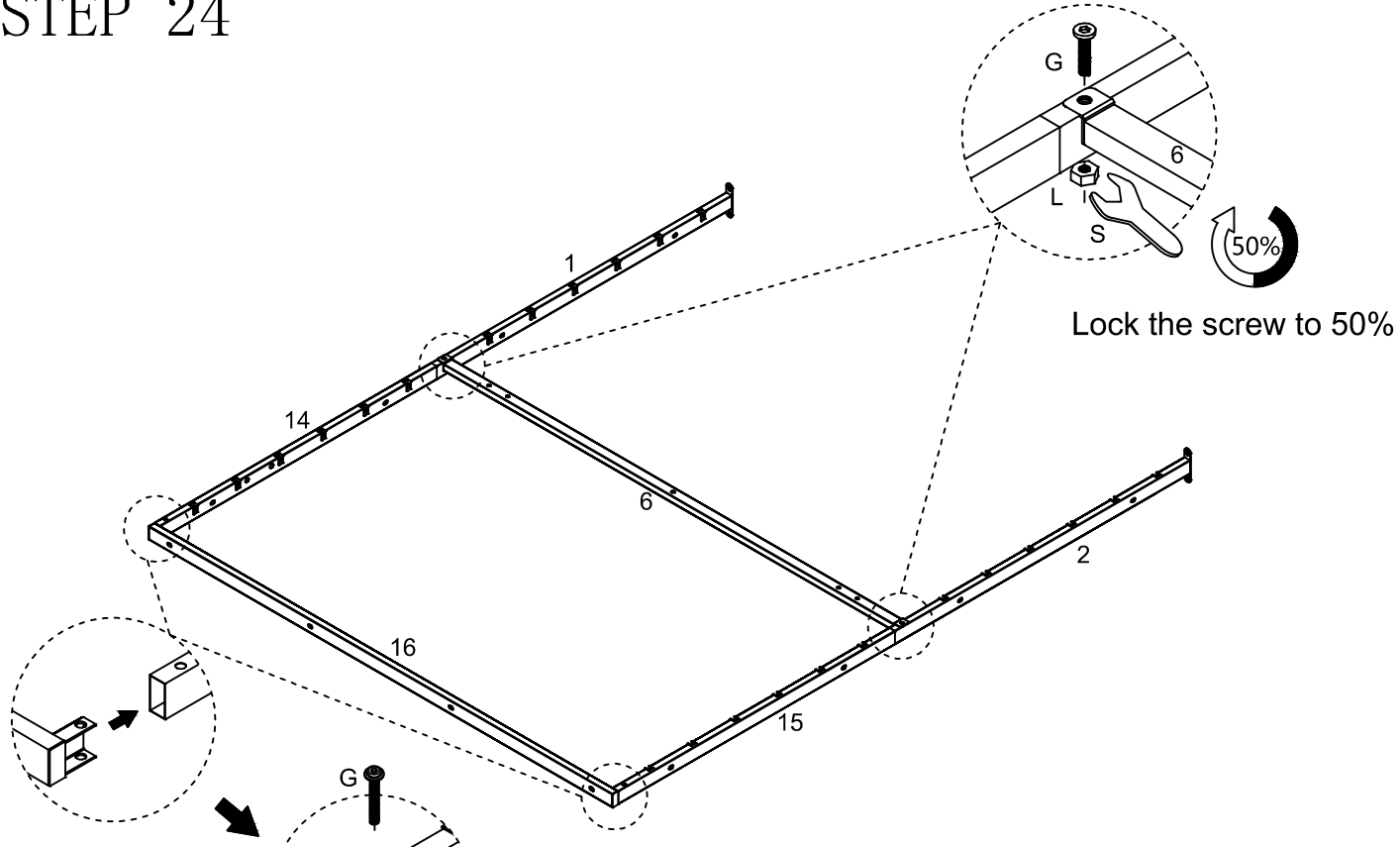
M8\*15mm



E\*2pcs

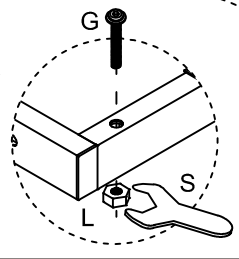
# STEP 23



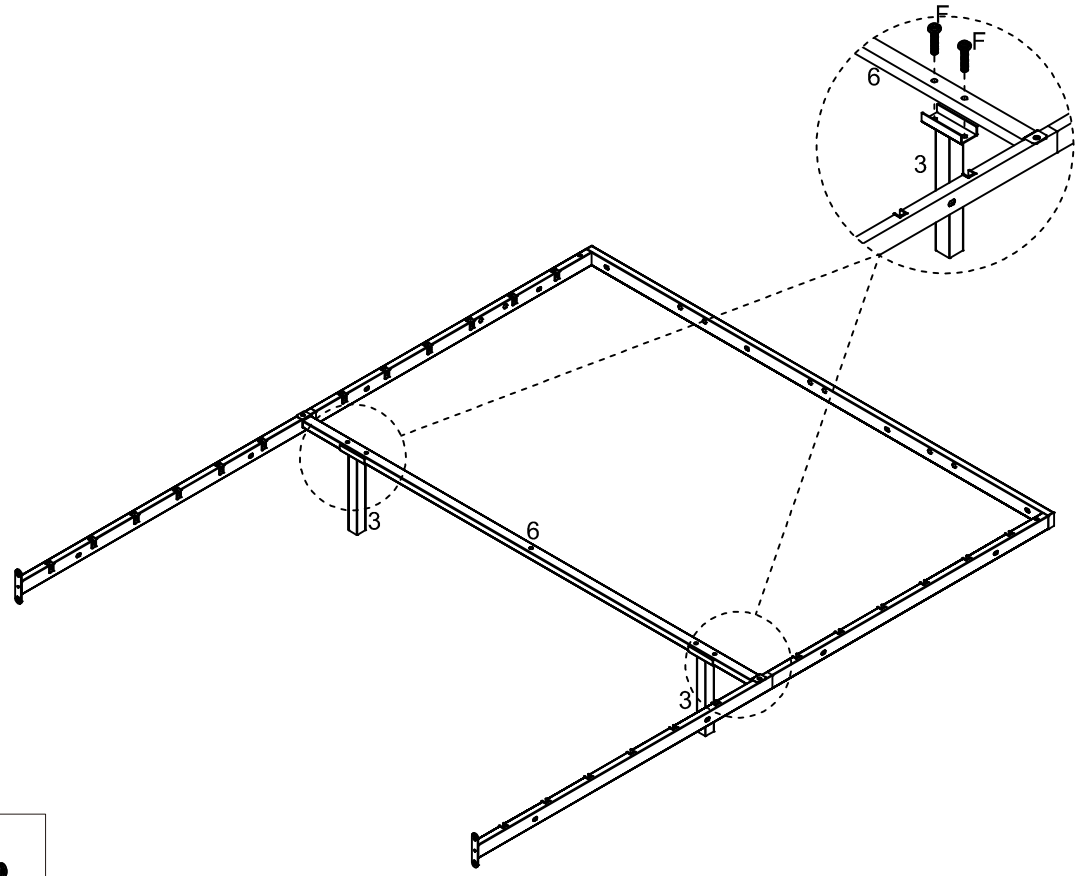
# STEP 24



|  |  |
|--|--|
| <br>M8*55mm<br>G*4pcs | <br>M8<br>L*4pcs |
|--|--|

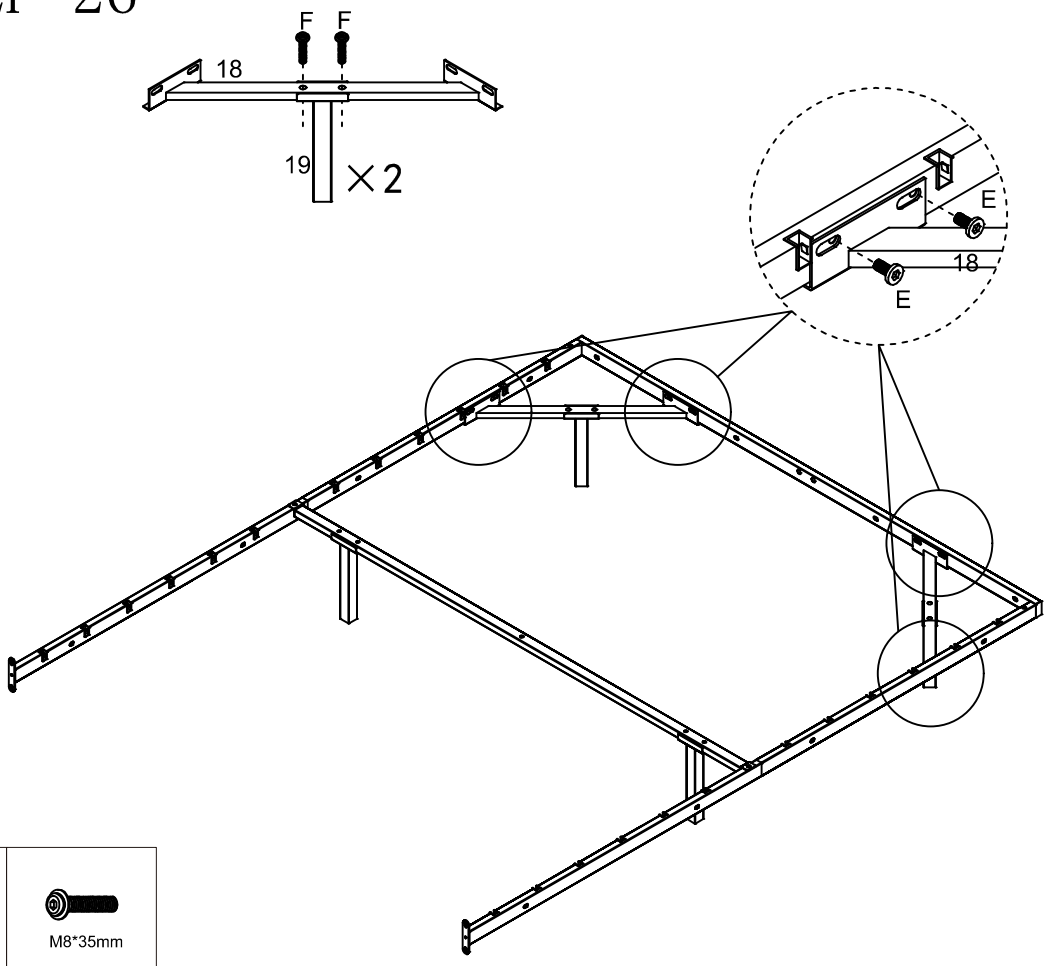




# STEP 25



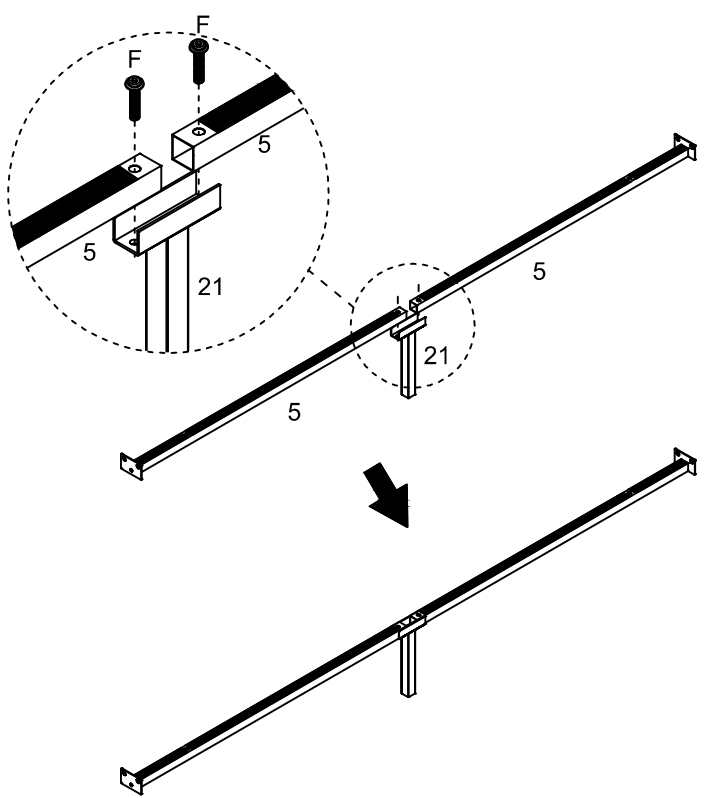
|   |
|---|
| <br>M8*35mm<br>F*4pcs |
|---|

# STEP 26



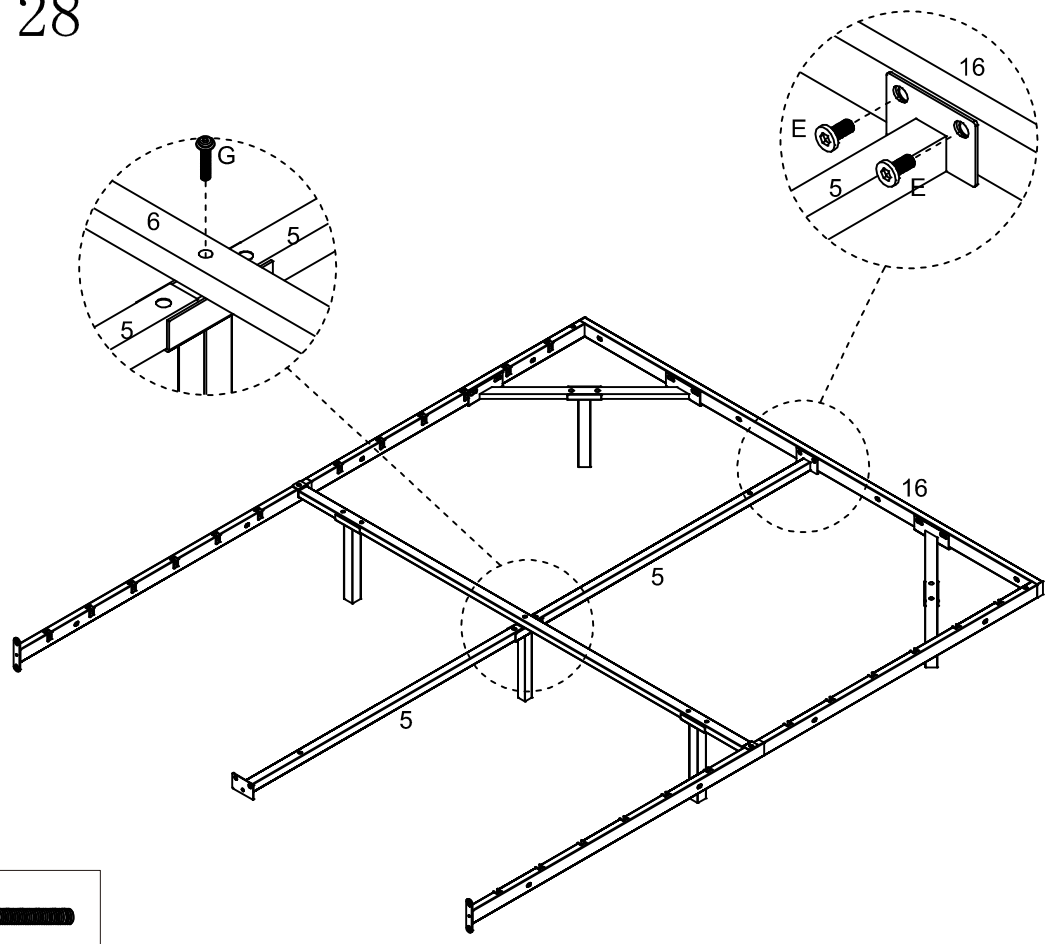
|  |  |
|--|--|
| <br>M8*15mm | <br>M8*35mm |
| E*8pcs   | F*4pcs   |



# STEP 27



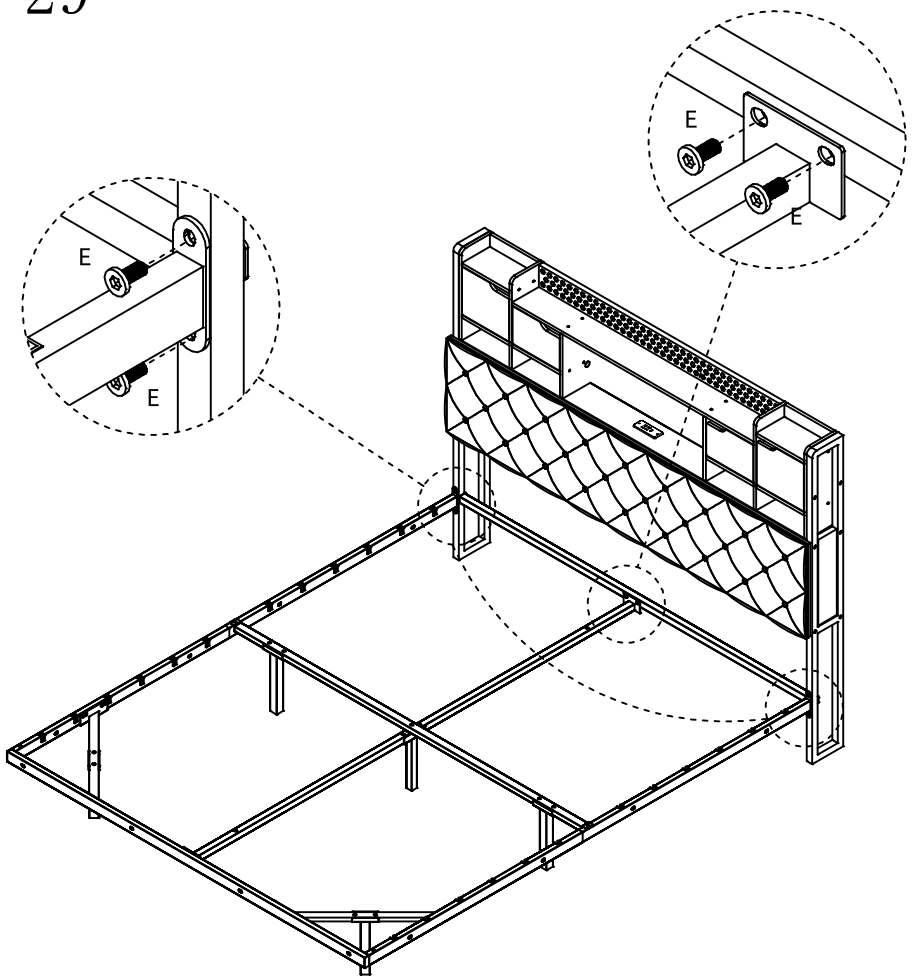
|   |
|---|
| <br>M8*35mm |
| F*2pcs  |


# STEP 28



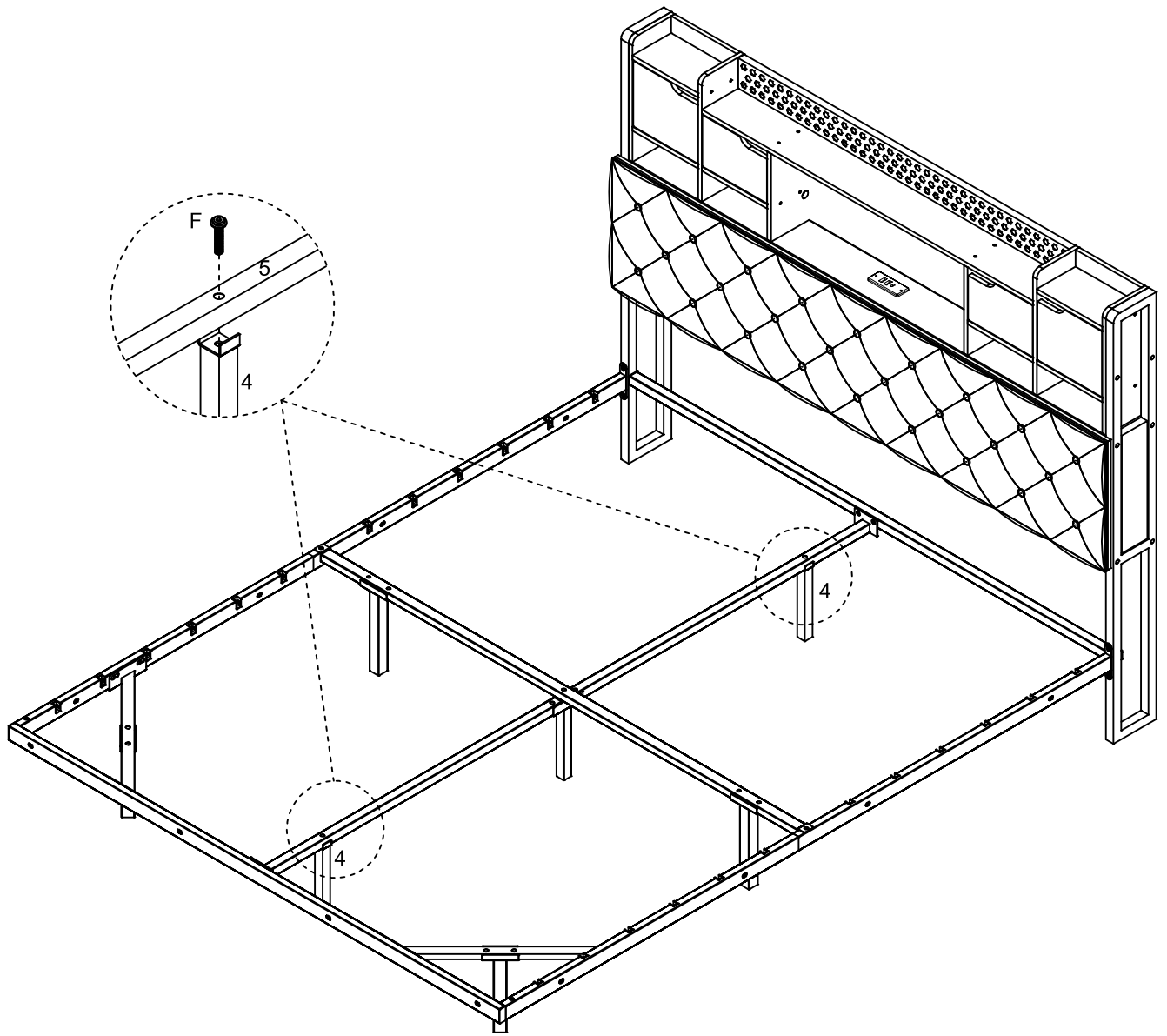
|  |   |
|--|---|
| <br>M8*15mm | <br>M8*55mm |
| E*2pcs   | G*1pcs  |

# STEP 29



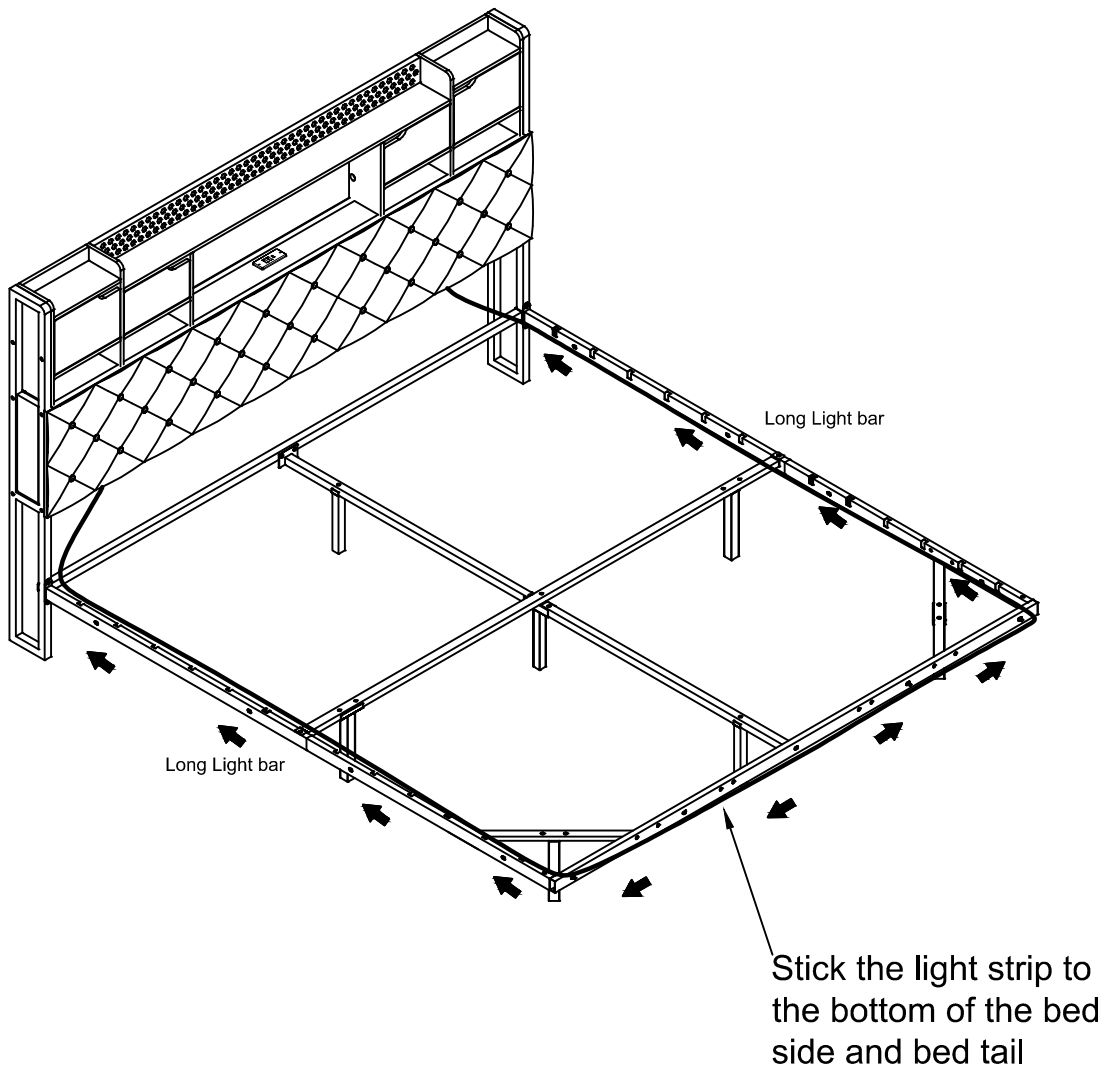
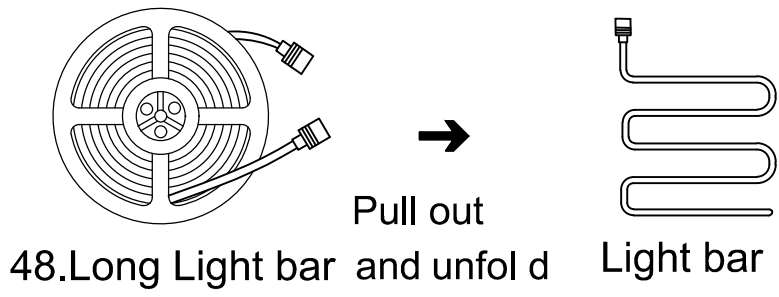
|  |
|--|
| <br>M8*15mm |
| E*6pcs   |

# STEP 30

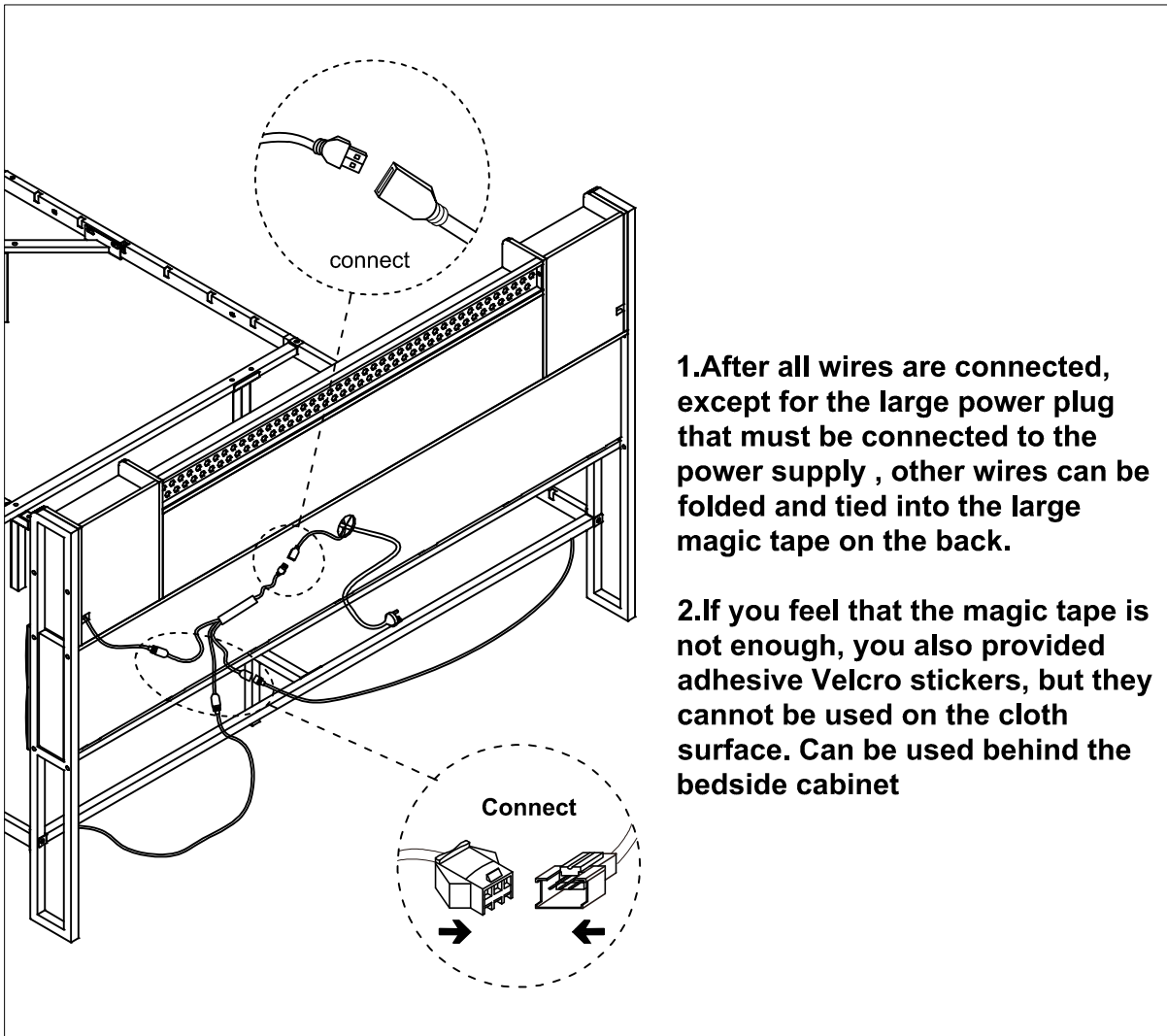
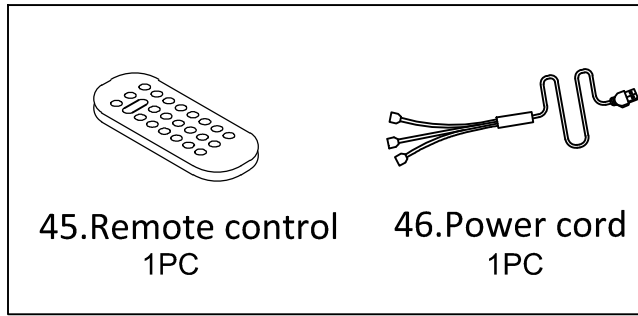


M8\*35mm  
F\*2pcs

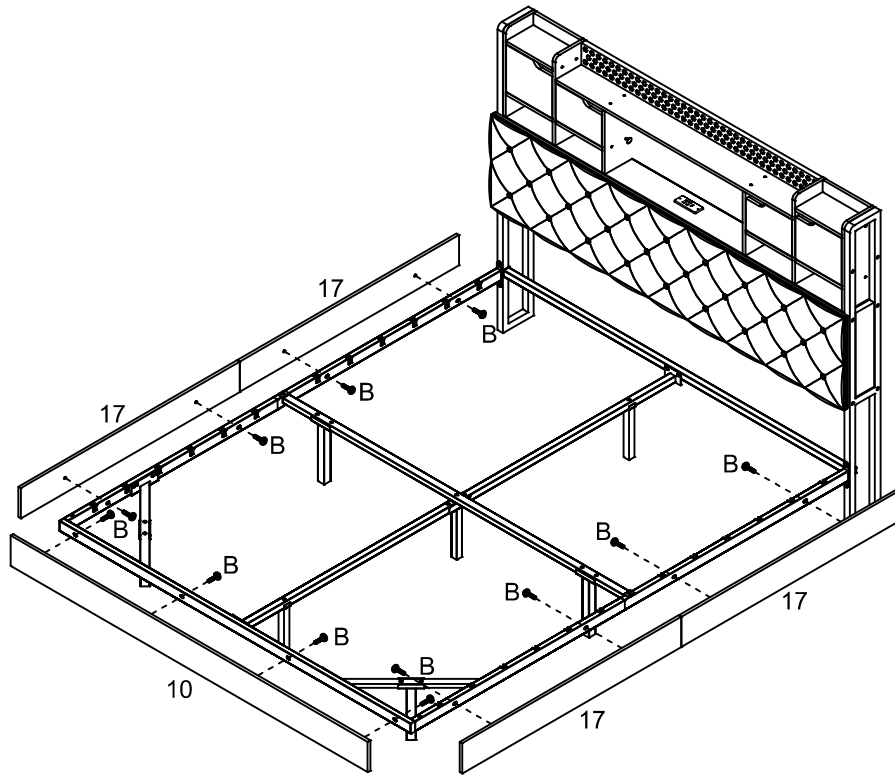
# STEP 31



# STEP 32



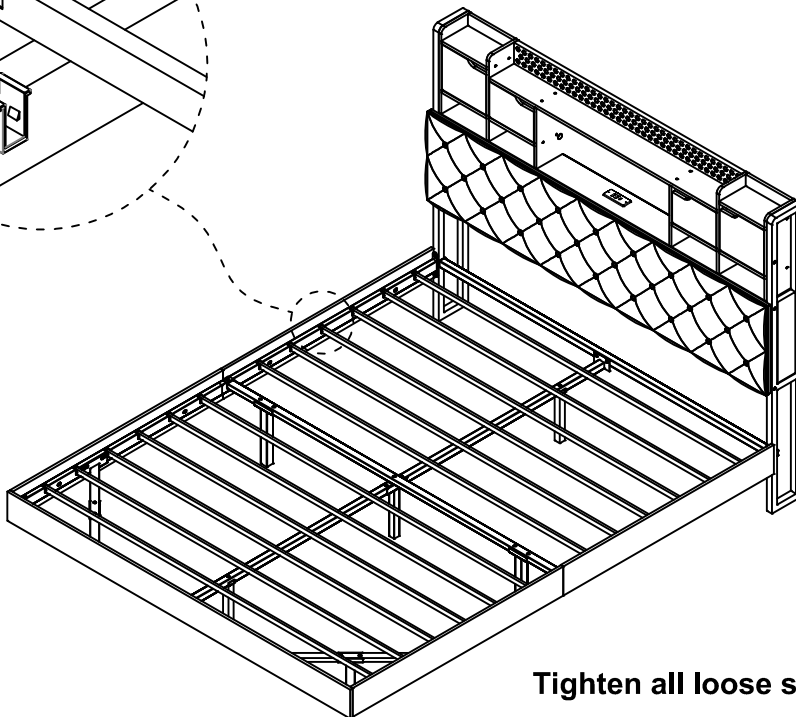
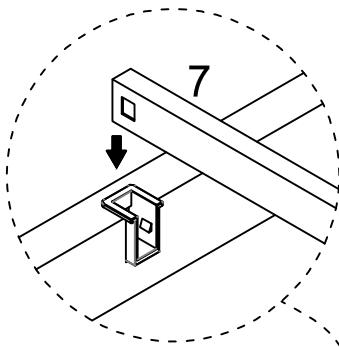
# STEP 33



M6\*28mm

B\*12pcs

# STEP 34



**Tighten all loose screws**