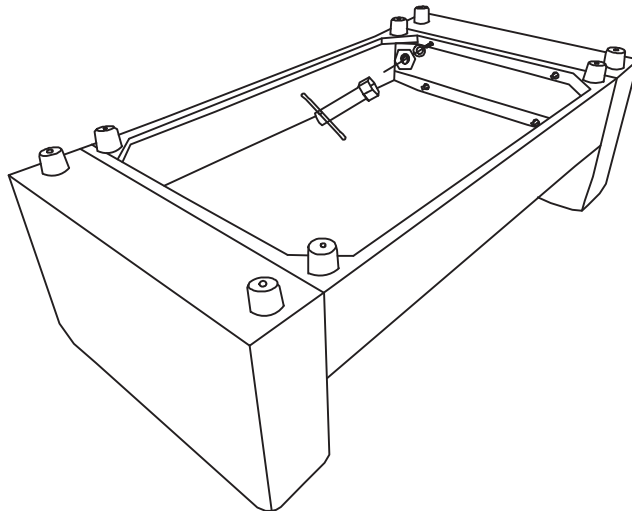
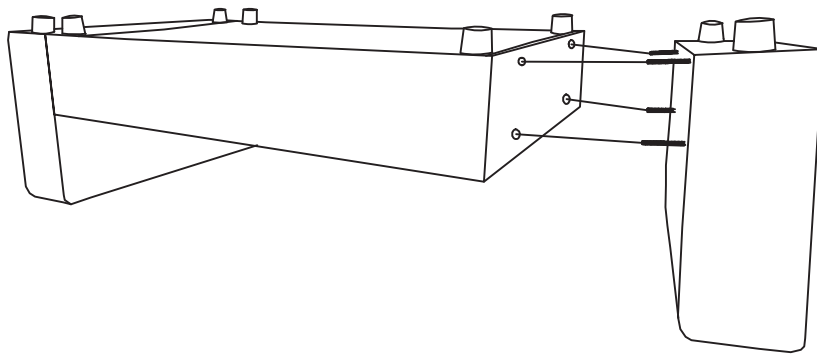
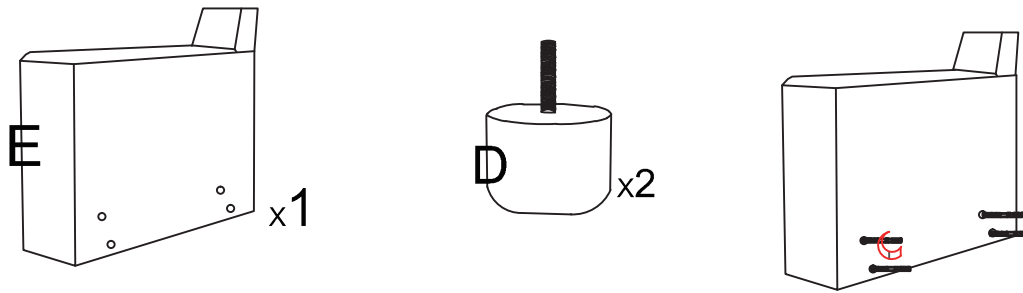


# ASSEMBLY INSTRUCTION

ITEM NO.: 81803-ARM



1

x4



2

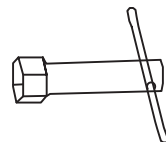
x4



3

x4

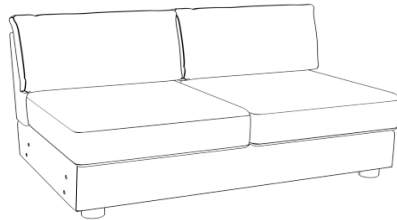
4



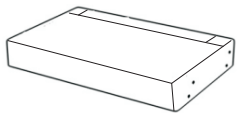
x1

# ASSEMBLY INSTRUCTION

ITEM NO.: 81803-LS



## PARTS LIST



**A**

x1

**B**

x1

**D**

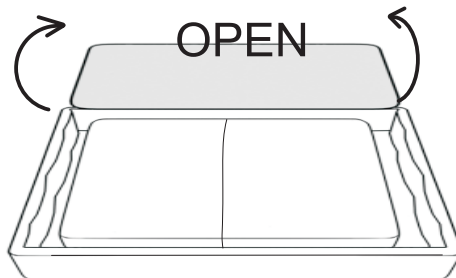
Leg

x4

**5**

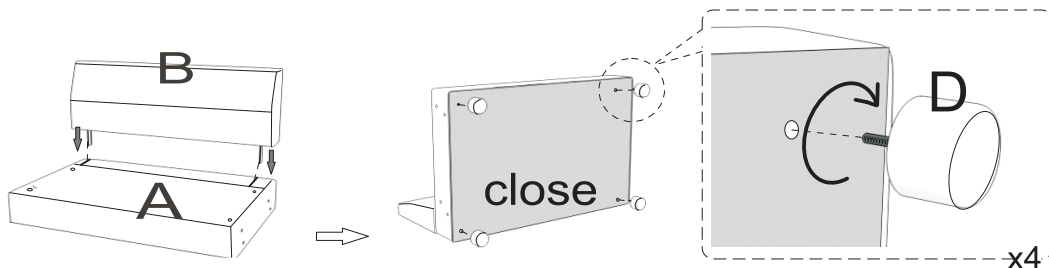
x2

Open up Velcro of Non-Woven Fabric cover on the bottom of the seat frame to remove **seat cushions, Back cushions and legs**



## 2-SEAT ASSEMBLY INSTRUCTION

Step1



81803-LS

