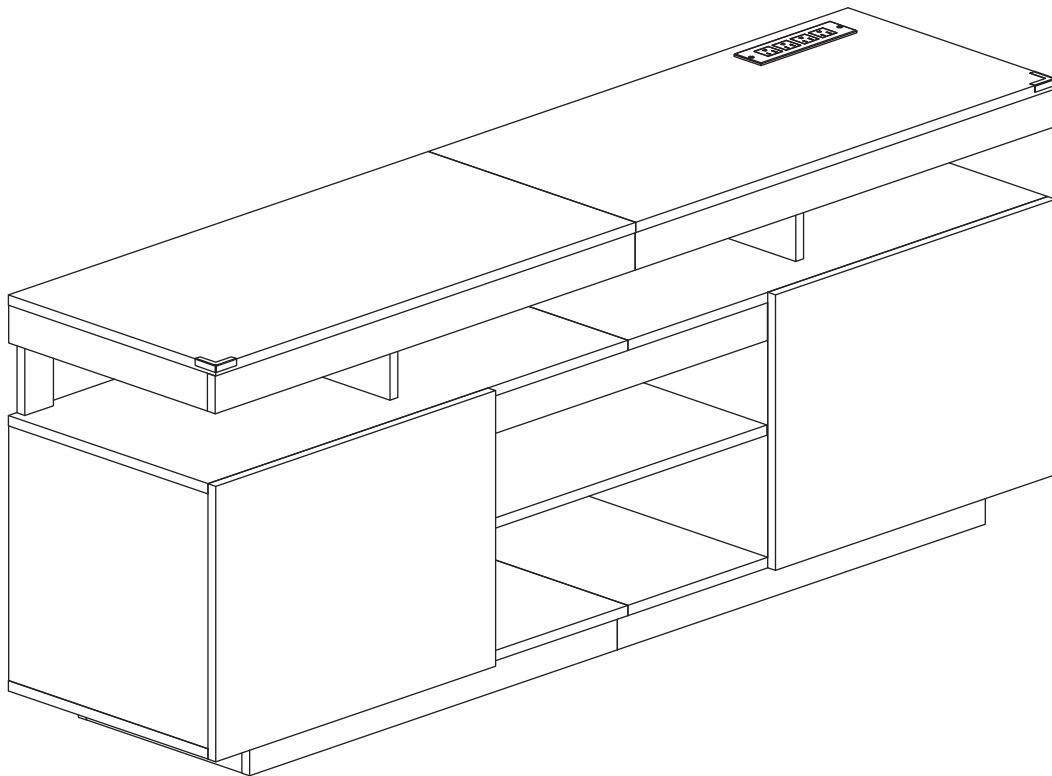


TV STAND

USER MANUAL

1

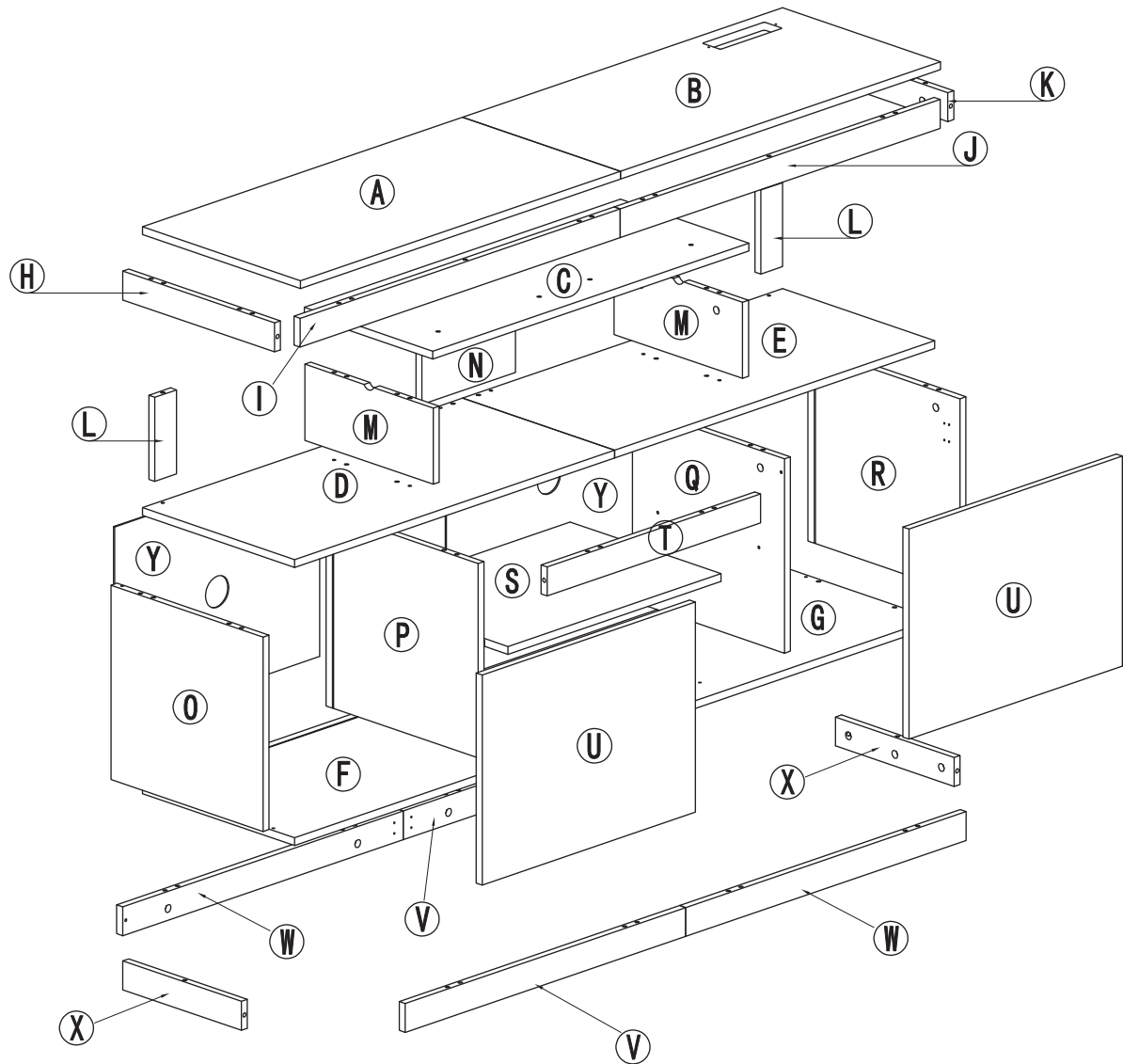
ASSEMBLY INSTRUCTIONS



FOR BEST RESULTS, ASSEMBLY IS
RECOMMENDED WITH TWO PEOPLE.

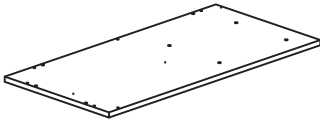
2

BOARD IDENTIFICATION

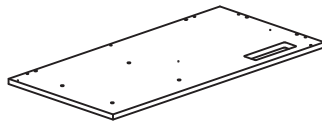


FOR BEST RESULTS, ASSEMBLY IS
RECOMMENDED WITH TWO PEOPLE.

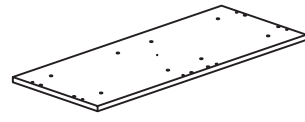
PARTS LIST



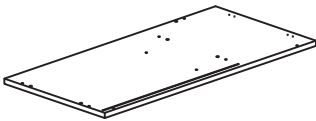
Ⓐ *1PC



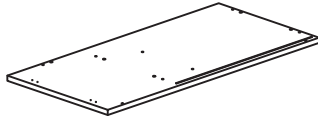
Ⓑ *1PC



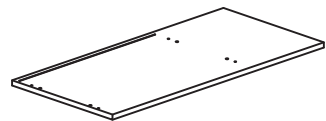
Ⓒ *1PC



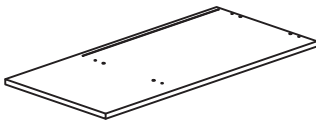
Ⓓ *1PC



Ⓔ *1PC



Ⓕ *1PC



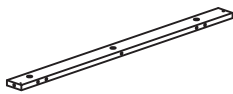
Ⓖ *1PC



Ⓗ *1PC



Ⓘ *1PC



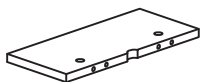
Ⓙ *1PC



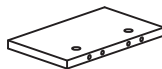
Ⓚ *1PC



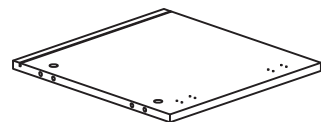
Ⓛ *2PCS



Ⓜ *2PCS

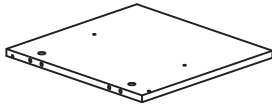


Ⓝ *1PC

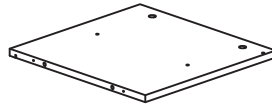


Ⓞ *1PC

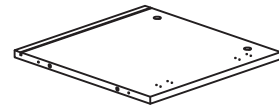
PARTS LIST



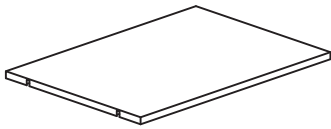
Ⓟ *1PC



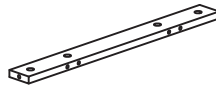
Ⓠ *1PC



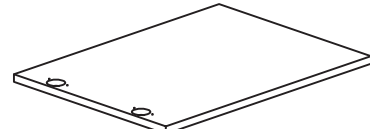
Ⓡ *1PC



Ⓢ *1PC



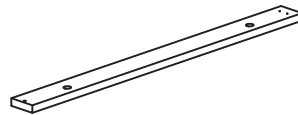
Ⓣ *1PC



Ⓤ *2PCS



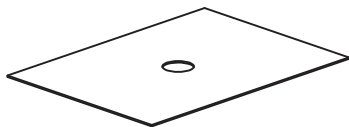
Ⓥ *2PCS



Ⓦ *2PCS

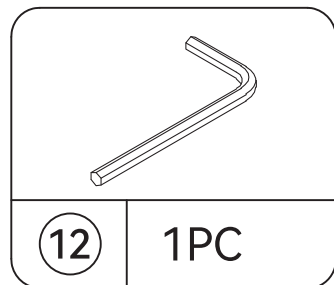
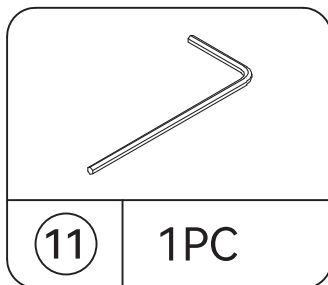
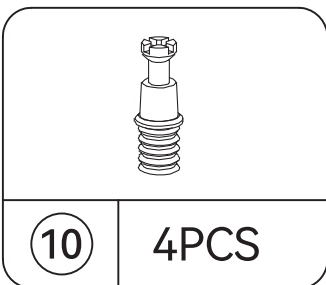
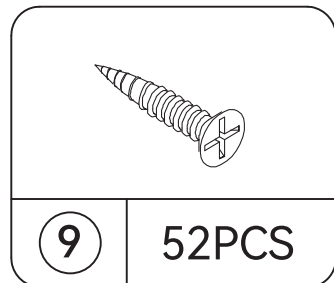
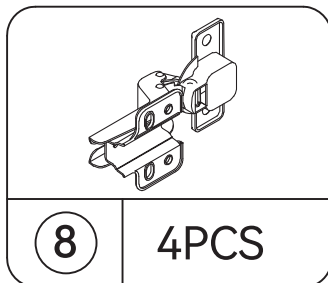
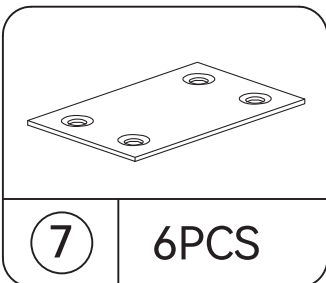
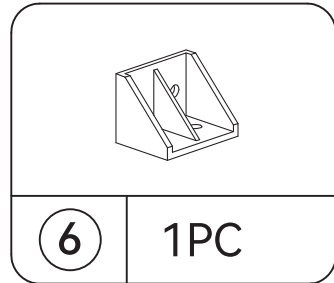
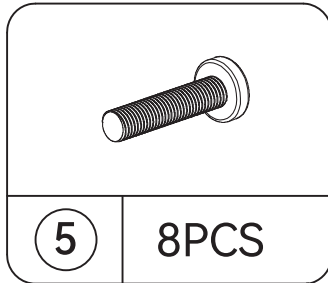
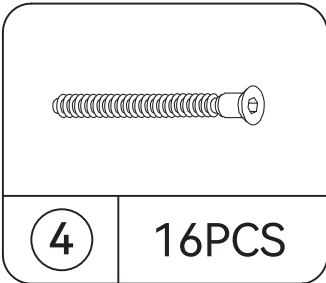
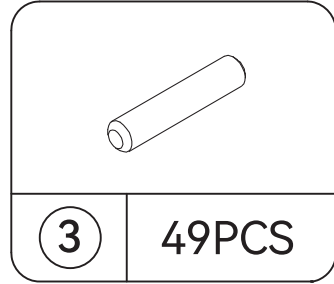
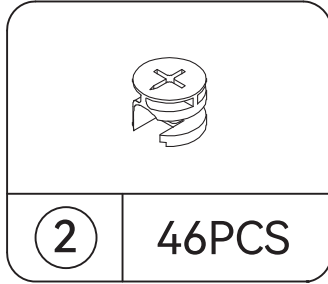
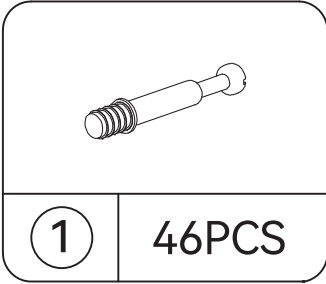


Ⓧ *2PCS

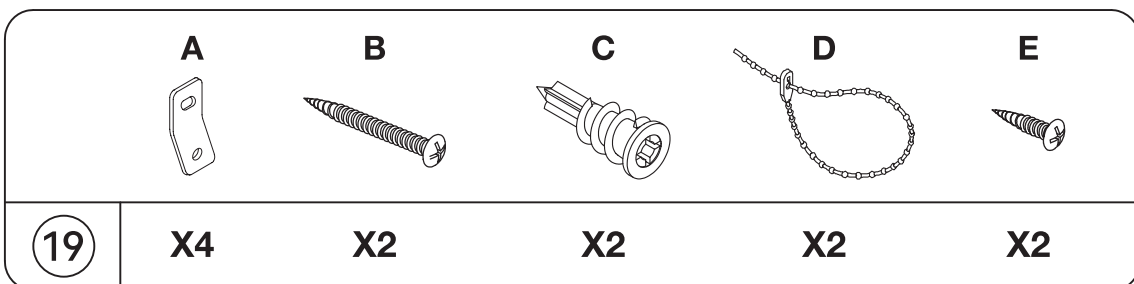
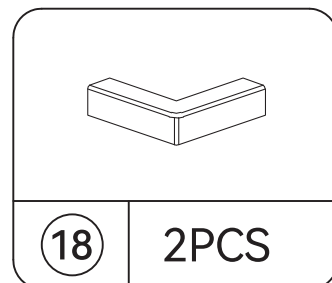
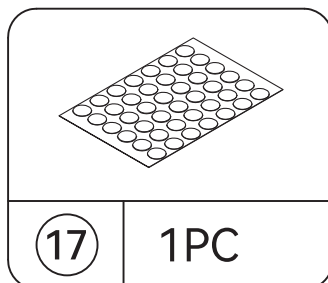
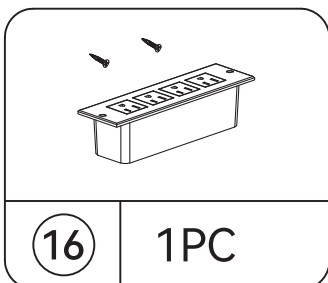
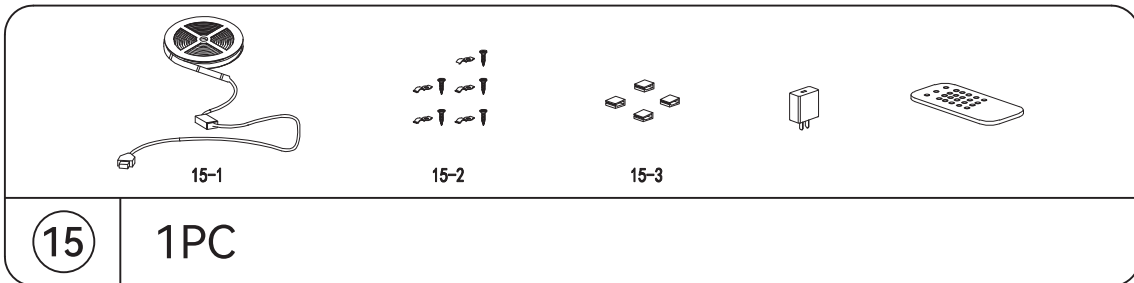
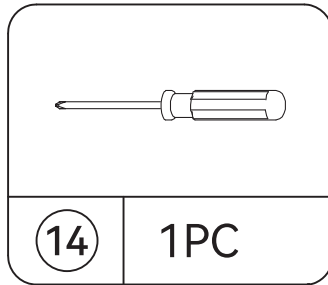
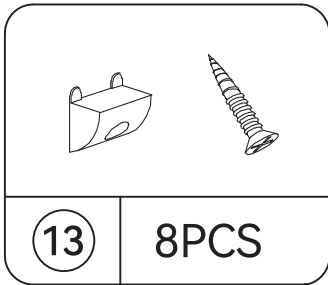


Ⓨ *2PCS

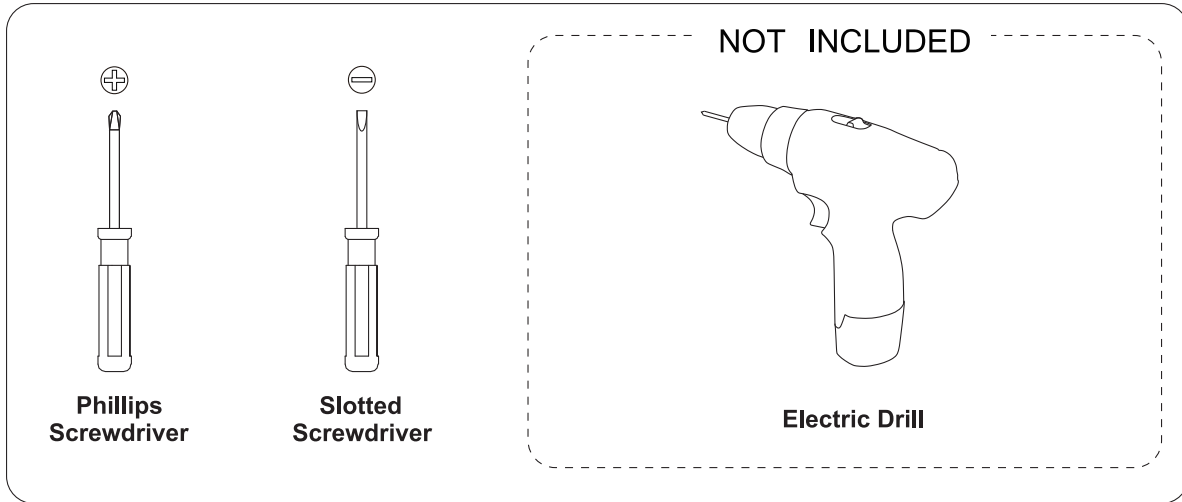
5



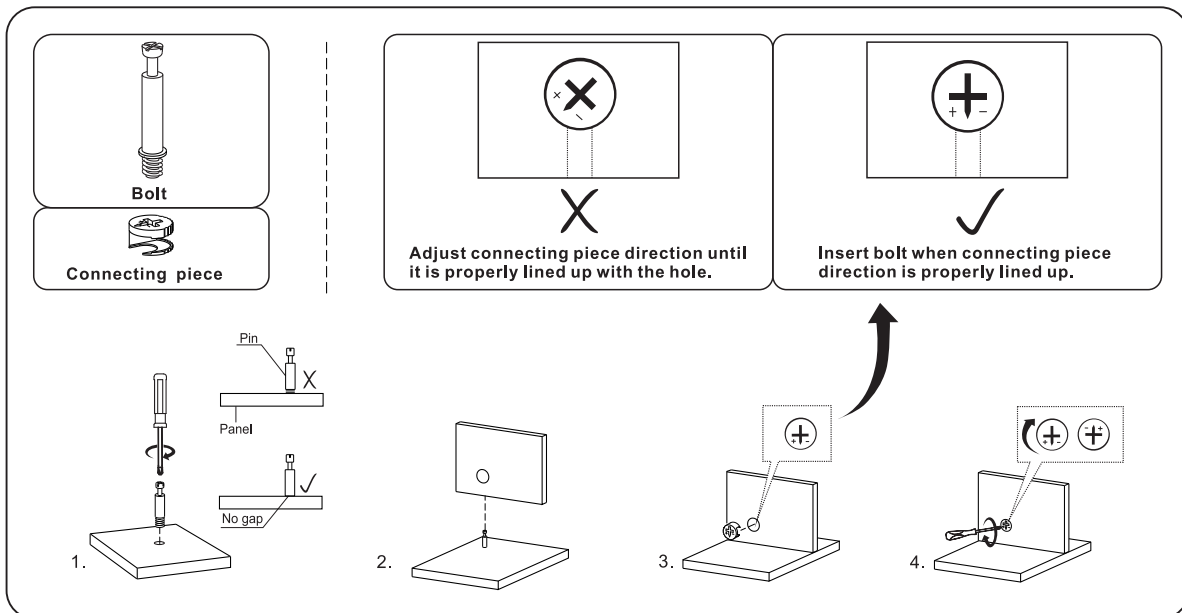
6



TOOL REQUIRED



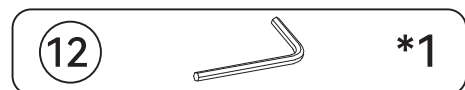
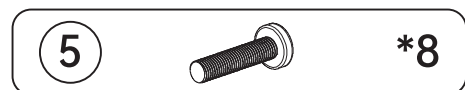
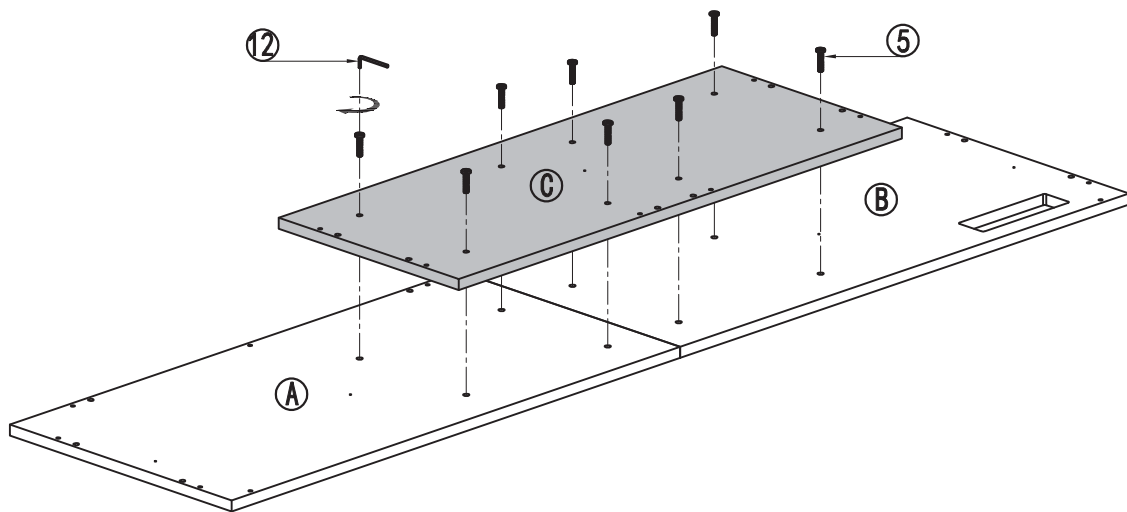
INTRODUCTION



8

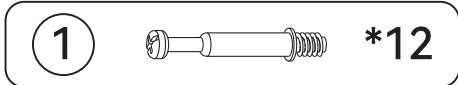
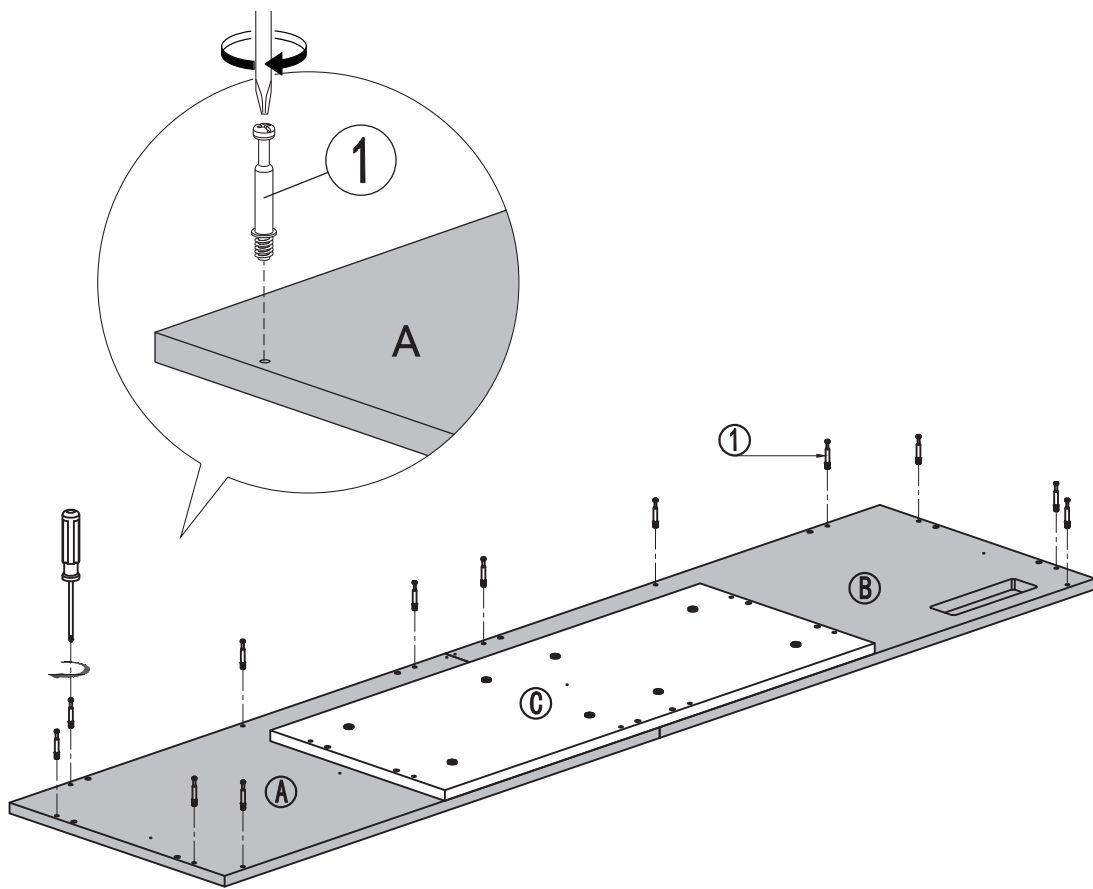
STEP 1

MAKE SURE THE ASSEMBLY IS DONE ON A LEVEL AND SOFT SURFACE
(SUCH AS BLANKETS),
TO PREVENT DAMAGING THE PARTS DURING ASSEMBLY.



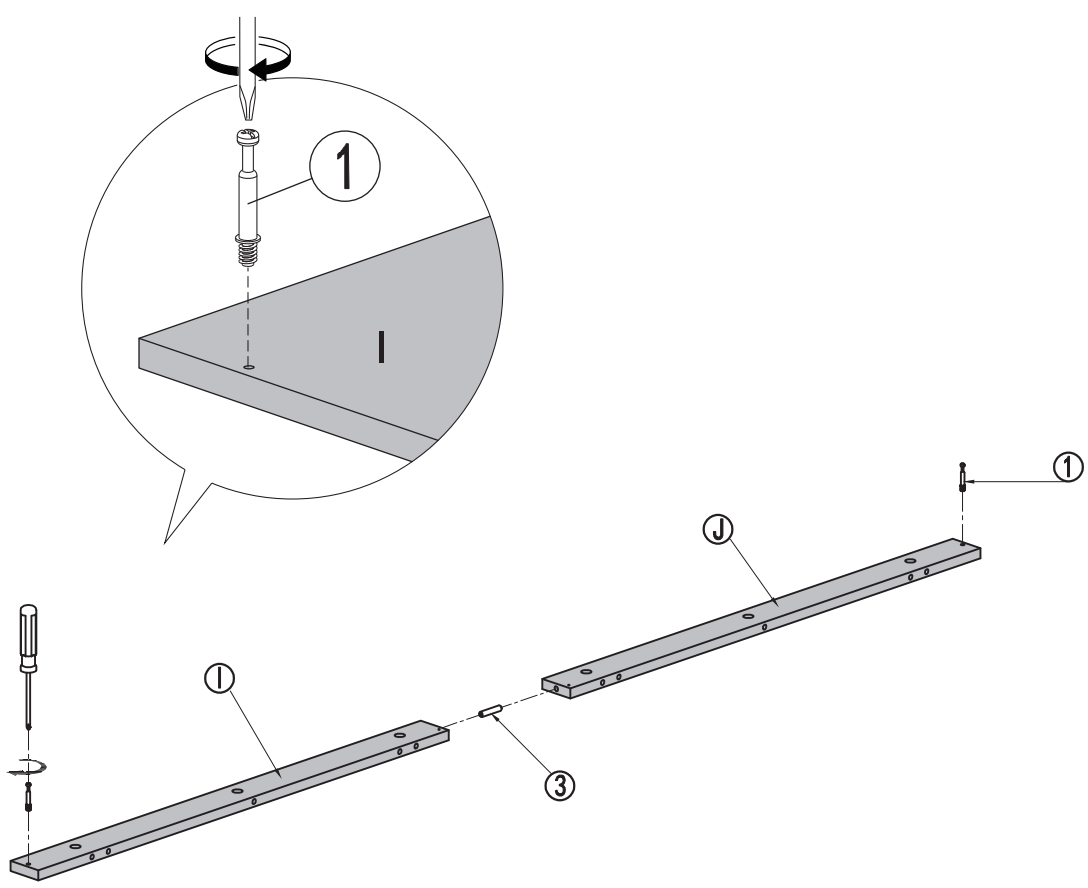
9

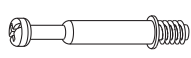
STEP 2



10

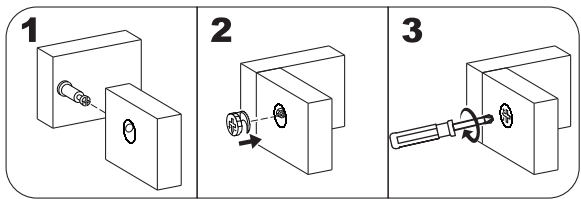
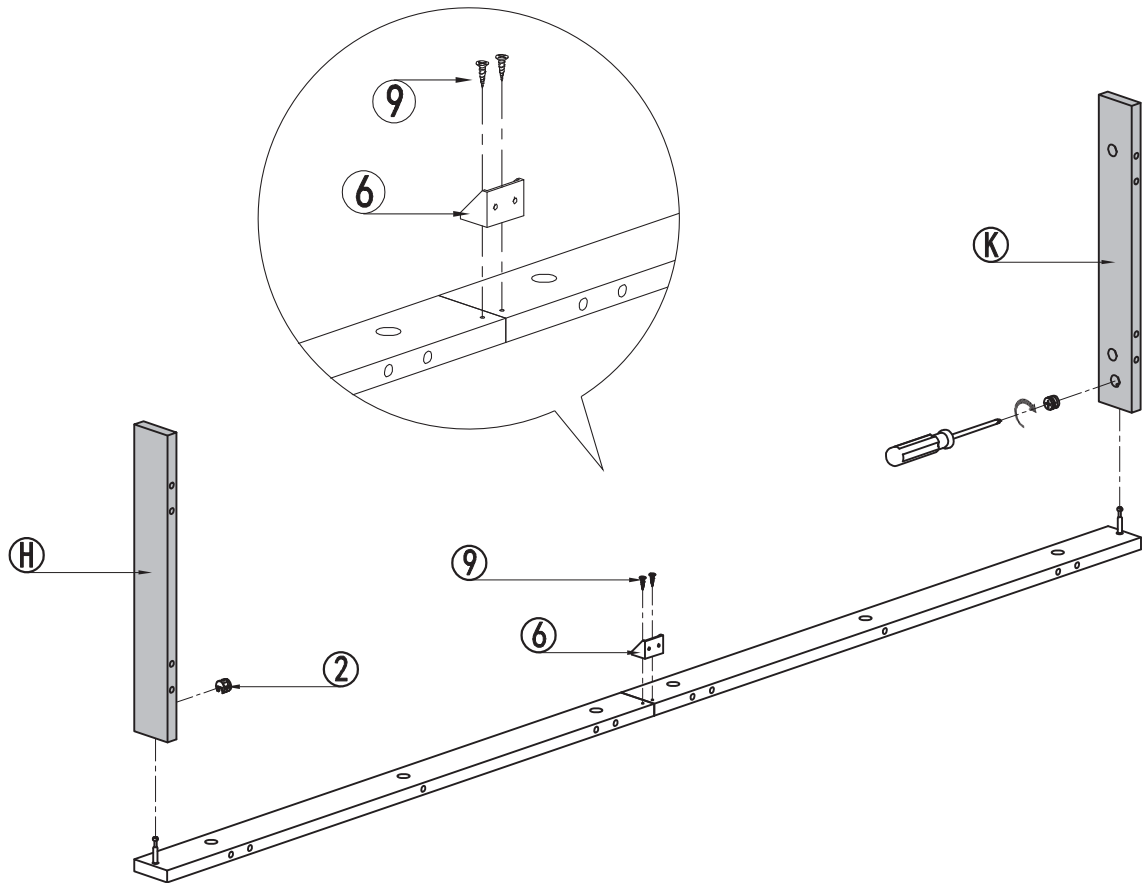
STEP 3




①		*2
---	---	----

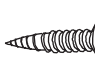
③		*1
---	---	----

STEP 4



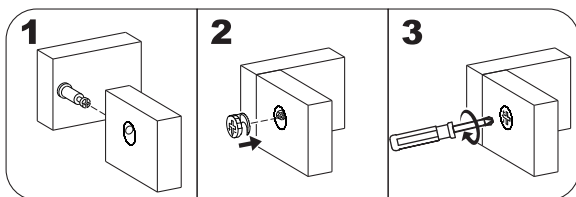
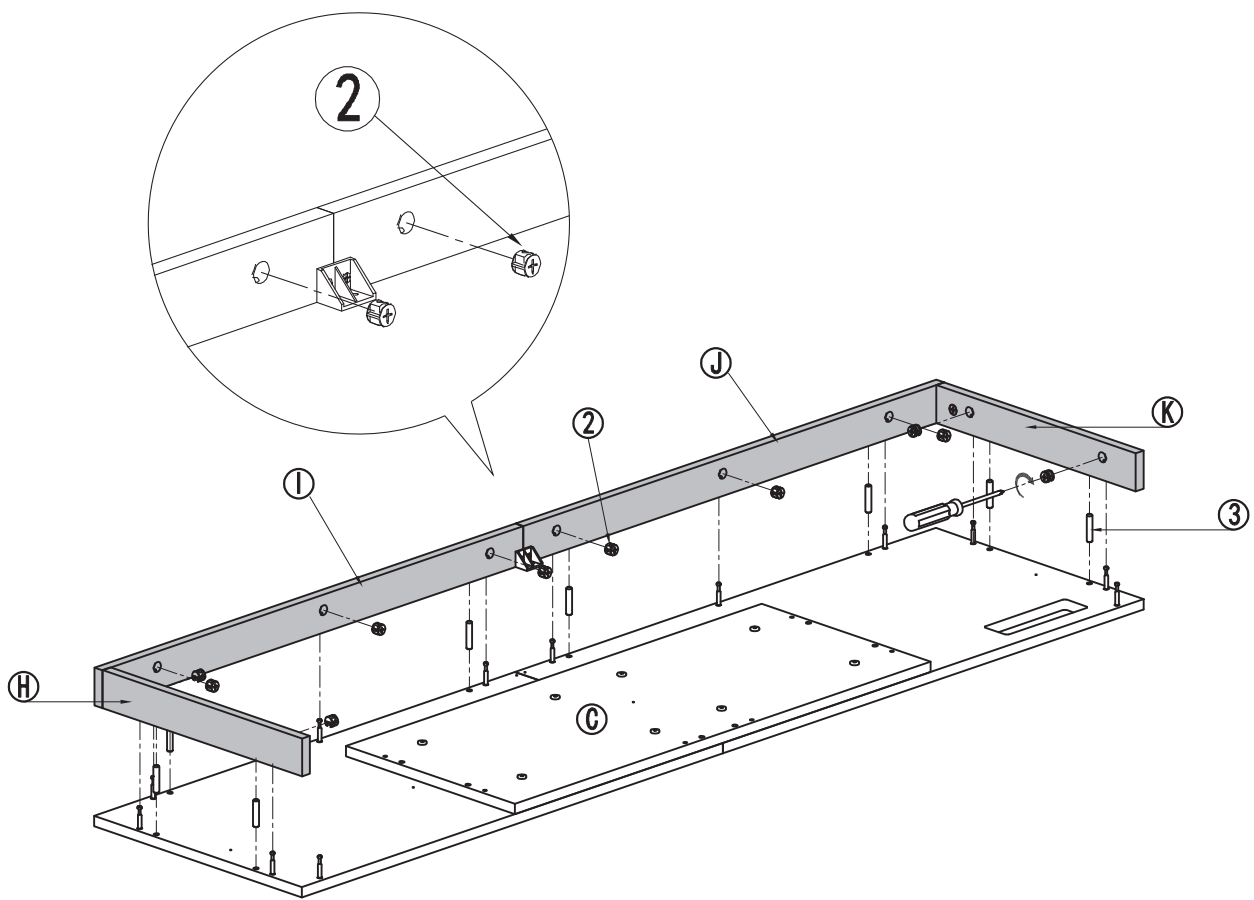
②  *2

⑥  *1


⑨  *2

12

STEP 5

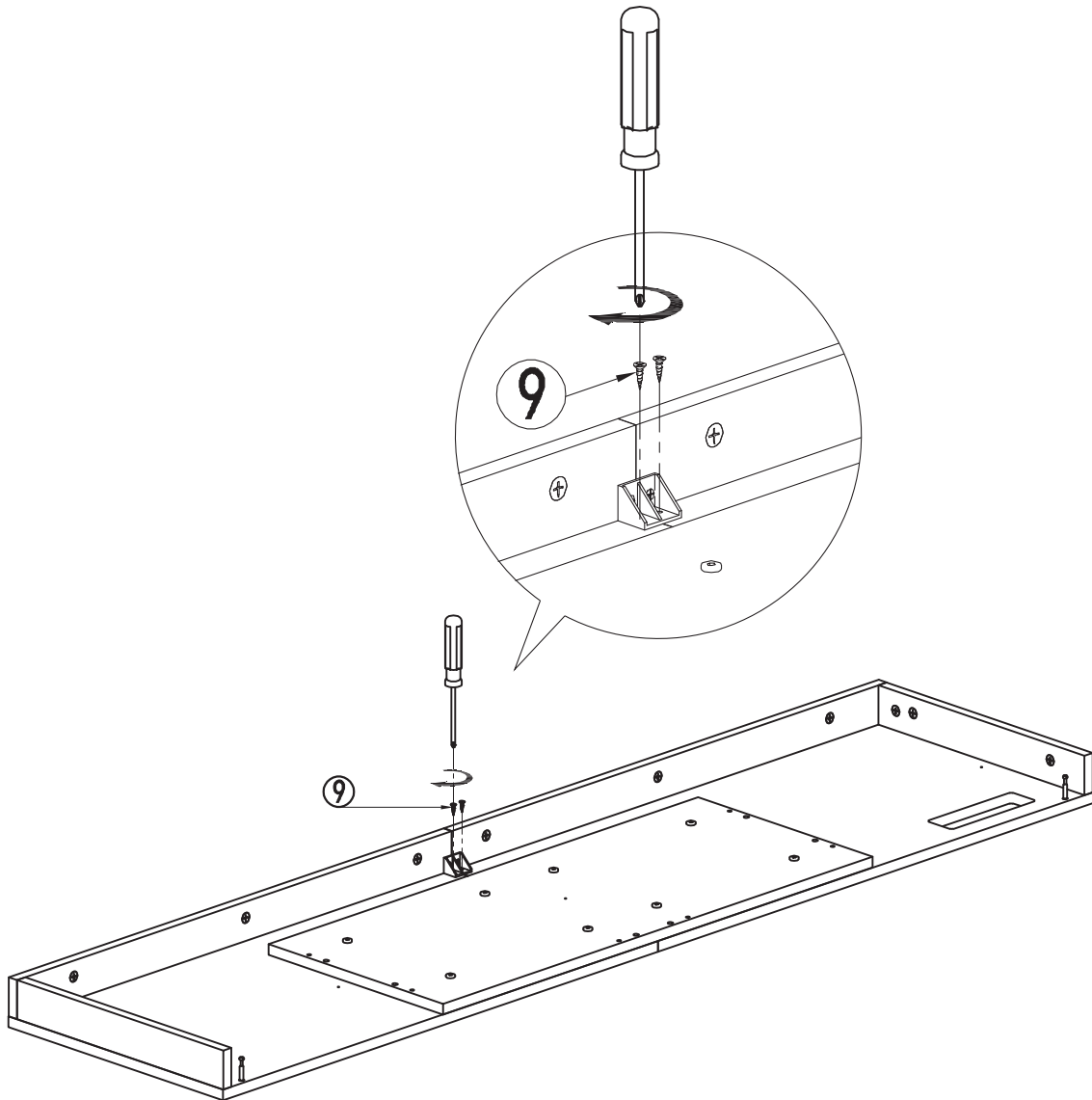



②  *10

③  *8

13

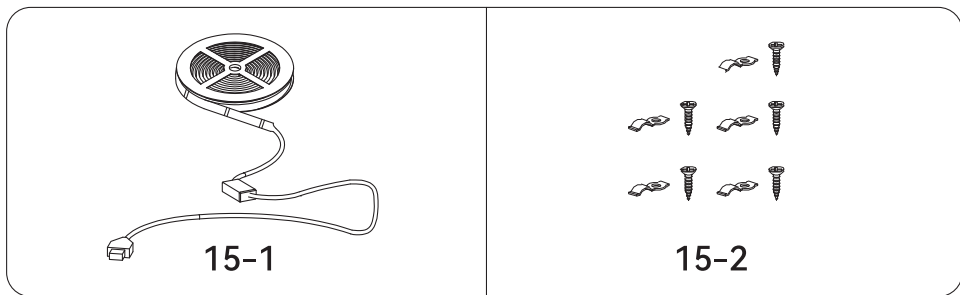
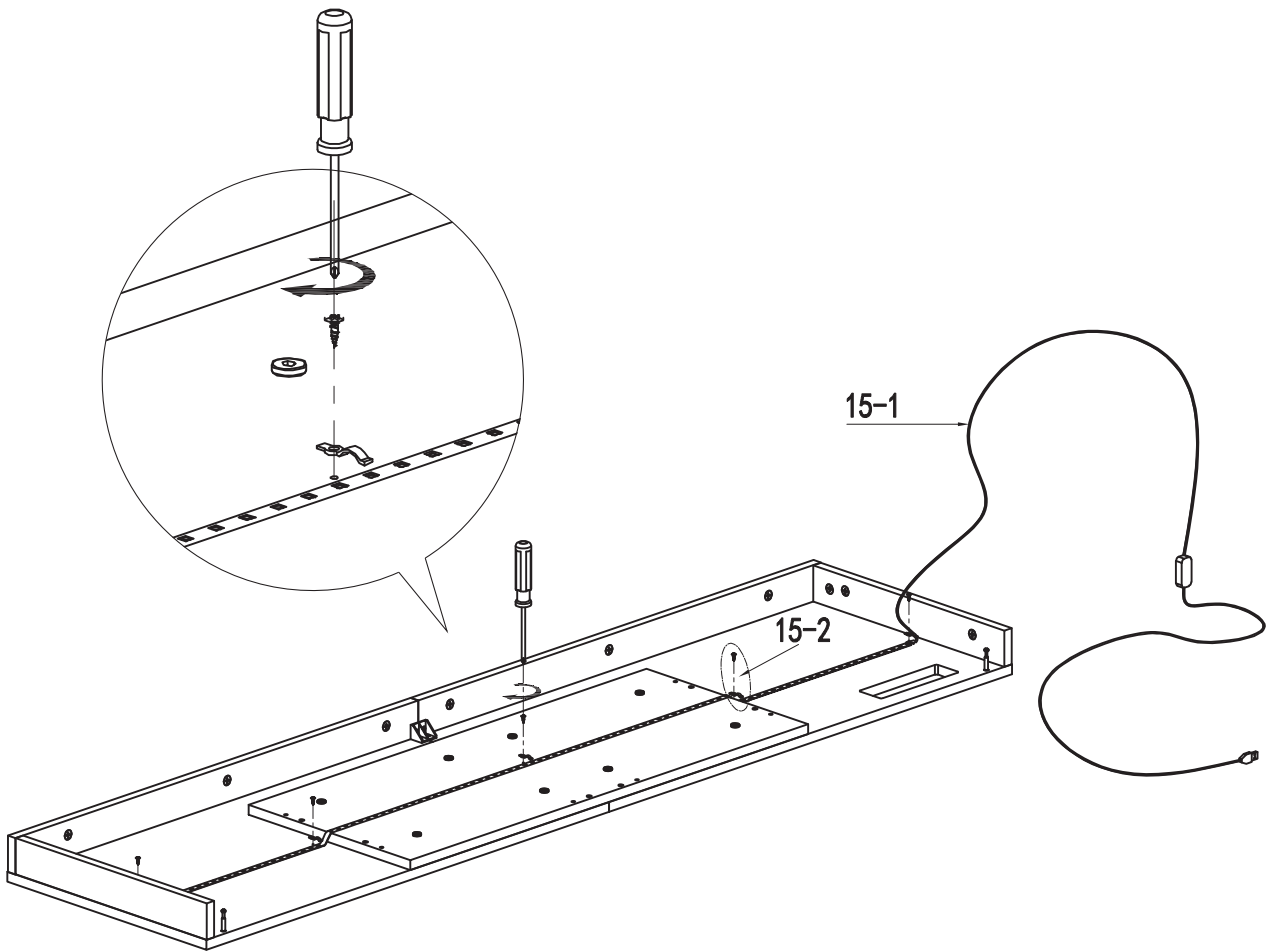
STEP 6



9  *2

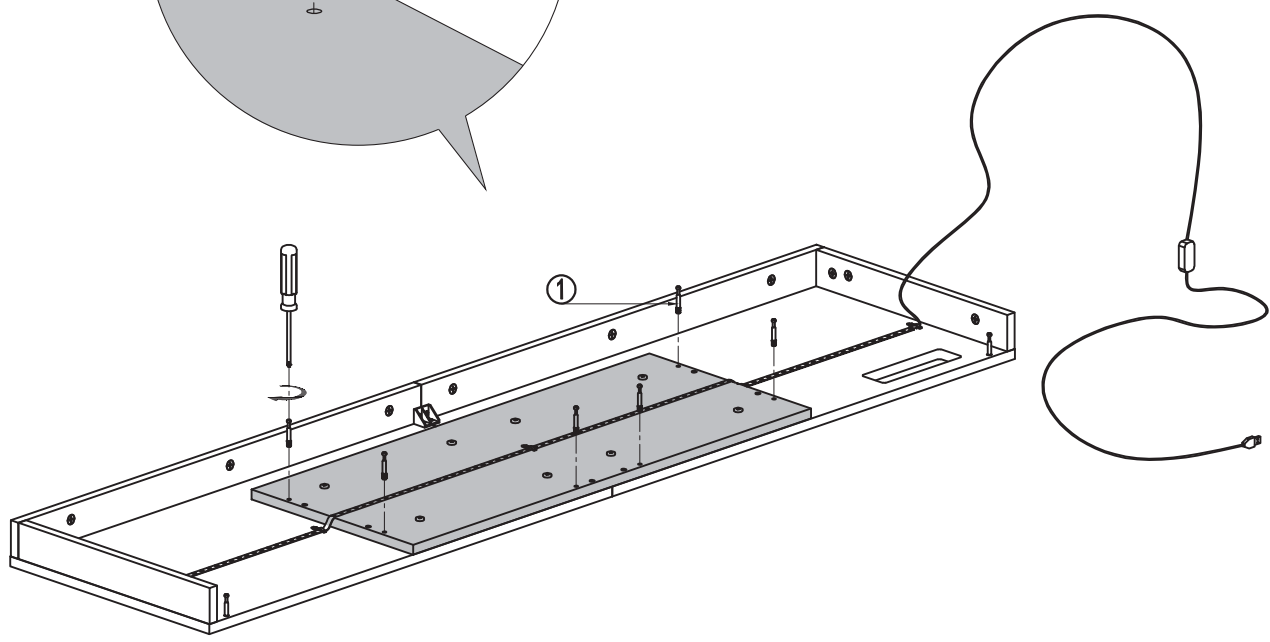
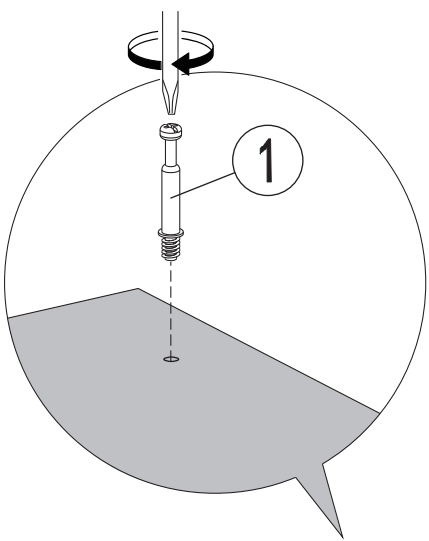
14

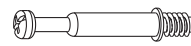
STEP 7



15

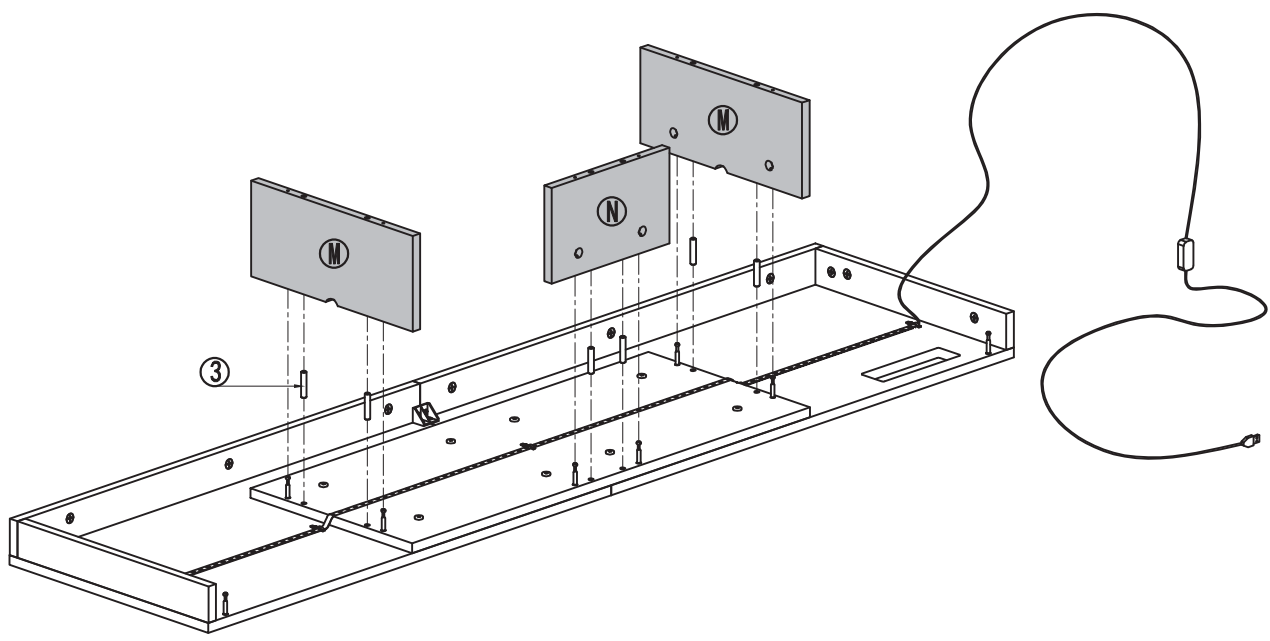
STEP 8

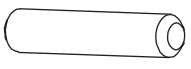


- ①  *6

16

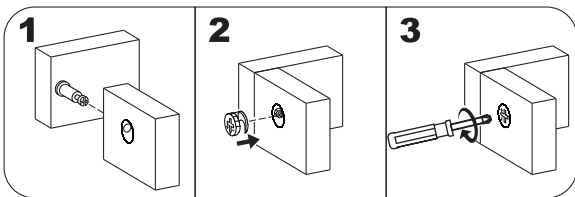
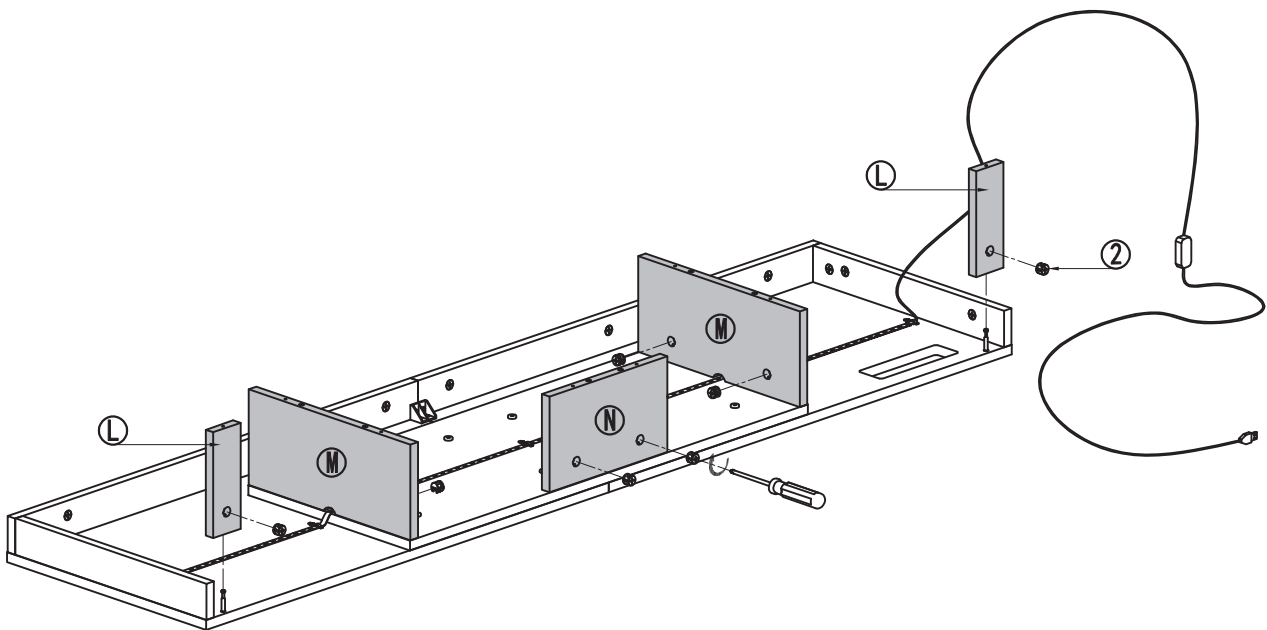
STEP 9



③  *6

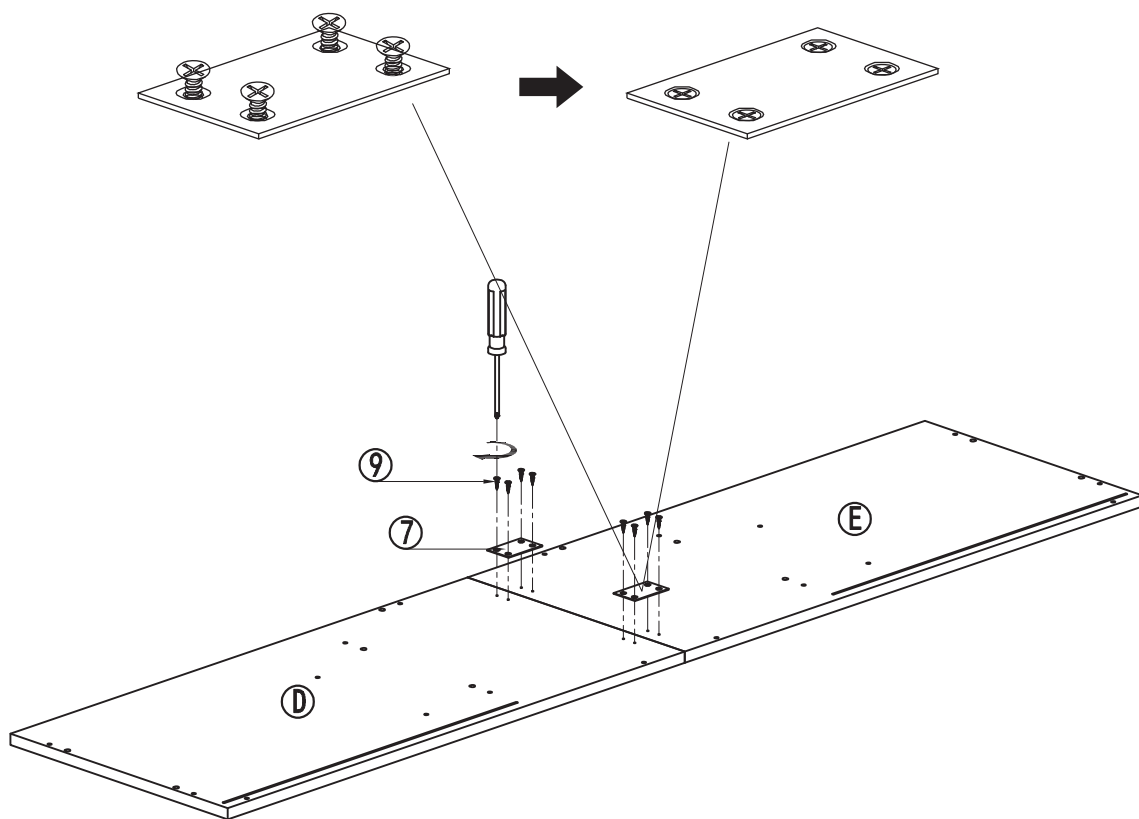
17


STEP 10




STEP 11

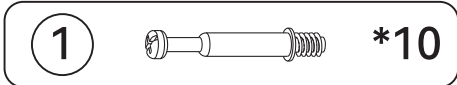
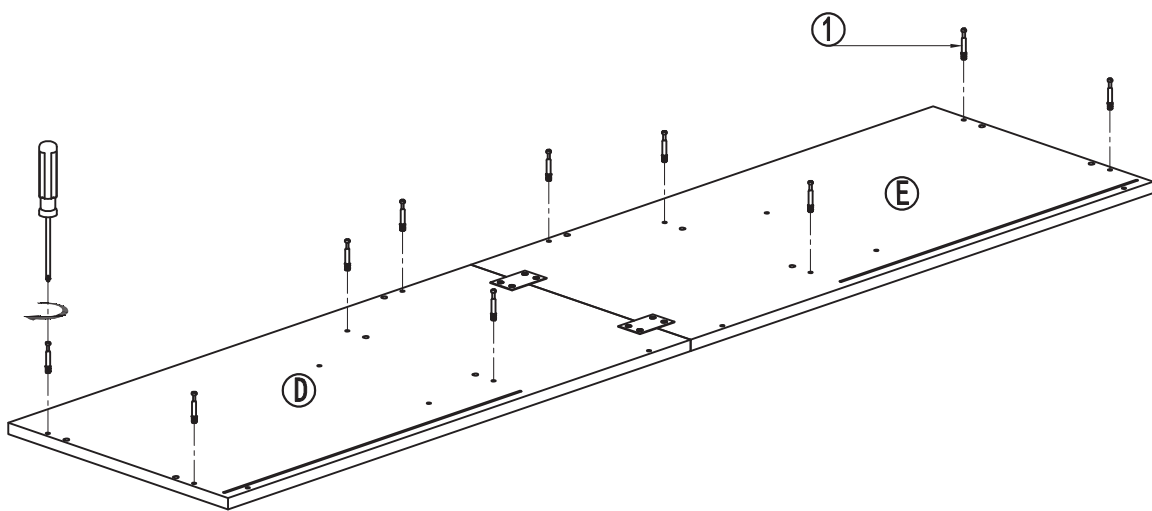
Tips: Please assemble on a flat ground. It is recommended to drill half of the positioning holes as shown in the figure, and then fully drive in, To ensure that the board is flat.



7  *2

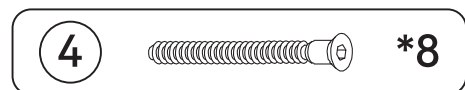
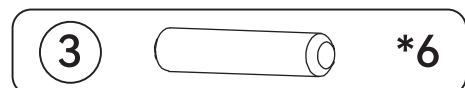
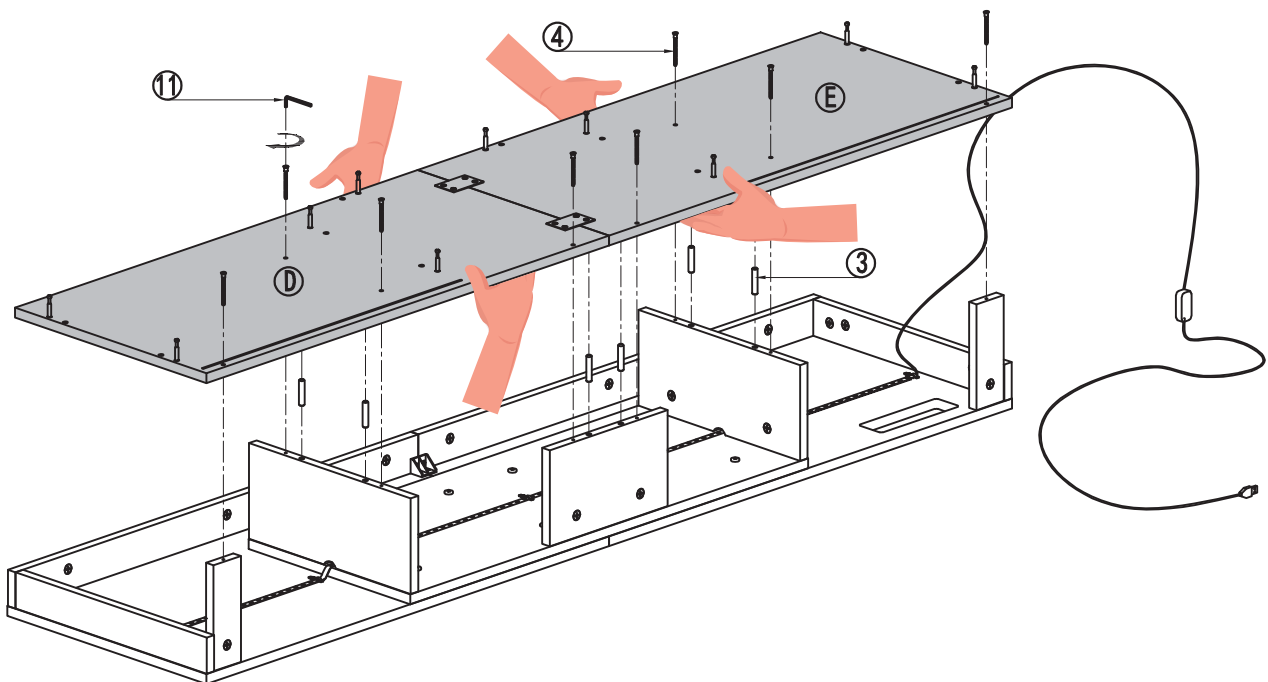
9  *8

STEP 12



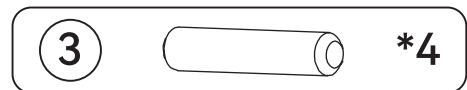
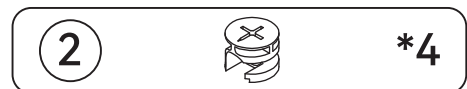
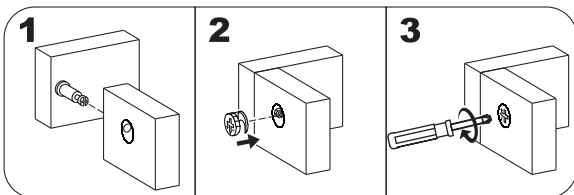
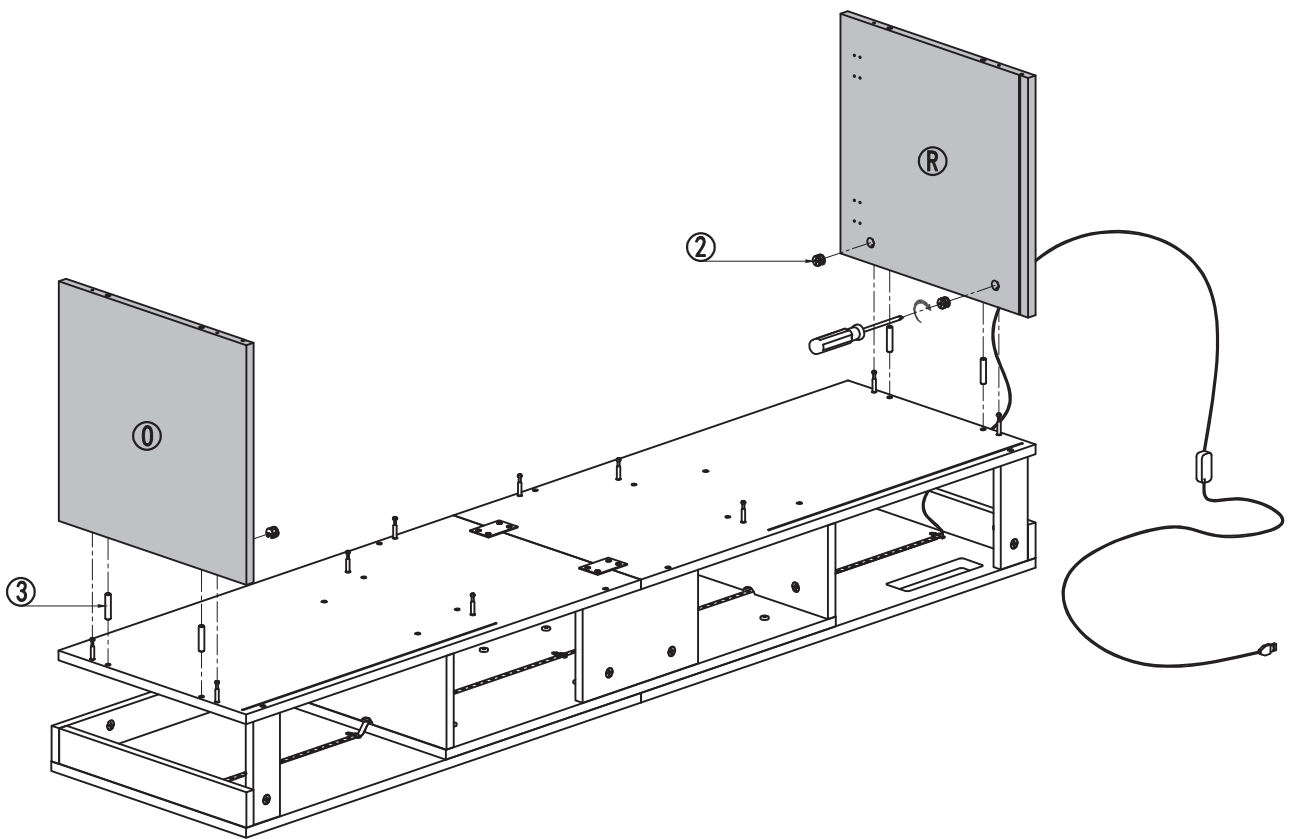
STEP 13

PLEASE LIFT AND MOVE ACCORDING TO THE METHOD ILLUSTRATED IN THE PICTURE.

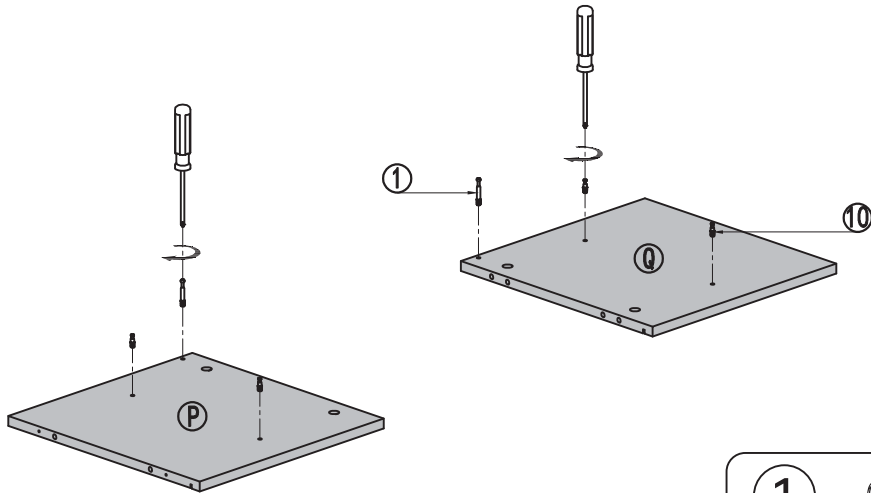


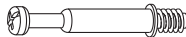

21

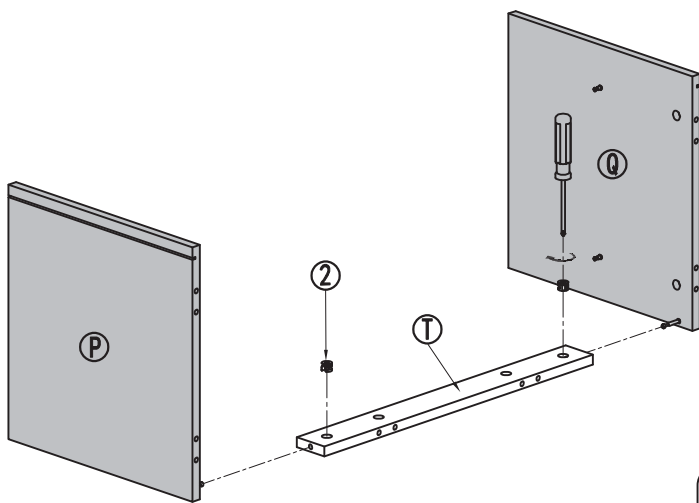
STEP 14



STEP 15



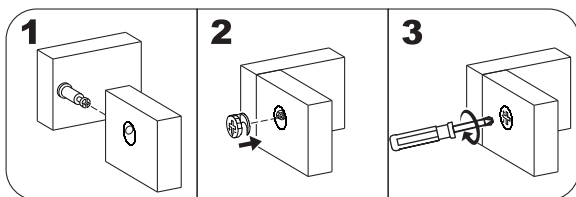
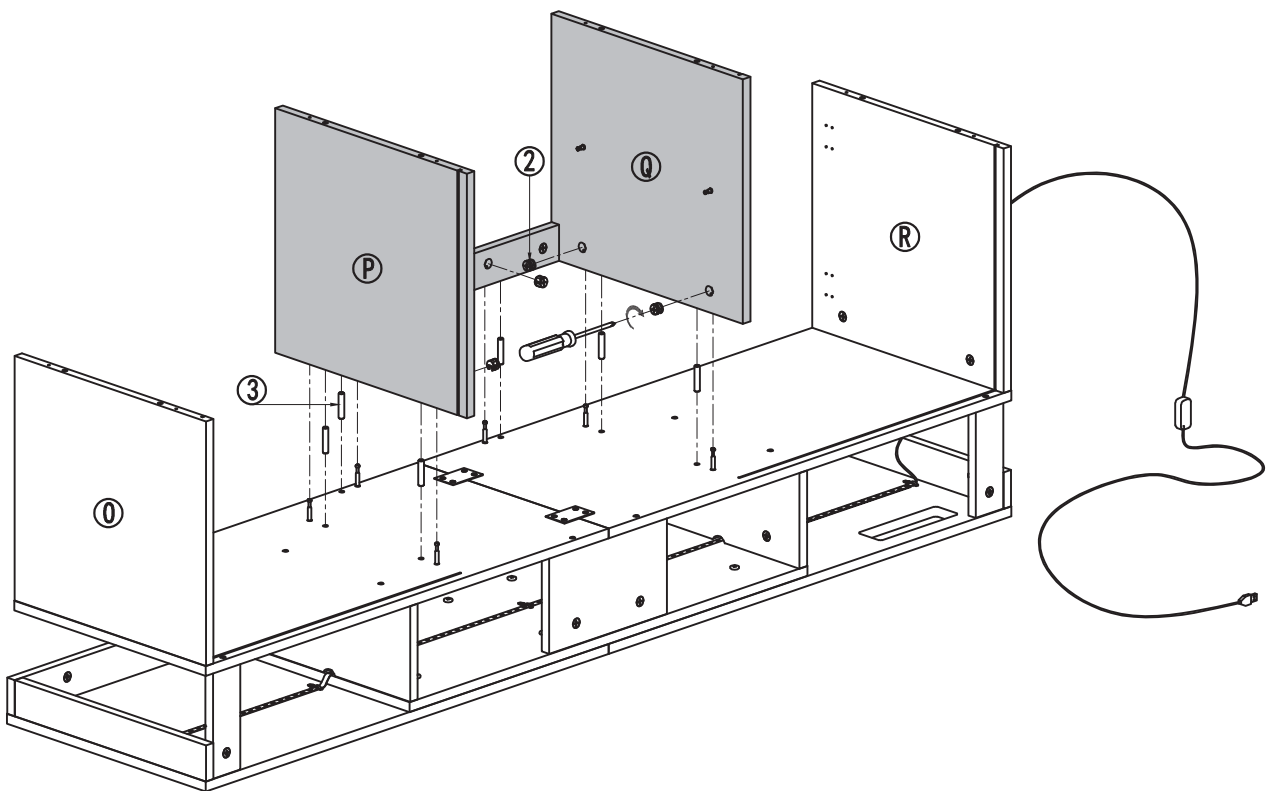
- 1

*2
- 10

*4



- 2

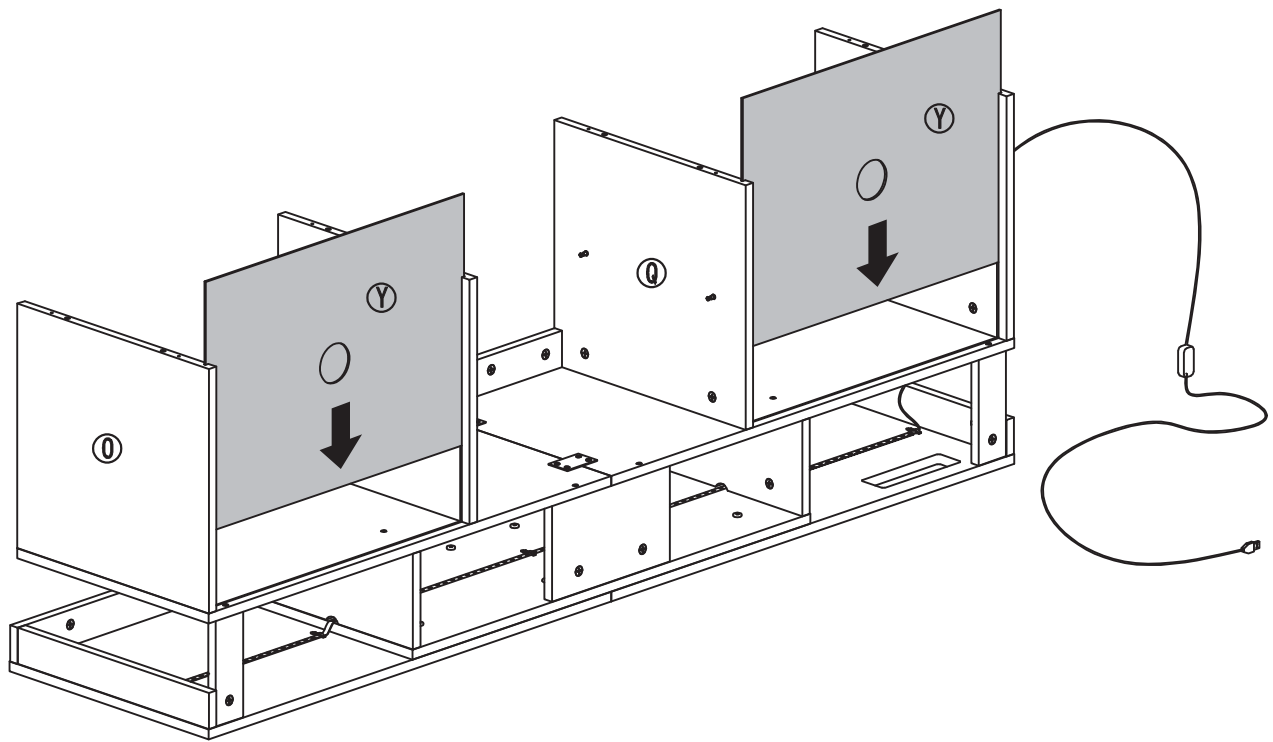
*2

STEP 16



24

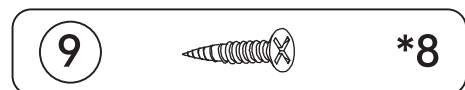
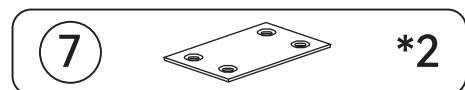
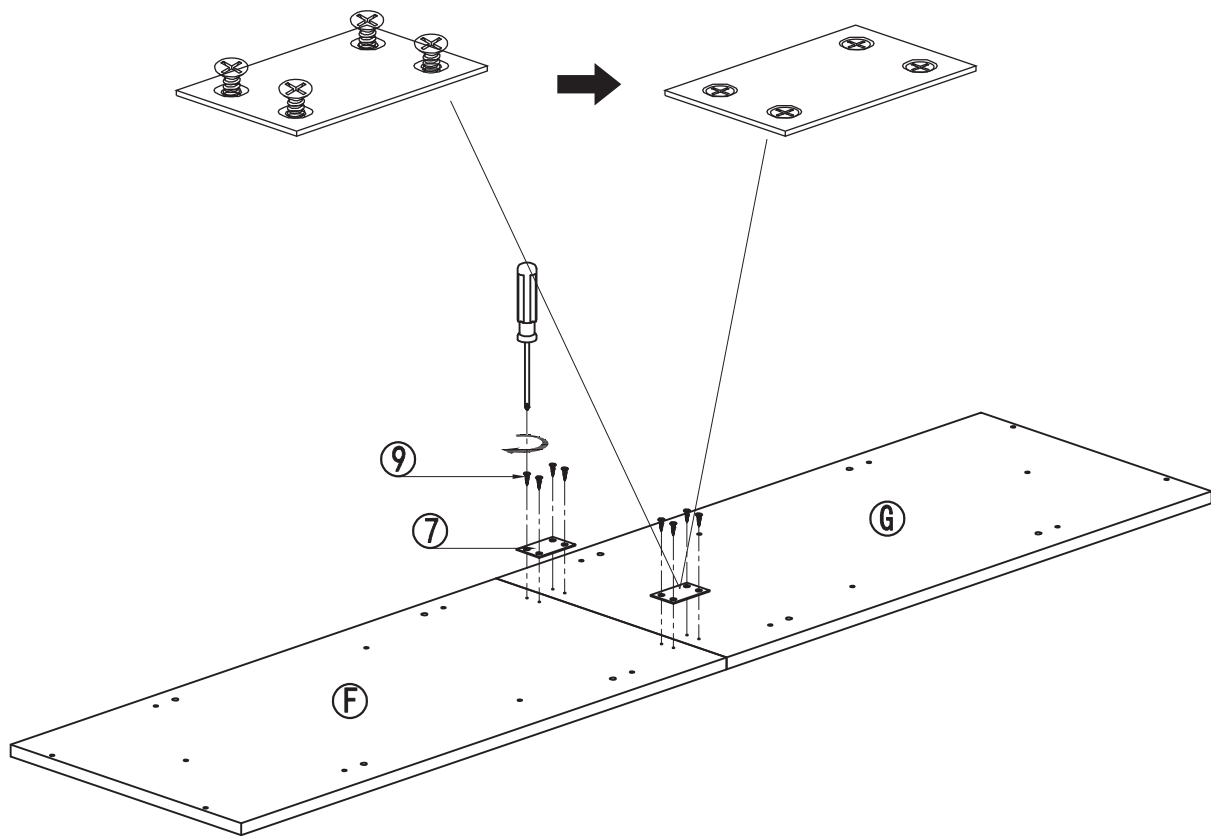
STEP 17



25

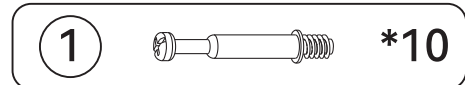
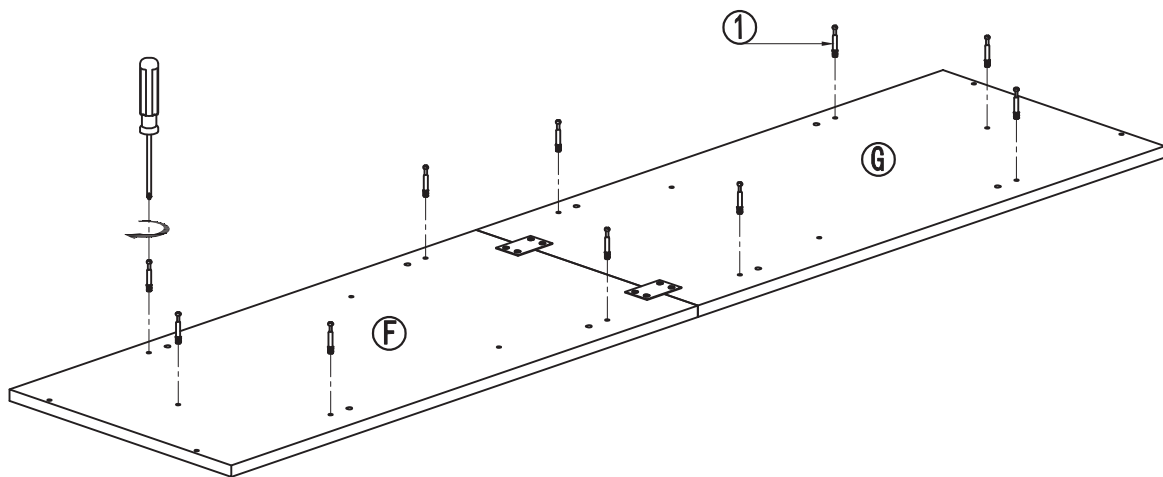
STEP 18

Tips: Please assemble on a flat ground. It is recommended to drill half of the positioning holes as shown in the figure, and then fully drive in, To ensure that the board is flat.



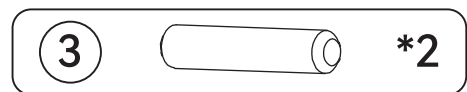
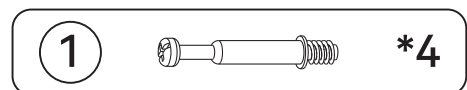
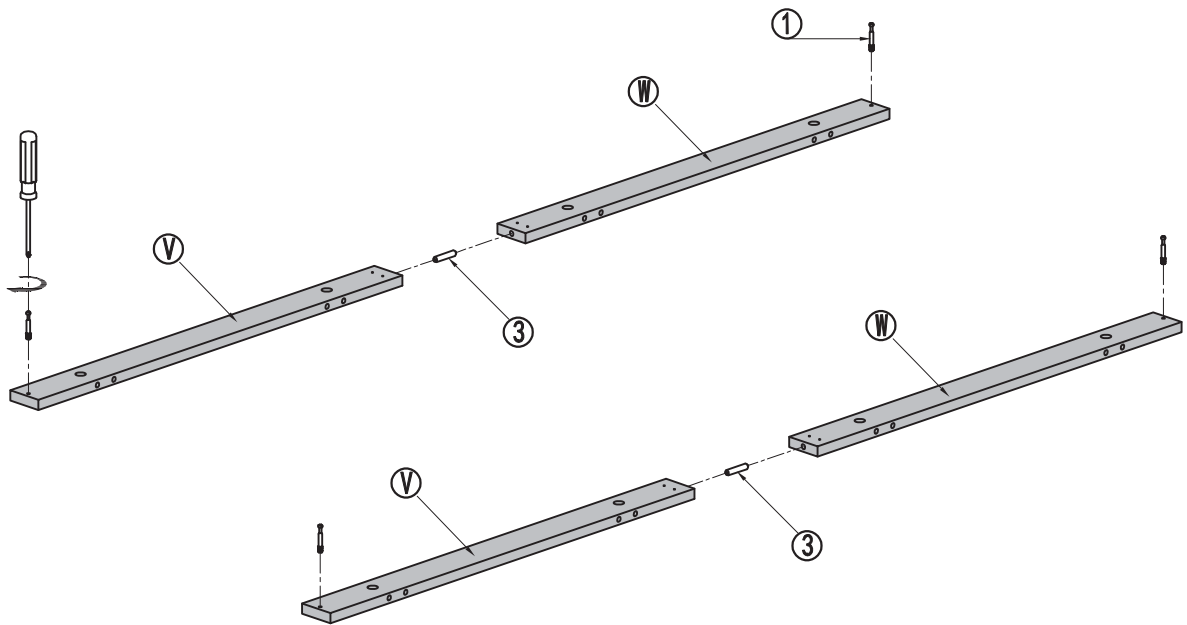
26

STEP 19



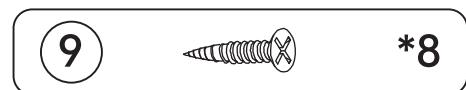
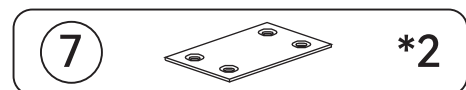
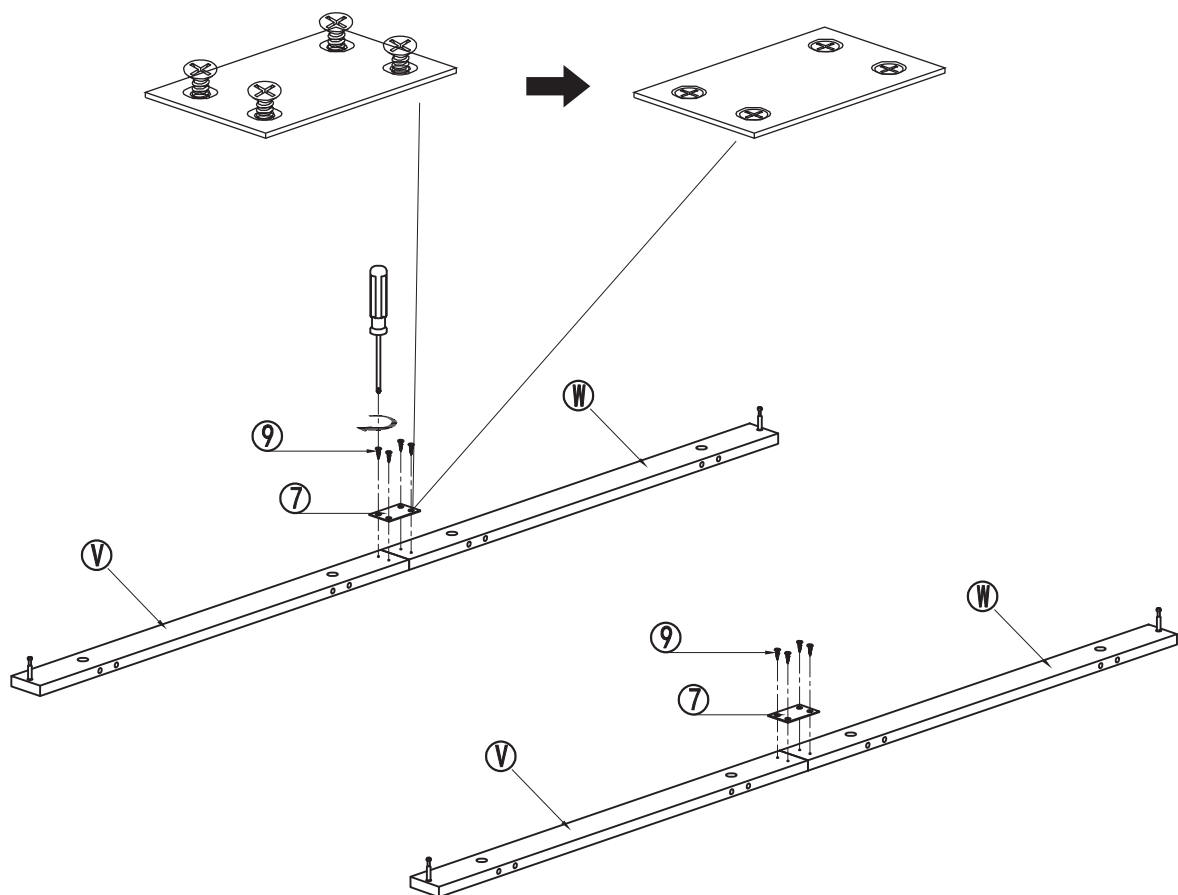
27

STEP 20

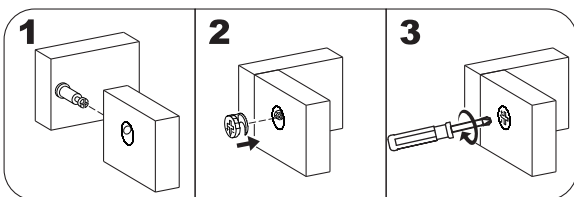
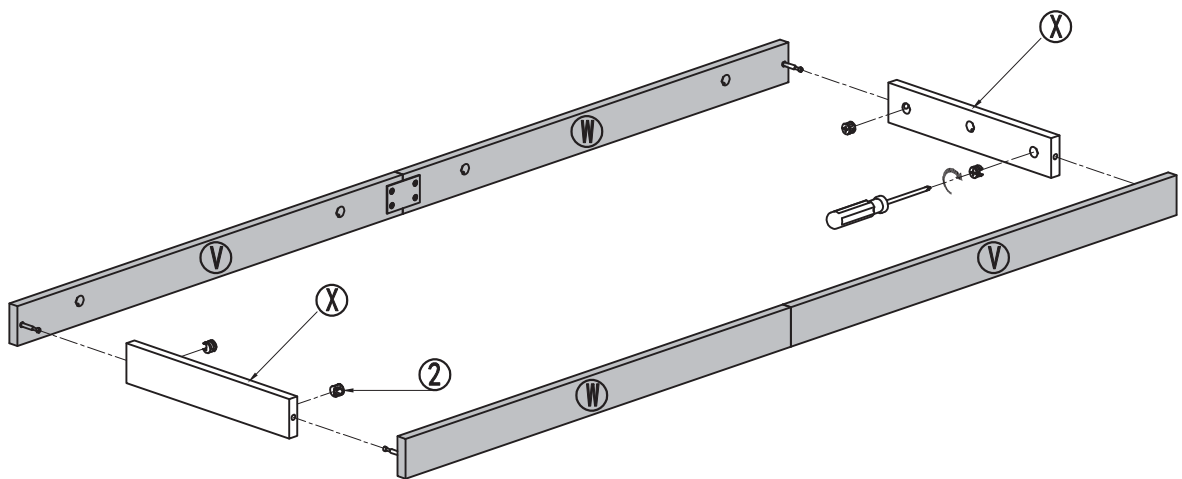


STEP 21

Tips: Please assemble on a flat ground. It is recommended to drill half of the positioning holes as shown in the figure, and then fully drive in, To ensure that the board is flat.



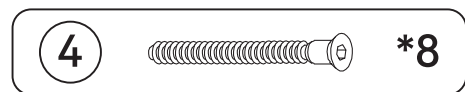
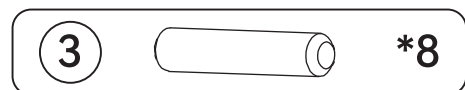
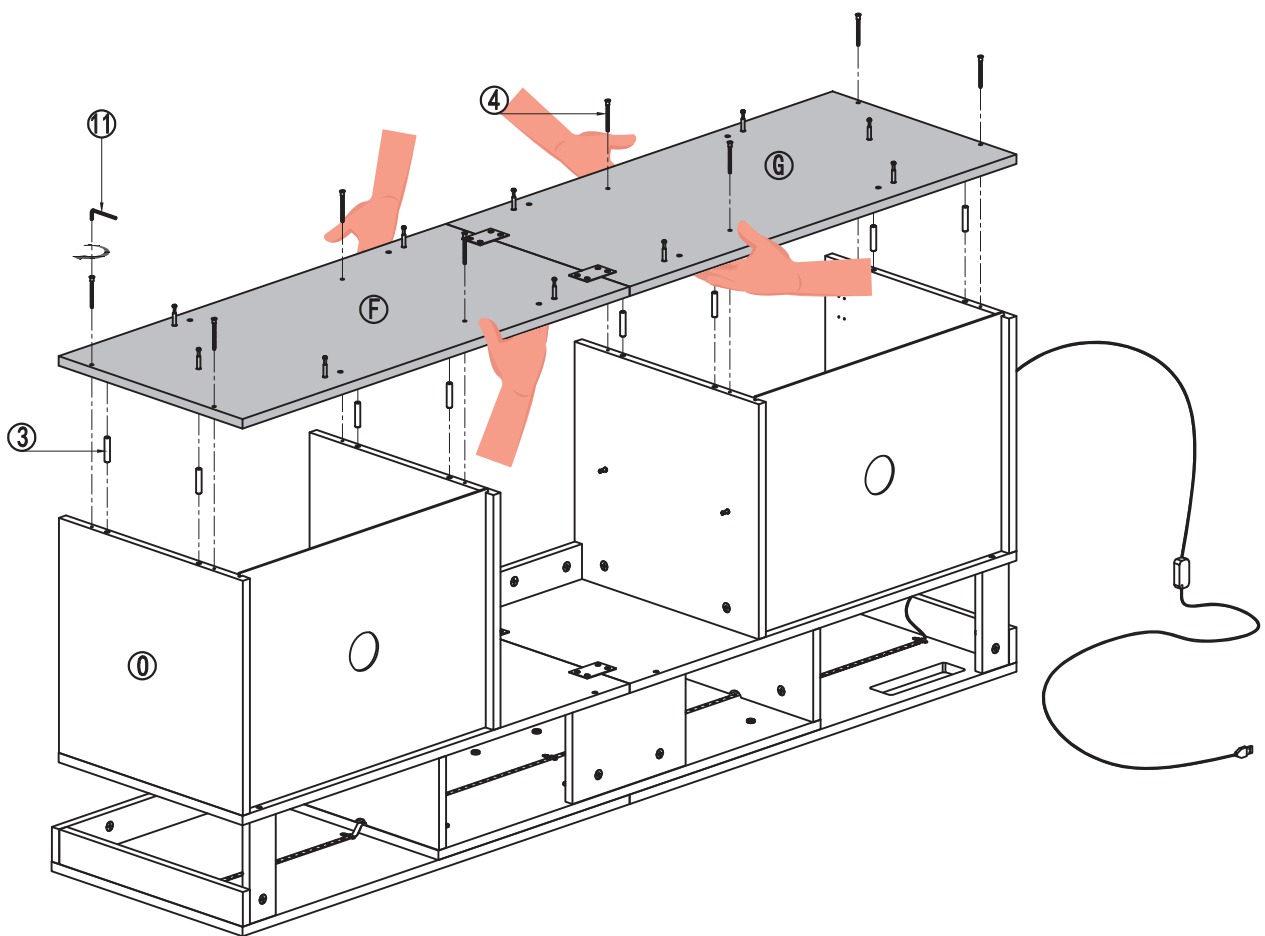
STEP 22



30

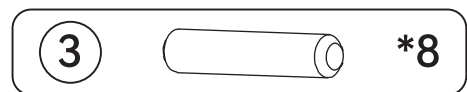
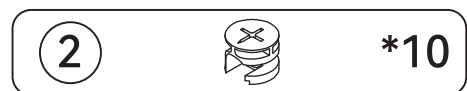
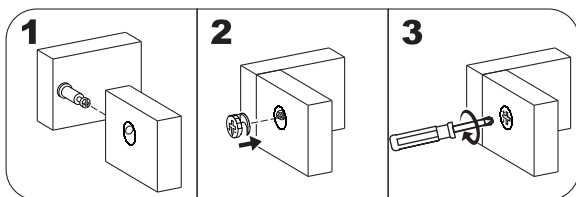
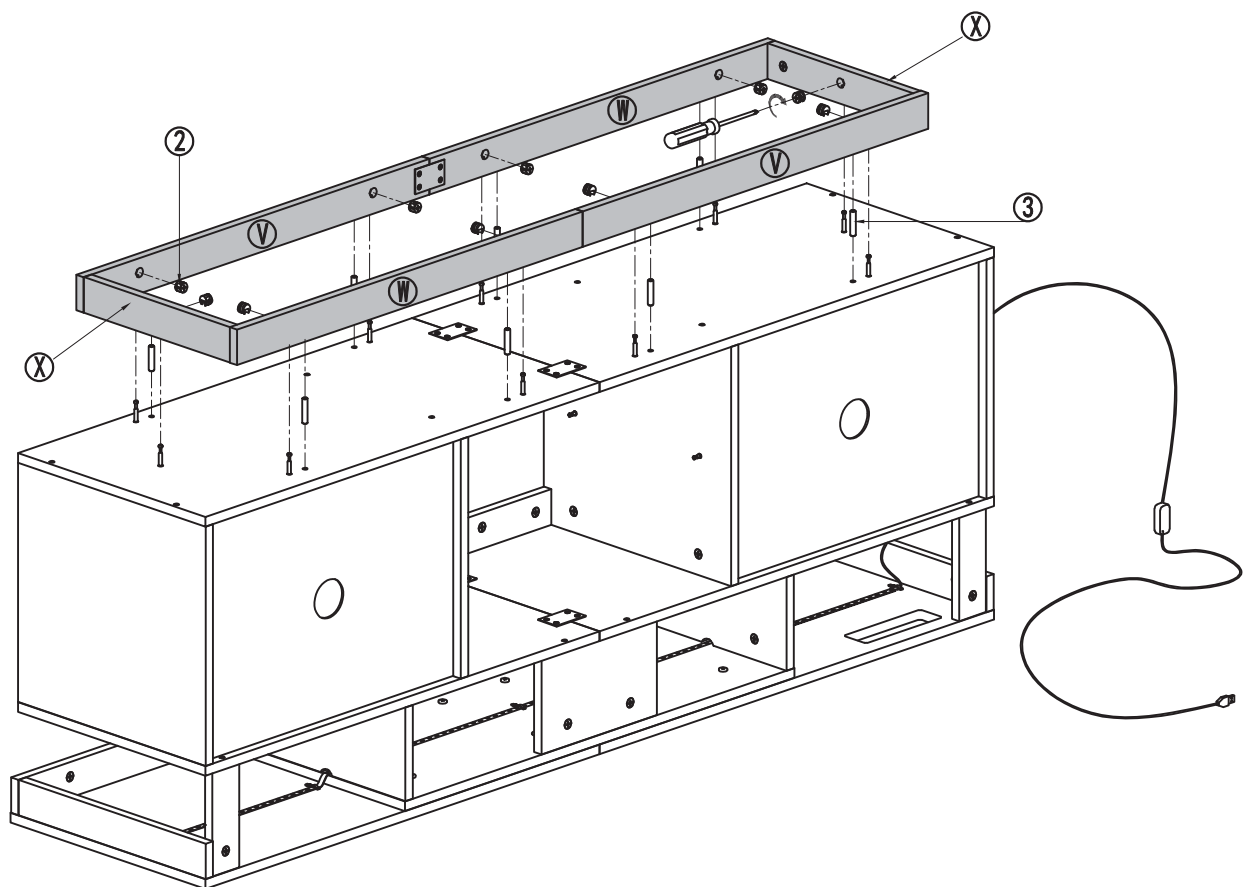
STEP 23

PLEASE LIFT AND MOVE ACCORDING TO THE METHOD ILLUSTRATED IN THE PICTURE.



31

STEP 24

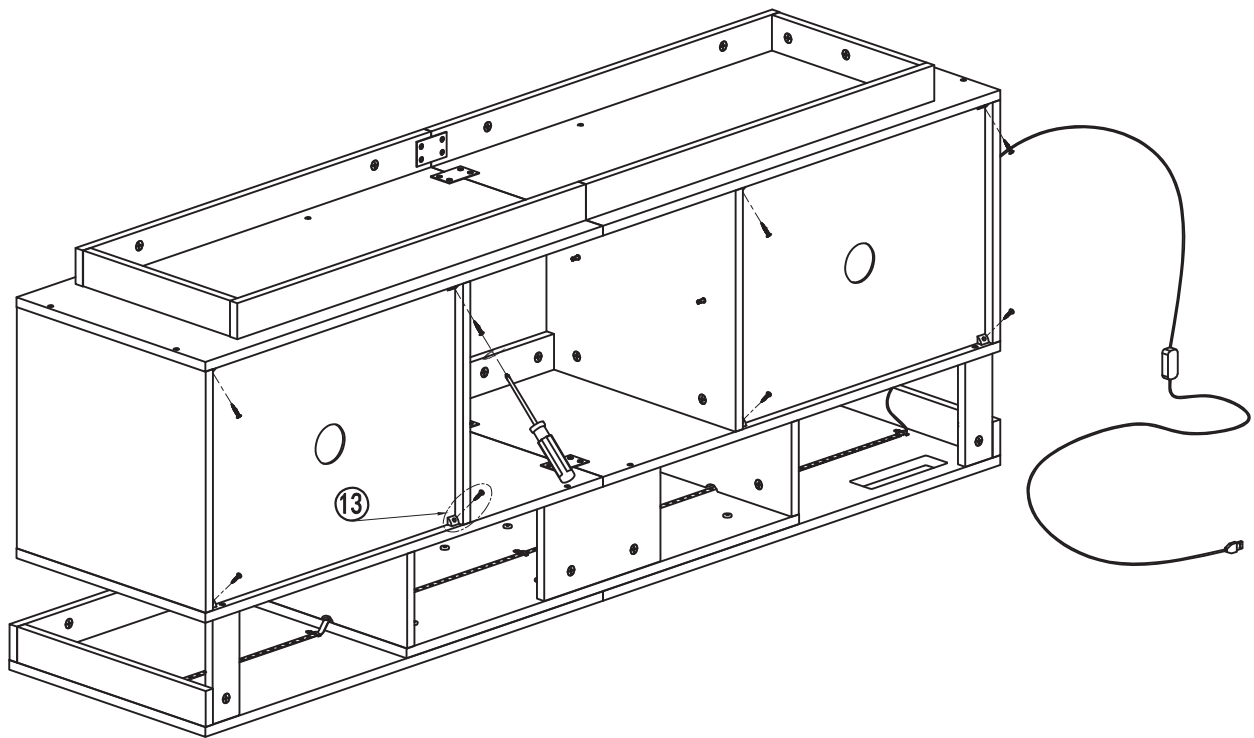


32

STEP 25



WITH THE HELP OF AN ASSISTANT, TURN TV STAND UPRIGHT.



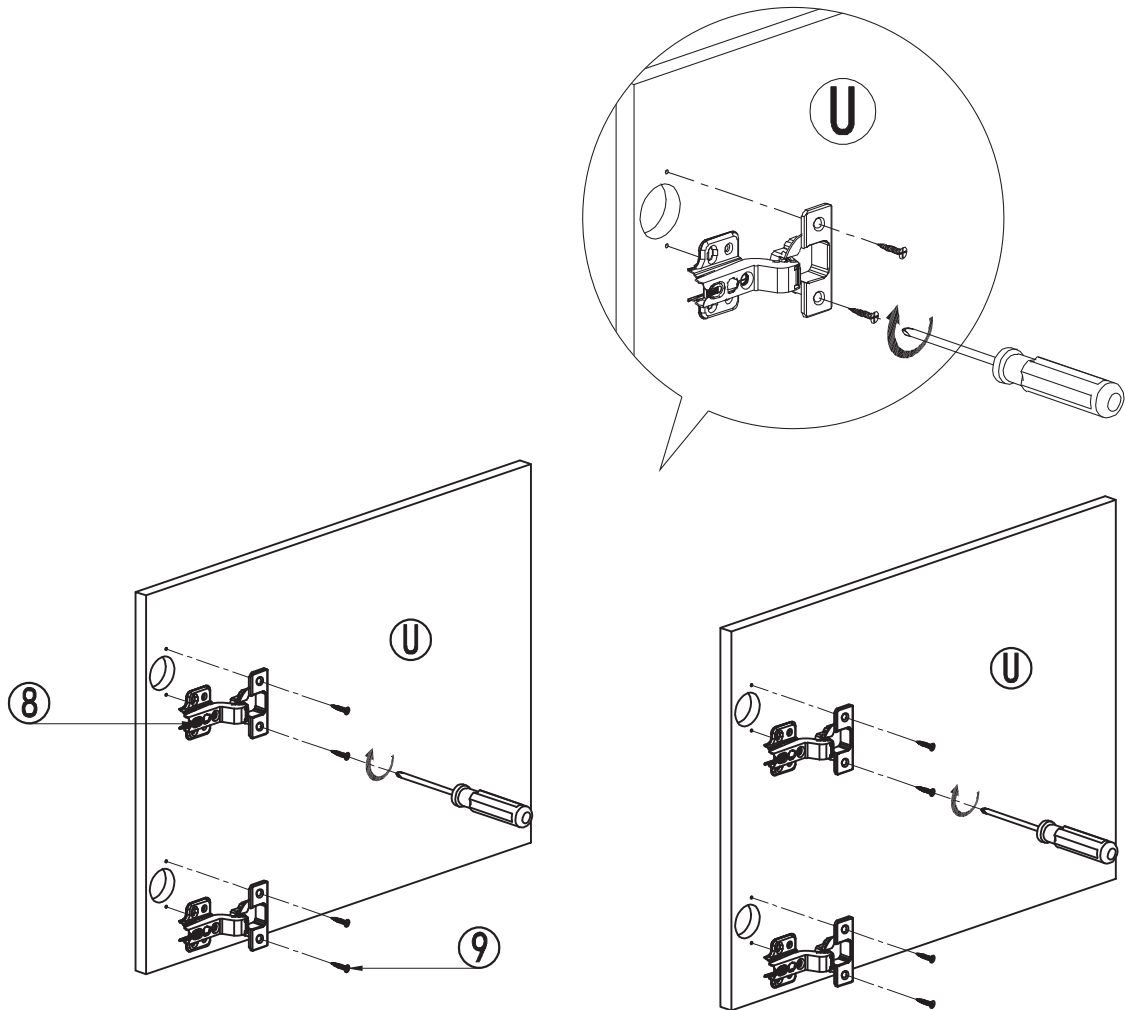
13





*8

33

STEP 26



8  *4

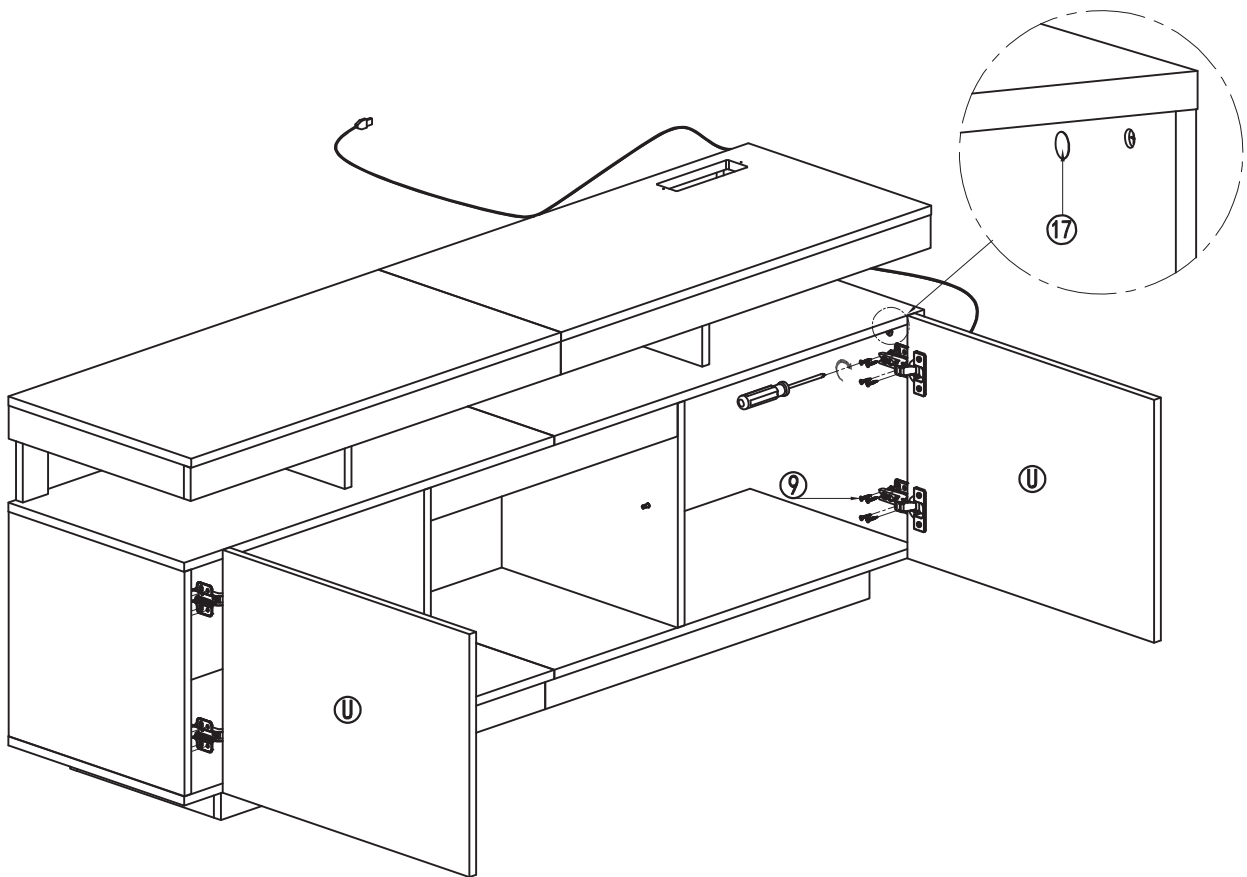
9  *8

34

STEP 27



NOTE: DO NOT OVERTIGHTEN SCREWS.

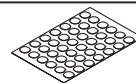


9



*16

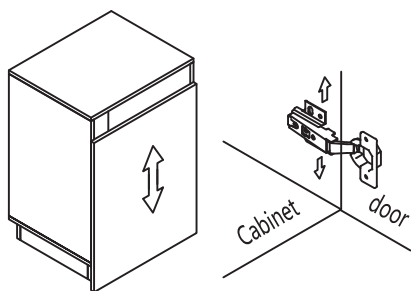
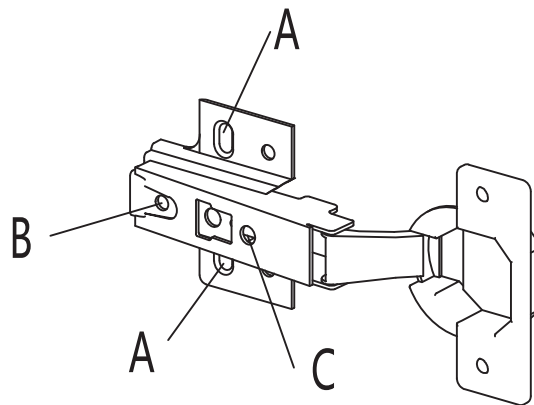
17



*1

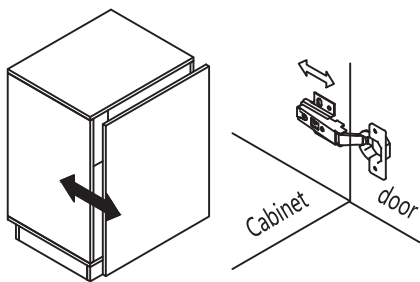
STEP 28

IMPORTANT—The furniture **MUST** be level on a flat, solid floor surface for the doors to work properly. Align the doors as shown for proper operation.



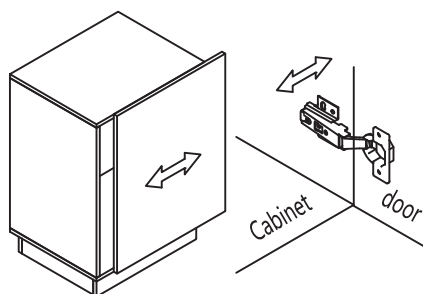
To adjust the vertical height.

Loosen the four screws "A" on both hinges. Two of them are usually in slotted holes which allows you to adjust up or down by a few mm. Then tighten back up.



To adjust depth.

Loosen screw "B" and adjust door, if the door can not be adjusted, please loosen screw "C", then try again. Tighten screw "B" and "C".

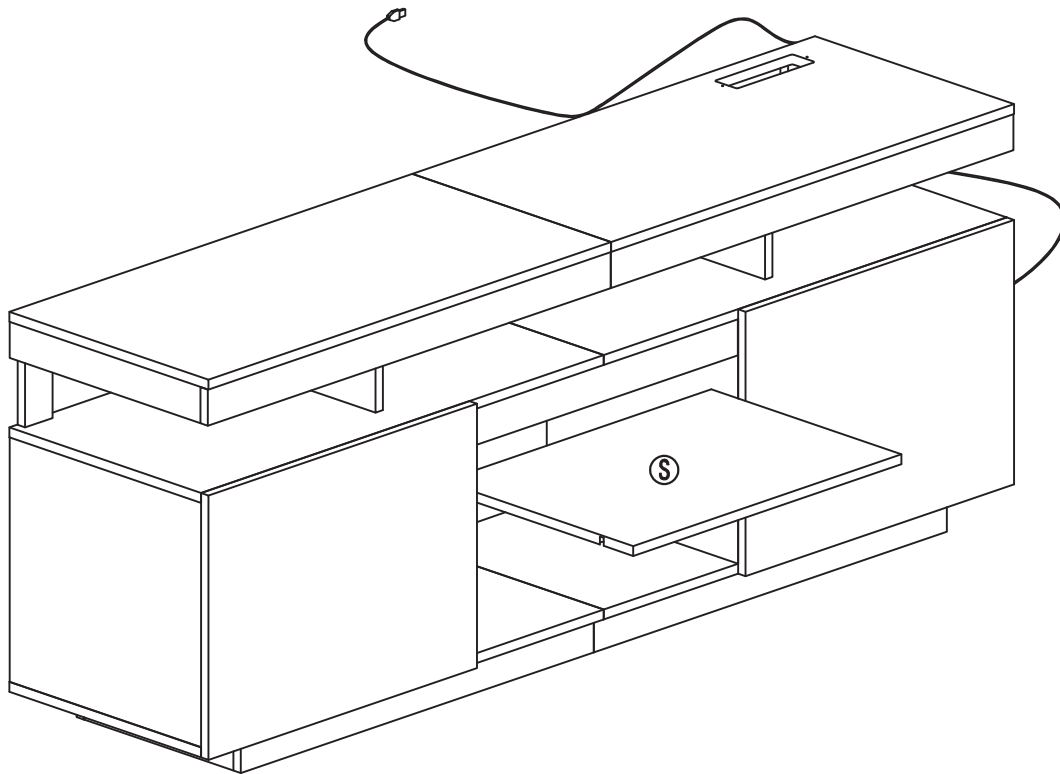


To adjust side ways.

Turning the screw "C" on BOTH hinges on each door.

36

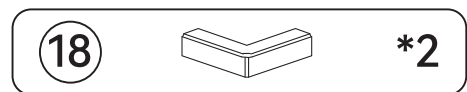
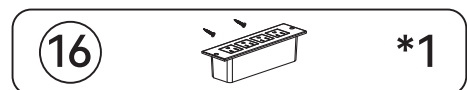
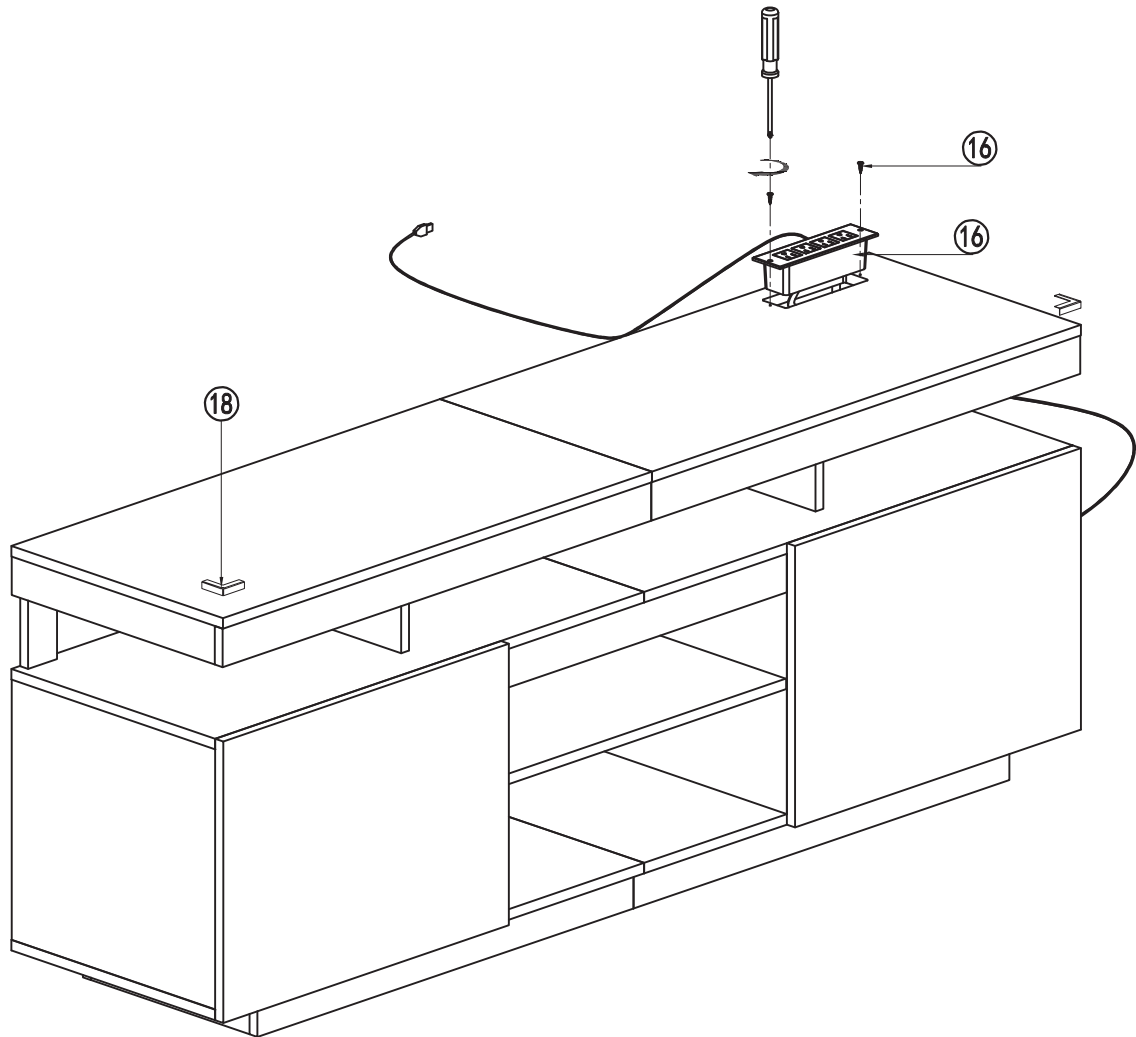
STEP 29



After the assembly is complete,
please follow the prompts to tear
off the protective film.

37

STEP 30



FURNITURE TIPPING RESTRAINT

You can be installed according to individual needs.

WARNING:

This product is only a deterrent. It is not a substitute for proper adult supervision. Manufacturer assumes no liability for improper installation or excessive loads placed on screws, brackets, or straps. Young children may be injured by tipping furniture and the use of a tipping restraint is required. Never climb or step on shelves.

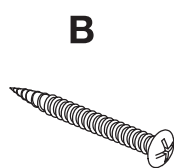
When properly installed, this restraint will provide protection against tipping of furniture. This tipping restraint must be secured to a wall-stud or wall structure of similar strength.

Note: For safe mounting it is essential to use the proper hardware for your wall type. The included hardware is for drywall or wood stud mounting only. For other wall types (e.g., metal studs, plaster, concrete, and brick) please consult your local hardware store for fastener advice.

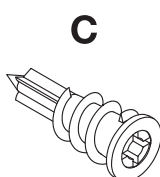
Hardware included:



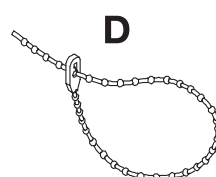
X4



X2



X2



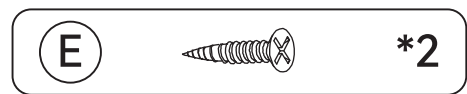
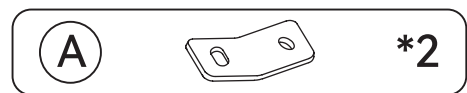
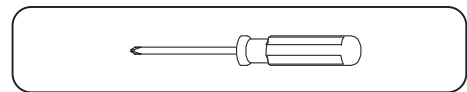
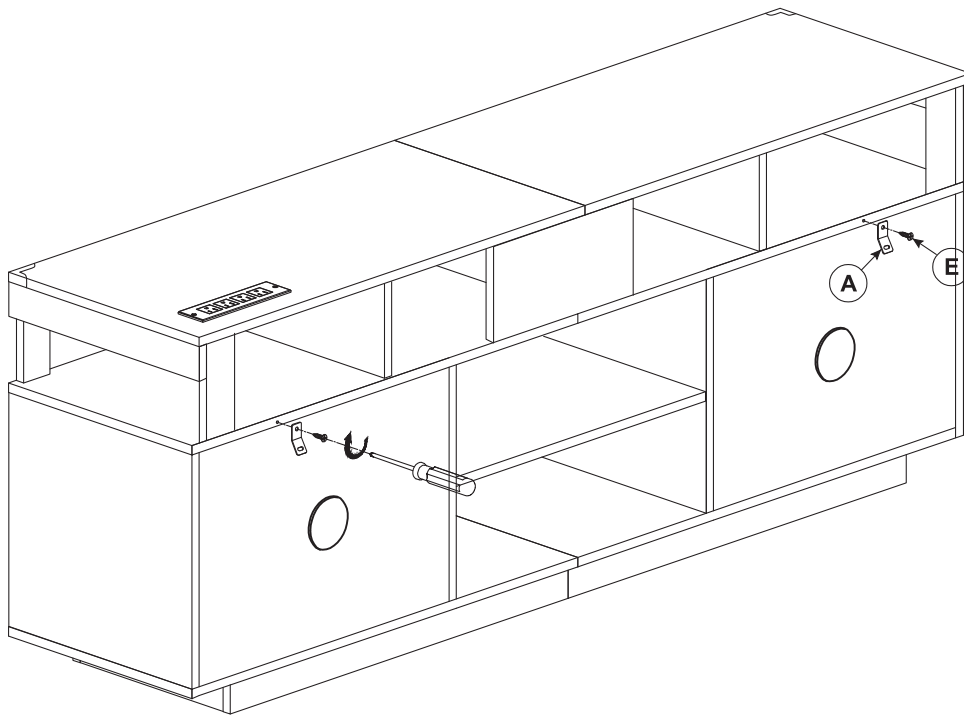
X2



X2

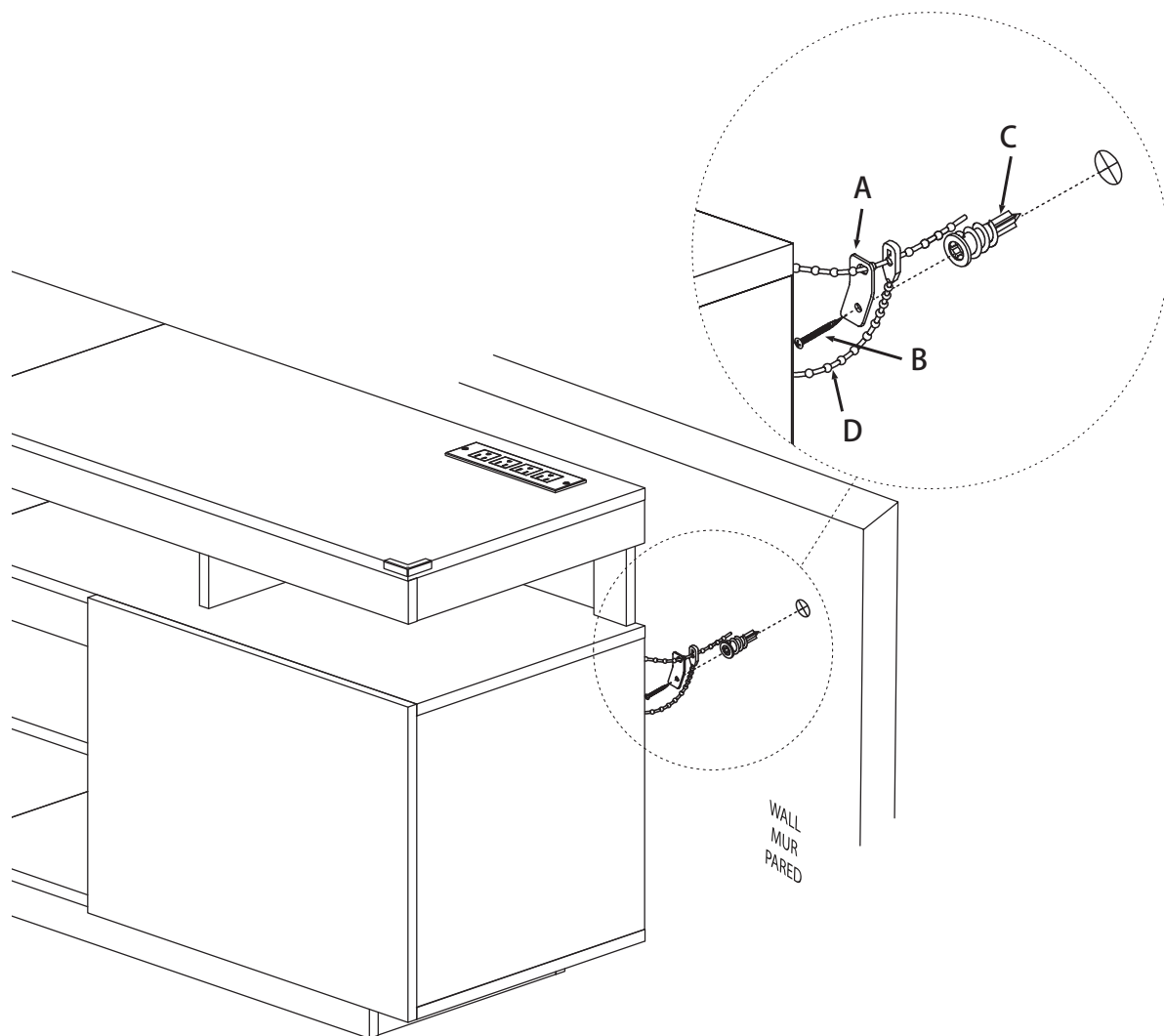
39

STEP 31



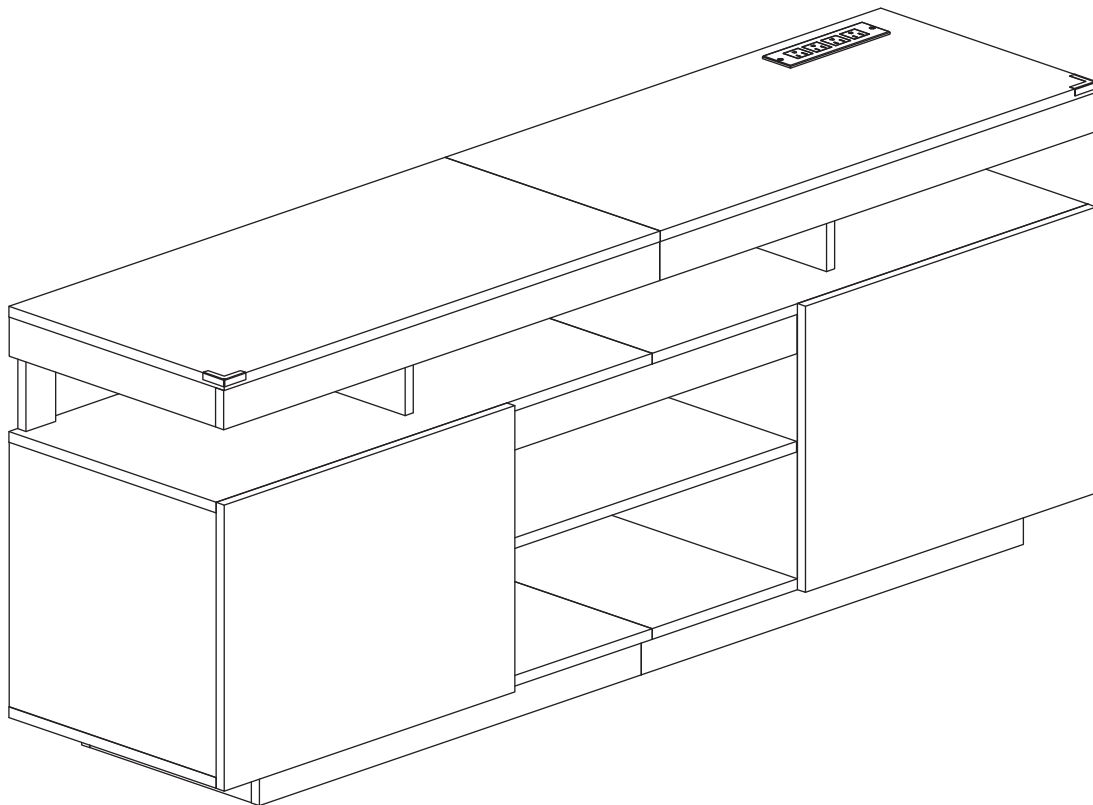
STEP 32

1. Hold Bracket (A) up to the wall and mark hole locations using a pencil.
2. Drill pilot holes 1-1/4" deep. Use only Screws (B) if going directly into wood studs. If going into drywall (no stud), use Wall Anchors (C) with Large Screws (B).
3. Install Bracket (A) and make sure securely fastened.
4. Install zip tie (D) and wrap around furniture and tighten.



CARE INSTRUCTIONS:

- Wipe clean with a soft, dry cloth or static duster.
- Always avoid the use of harsh chemicals or abrasive cleaners as they may cause damage to the table's finish.
- Hardware may loosen over time. Periodically check to make sure all connections are tight. Re-tighten if necessary.



LED STRIP LIGHT User Manual


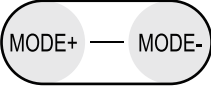
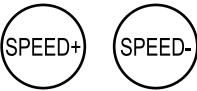







Product Parameters

- Model NO: LED Strip Lights
- LED Type: SMD5050
- Luminous Color: RGB
- Input Voltage of Adapter: AC110-240V
- Output Voltage of Adapter: DC5V
- Waterproof level: IP65
- Remote control range: 32FT~50FT
- Working Temperature: -20°C~+45°C
- Beam Angle: 120°



Remote control mode

	<p>In any state press these two keys to turn on/off the light strip.</p>
	<p>When light is on, press these two keys to reduce-or increase+brightness there are 10 brightness levels for adjustment.</p>
	<p>Press relevant keys to select particular colors</p>
	<p>Press this key to switch static colors There are 16 kinds for chosen.</p>

	<p>Press this key to activate auto color changing model in which color would change automatically and circularly.</p>
	<p>When color changing is activated, press this key to switch color changing modes.</p>
	<p>When color changing is activated, press this key to increase+or reduce-the changing speed There are 10 levels for chosen.</p>
	<p>When the light is on, press this button and the color will gradually change with the rhythm of the music. There are 1/2 default modes to choose from.</p>
	<p>When the light is on, press this button and the colour will change to the rhythm of the music. There are 5/6 modes to choose from.</p>
	<p>Press this button to lock current color or color changing model.</p>
	<p>Press this button, it will enter the 1-hour timer, and the product will be automatically turned off after 1 hour.</p>
	<p>Press this button, it will enter the 2-hour timer. and the product will be automatically turned off after 2 hour.</p>
	<p>Press this button, it will enter the 3-hour timer. and the product will be automatically turned off after 3 hour.</p>
	<p>Press this button, it will enter the 4-hour timer. and the product will be automatically turned off after 4 hour.</p>

APP mode

This APP program requires that the minimum systems of your phones is Android 4.3 or iOS 8.0. No limit for mobile phone configuration.

You can download APP by scanning QR codes on iOS or Android systems
Use Apps with scanning function such as browser to scan the QR code

Kindly launch the strip lights control application on your mobile device that enables you to connect one or multiple LED strips via Bluetooth and allows you to set and control various LED strips simultaneously. Functions are listed as follows:

1. Adjust the brightness and color temperature of 60 kinds of colors for both colorful LED strip and monochrome LED strip;
2. Playing any music on your phone or in the Apps with music function would make the colors and brightness of the light change automatically according with the music rhythm, which is absolutely beautiful.
3. The multiple color change modes makes the color change automatically and would keep changing even the phone is disconnected with the strips lights.
4. Long distance control without direction restriction and multiple controls is allowed
5. Once been connected, your phone would connect to the light strips automatically after you turn on your bluetooth.



- Click to go to Group Management
- Click to select device
- Click to select the most recently connected device



- Click to show the lamp list
- Switch the colorwheel
- Click to display settings view
- Switch light
- Adjust the color
- Click square icon to adjust the color
- Frequent used color (can be change)
- Classic colors
- Click to shift the interface



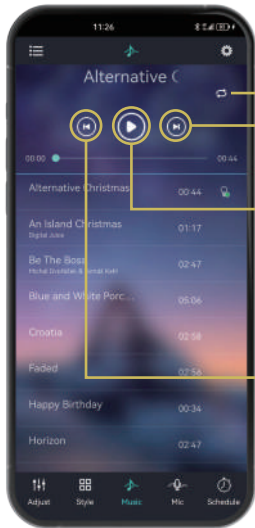
- Show the modified color
- Adjust the RGB values separately
- RGB value
- Save the new values



Scroll the selection mode

Adjust speed

Adjust brightness

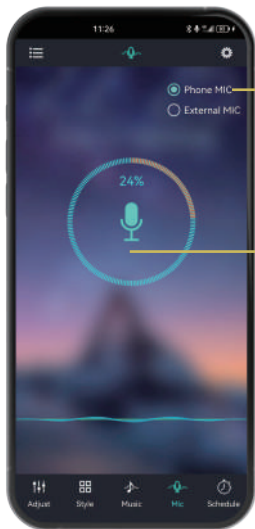


Recycle mode

Next song

Pause/Play

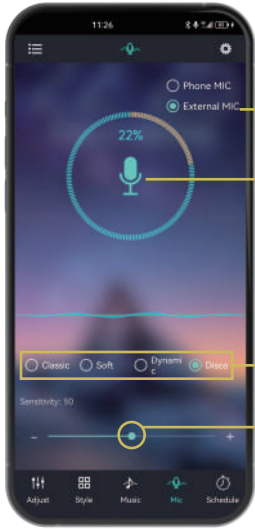
Previous song



Capture the sound by the microphone of the phone

Pause/resume rhythmic function

Color change according to the surrounding voices change

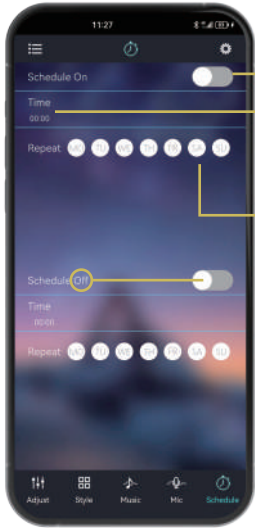


Switch to external MIC on PCB board for realcatching of music and sound

Enable/disable rhythm function

4-style rhythm

Change the sensitivity of MIC to match the sourn



Enable or disable the Light-On function

Set the time of Light-On

Repeat setting No selection for once Light- On/Light-Off



Click to save the new assignment

Change the real color- of this line

Troubleshooting

Fault conditions	Possible causes	Exclusion method
The product shakes	<ol style="list-style-type: none">1. Screw installation error2. The screw is damaged3. Check that the screws are not tightened in place	<ol style="list-style-type: none">1. Install the correct screws in the correct position according to the instructions2. Replace and use the supplied spare screws3. Tighten the loose screws
The light strip does not work	<ol style="list-style-type: none">1. The small gasket of the remote control is not pulled out2. The adapter fails to receive the signal due to the obstruction or distance	<ol style="list-style-type: none">1. Pull out the small gasket of the remote control2. Align the remote control with the receiving port (within 15 meters)

WARRANTY & SUPPORT

Thanks for purchasing our product. For any advice about the product or wanna know other products