

Foshan Gorgeous Sanitary Ware Co.,Ltd

Factory Address:No.88 Jinqun Industrial and Development Park,Sanshui Zone,Foshan City, Guangdong Province,China 528100

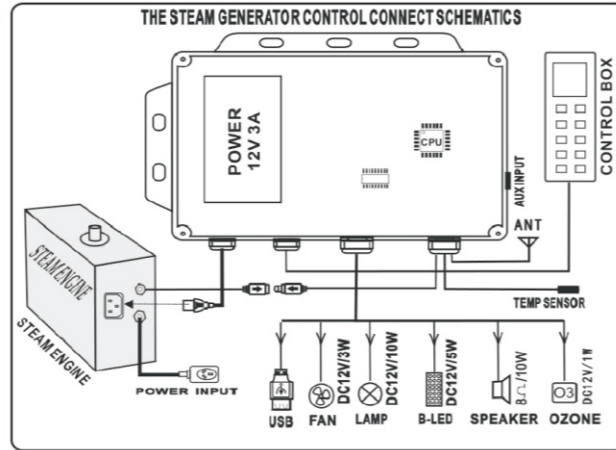
Email address:sales@airsto.com

DZ903F15 Installation Instruction

Important safe information

1. Please read this instruction and assemble the steam shower according to it.
2. The leakage protection switch must be installed. Besides, please try it to check whether it is safe enough before formal using.
3. The ground line of the product must be connected to the earth permanently.
4. To avoid being shocked by the electricity, please prepare enough plugs and fixed them near to the steam shower. Please change those old or disrepair wires in time.
5. It is strictly forbidden to use the steam shower after drink or eat some hypnotic medicine.
6. Children should be guided by parents while using.
7. Especially note: The using water temperature should not pass 60 centigrade or 140 Fahrenheit.
8. Do not use any strong chemical liquid such as Vitriol, Hydrochloric acid, Lye and so on to clean the steam shower.
9. There is a connecting screw in the Wire Connecting Box, to avoid being shocked by the electricity, please be sure to connect this screw to the ground wire which is fixed on the power board. It is better to use the same size insulated wire to connect them, and the connecting wire diameter should not less than 1.5 square millimeter cooper-core wire.
10. Warning: To avoid being shocked by the electricity, please be sure to connect the DFCI/RCD to the ground plug.
11. If the steam shower with 3KW/4.5KW/6KW steam generator, the diameters of wires which are used not less than 2.5square millimeter/ 4square millimeter/ 6square millimeter.
12. It is not allowed to use any moisture enhancing machine in the steam shower.

Installation wiring diagram



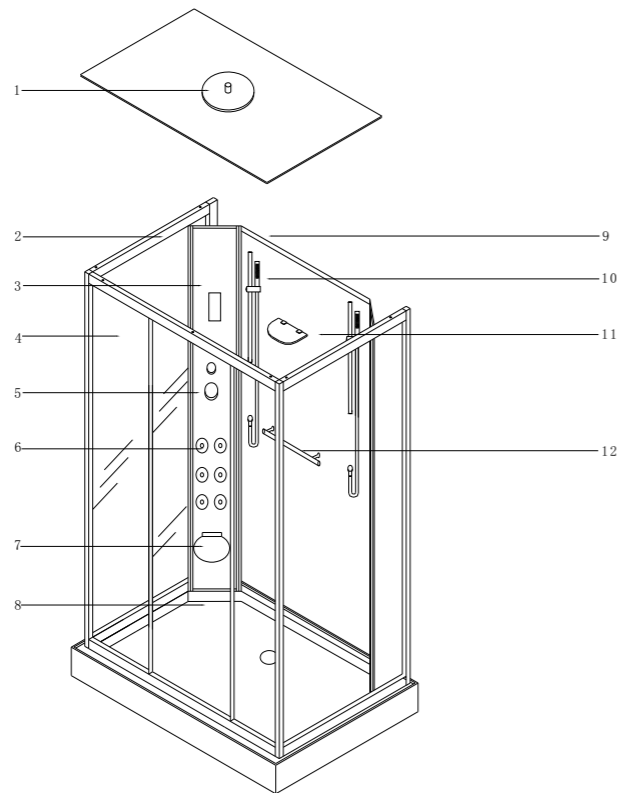
Electrical parts specification

Configuration Parameter	massage pump	steam generator	ceiling light	exhausting fan	Solenoid valves	CPU	Speaker	Note
Rating voltage		AC220-240V/50HZ	DC12V	DC12V	DC12V	AC220-240V/ 50HZ		
Rating voltage		AC240V/60HZ	DC12V	DC12V	DC12V	AC240V/60HZ		
Rating power		3000W	10W	3W	5W		10W	
Rating power		4500W	10W	3W	5W		10W	
Rating power		6000W	10W	3W	5W		10W	

CONTENTS

- 01-02 Component Directions
- 03 Technical Drawing
- 04-11 Installation steps
- 12-14 Control panel keys and funtion directions
- 15 Steam shower room trouble shooting

Parts instruction



Parts instruction

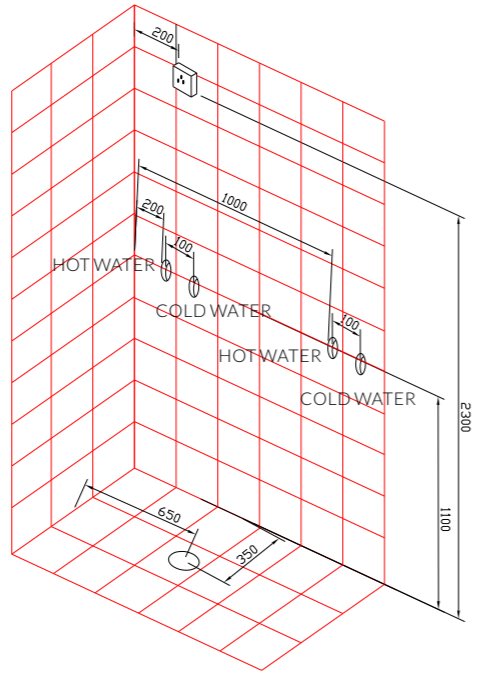
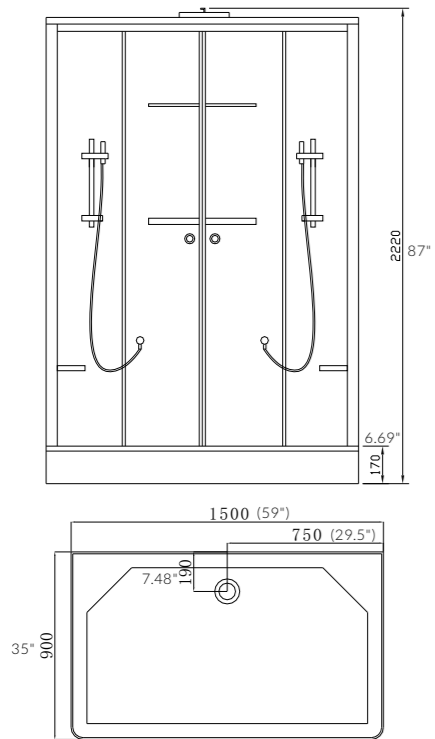
1.Ceiling Cover	2.Side Glass Panel	3.Electrical Board	4.Front Fixed Door
5.diversion faucet	6.Quadrate Jet	7.Folding Stool	8.Acrylic Shower Tray
9.Back Panel	10.Hand Shower	11.Glass Shelf	12.Tower Bar

Parts package

4x10 self-tapping screw	304stainless steel Z block	M6X35 screw	4x25 self-tapping screw
			
4x30 self-tapping screw	4x20 screw	6mm nuts	
			

Technical drawing for water and electricity

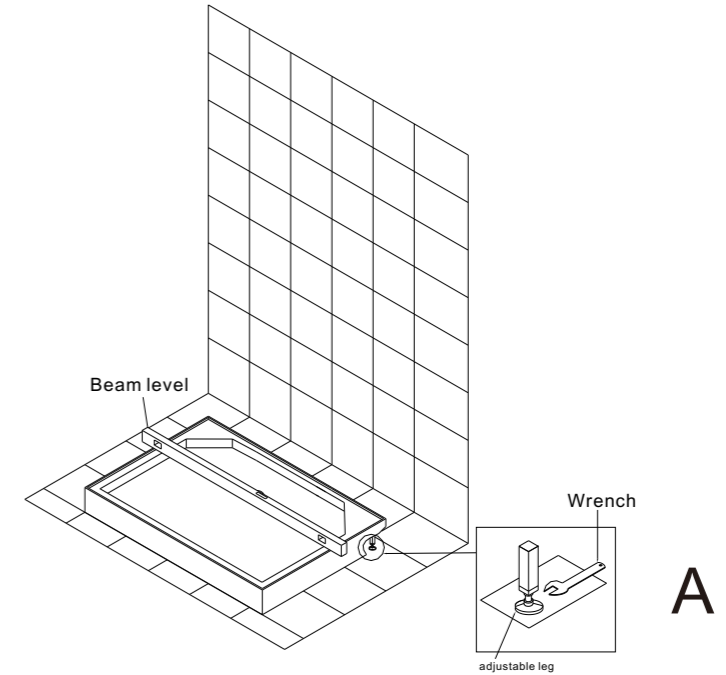
DZ903F15 size:59" x 35" x 87" (1500 x 900 x 2220 mm)



Installation instruction 1

Install the shower tray:

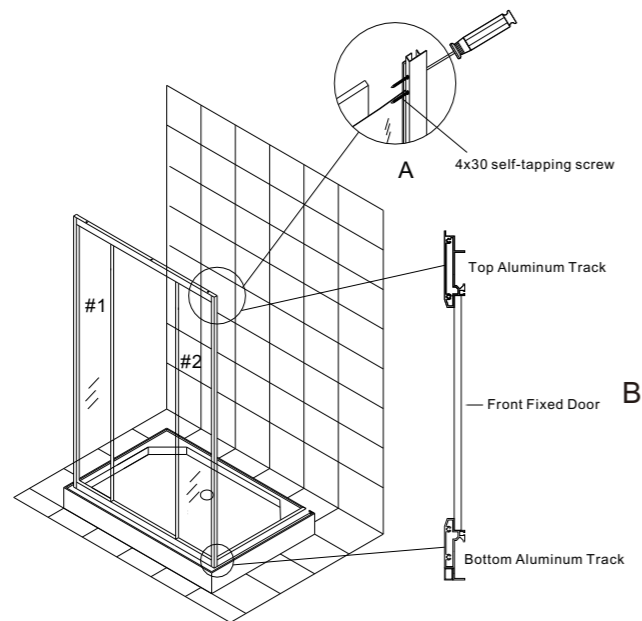
1. Please lay the shower tray on the suitable installation place, and adjust the bottom legs till the shower tray meets horizontal condition.
Method: Put a Beam Level on the shower tray, and check if the shower tray is horizontal enough. If not, please adjust the height of bottom legs. Please refer to illustration A.
2. The waste drainer and pipe have been assembled well, please check whether they become loose or not. If not loose, please insert the bottom waste pipe into the bathroom waste pipe and fix it well is okay.



Installation instruction 2

Install the Bottom Aluminum profiles, front fixed doors and the Top Aluminum Track

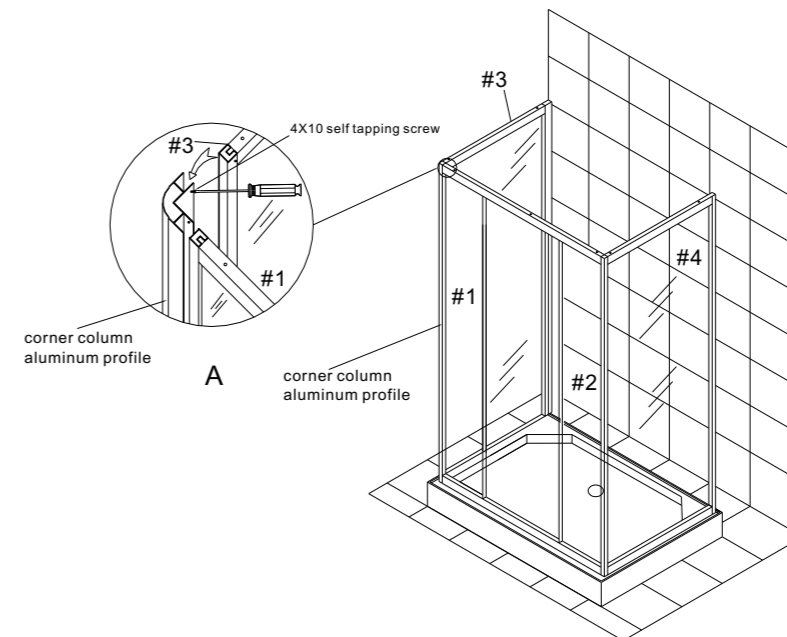
1. Please take out all aluminum profiles, and pick up bottom aluminum profiles first, and then put them on the shower tray. Note: Please refer to illustration B to separate the Top Aluminum Track from the Bottom Aluminum Track.
2. Take out the No. 1 front fixed door and put it on the front Bottom Aluminum Track gently. Please be sure to make one person to stand beside and hold it on. The other person take out the No. 2 front fixed door and put it on the front Bottom Aluminum Track. Please still make one person to hold on this two fixed doors.
3. The other person cover the Top Aluminum Track on the fixed doors. Then use Electrical Screwdriver or Phillip Screwdriver to fix front fixed doors with the Top Aluminum Track together with 4x30mm self-tapping screws. Please refer to illustration A. The same way to fix front fixed doors to the Bottom Aluminum Track.



Installation instruction 3

Install corner column aluminum profiles, the left side panel and the right side panel

1. Please take out the corner column aluminum profiles, the left side panel and the right side panel. Notice: The aluminum profile end with drilled holes is the top part, the end with slop corner is front bottom part.
2. One person cover the left side corner column aluminum profile to the No. 1 front fixed door edge and hold them on, and the other person fix them with 4x10mm self-tapping screws. The same way to install the right side corner aluminum profile to the No. 2 front fixed door. Please refer to illustration A.
3. One person take out the No. 3 left side glass panel, and insert its edge to the left corner column aluminum profile and hold them on, then the other person fix them together with 4x10mm self-tapping screws. Please refer to illustration A. The same way to install No. 4 right side glass panel to the right corner column aluminum profile.

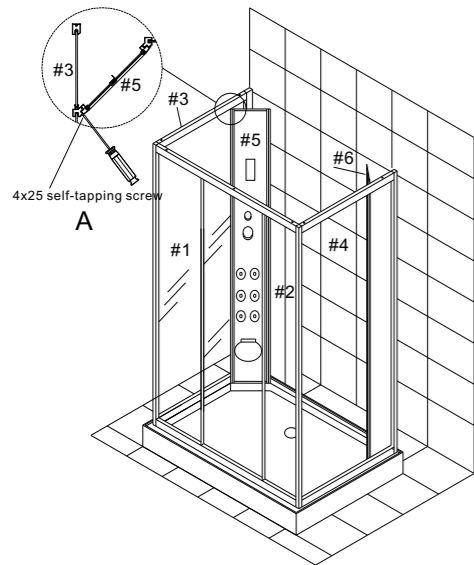


Installation instruction 4

Install the No.5 left corner Electrical Board and the No.6 right corner Faucet Board

1. Take out the No.5 left corner Electrical Board, then put it gently beside of the No.3 left side glass panel and make one person to hold them on, the other person fix them together with 4x25mm self-tapping screws. Please refer to illustration A.

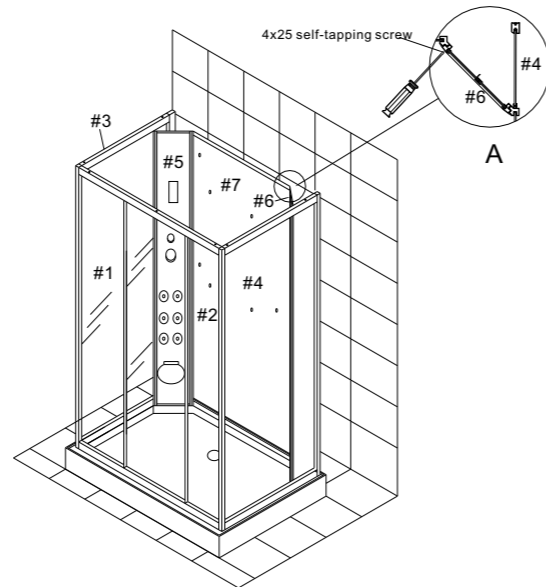
2. Take the No.6 right corner Faucet Board and put it beside of the No.4 side glass panel gently, and make one person to hold them on. The other person fix them together with 4x25mm self-tapping screws. Please refer to illustration A.



Installation instruction 5

Install the No.7 large back panel

Please take out the No.7 large back panel and put it on the shower tray gently, one person hold it on and the other person fix it to the No.5 left corner Electrical Board and the No.6 right corner Faucet Board with 4x25mm self-tapping screws. Please refer to illustration A



Installation instruction 6

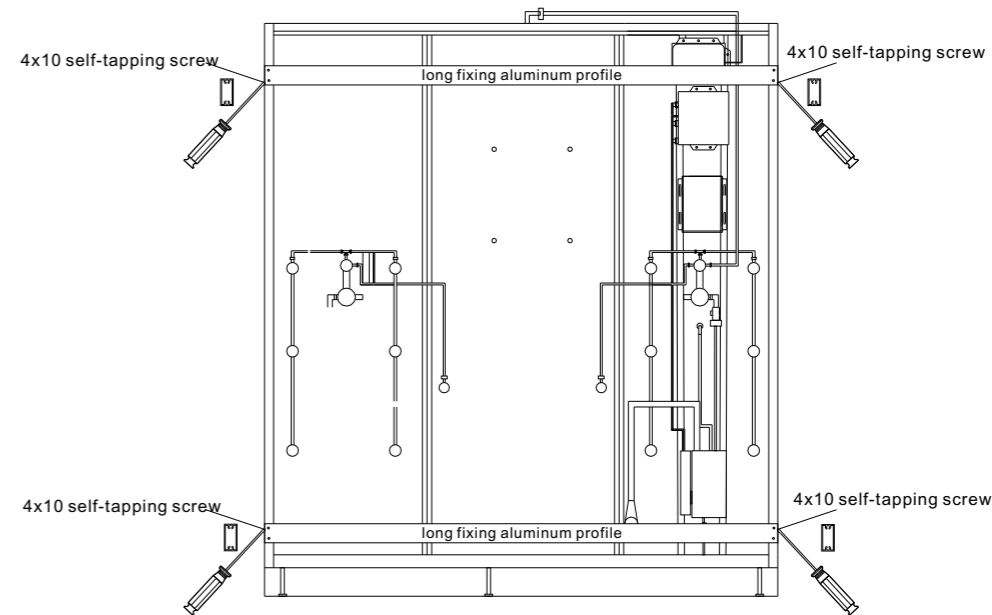
Install the back long fixing aluminum profiles

1. There are 2 pieces long fixing aluminum profiles, one is for top and one is for bottom. Please take them out.

Notice: On the left side glass panel and the right side glass panel, there are drilled well holes.

2. Please lift one aluminum profile to the No.7 large panel backside top part, one person hold it on and the other person use a Electrical Screwdriver or Phillip Screwdriver to fix the long fixing aluminum profile to the left side glass panel and the right side glass panel with 4x10mm self-tapping screws.

3. The same way to fix the bottom back long fixing aluminum profile.

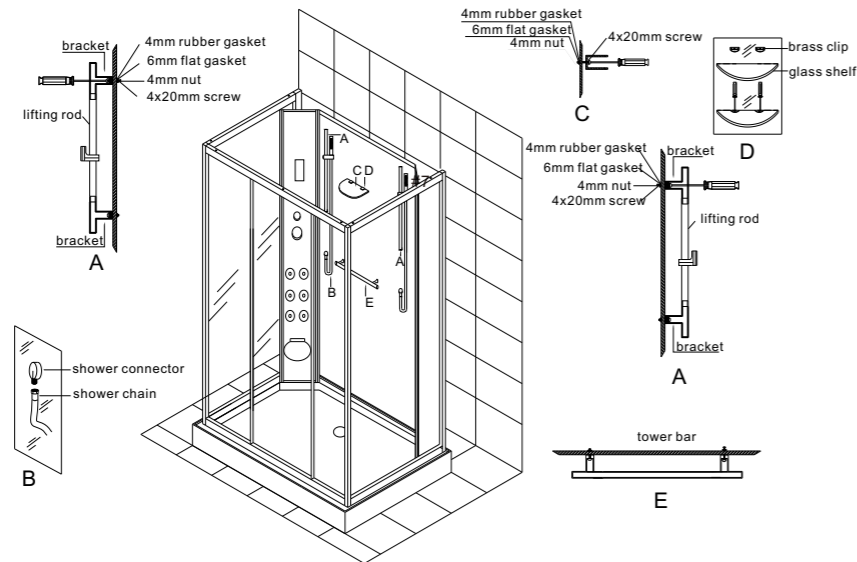


Rear View of Steam shower

Installation instruction 7

Install lifting rods, the glass shelf, the hand shower and the towel rod

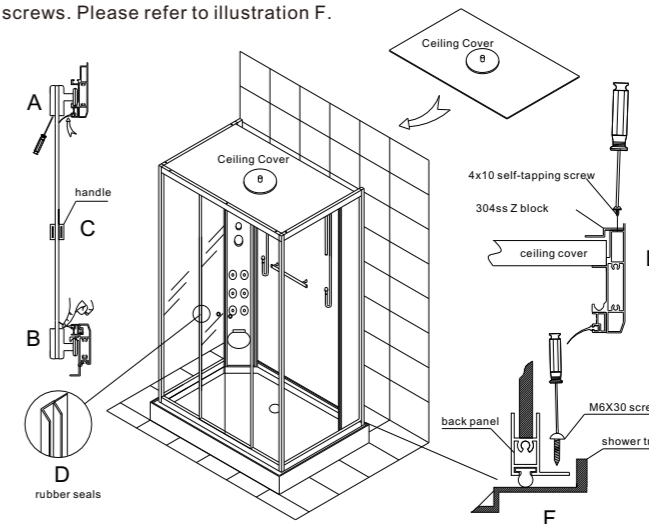
1. Please take out the 2 sets lifting rods with spare parts. Install the lifting rod top and bottom brackets to the No.7 back panel and then cover the lifting rod top and bottom part to the fixed well brackets. Notice: Please note that one person stand inside of the steam shower to hold on the brackets, and the other person stand behind of the steam shower to fix the rubber gasket, the flat gasket and the screw nut. Please refer to illustration A
2. Please take out the glass shelf with spare parts. Please install the glass shelf left and right brass clips to the No.7 back panel. Please refer to illustration C. Then insert the glass shelf to the fixed well clips, and fasten the screws well is okay. Please refer to illustration D.
3. Please take out the hand shower with spare parts. Please install the hand shower connector to the No.7 back panel, and joint the shower chain to the fixed well shower connector. Please refer to illustration B. Then hung the hand shower to the lifting rod is okay.
4. Please take out the towel bar with spare parts. One person stand inside of the steam shower, and the other person stand behind of the steam shower to fix the towel bar to the No.7 back panel. Please refer to illustration E.



Installation instruction 8

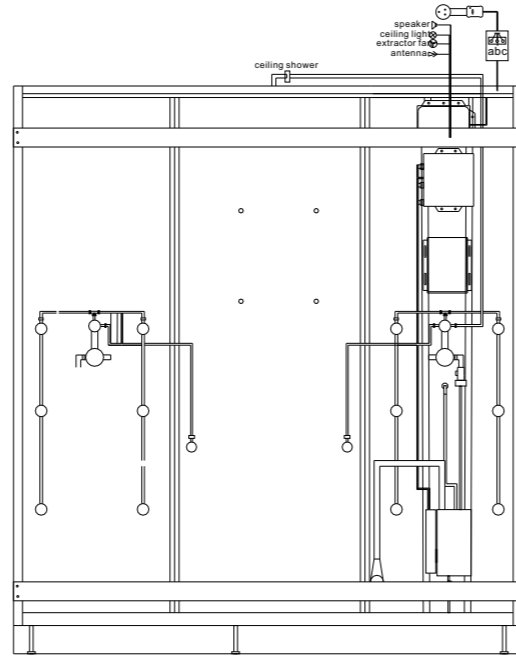
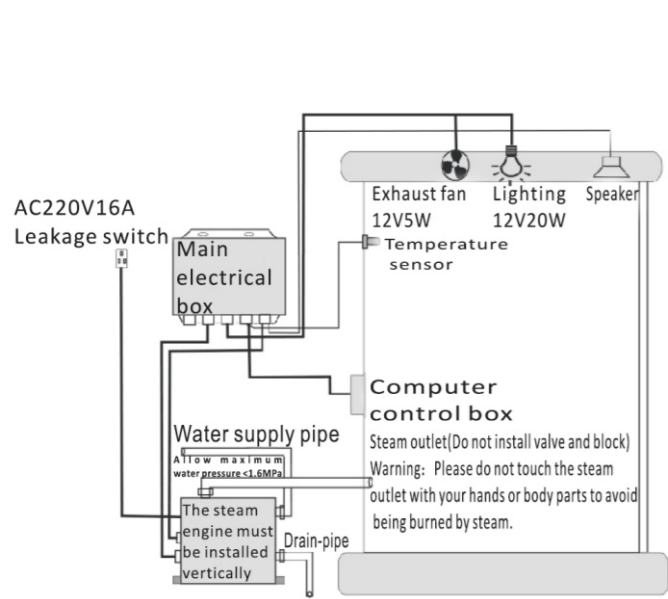
Install moving doors, rubber seals, door handles, and ceiling cover

1. Please take out the moving door glass panels, please take out the door rollers. Install door rollers to moving glass doors. Each moving door with 2sets top rollers and 2sets bottom rollers. Notice: Please note the rollers with spring knobs are bottom rollers, and the rollers without spring knobs are top rollers.
2. One person carry the left moving door and hung its top rollers to the top aluminum track. Please refer illustration A. Then the other person press the bottom rollers spring knobs and make the bottom rollers hook in the bottom aluminum track. Please refer illustration B. The same way to install the right moving door.
3. Take out the door handles and install them to the moving doors, please refer to illustration C.
4. Please take out rubber seals and magnetic seals, and assemble them to moving doors. Please refer to illustration D. Notice: After assemble the moving doors with spare parts well, please close them and check whether the moving doors close well, whether sliding smooth and so on. If not, please use a Phillip Screwdriver to adjust moving doors top rollers. Adjust top rollers until make moving doors work well is okay.
5. Please take out the ceiling cover, and put it on the top of the steam shower gently. Then fix the ceiling cover to the top aluminum profiles with 4x10mm self-tapping screws and 304ss Z blocks. Please refer to illustration E.
6. Please fix back panels to the shower tray with 6x30mm screws. Please refer to illustration F.

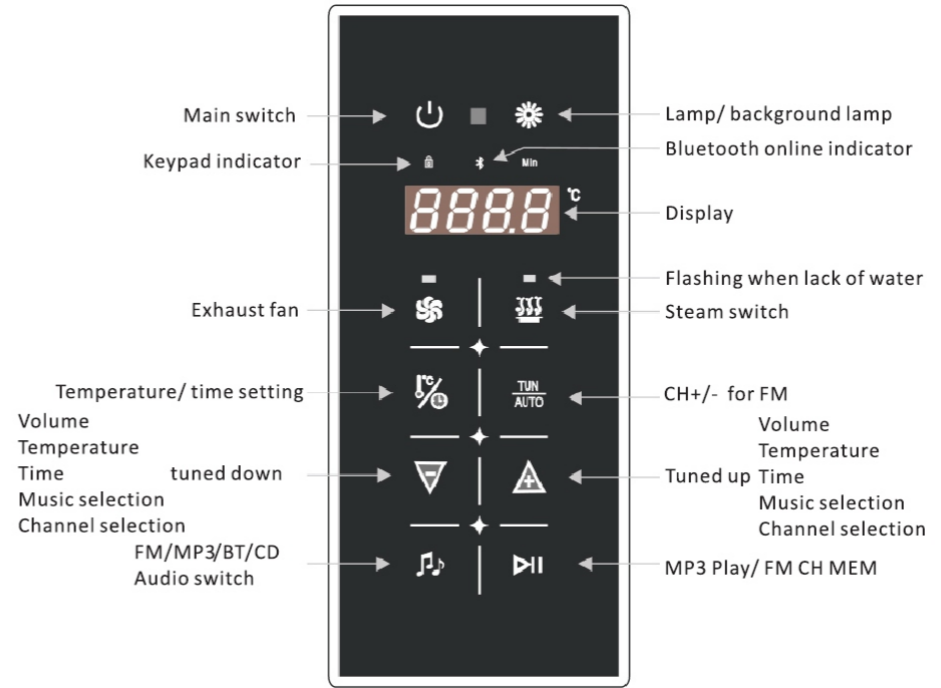


Installation instruction 9

1. Please connect the top ventilator wire, the speaker wire, the top light wire to relative plugs.
 2. Please connect the ceiling shower pipe, the steam pipe, the steam waste pipe, the hot water inlet pipe and the cold water inlet pipe well and fix well. Then please check all wires and pipes again that connect well.
 3. Use a clean towel to clean the shower tray and the whole steam shower. Then test the steam shower all functions work well.
- Have any questions, please don't hesitate to contact with your local supplier get professional helps!



F15 Control panel key and operation instruction



F15 Control panel key and operation instruction

1. Sauna

(1) Press **■** to switch on the steam room. Press again to switch off. The steam room will shut down in 60min automatically.

(2) The temperature and time setting: press **■** set the temperature, MIN--set the time. Press "+" or "-" to set the temperature or time up or down.

Time:
(You can set it up for 1-60 minutes at will the default setting is 60 minutes when it is turned on.)



Temperature:
Temperature displaying : (10-60 degree)
Temperature setting: (20-60 degrees are set at random and the built-in setting temperature is 50 degrees)



(3) Fan function: press **■** key to turn on/off the fan function.

(4) Lamp/background lamp:

A, the lamp will light up when turn it on and go out when turn it off.



(5) steam function:

Press the **■** steam function key, and the luminescent tube light on there will be steam 1min later. The system runs at the temperature and timing you set (If no set, it will run at 50 degrees and 60min which is built by the system) The system enters the thermostatic state when it reaches the setting temperature. When the time is set steam function closes and steam signs go out . When it reaches the setting time, the steam function closes and steam signs go out.

(6) Intelligent alarm function:

The steam indicator flashes and it is accompanied by "beep, beep" sound which indicates that the steam engine is short of water, please check whether the water supply is normal, otherwise the steam function will be turned off in 1min.

2. FM/MP3/BT/CD mode

Press **■** key to turn on the radio, press again to turn on the Mp3 mode, press for the third time to turn the Bluetooth, press for the fourth time to turn on the CD mode.

FM function

(1), Pull the radio antenna to the "Y" shape, press **■** to switch to FM function, and the display will immediately displays the radio frequency with volume up, and the speaker has a slight sound.

FM Status:

FM 87.5-108MHZ

There are 20 memory channels in it.



(2), Turn channels for Fm: Press **■**, press **▲** or **▼** to turn a channel after the display displays "TUN". Short press (i.e., click) is for manual fine tuning. The long press (that is, more than 1second at the time) will automatically move up or down until the station is received. If the reception environment is bad or it is a weak signal station, it is proposed to turn a channel manually.

(3), Save channels:

After you select the radio, press the **■** button, and the display will show "CH01" to store the channel you just selected to location 1. The storage location number will automatically increase when the channel is selected, and the range of storage location is CH 0 1 to CH2 0 .

(4), Taking out a channel for Fm:

You can take out "▲" and "▼" the storage you want directly by pressing the (SET) key. And the display screen shows "CH01 - CH20" correspondingly.

(5), Fully automatic selecting channels:

Long press **■** key for 2 second into the automatic search mode, press **■** key after it displays "TUN", then the system will be automatically searched in the FM band (87.5-108mhz) from the low end to the high-end, and the display screen will display the current search frequency in real time. When the radio was found, the screen showed "01CH", indicating that the system had found the first radio station and the automatic storage it. Then The system will continue to search until 20 channels are full stored or the full frequency band is been searched.

F15 Control panel key and operation instruction

Mp3 function

MP3 function: Press **■** to switch to the MP3 status like the picture on the right



- (1), Play: Insert a USB stick with MP3 tracks and the system will play automatically and show the track time.
- (2), Selecting songs: Short press **▲** or **▼** can forward or backward a song

Bluetooth function

- 1), Bluetooth connection of mobile phone: Press **■** to switch the function to the Bluetooth "BT" position, the display displays "b7", and the blue state indicates light will blink which means searching for Bluetooth devices. It will stop blinking and the Bluetooth symbol is lit after matching successfully. Search for mobile phone Bluetooth device, the first time online must be Bluetooth pairing, and the specific operation is as follows:
Open the Bluetooth Settings for your phone → Search device → Search device → Pairing → Pairing successfully
The speaker will have a music, and the display displays a symbol "b7" then it stop blinking (pairing finish). As shown in the figure



- 2), Play music in the phone on Bluetooth state:
Open the phone music player, and the following music playback operation can be performed on the panel:
Play/ pause: Press **■** can play/ pause.
Selection of music: Short press **▲** or **▼** can forward or backward a song.

External audio function

external audio function:

Press **■** to switch to CD status, as shown in the right

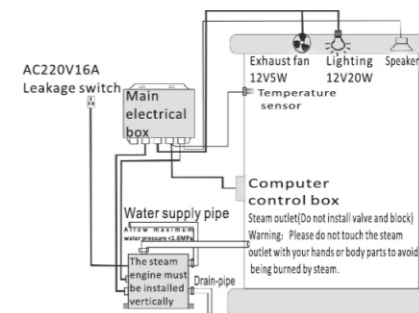


3. Power-off: Press the **■** key can switch off all the functions and the water outlet will be work for 2seconds. In case that it is not used for long time, please pull off the master power switch.

4. Special reminder:

The keyboard will enter the lock status if the keyboard will not be operated in 2 minutes. Press **■** to unlock the state.

Locking keyboard status:



1, To select the appropriate place outside in the sauna room installation steam generator, it can be installed by suspending or standing on the floor, the position of the selected should consider both electrical wiring supply and drainage pipeline connection and maintenance. The cabinets cables and pipes should be firmly fixed.

2, In order to reduce the sediment in the water tank in the process of use, it is preferable to add the water filter to the intake port, especially in the hard water area. When the machine is used for a period of time, it should clean up the water in the tank regularly to prolong the service life of the machine.

Steam shower room trouble shooting

Fault	Reasons	Solutions
Can not turn on the machine	1.Not connect to the power 2.the control wire between controller and electric box has not been connected properly	Connect to the power properly
The lamp does not work	1.electric fuse in the box is break 2.the wire for lamp is loosen 3.the lamp is broken	1.Change different spec fuse 2.Reconnect the wire properly 3.Replace with new lamp
There is no steam	1.there is no water in the steam engine 2.initialization of the steam temperature is lower than normal temperature 3.initialization of the time is zero	1.Check if the providing water switch has been turn on. If not, please turn on the switch, 2.Make the temperature get higher than the normal temperature 3.Reestablish the time
Poor radio result	1.the antenna has been not pulled out 2.the radio frequency has not been adjusted properly 3.the user is in weak signal area	1.Pull out the antenna and place properly 2.Readjust radio frequency properly, you can choose the channel by manual way
No sound from loud speaker	1.the volume is too low 2.the cable of speaker get loose 3.the speaker is broken	1.Increase the volume 2.Reconnect the wire properly 3.Replace the loudspeaker
When you have the sauna bath, the creepage switch is on.	The switch is moisture.	Dry the switch with the air duct
The fan does not work	1.the interface of fan gets loose or make wrong the plus or minus electrode 2.the fan is broken	1.Connect the wire properly 2.Replace one new fan
The steam generator can not enter water or drain off water	1.The steam generator can not conneted to the control cable well 2. Water Inlet Solenoid Valve or Water outlet Solenoid Valve is broken	1.Reconnect the wire well 2.Replace new water inlet solenoid valve

Maintenance service card

Item number	
Serial number	
Customer name	
Phone number	
Address	
Agent shop	
Phone number	
Purchasing date	