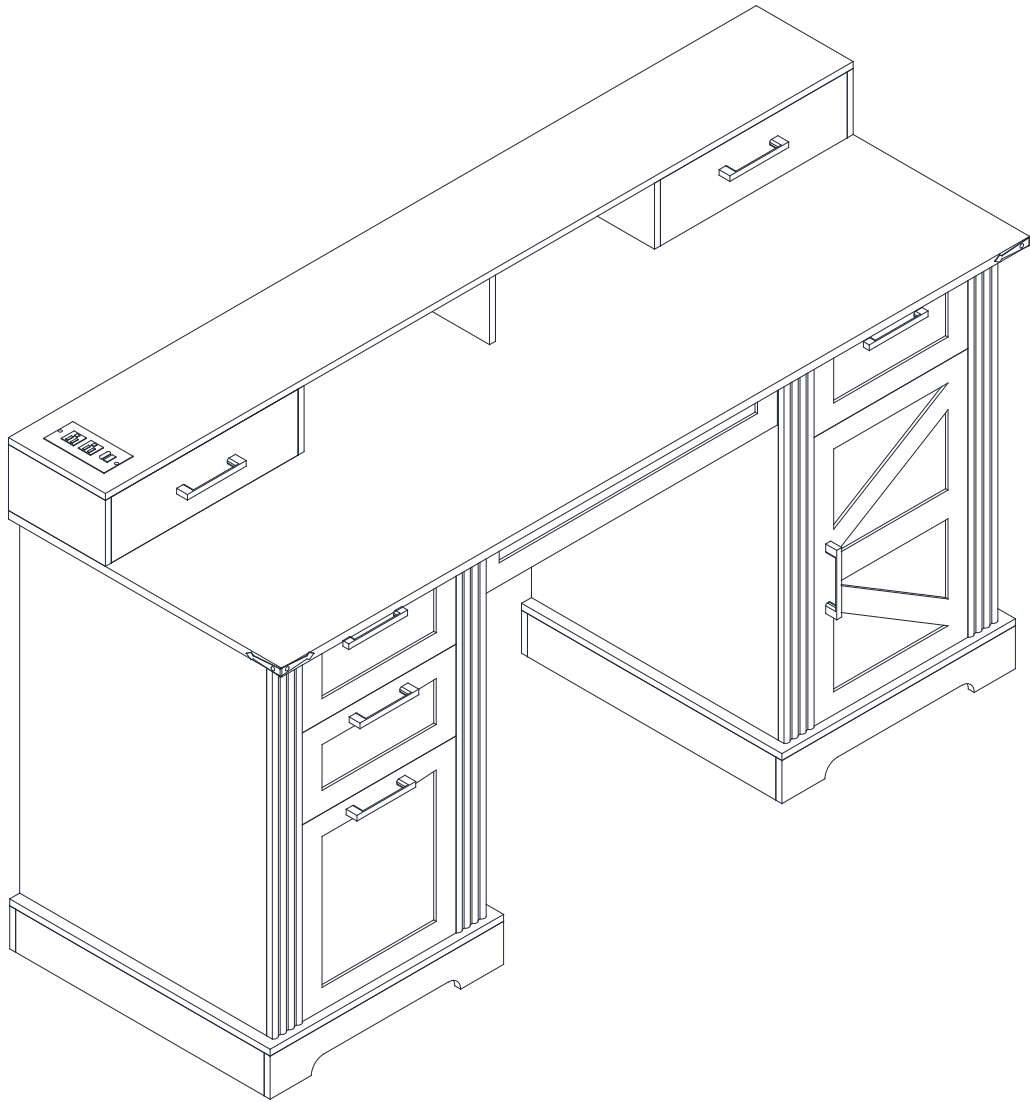
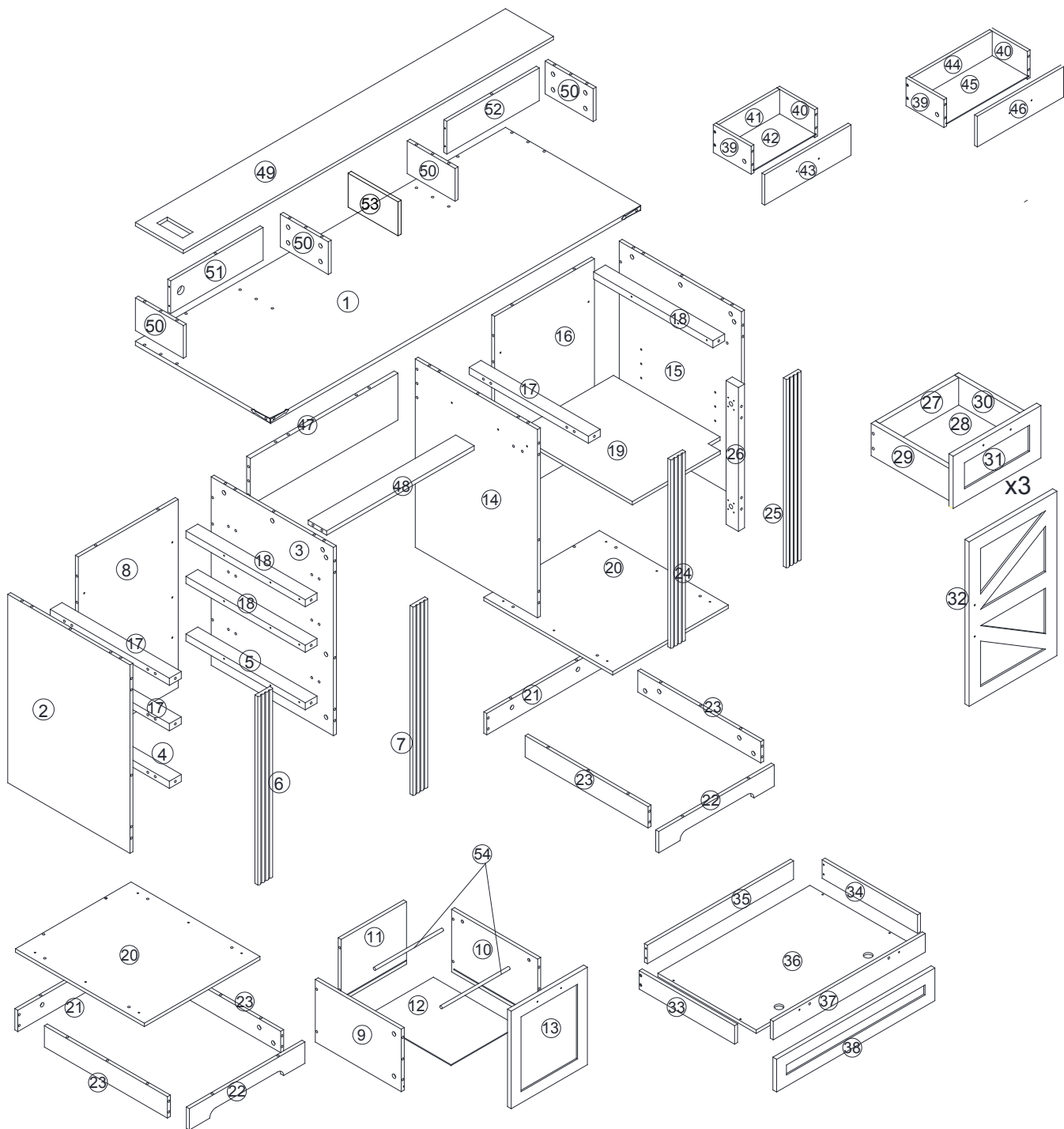


ASSEMBLY INSTRUCTION


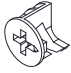
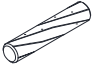



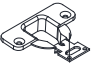

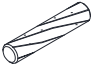
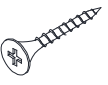
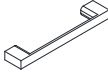
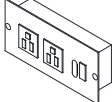


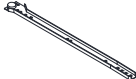
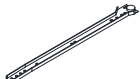
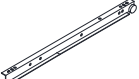
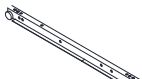


W2917P397372 / W2917P397379

W2917P397377 / W2917P397383

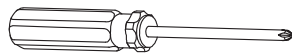





Hardware List

 A x 130+2	 B x 130+2	 6x30 C x 104+2	 3.5x12 D x 60+2	 4x40 E x 52+2	 F x 2	 G x 2
 4x12 H x 22+2	 6x20 I x 2	 4x20 J x 3	 K x 7	 L x 1	 M x 4	 4x14 N x 14+1
 CL x 4	 CR x 4	 DL x 4	 DR x 4	 O x 2	 P x 2	

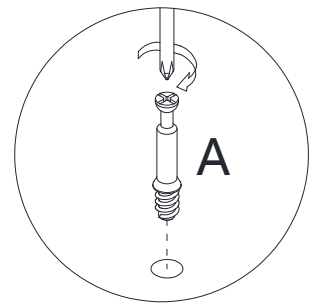
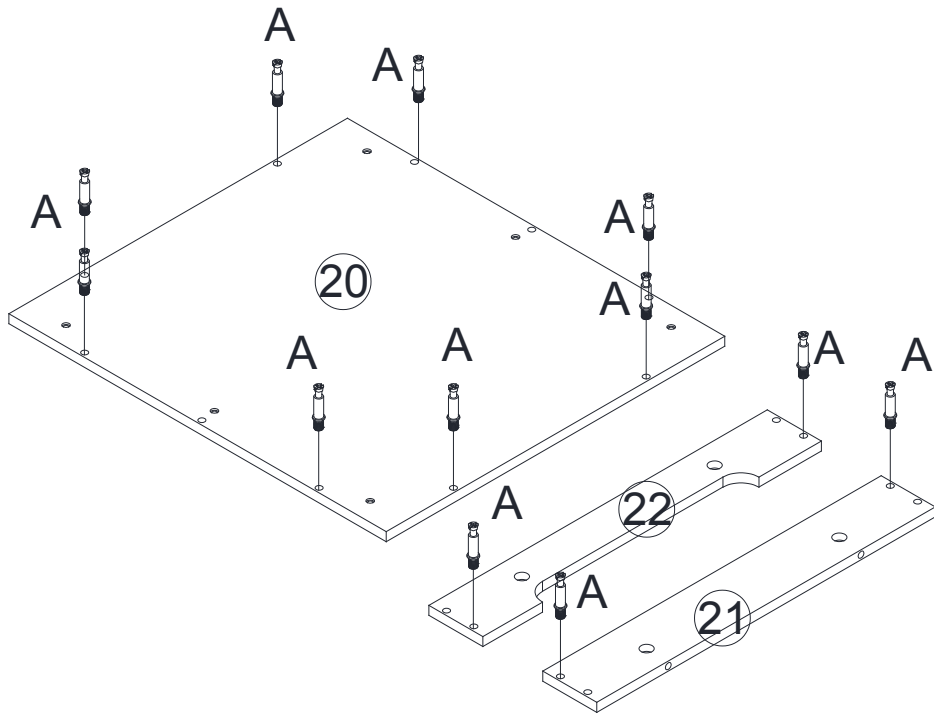
ASSEMBLY TOOLS REQUIRED(NOT INCLUDED)
OUTILS DE MONTAGE NÉCESSAIRES (NON INCLUS)





STEP 1

A		24
---	---	----

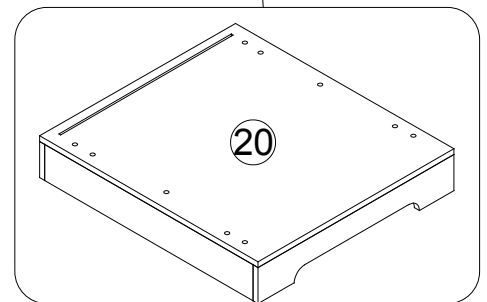
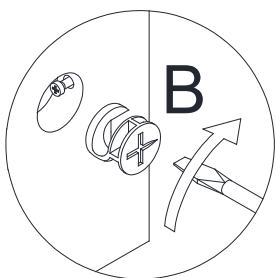
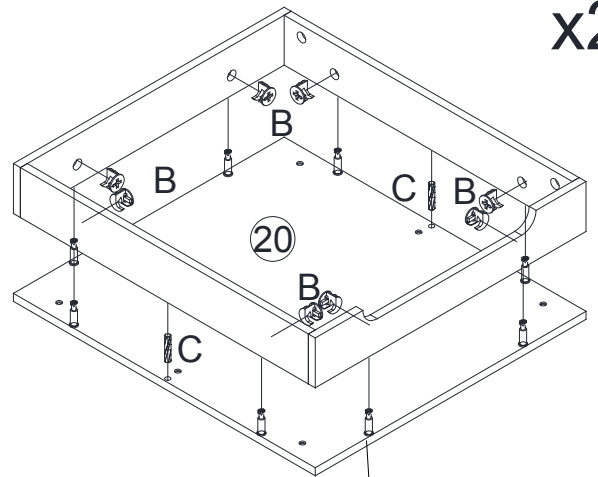
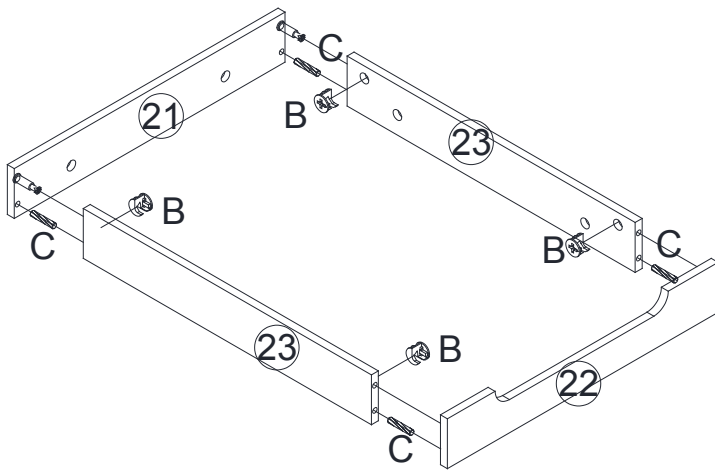
x2



STEP 2

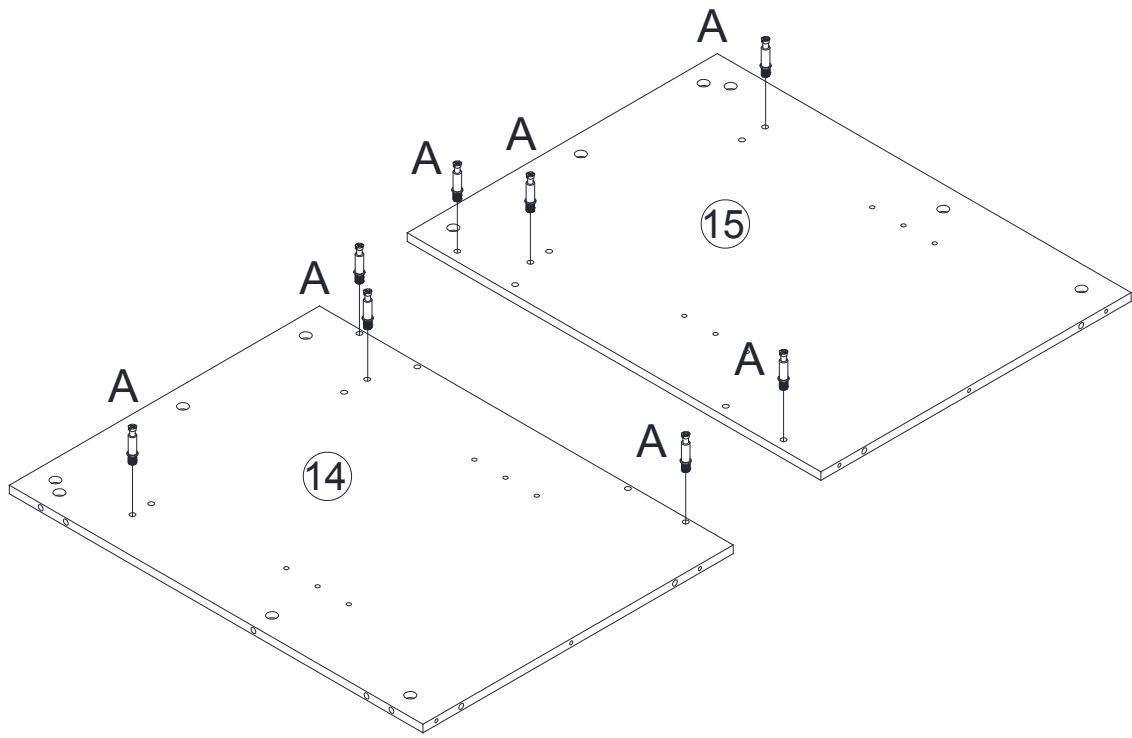
B		24
C		12

x2





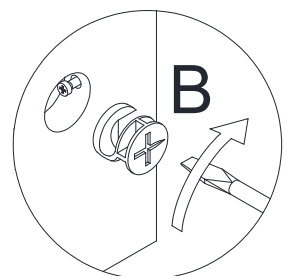
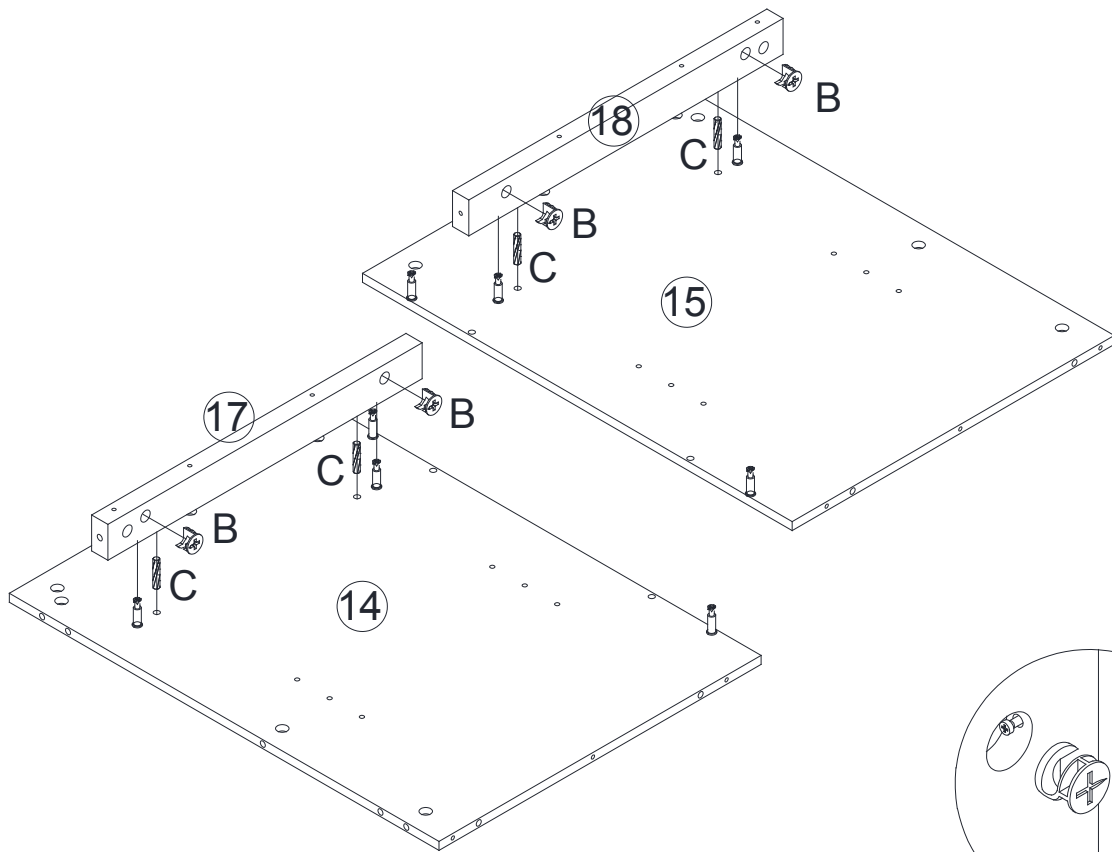
STEP 3

A		8
---	---	---






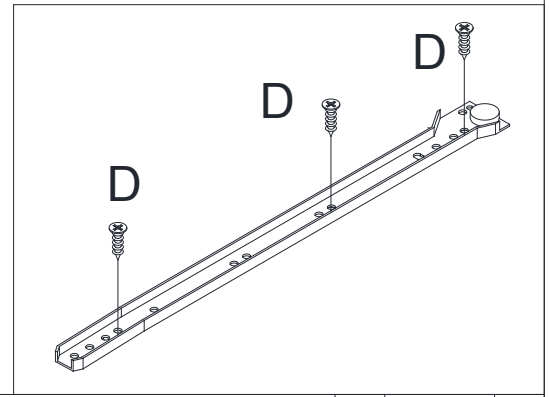
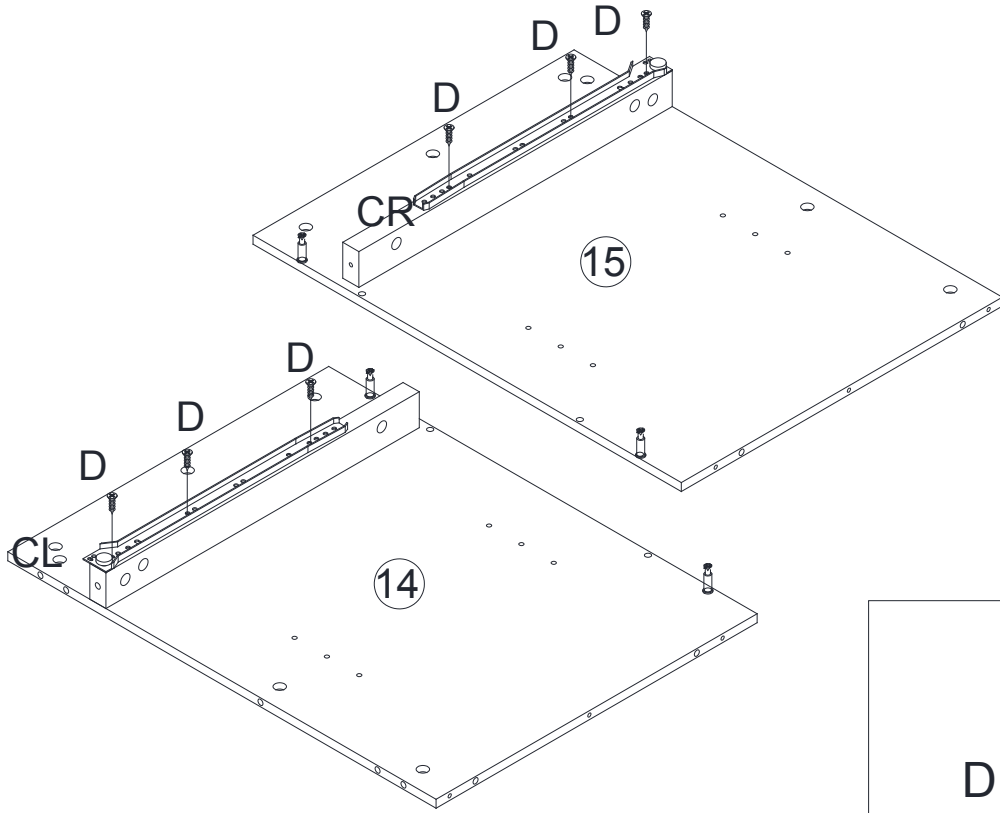
STEP 4

B		4
C		4





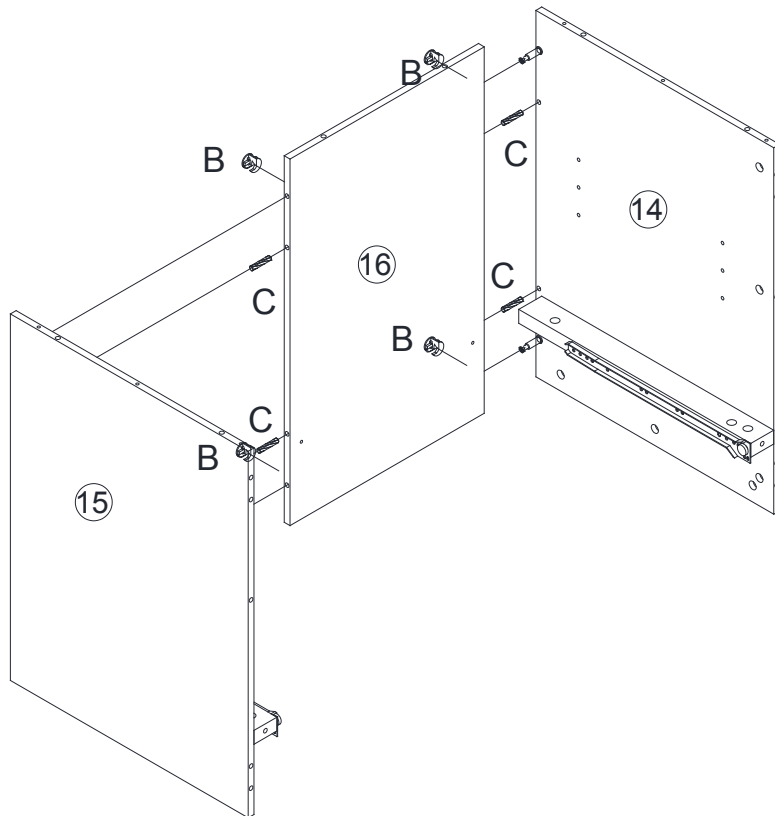
STEP 5

D		6
CL		1
CR		1



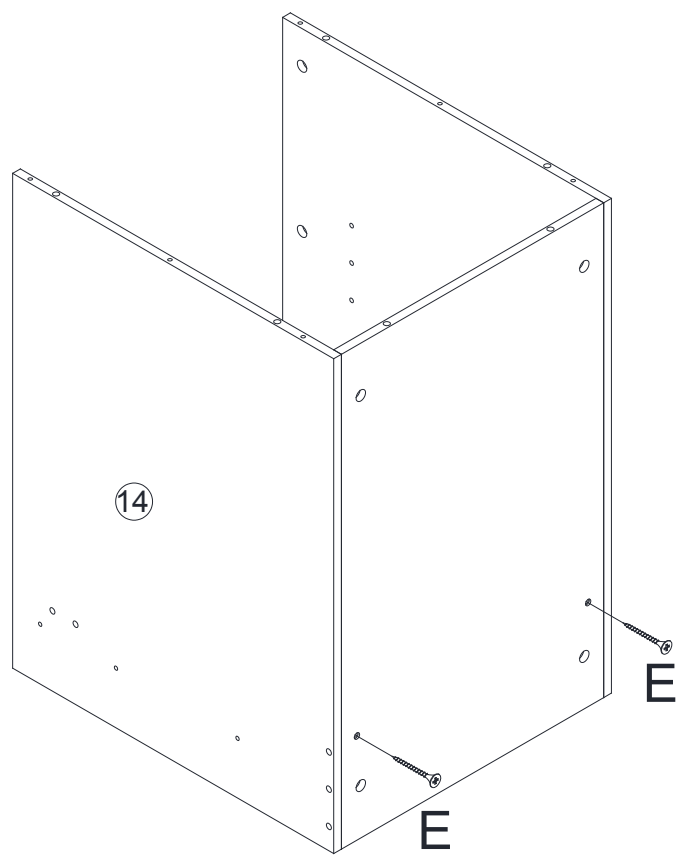
STEP 6

B		4
C		4




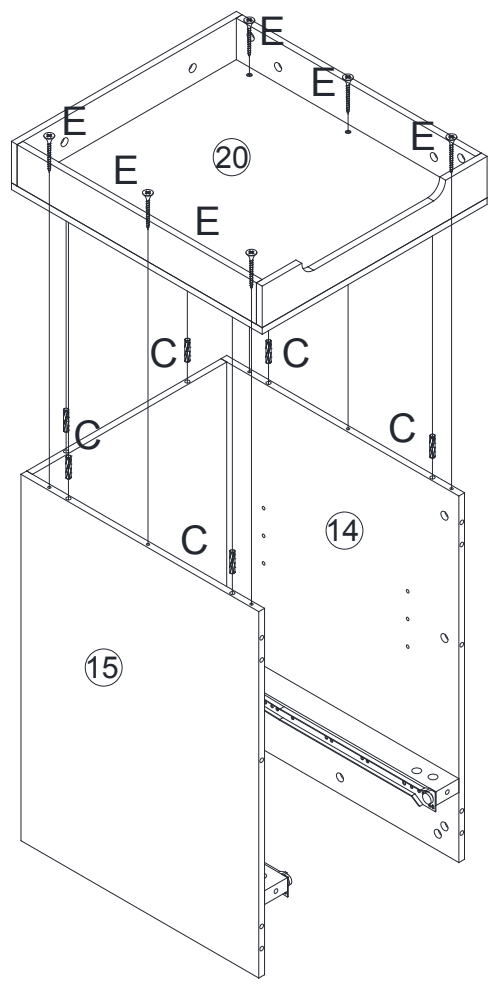
STEP 7

E		2
---	---	---



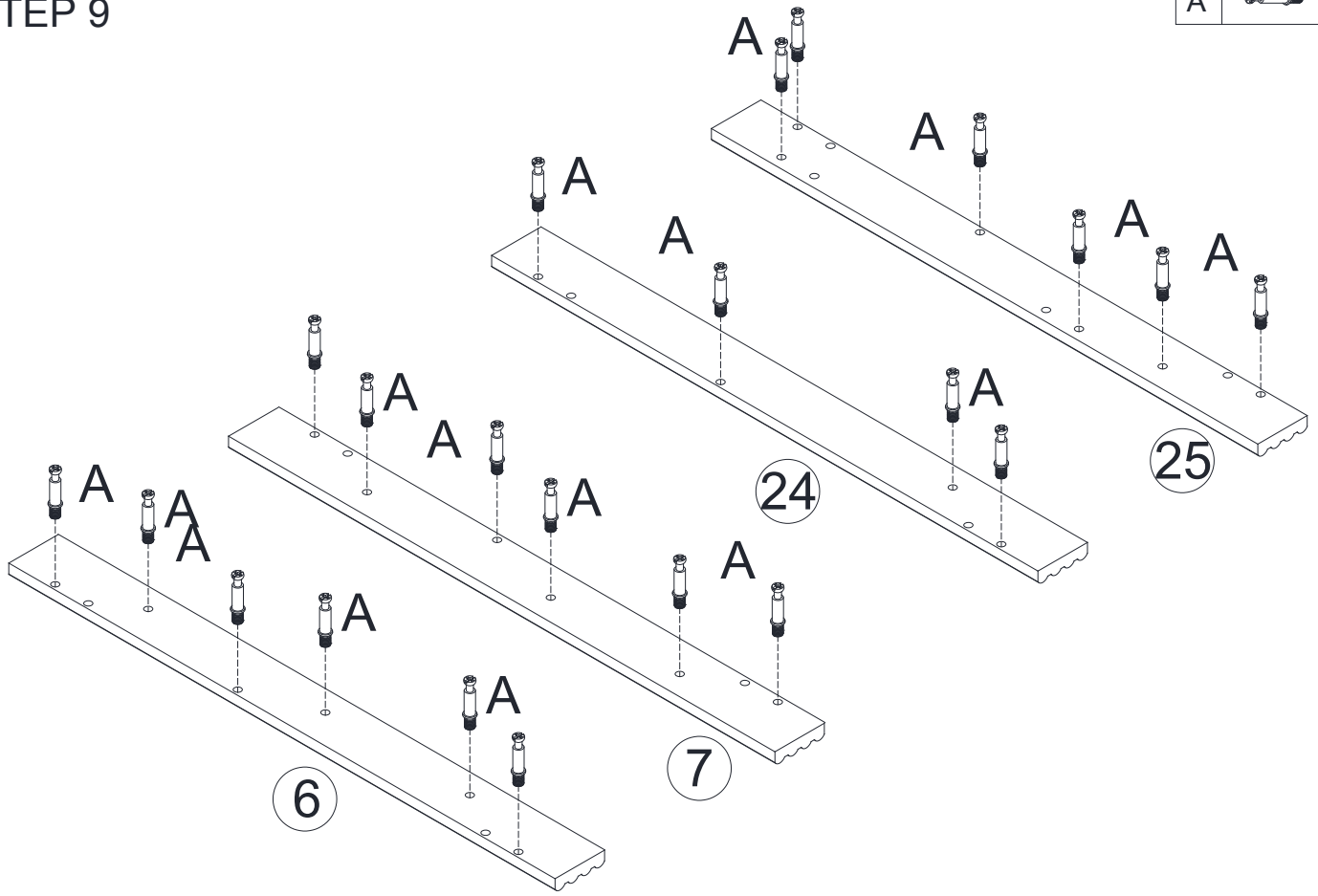
STEP 8

E		6
C		6



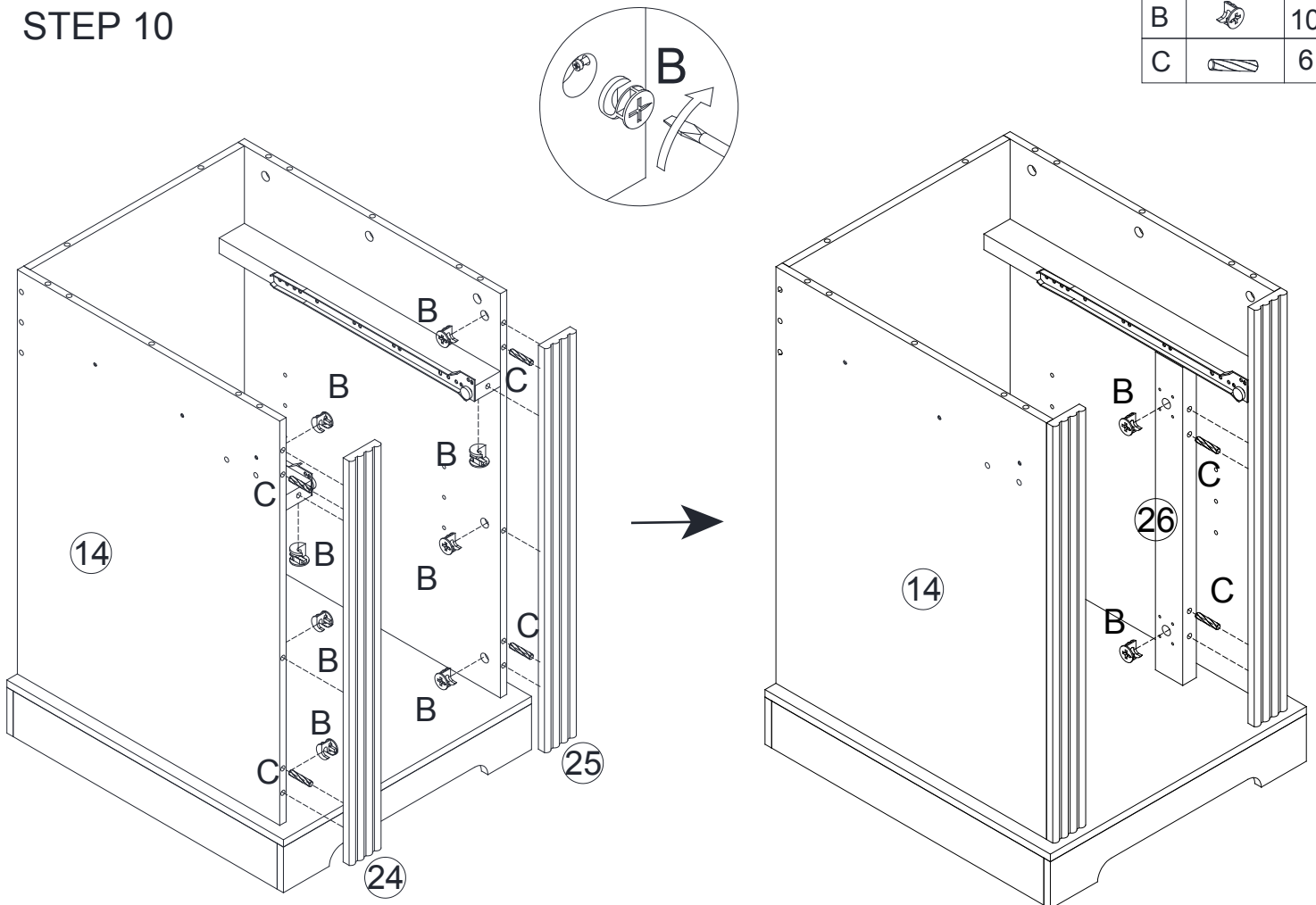
STEP 9

A		22
---	---	----



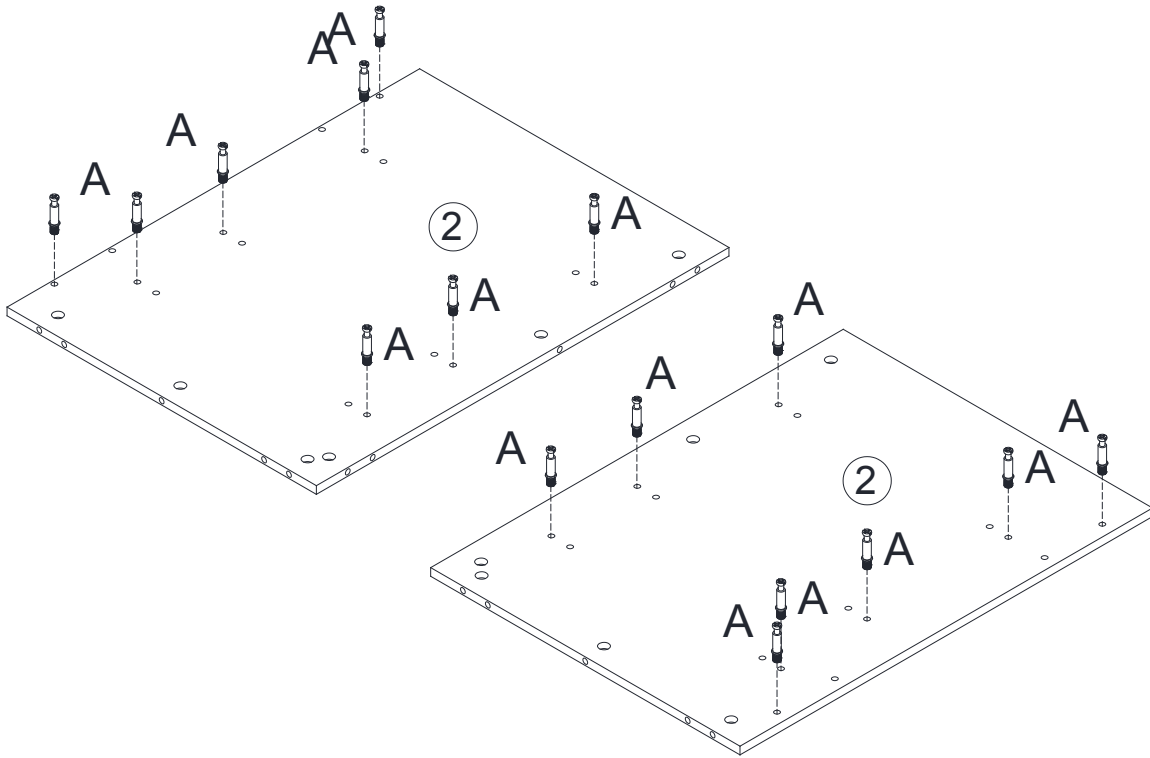
STEP 10

B		10
C		6





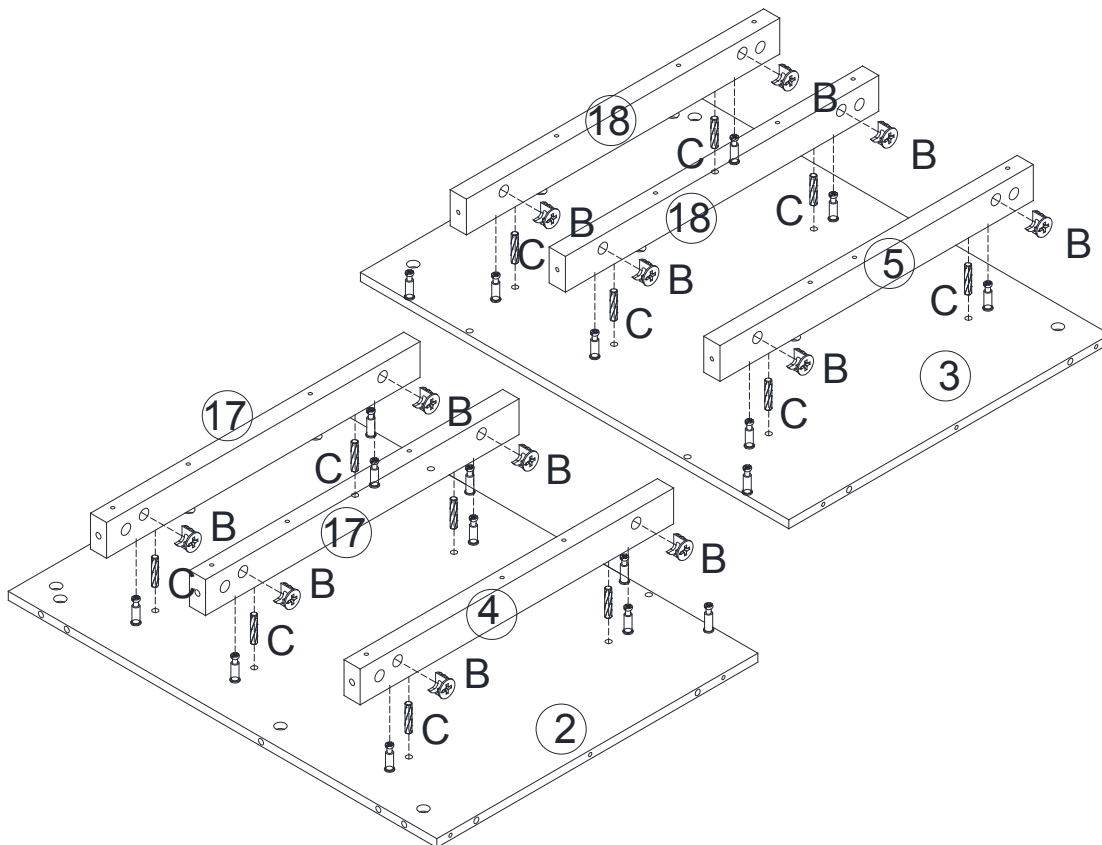
STEP 11

A		16
---	---	----





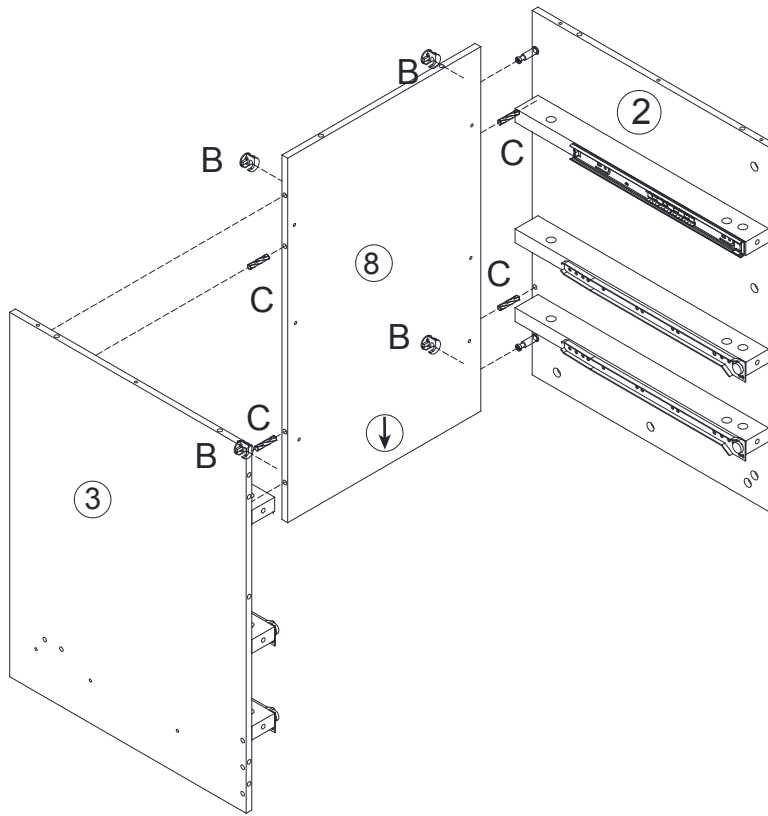
STEP 12

B		12
C		12



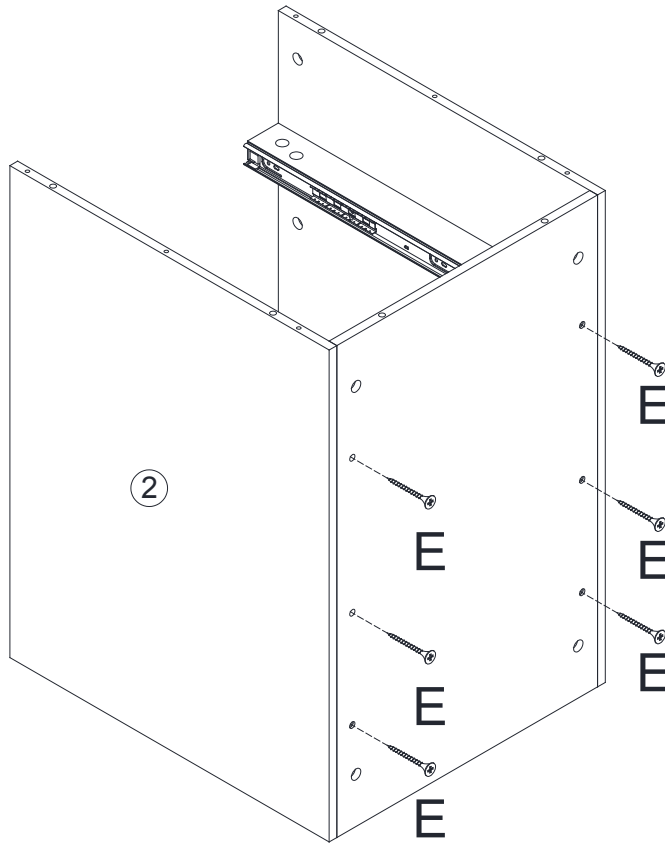
STEP 15

B		4
C		4





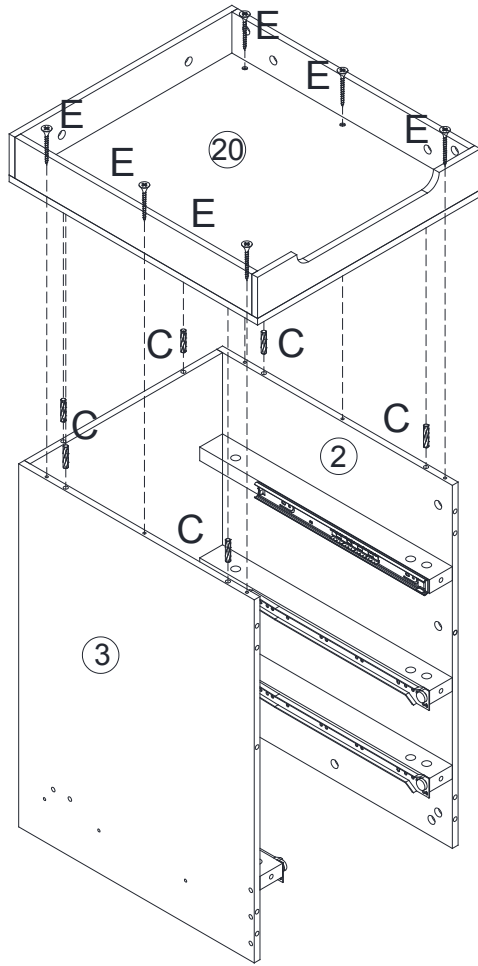
STEP 16

E		6
---	---	---





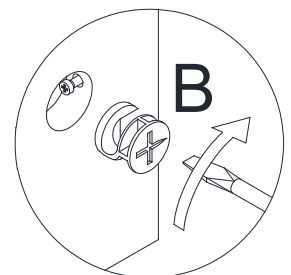
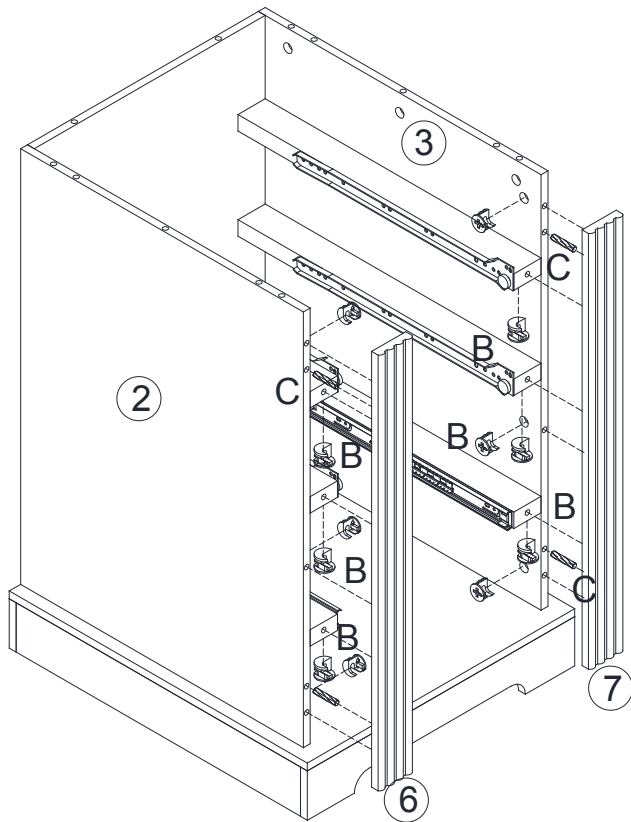
STEP 17

E		6
C		6







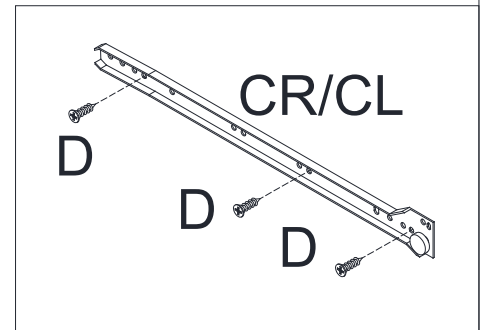
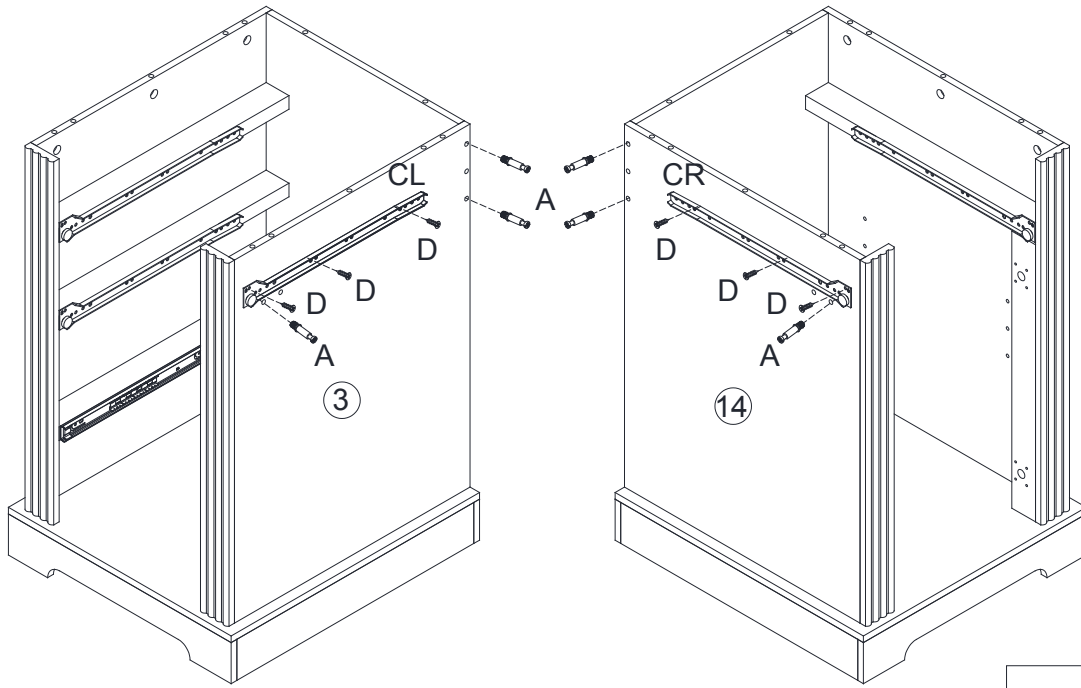
STEP 18

B		12
C		4





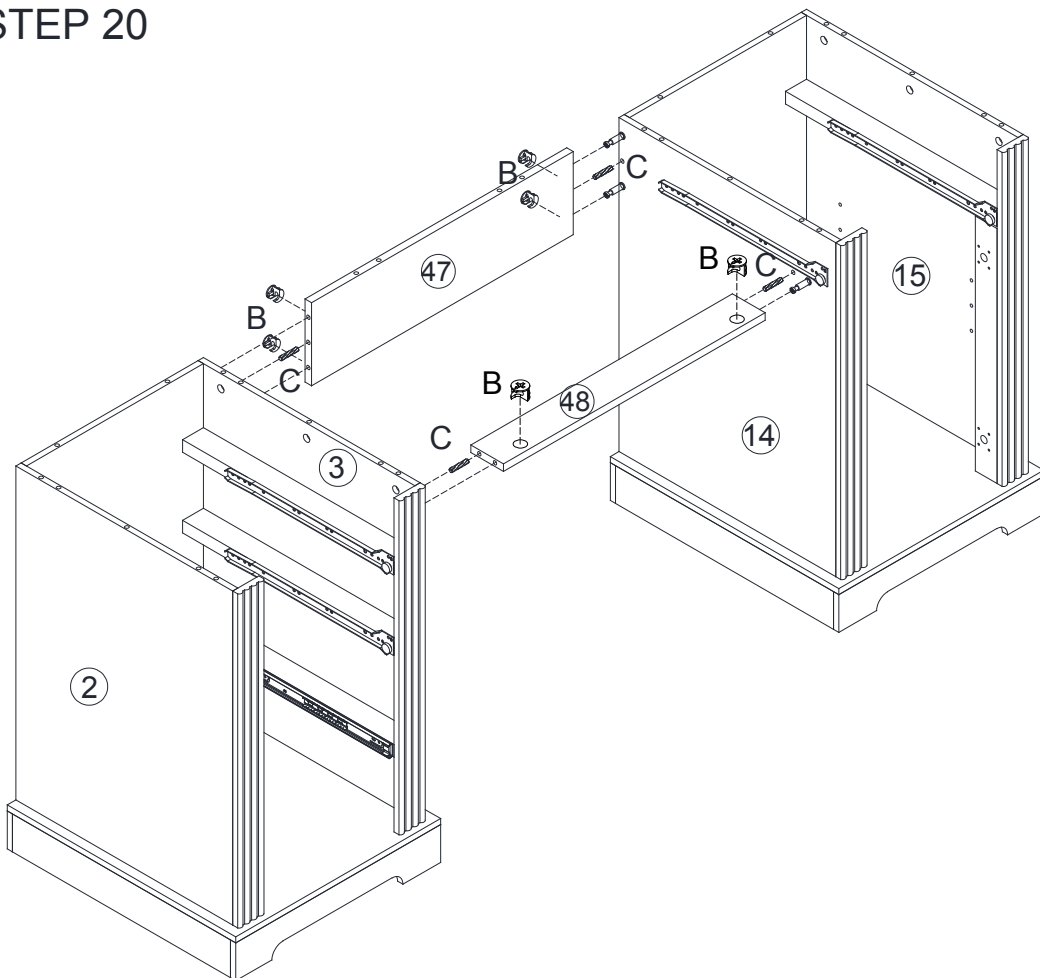
STEP 19

A		6
D		6
CL		1
CR		1



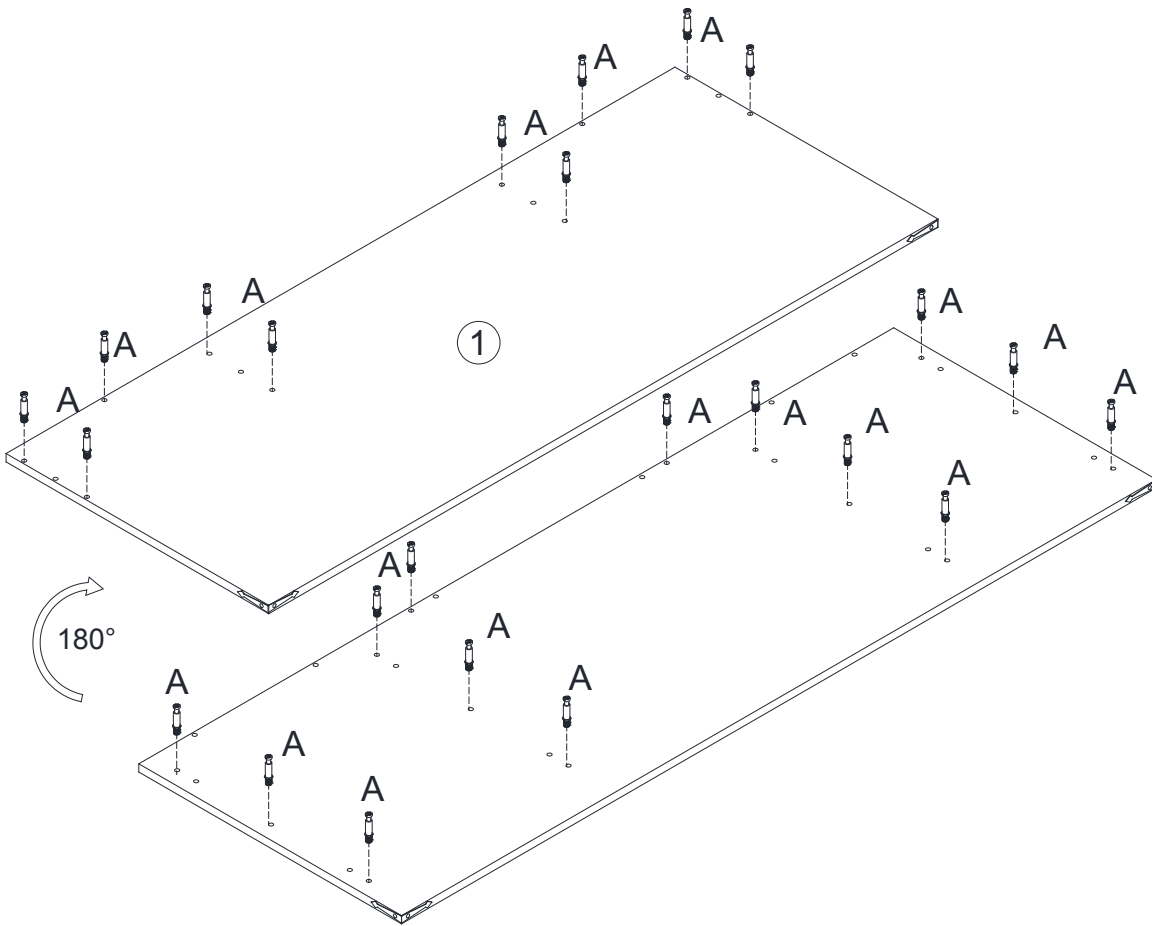
STEP 20

B		6
C		4





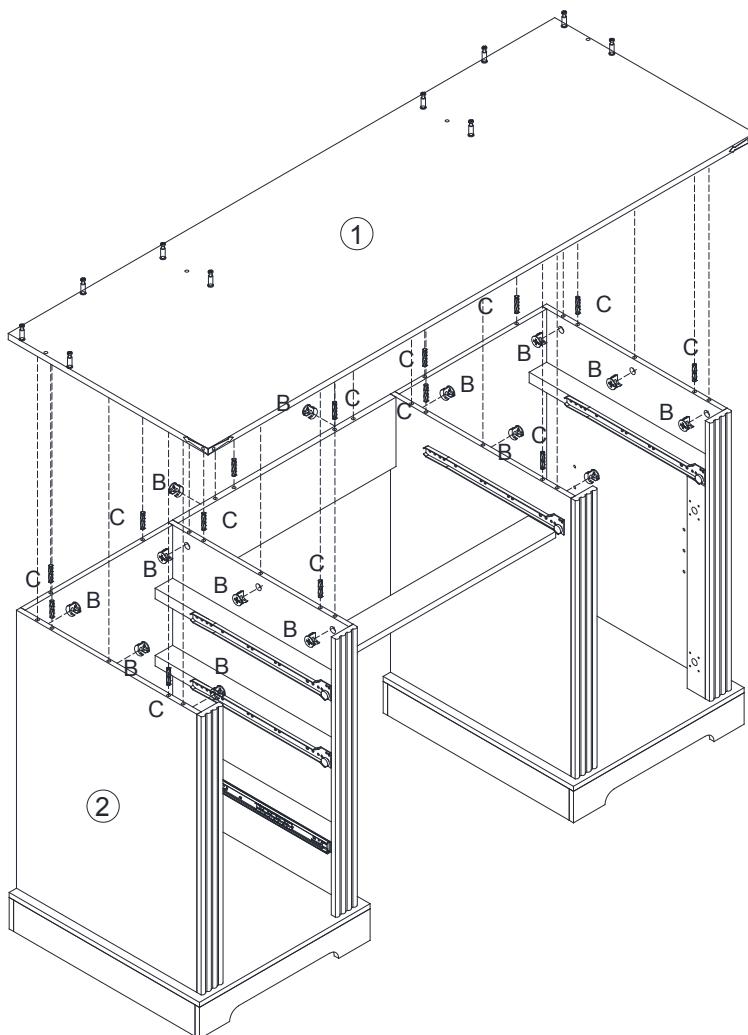
STEP 21

A		24
---	---	----





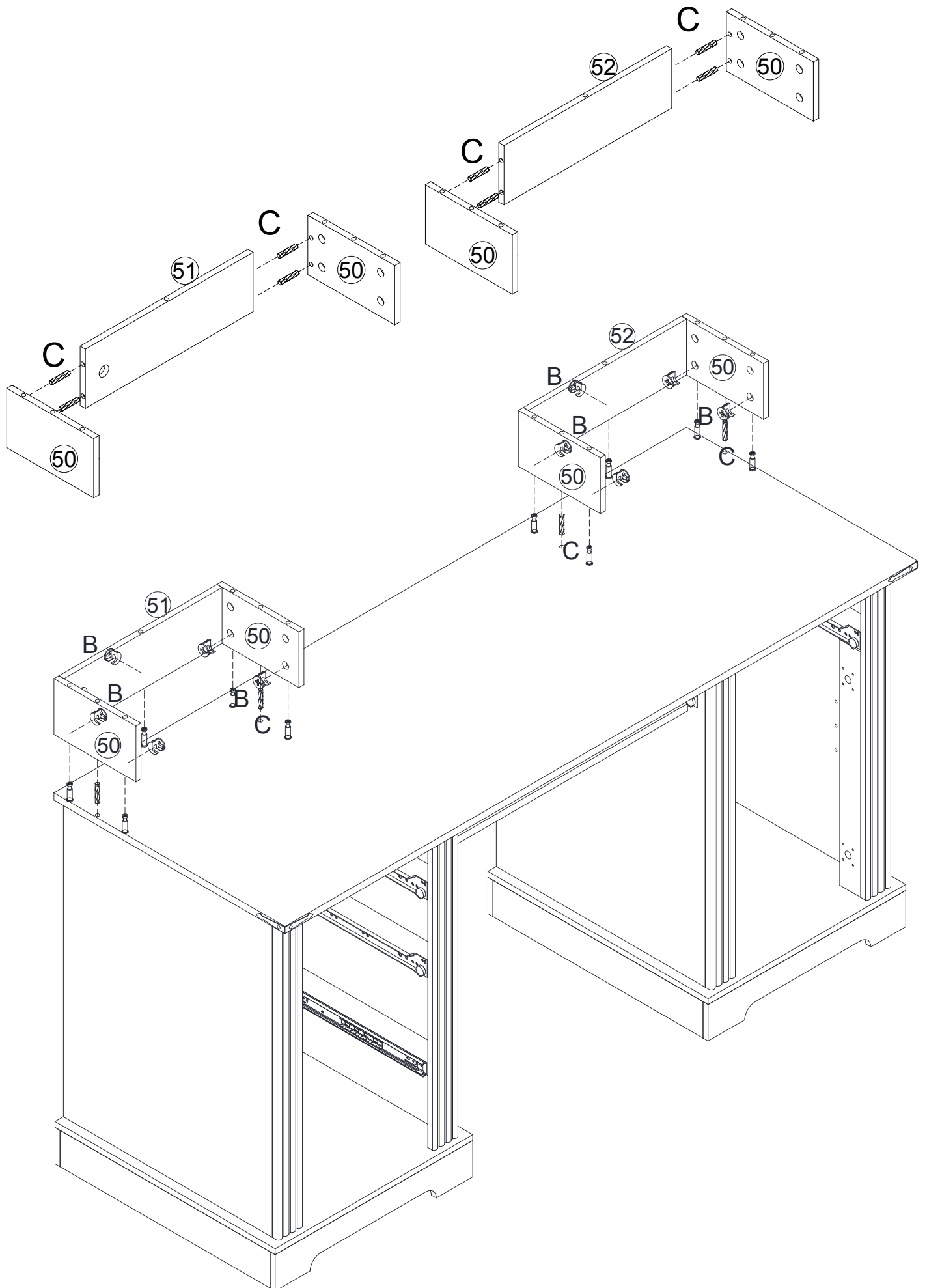
STEP 22

B		14
C		14



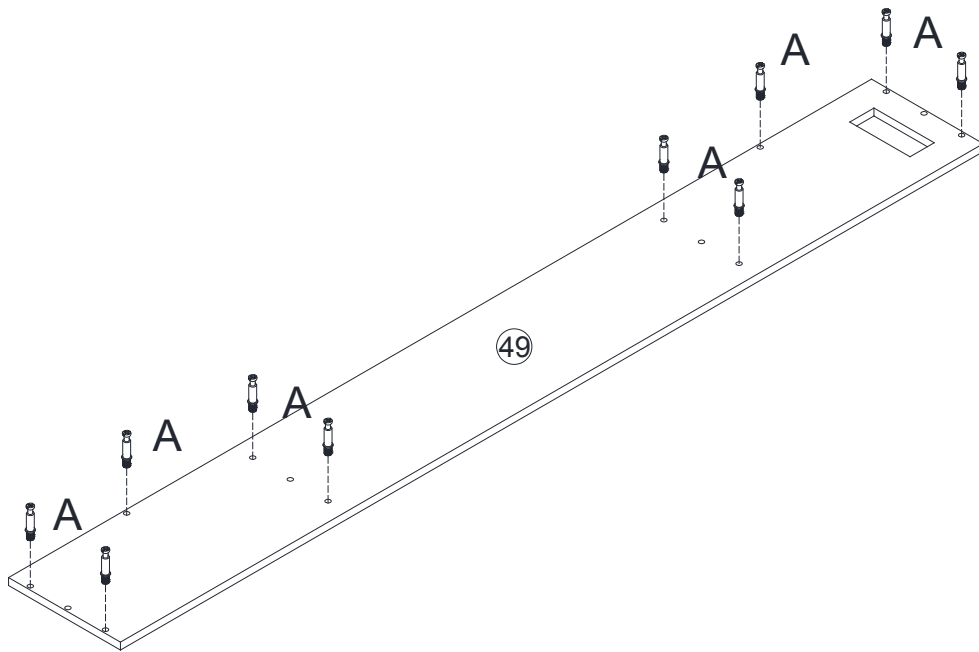
STEP 23

B		10
C		12





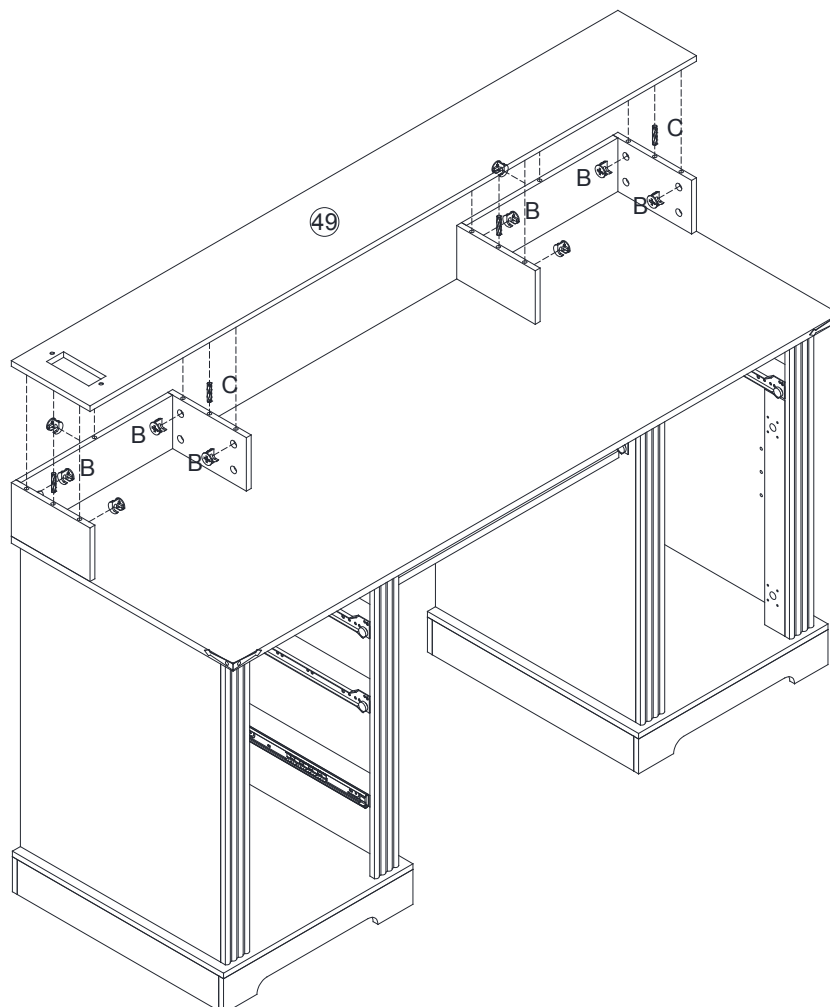
STEP 24

A		10
---	---	----





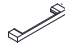






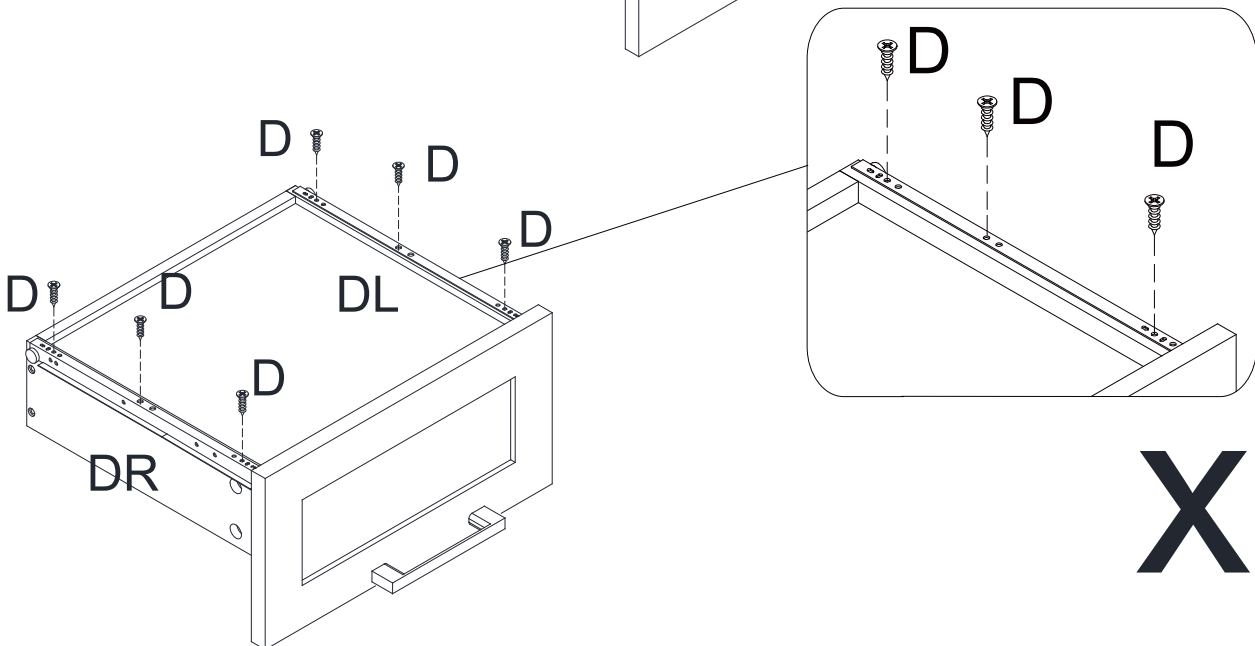
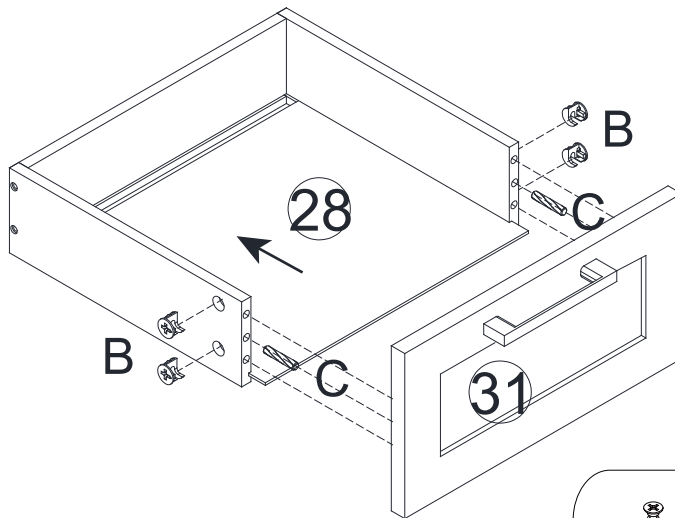
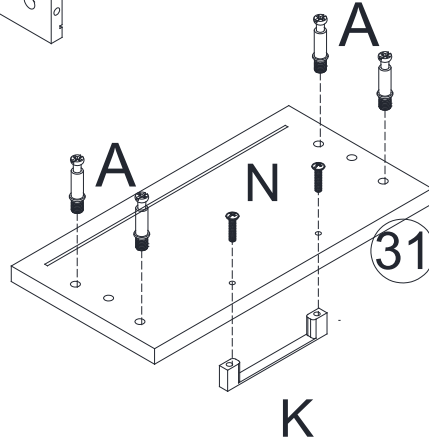
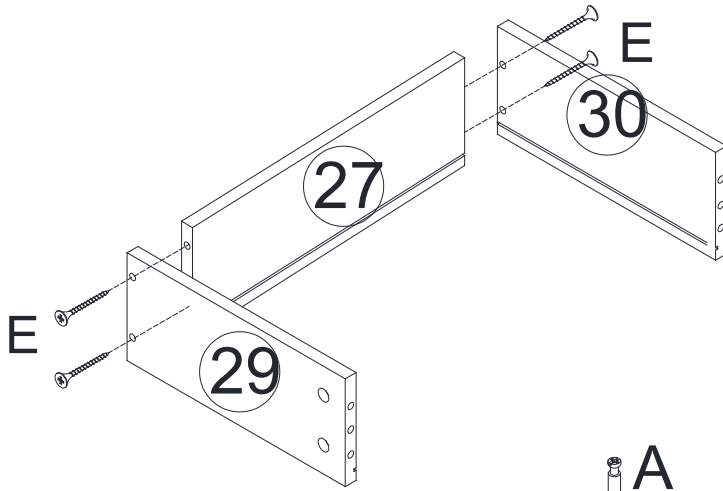
STEP 25

B		10
C		4





STEP 26

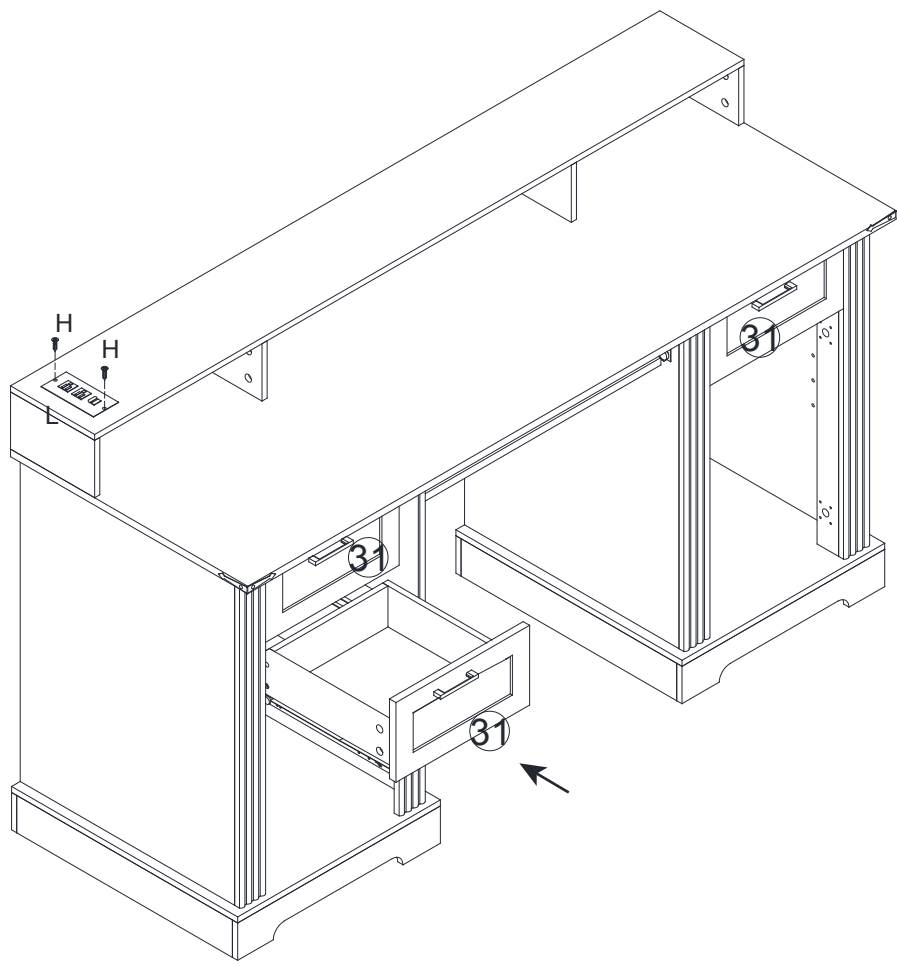
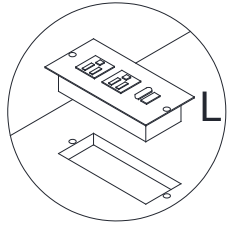
N		6	A		12
C		6	B		12
K		3	D		18
			E		12
			DL		3
			DR		3




x3

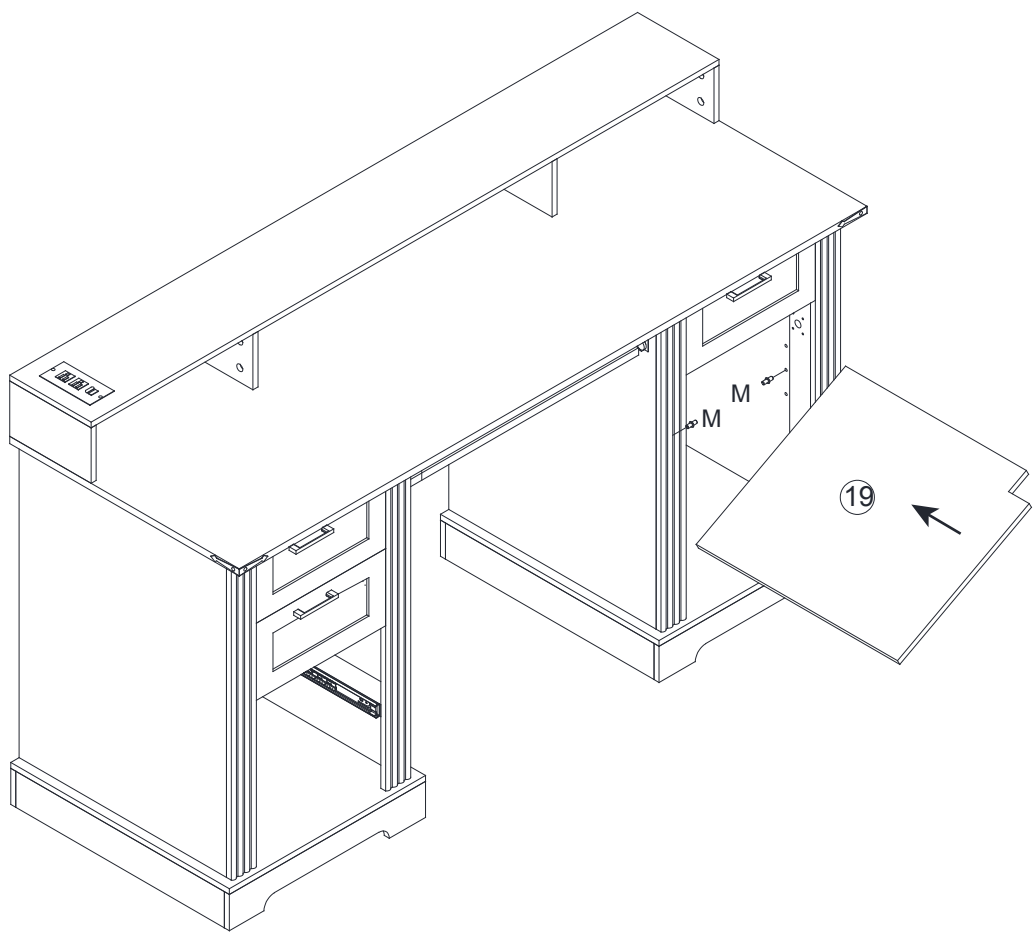
STEP 27

H		2
L		1



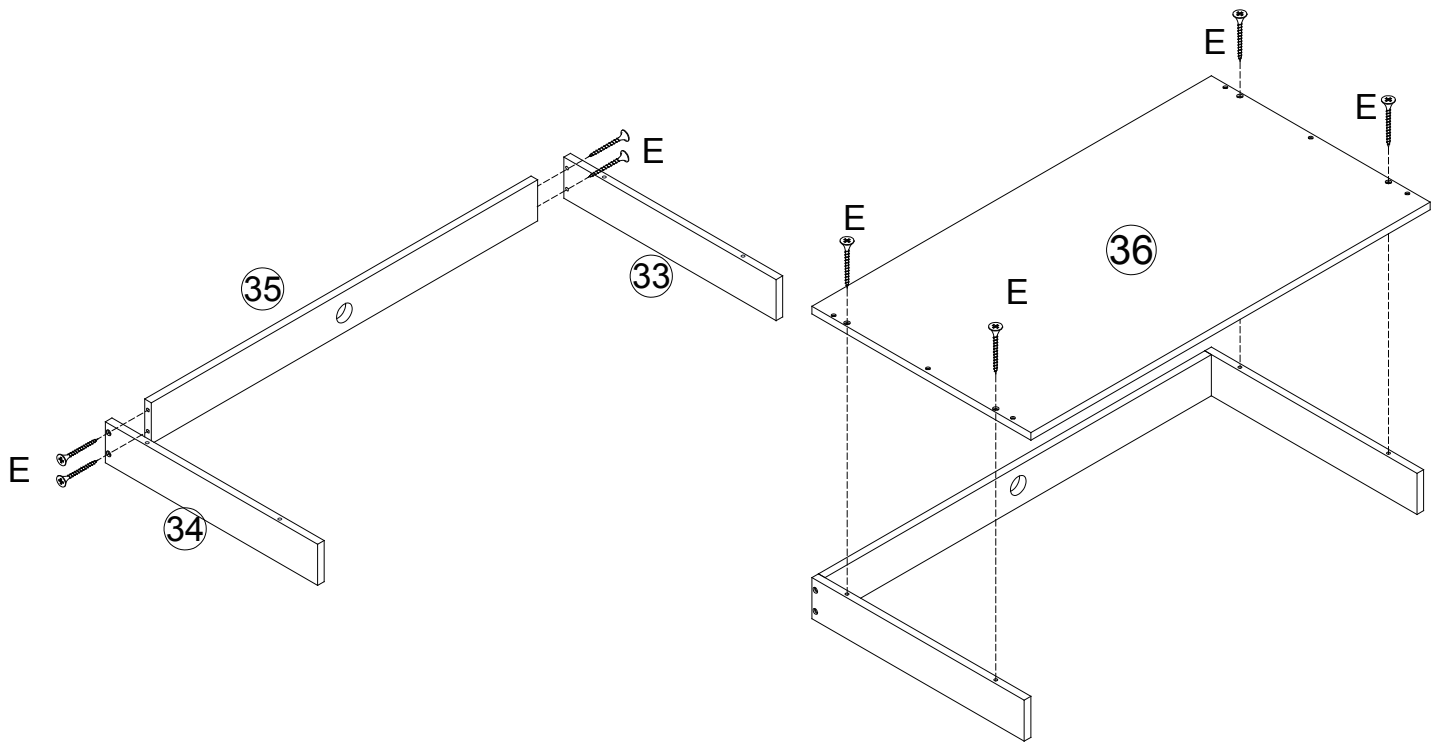
STEP 28

M		4
---	---	---










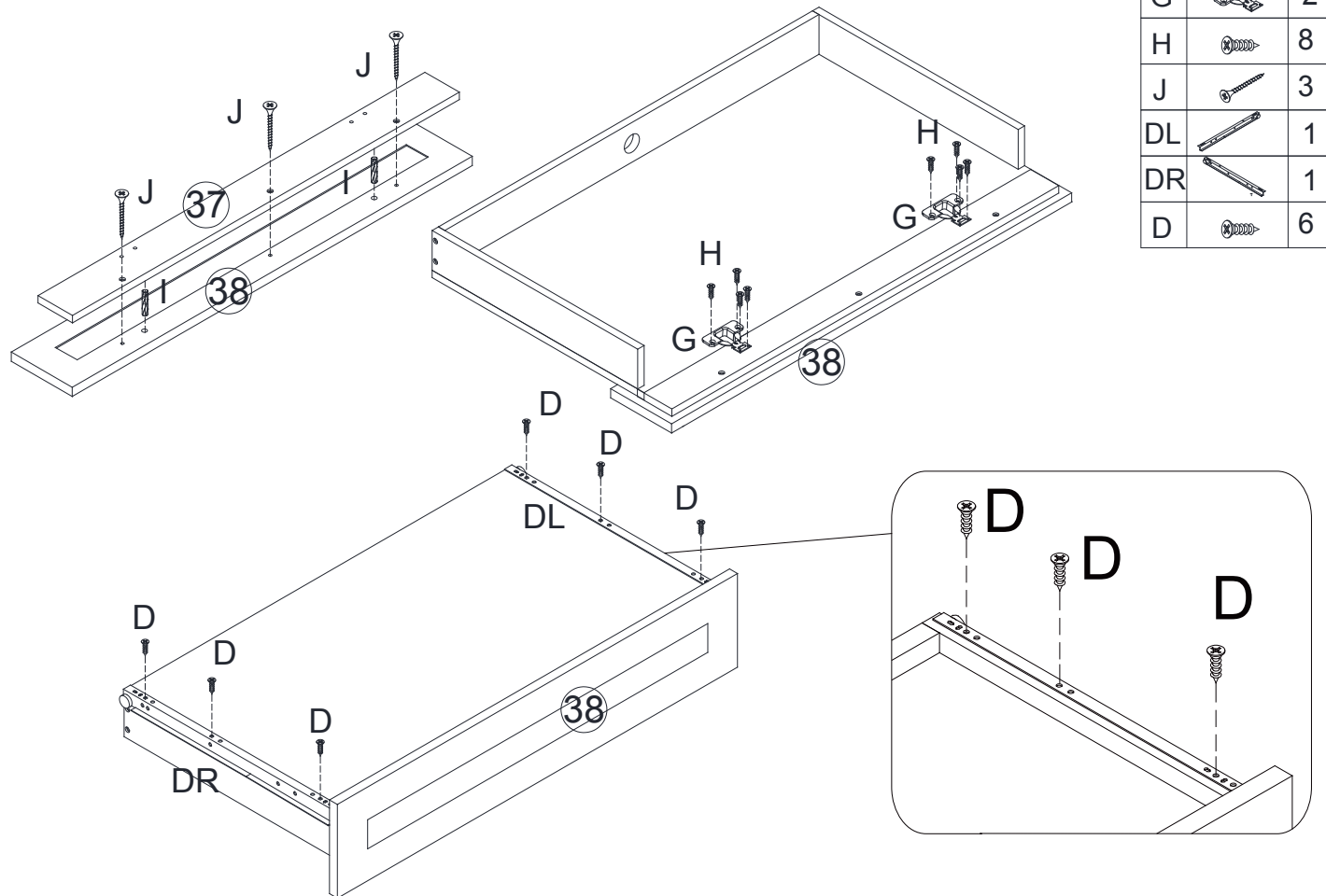
STEP 29

E  8

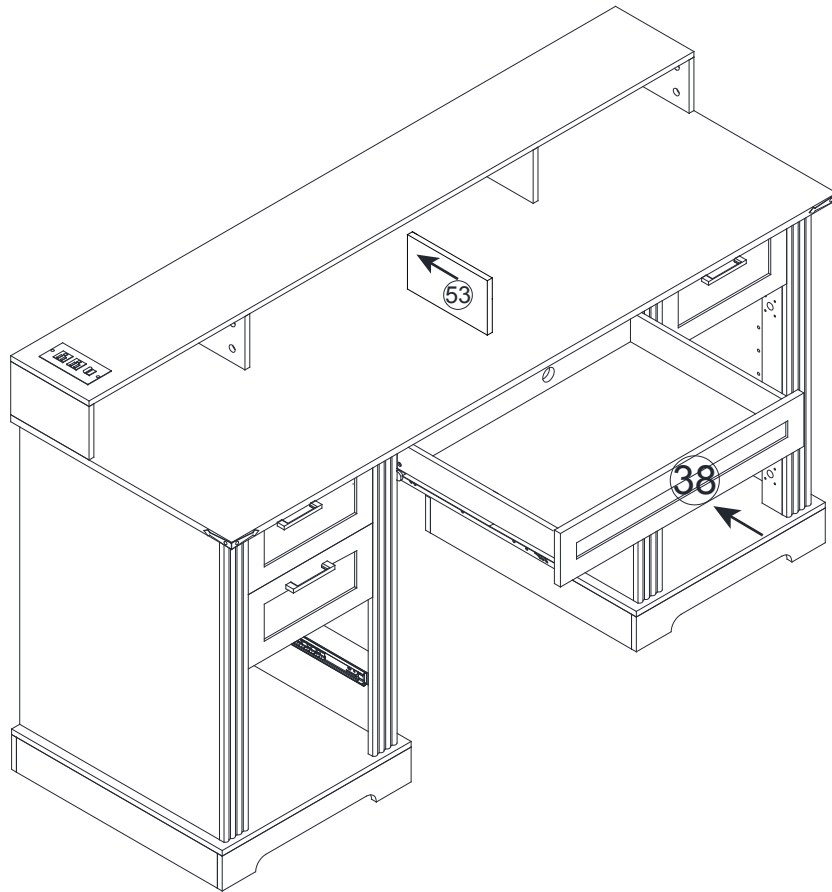


STEP 30

I		2
G		2
H		8
J		3
DL		1
DR		1
D		6

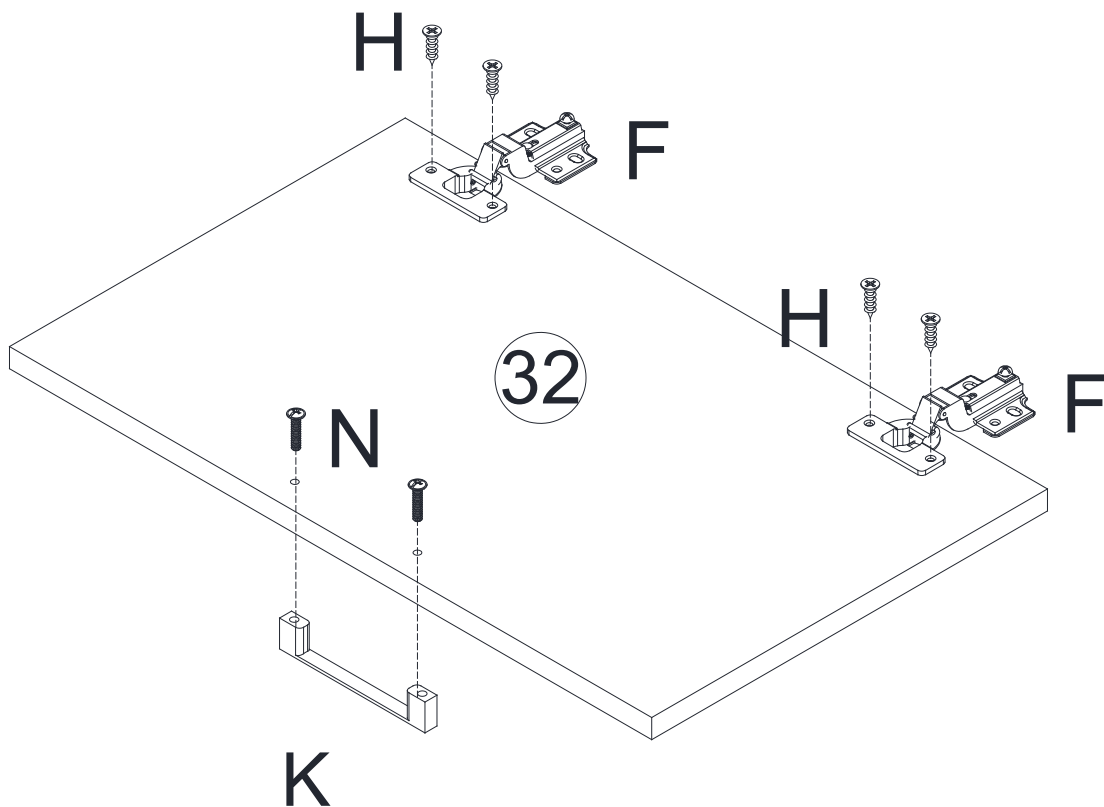


STEP 31



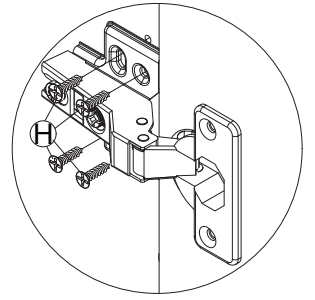
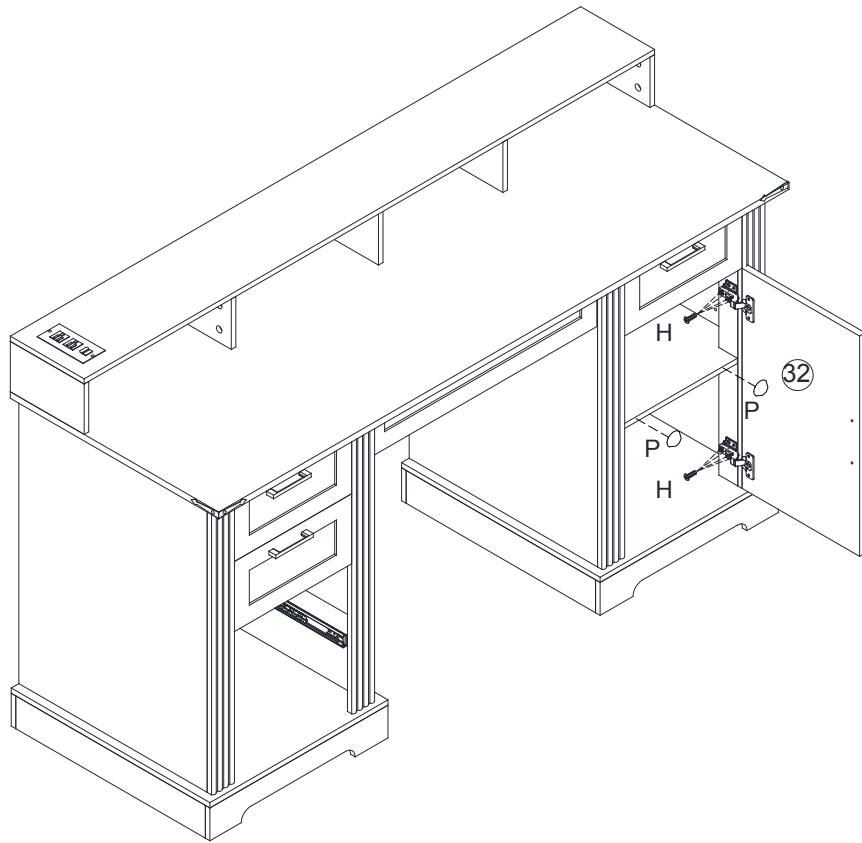
STEP 32

H		4
F		2
N		2
K		1



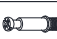

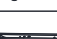


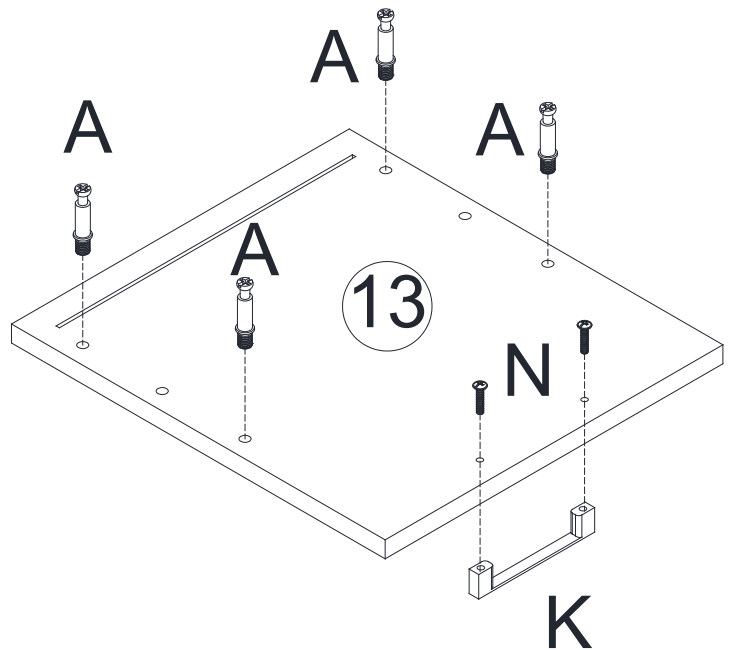
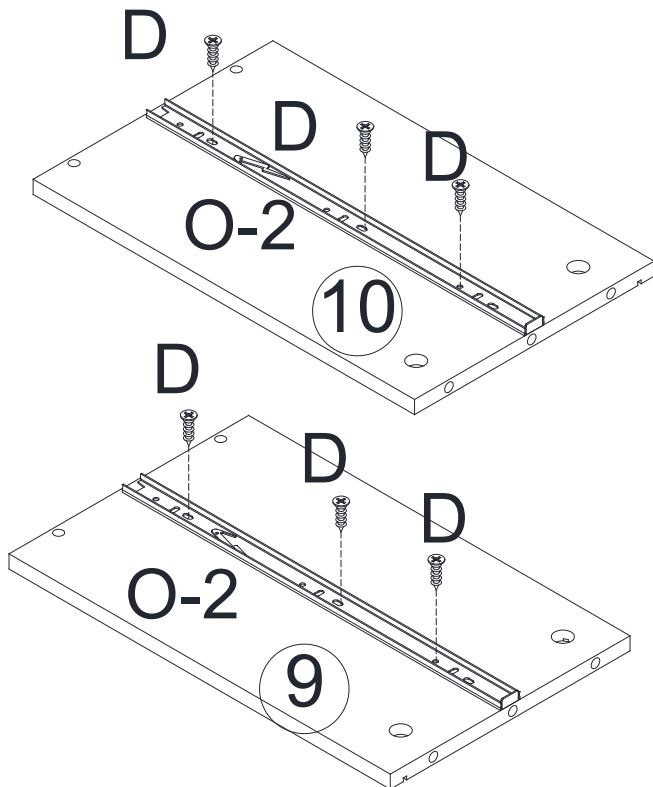
STEP 33

H		8
P		2






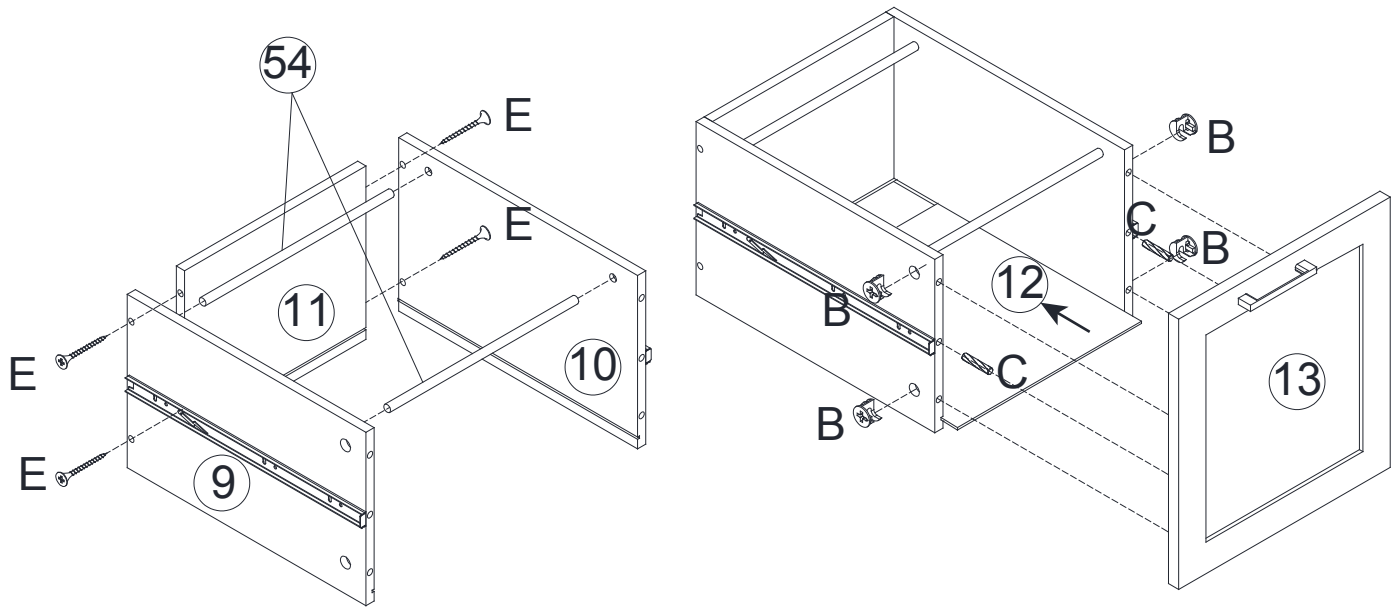
STEP 34

N		2
K		1
A		4
D		6
O-2		2









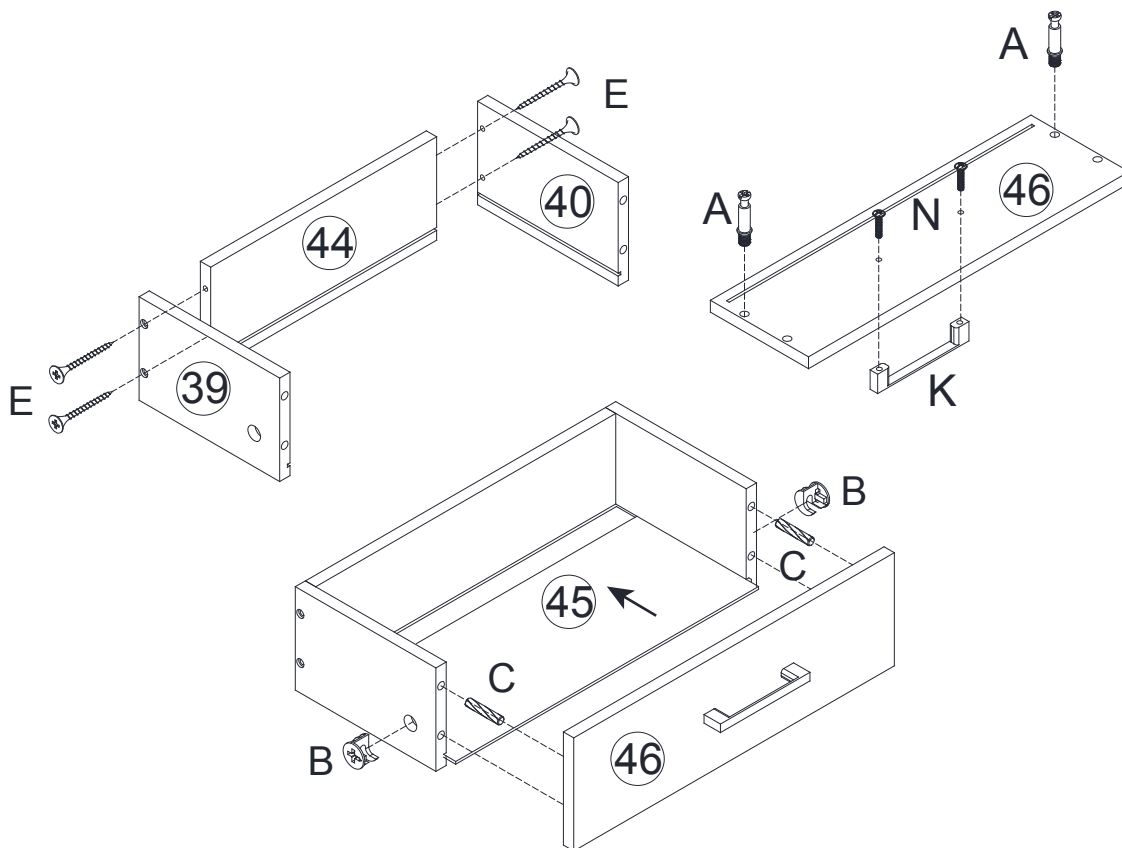
STEP 35

B		4
E		4
C		2

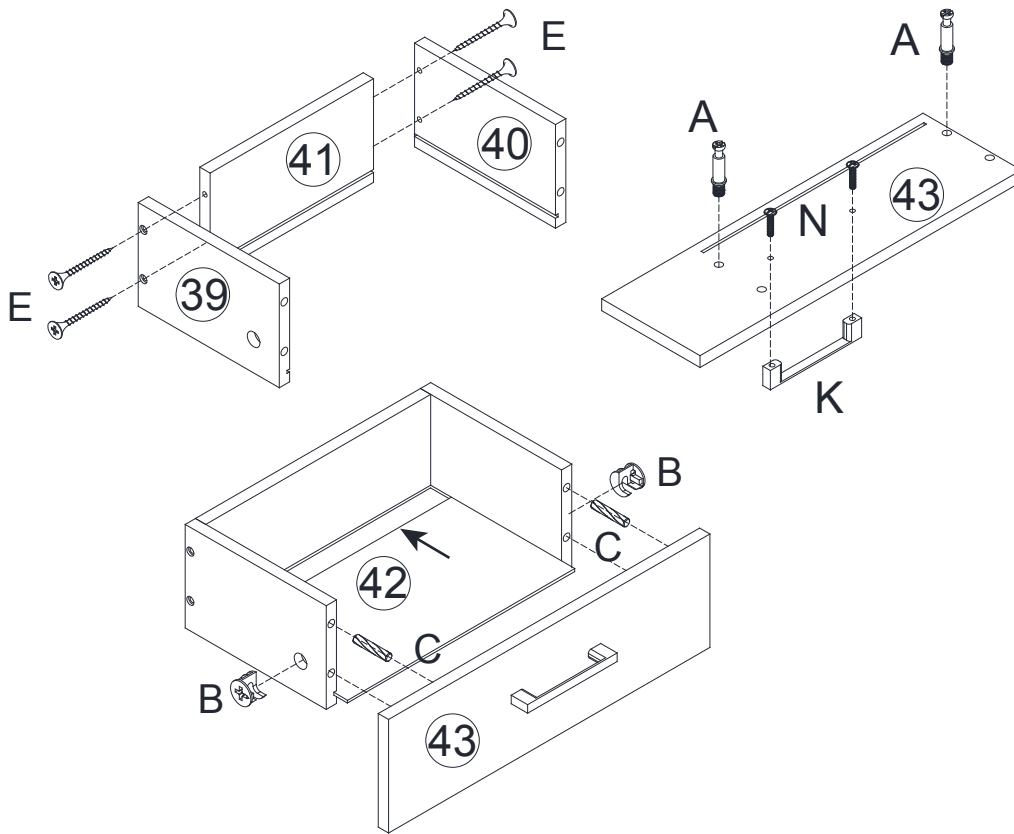


STEP 36

A		2
B		2
E		4
N		2
C		2
K		1

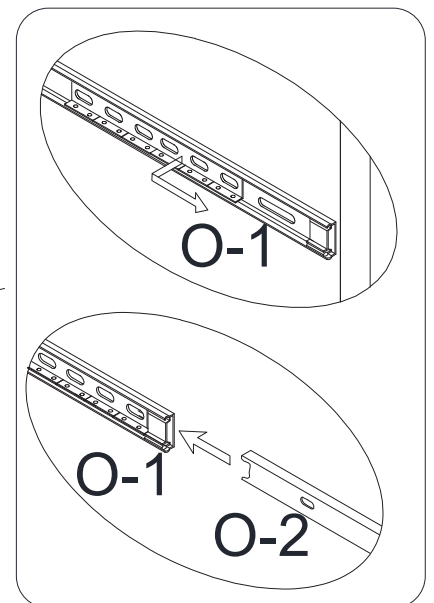
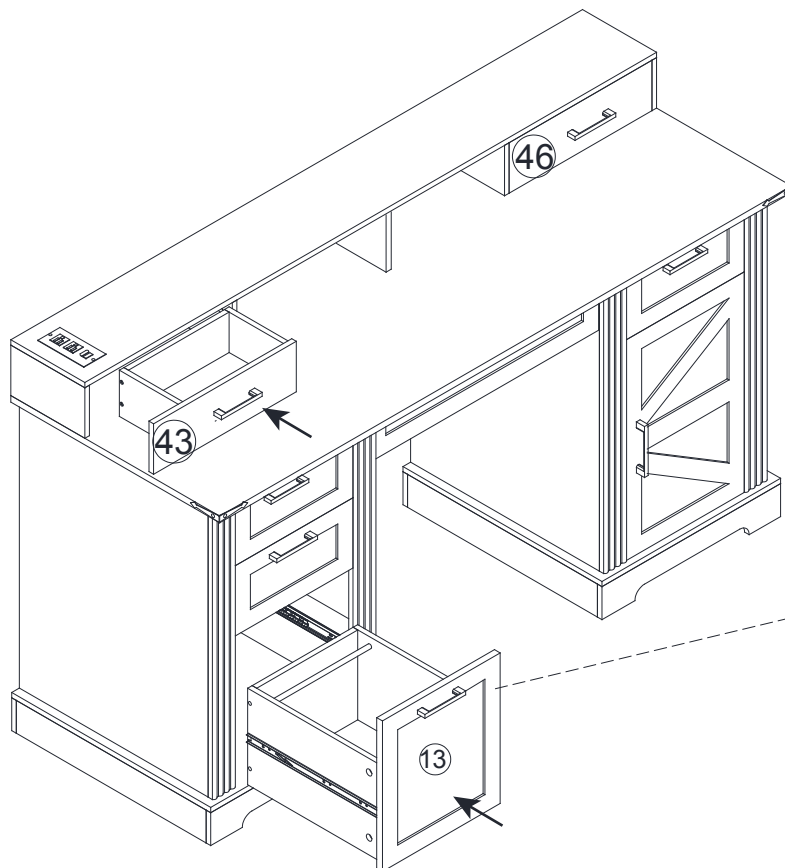


STEP 37



A		2
B		2
E		4
N		2
C		2
K		1

STEP 38



COMPLETE:

