

**TV Stand**

# OUR BRAND

Since 2013, We have been dedicated to providing customers with quality products and exceptional service and has prospered into one of the nation's largest retailers of indoor and outdoor home décor. Every product is carefully selected to ensure they meet our standards as well as your standards. We believe quality should never be determined by price which is committed to providing high end merchandise at the absolute lowest cost.



Estimated Time for Assembly

**60 mins**

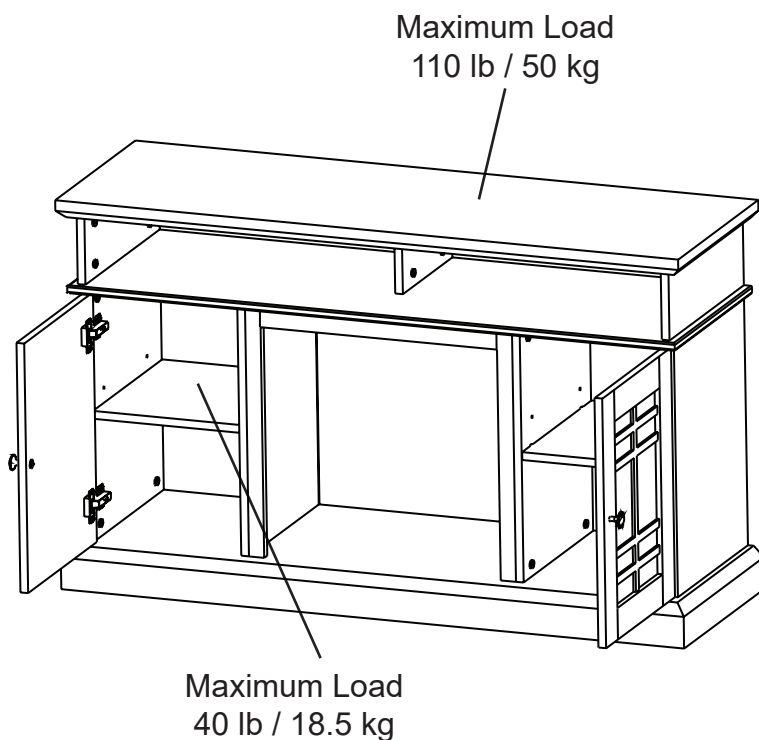


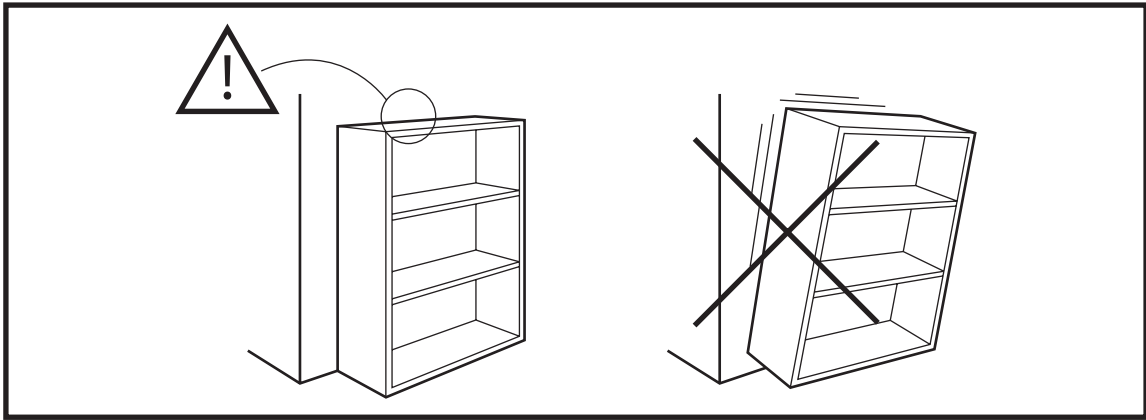
Weight Limitation

**40 lb** Shelf

**110 lb** Top

Tools Needed (Not included)

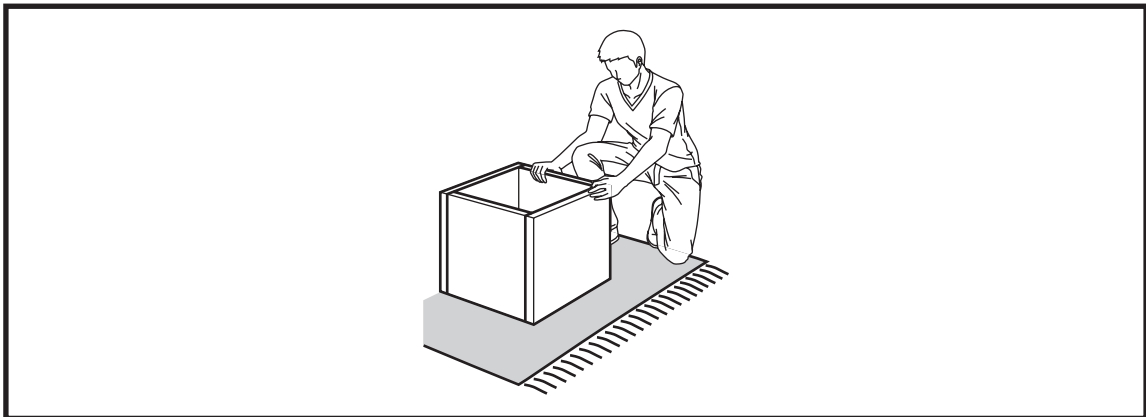




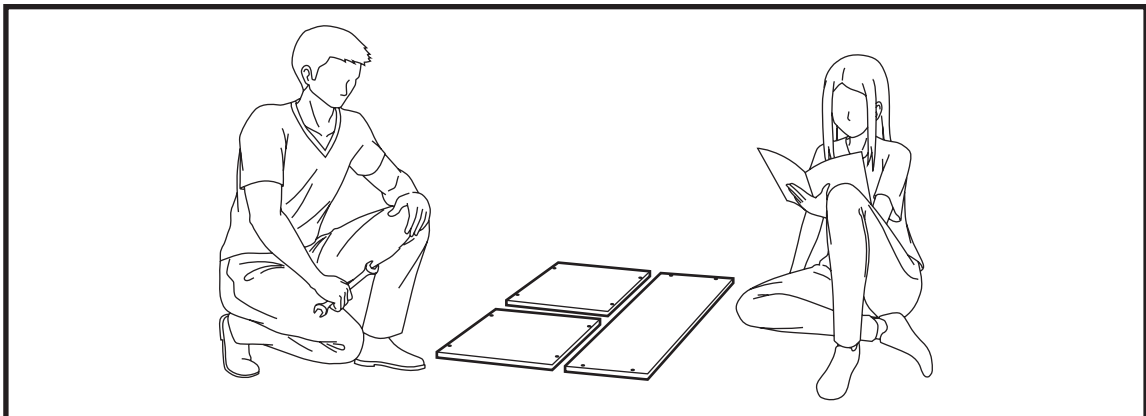
## Warning

Serious or fatal crushing injuries may occur if the furniture tip-over. Furniture must permanently fixed to the wall with included anti-tipping device to prevent the furniture from tipping over.

Different wall materials requires different types of fixing device, Use suitable fixing device to secure the stability and load bearing capacity of the furniture. If you are uncertain about which type of fixing device to use, please contact your local hardware store.



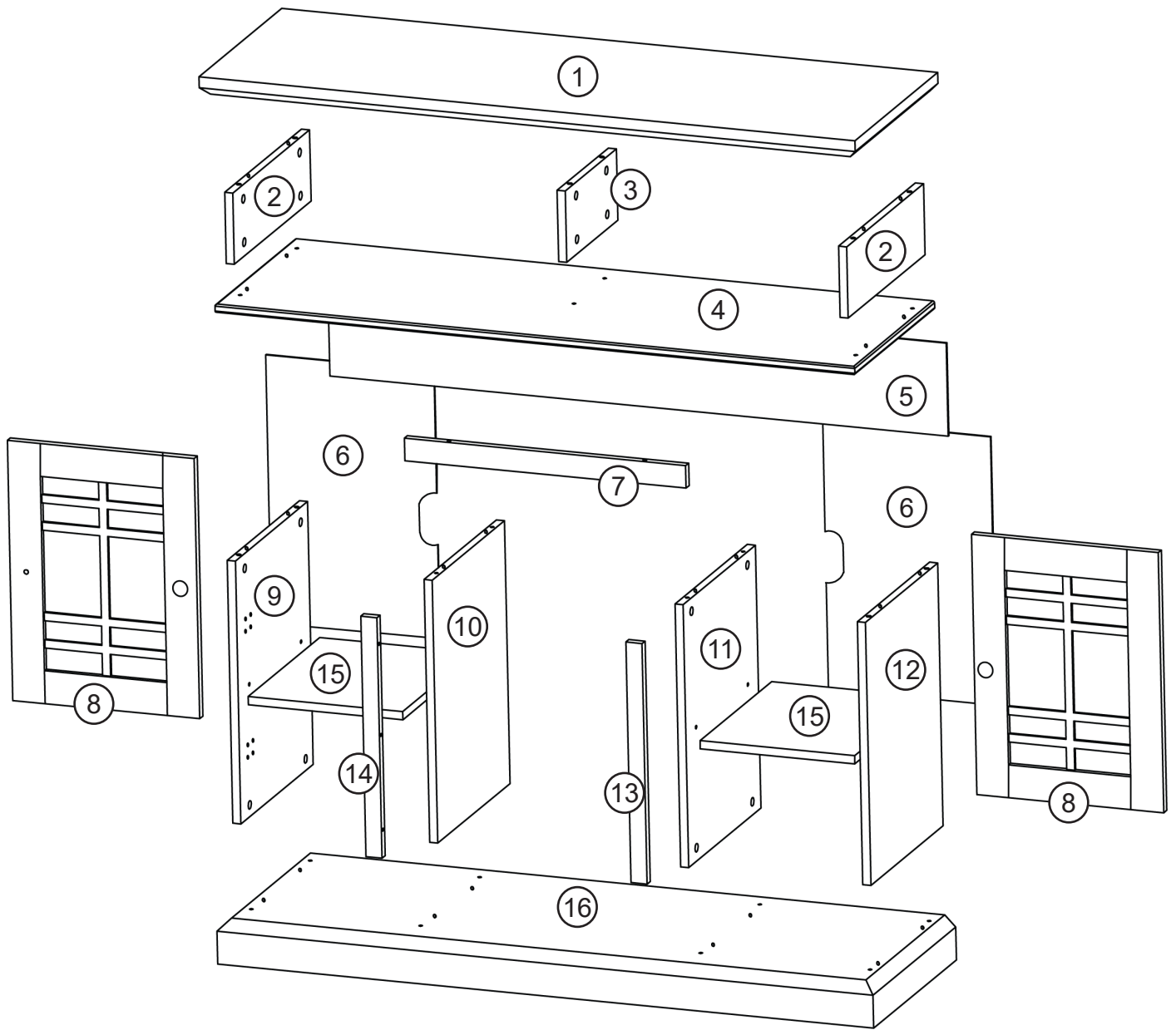
Assembly the furniture on empty carton, carpet, or rug to prevent scratches or damage.



This furniture requires 2 people to assembly.

Make sure no parts are missing or damaged before assembly.

# PACKAGE CONTENT



## PACKAGE CONTENT (A)

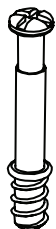
CODE	DESCRIPTION	QTY
1	Countertop Board	1
4	Laminates	1
5	Upper Back Panel	1
6	Lower Back Panel	2
16	Bottom Plate	1

## PACKAGE CONTENT (B)

CODE	DESCRIPTION	QTY
2	Upper Lateral Plate	2
3	Middle Partition	1
7	Middle Cross	1
8	Cabinet Door	2
9	Left Lateral Plate	1
10	Left Medial Plate	1
11	Right Medial Plate	1
12	Right Lateral Plate	1
13	Right Vertical	1
14	Left Vertical	1
15	Storage Shelf	2

# PACKAGE CONTENT

(A)



34x + 1

(B)



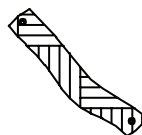
30x + 1

(C)



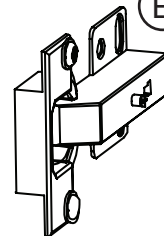
34x + 1

(D)



2x

(E)



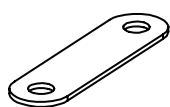
4x

(F)



2x

(G)



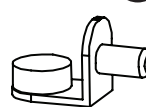
2x

(H)



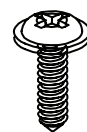
2x

(I)



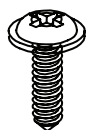
8x

(J)



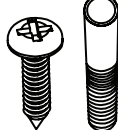
20x + 1

(K)



28x + 1

(L)



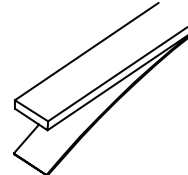
2x

(M)



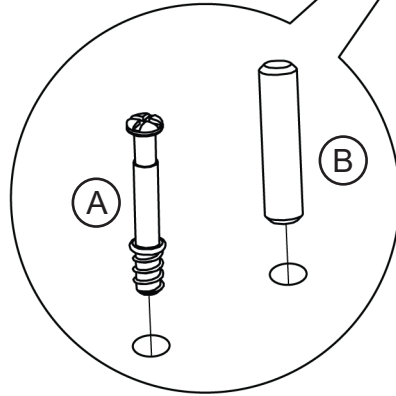
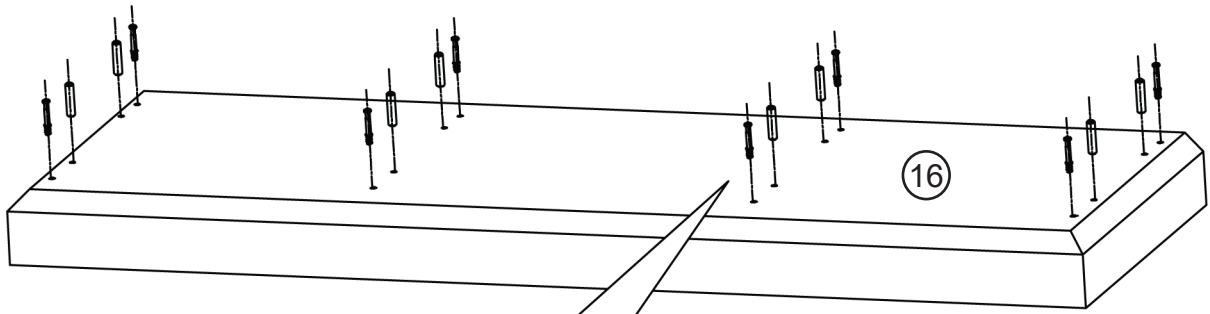
34x + 1

(N)



1x

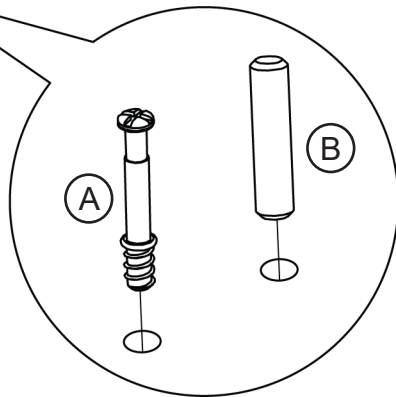
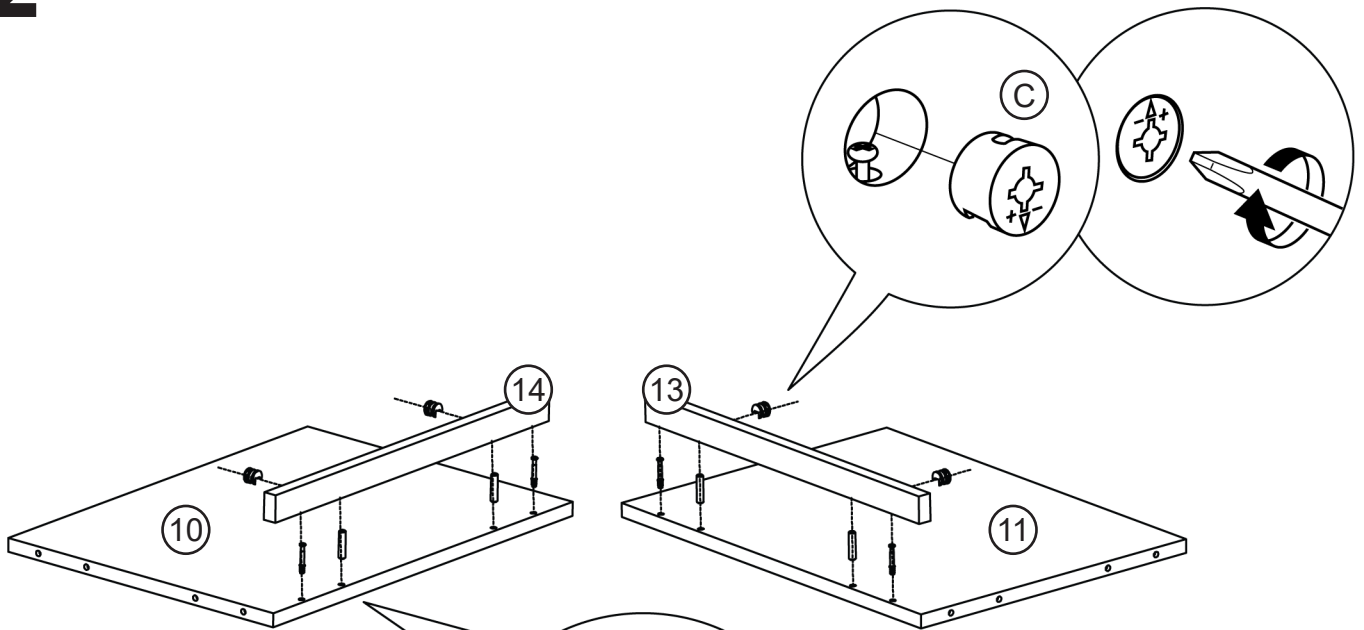
# 1



(A) 8x

(B) 8x

# 2

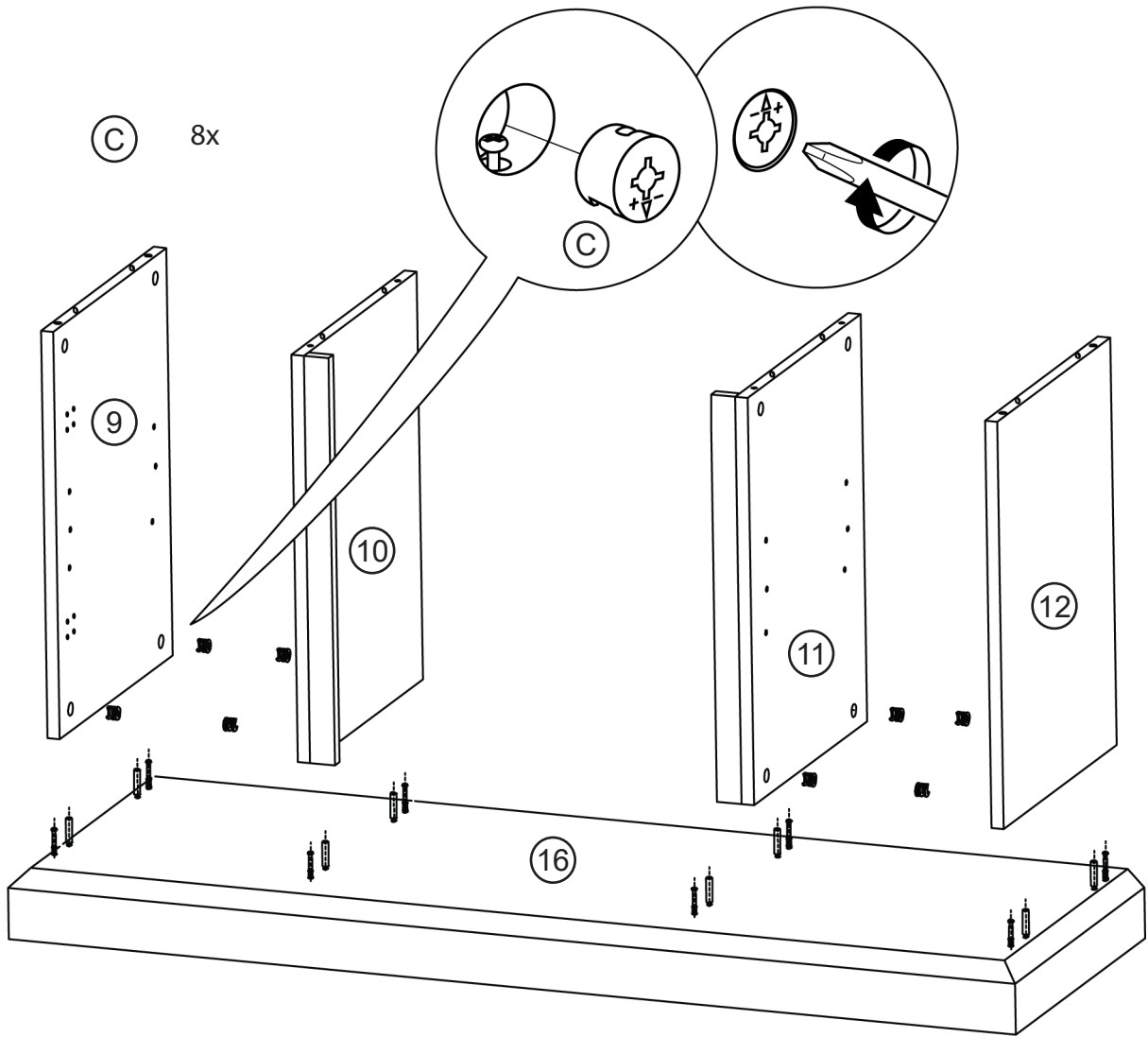


(A) 4x

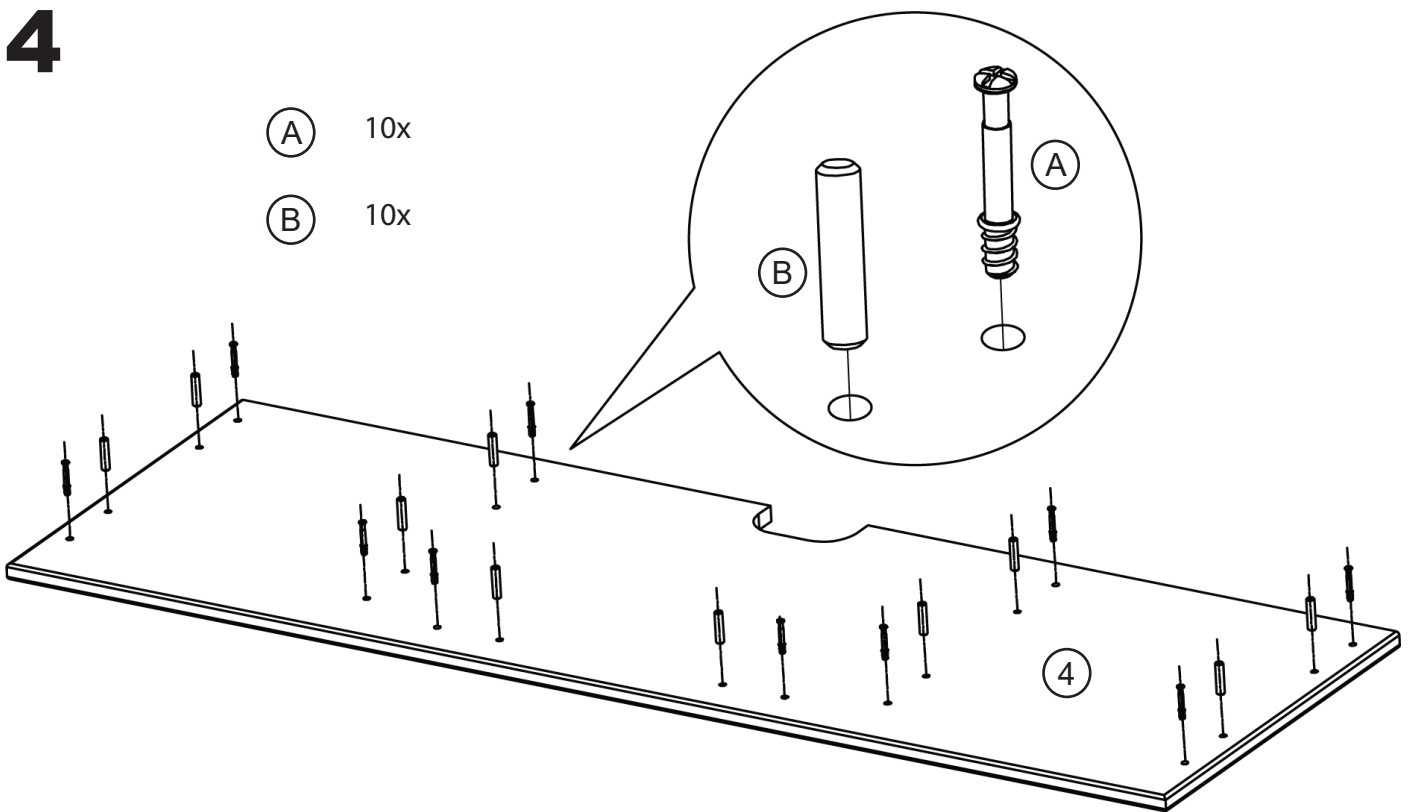
(B) 4x

(C) 4x

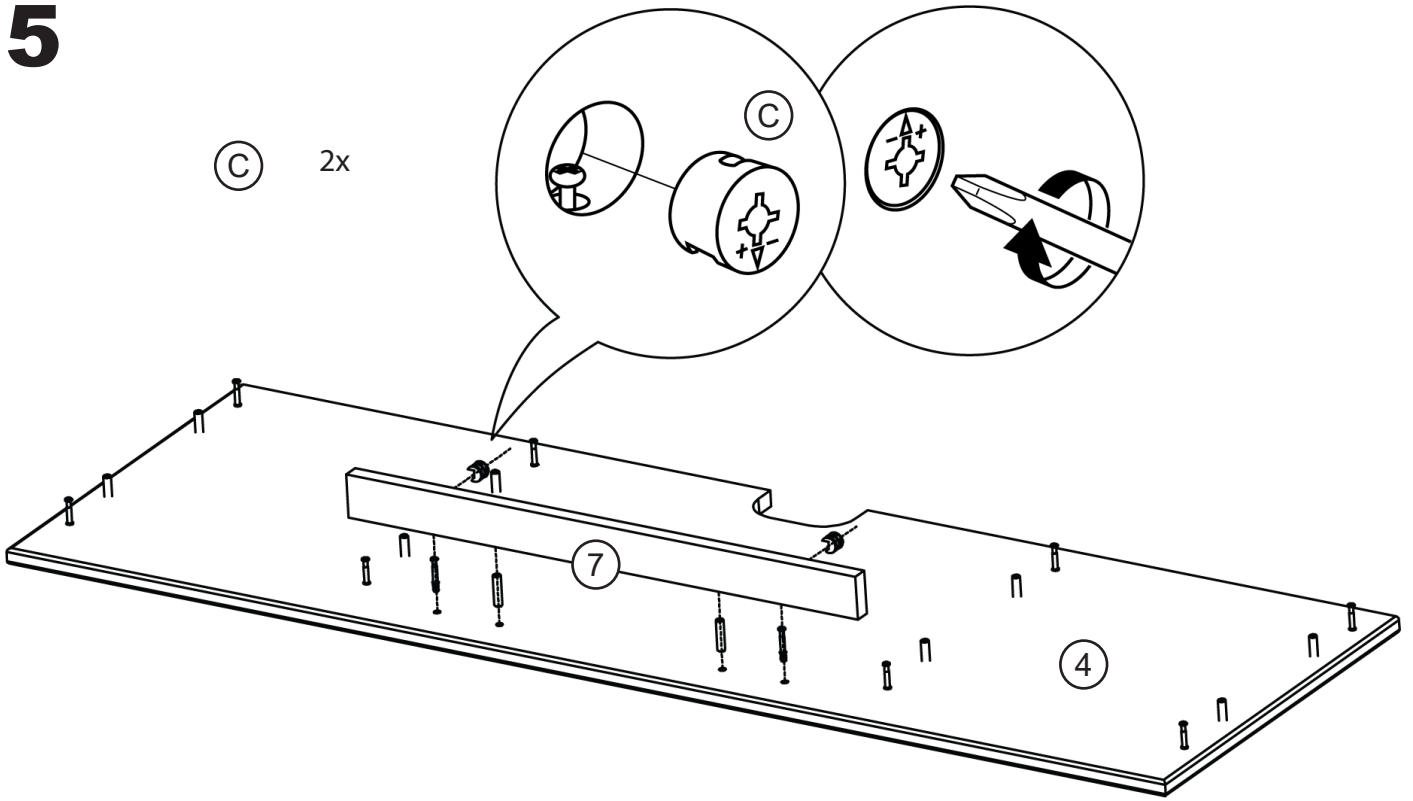
# 3



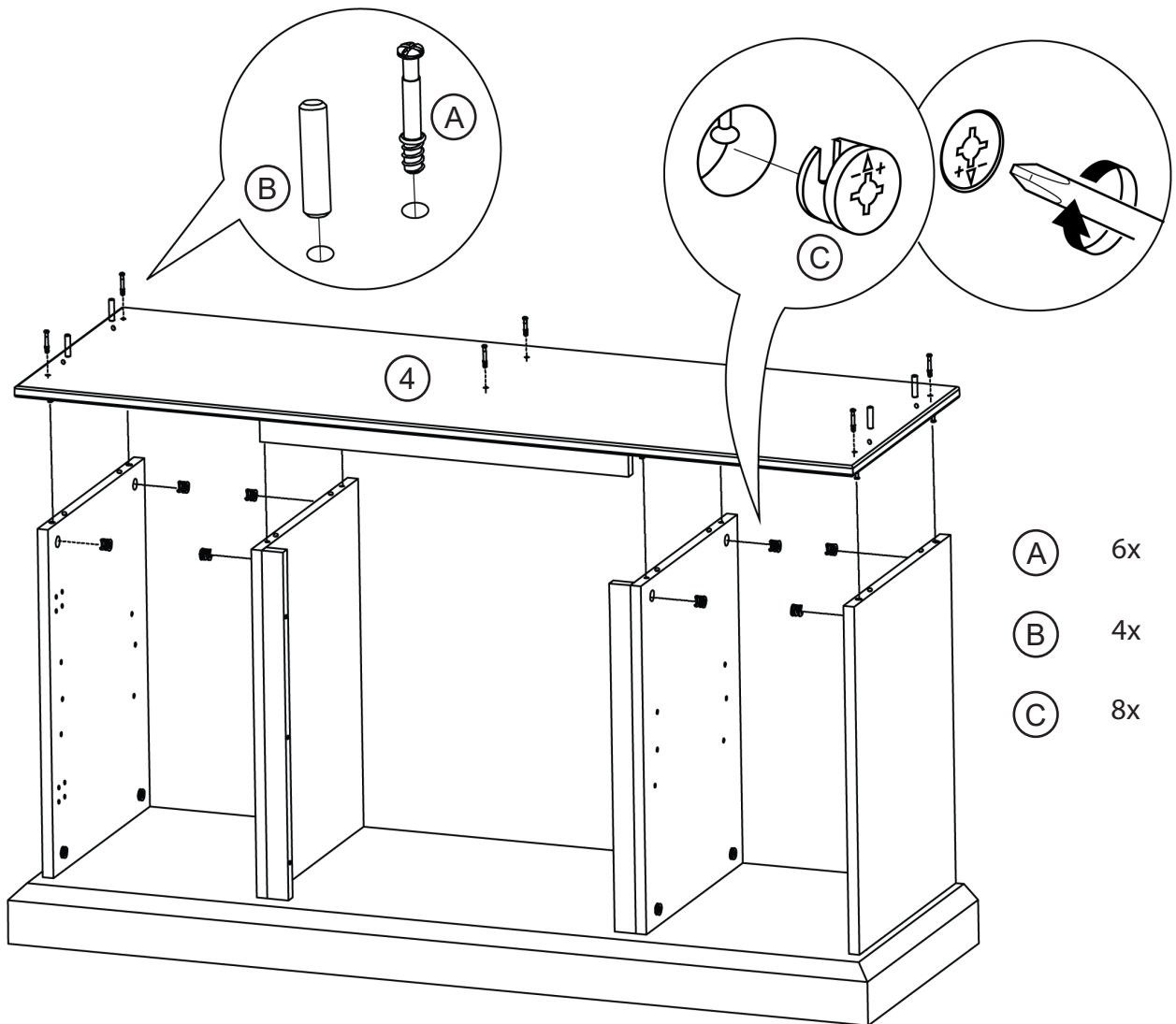
# 4



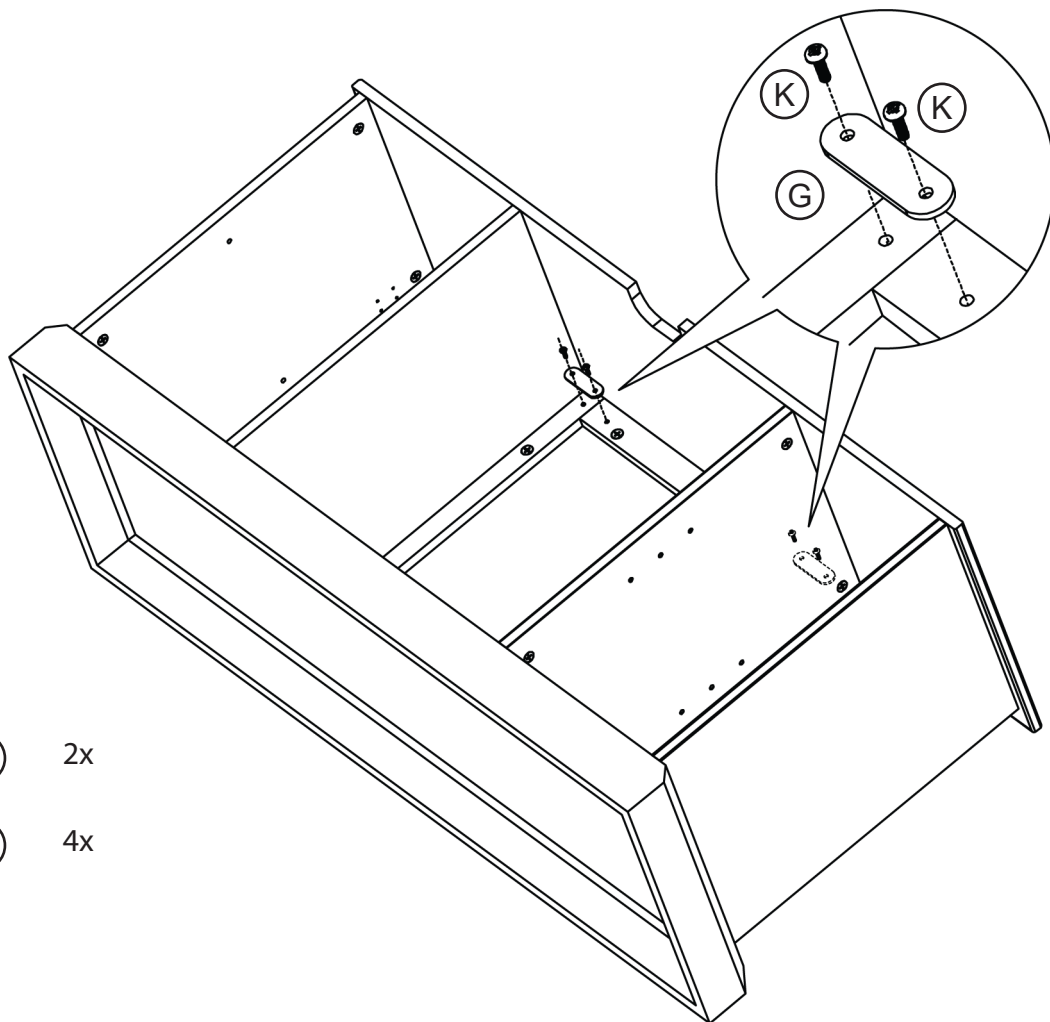
# 5



# 6



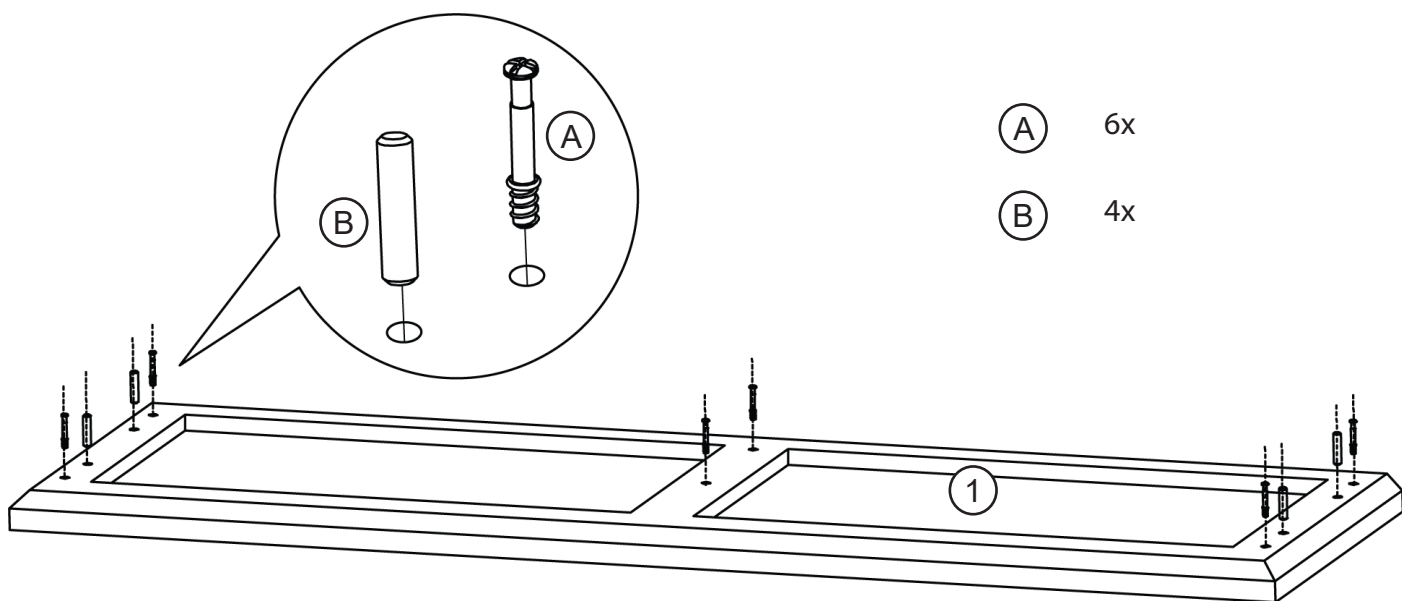
# 7



ⓐ 2x

Ⓚ 4x

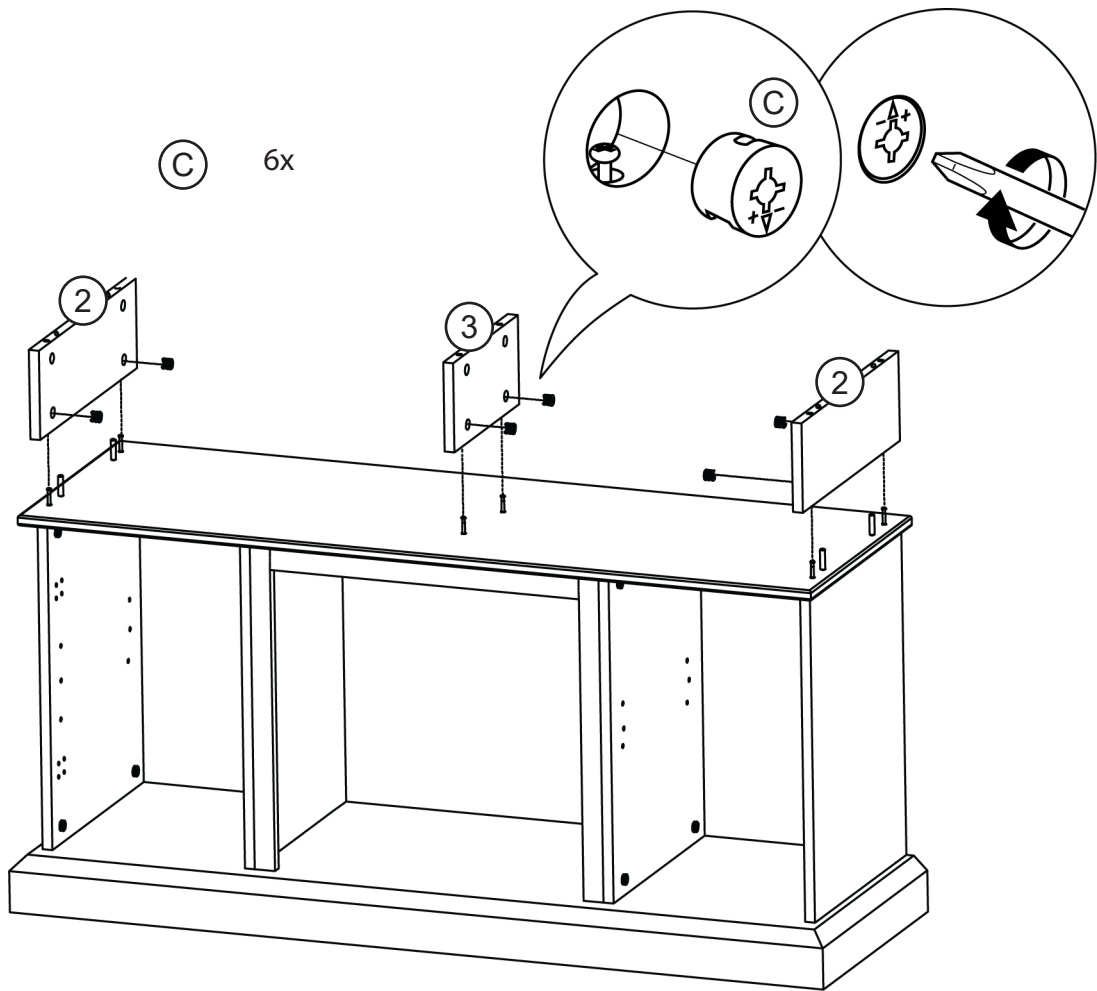
# 8



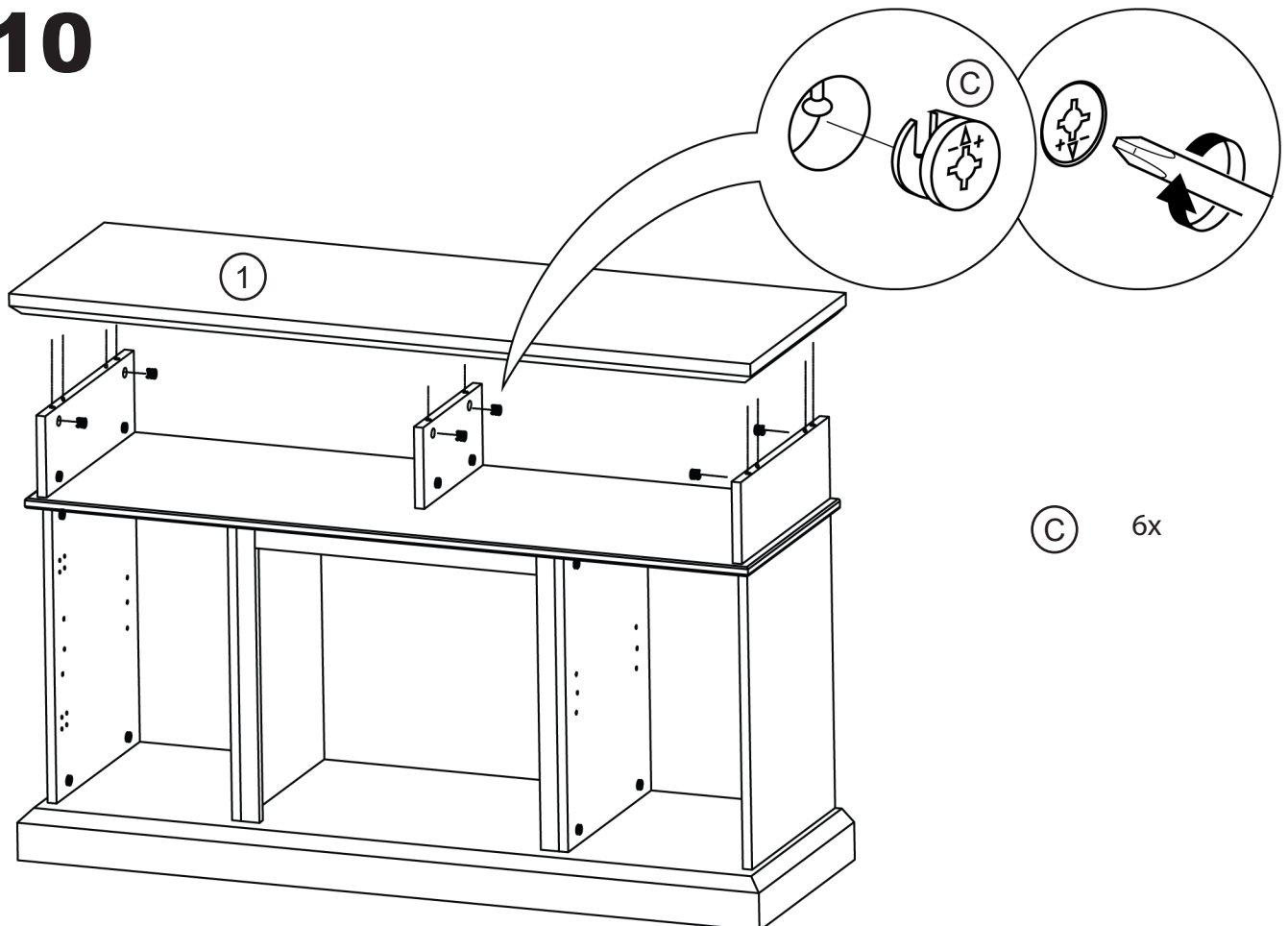
ⓐ 6x

ⓑ 4x

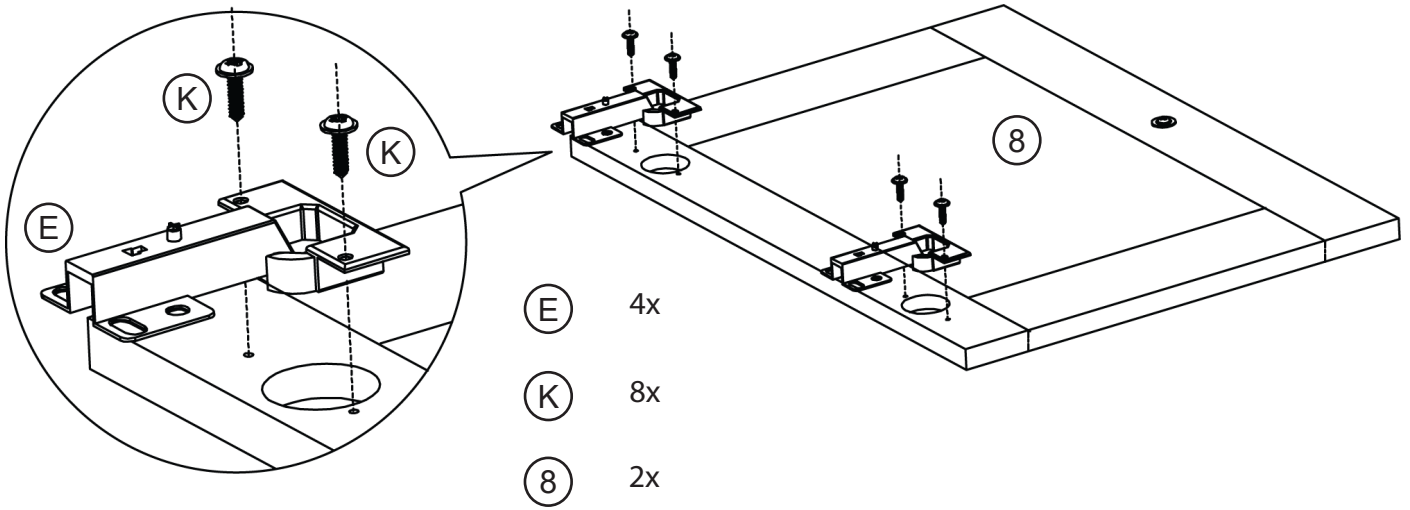
# 9



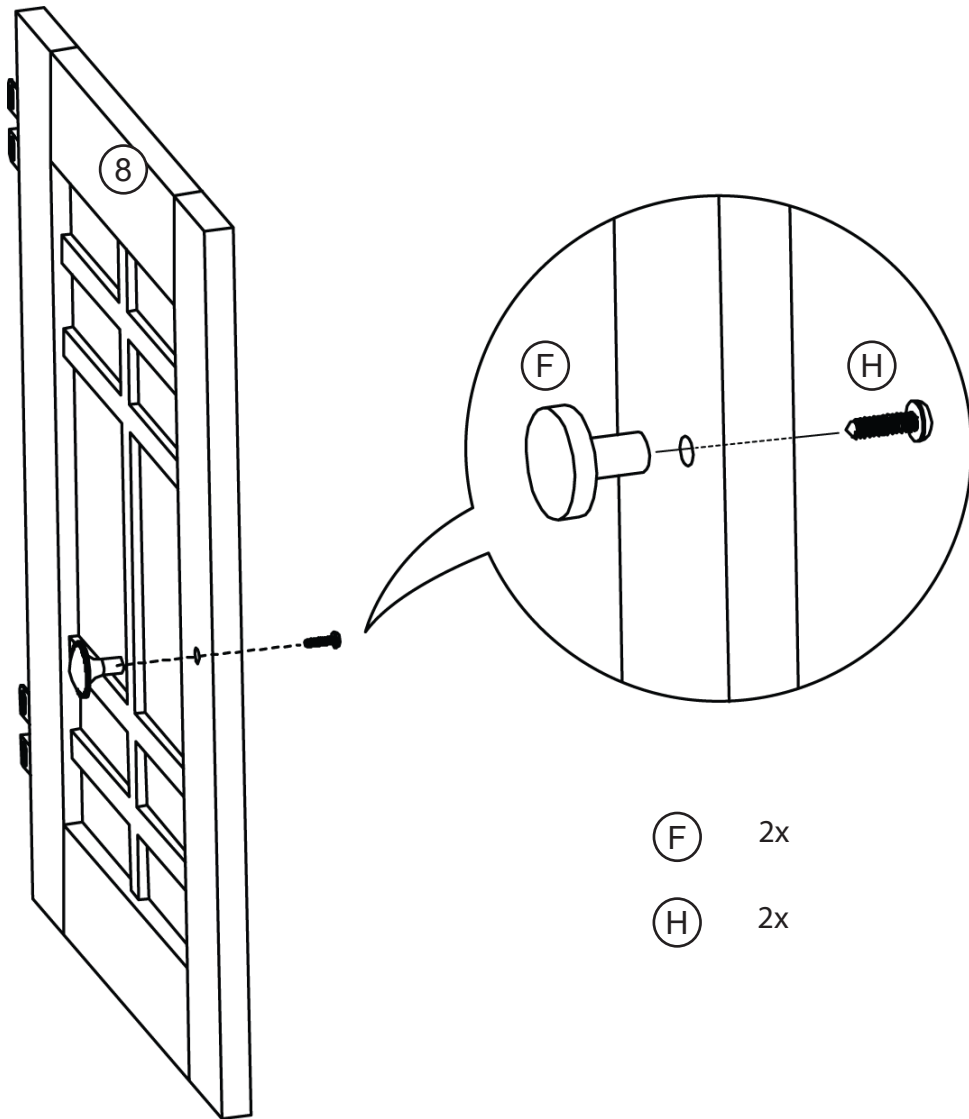
# 10



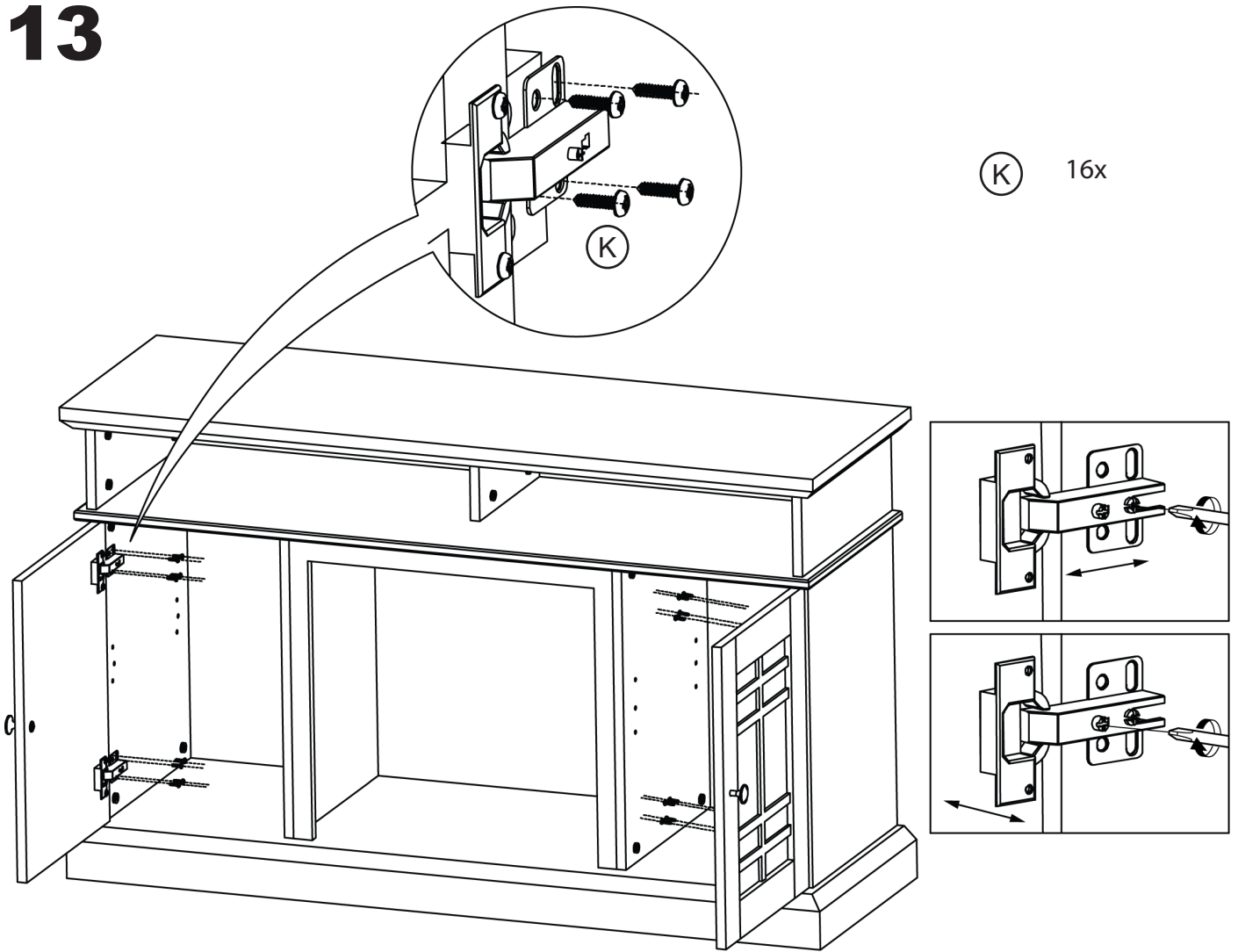
# 11



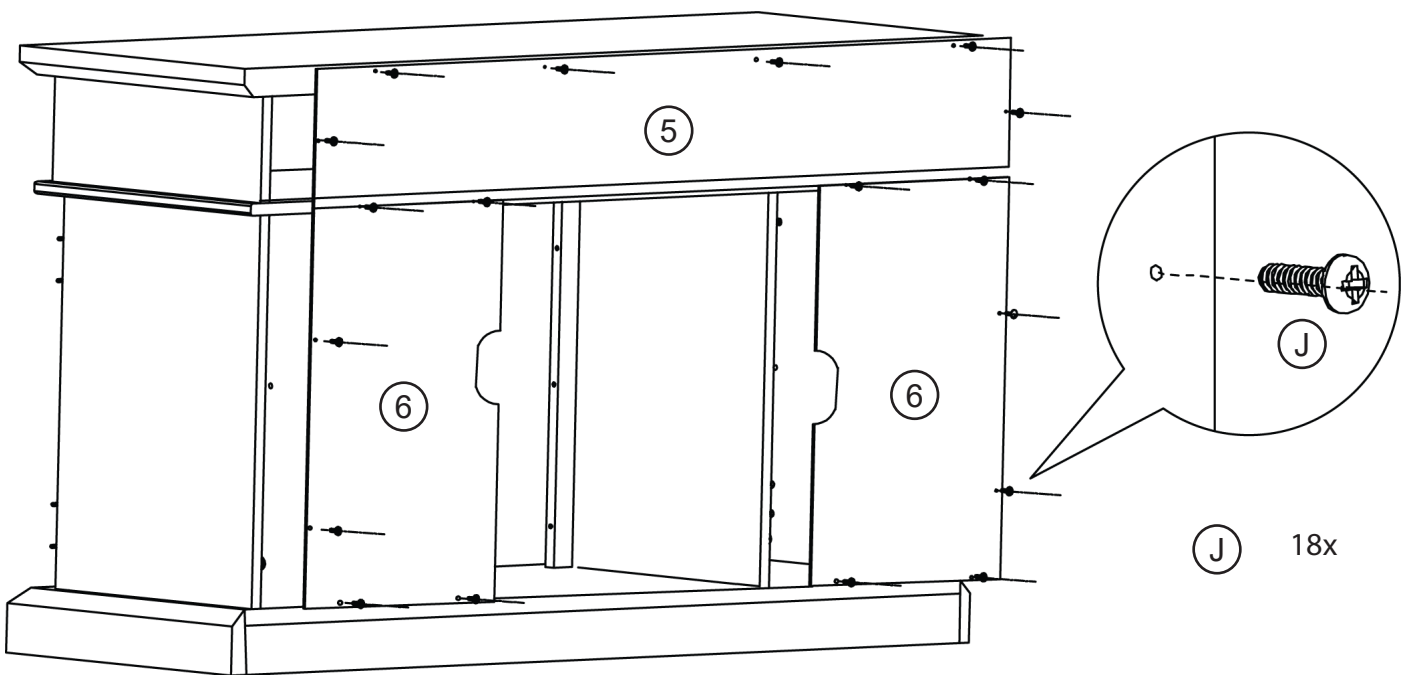
# 12



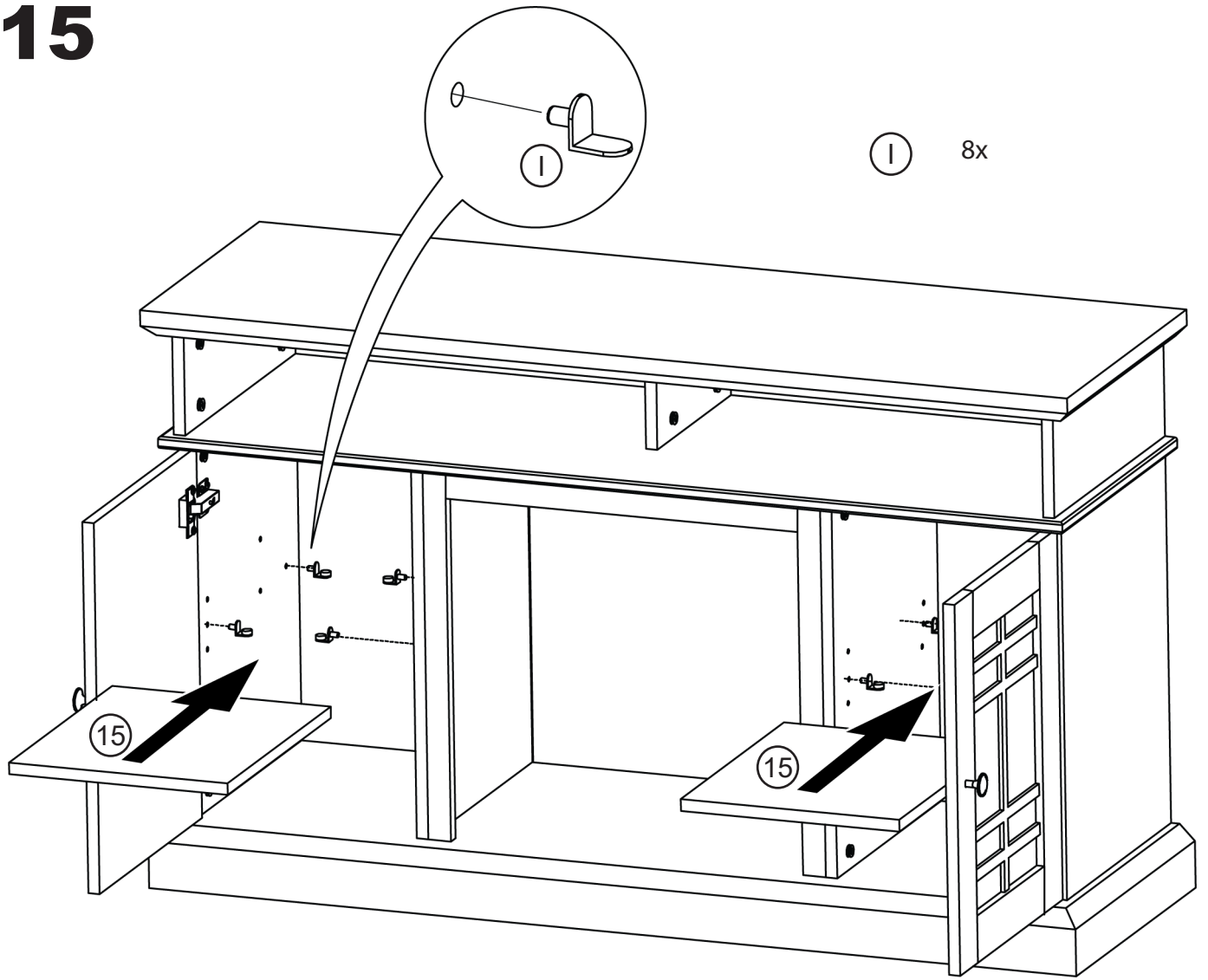
# 13



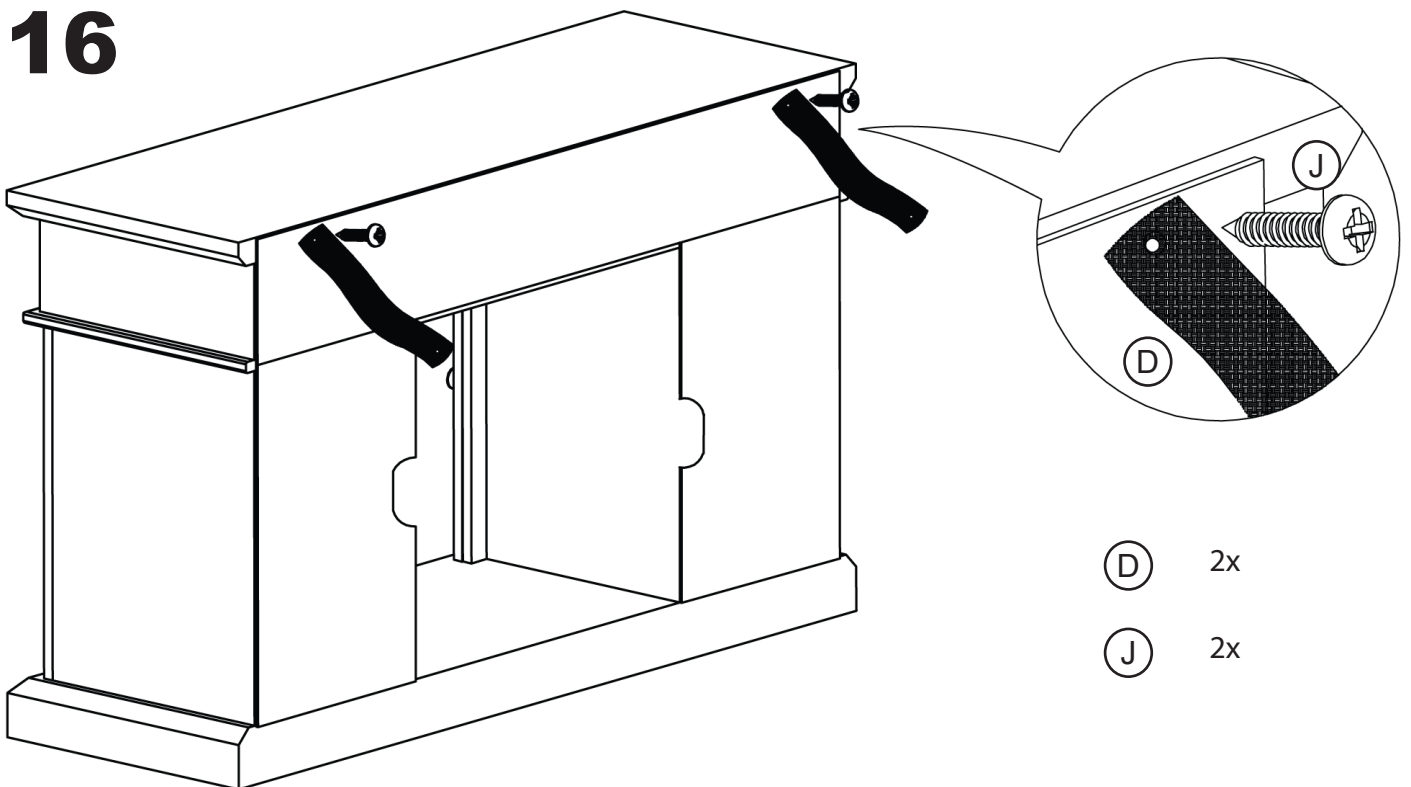
# 14

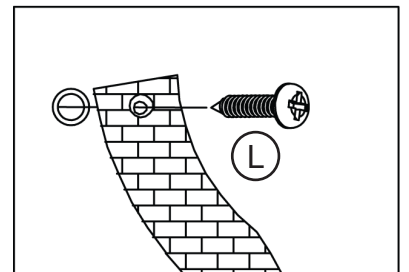
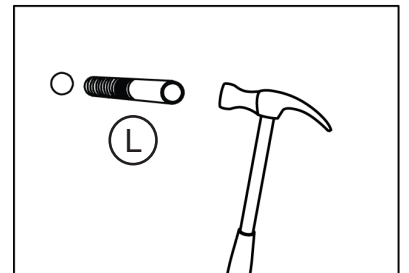
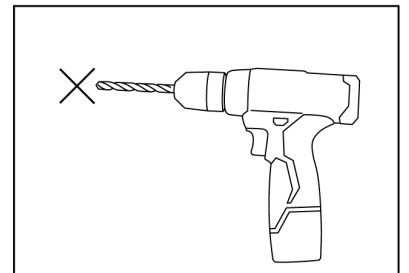
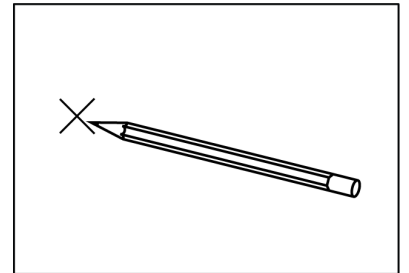
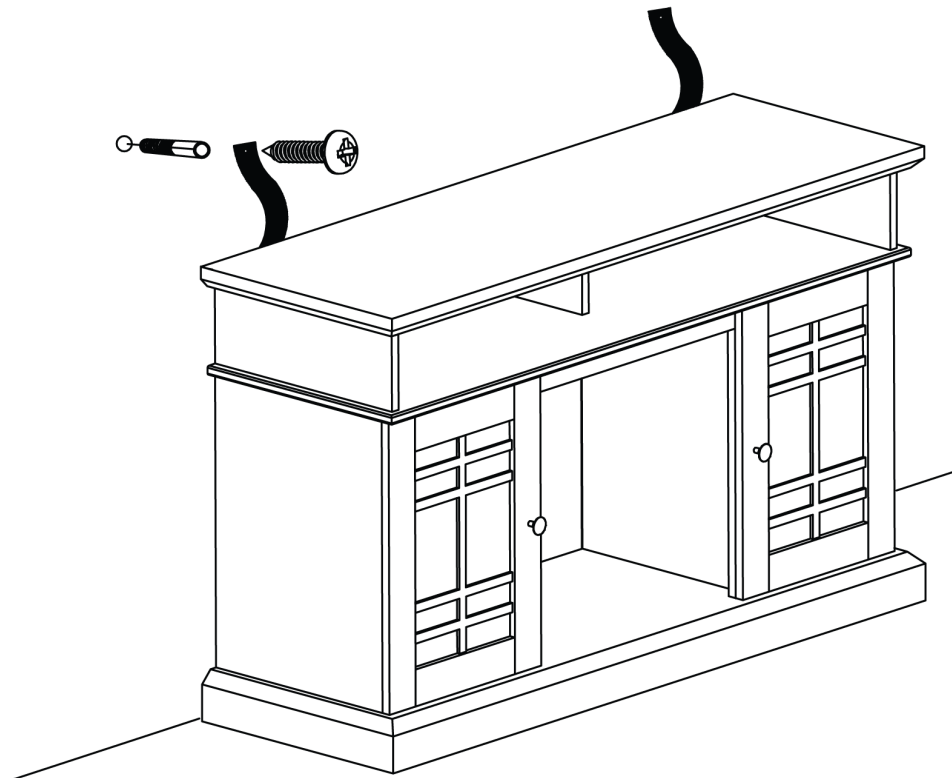


# 15



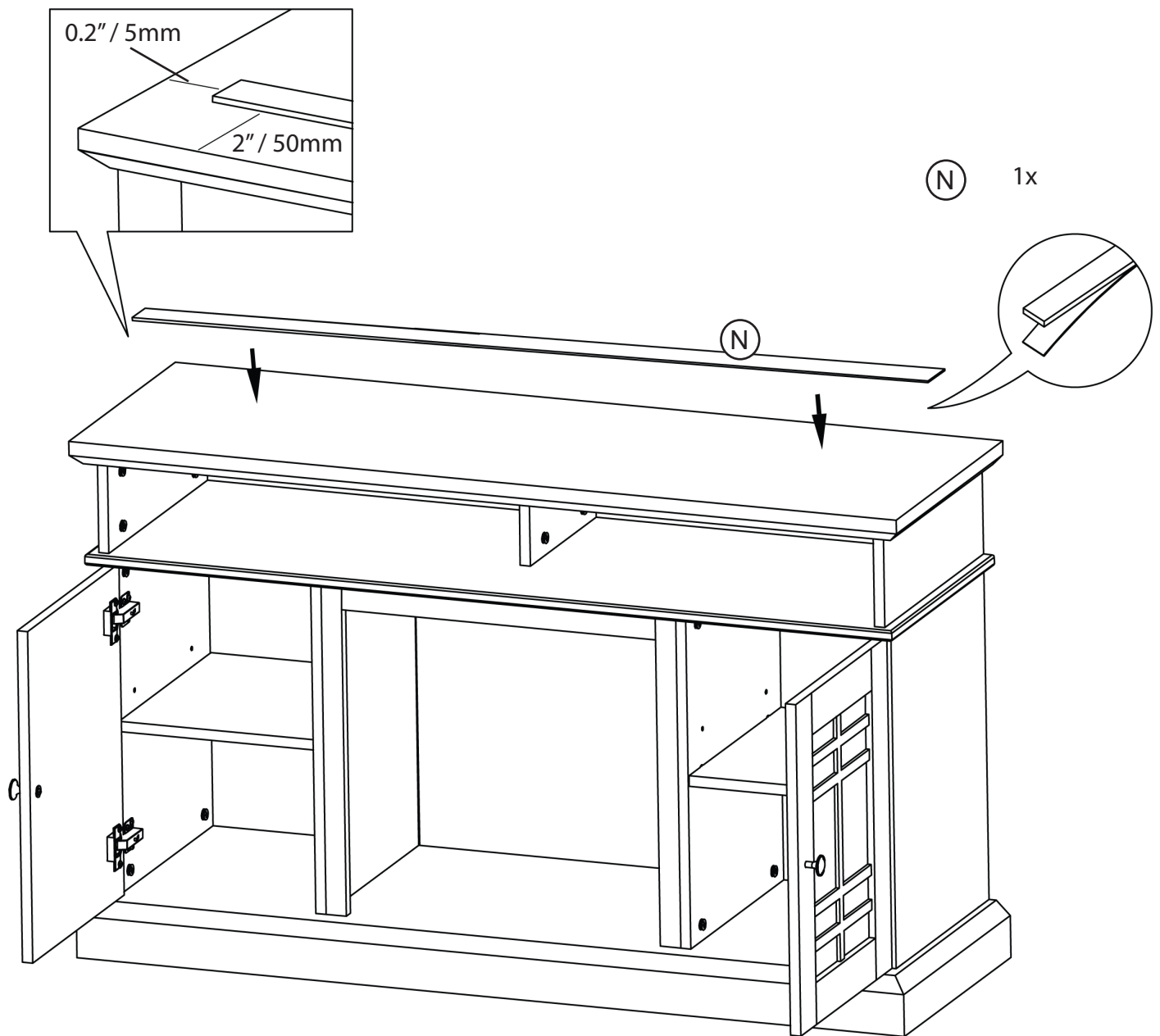
# 16

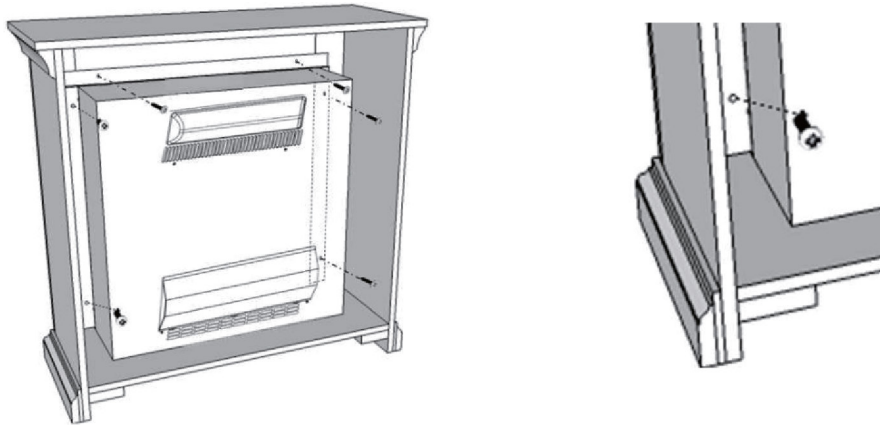




# 18

## OPTIONAL ASSEMBLY





## **FIREPLACE INSTALLATION**

If you decide to install the fireplace into the mantel, carefully set the unit from the back of the mantel and center it in the opening.

Check the alignment and attach the unit to the mantel by inserting screws through the drilled holes on the trim to the mantel.

**NOTE:** Do not attempt to install the unit from the front of the mantel. It will not fit.

Thank you for your purchase. We want your item to last as long as possible. To ensure the product gives you years of service, please refer to this care and maintenance guide.



#### MAINTENANCE

- Tighten all bolts and screws again within the first 2 weeks of assembly.
- Check the tightness of all bolts every 2 months, tighten them if necessary.



#### CLEANING

- Clean the surface of the MDF (medium - density fiberboard) with a lightly dampened cloth.
- Small amount of mild soap can be used if necessary.
- Dry the surface immediately after cleaning.

⚠ DO NOT use bleach or alcohol detergent to clean the surface.

⚠ DO NOT apply wood treatment on parts made with MDF.

Medium - density fiberboard will swell and distort when suffer from water damage. Make sure to dry the furniture immediately after cleaning.

## **Warranty**

Our products come with a 1 year warranty from the date of purchase. In any event that the product arrives damaged or missing parts, we are more than happy to provide you with replacement part(s).