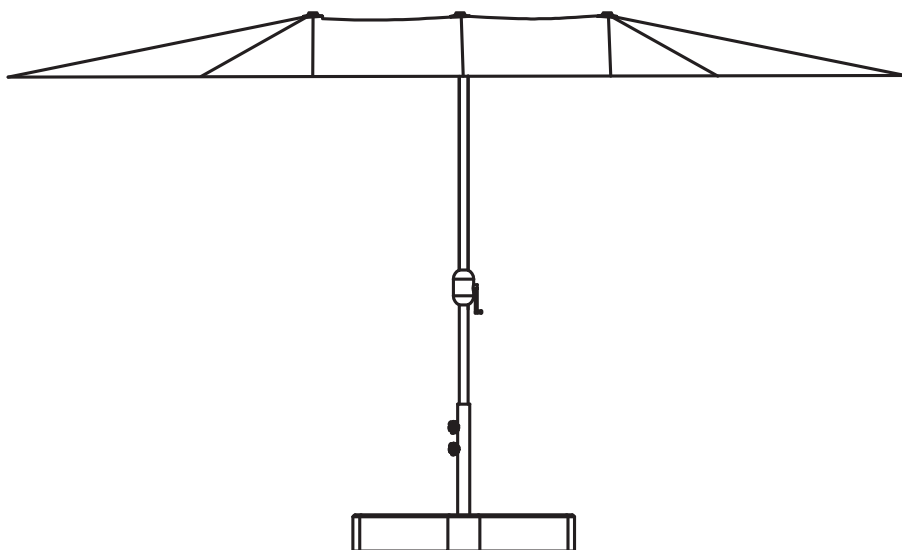


INSTRUCTION MANUAL

Outdoor Sunshade Umbrella



INTRODUCTION

Thanks for purchasing and trusting us with your home decorating plans. This product is a piece of furniture designed and made by us.

We are committed to R&D and innovation and creating the most exquisite and diverse outdoor series.

After unpacking and before each use, check whether the item shows any counter bores. In addition, check that you have all parts and hardware before assembly. If there is any damage, please do not use it and call customer service or email. If you do not have all the parts lists, have your dealer contact us and we will send them to you immediately.

This item of furniture is intended for indoor and outdoor use. Please take the time to read and follow the instructions below. Then, use this item as described in this operating manual. We accept no liability for damage caused by improper use.

ASSEMBLY INSTRUCTIONS

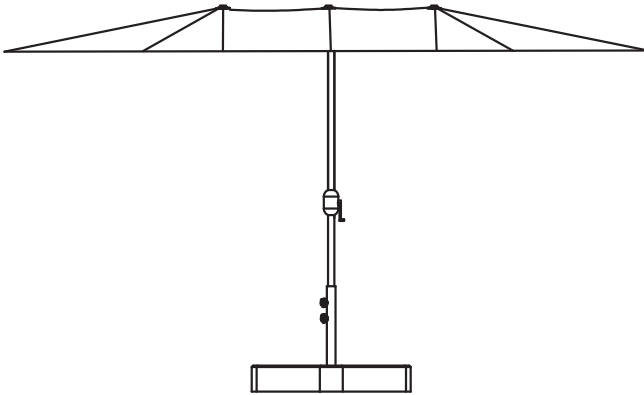
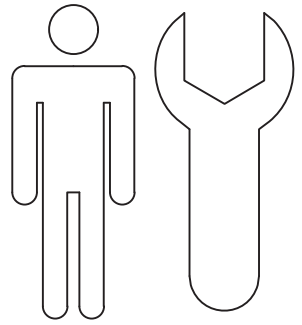
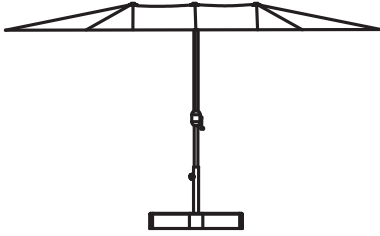
PLEASE READ THESE INSTRUCTIONS COMPLETELY BEFORE STARTING ASSEMBLY






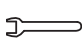




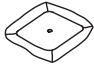

- Please separate and identify all parts, making sure that you have all of the parts listed.
- Keep children away during assembly. This item contains small parts which can be swallowed by children.
- Should you experience any difficulty during assembly or if any parts are missing or damaged, - contact service center. Should please provide the following information:
 - 1-Model number of the product.
 - 2-Part number and material code of the part from the parts list.
- Most problems can be resolved without returning this product to the retailer.
- Retain the assembly instructions for future reference.



CAUTION

- To clean your canopy, use only mild liquid soap and water, and a soft sponge to loosen and dirt. Never use bleach or cleaning solvents as it will discolor your canopy. Use a mild soap and cloth to clean your aluminum or steel frame.
- Allow umbrella to dry naturally in an open position.
- It is always recommended that an umbrella cover be used when not in use, as prolonged exposure to the sun's rays will eventually cause canopy fading or discoloring.
- We recommend that this product be closed and secured during high winds and heavy rain conditions.



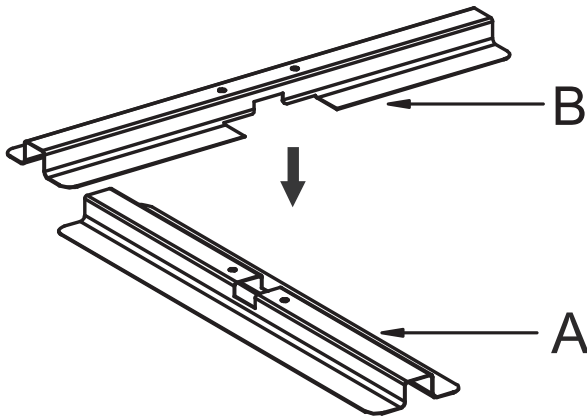
Part Number	Images and Sizes	Qty.						
A		1						
B		1						
C		1						
D		4						
E		4						
F		1						
L		1	J		2	G		4
M		1	K		1	H		4

ASSEMBLY INSTRUCTIONS



CAVEAT

Note: Please only tighten any bolts once all bolts are placed correctly and the product is lying flat. If you tighten one bolt, it may cause other bolts to get out of position.



STEP 1

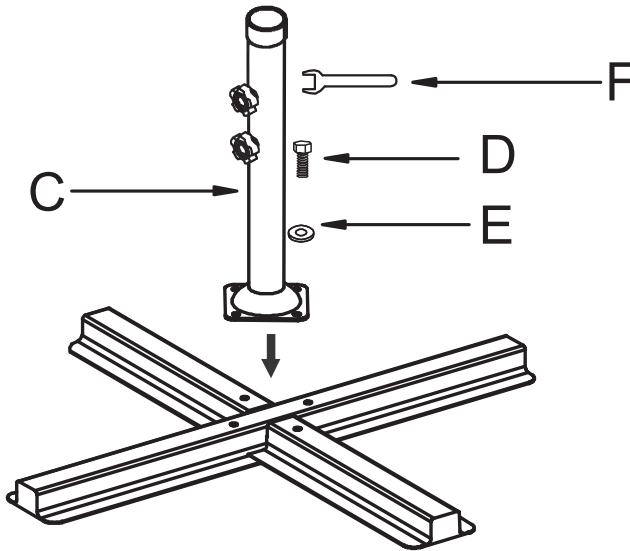
Align base frame (B) with the buckle of base frame (A) and buckle.

ASSEMBLY INSTRUCTIONS



CAVEAT

Note: Please only tighten any bolts once all bolts are placed correctly and the product is lying flat. If you tighten one bolt, it may cause other bolts to get out of position.



STEP 2

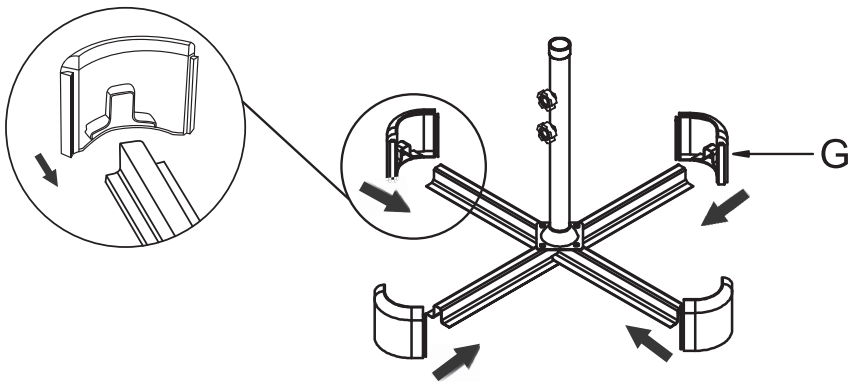
Attach umbrella column (C) to base frame (A&B) using 4 bolts (D) and 4 washers (E). Do not over-tighten them.

ASSEMBLY INSTRUCTIONS



CAVEAT

Note: Please only tighten any bolts once all bolts are placed correctly and the product is lying flat. If you tighten one bolt, it may cause other bolts to get out of position.



STEP 3

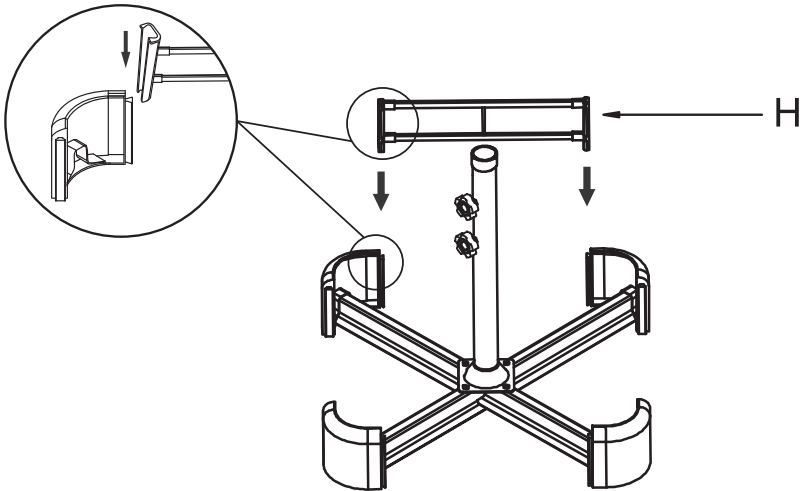
Install 4 plastic frames (G), just snap it into place with the base frame.

ASSEMBLY INSTRUCTIONS



CAVEAT

Note: Please only tighten any bolts once all bolts are placed correctly and the product is lying flat. If you tighten one bolt, it may cause other bolts to get out of position.



STEP 4

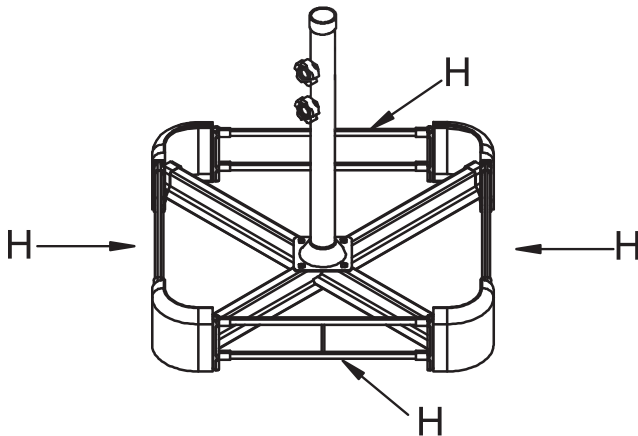
Attach connector (H) to 2 plastic frames, align the buckle and snap it in place.

ASSEMBLY INSTRUCTIONS



CAVEAT

Note: Please only tighten any bolts once all bolts are placed correctly and the product is lying flat. If you tighten one bolt, it may cause other bolts to get out of position.



STEP 5

Install the remaining 3 connectors (H) in the same way.

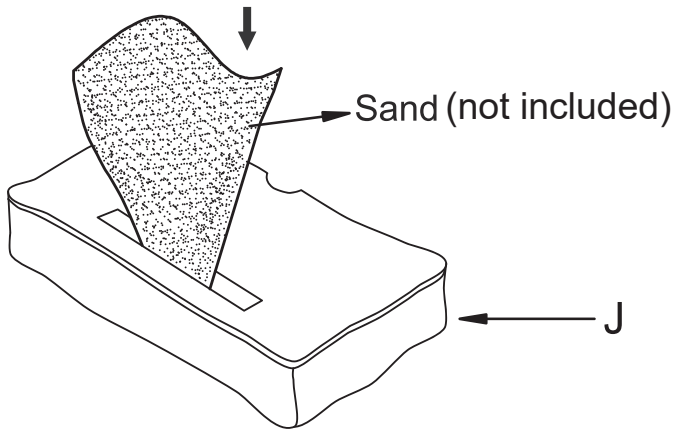
Upon completing the entire assembly and bolting up, you can tighten down all screws.

ASSEMBLY INSTRUCTIONS



CAVEAT

Note: Please only tighten any bolts once all bolts are placed correctly and the product is lying flat. If you tighten one bolt, it may cause other bolts to get out of position.



STEP 6

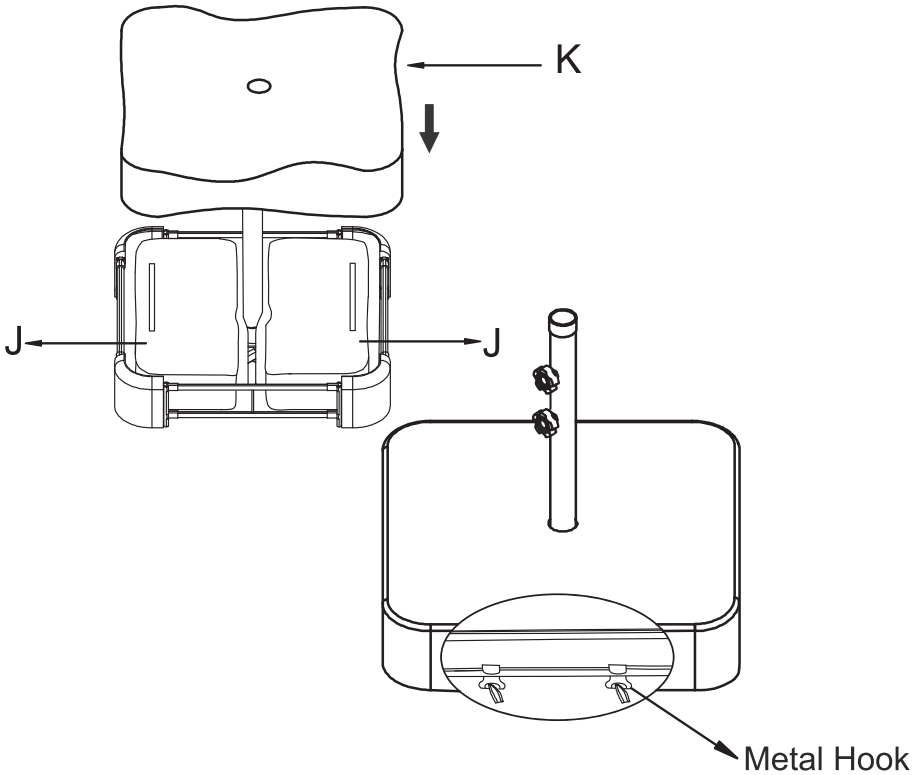
Fill 2 sandbags (J) with sand (not included). For proper stability of your offset umbrella. The recommended minimum weight of the sand to be placed into each sand bag is 67.5 lbs for a total of 135 lbs.

ASSEMBLY INSTRUCTIONS



CAVEAT

Note: Please only tighten any bolts once all bolts are placed correctly and the product is lying flat. If you tighten one bolt, it may cause other bolts to get out of position.



STEP 7

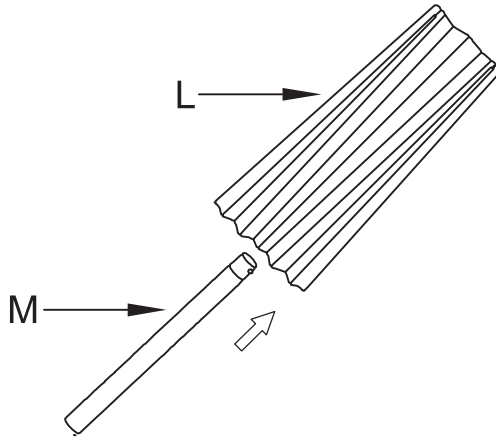
Place the 2 sandbags (J) filled with sand into the base and cover it with the base cover (K).

ASSEMBLY INSTRUCTIONS



CAVEAT

Note: Please only tighten any bolts once all bolts are placed correctly and the product is lying flat. If you tighten one bolt, it may cause other bolts to get out of position.



STEP 8

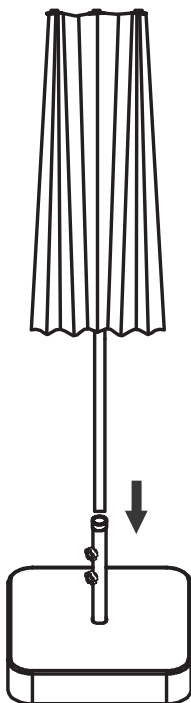
Install the umbrella pole (M) to the umbrella (L).

ASSEMBLY INSTRUCTIONS



CAVEAT

Note: Please only tighten any bolts once all bolts are placed correctly and the product is lying flat. If you tighten one bolt, it may cause other bolts to get out of position.



STEP 9

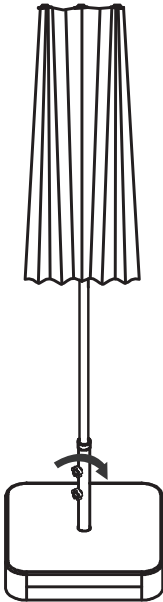
Connect the umbrella and umbrella pole installed in the previous step.

ASSEMBLY INSTRUCTIONS



CAVEAT

Note: Please only tighten any bolts once all bolts are placed correctly and the product is lying flat. If you tighten one bolt, it may cause other bolts to get out of position.



CAUTION: Fully tighten the two bolts.

STEP 10

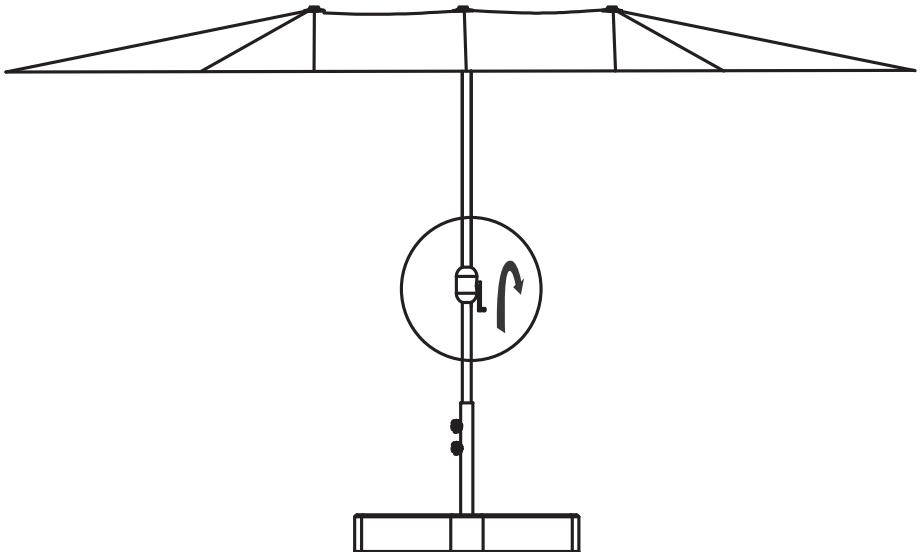
Fully tighten the 2 bolts.

ASSEMBLY INSTRUCTIONS



CAVEAT

Note: Please only tighten any bolts once all bolts are placed correctly and the product is lying flat. If you tighten one bolt, it may cause other bolts to get out of position.



STEP 11

Turn the knob to open the umbrella.

CARE AND MAINTENANCE

Follow the instructions for the product's material to ensure it stays in the best shape as long as possible. The information below is a general guideline.

Don't hesitate to get in touch with us to learn more.

- Only rinse it thoroughly with clean water to wash away dirt and grime. Never use abrasive cleansers on the furniture since they can attack the surface and leave behind scratch marks.
- For stubborn grime and stains, use a soft sponge and mild soapy water. Then dry it with a cloth or paper towel.
- Check the stability of the screws, nuts, and nut caps before each use. Then, tighten them up after one to two months' use whenever required.
- Avoid improper use, and be careful not to scratch or damage the surface with sharp objects.
- When you move your furniture, lift it rather than pulling or pushing it to avoid damaging the floor, legs, and mounting.