

ASSEMBLING & INSTALLATION INSTRUCTIONS

The drawing shown may not exactly match the product enclosed. However, the installation instructions do apply to this product.

- ◆ **WARNING! SHUT POWER OFF AT FUSE OR CIRCUIT BREAKER.**
- ◆ **ATTENTION! COUPER LE COURANT AU FUSIBLE OU UN DISJONCTEUR.**

ASSEMBLING THE FIXTURE (Fig.1)

1. Shut off the power at the circuit breaker box. Remove old fixture and all hardware from Junction Box.
2. Carefully unpack your new fixture and lay out all the parts on a clear area. Take care not to lose any small parts necessary for installation.
3. Hold the mounting plate up against ceiling junction box, aligning the junction box two thread holes and adjust to the appropriate location, use a pencil to mark the wood Screw holes, remove the mounting plate, then drilled holes and loaded plastic anchors. Attach the mounting plate to the junction box with two junction box screws and three wood screws as shown, tighten screws securely with the screwdriver. The side of the single bar marked "GND" must face to out. **The junction box is not included.**
4. Holding the end cord of shade(C), through the canopy's column coupling, by measuring, determine correct cord length of needed for proper hanging height, then lock it securely with the small screw. **NOTE: SLIDE CORD CLIP TO THE PROPER POSITION, THEN YOU MAY PROPERLY CUT THE CORD TO DESIRED LENGTH. CONNECT THE ELECTRICAL WIRES AS SHOWN IN FIG.2.**
5. While holding the lamp body towards the ceiling, connect the electrical wires as Shown in Fig.2, making sure that all wire nuts are secured. You may have to wrap the connections with electrical tape. If your junction box has a ground wire (green or bare copper), connect the lamp ground wire to it. Otherwise connect lamp's ground wire directly to the mounting plate with the green screw provided. This lamp body provided two copper ground wires, one copper ground wire connects cord's ground wire, other one copper ground wire connects junction box ground wire or mounting plate's green screw. After wires are connected, tuck them carefully inside the junction box.
6. Raise the lamp body's canopy(A) onto the junction box, aligning the pipe thread on mounting plate with mounting hole in canopy and lock it securely with the column nuts(B).
7. Install the light bulbs(Not included) in accordance with the fixture's specifications. **NOTE: DO NOT EXCEED THE SPECIFIED WATTAG!**

Your installation is now complete. Return power to the junction box and test the fixture.

FIG.1

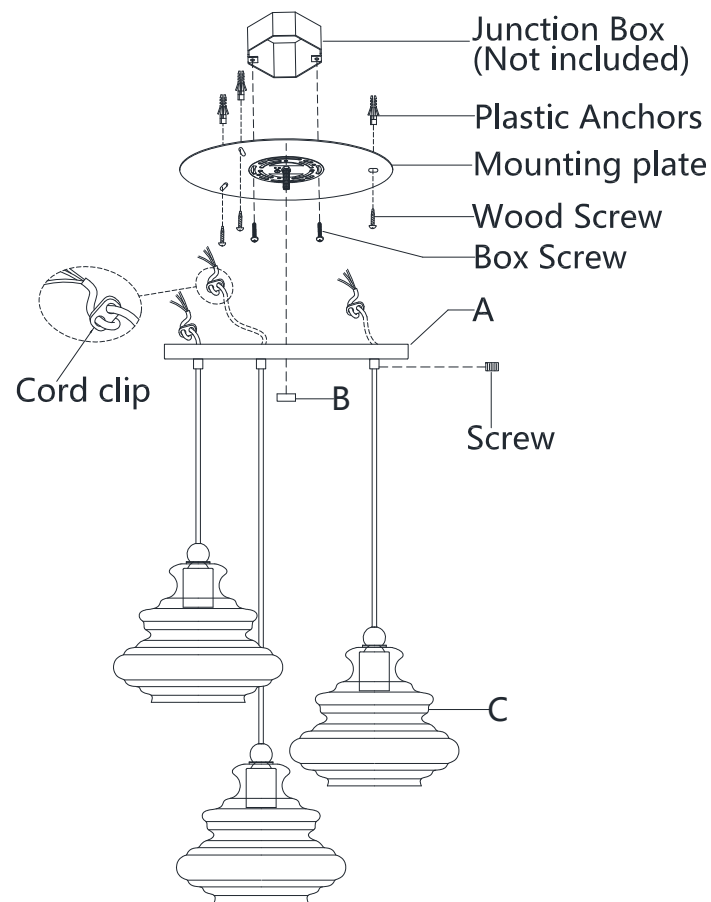


Fig.2

