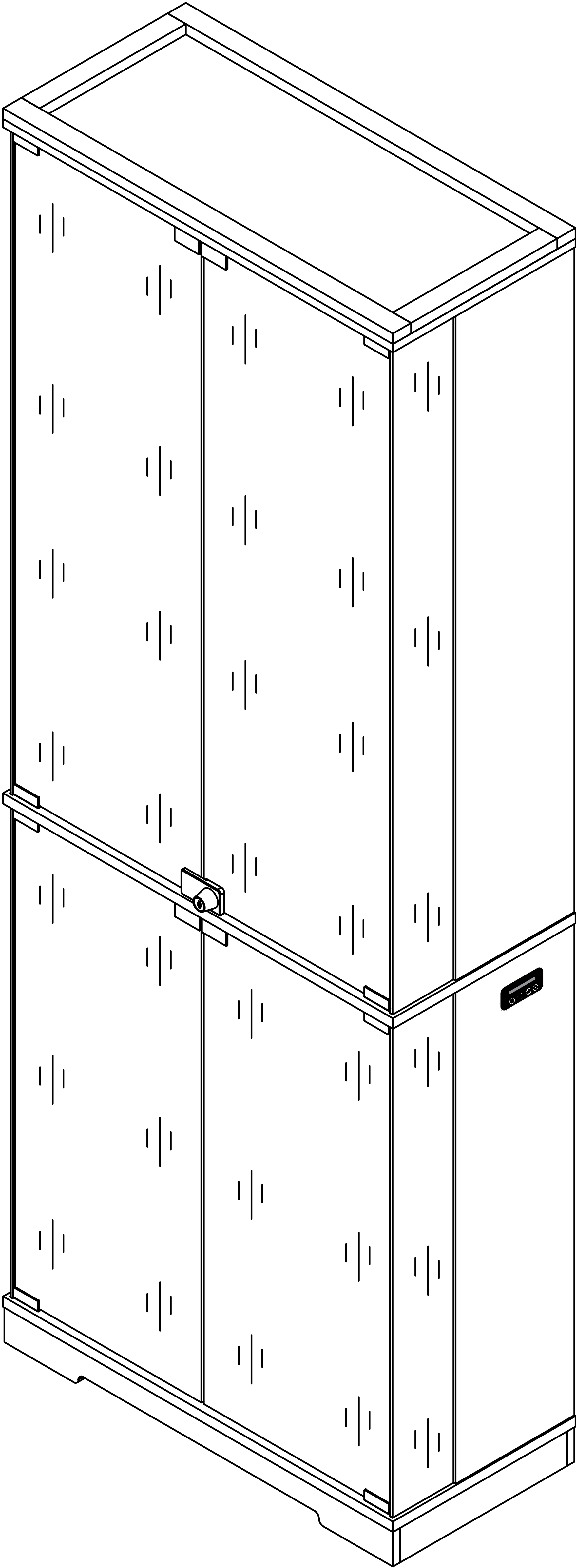
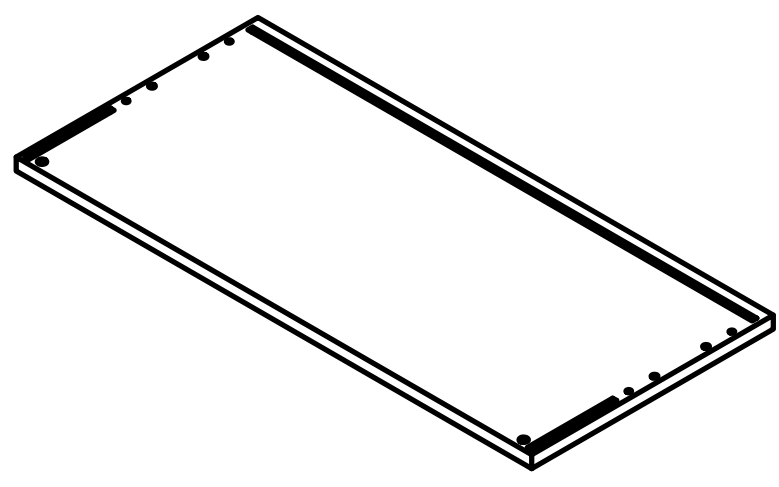
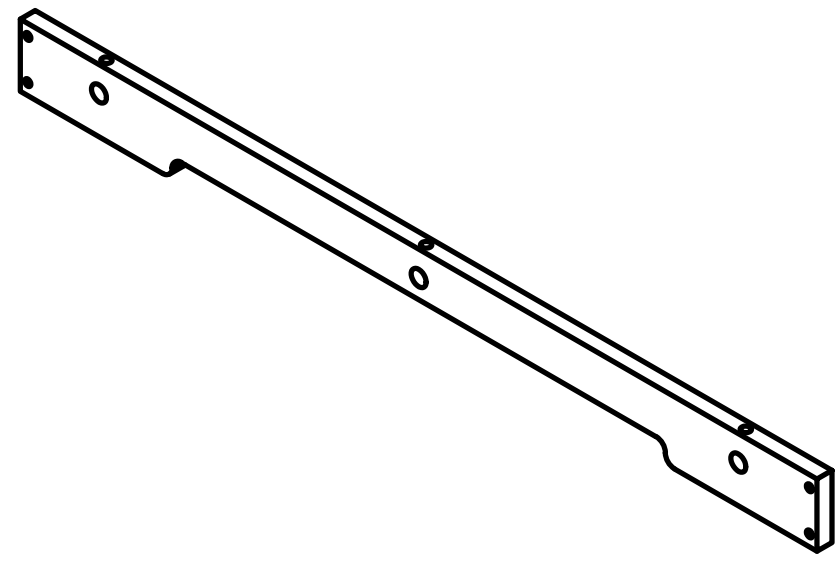


# 80026 Product Installation Instructions

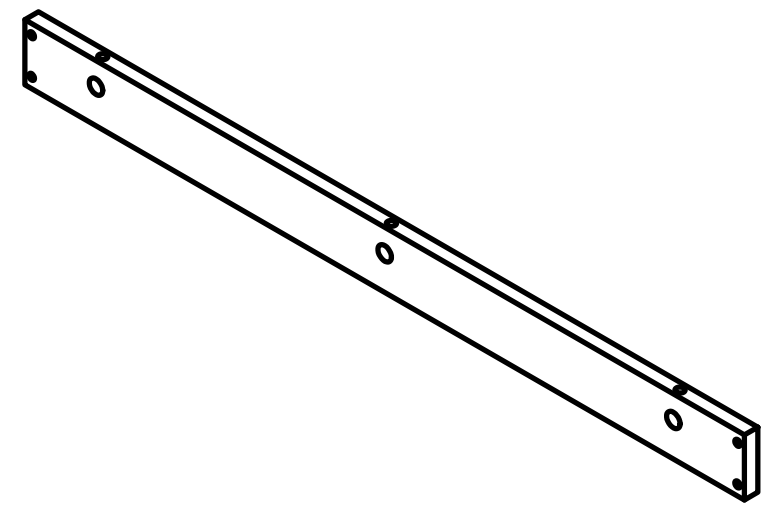




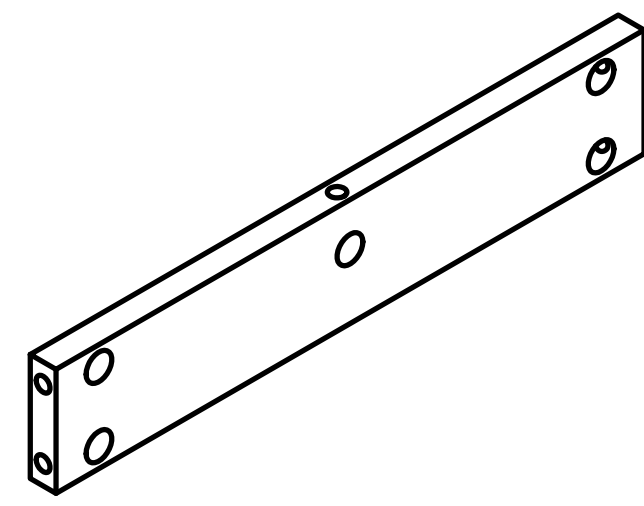
**Ax1**



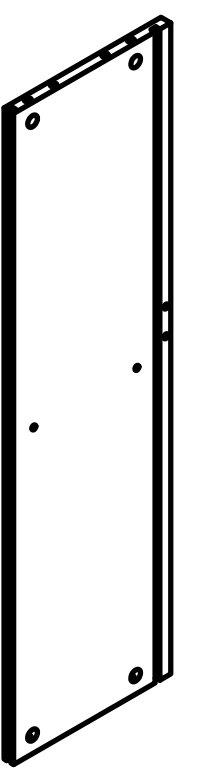
**Bx1**



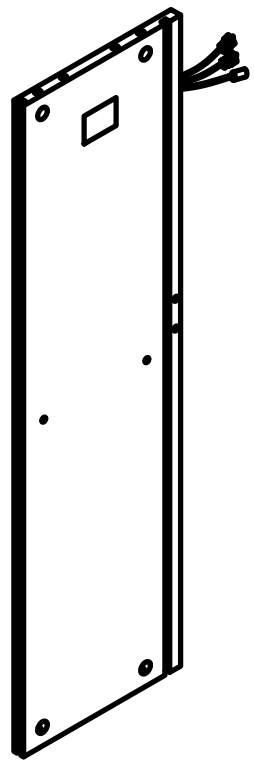
**Cx1**



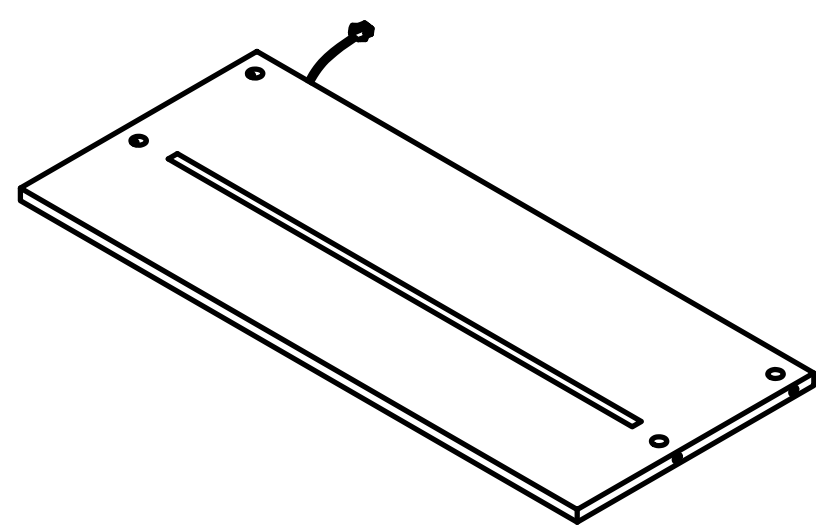
**Dx2**



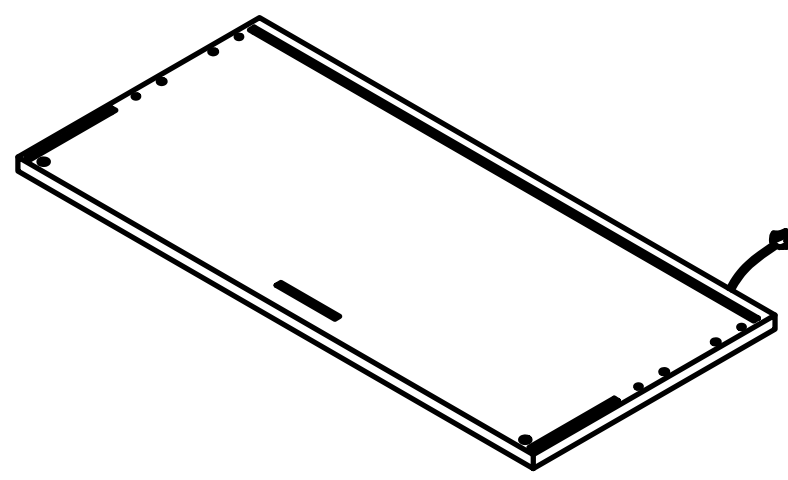
**Ex1**



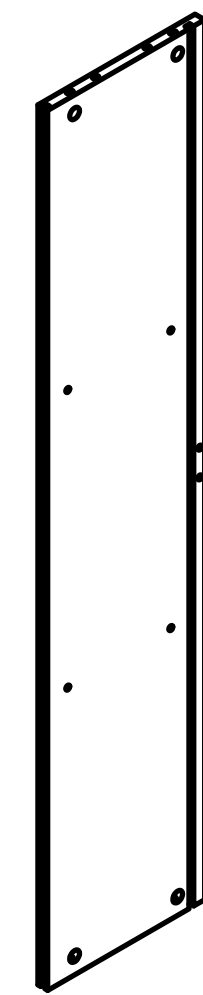
**Fx1**



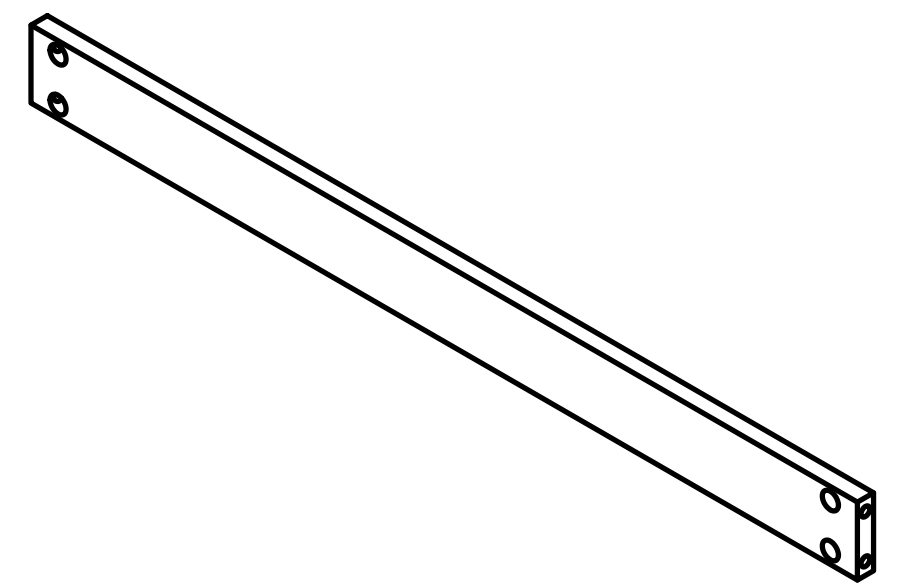
**Gx3** (①'②'③)



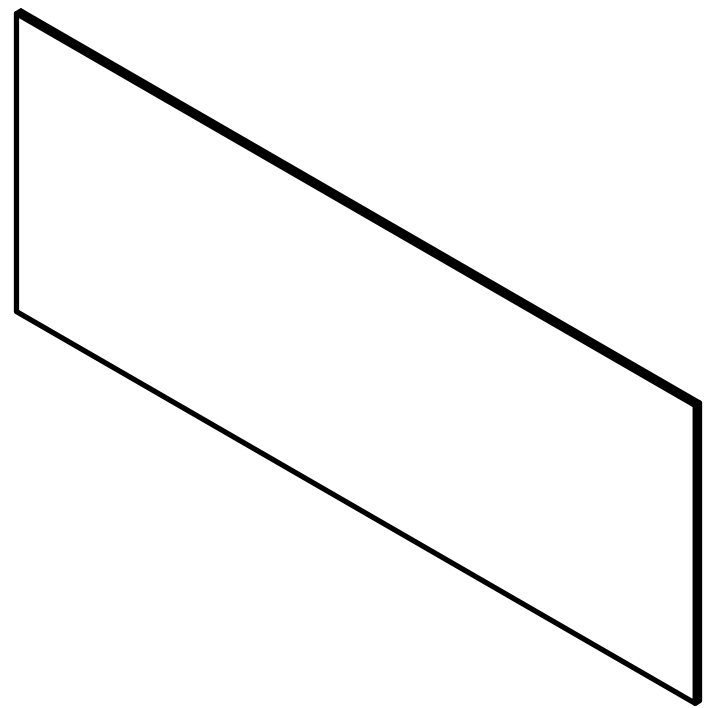
**Hx1**



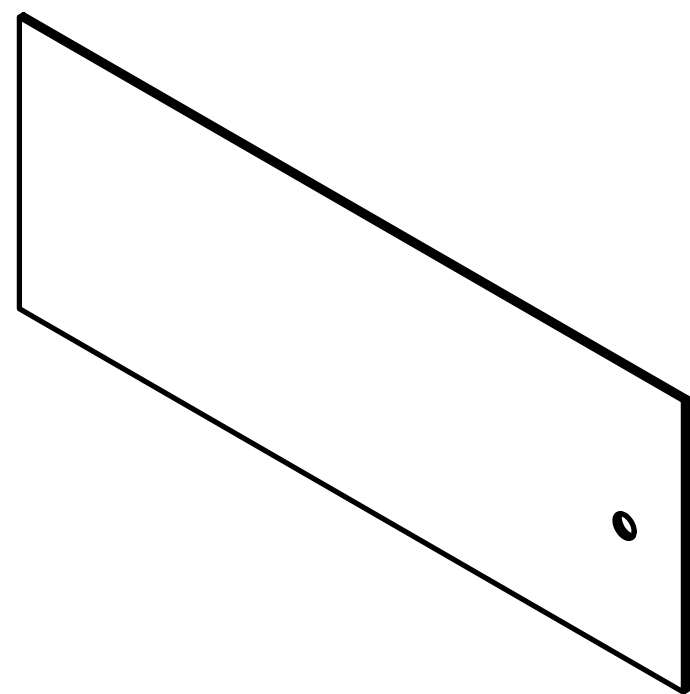
**Ix2**



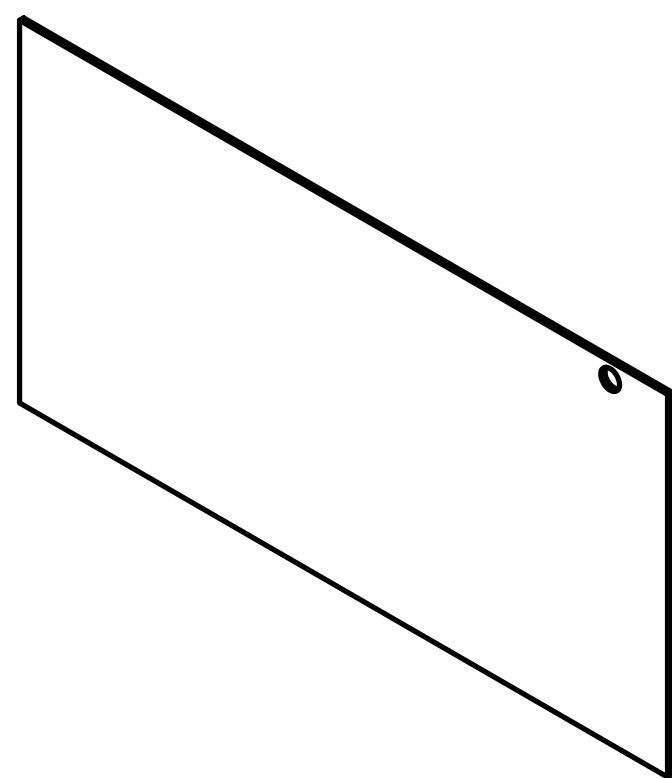
**Jx2**



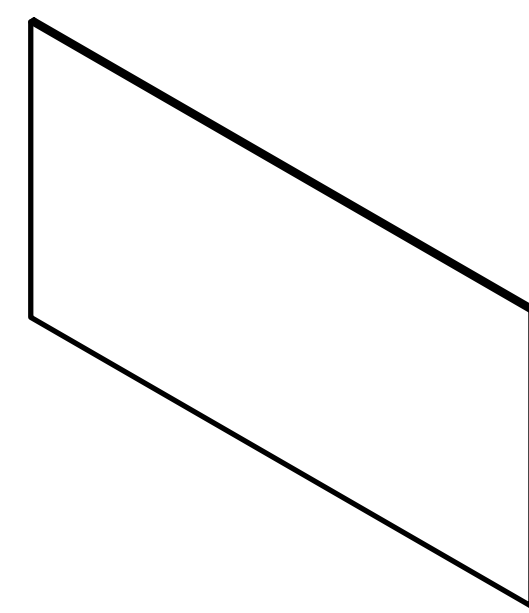
**Kx2**



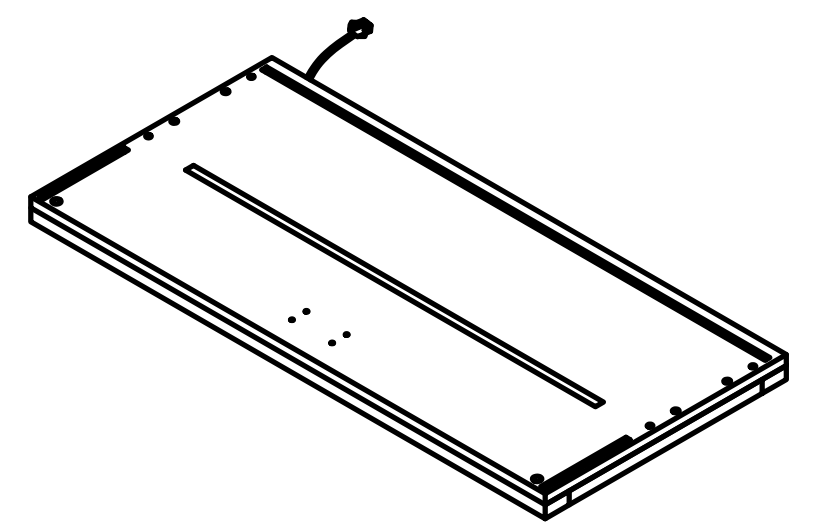
**Lx1**



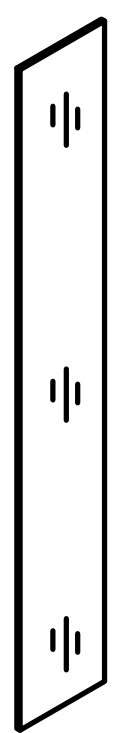
**Mx2**



**Nx1**



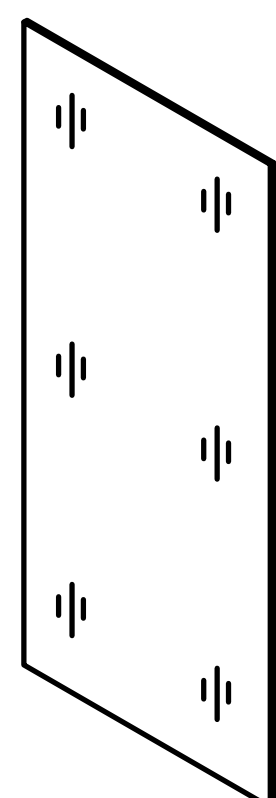
**Ox1**



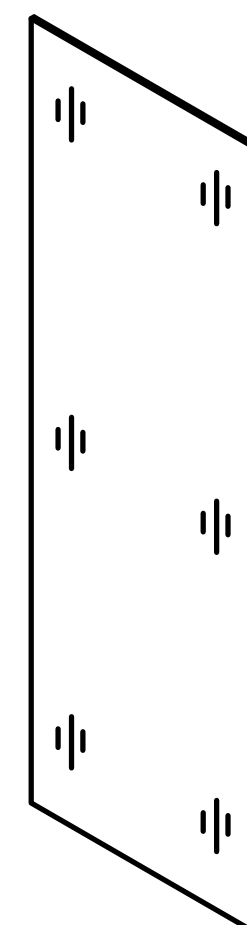
**Px2**



**Qx2**



**Rx2**

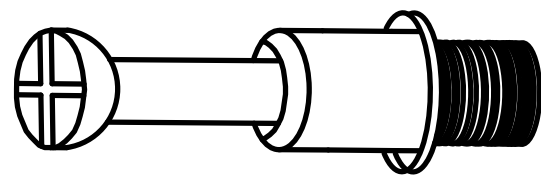
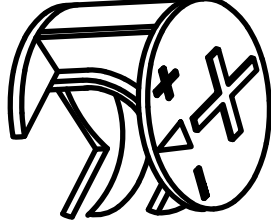
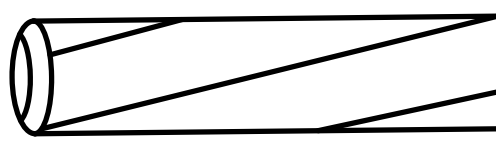

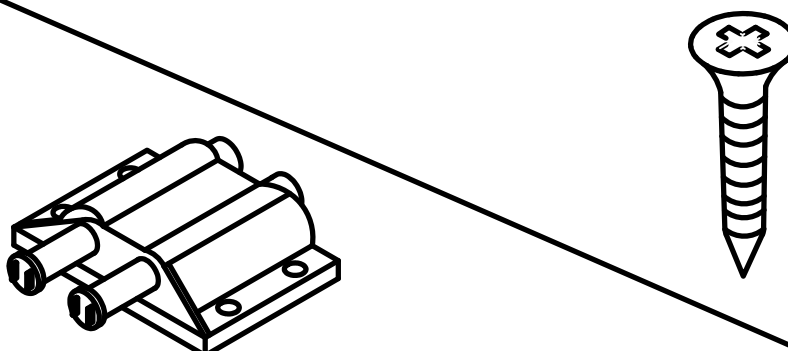
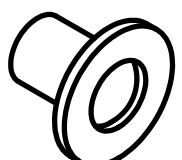
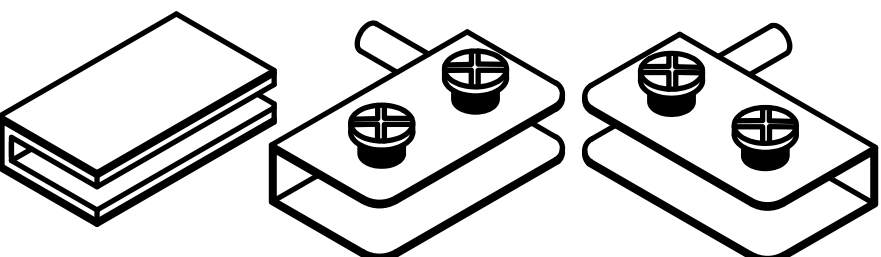
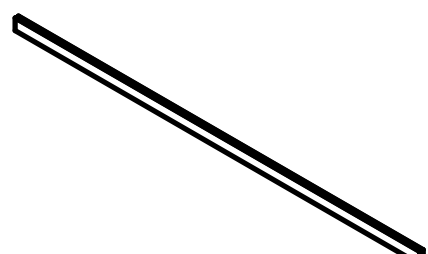
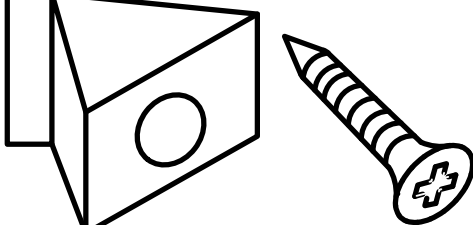
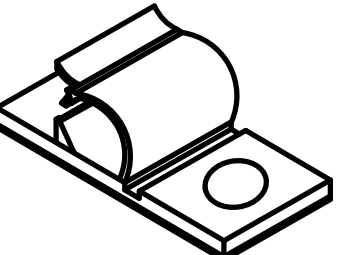
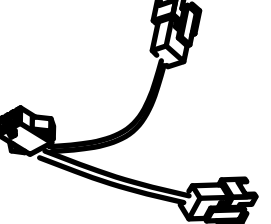
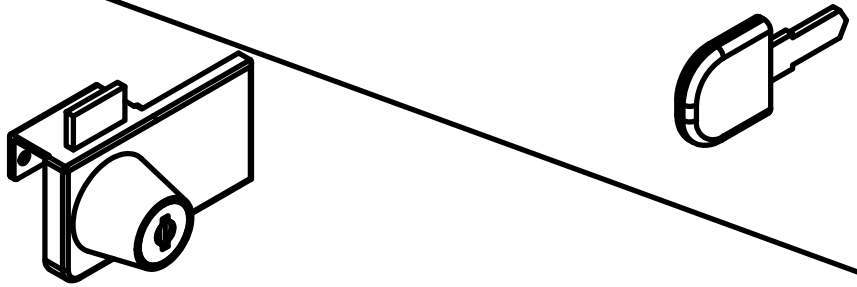
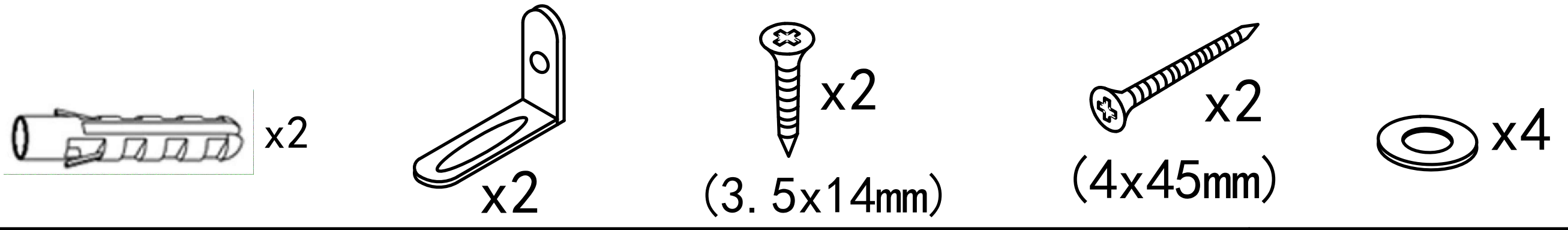
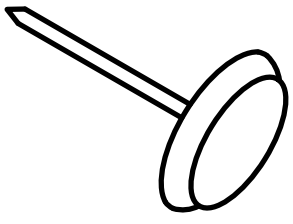
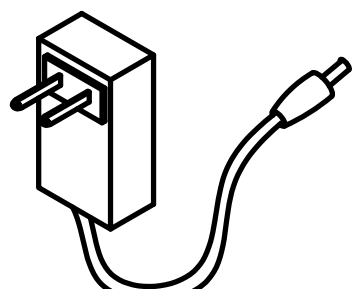


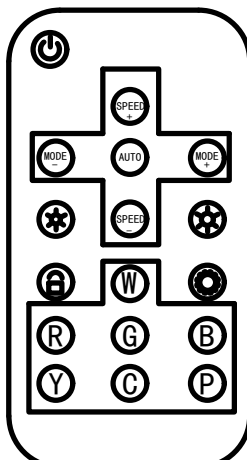
**Sx2**



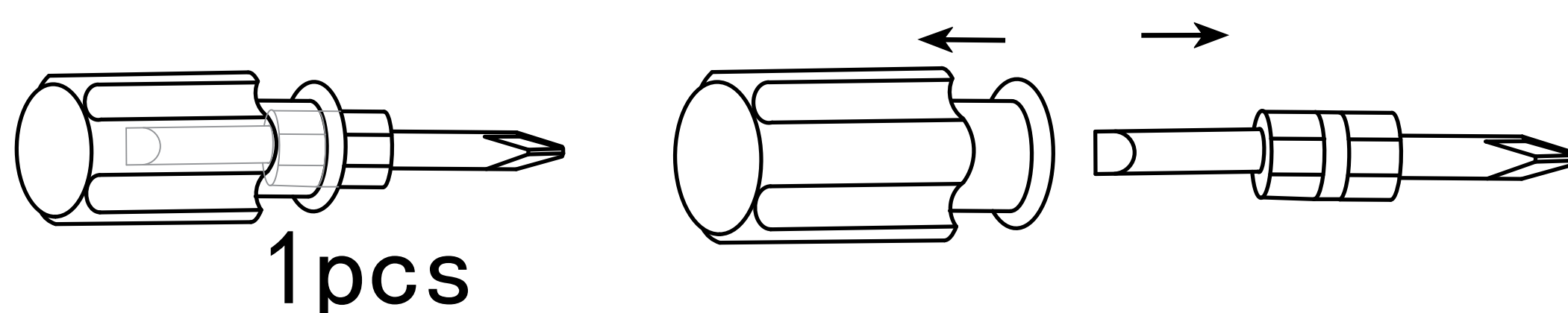
**1**

# Accessories list

①		Two in one screw (6x28mm)	52pcs +5pcs
②		Two in one nut (10x12mm)	52pcs +5pcs
③		Wood chipping (6x30mm)	16pcs +4pcs
④		Non-slip pads	6pcs
⑤		Rebound device & Screw (3x16mm)	8pcs +2pcs 2pcs
		Rubber ring	8pcs
		Iron sheet & Hinge	4pcs
⑥		Backboard card strip(610mm)	2pcs
⑦		Fixing clip & screw (3x16mm)	24pcs +2pcs
⑧		Wire clamp	6pcs +1pcs
⑨		Forked line	3pcs
⑩		Double door glass lock Key	2pcs 1pcs
⑪	Anti Fall Hardware		
⑫		Shelf support peg	4pcs
		AC/DC Adapter (12V=3.0A)	1pcs

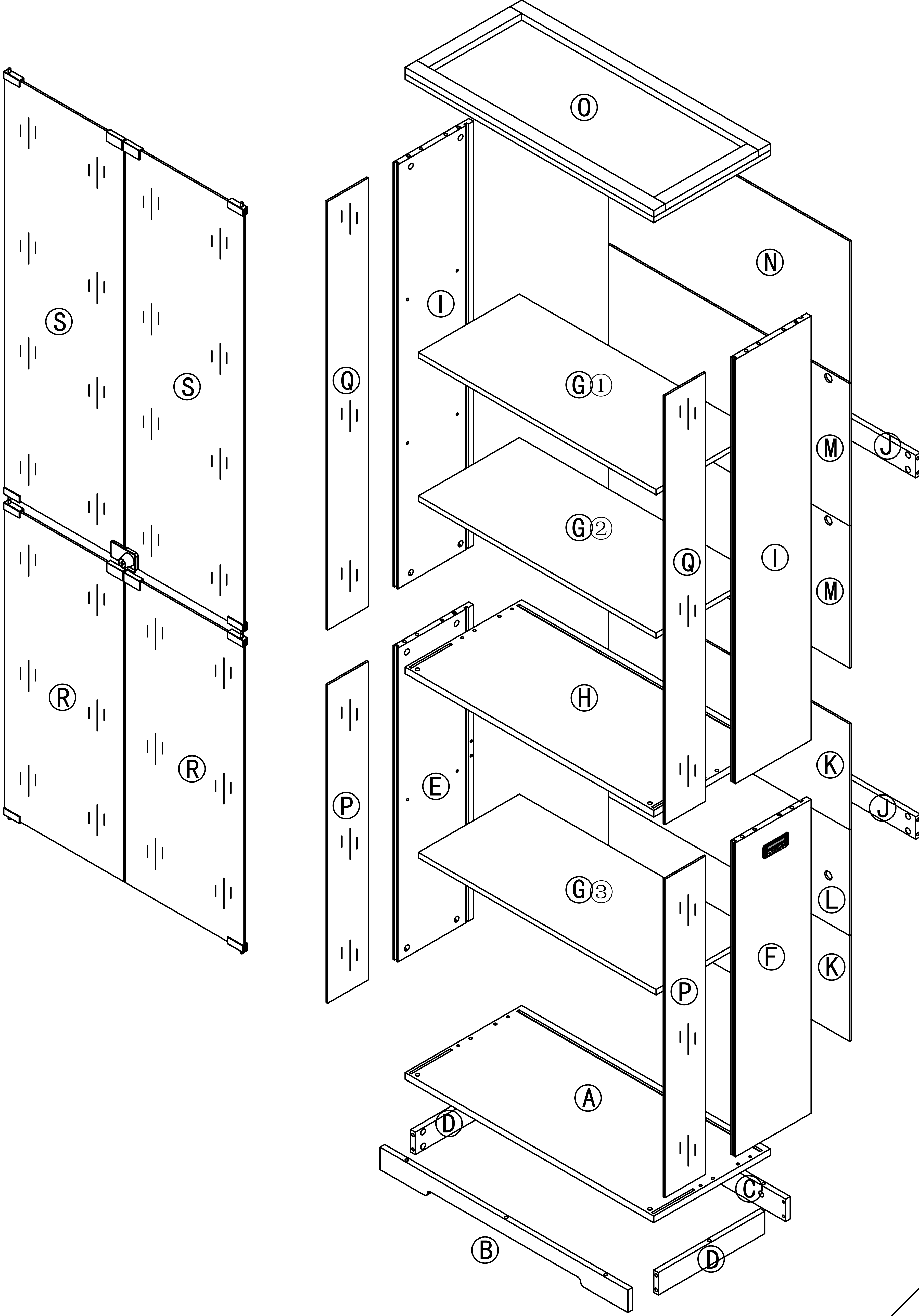
 1pcs  
remote control

Double-head screwdriver, use as required



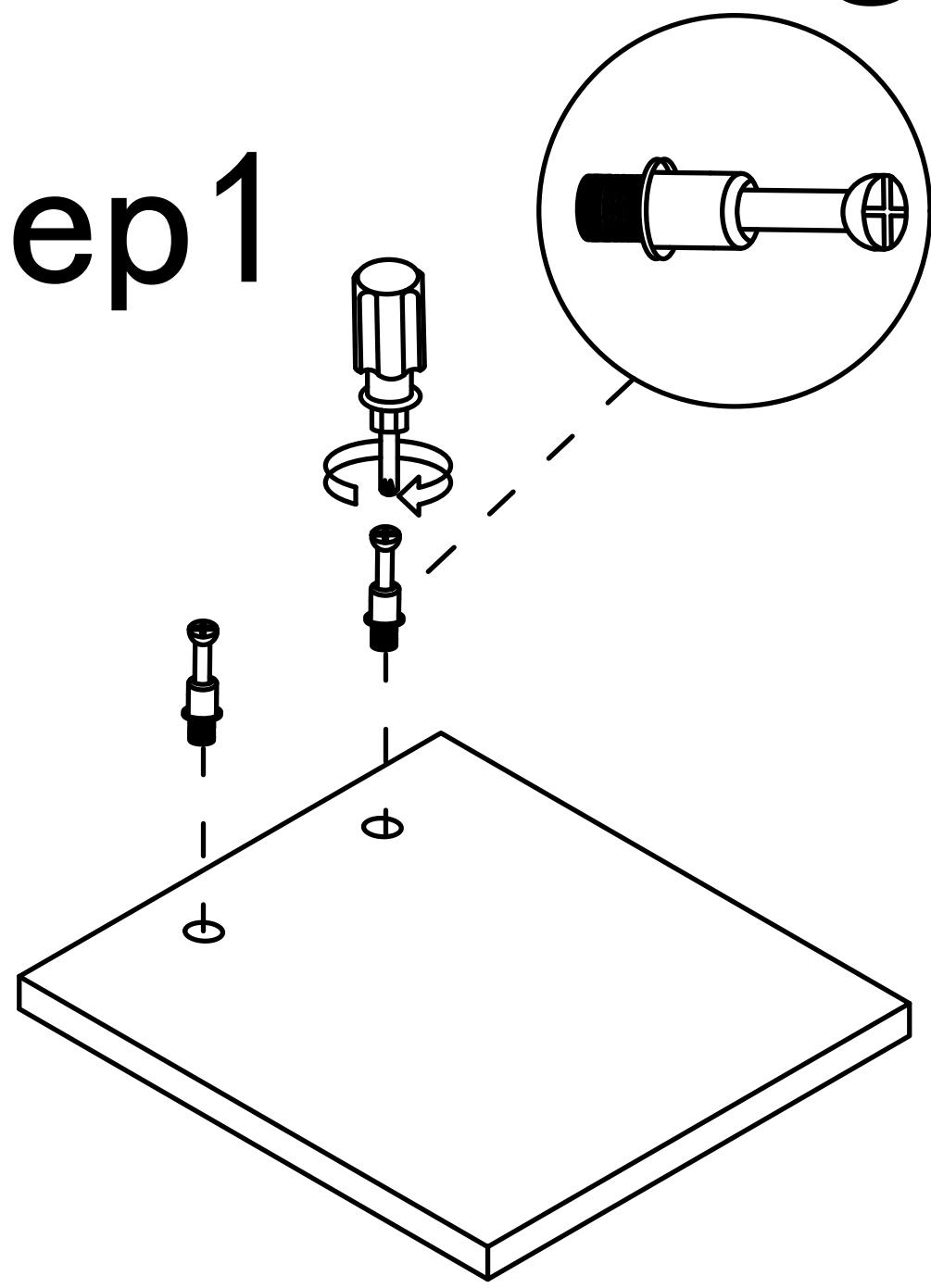
2

# Product structure decomposition

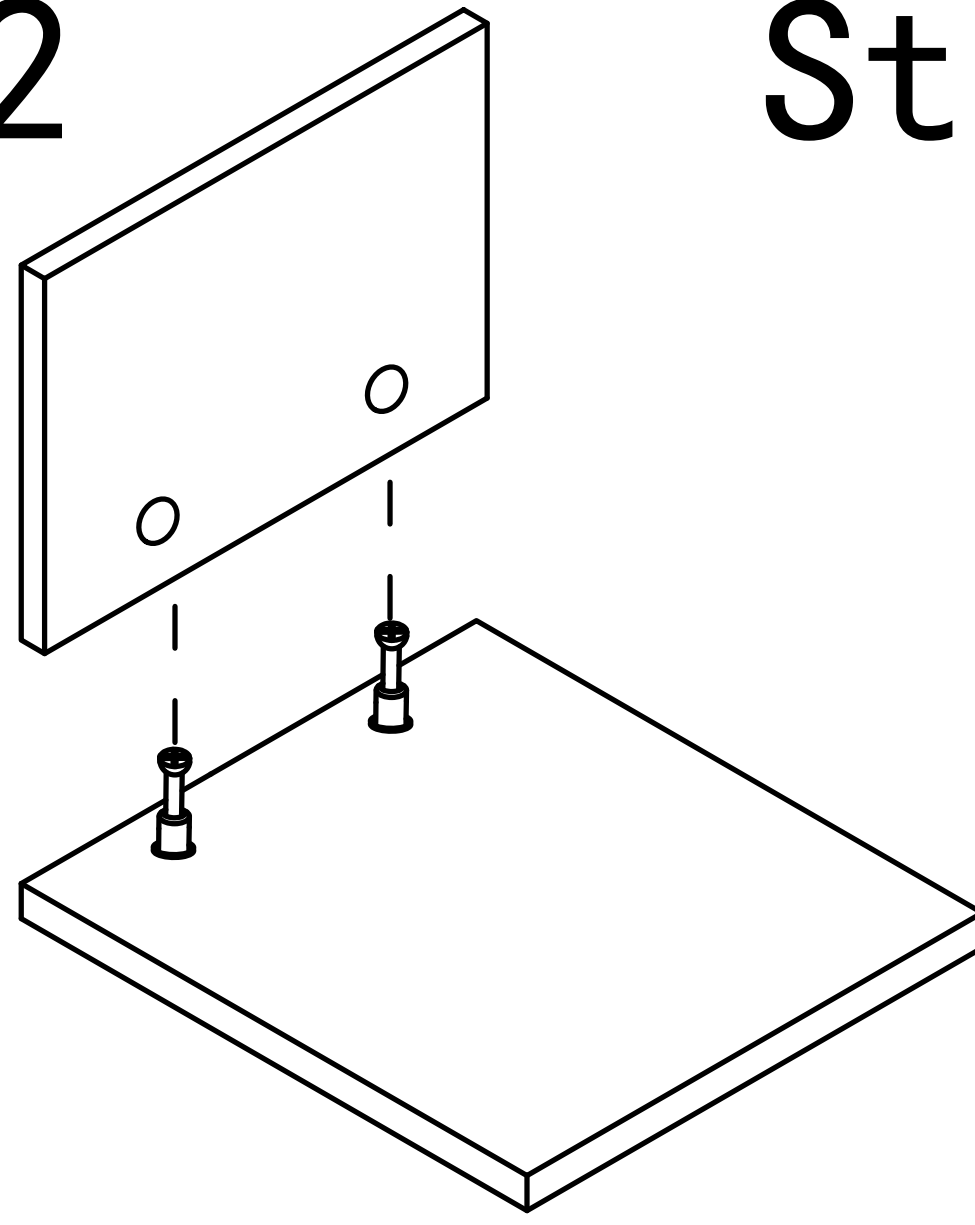


# Use parts ① and ②

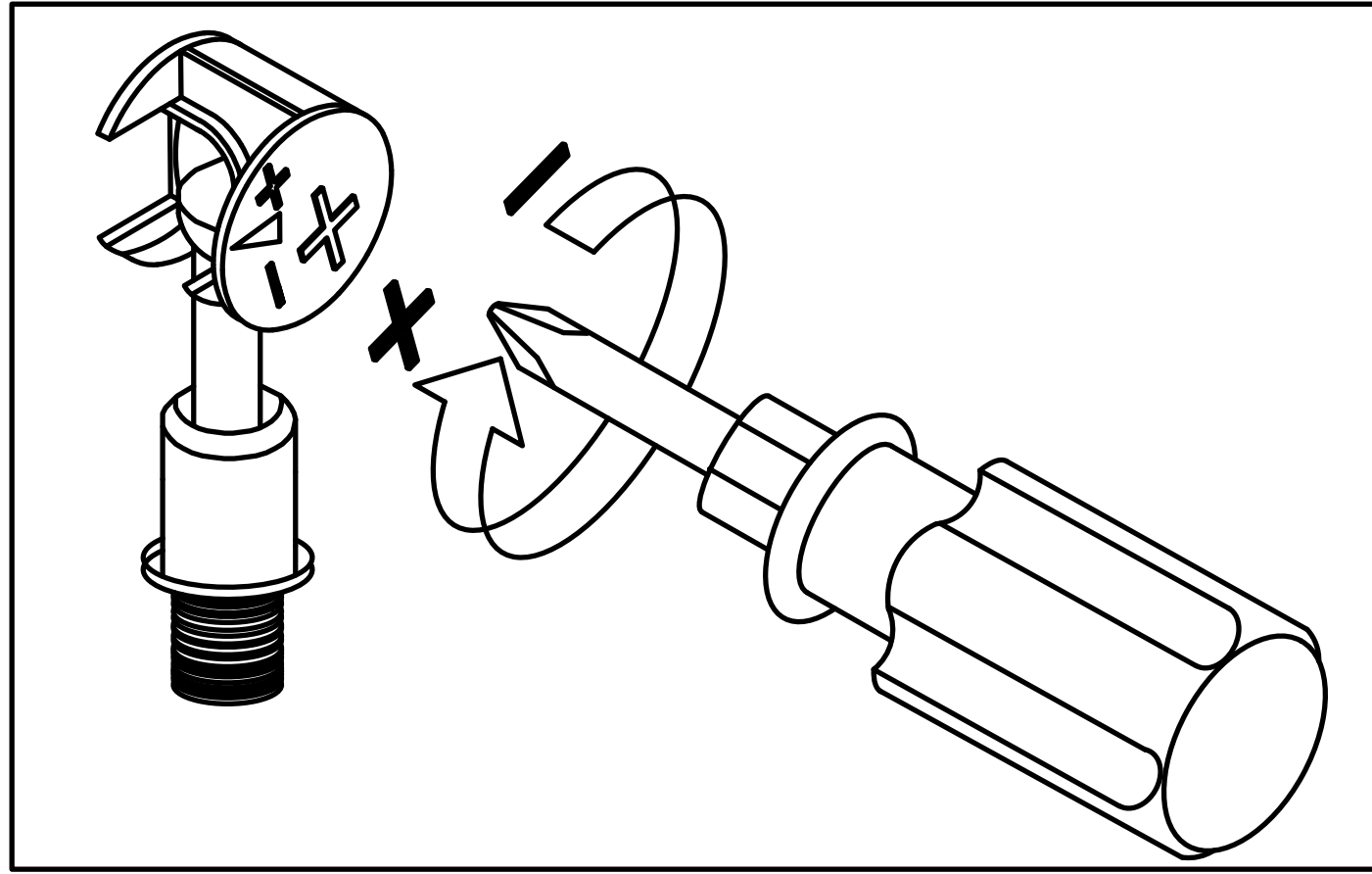
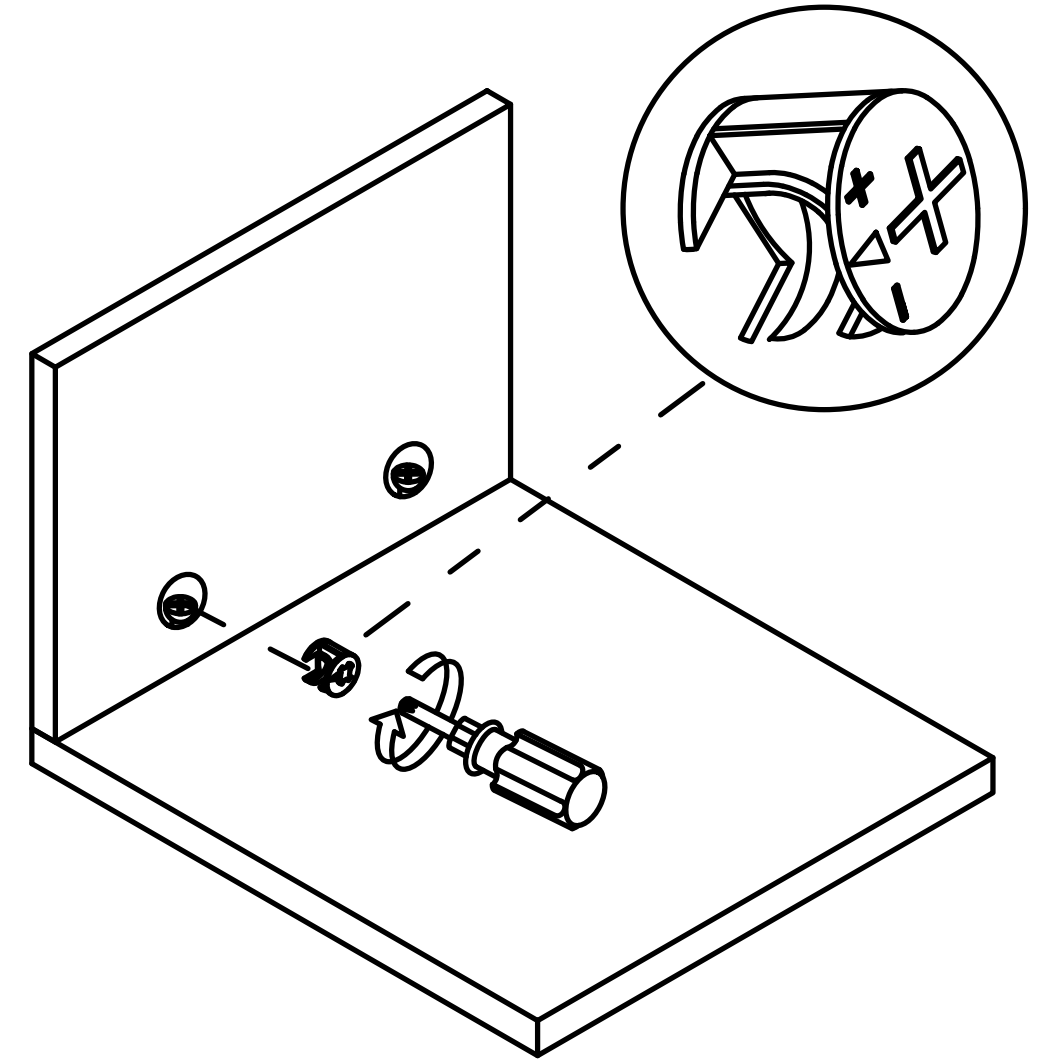
Step 1



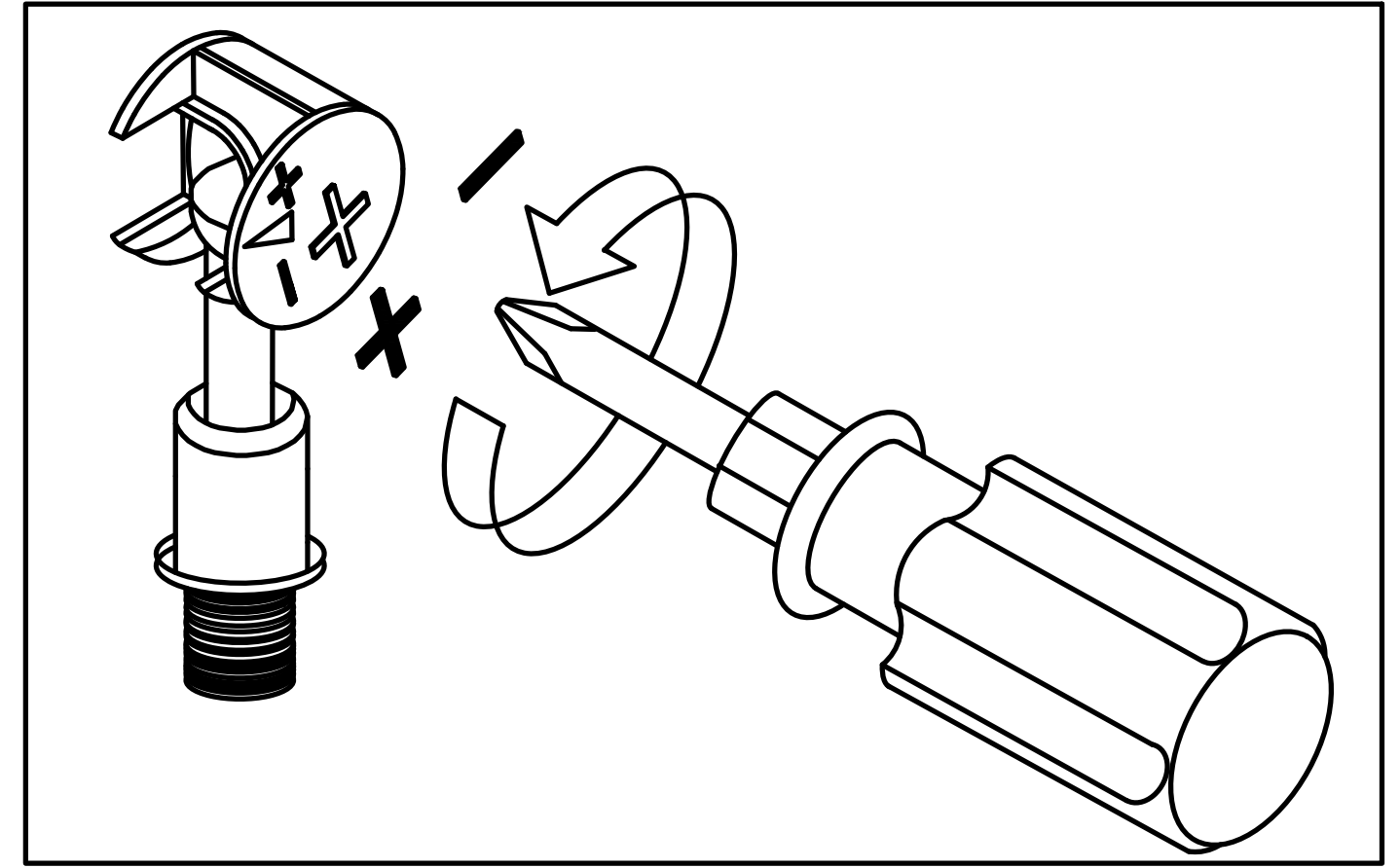
Step 2



Step 3

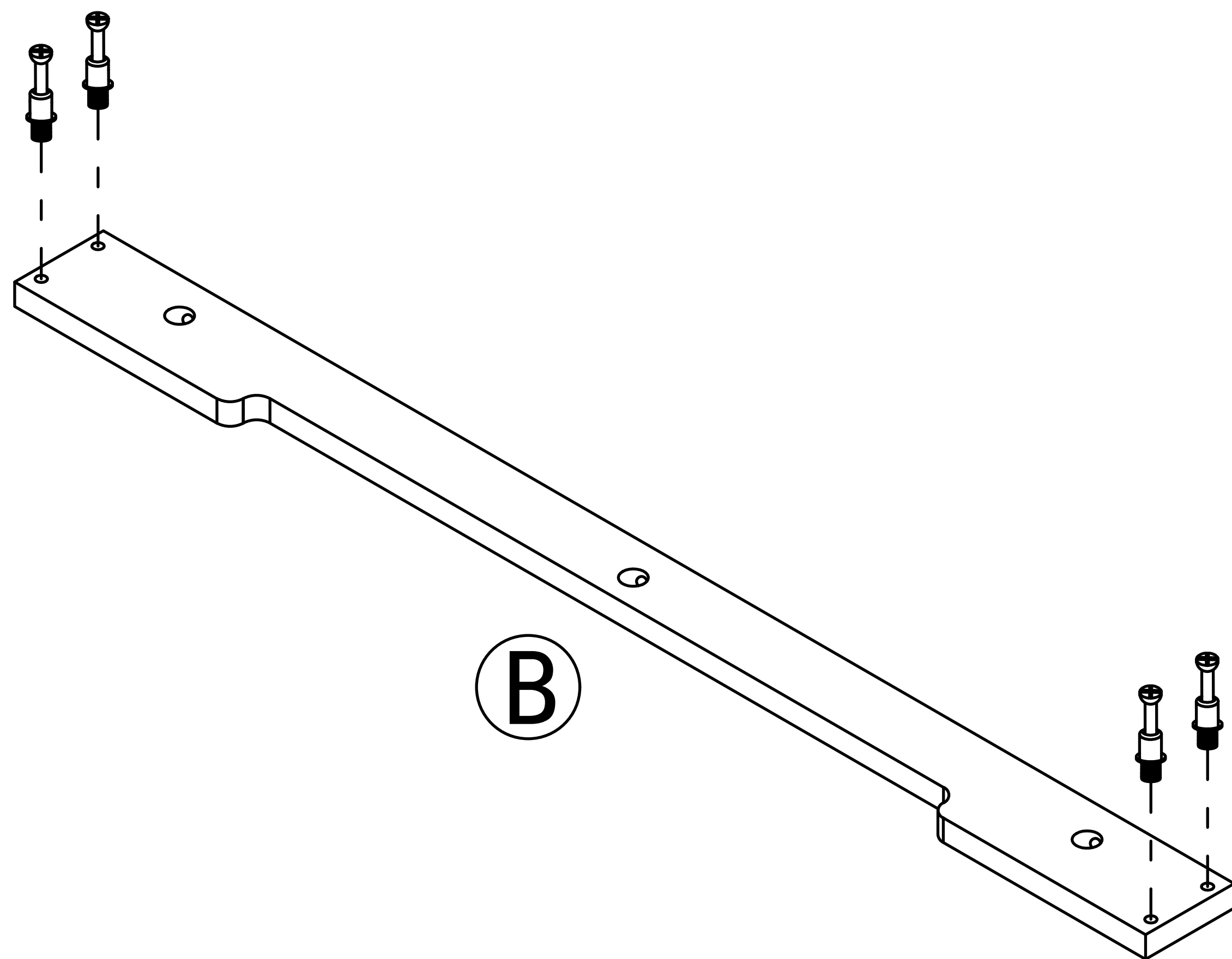
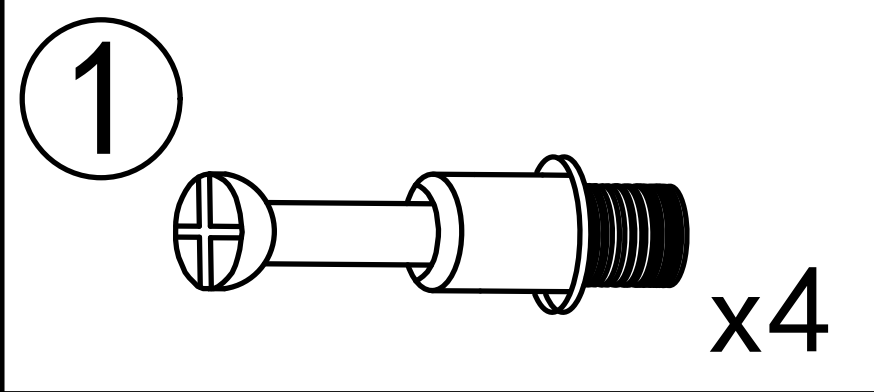


Use a screwdriver to lock in the direction of the "+" sign

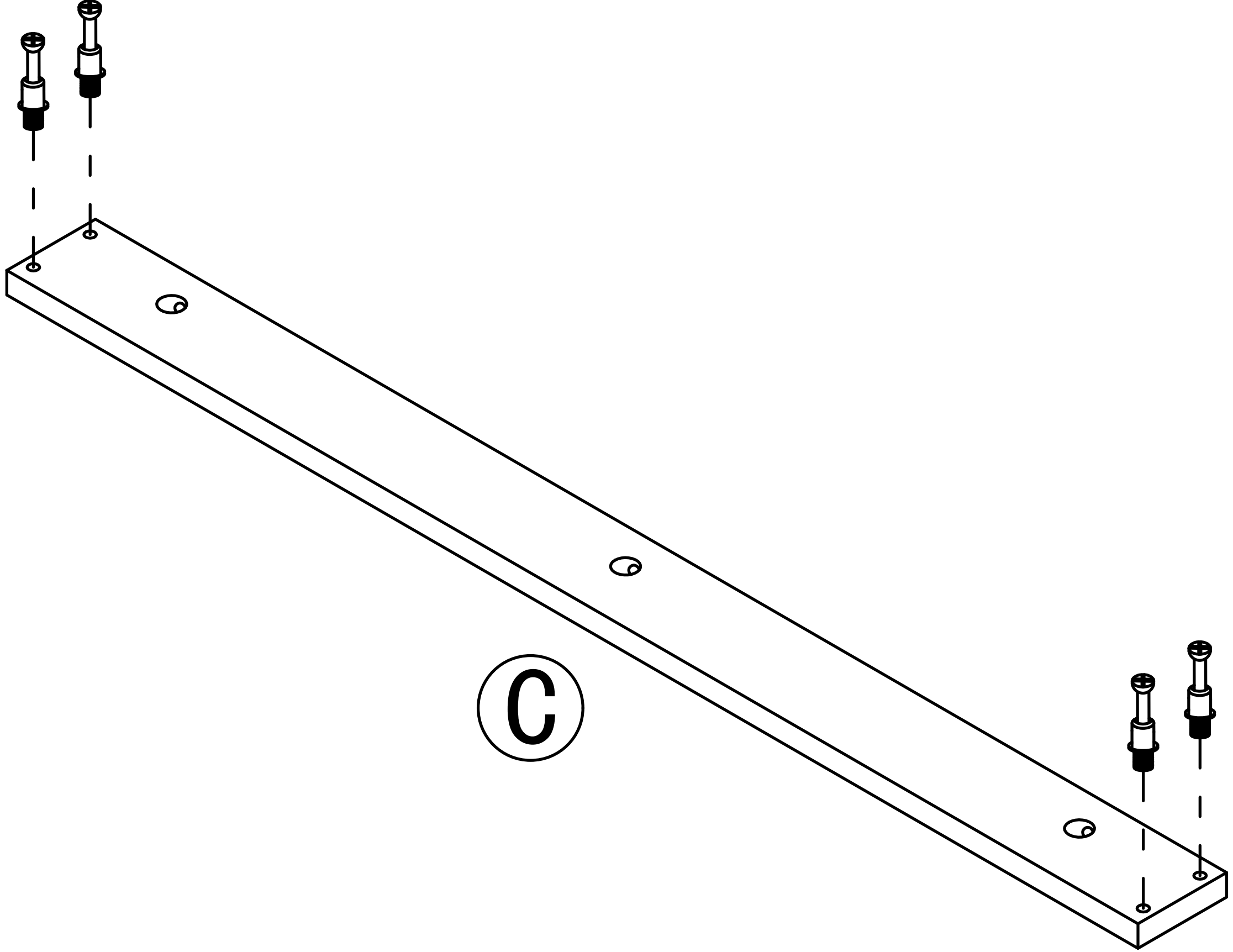
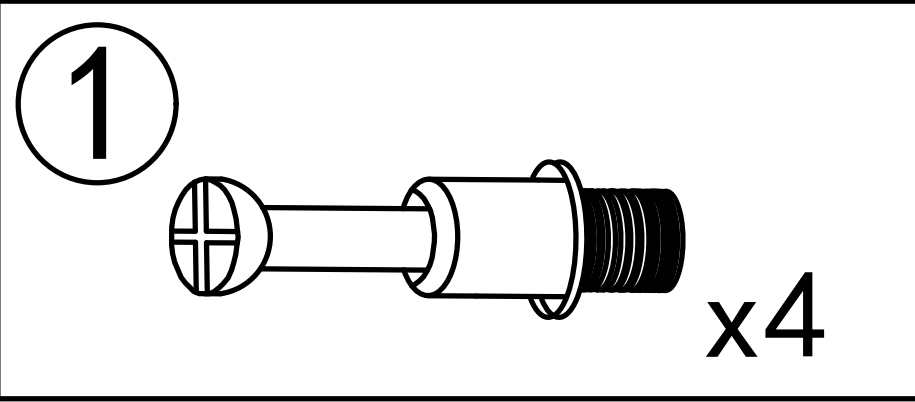


Disassemble along the direction of "-" sign

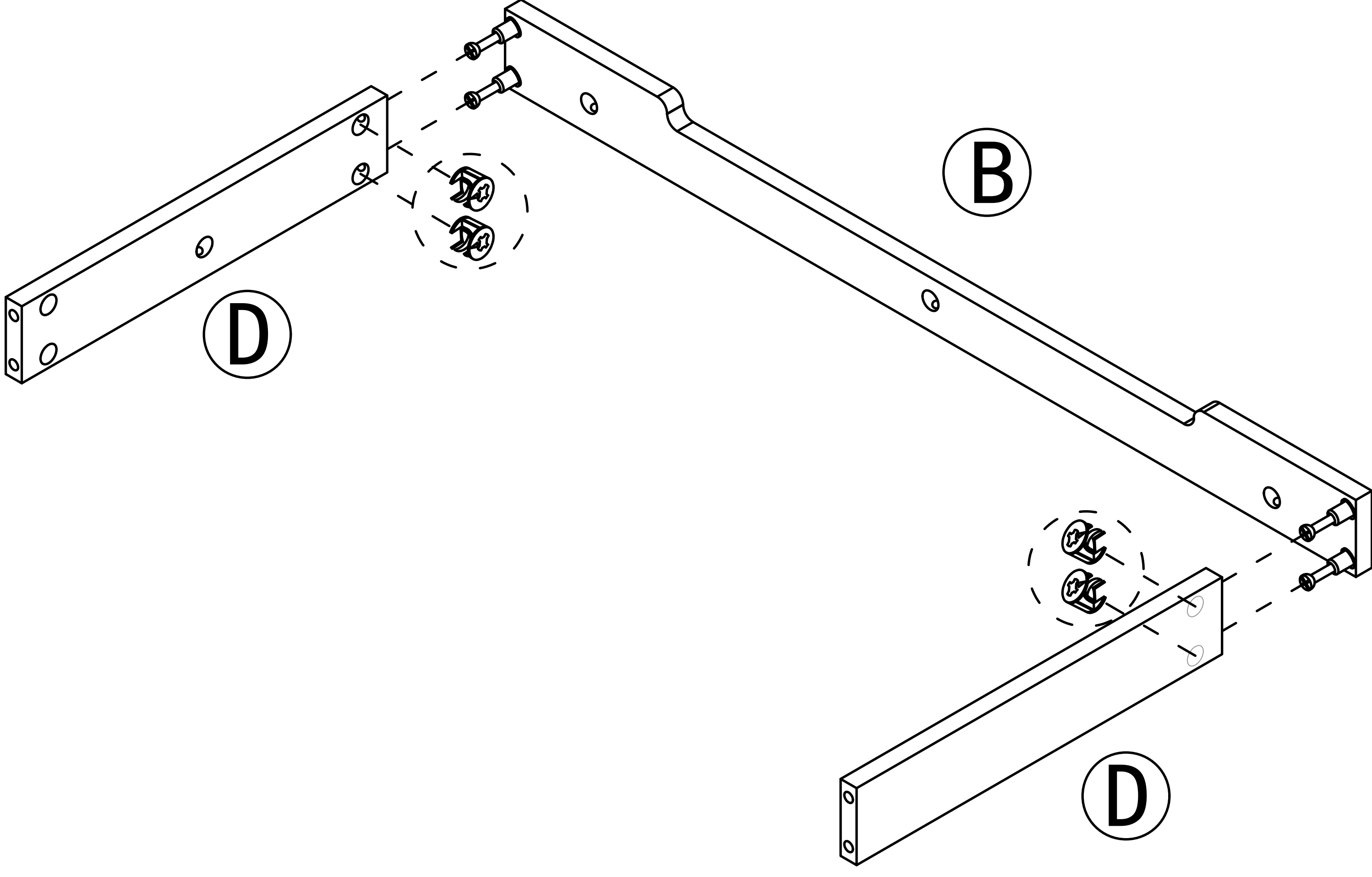
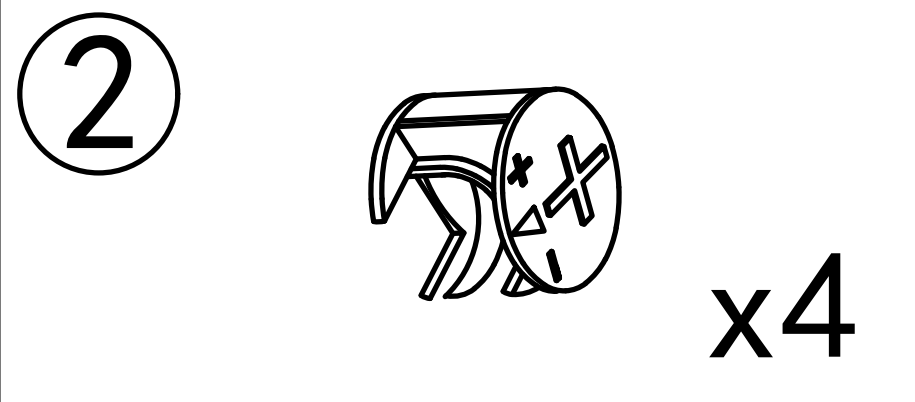
Step 1



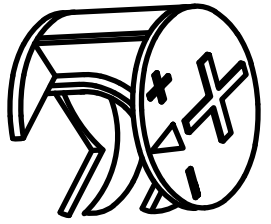
Step 2

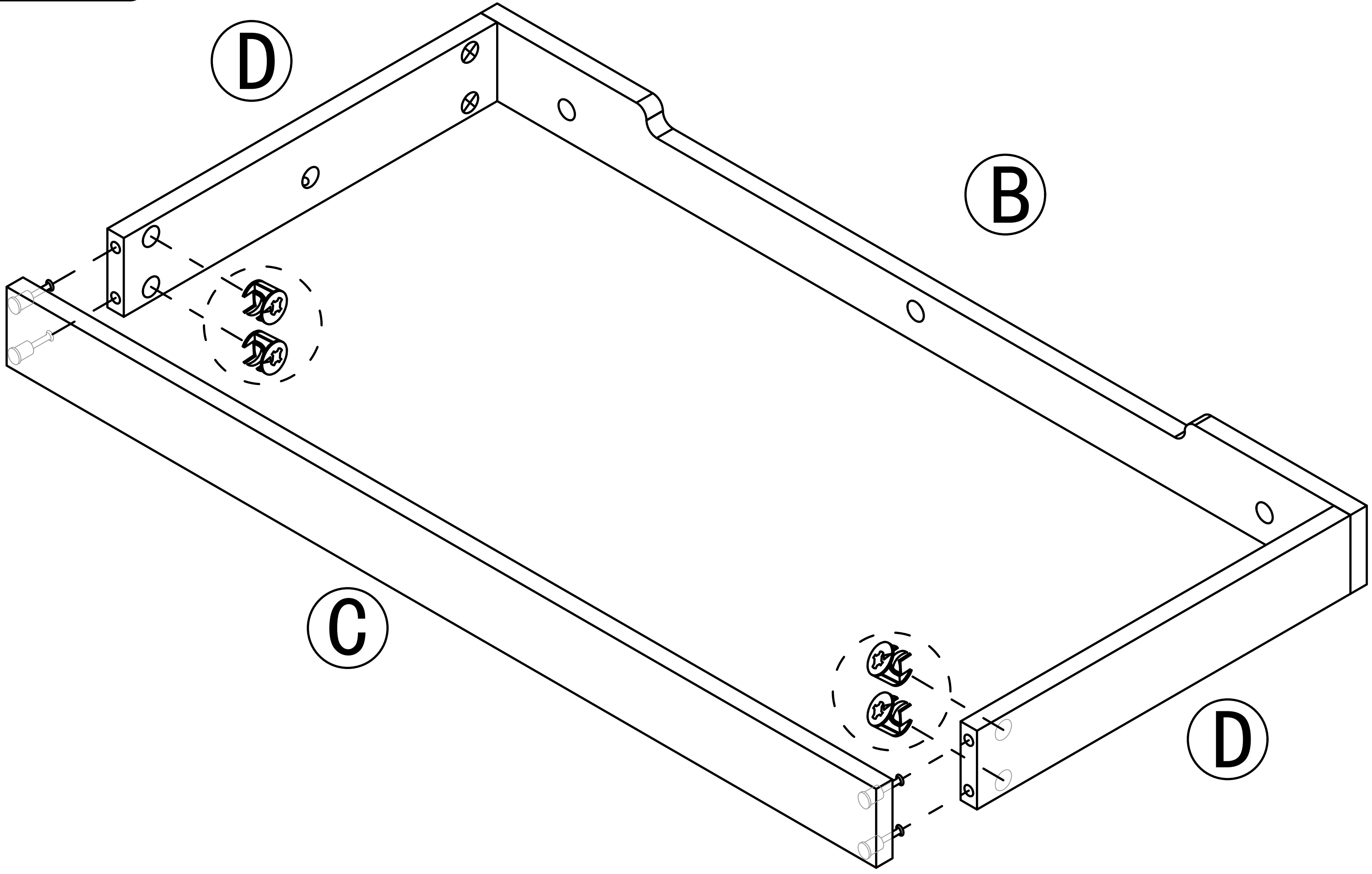


Step 3

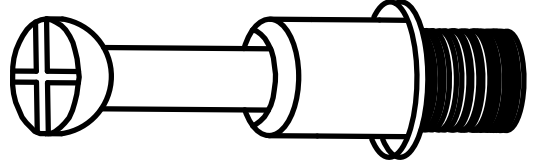


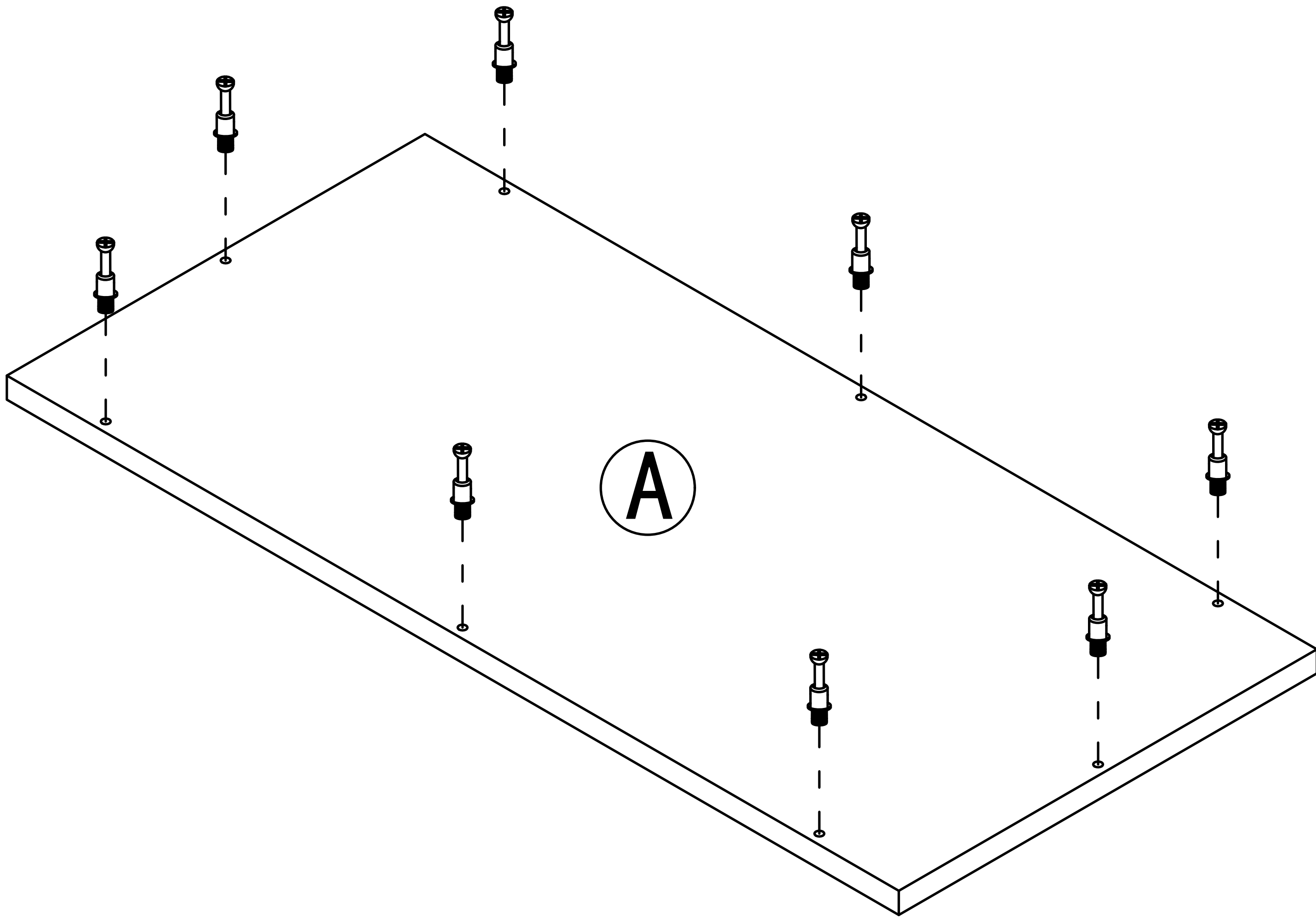
Step 4

②  x4

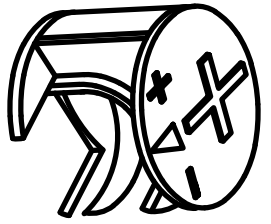


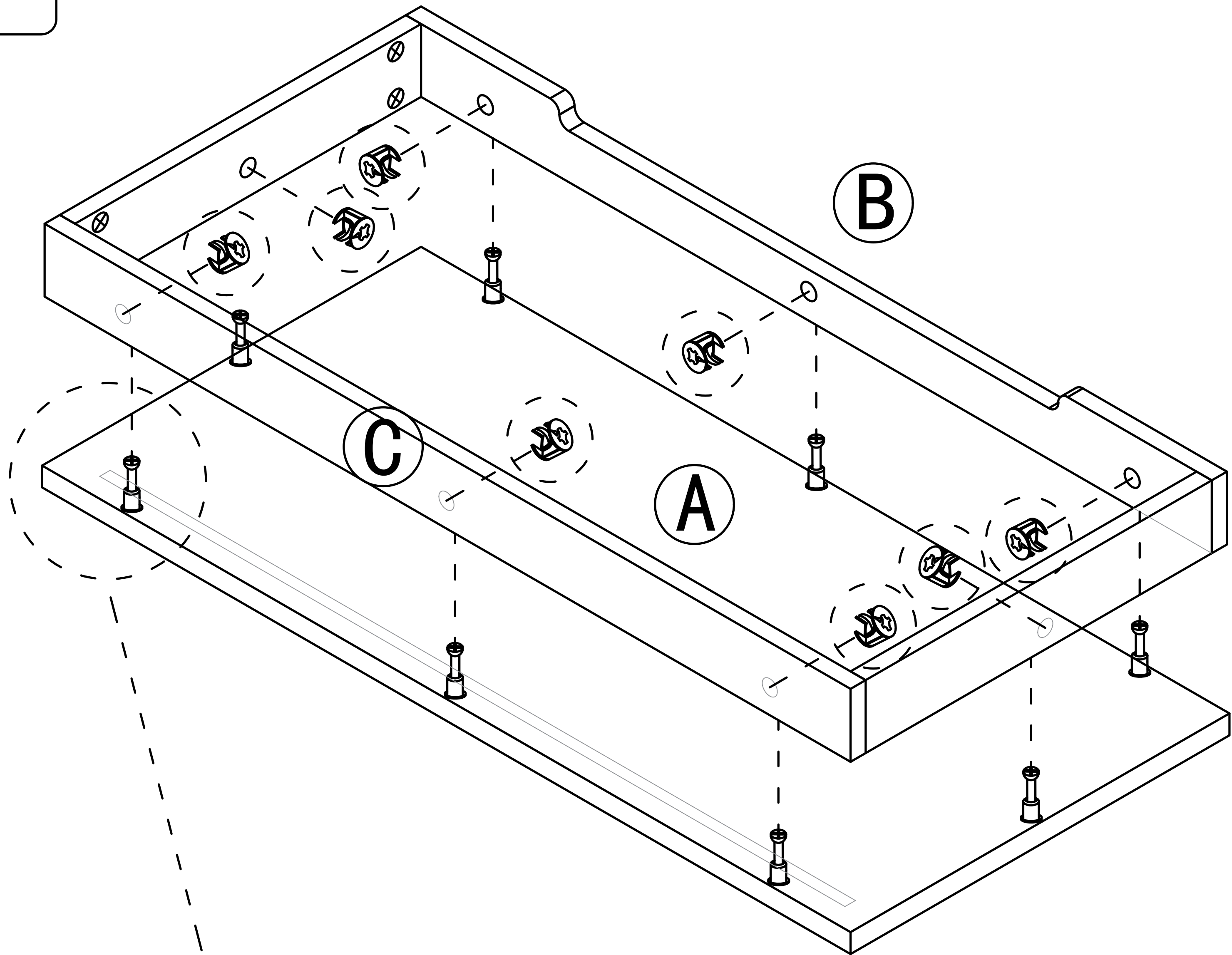
Step 5

①  x8



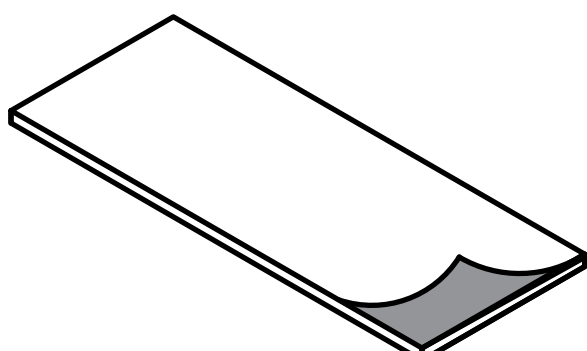
Step 6

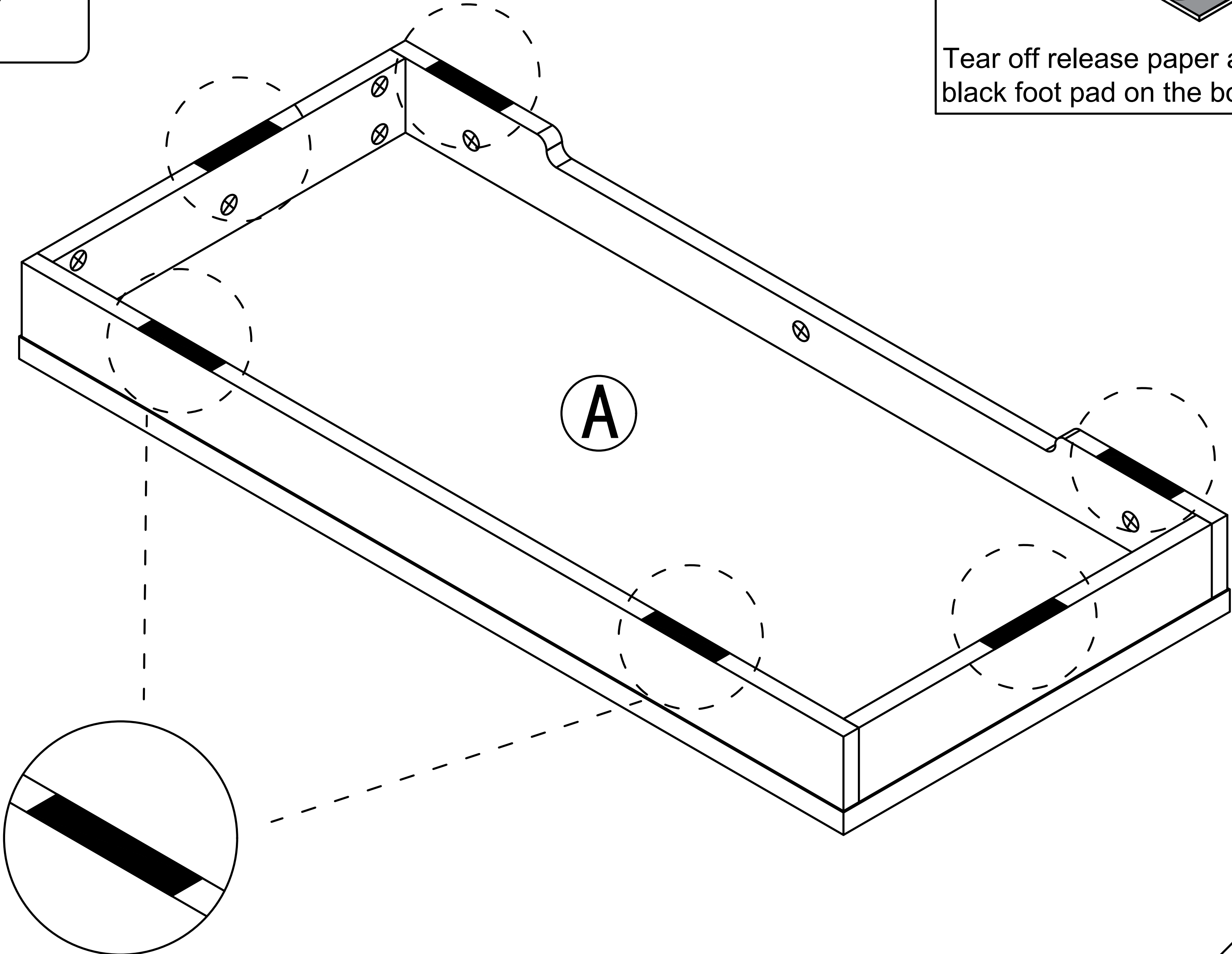
②  x8



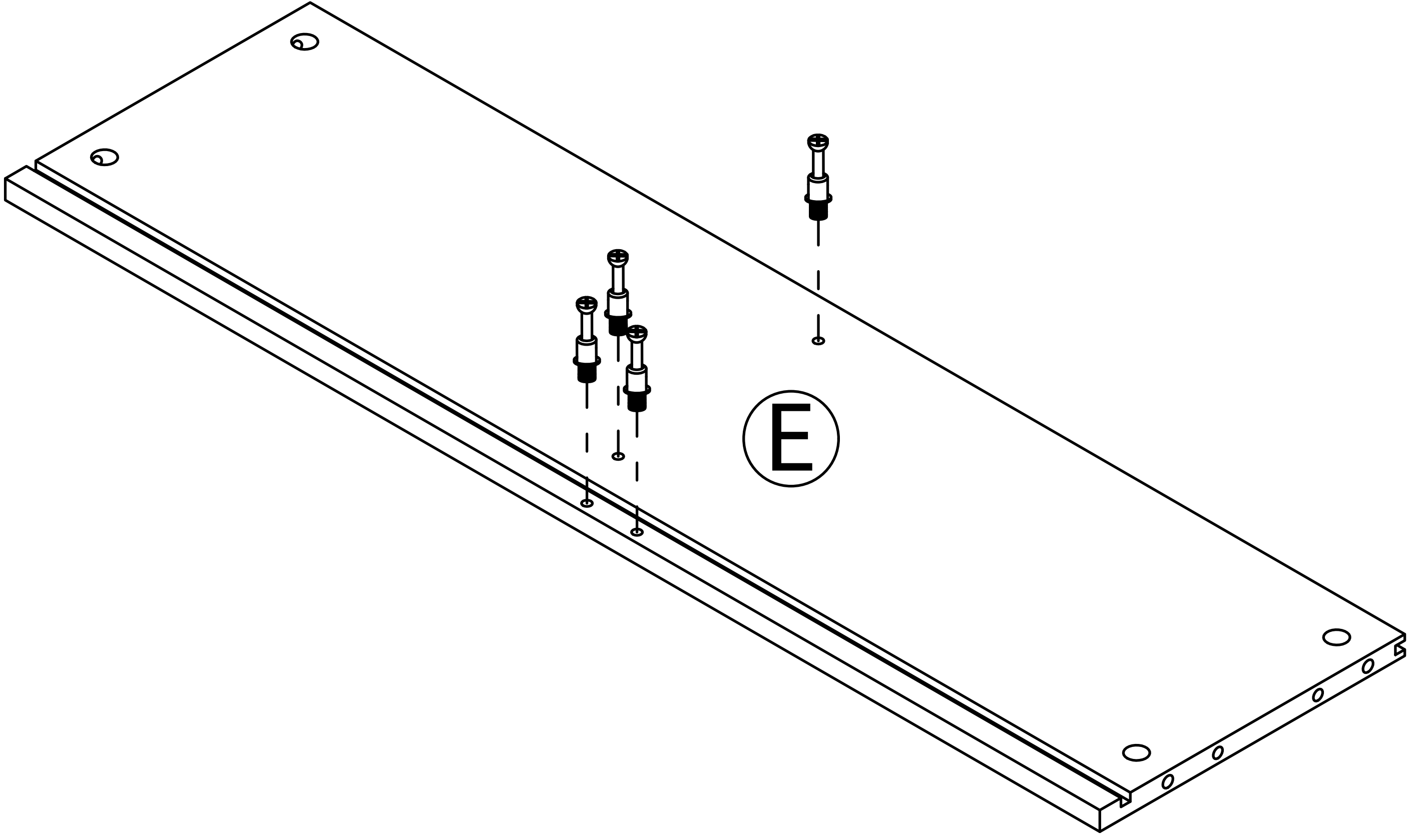
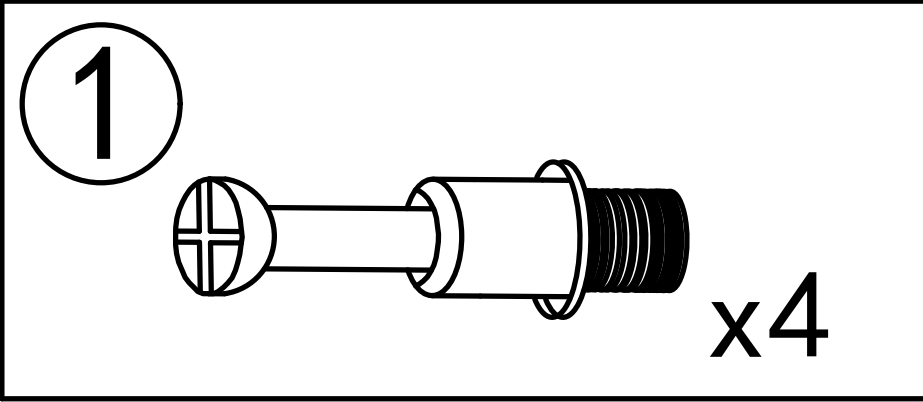
Please note the direction of the groove.

Step 7

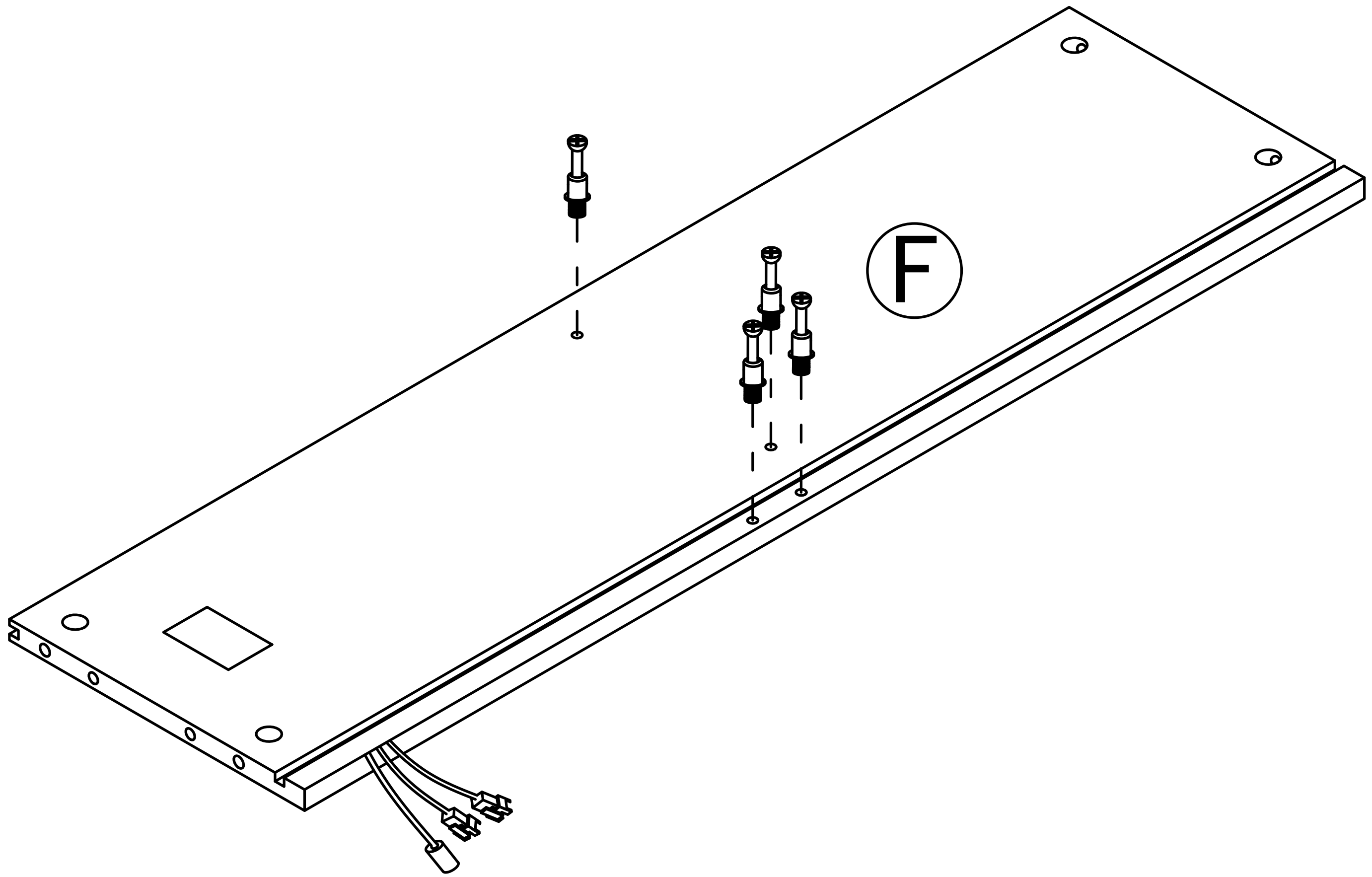
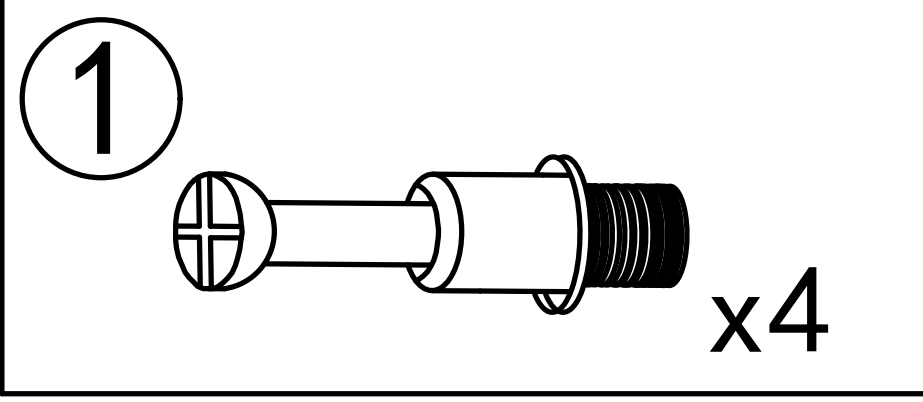
④  x6  
Tear off release paper and stick the black foot pad on the board



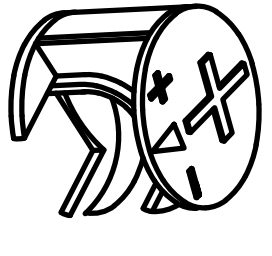
Step 8

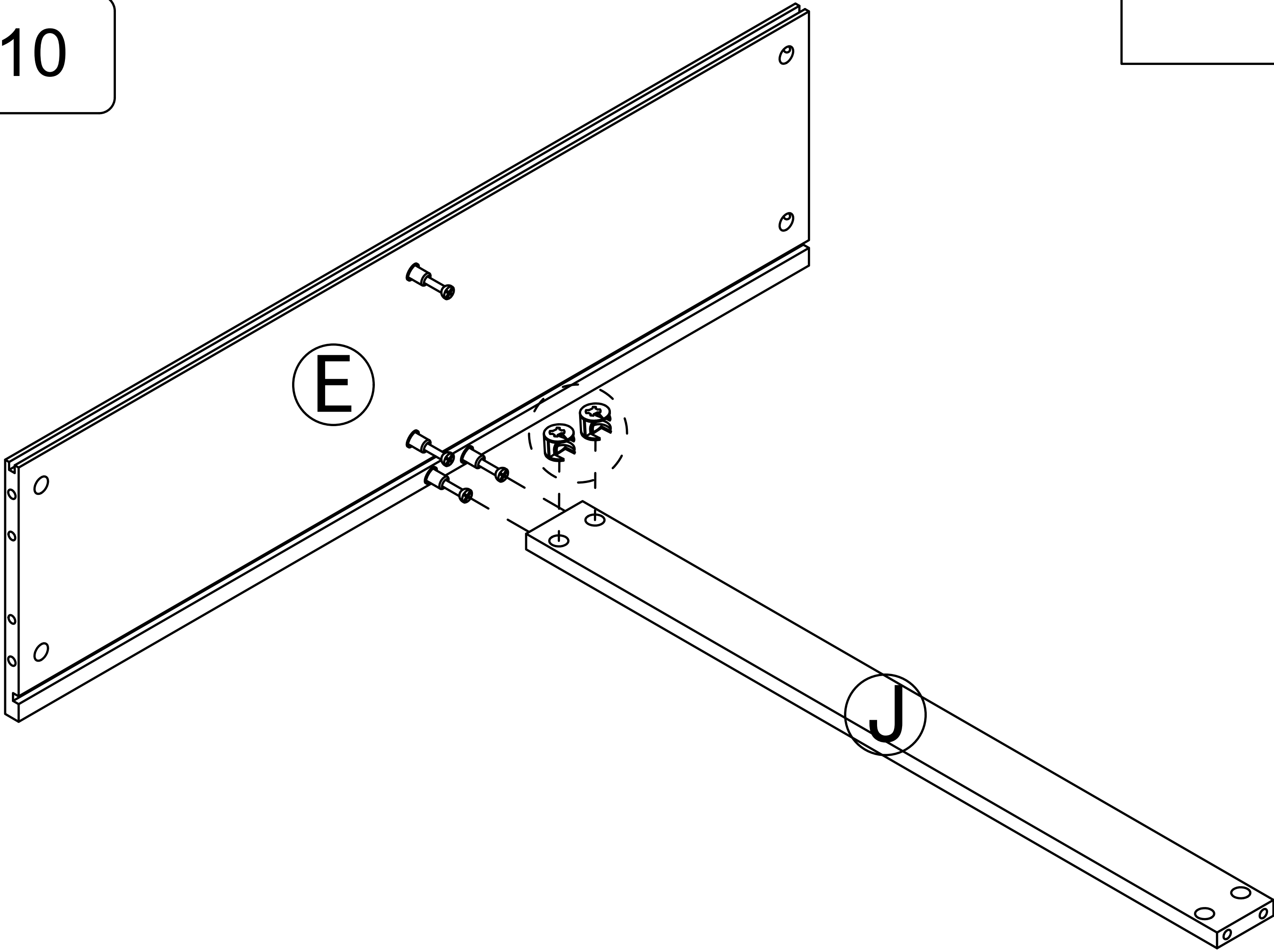


Step 9

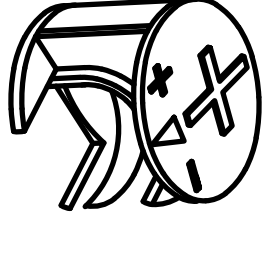


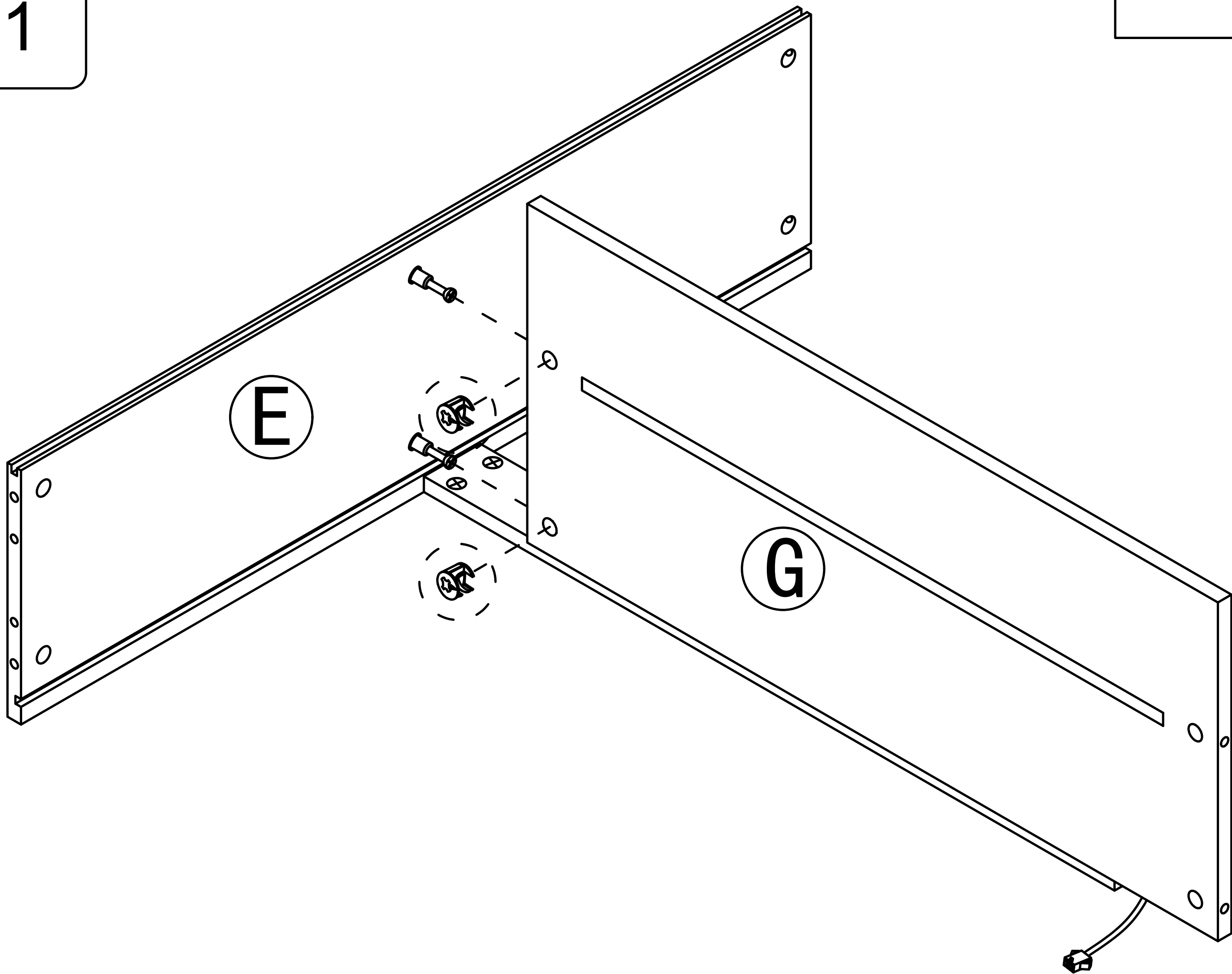
Step 10

②  x2

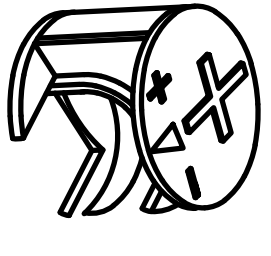


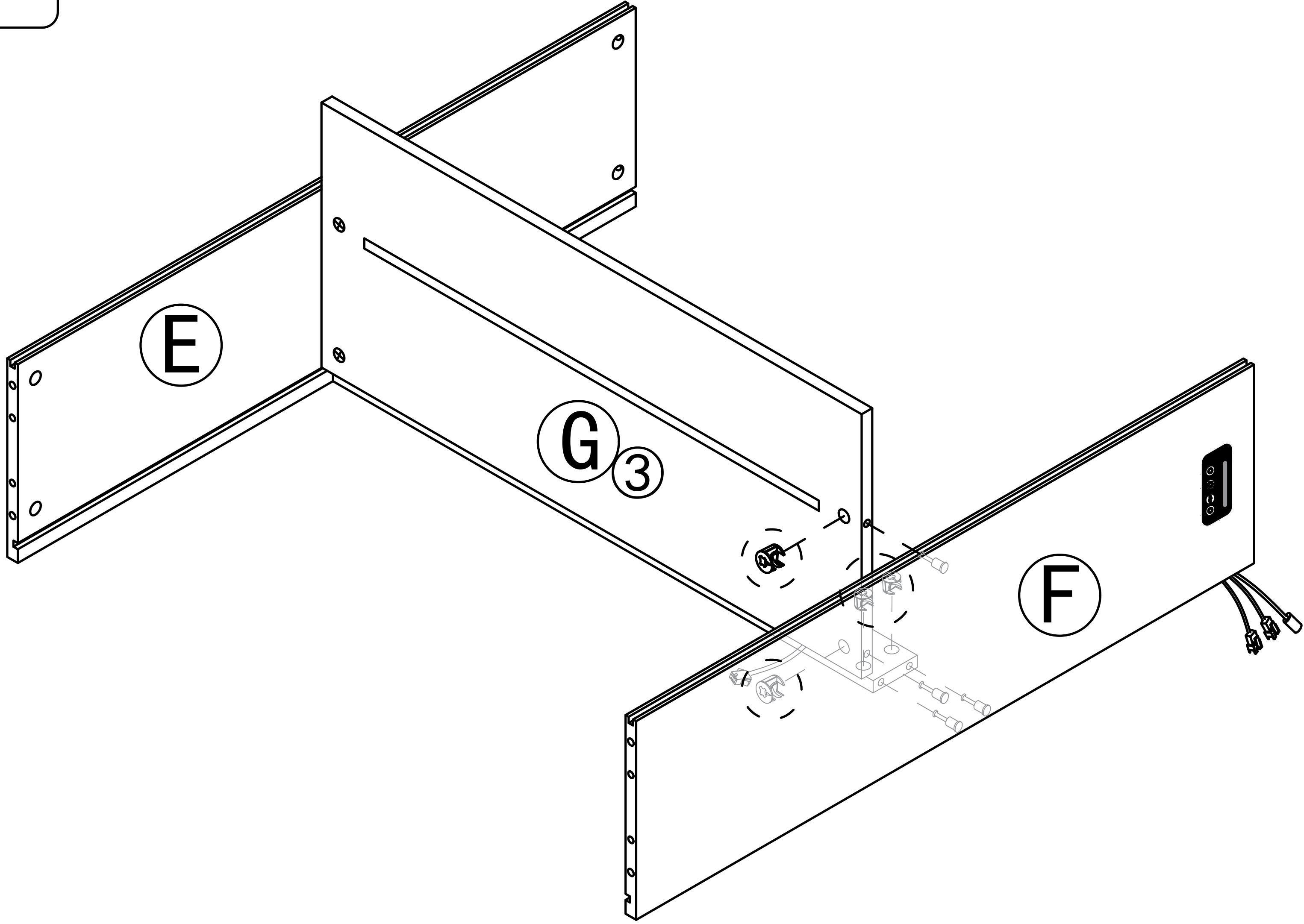
Step 11

②  x2

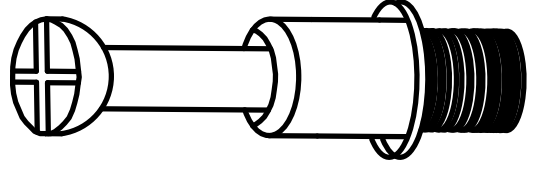
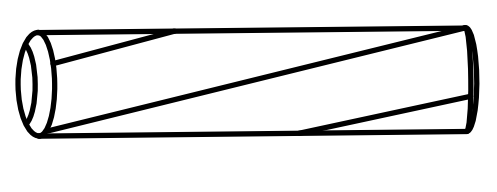


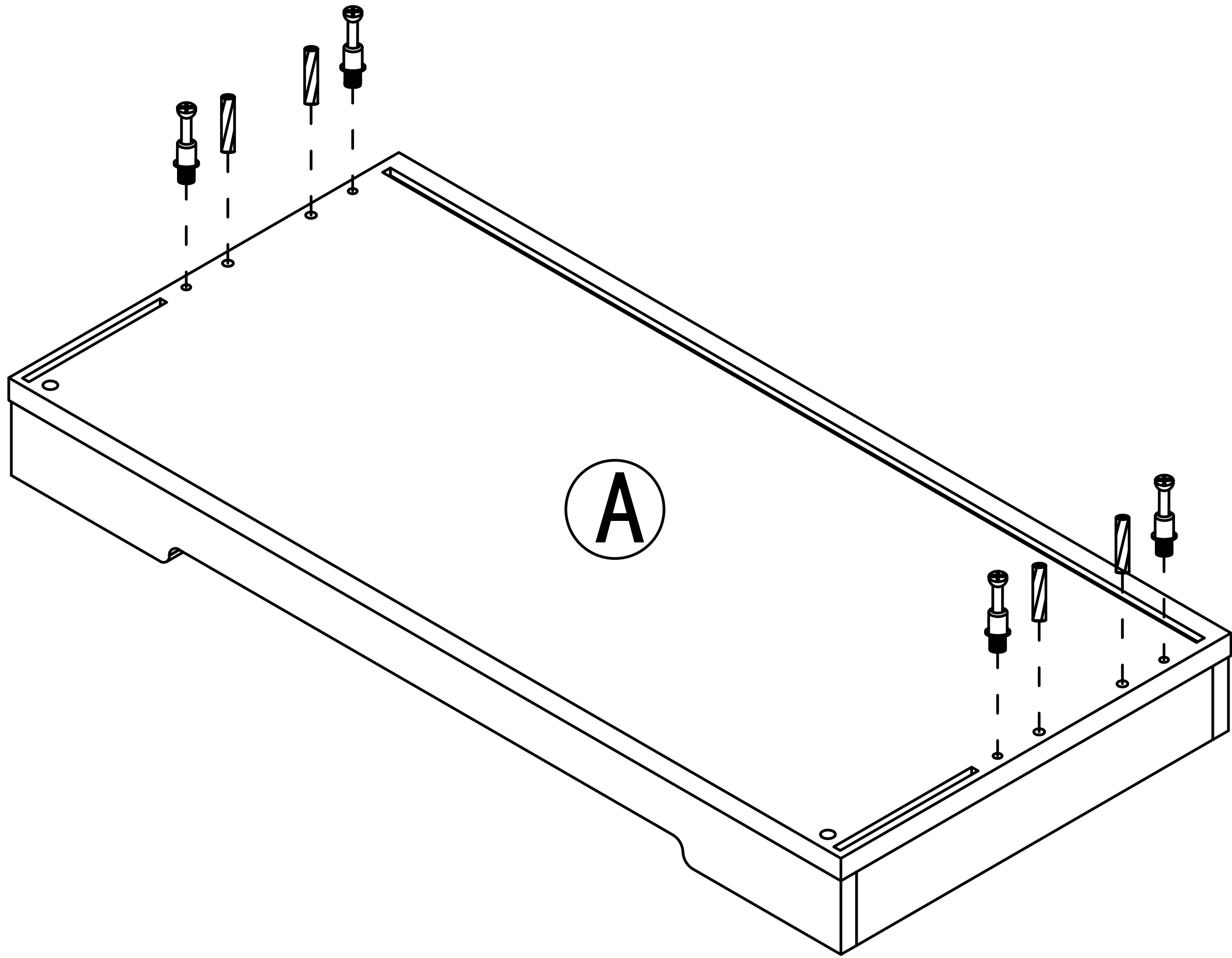
Step 12

- ②  x4

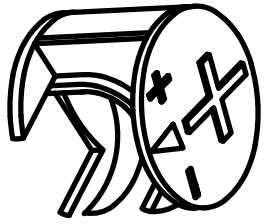


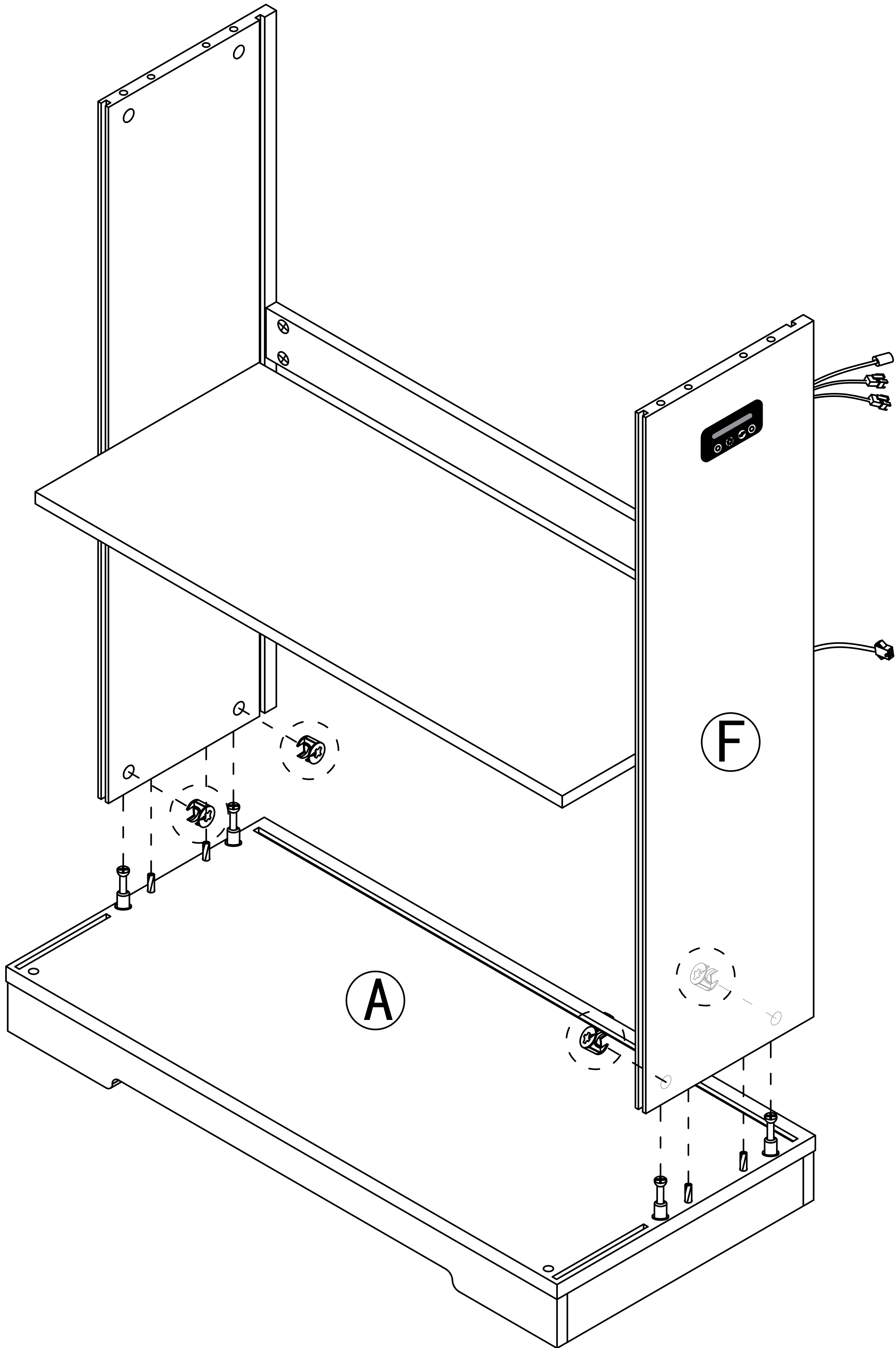
Step 13

- ①  x4
- ③  x4


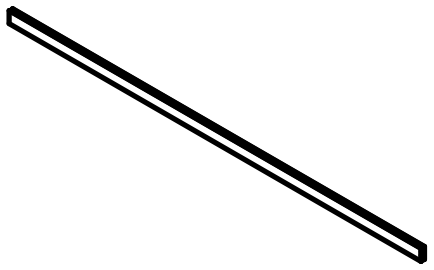


Step 14

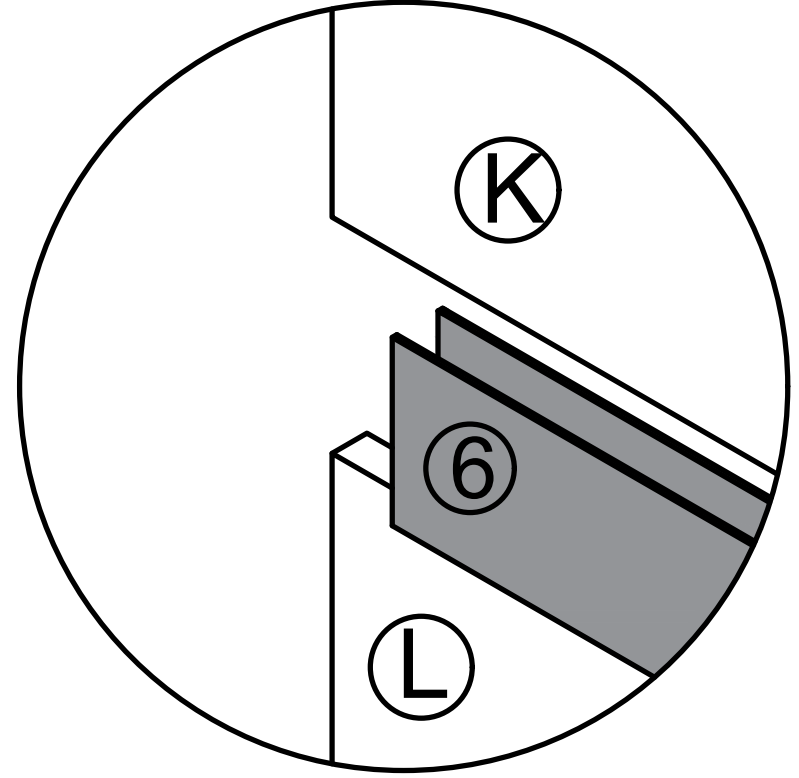
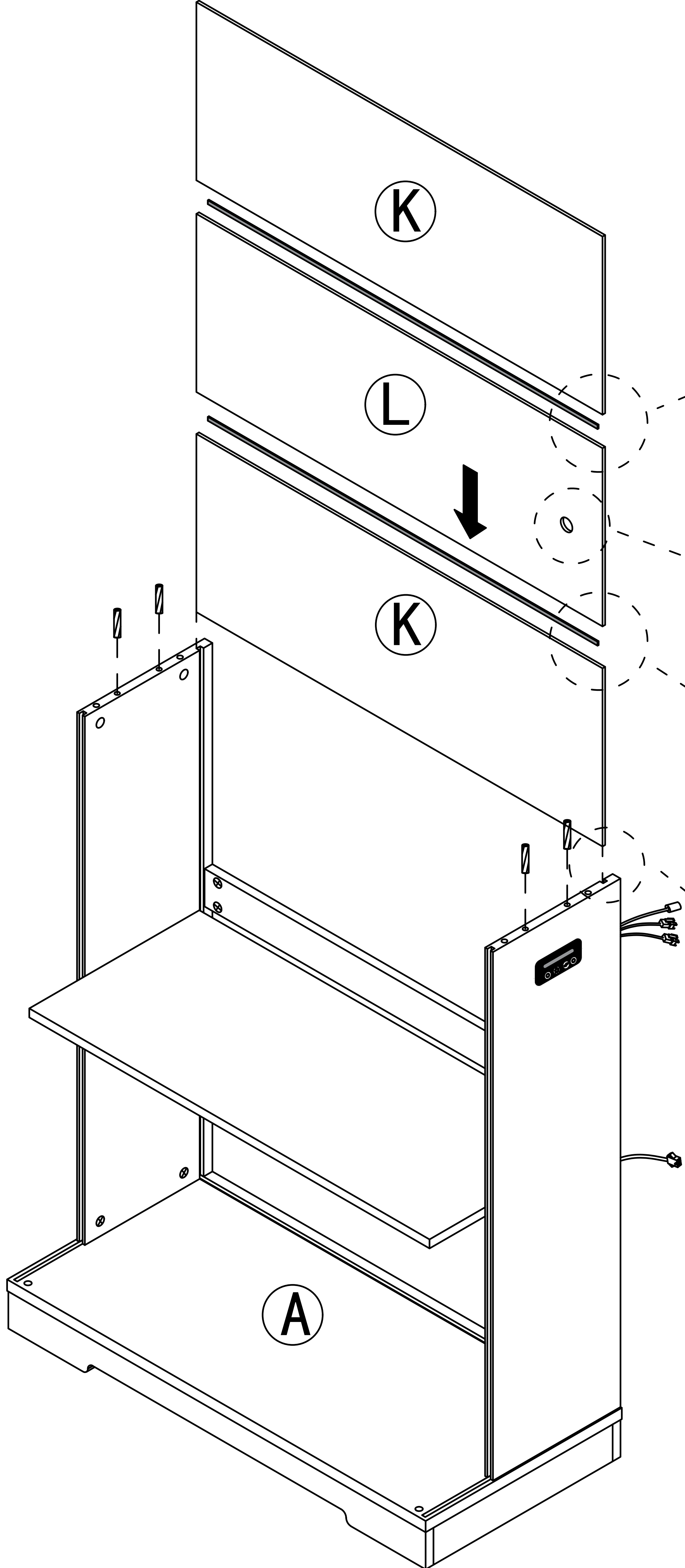
②  x4



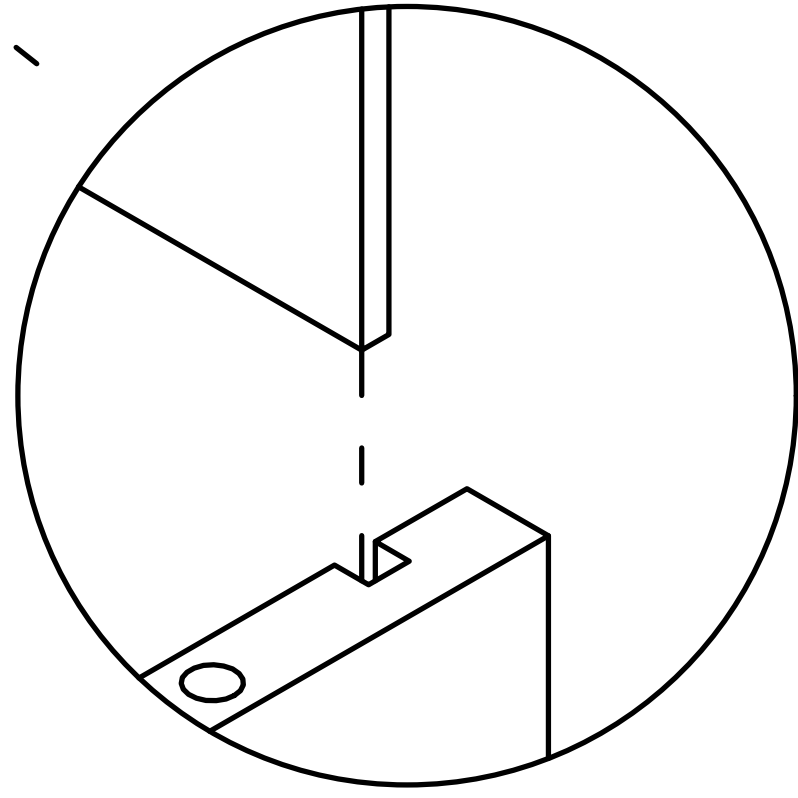
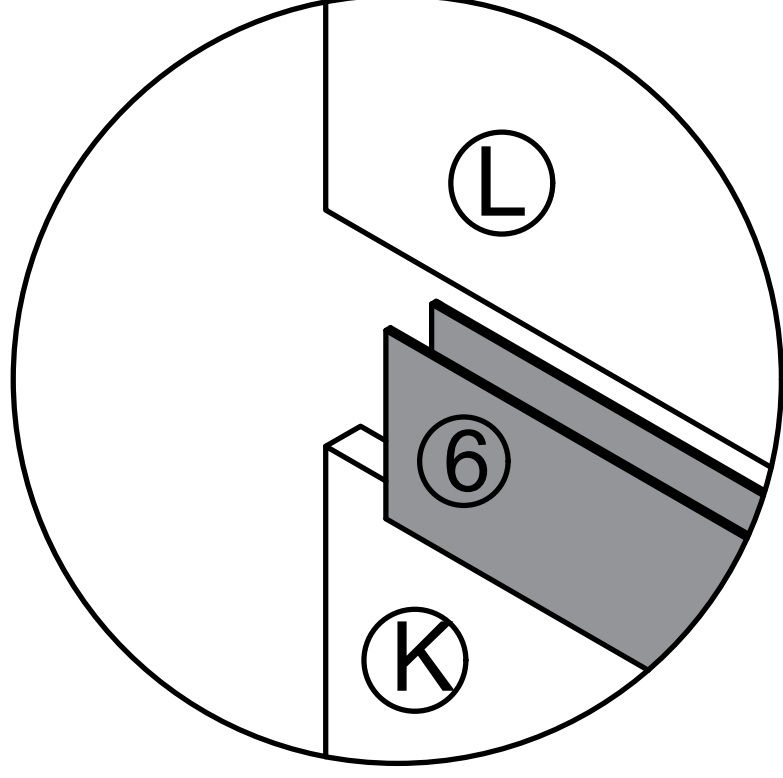
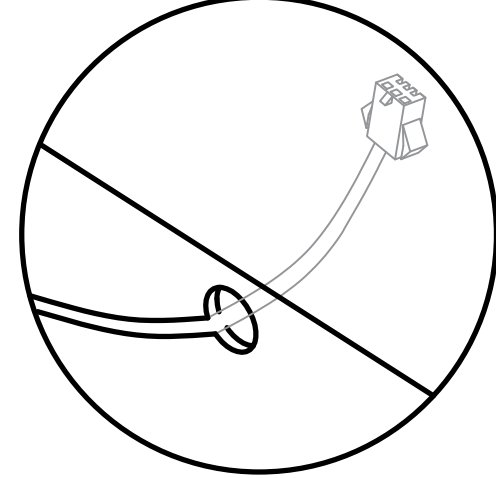
Step 15

- ③  x4
- ⑥  x2

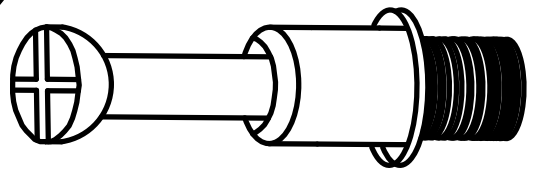
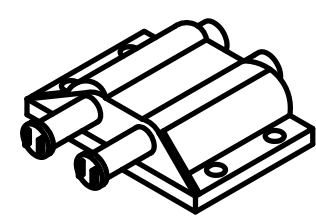
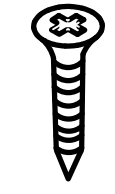
Place the "L" board, Backboard card strip, and "K" board in order

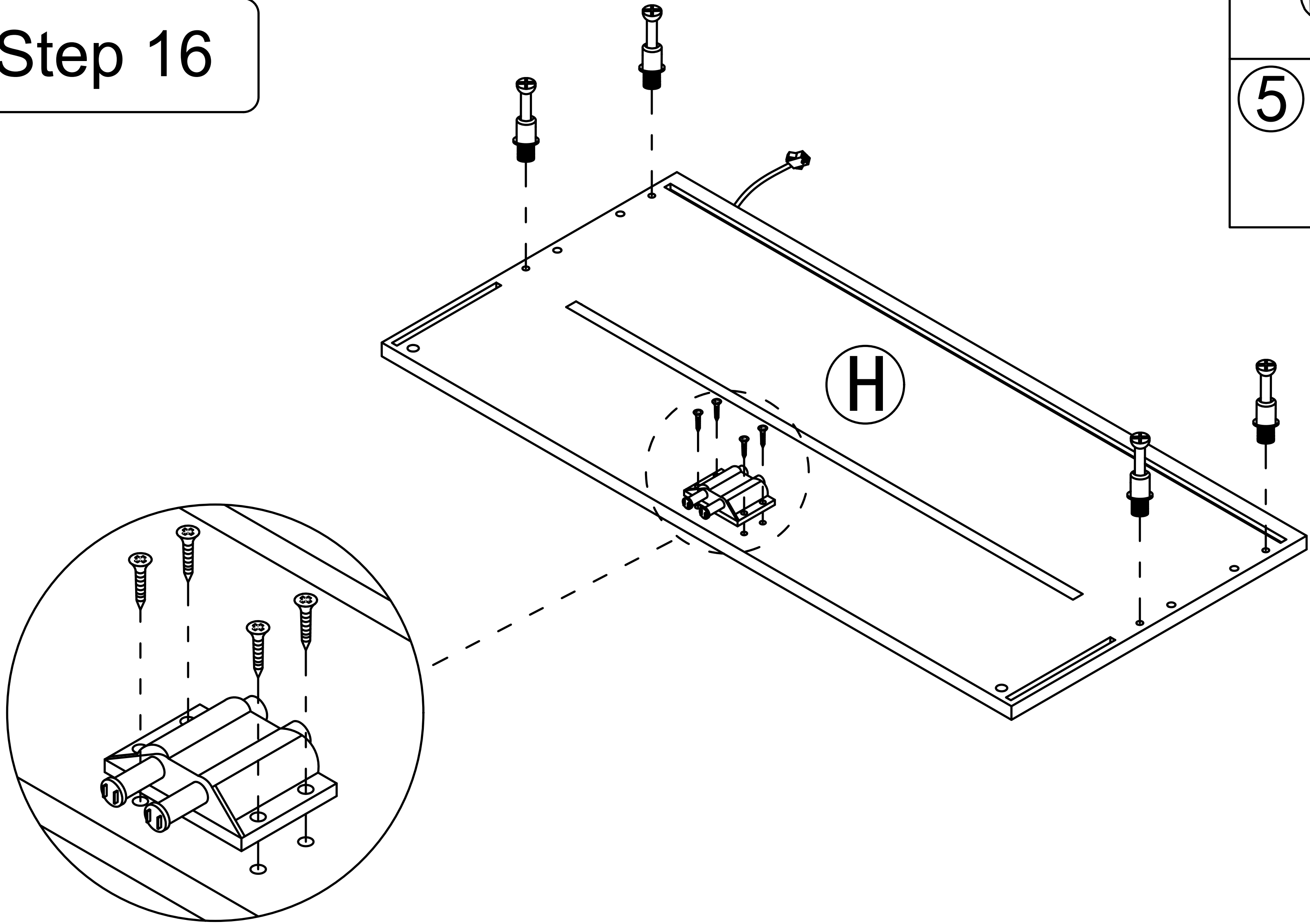


light wire exit hole

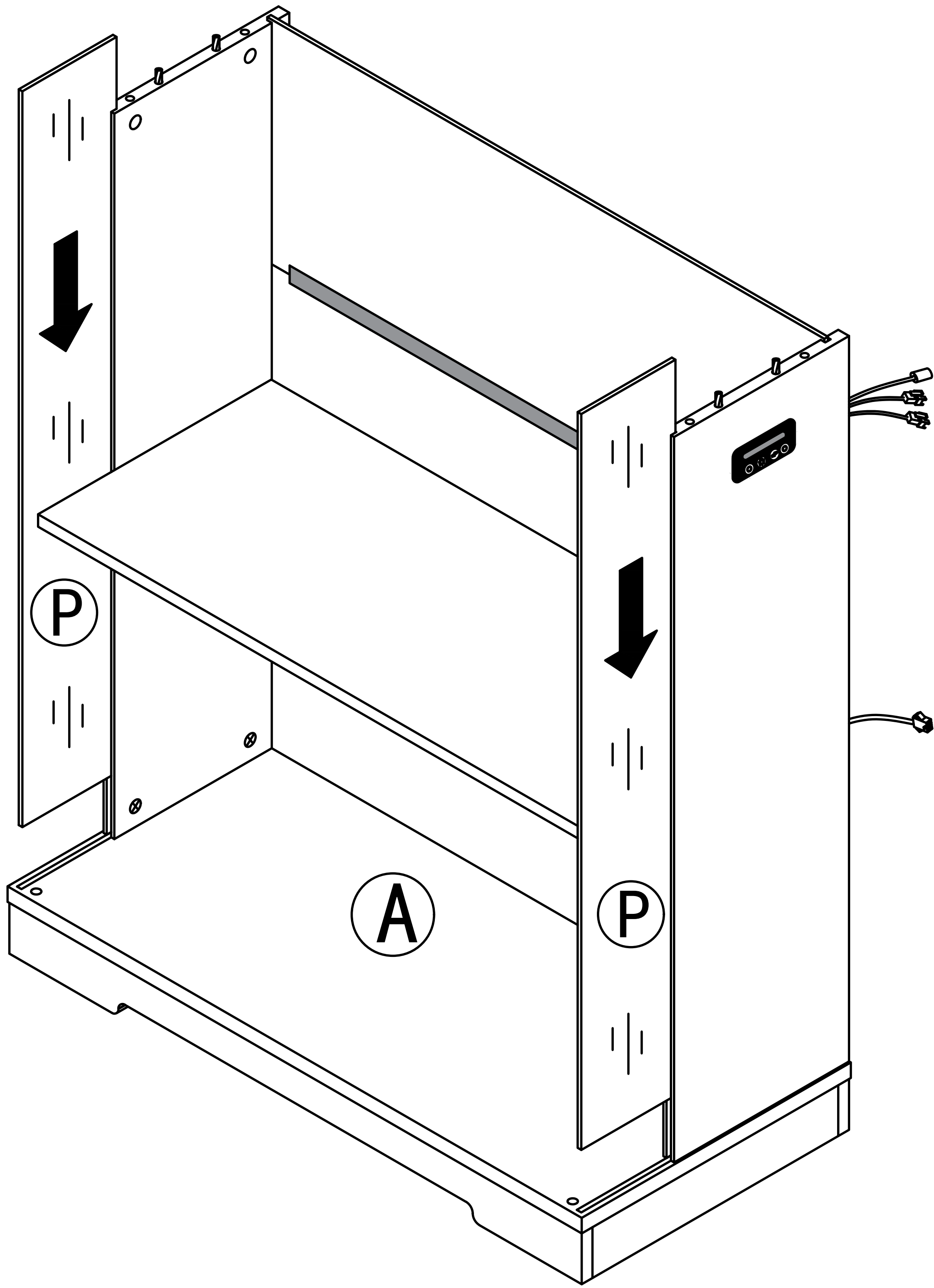


Step 16

- ①  x4
- ⑤  x1  x4

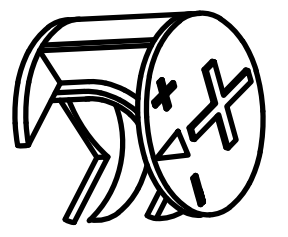


Step 17

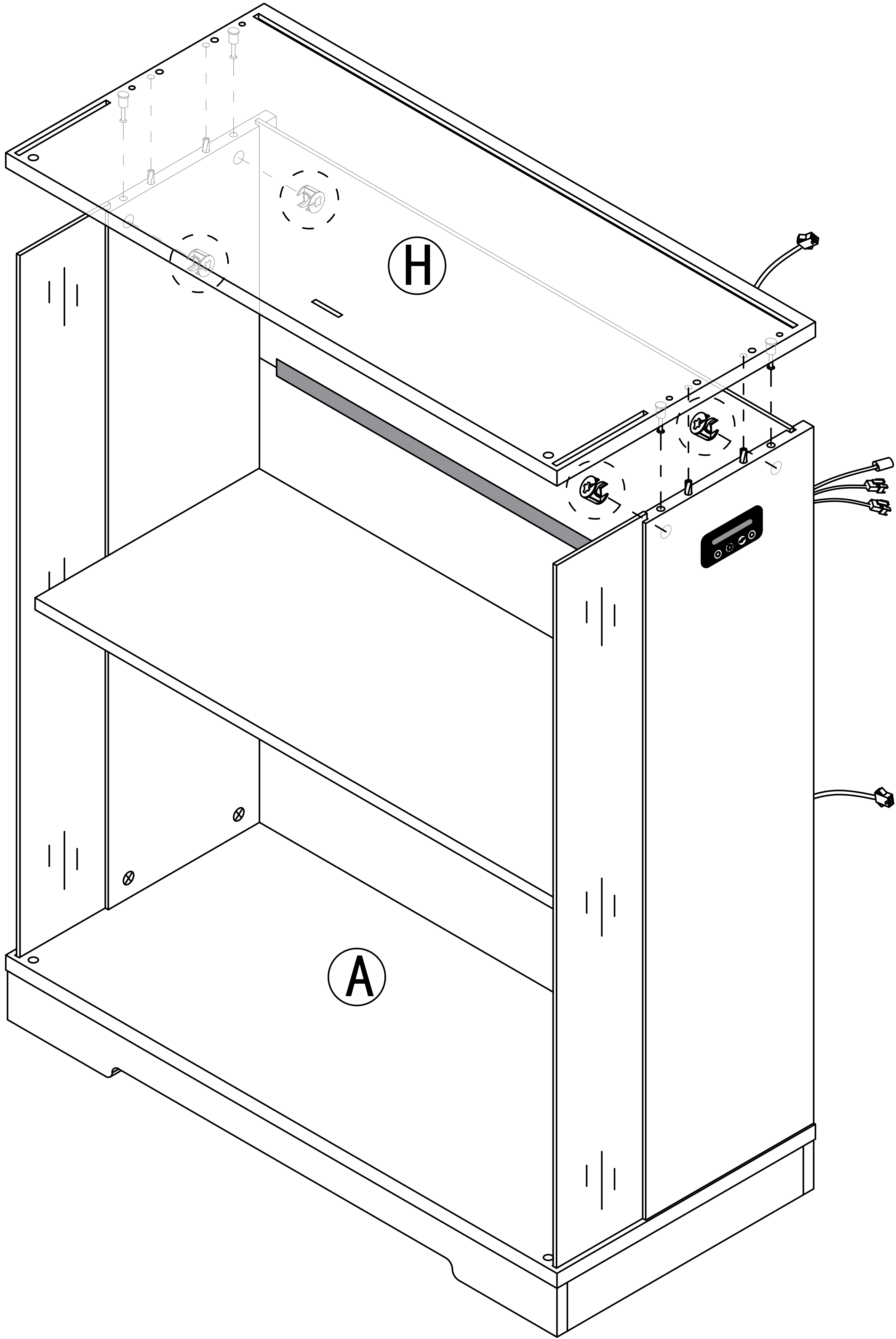


Step 18

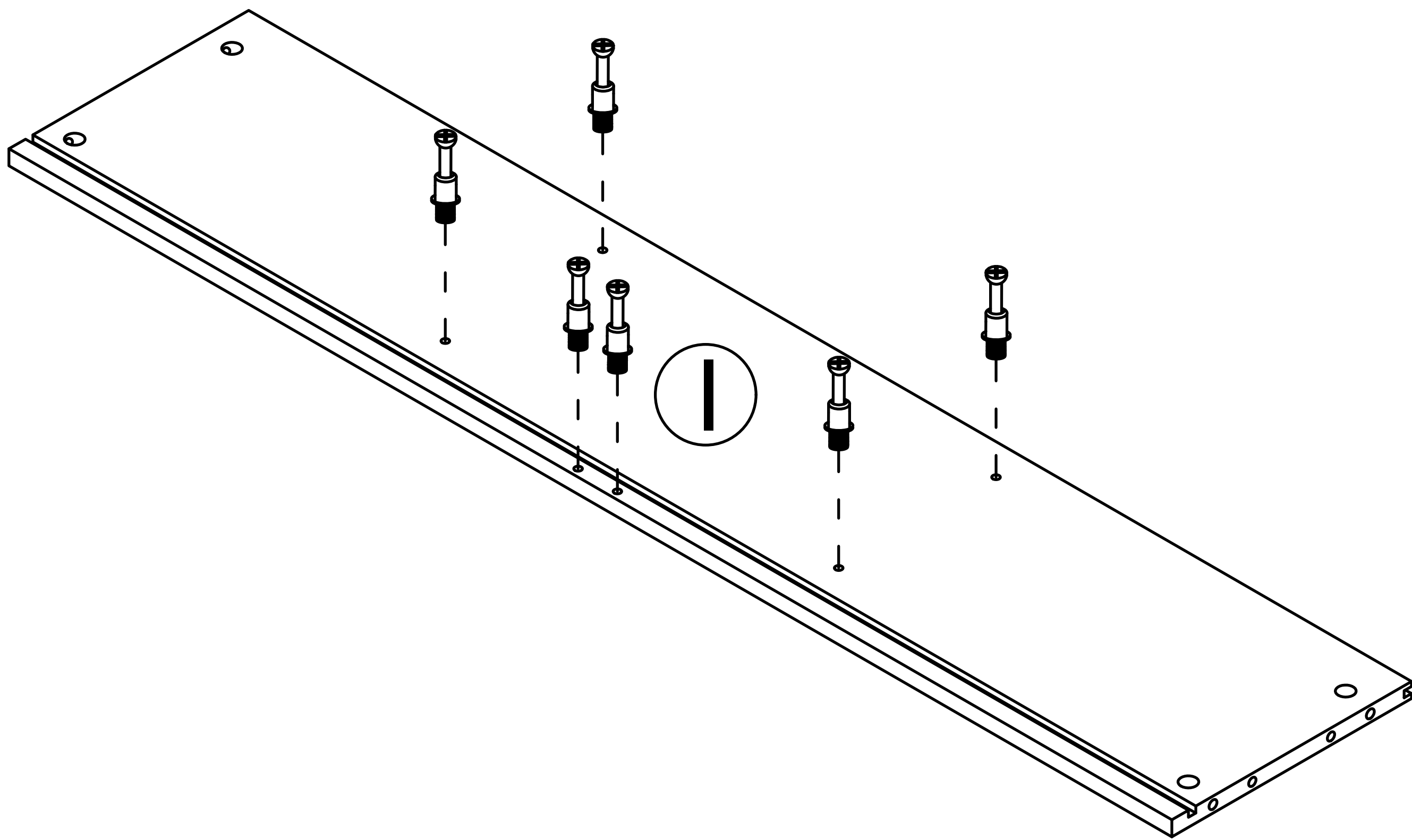
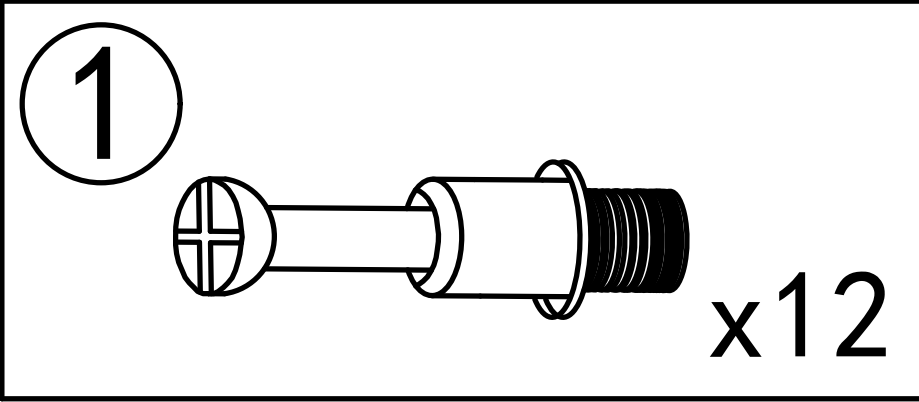
2



x4

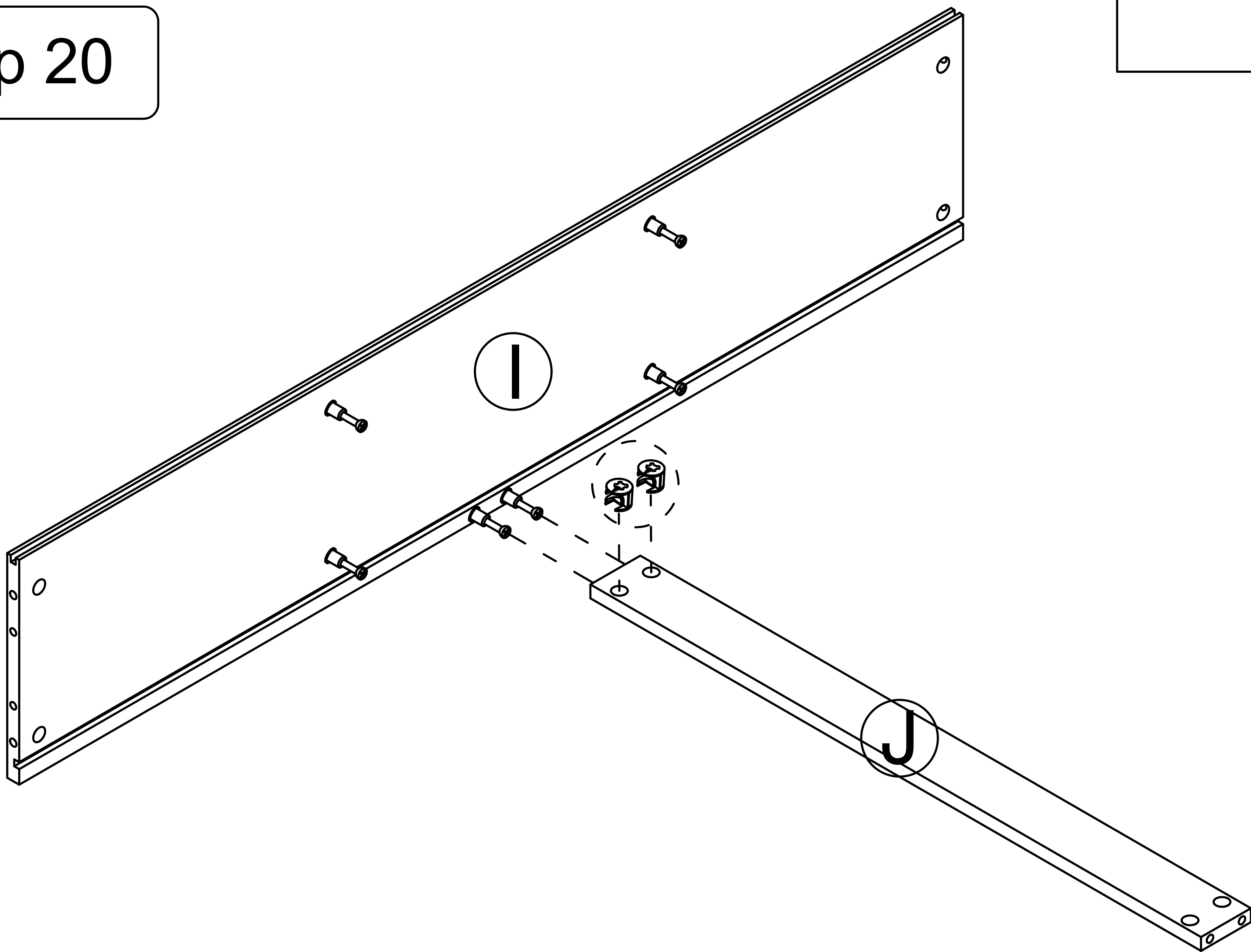
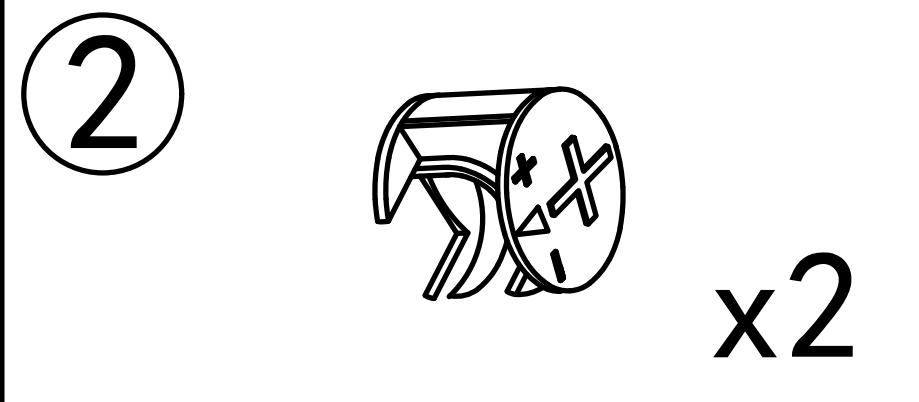


Step 19



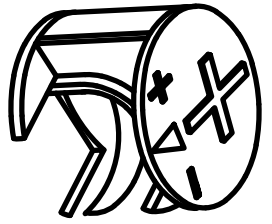
x2

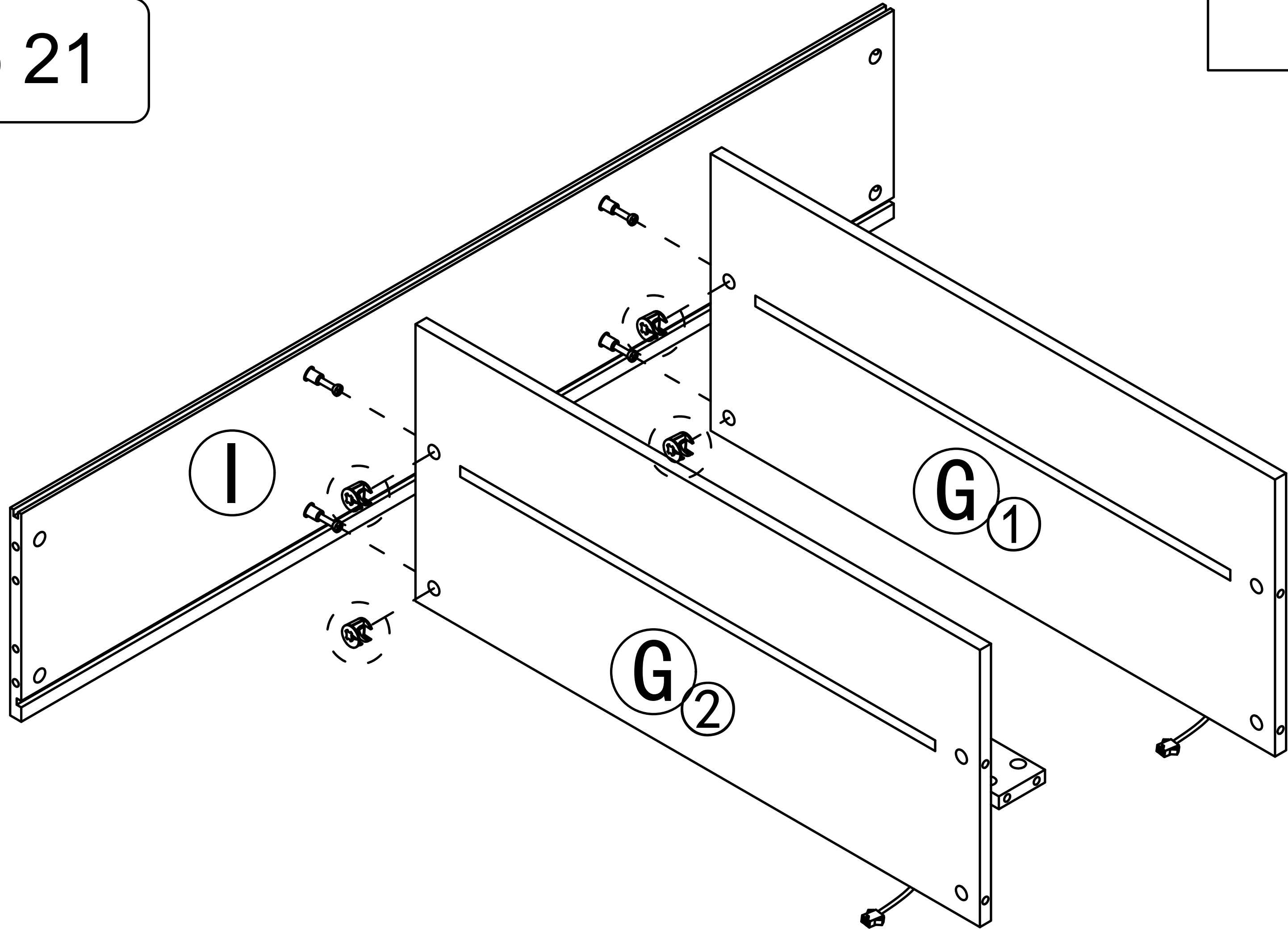
Step 20



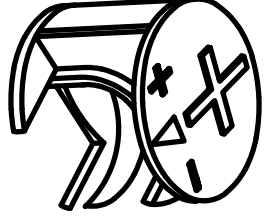
15

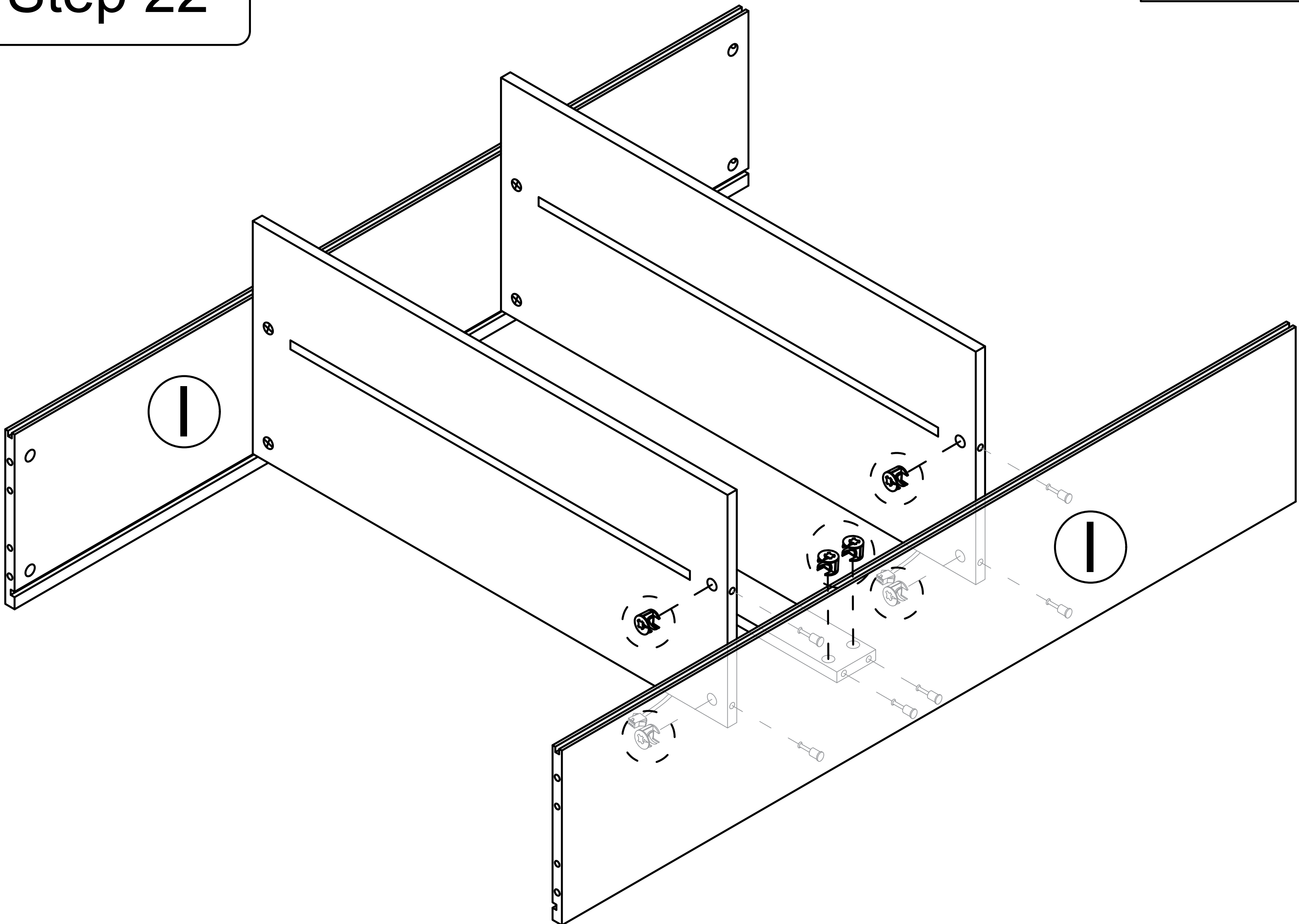
Step 21

②  x4

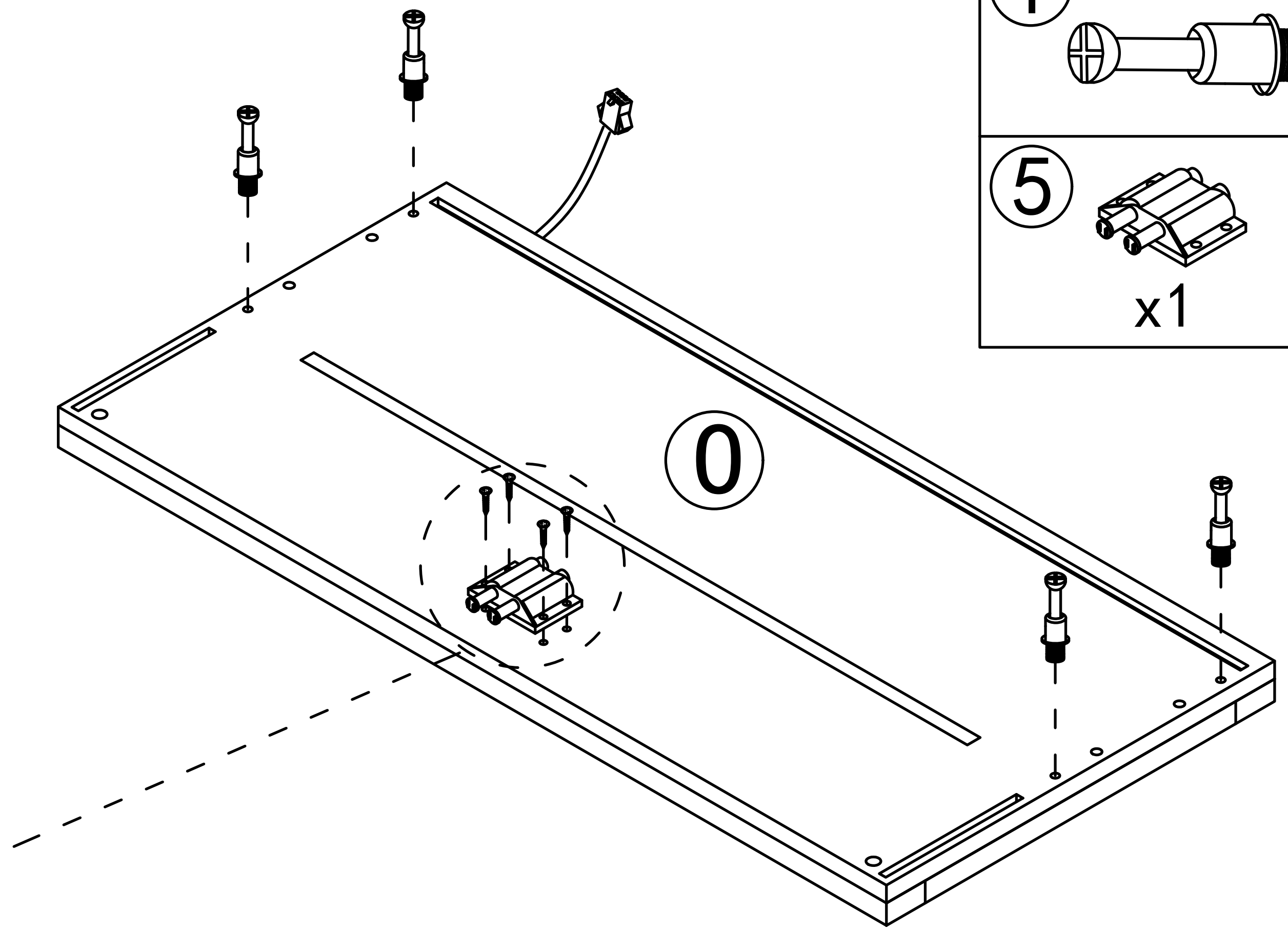
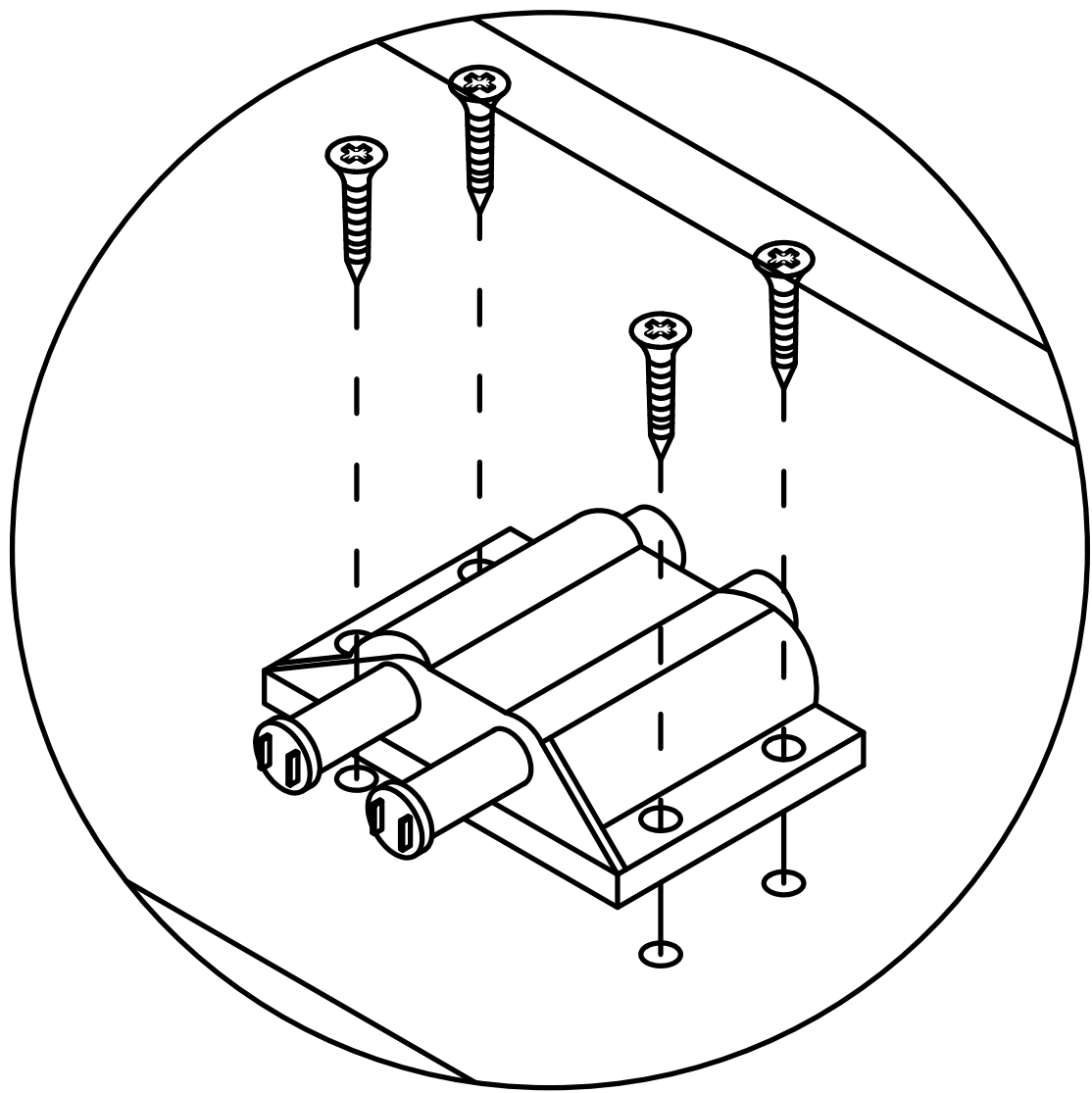


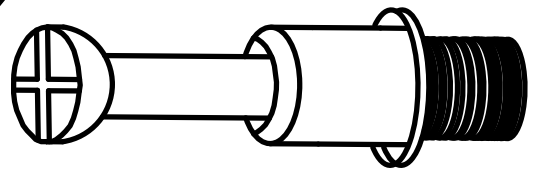
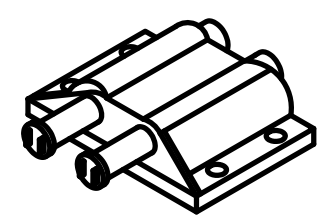
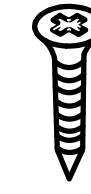
Step 22

②  x6

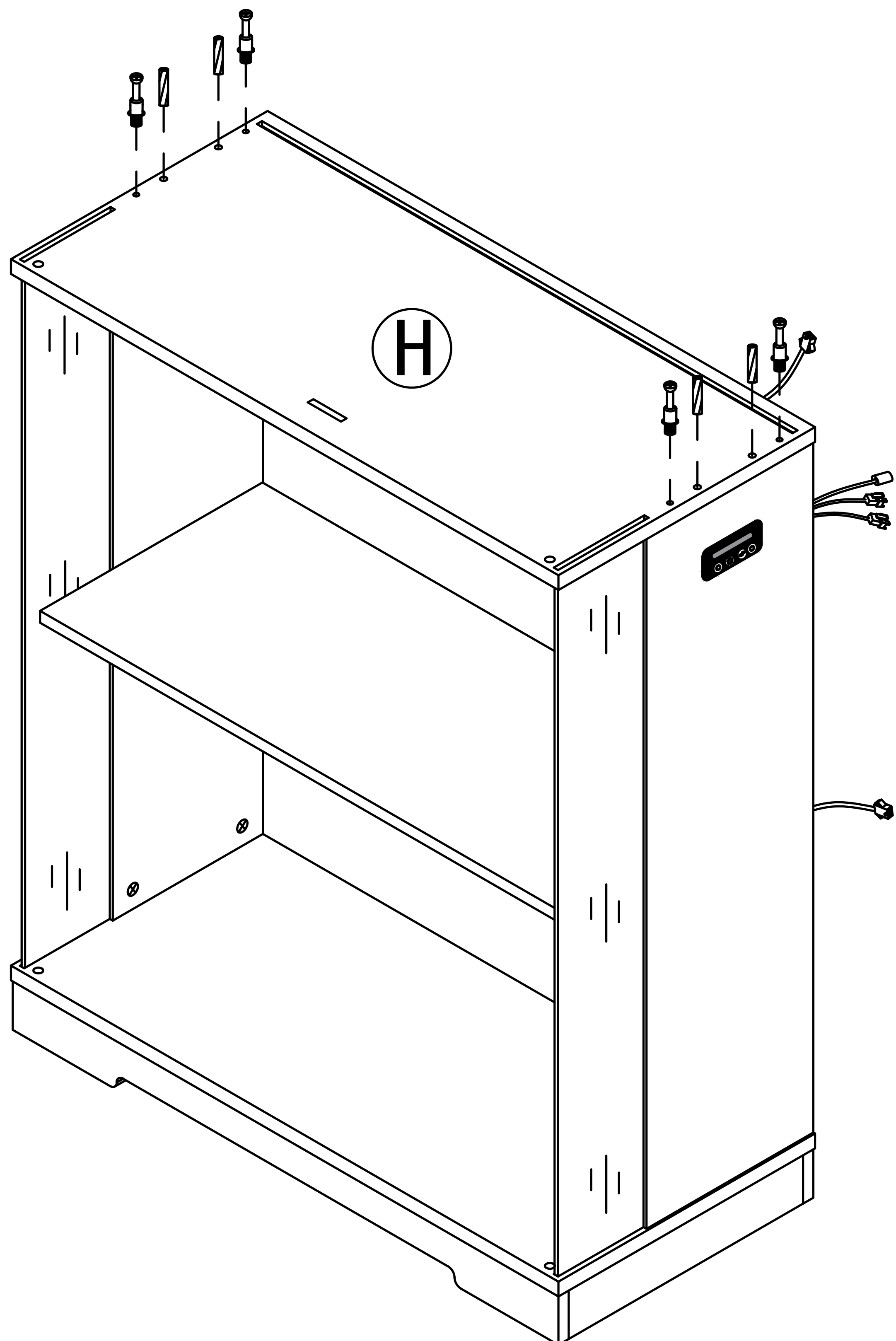


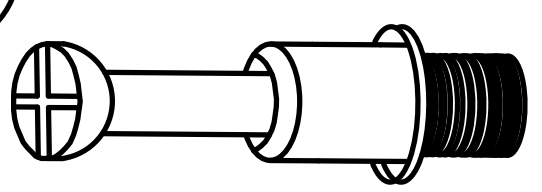
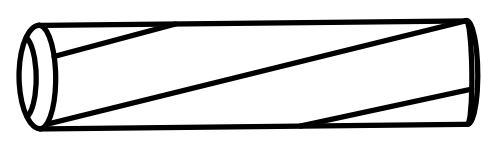
Step 23



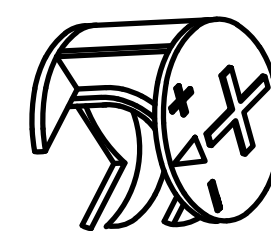
- ①  x4
- ⑤  x1  x4

Step 24



- ①  x4
- ③  x4

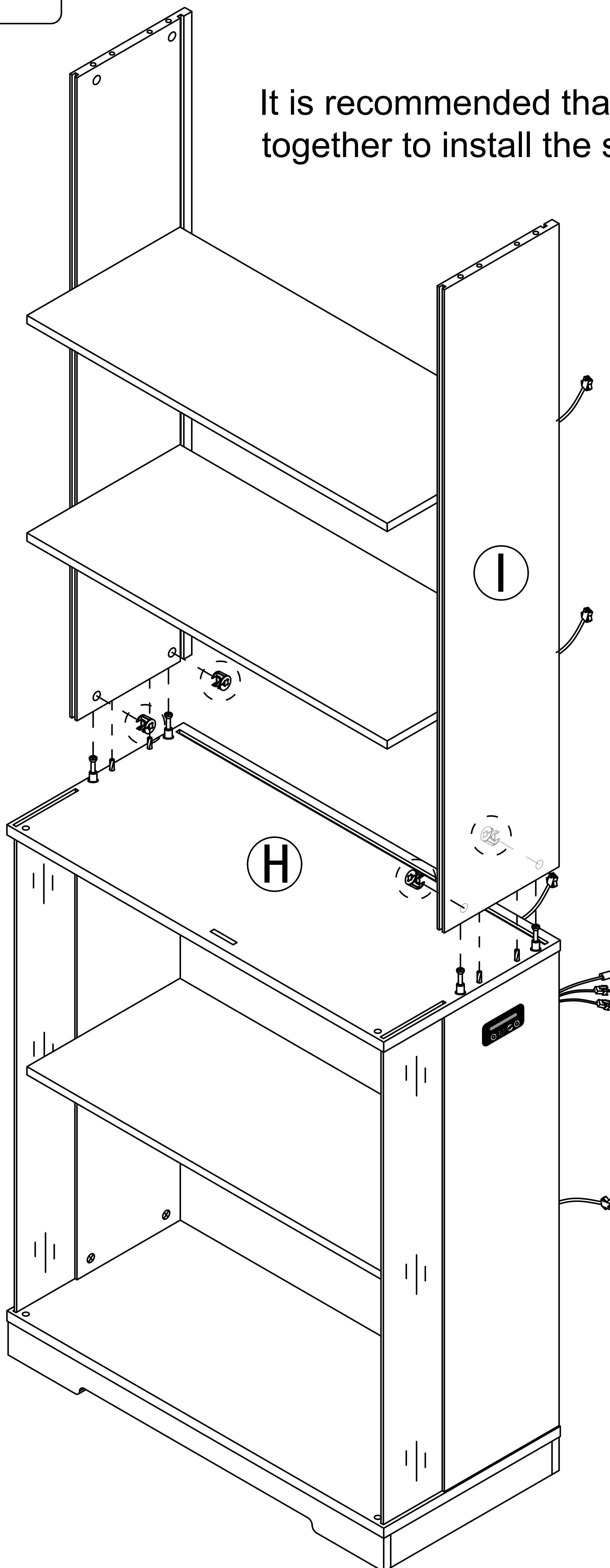
2



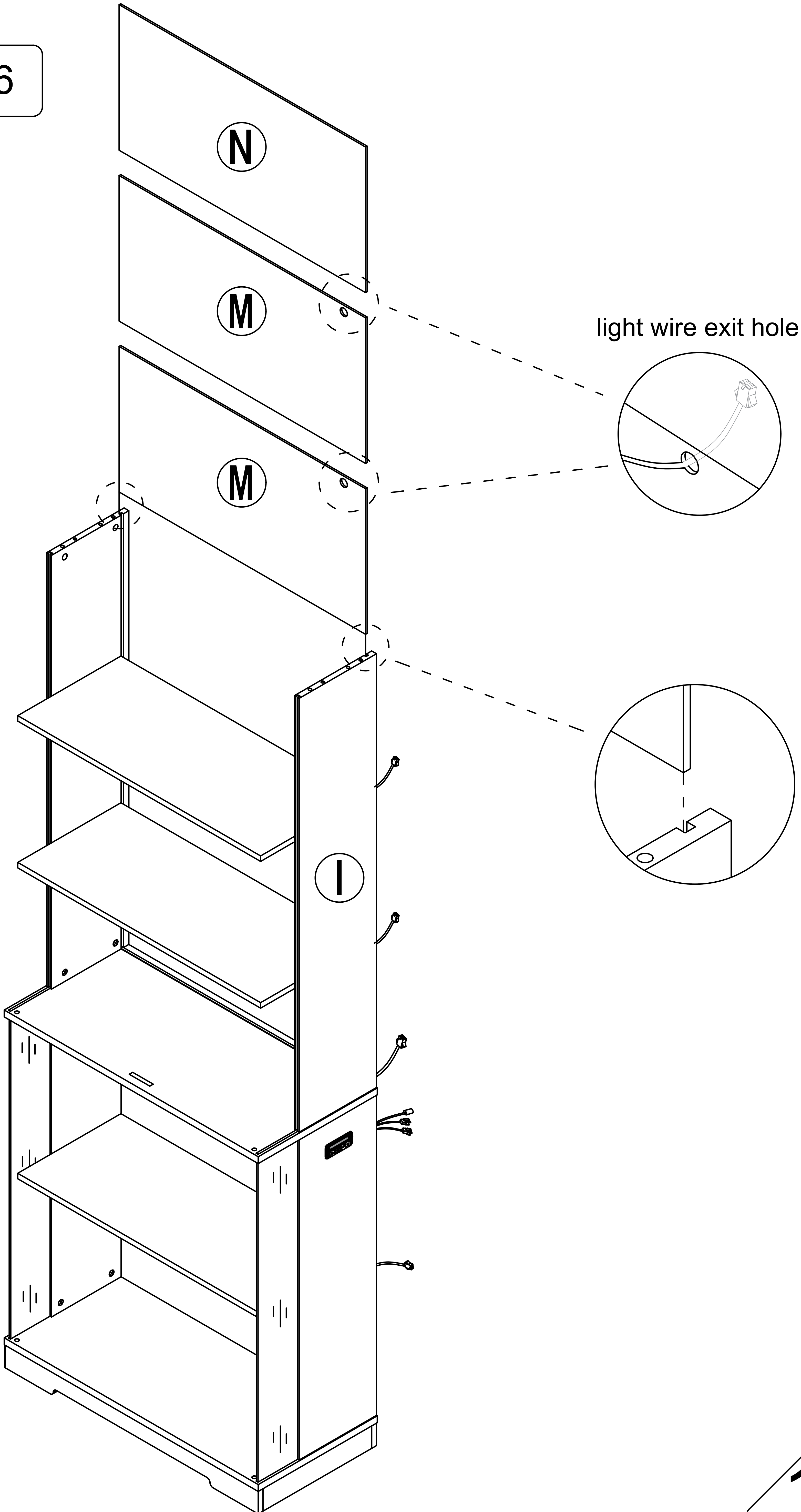
x4

Step 25

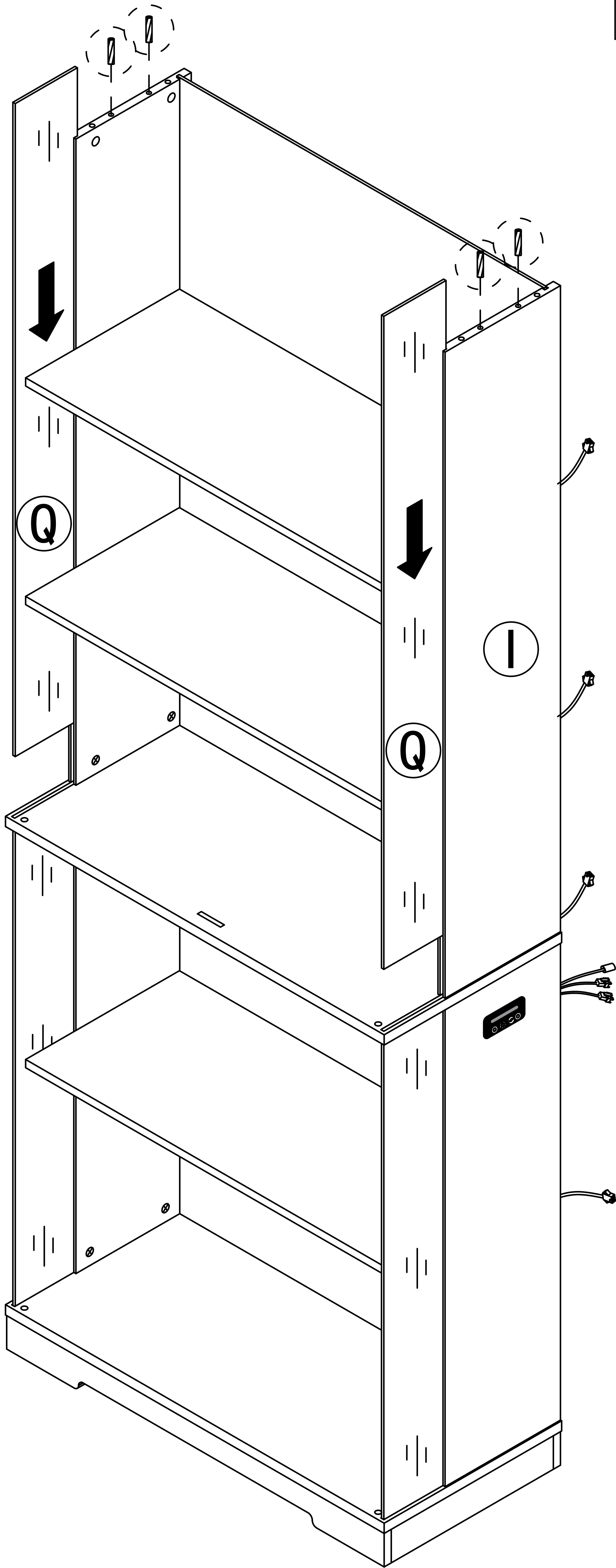
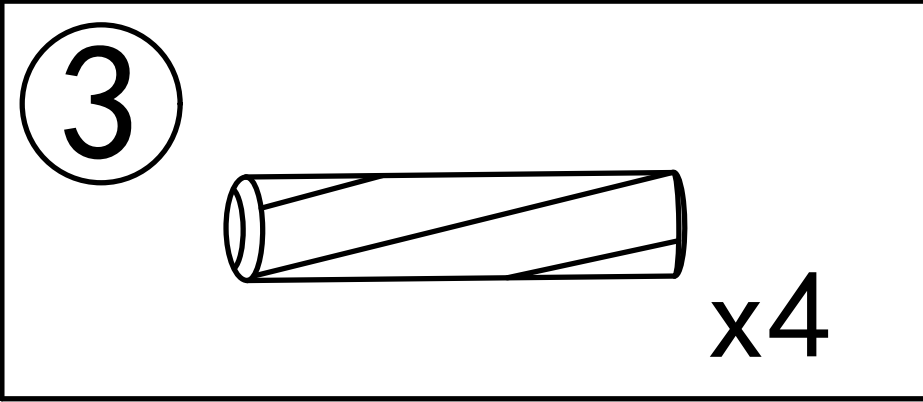
It is recommended that two people work together to install the structural wood panels.



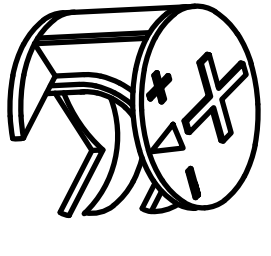
Step 26

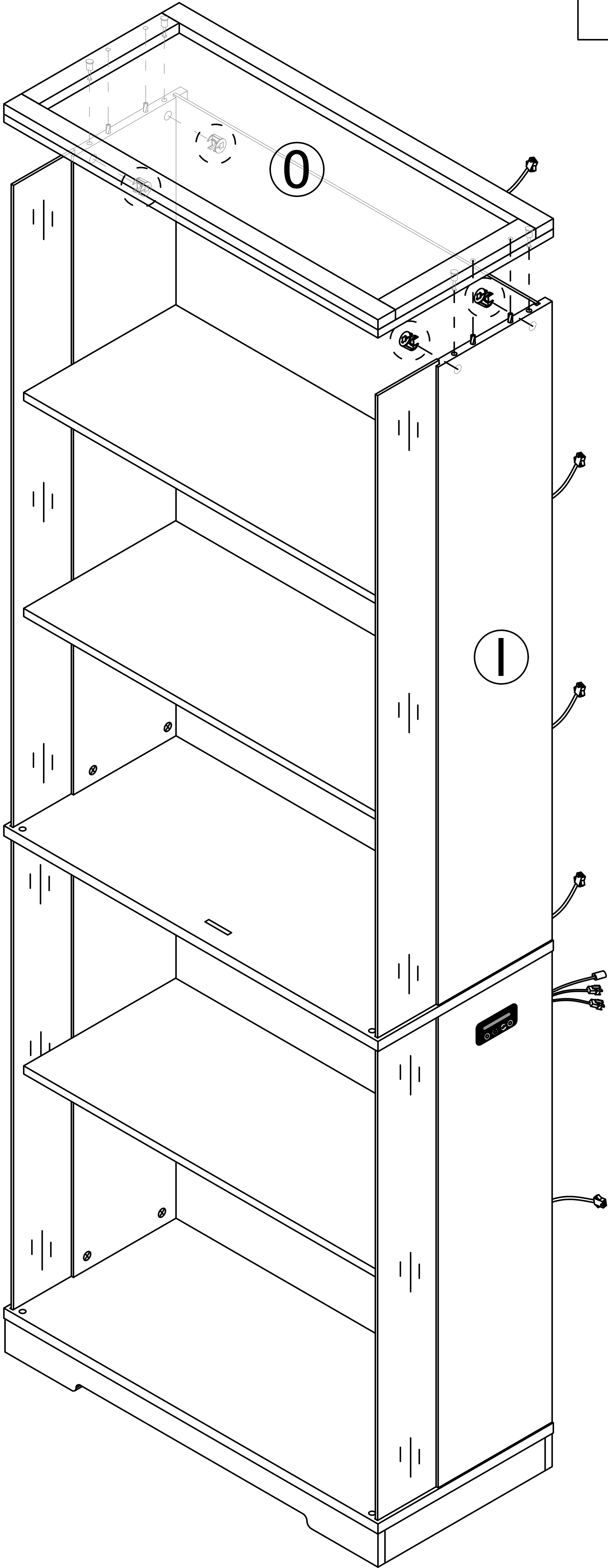


Step 27

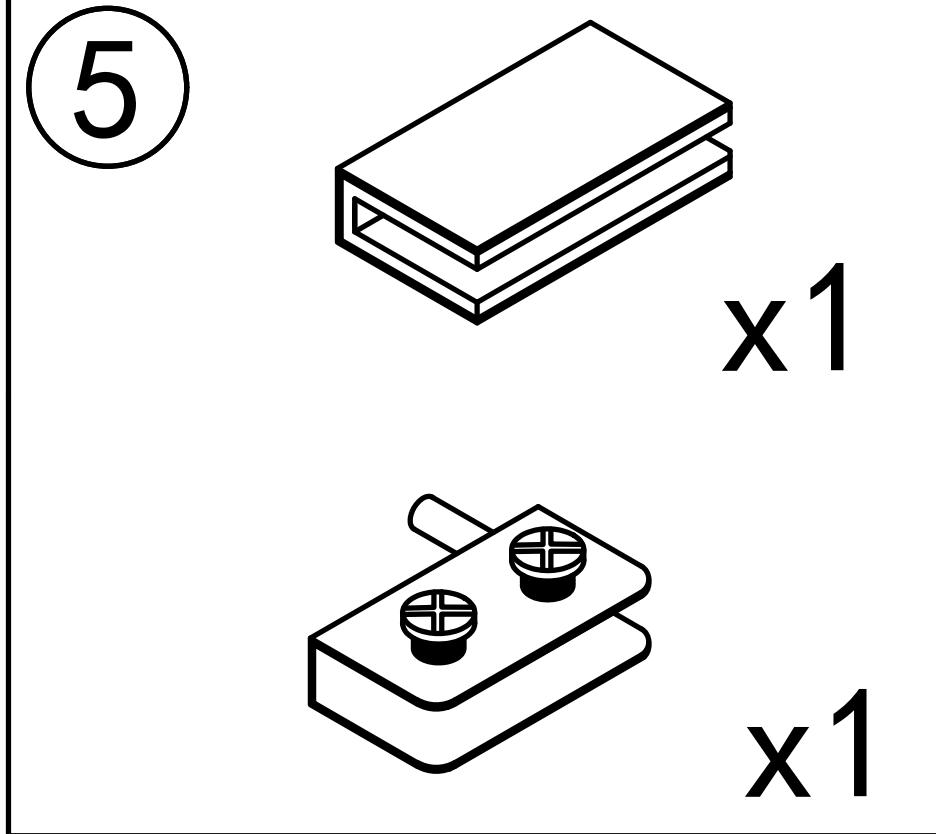
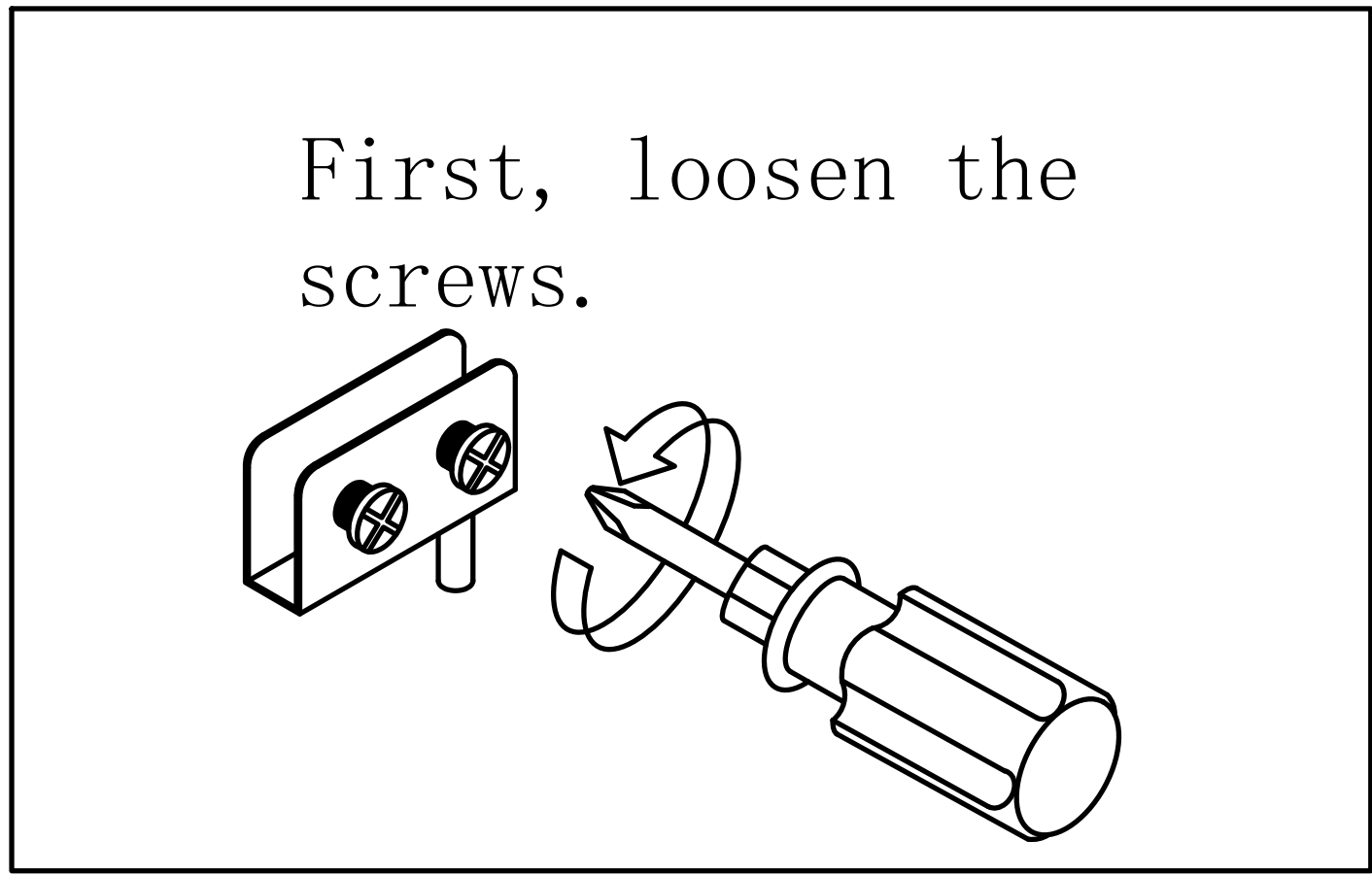


Step 28

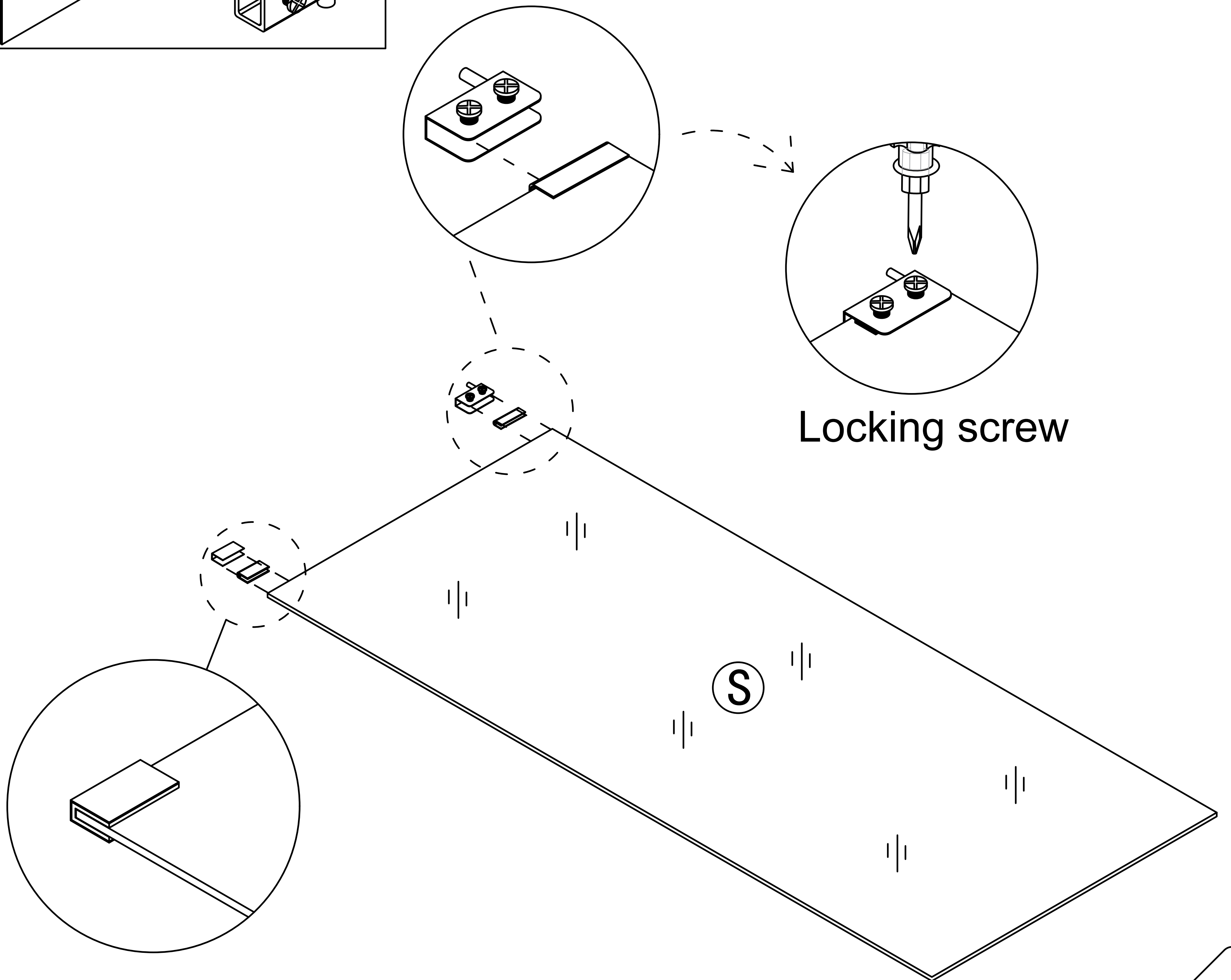
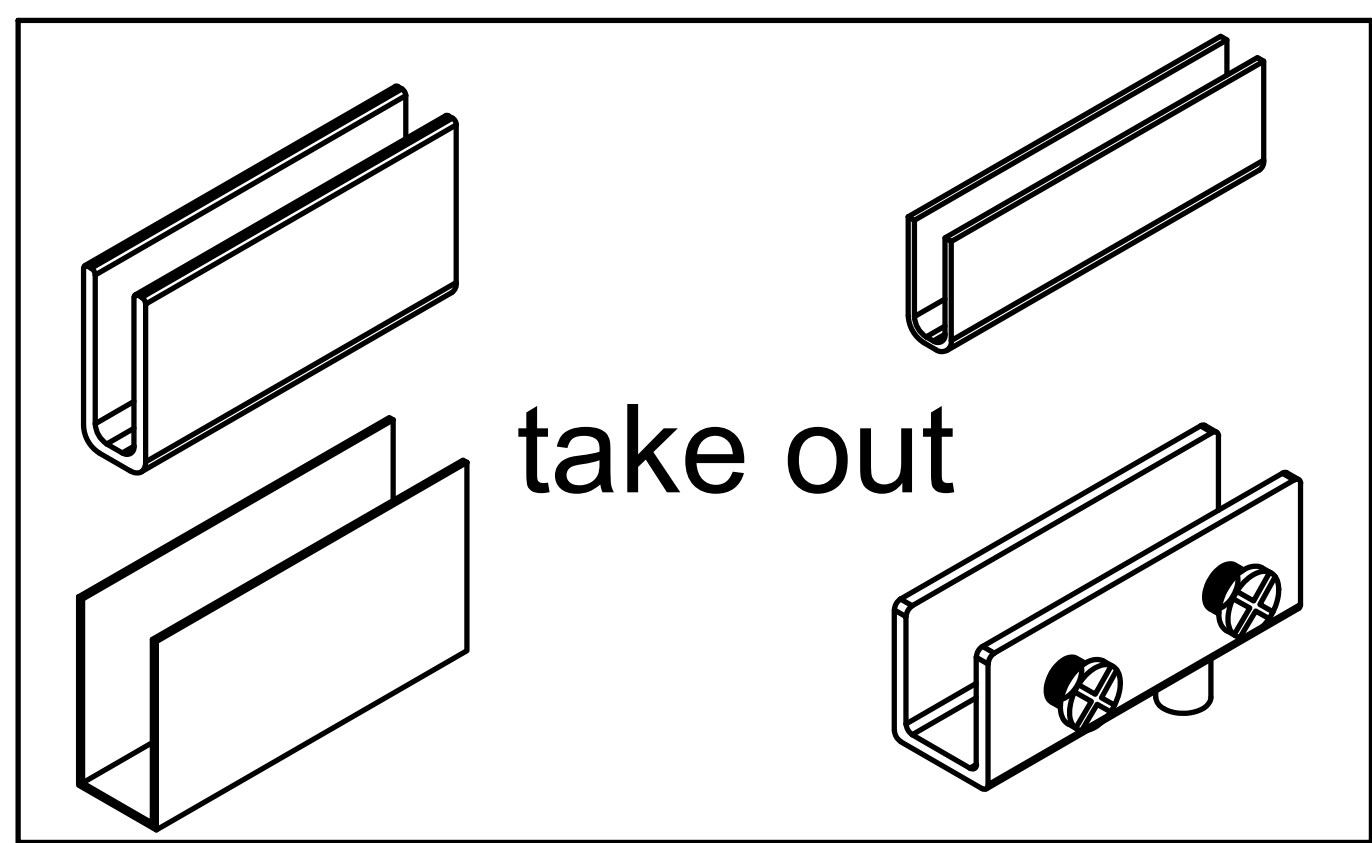
②  x4



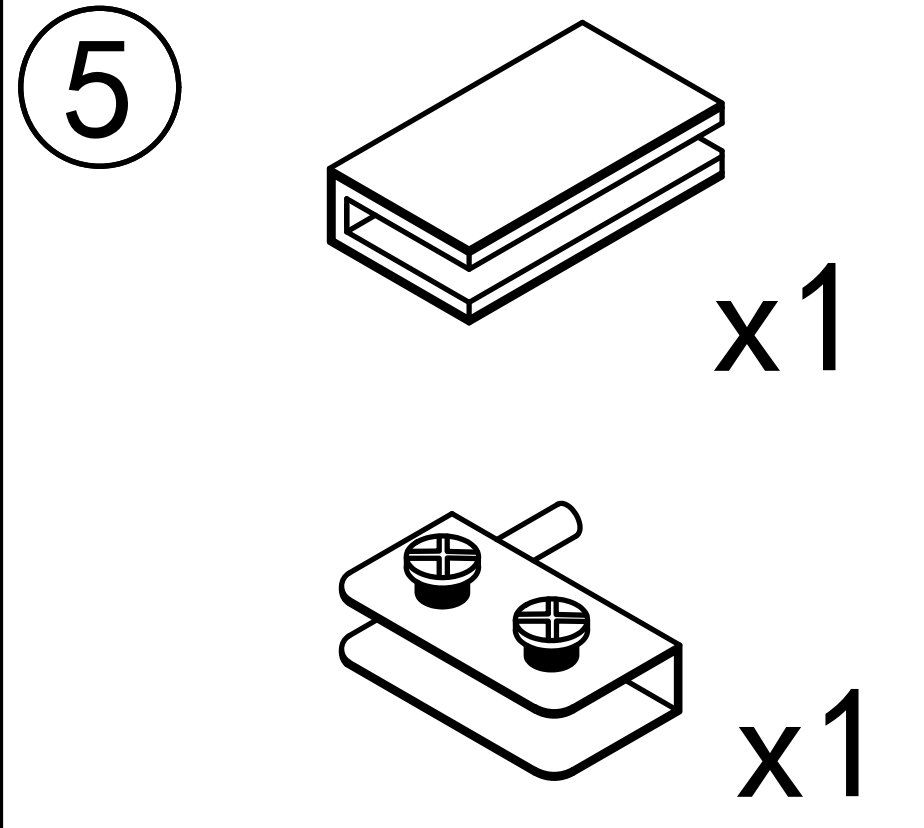
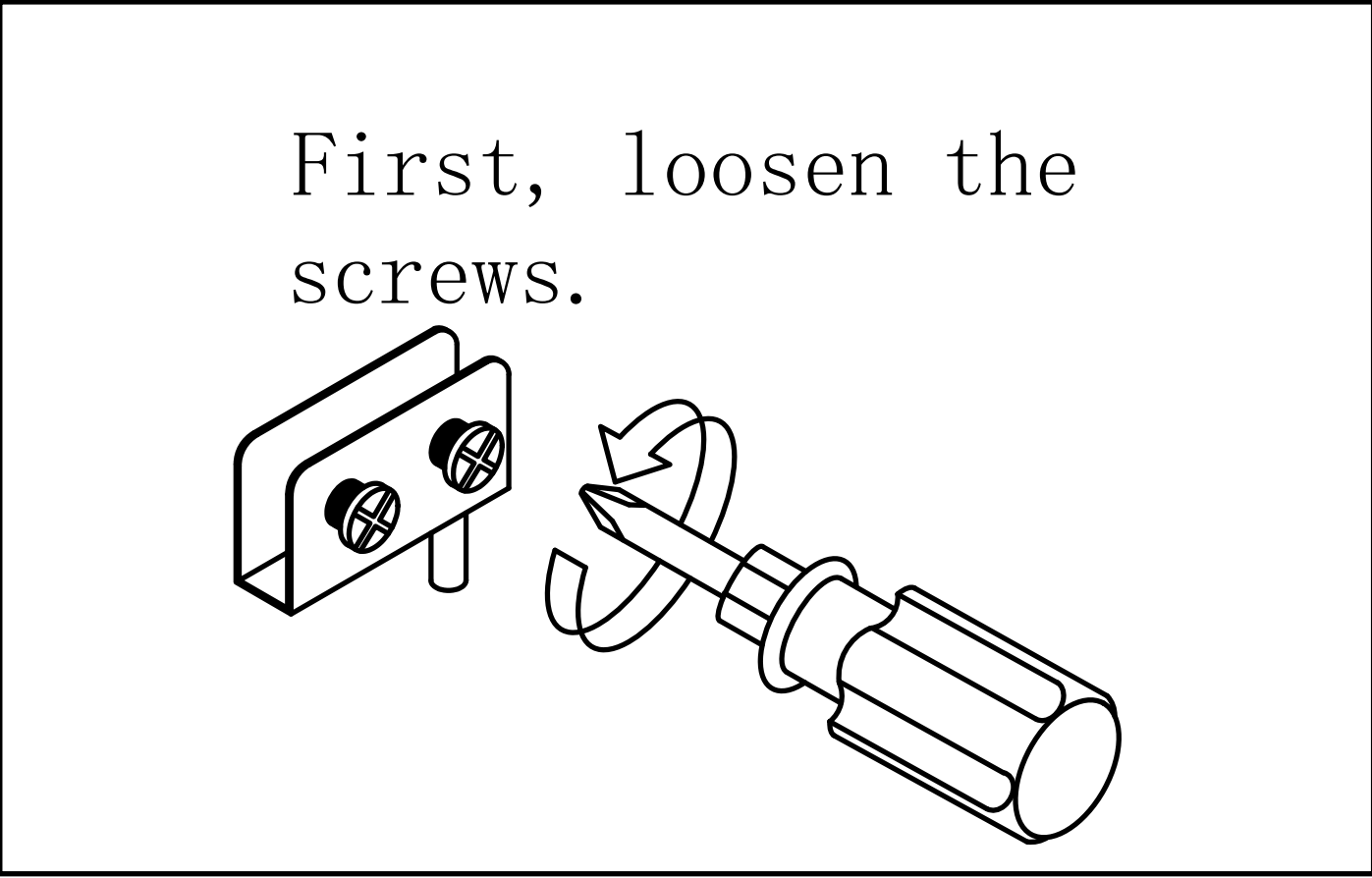
# Step 29



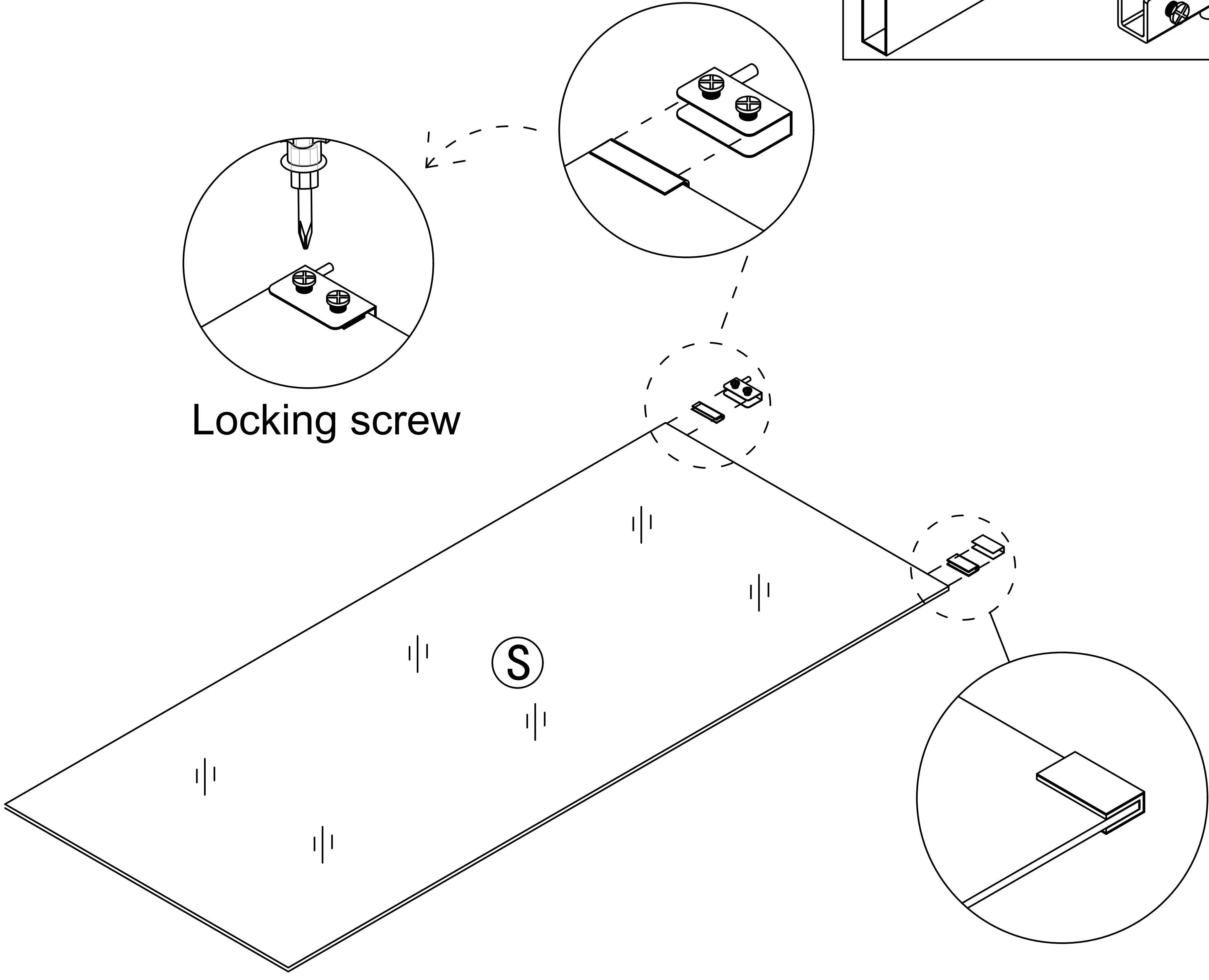
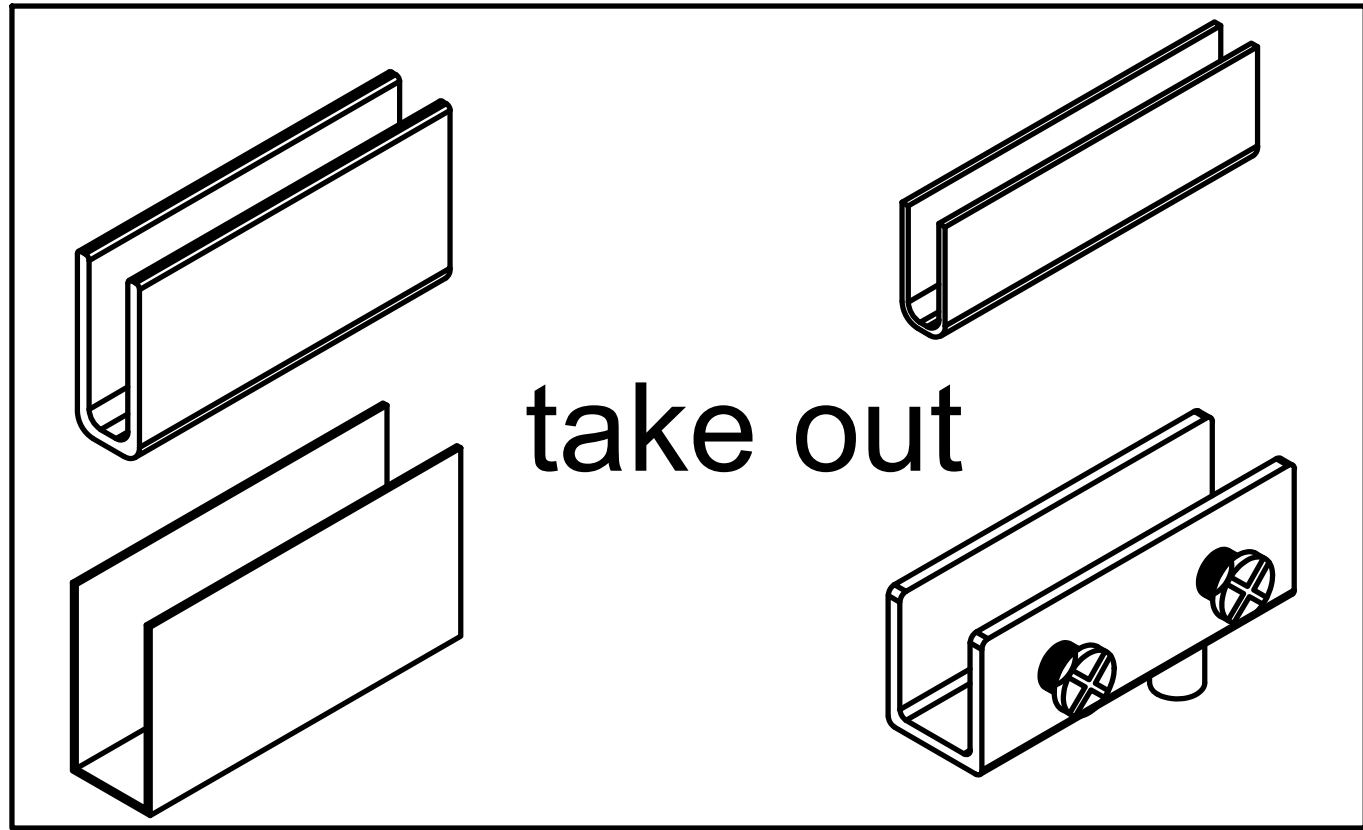
1. Take out the white foam pad
2. Fit the pad around the edge of the glass panel
3. Then slide the metal clamp over the assembled position
4. Finally, tighten the screws securely



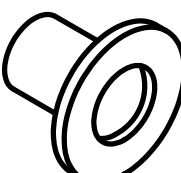
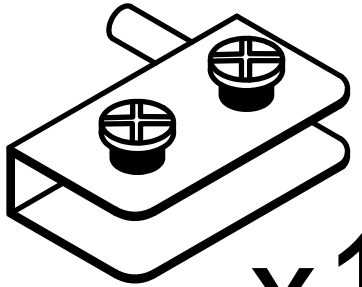
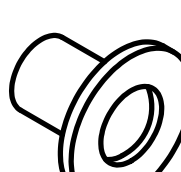
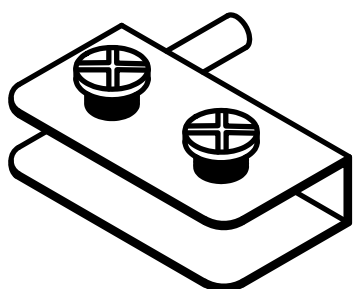
# Step 30

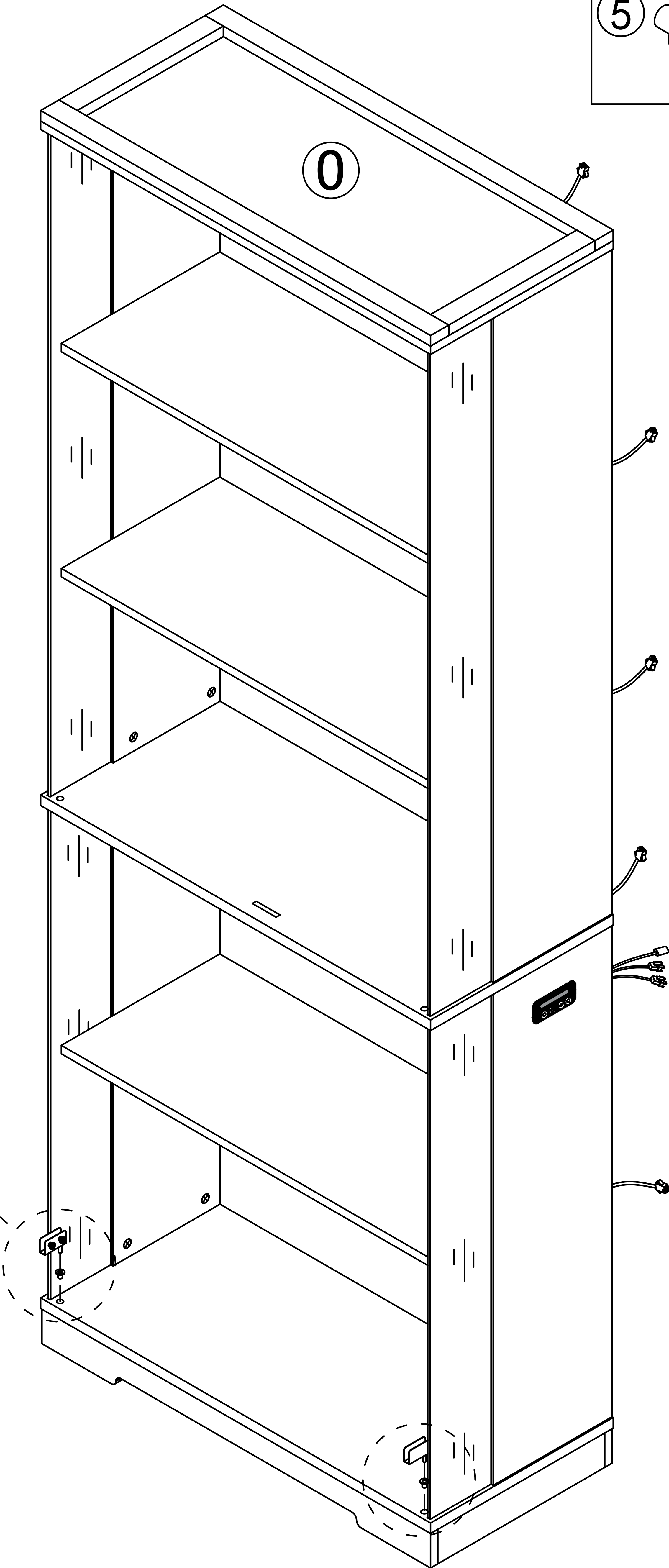
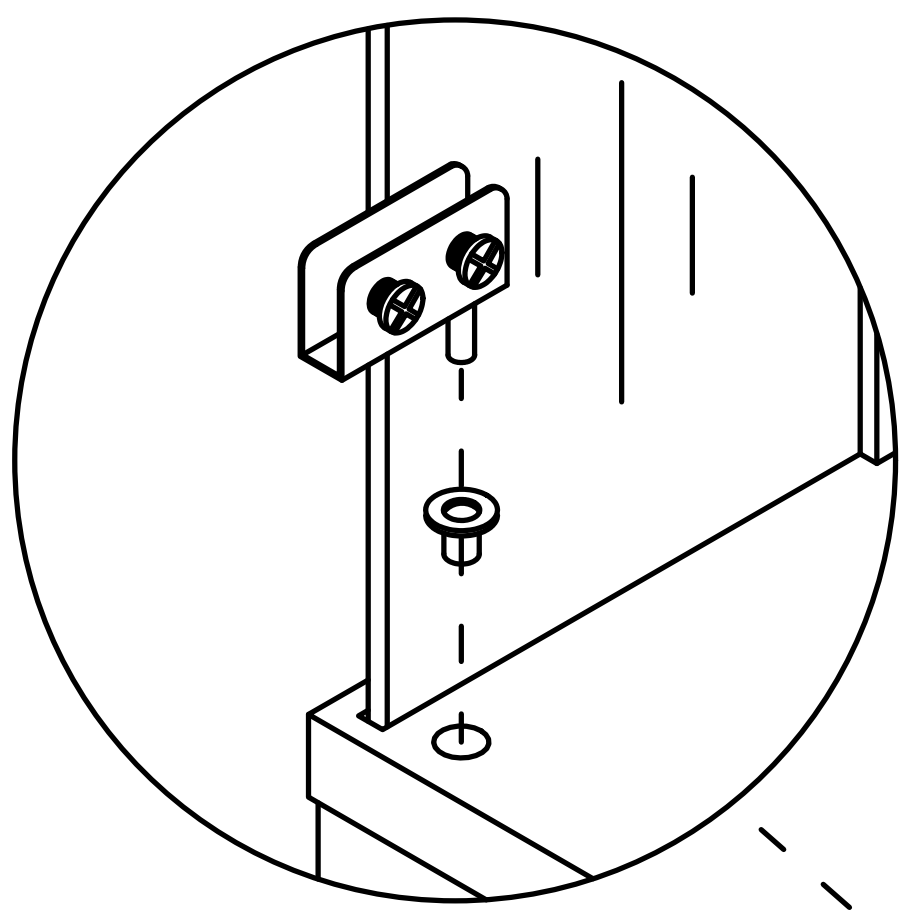


1. Take out the white foam pad
2. Fit the pad around the edge of the glass panel
3. Then slide the metal clamp over the assembled position
4. Finally, tighten the screws securely



Step 31

- 5   x1
- 5   x1



Pay attention to the direction of the door hinge during installation

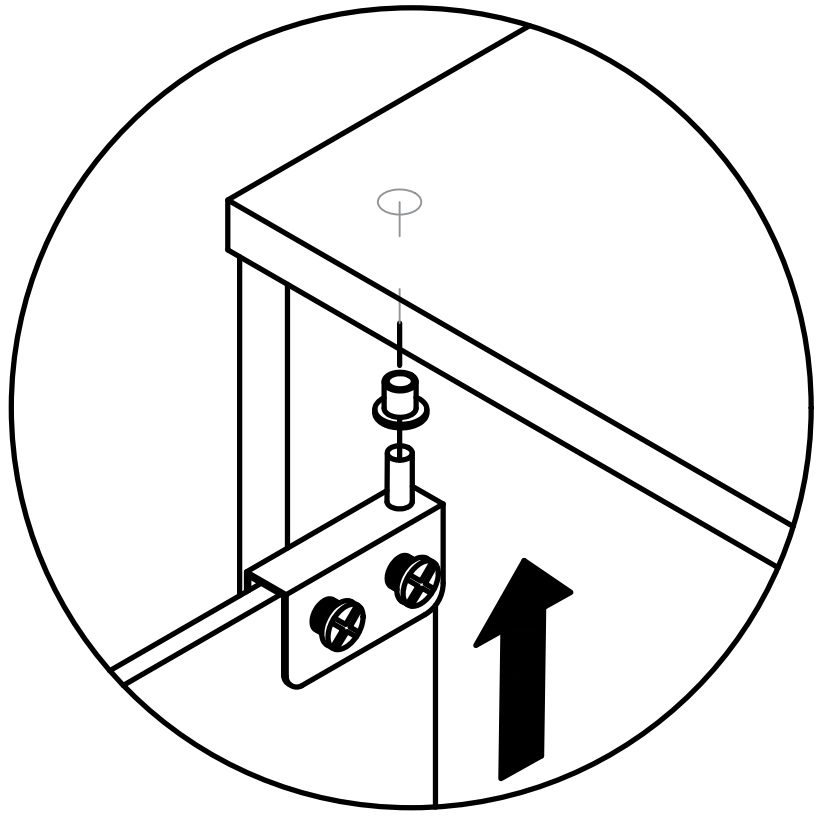
5



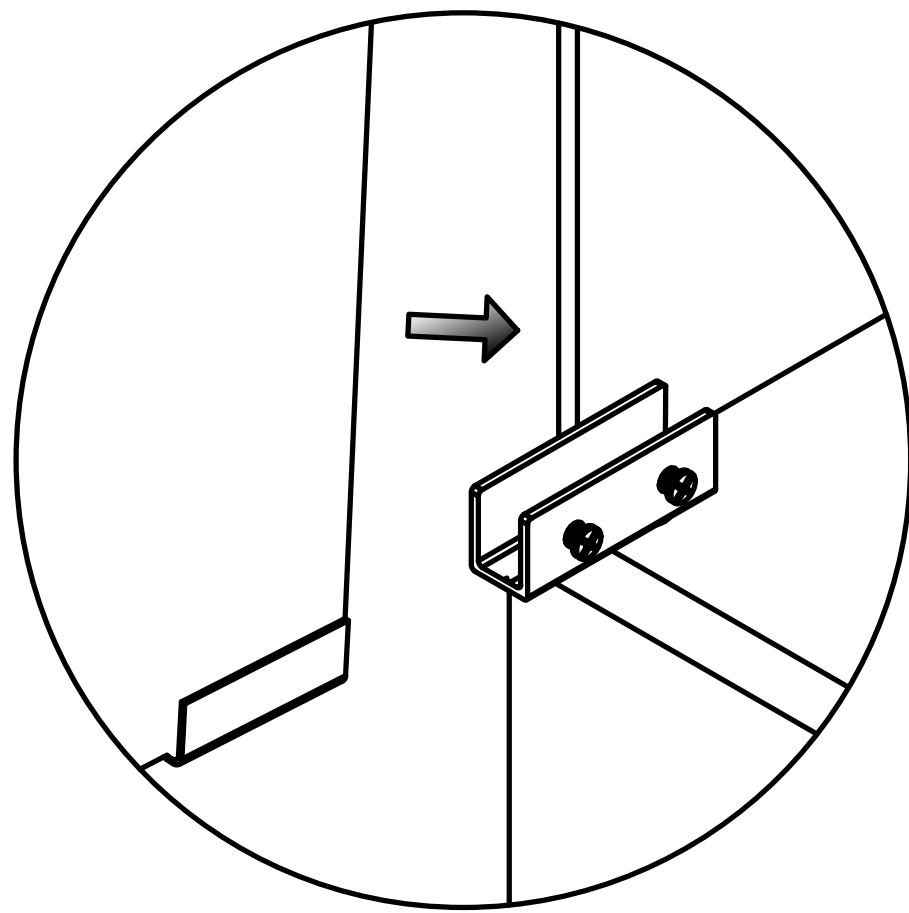
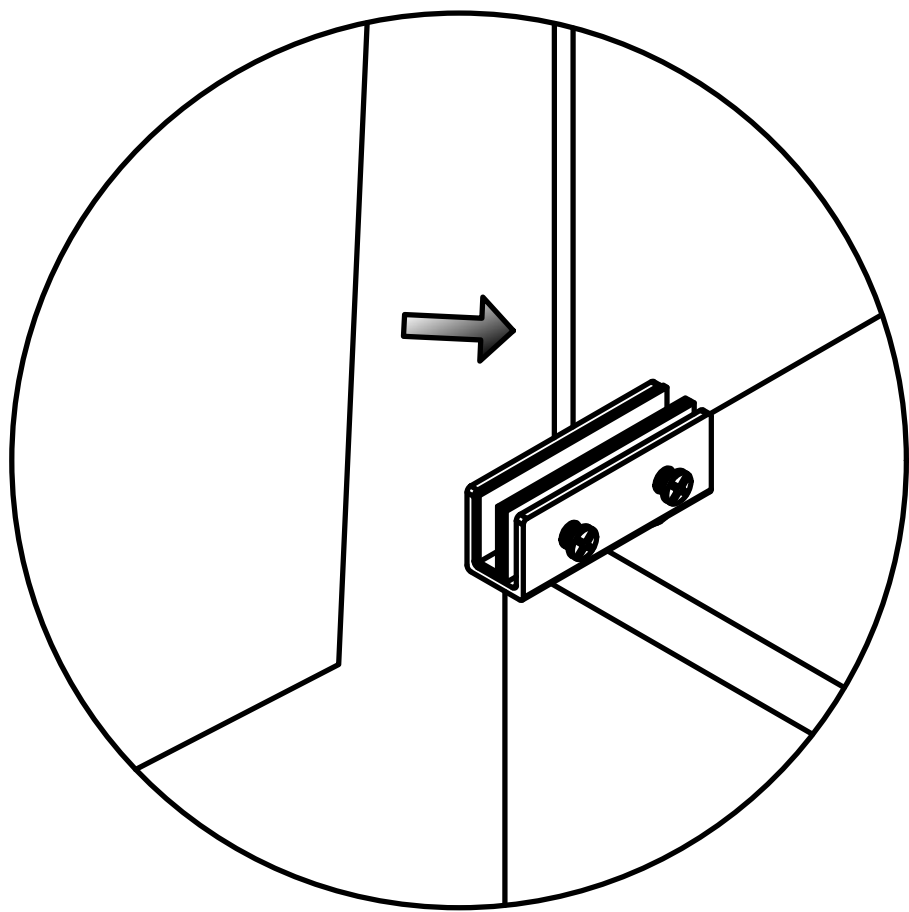
x2

## Step 32

When installing a glass door, it is recommended to have two people install it to avoid the glass door colliding or hitting oneself.

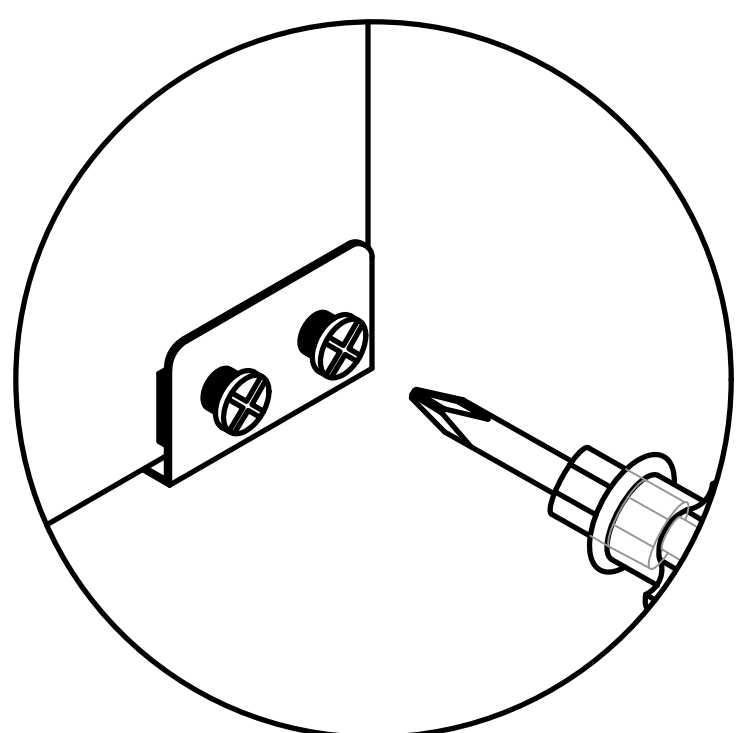


first



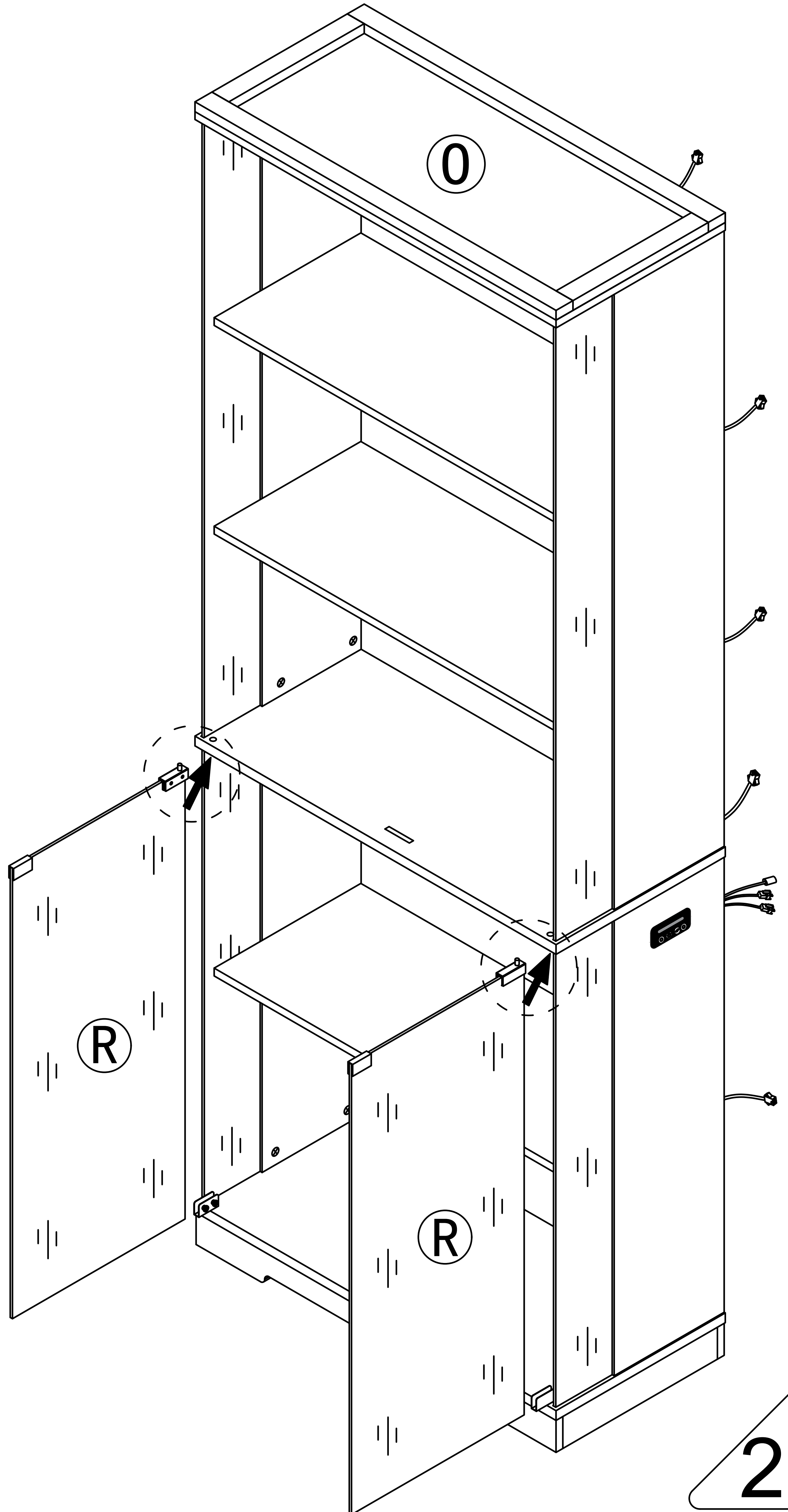
second

Insert the glass into the door hinge's slot.



third

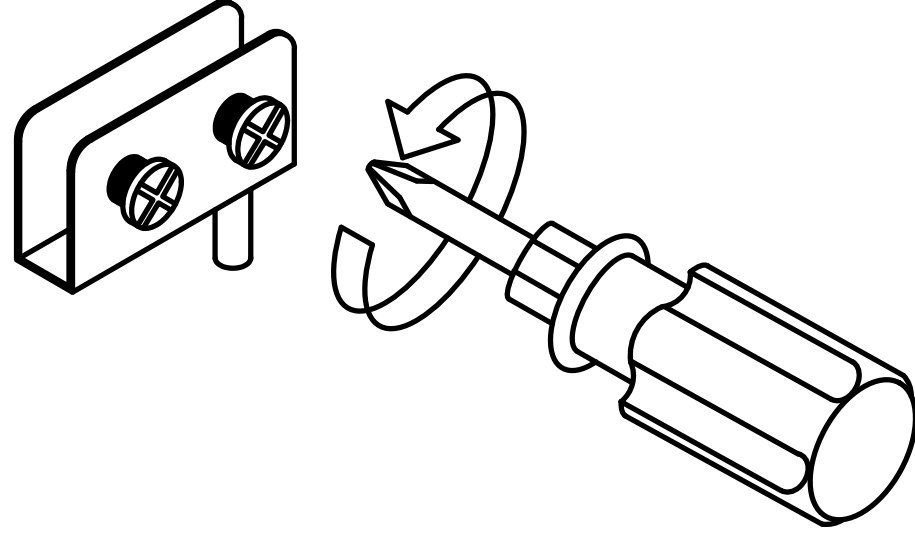
Locking screw



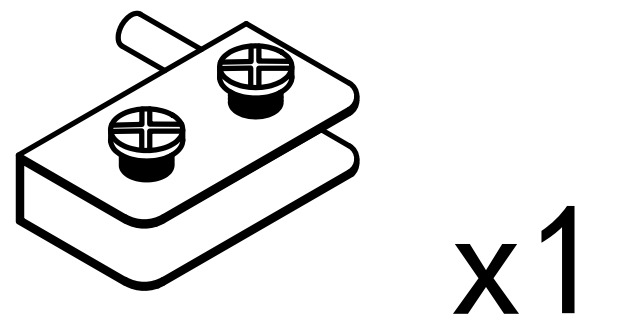
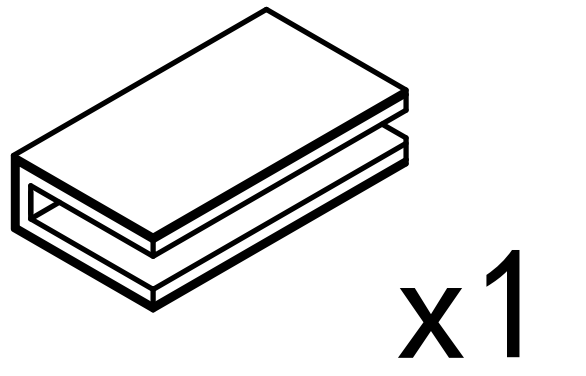
25

# Step 33

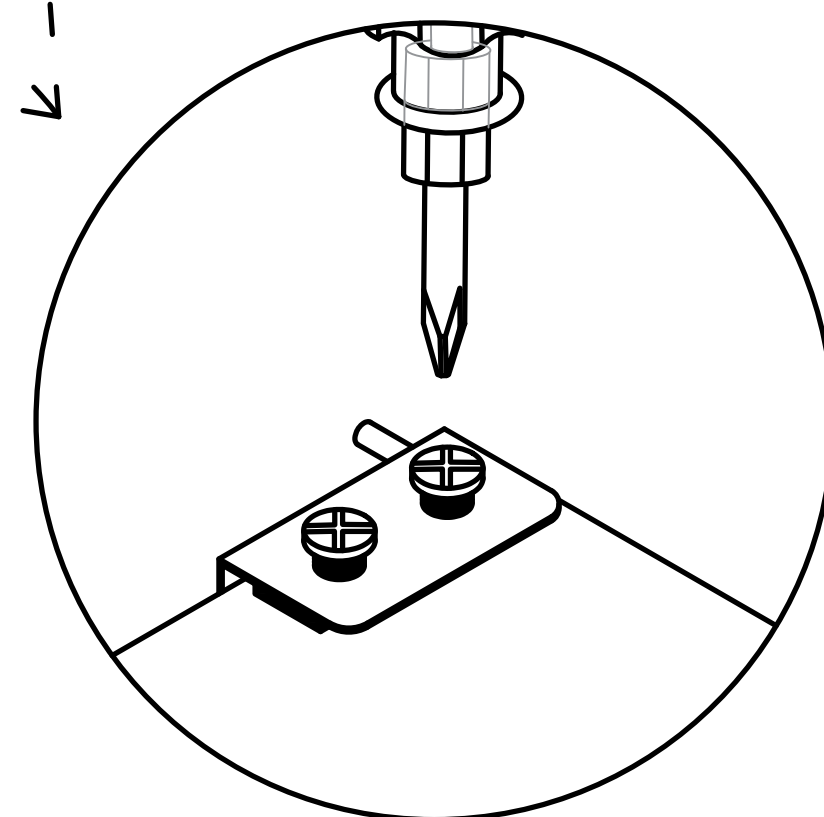
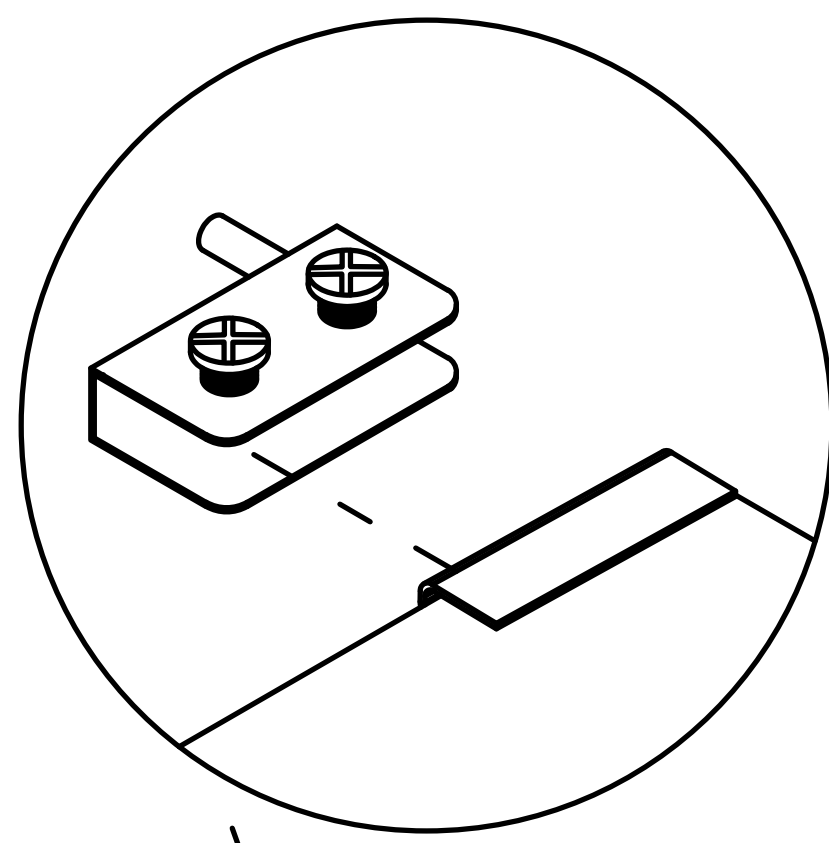
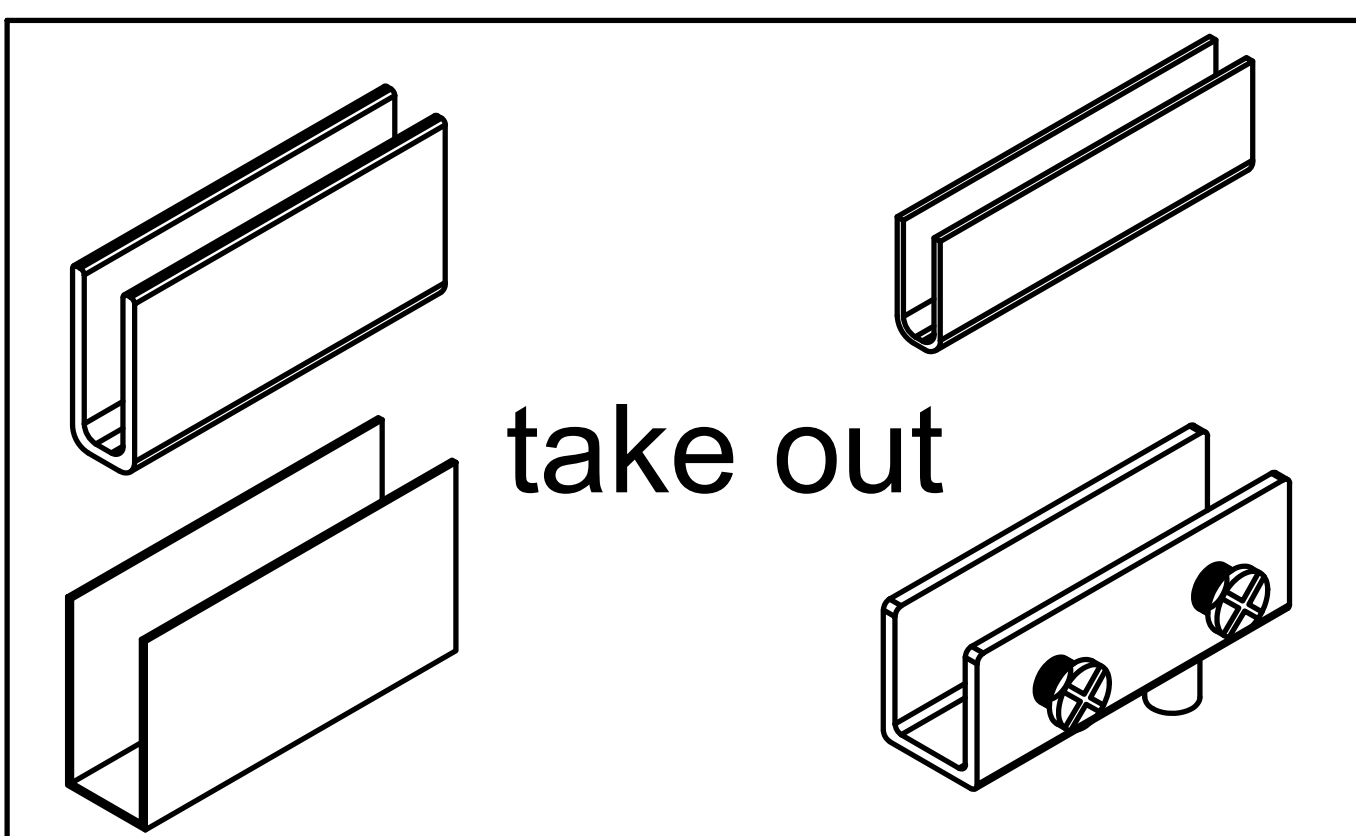
First, loosen the screws.



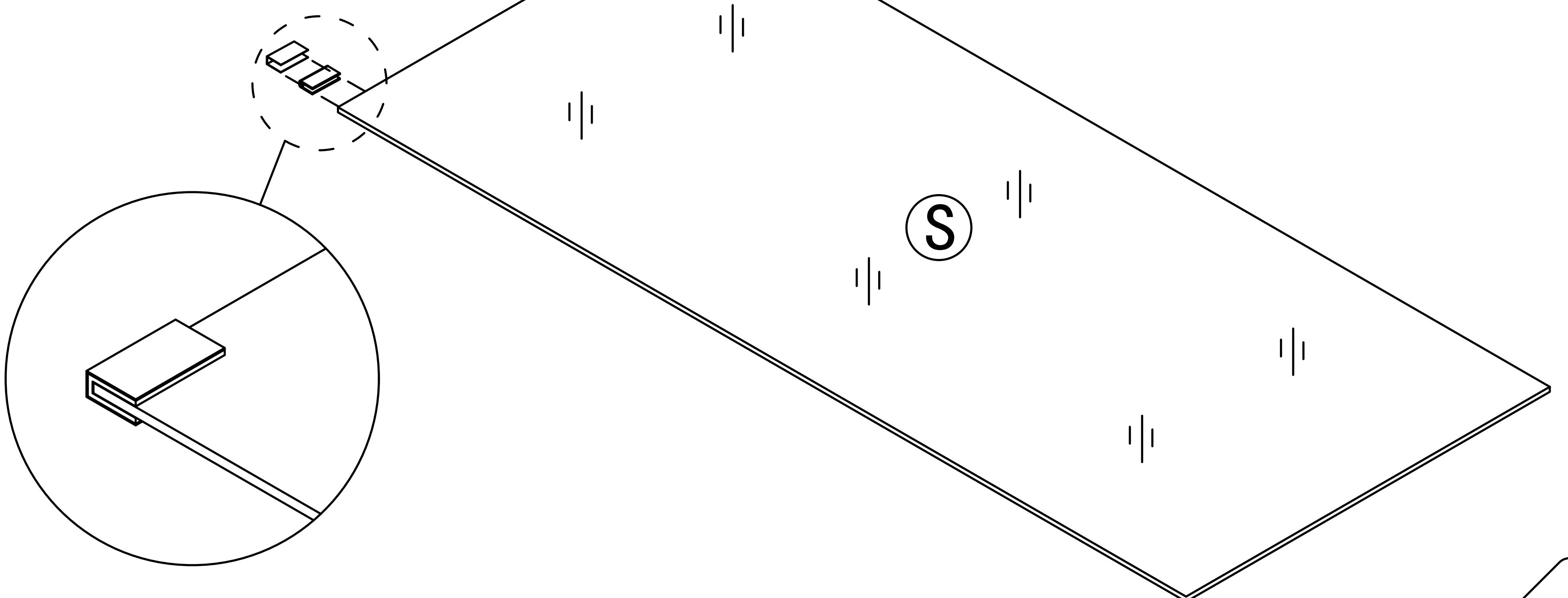
5



1. Take out the white foam pad
2. Fit the pad around the edge of the glass panel
3. Then slide the metal clamp over the assembled position
4. Finally, tighten the screws securely

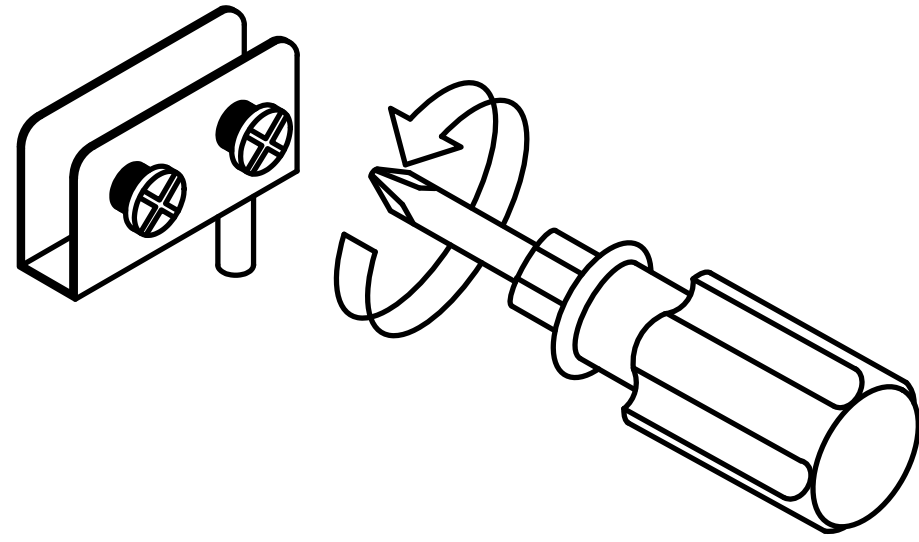


Locking screw

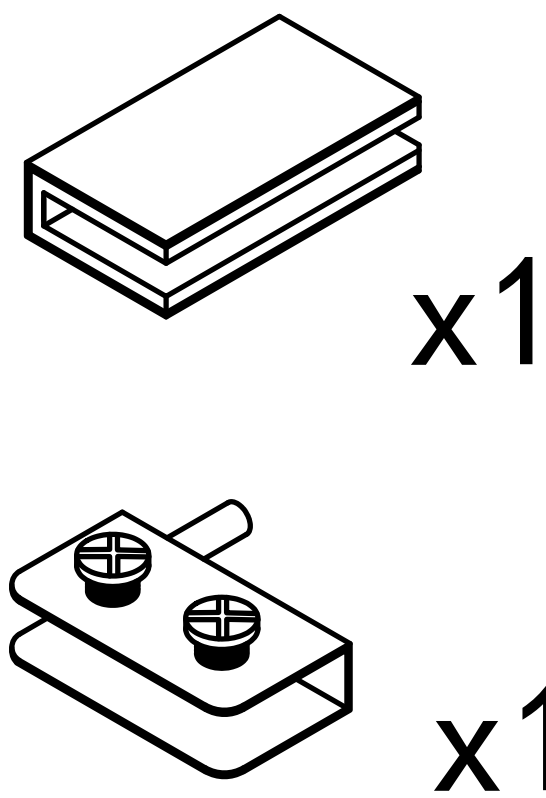


# Step 34

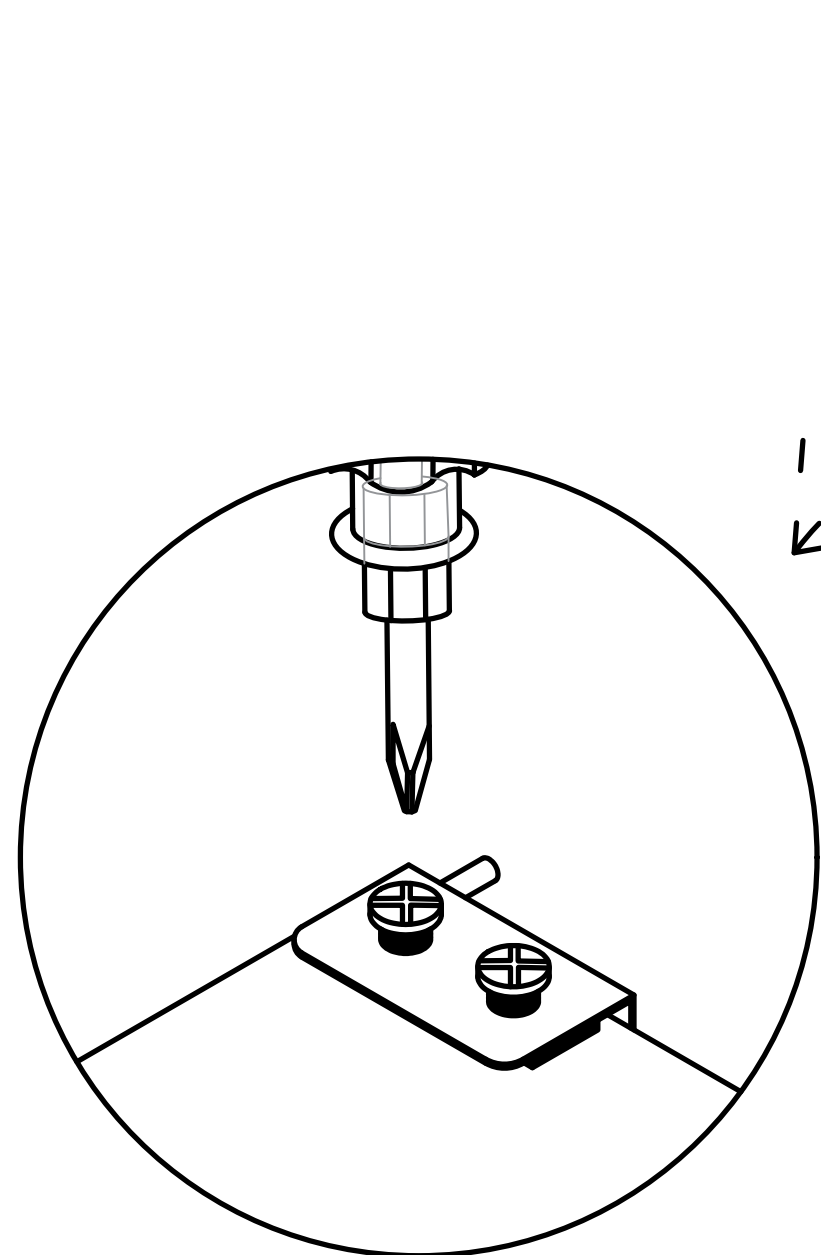
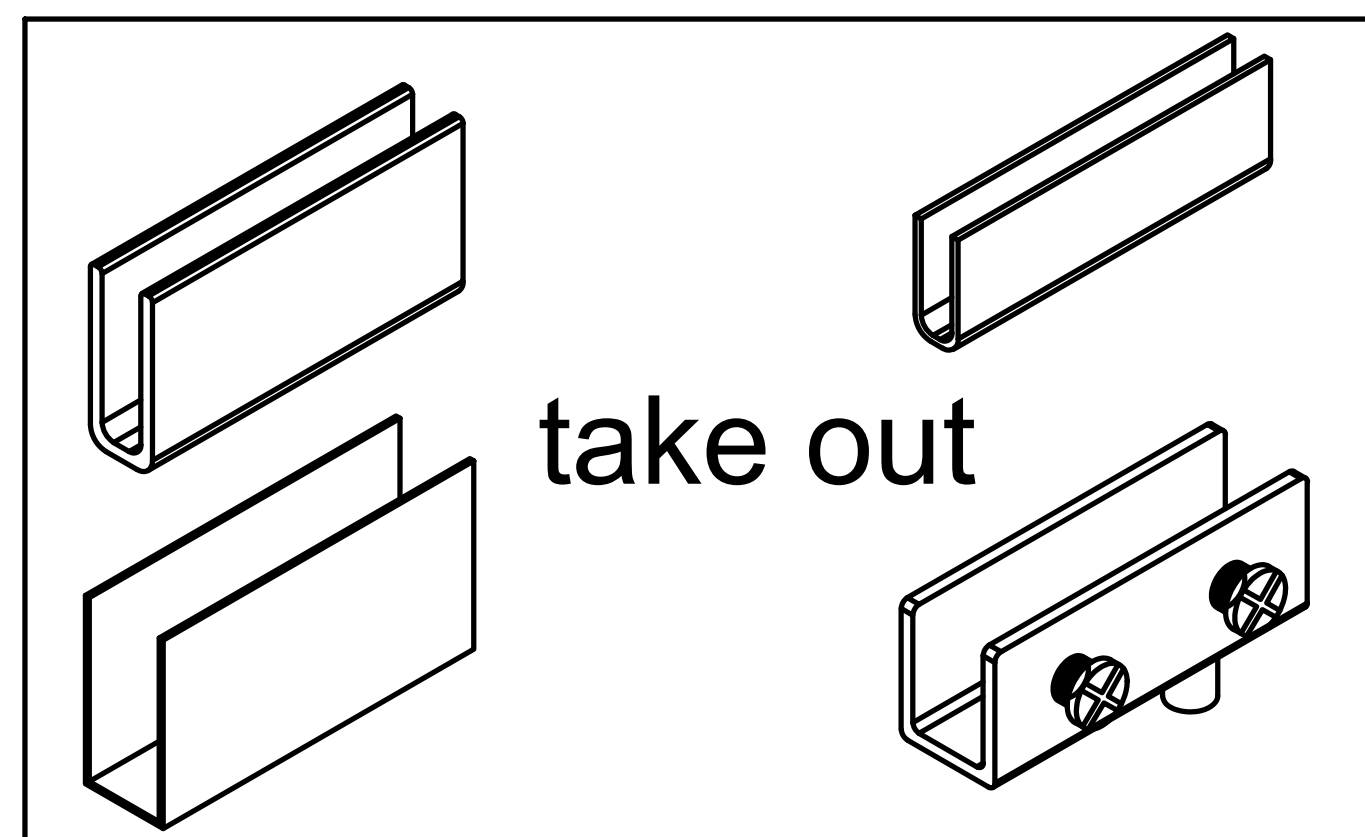
First, loosen the screws.



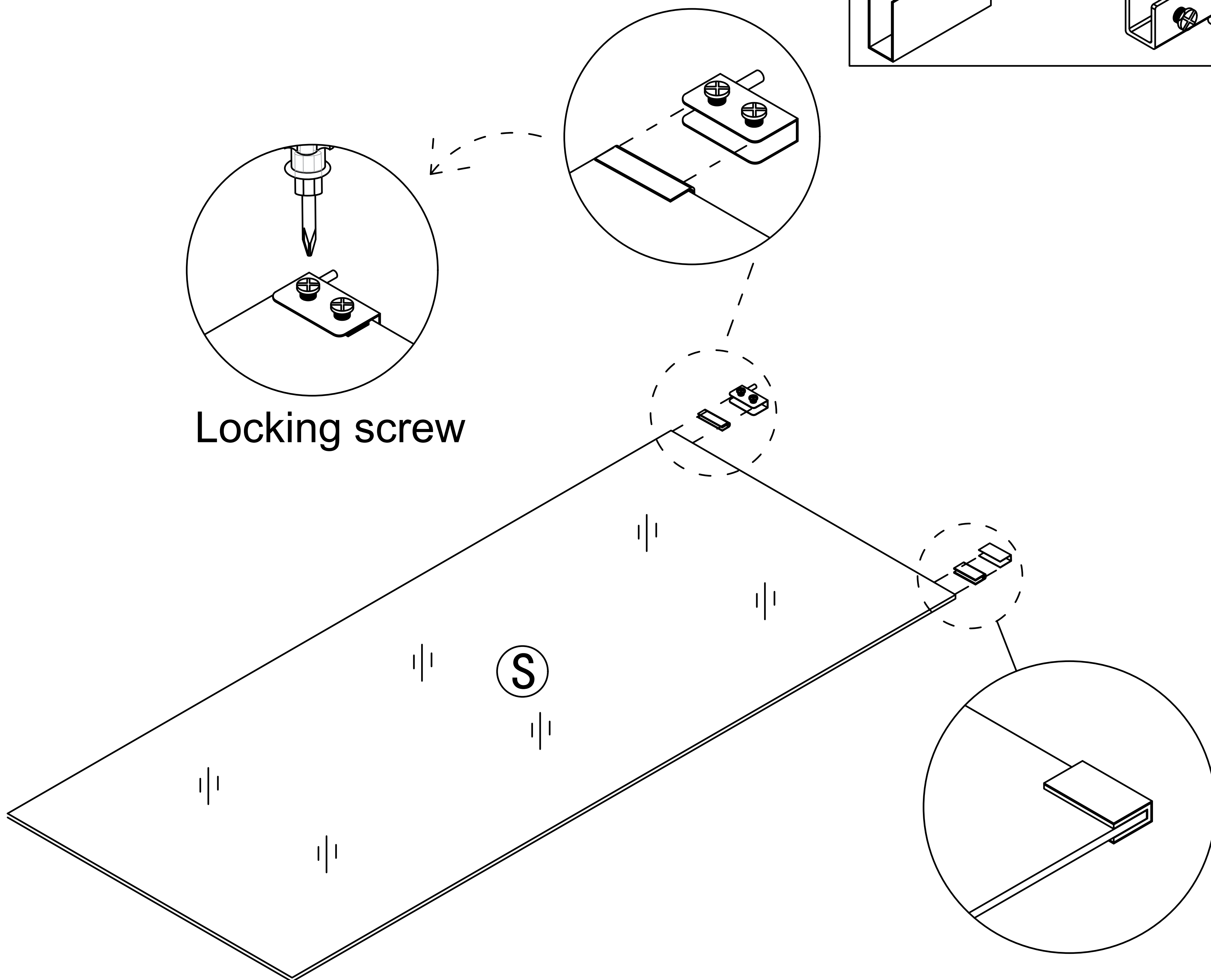
5



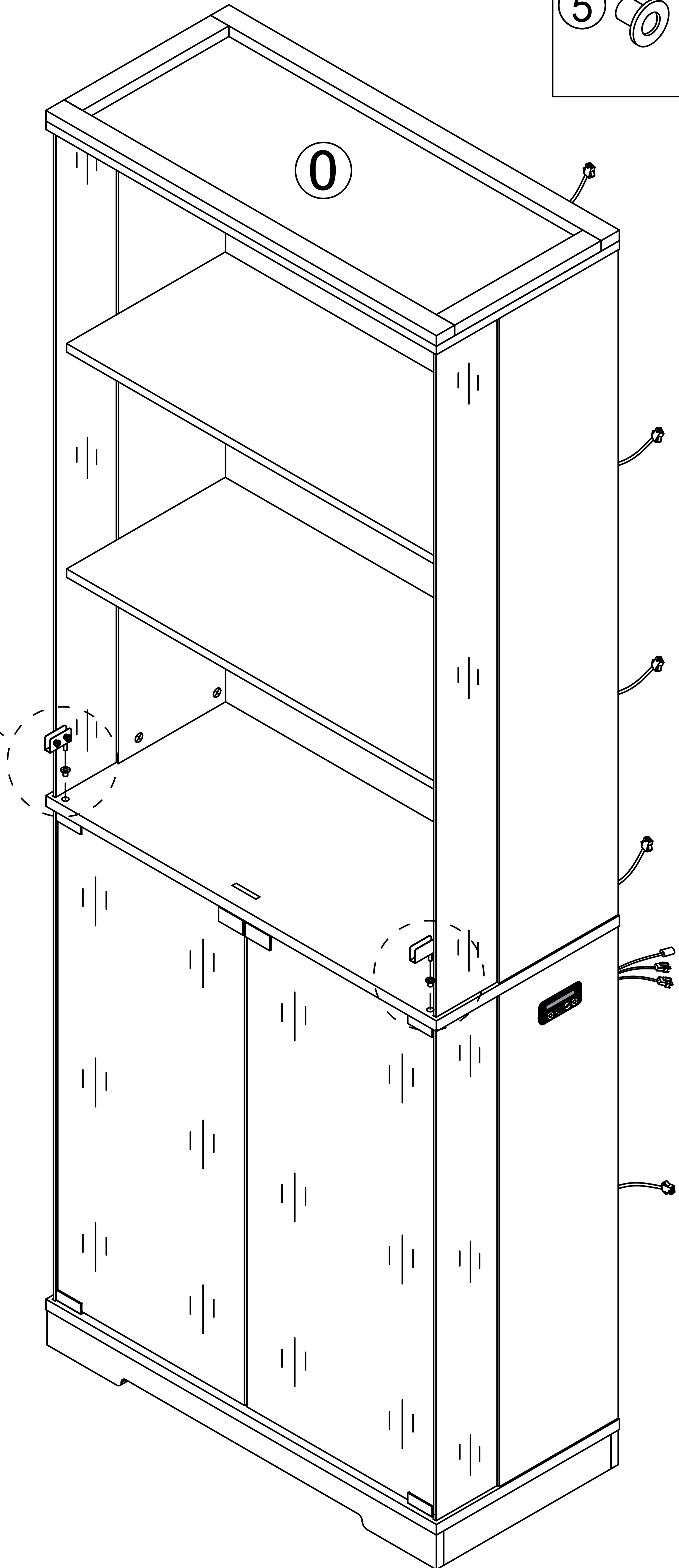
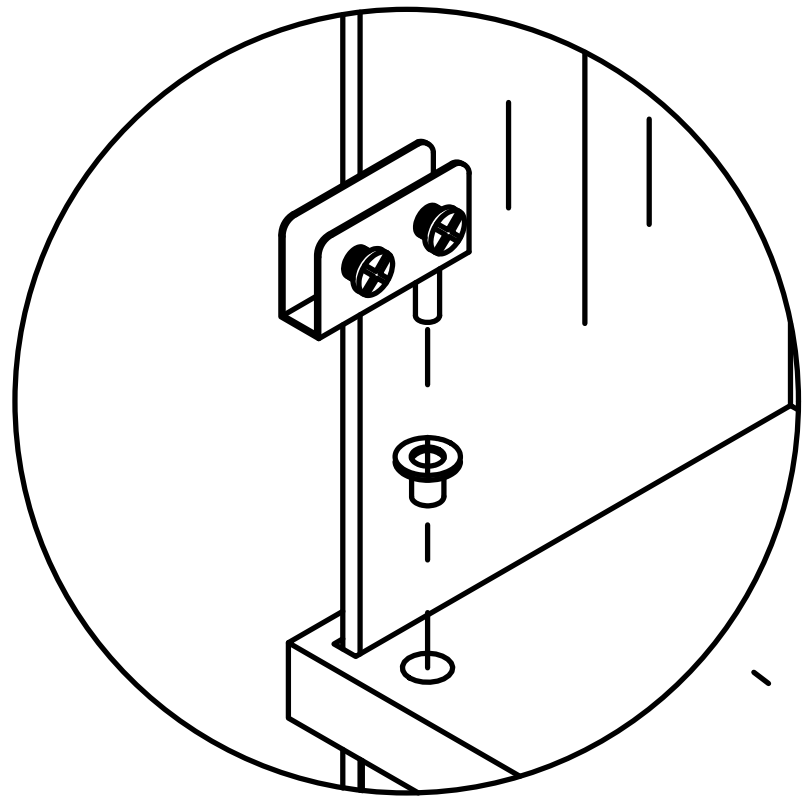
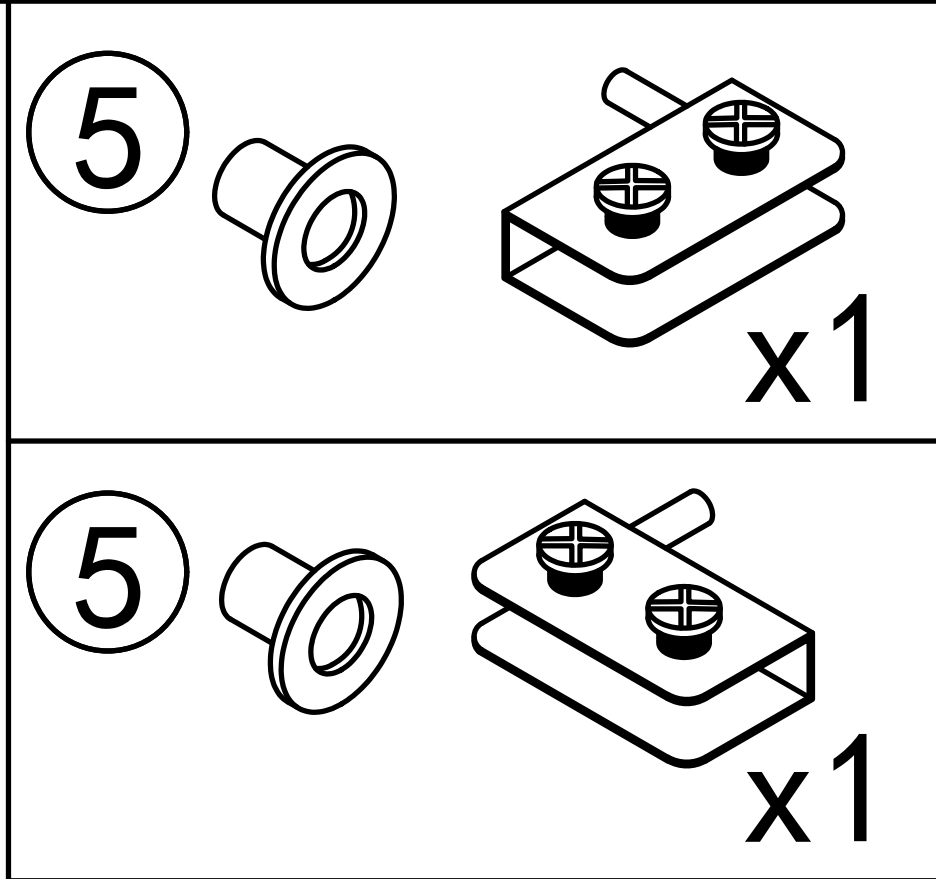
1. Take out the white foam pad
2. Fit the pad around the edge of the glass panel
3. Then slide the metal clamp over the assembled position
4. Finally, tighten the screws securely



Locking screw

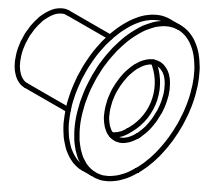


Step 35



Pay attention to the direction of the door hinge during installation

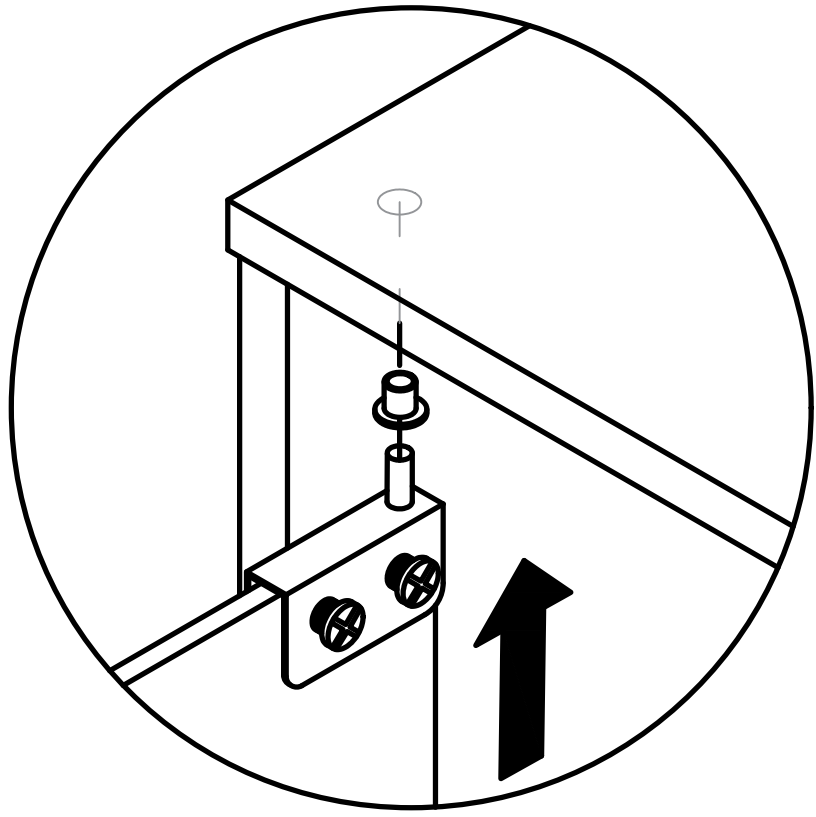
5



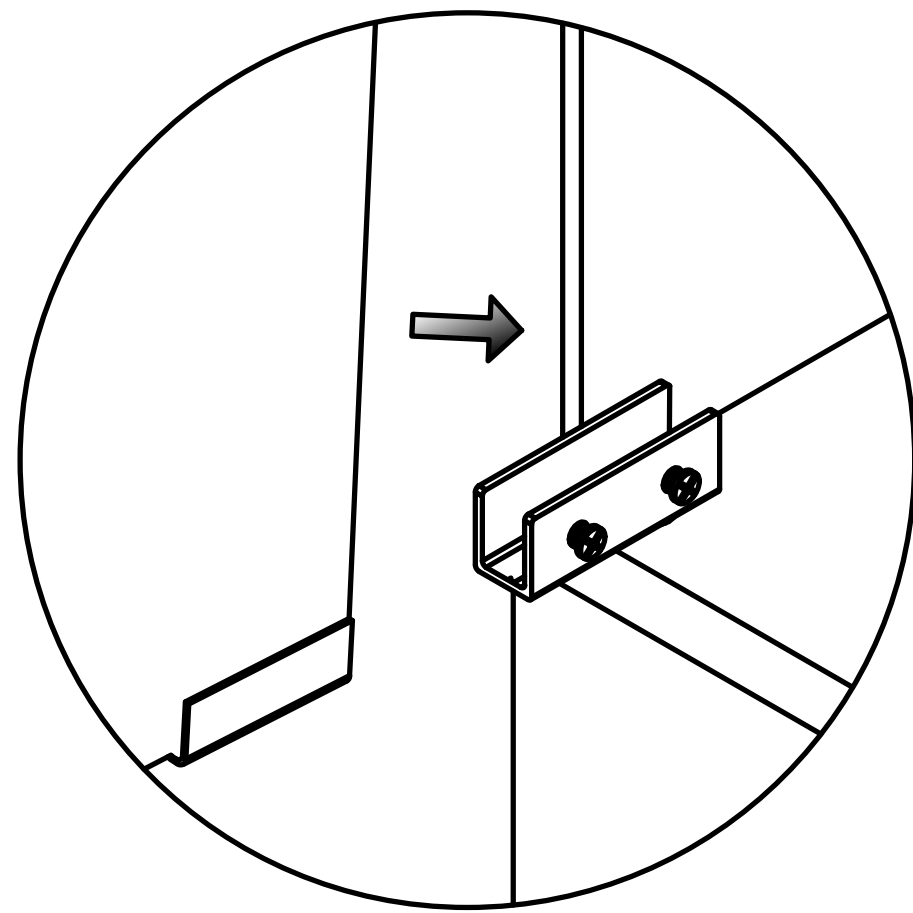
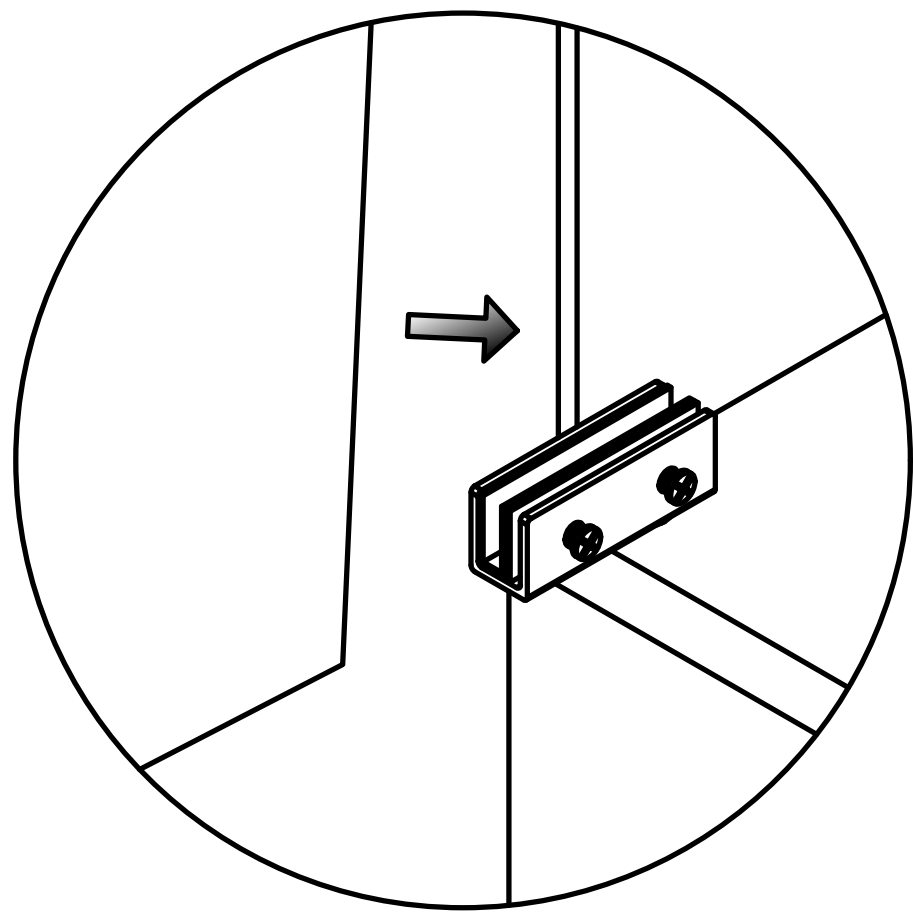
x2

## Step 36

When installing a glass door, it is recommended to have two people install it to avoid the glass door colliding or hitting oneself.

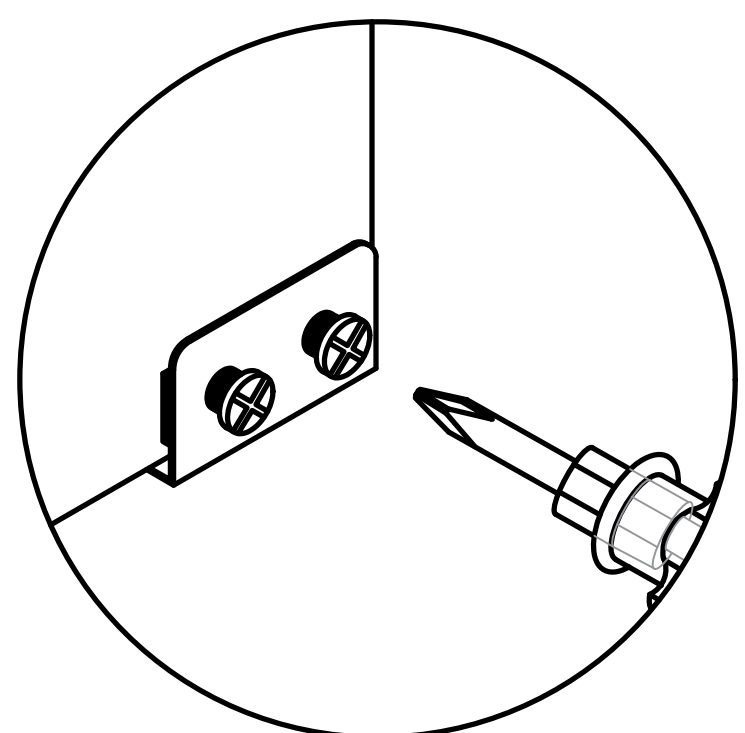


first



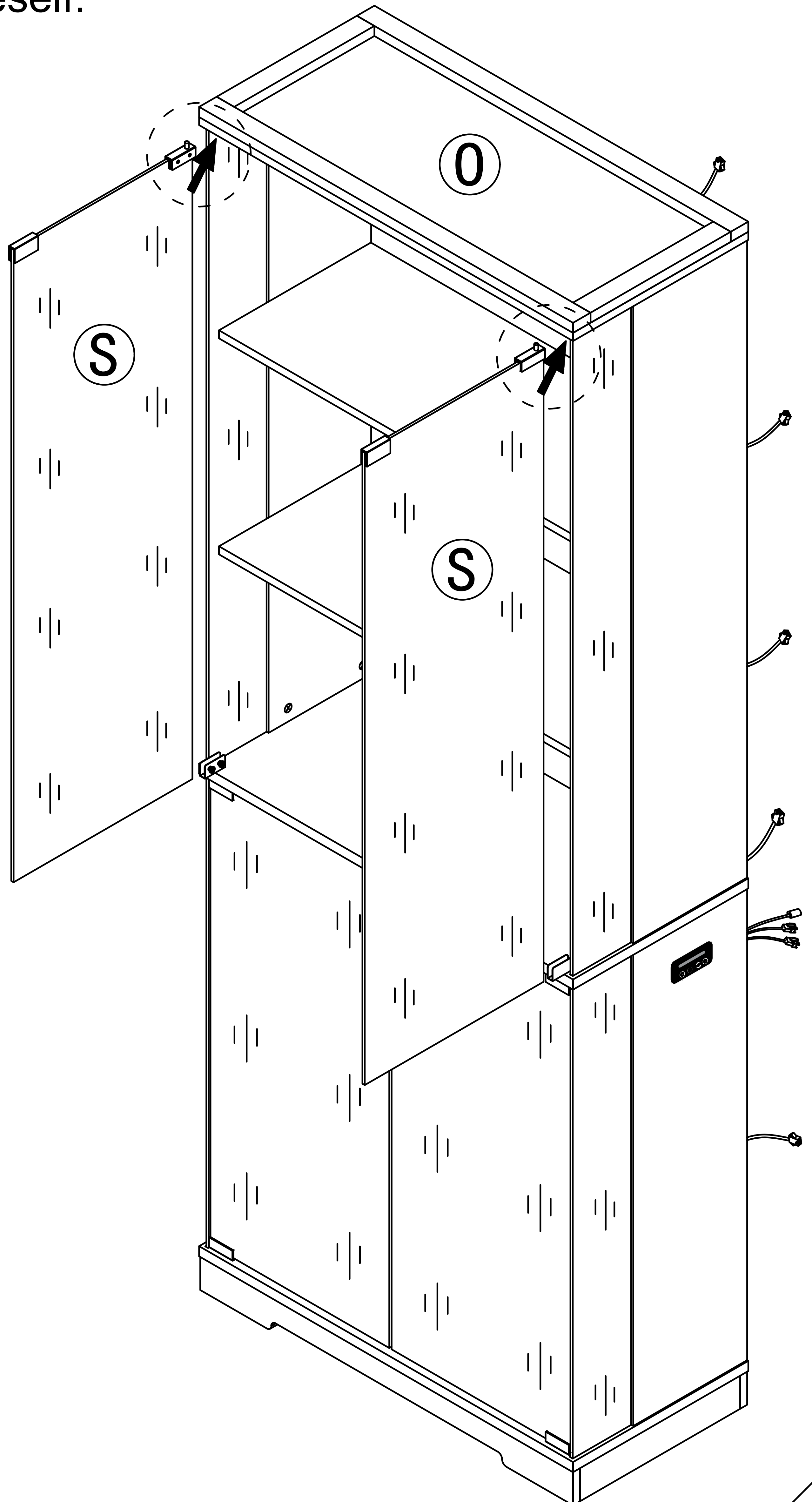
second

Insert the glass into the door hinge's slot.

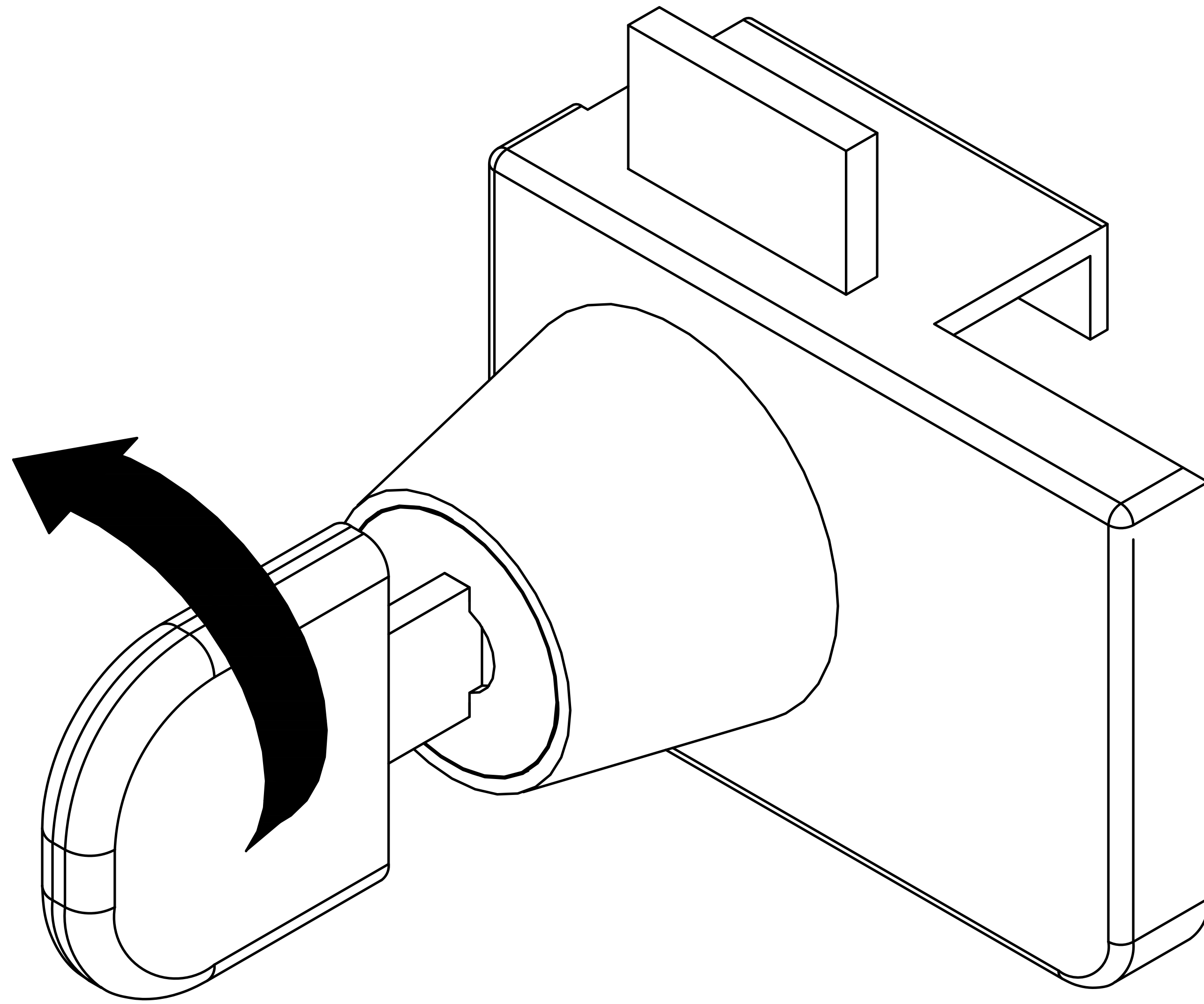


third

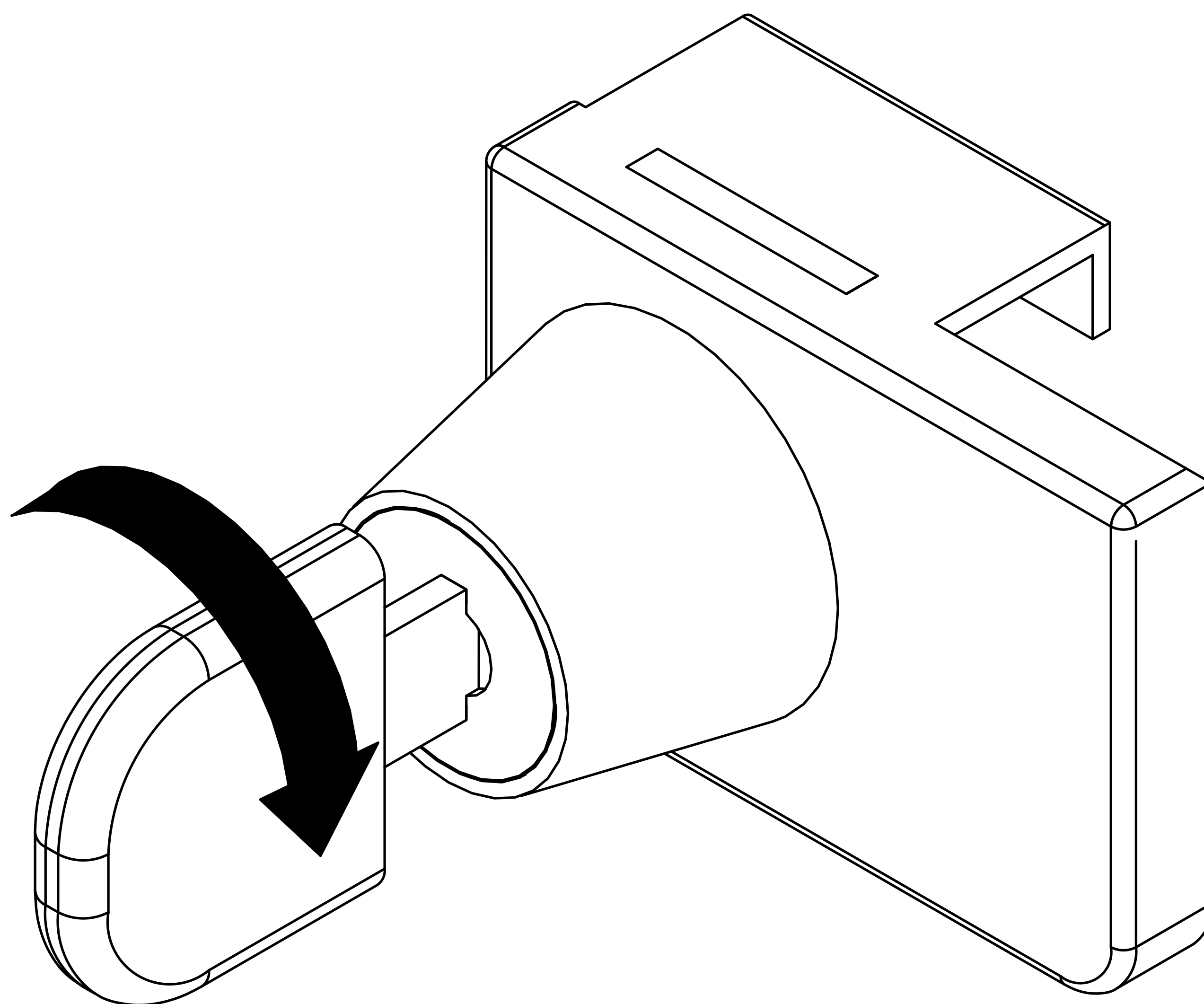
Locking screw



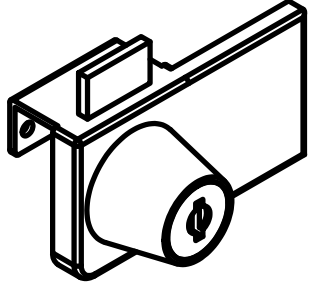
Tip: Turning the door lock to the right will close it

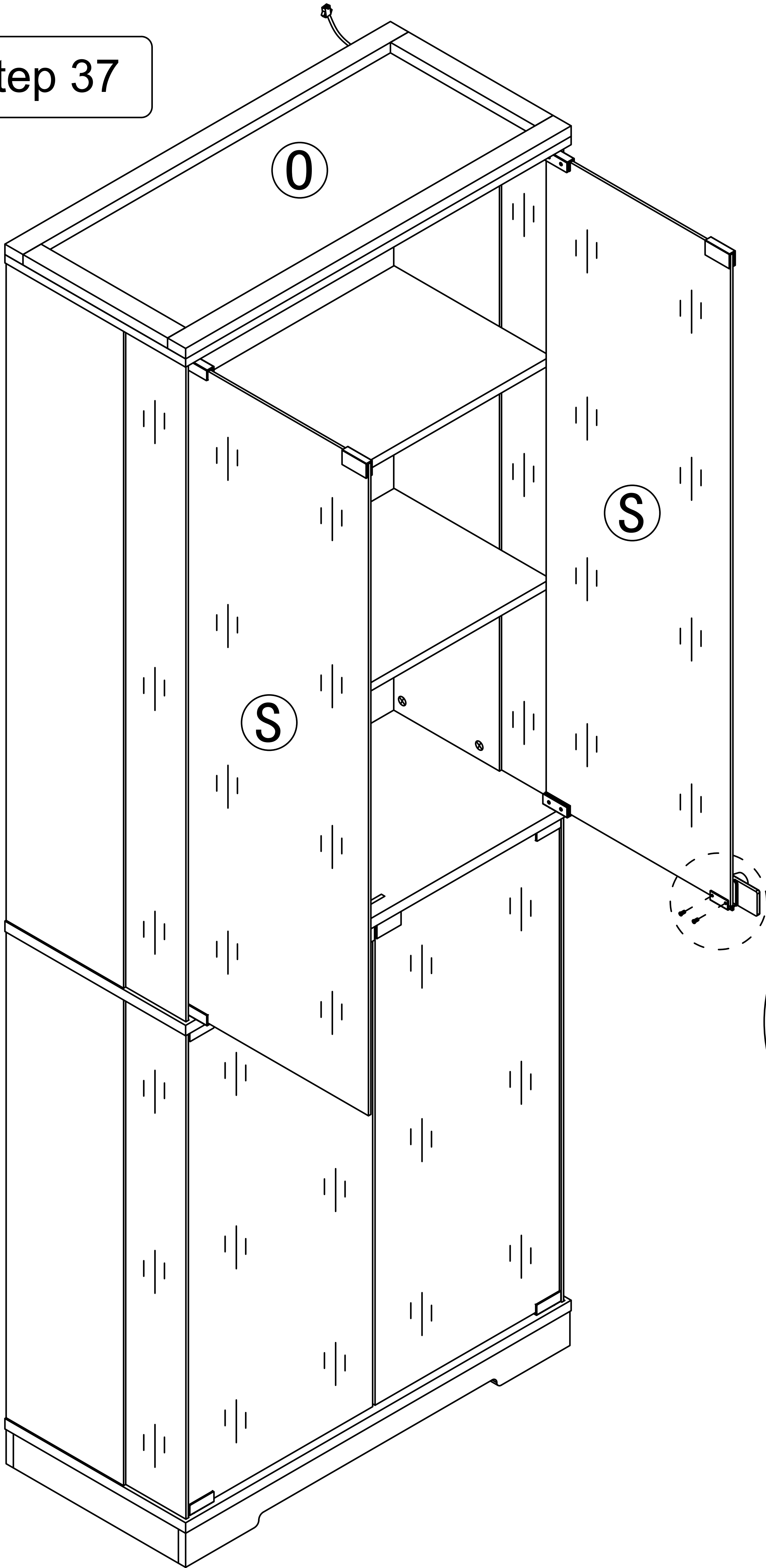


Tip: Turning the door lock to the left opens it

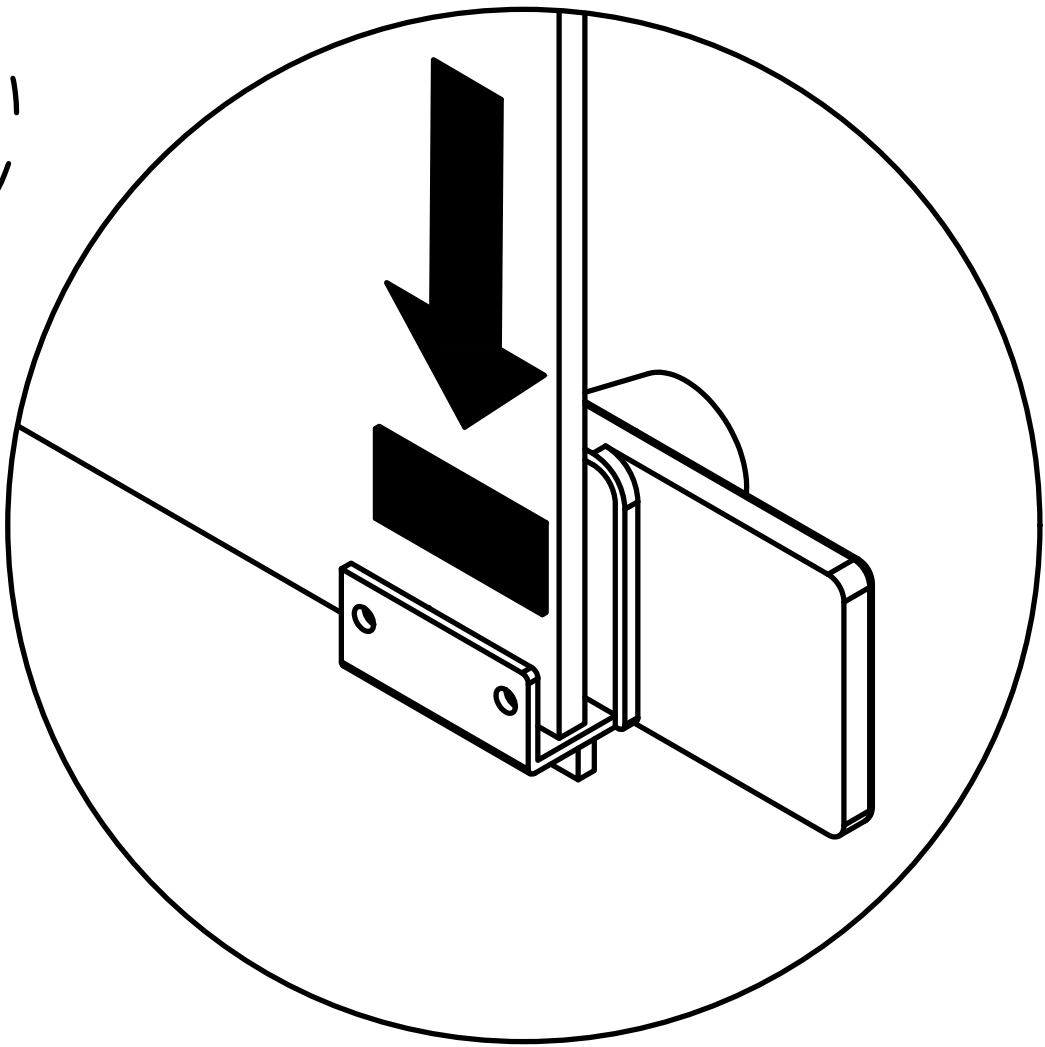


Step 37

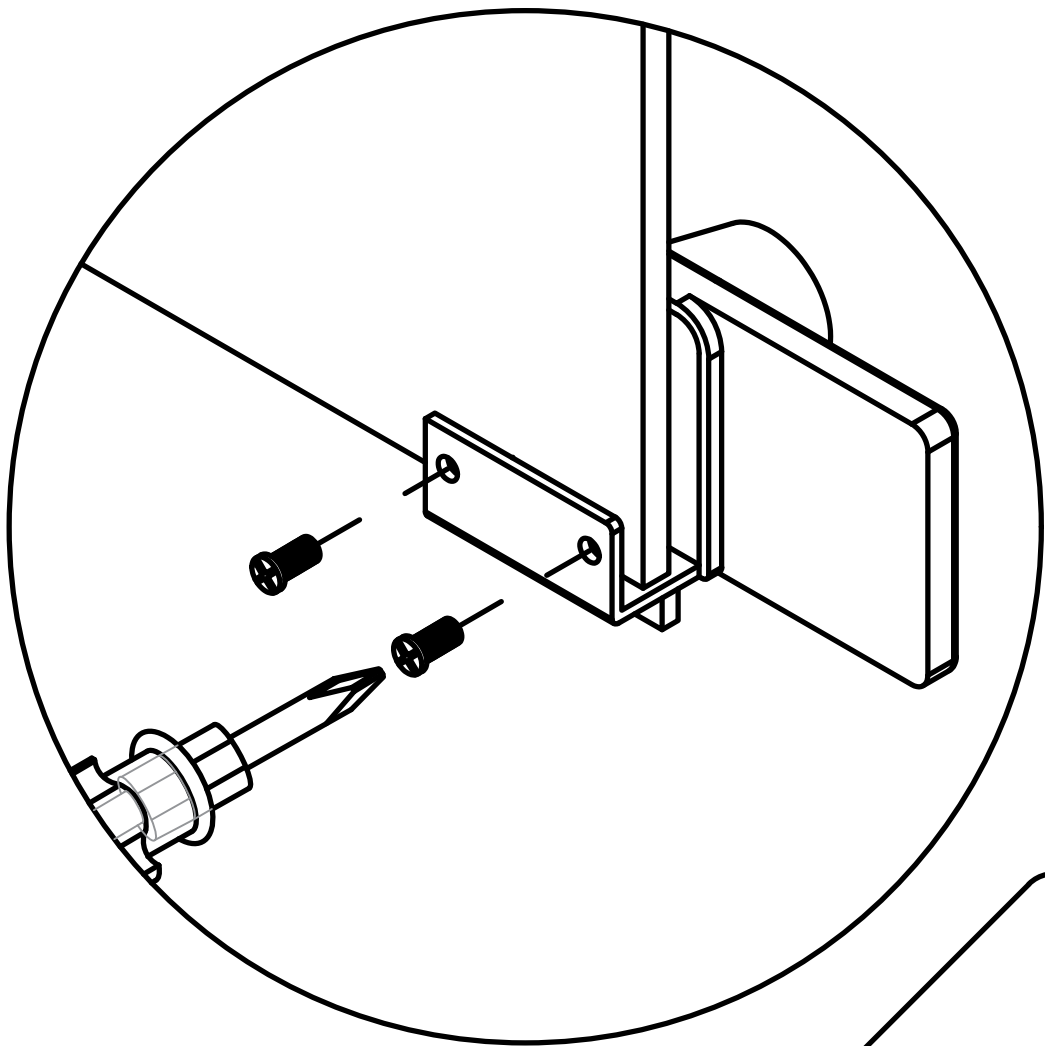
10  x1



first



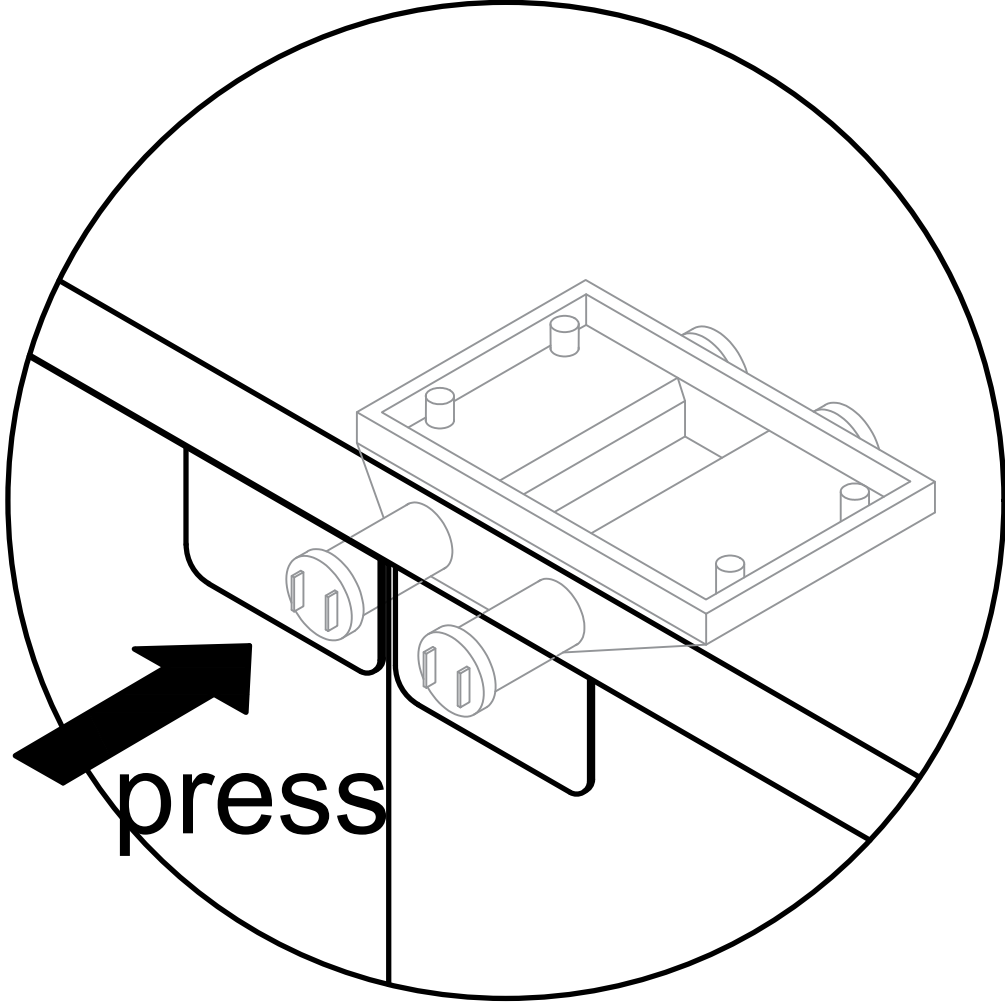
second



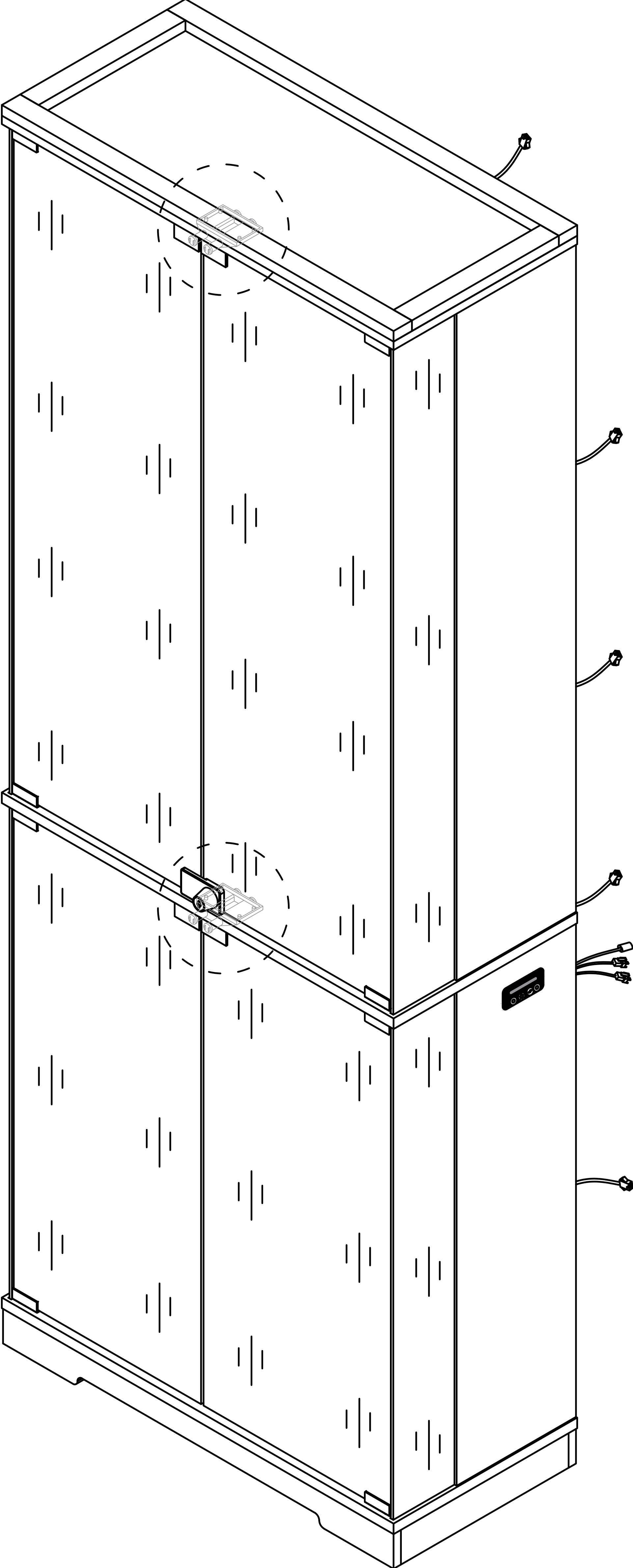
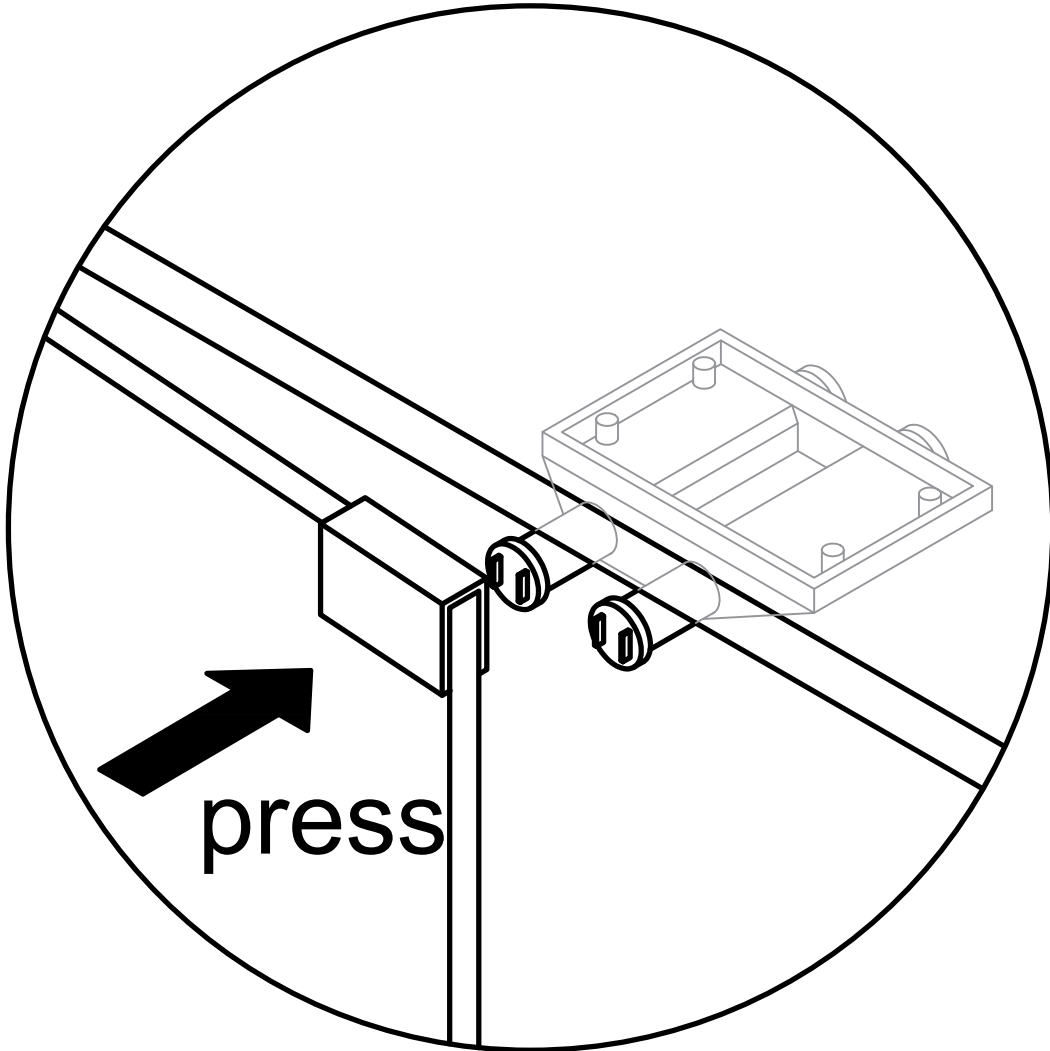
Step 38

The rebound device automatically opens and closes by pressing

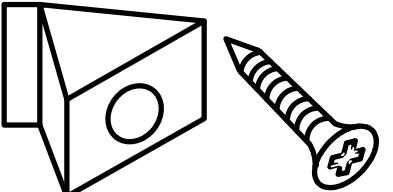
Open the glass door

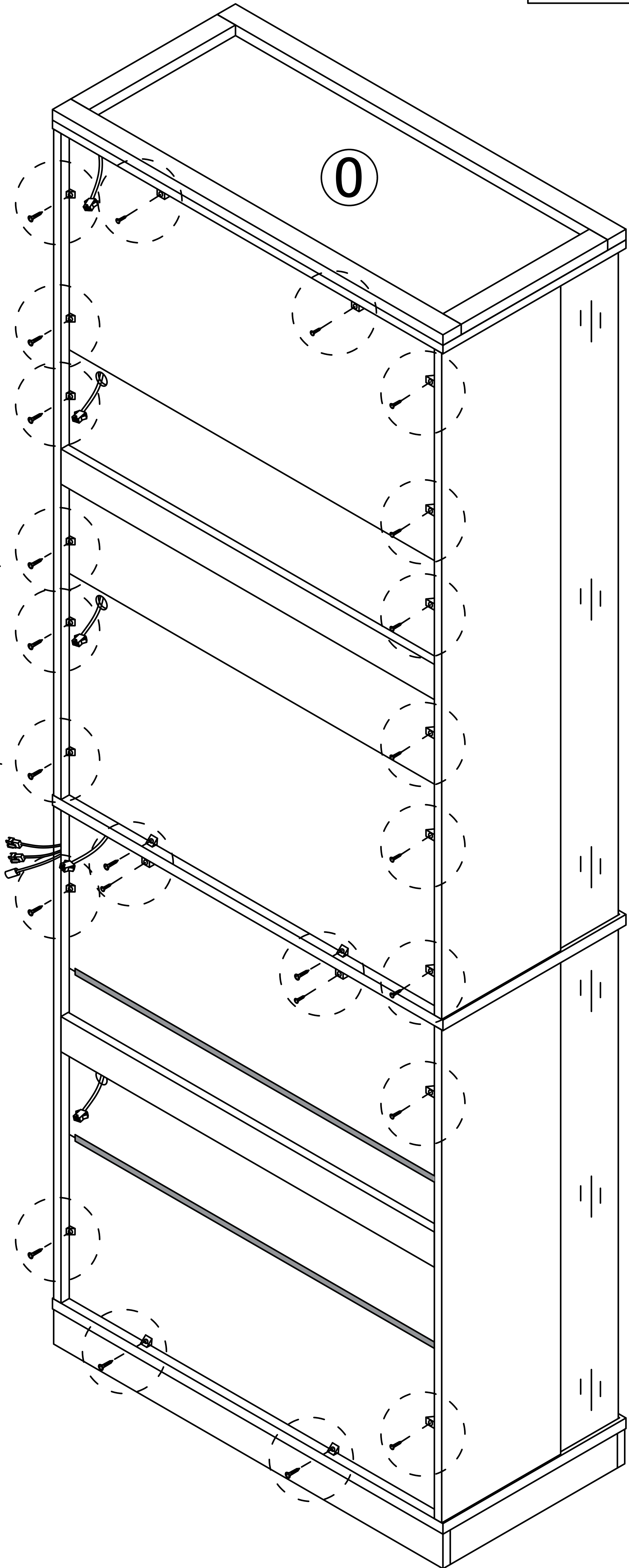
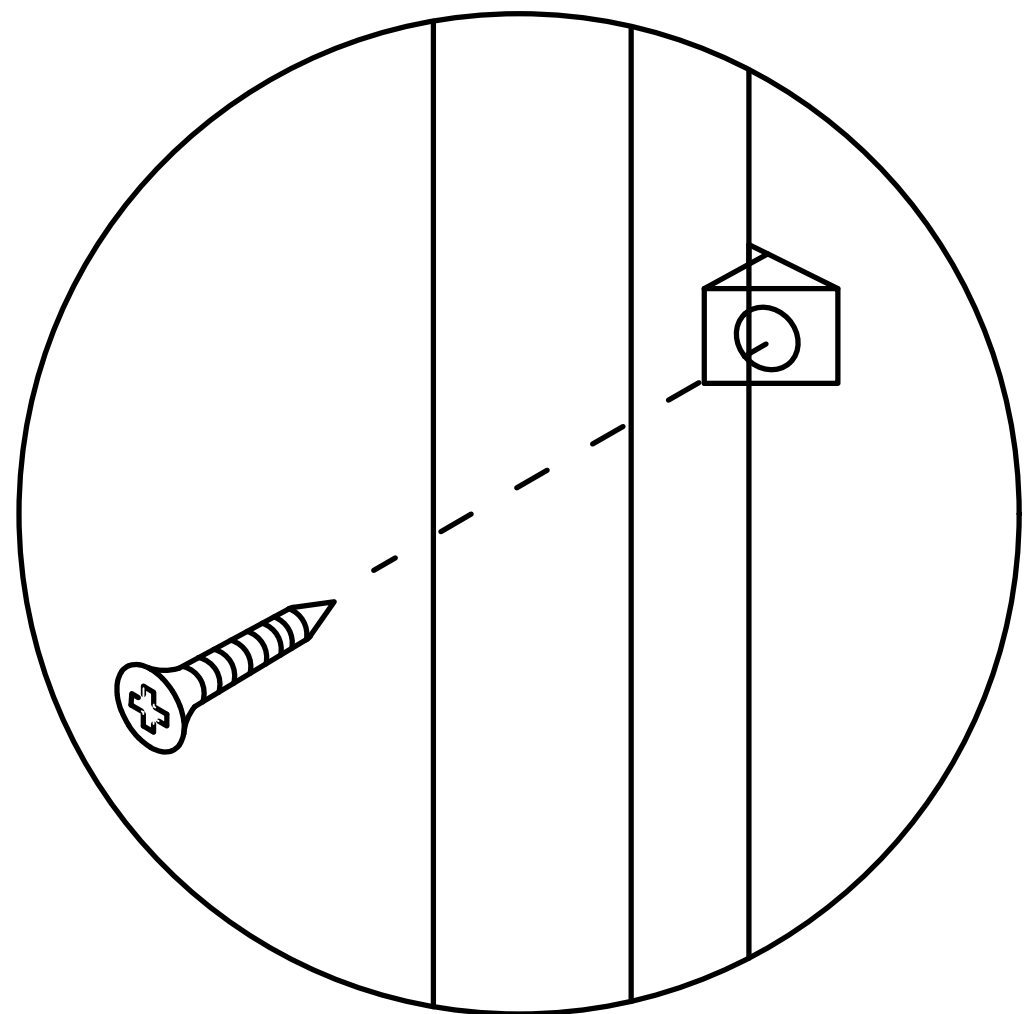


Close the glass door

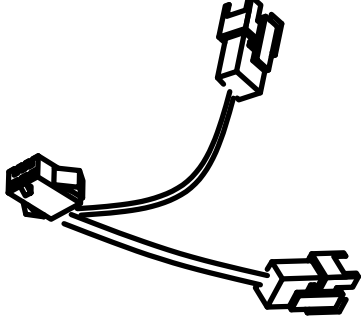
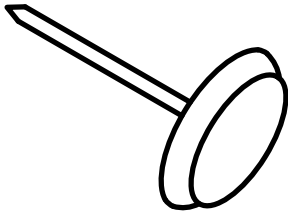


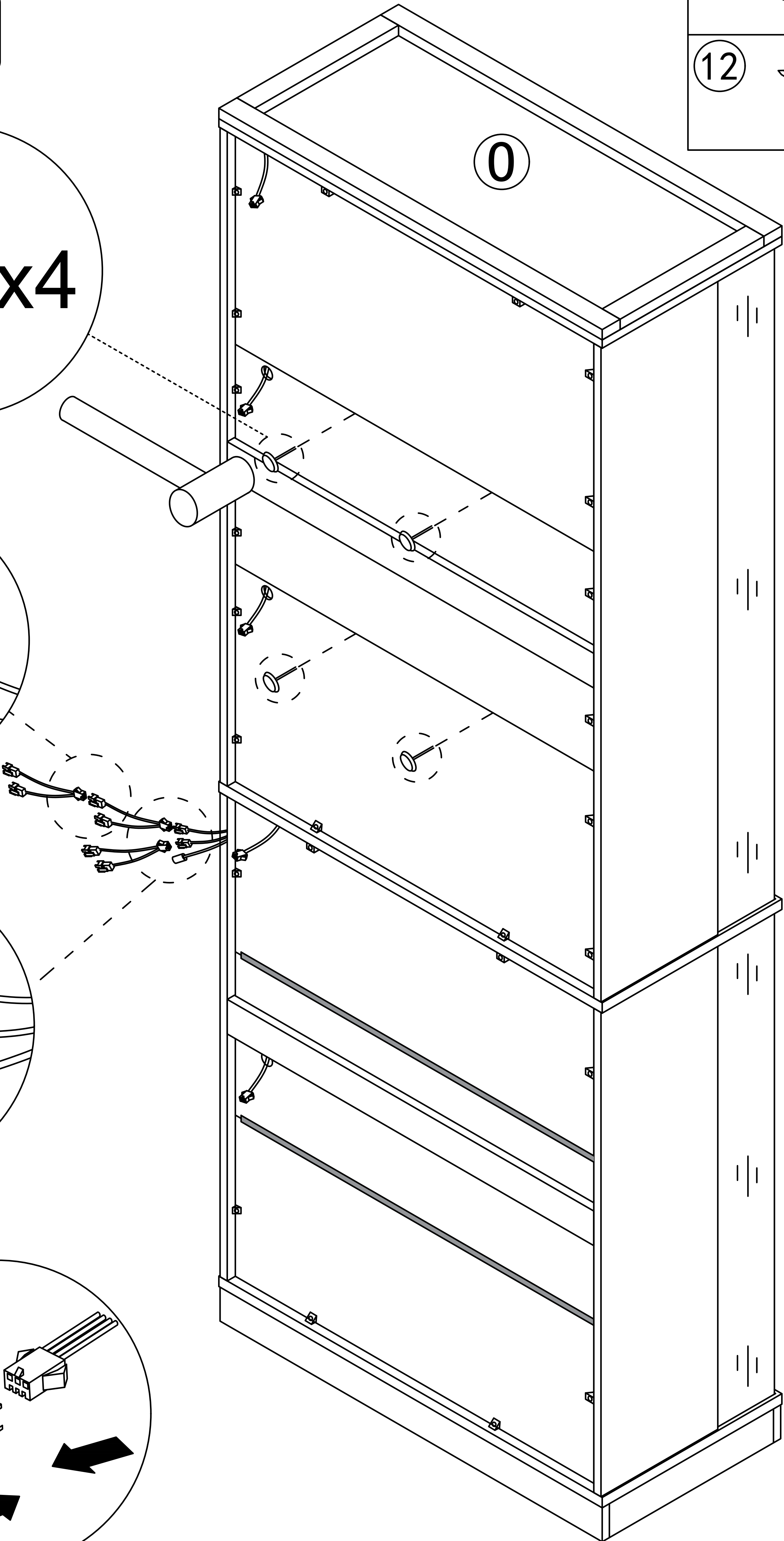
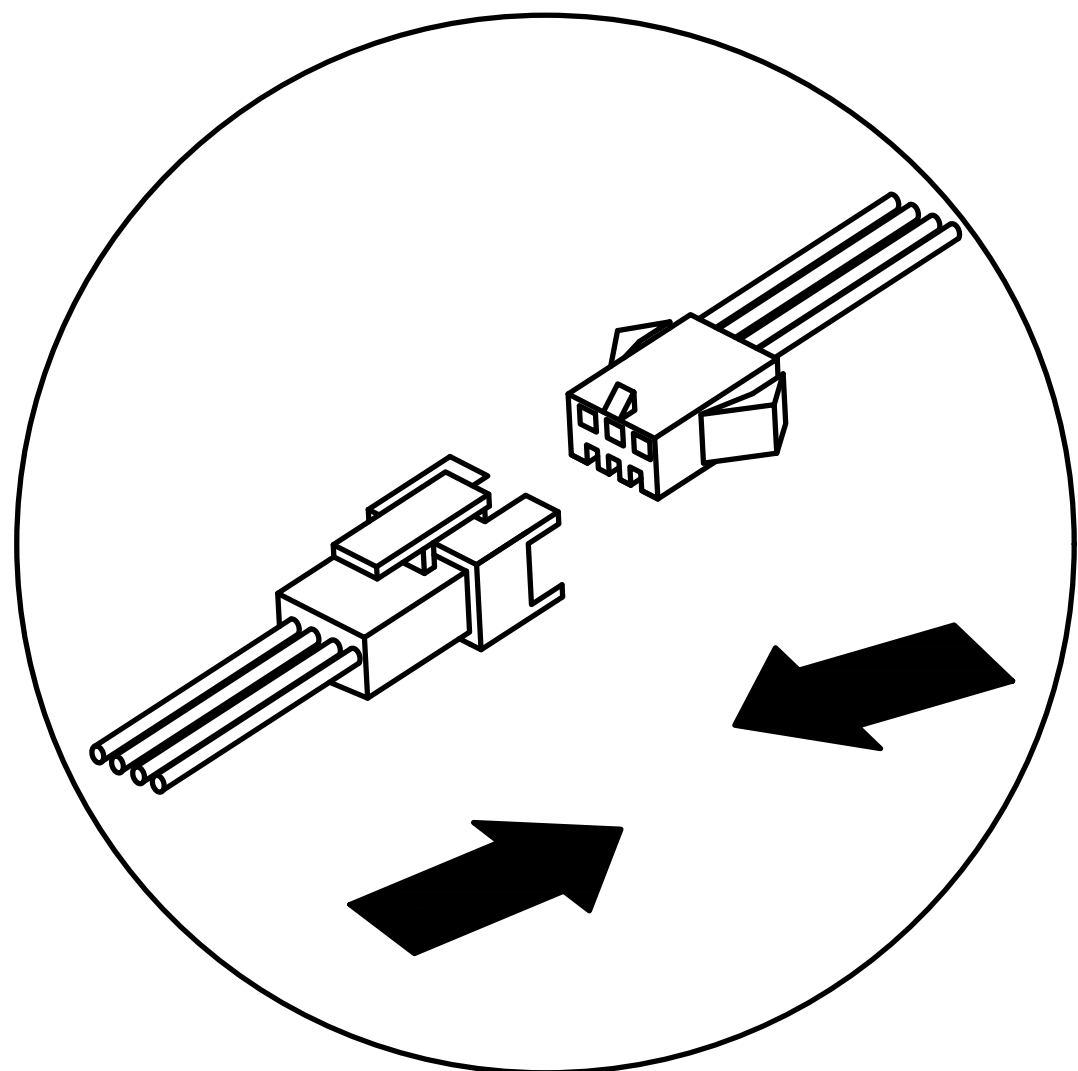
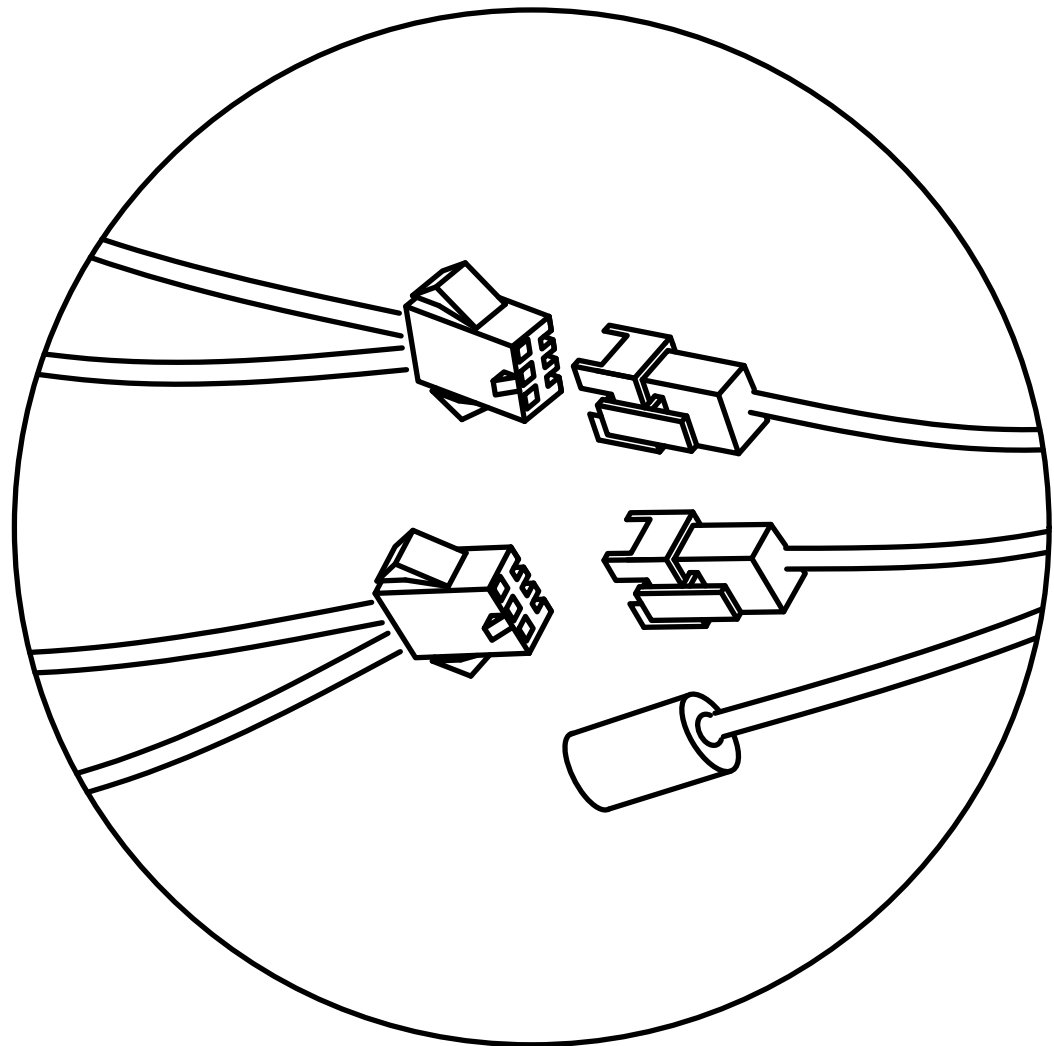
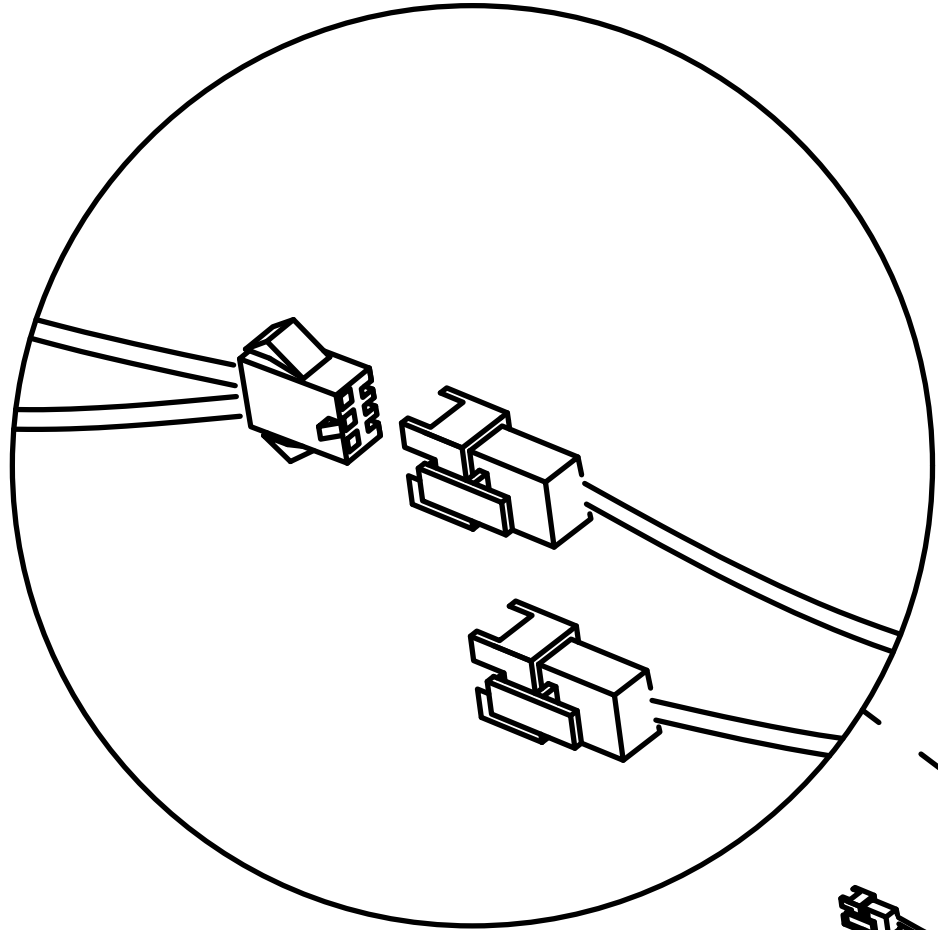
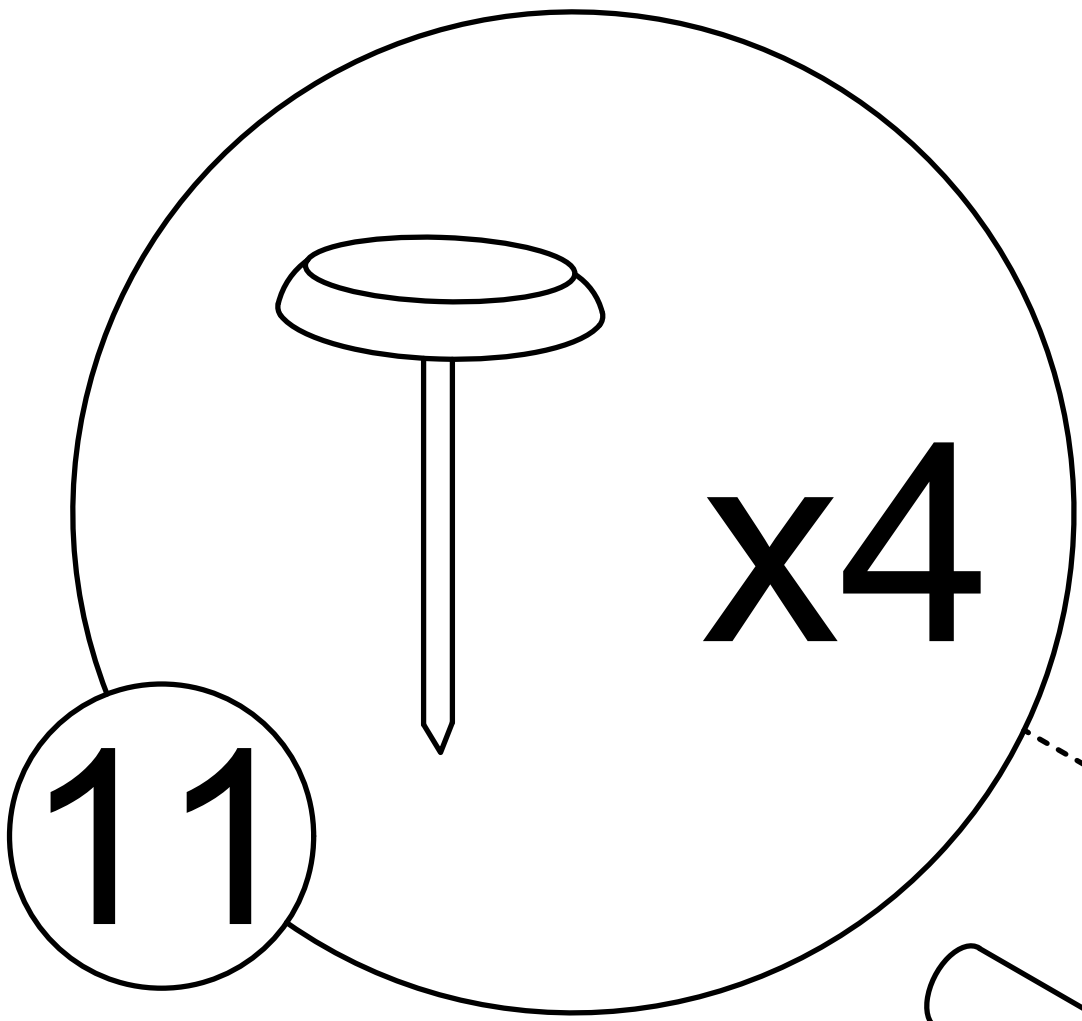
Step 39

7  x24

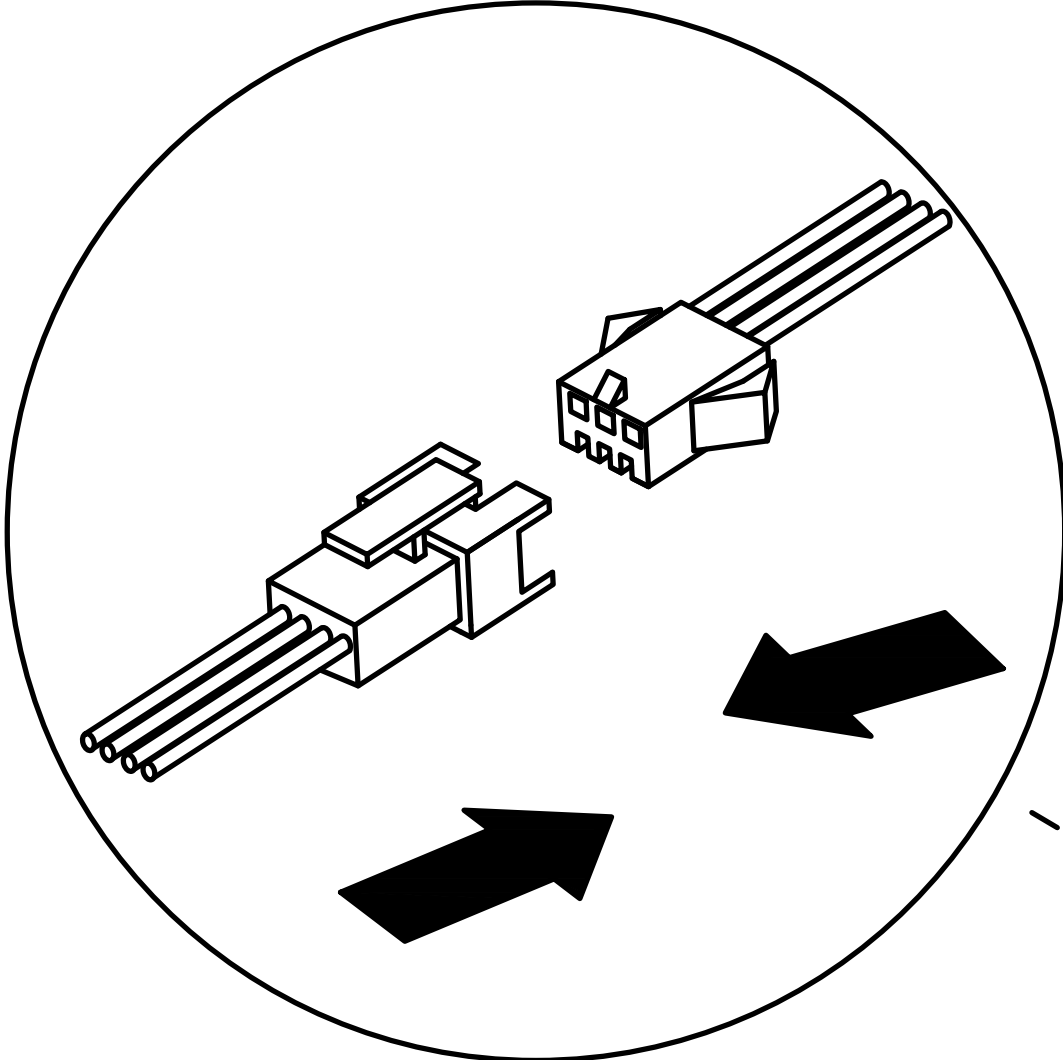
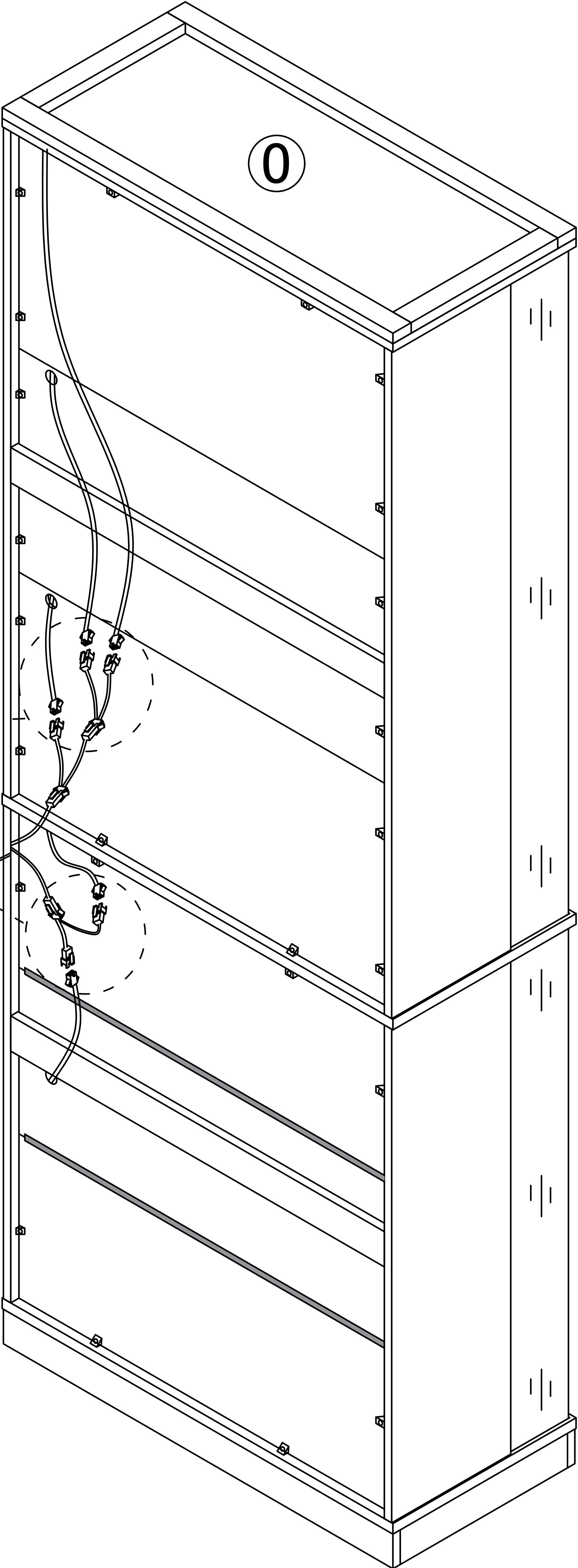


Step 40

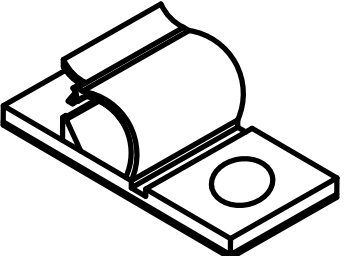
- 9  x3
- 12  x4

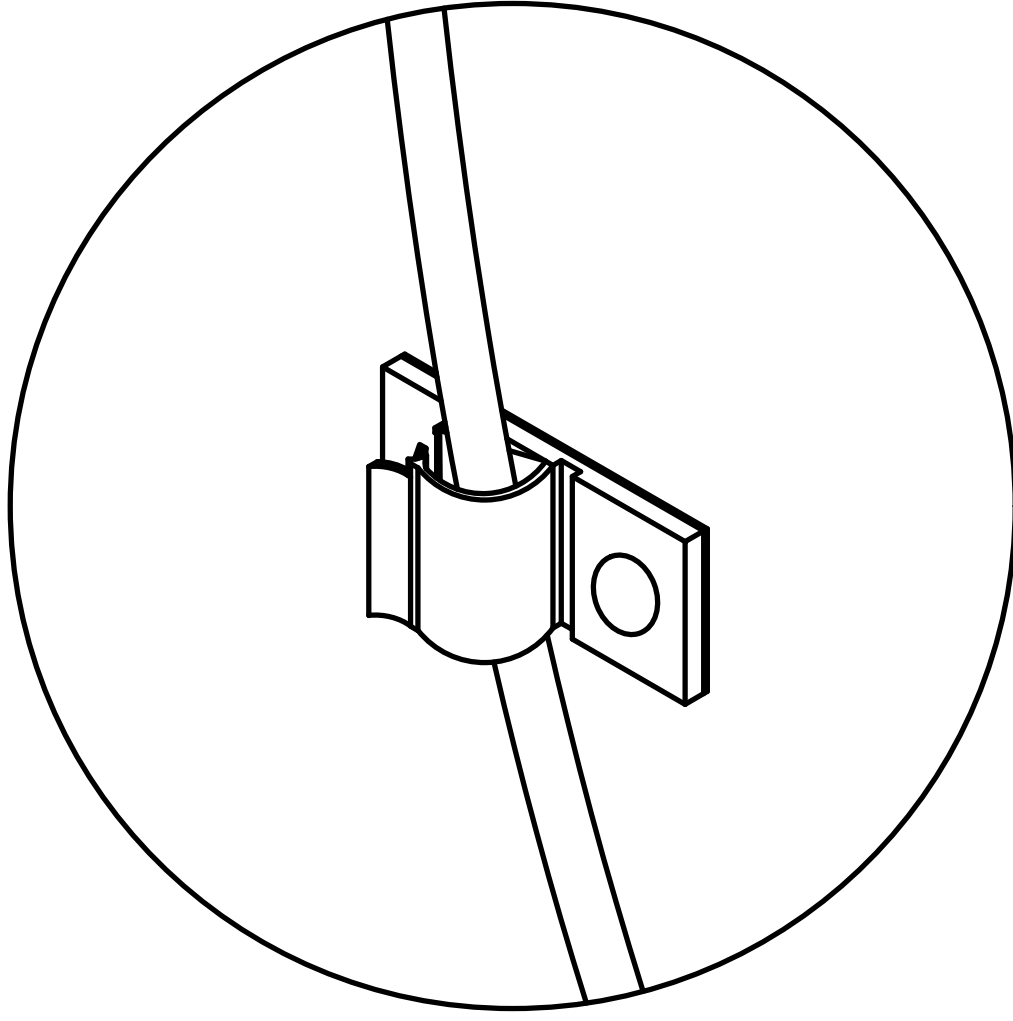
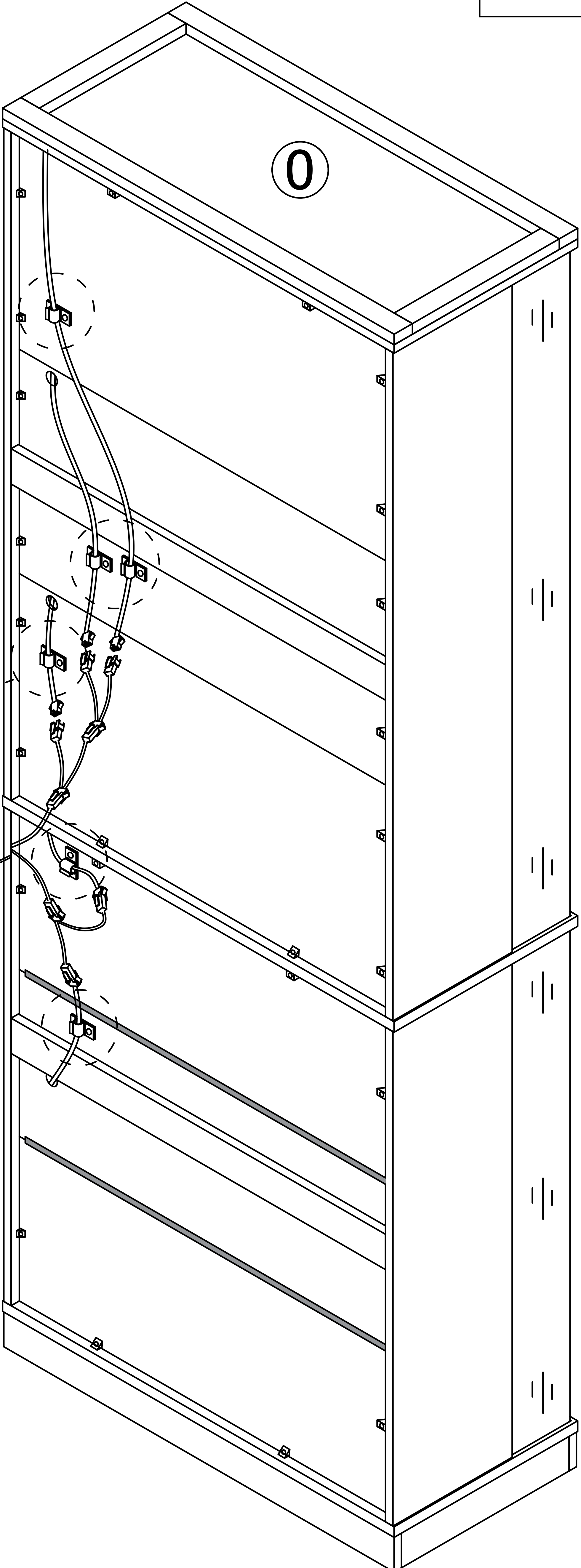


Step 41

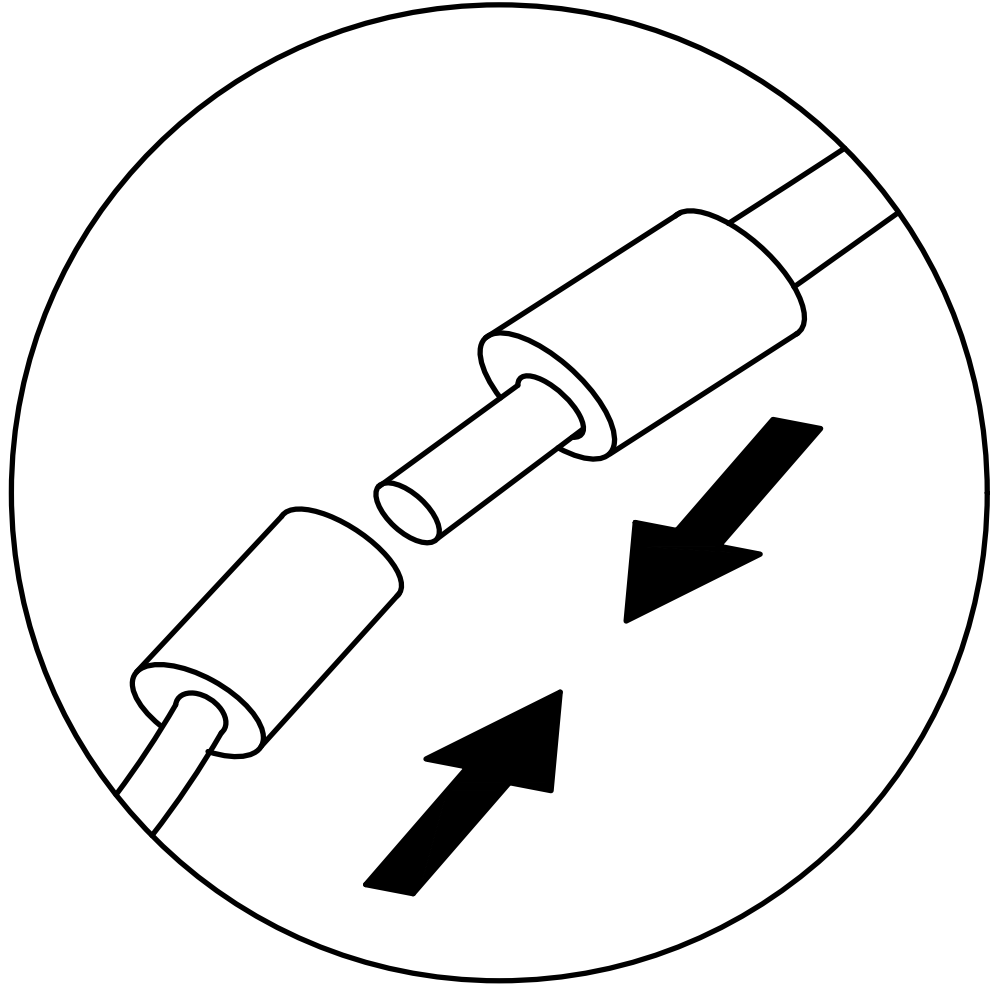
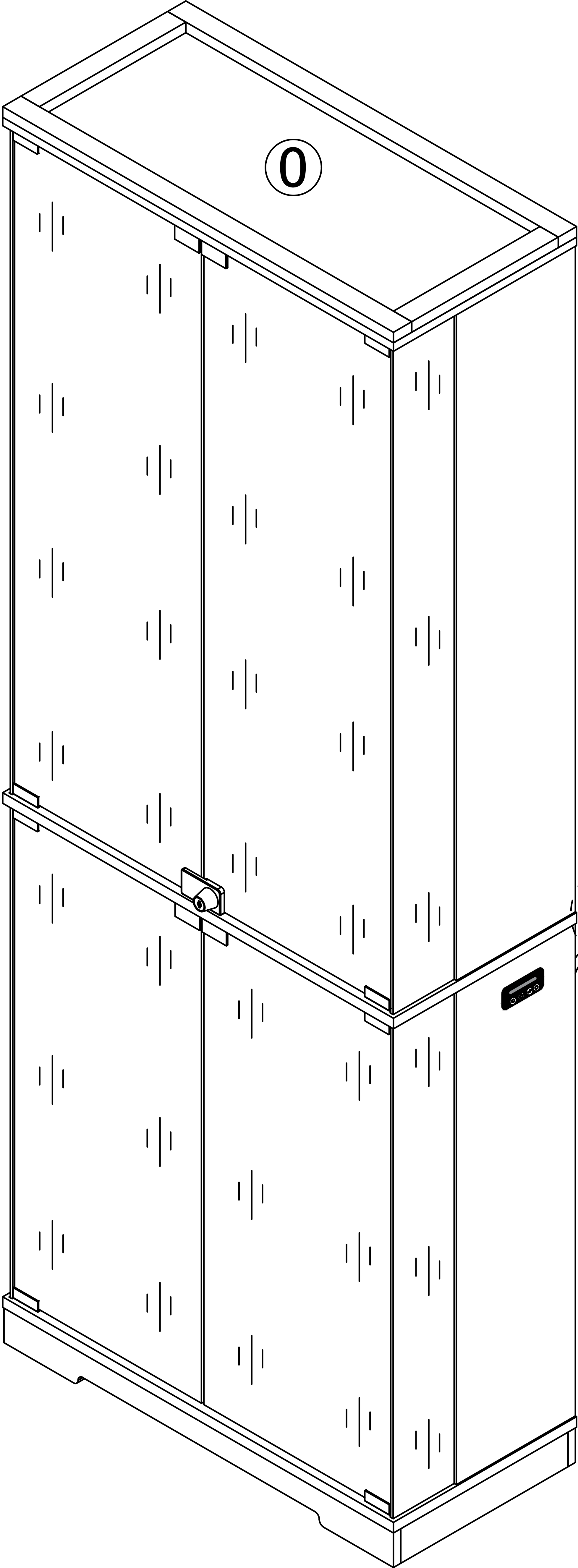
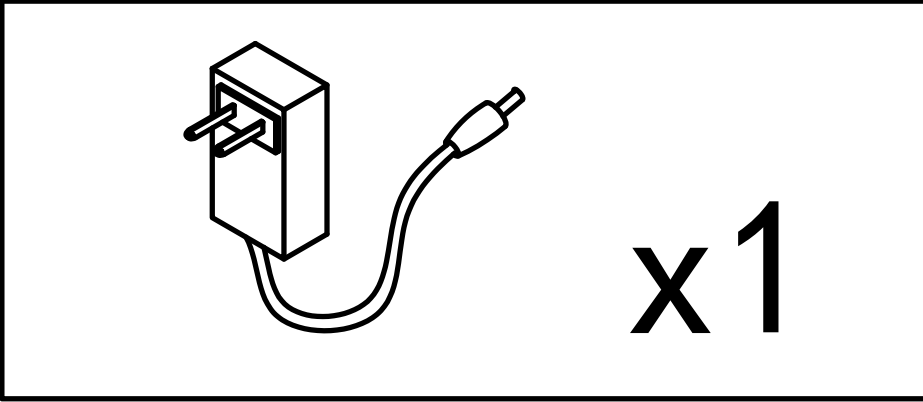


Step 42

8  x6

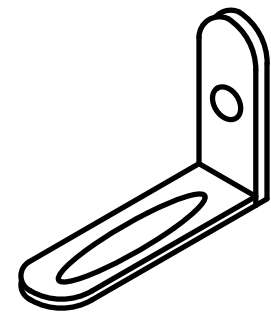
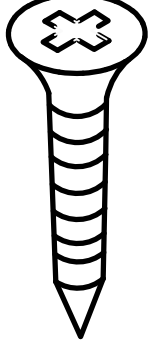
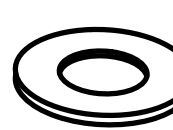


Step 43

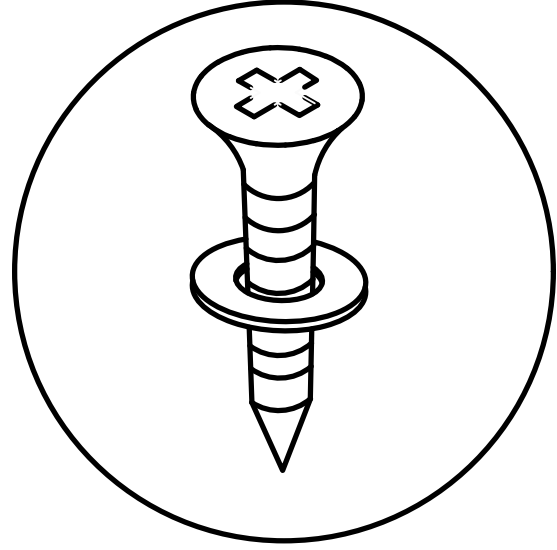


Step 44

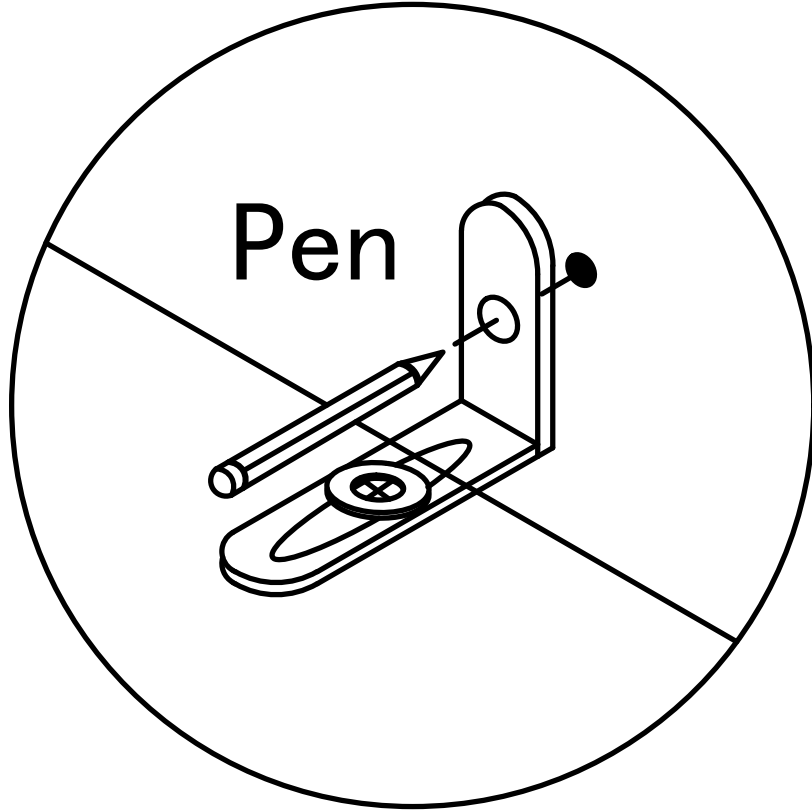
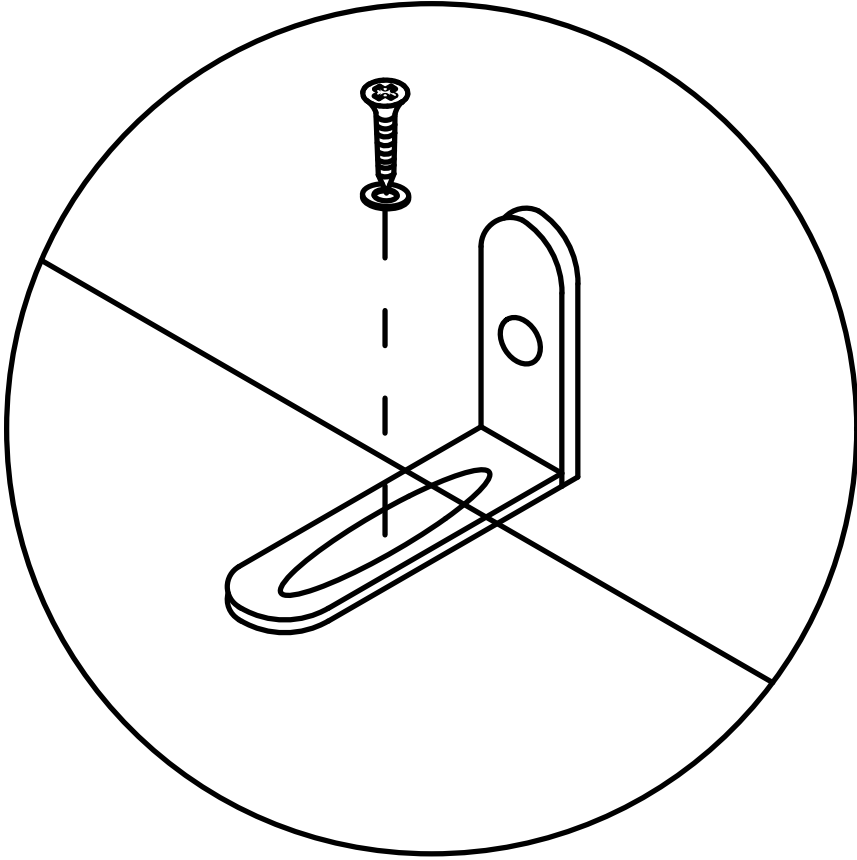
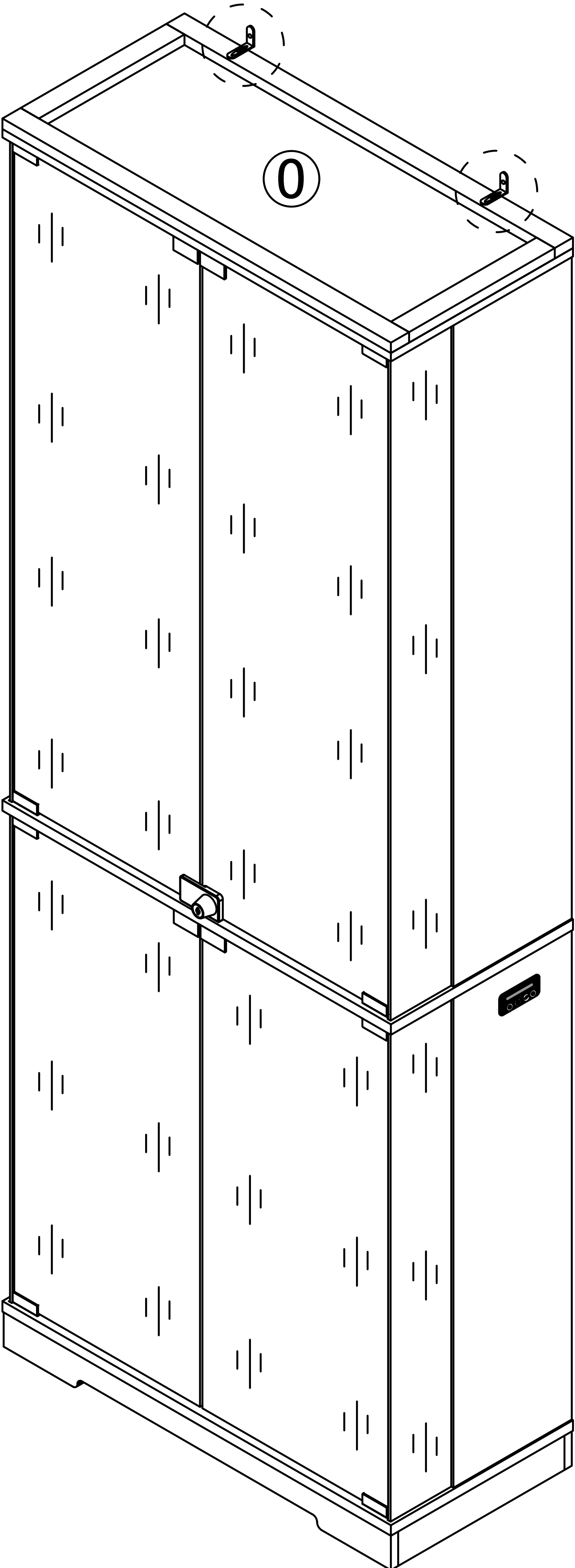
Install as required

11  x2  x2  
 x2

3.5x14mm



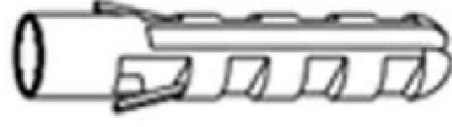
Install the anti fall hardware on the cabinet as shown in the picture first

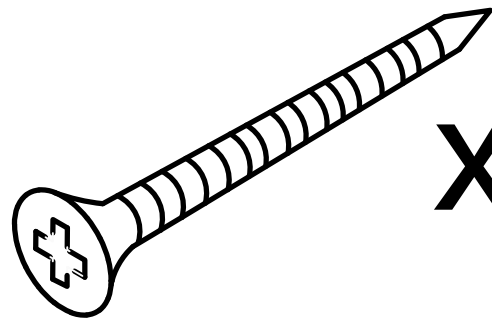
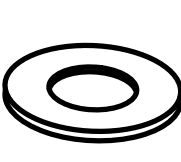


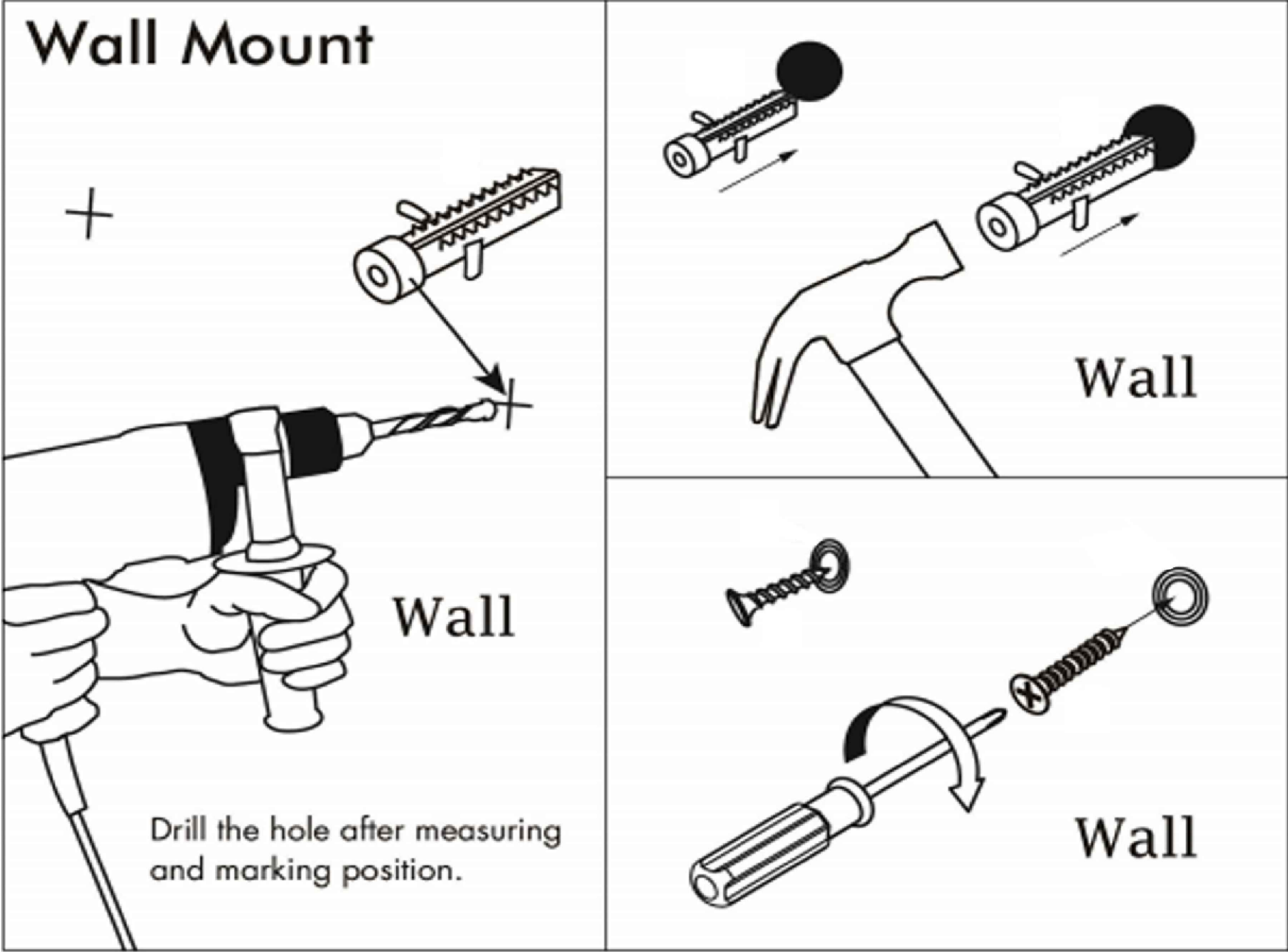
Then mark the wall with a pen through the holes in the anti-fall hardware

# Step 45

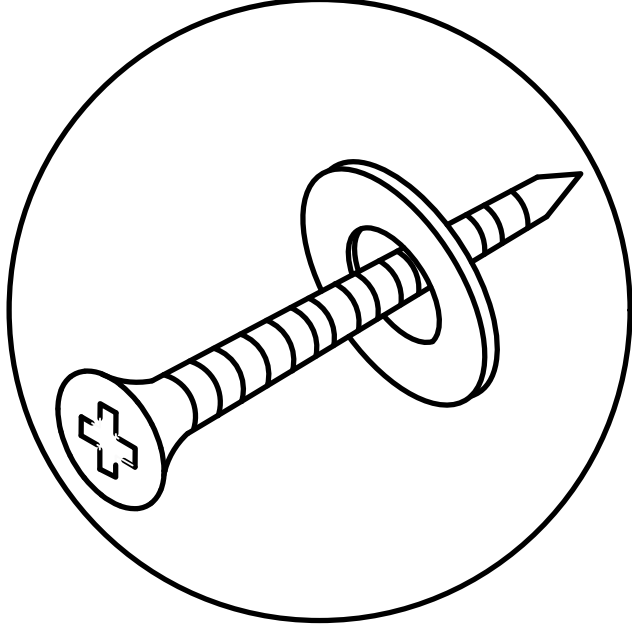
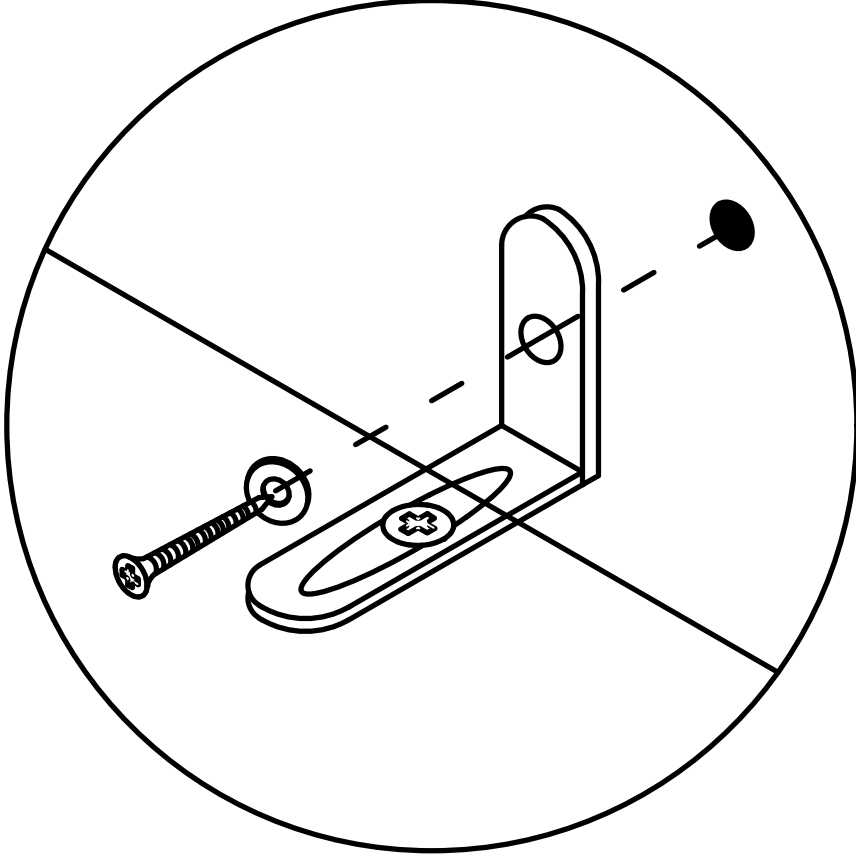
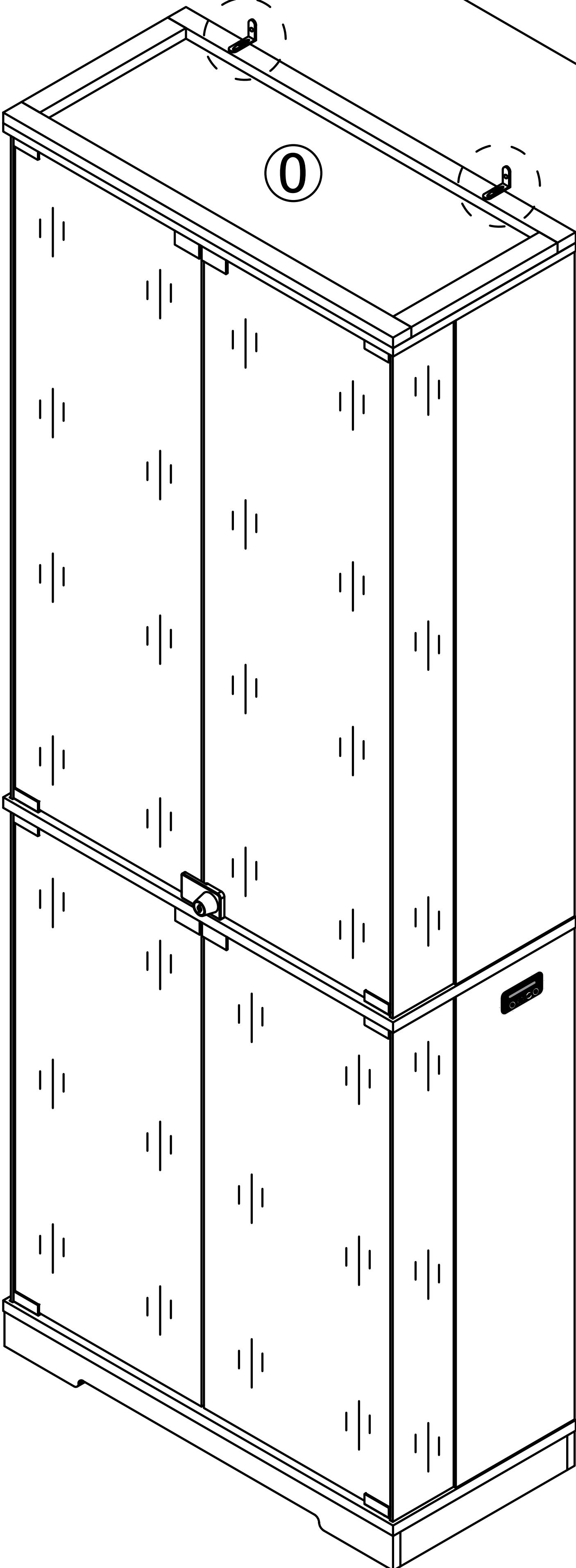
11

 x2

 x2  x2



Drill the hole with an electric drill and punch in the colloidal particles



4x45mm

Fix the dressing table to the wall

## User's Guide

Thank you for purchasing this product.

To use this product, please plug it into a 12V DC power supply.


Please use if the product works normally after connecting to power.

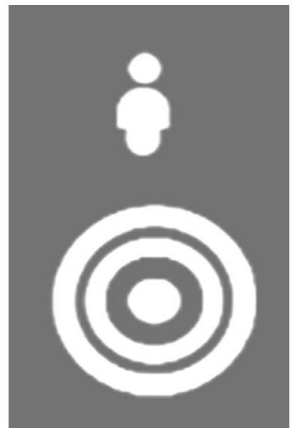
## Introduction

The box is an intelligent controller. With 5 touch buttons, it can turn ON/OFF the light and turn ON/OFF the induction function, change light colors, and adjust the light luminance.





## Operation

 This touch button is the master switch of the smart box, which can turn off all functions of the box and control the light strips on/off operation. The operation that can be turned on and off with just a light tap. Press and hold to adjust the brightness. Upon first power-up, the default light will be set to white.

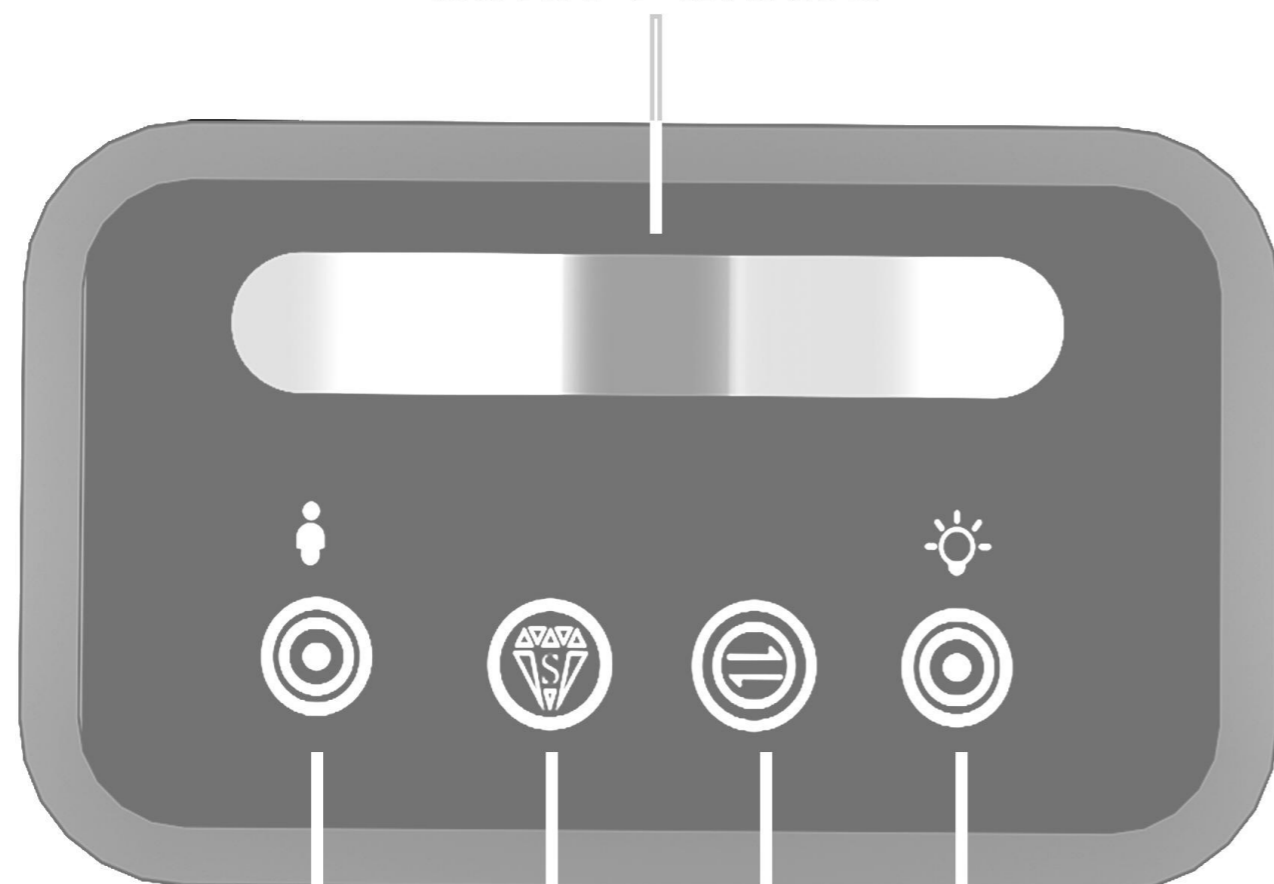
 This touch button is used to turn on/off the induction function.  
A. touch this button once to turn on the induction function (indicator light on).  
After the person leaves or remains stationary for more than 30 seconds, the light strip goes out; people and objects within a range of 1 meters move will light up the light strip.  
B. Long press this button for 0.5 seconds to turn off the human body induction function (the indicator light goes out).  
At this point, Keep the light strip as it was before turning off and no longer be affected by human and object activities. By default, induction function is enabled when powered on.

 This touch button is the Dynamic Phantom Color Mode, which includes 5 magical lighting effects. Simply tap to cycle through the options. (Attention: This mode cannot adjust the brightness)

 This touch button controls the single-color switching function of the light strips, offering 7 different colors to choose from.

 This area controls the color switching function. You can tap or slide to any color bar position to change the color.

Color Palette



Induction Button

Phantom Color Mode Button

Master Switch Button

7-Color Mode Button



## ATTENTION PLEASE

1. If there is no touch response suddenly, Re-plug the power to reset the touch static electricity.
2. If bubbles appear on the panel, remove the protective film.
3. If you have any questions when installing, please feel free to contact us. Thank you.



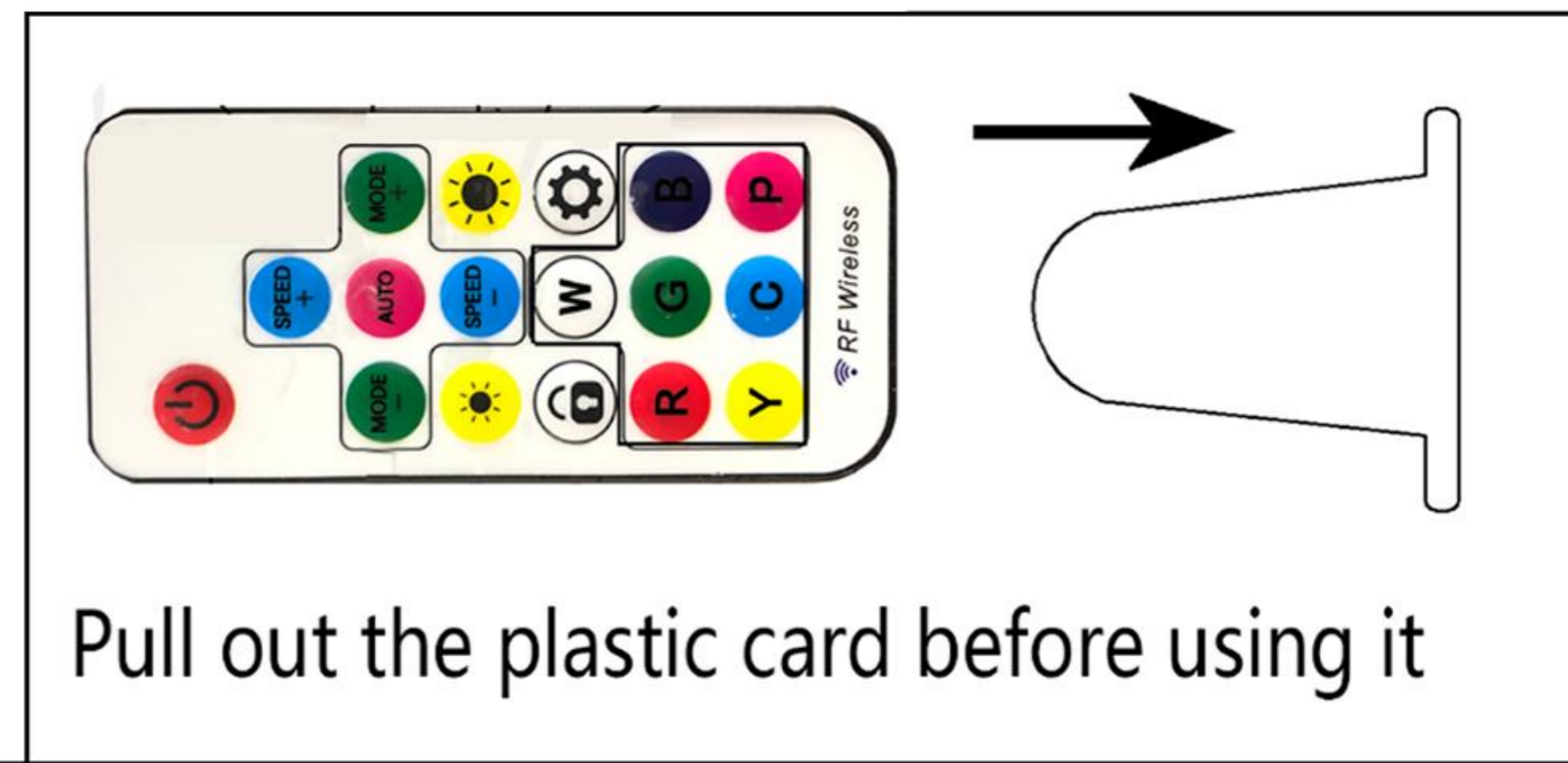
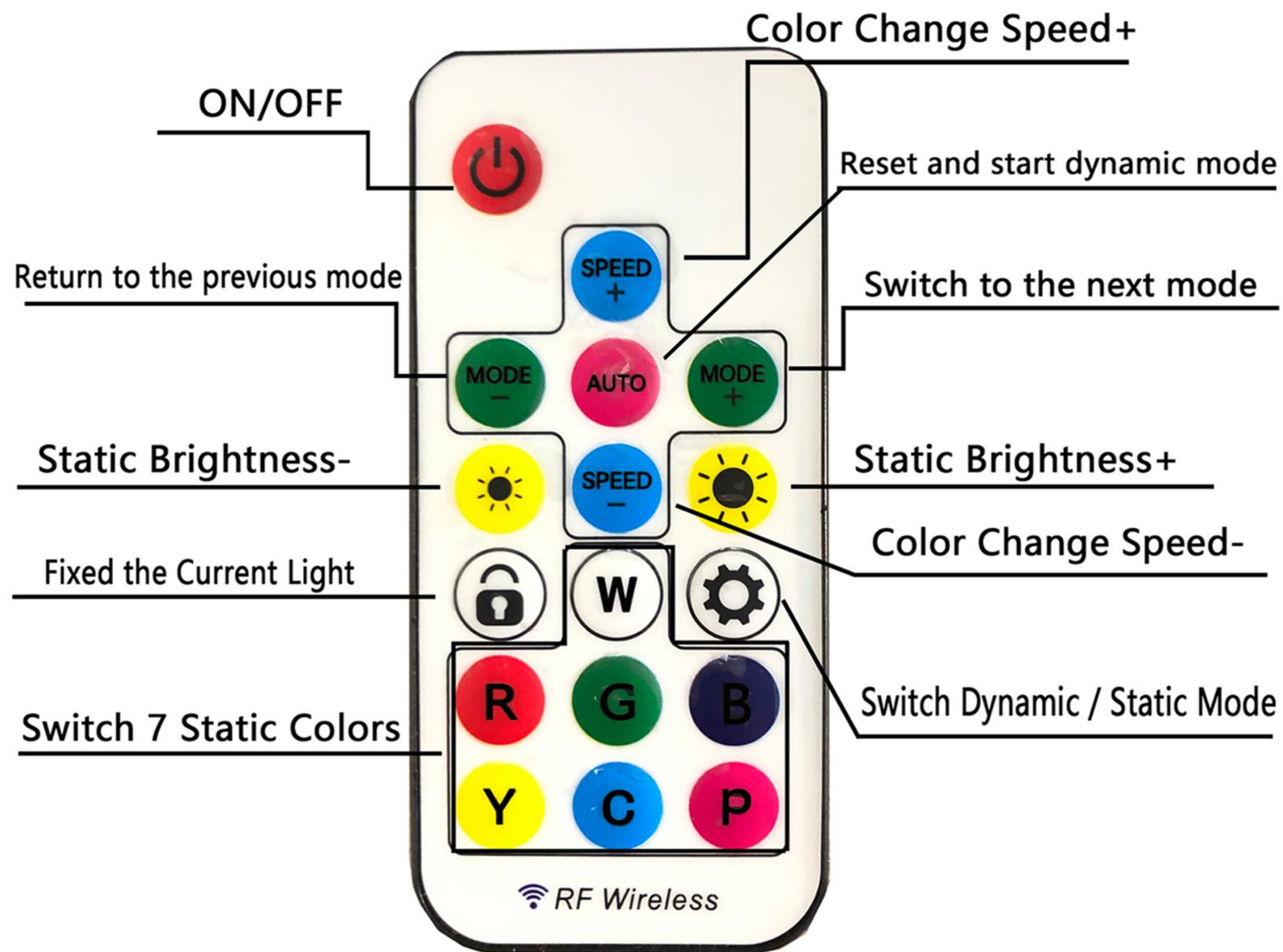
1. ON/OFF



2. Static Light Mode  
(Long press to adjust brightness)



3. Dynamic Mode  
(Long press to adjust)



## LED Lights Controller-use instructions

Remote Battery: CR205 3V

How to use the controller?

1. After inserting the DC power adapter, you can use the remote control to control the lights. Press The "on /off" key to turn on the light and it will enter the static light mode.
2. There are 7 RGB Dynamic Modes. You can press the "MODE+/- " key to choose dynamic colors that you preferred and press the " Speed+/-" key to adjust color change speed.
3. There are 7 static colors: White / Red / Green/ Blue / yellow / ice blue/ pink light. You can press the "Brightness +/-" key to adjust the brightness.
4. You can press the "lock" key to fix the color you like. When you press the "Switch Dynamic /Static Mode" ket, the light will change between dynamic mode and static mode.