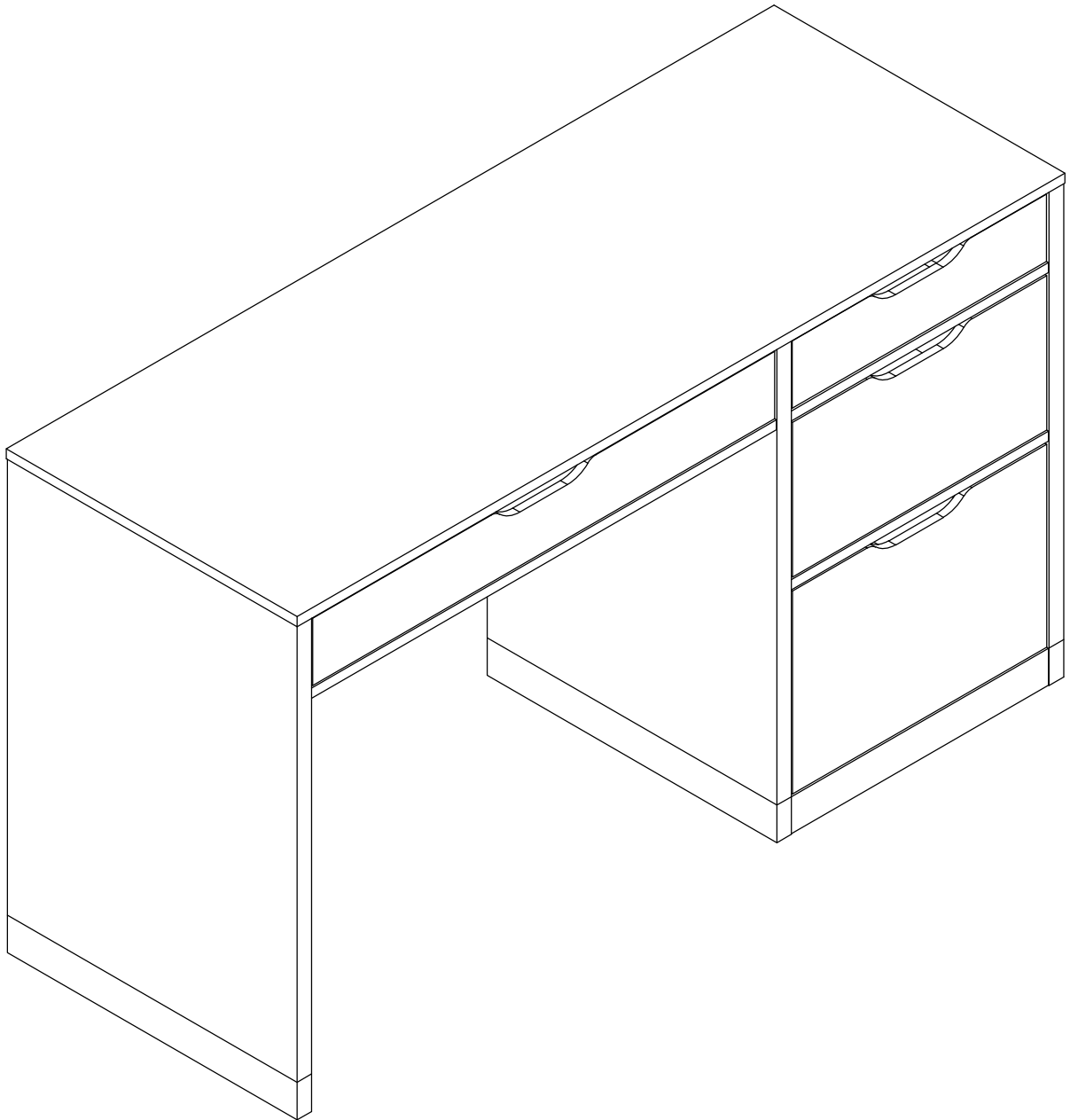
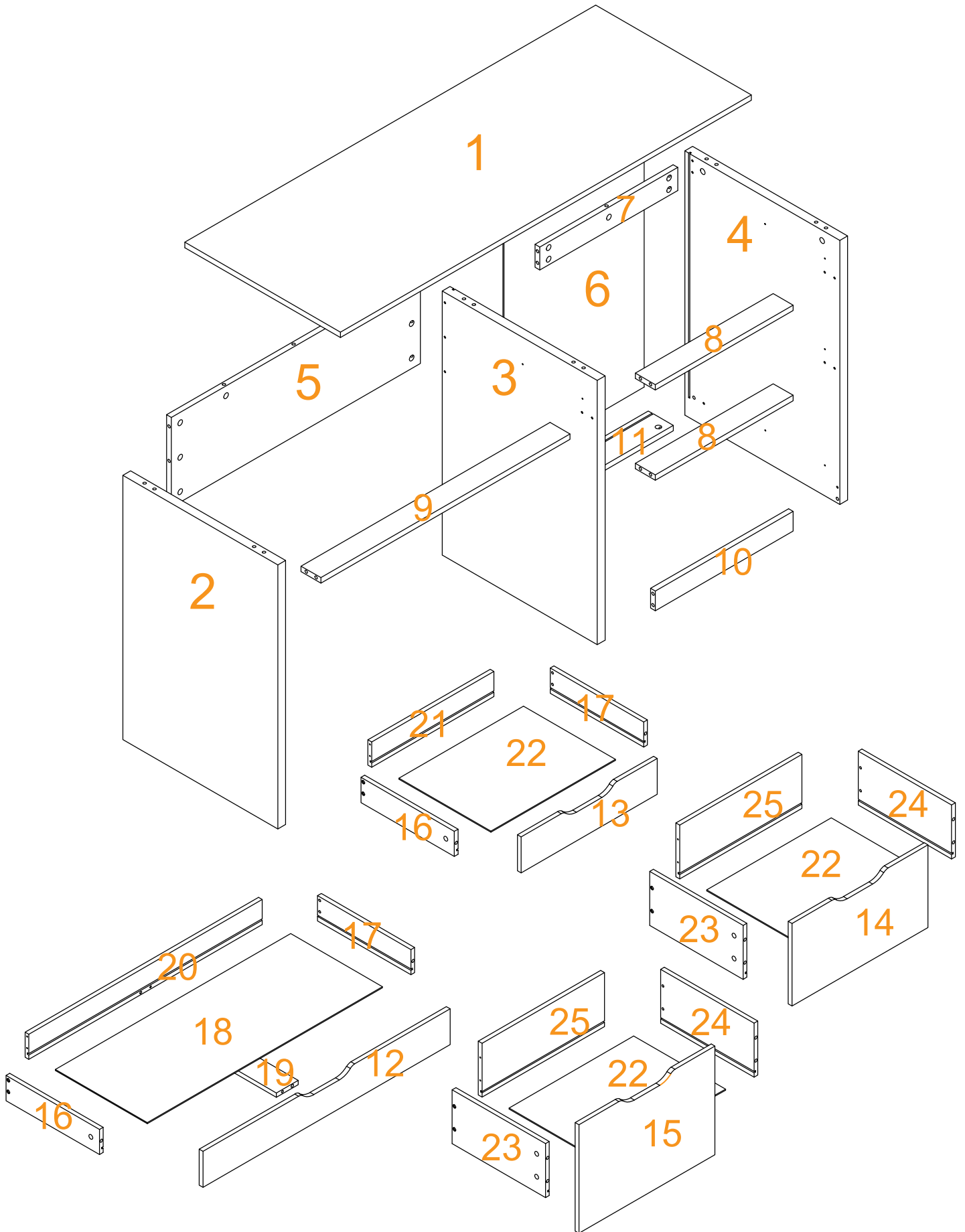


SKU:SF001033



ASSEMBLY INSTRUCTIONS



Trouble Shooting

Missing/Damaged pieces/
Wrong size and installation issues



Contact us with your problem, pic,
number and qty to the "Contact seller"
button in the detail page of your order



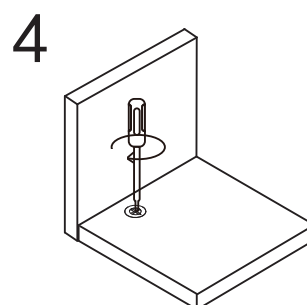
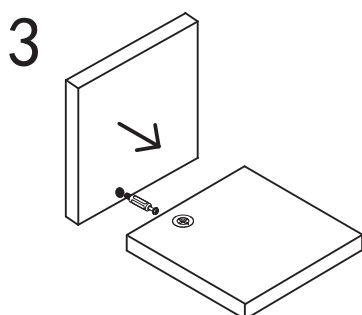
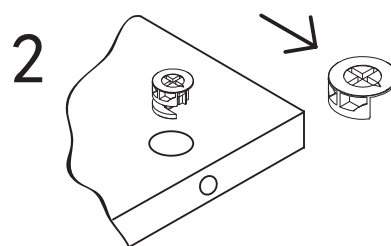
Respond with 24 hours to solve issue

Before You Start

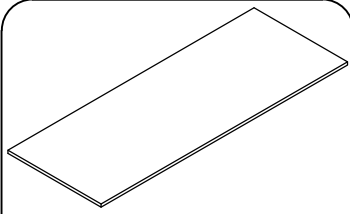
1. Read through each step carefully and follow the proper order
2. Separate and count all your parts and hardware
3. Give yourself enough room for the assembly process
4. Caution: If using a power drill or power screwdriver for screwing, please be aware to slow down and stop when screw is tight. Failure to do so may result in stripping the screw

Cam Lock Fastening System

This Cam Lock Fastening System will be used throughout the assembly process

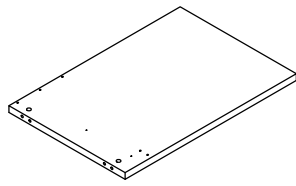


Parts List



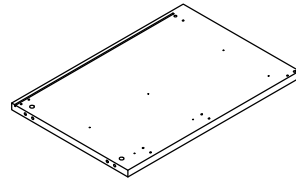
1

1PC



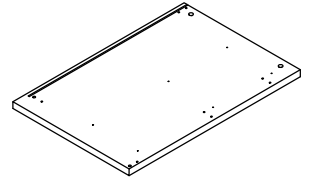
2

1PC



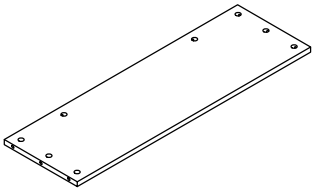
3

1PC



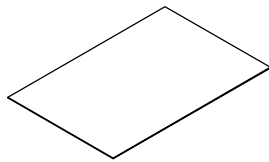
4

1PC



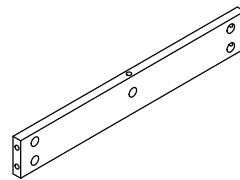
5

1PC



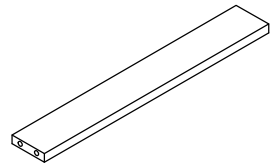
6

1PC



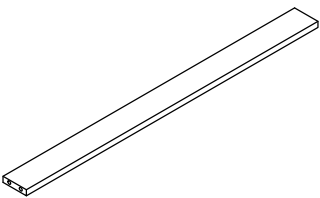
7

1PC



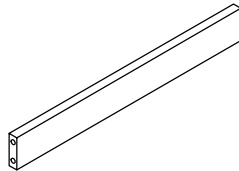
8

2PCS



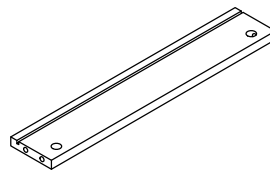
9

1PC



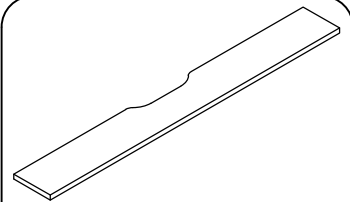
10

1PC



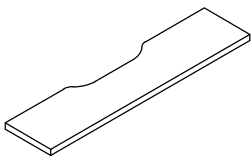
11

1PC



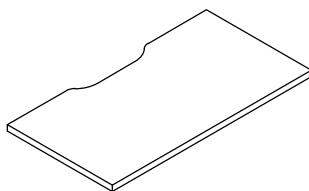
12

1PC



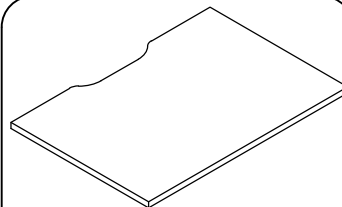
13

1PC



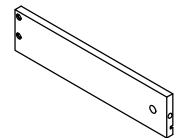
14

1PC



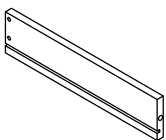
15

1PC



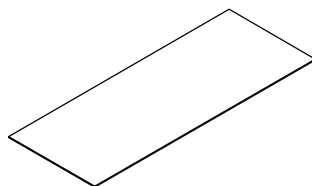
16

2PCS



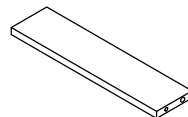
17

2PCS



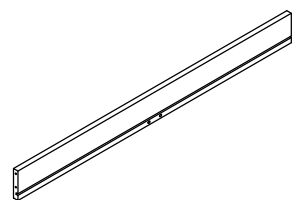
18

1PC



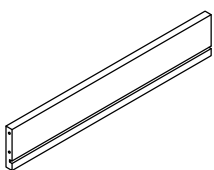
19

1PC



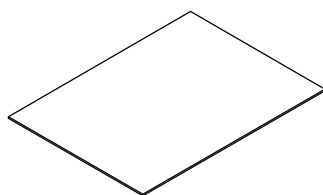
20

1PC



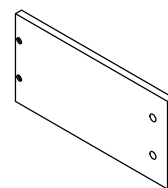
21

1PC



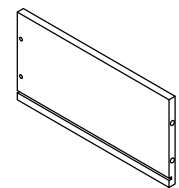
22

3PCS



23

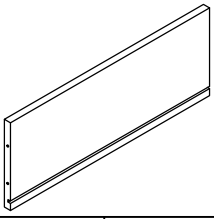
2PCS



24

2PCS

Parts List



25

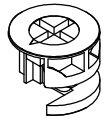
2PCS

Hardware List



A

49PCS



∅15

B

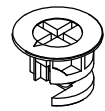
35PCS



∅8*30mm

C

11PCS



∅12

D

14PCS



∅4*40mm

E

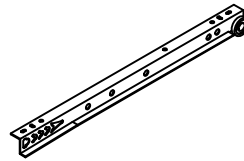
16PCS



∅3.5*12mm

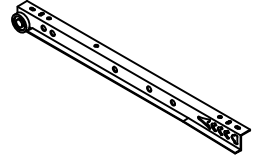
F

16PCS



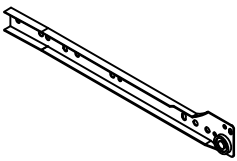
G

4PCS



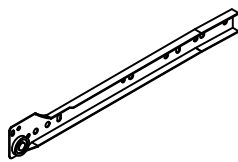
H

4PCS



I

4PCS



J

4PCS



∅3*12mm

K

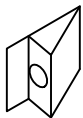
16PCS



∅3*14mm

L

8PCS



M

8PCS

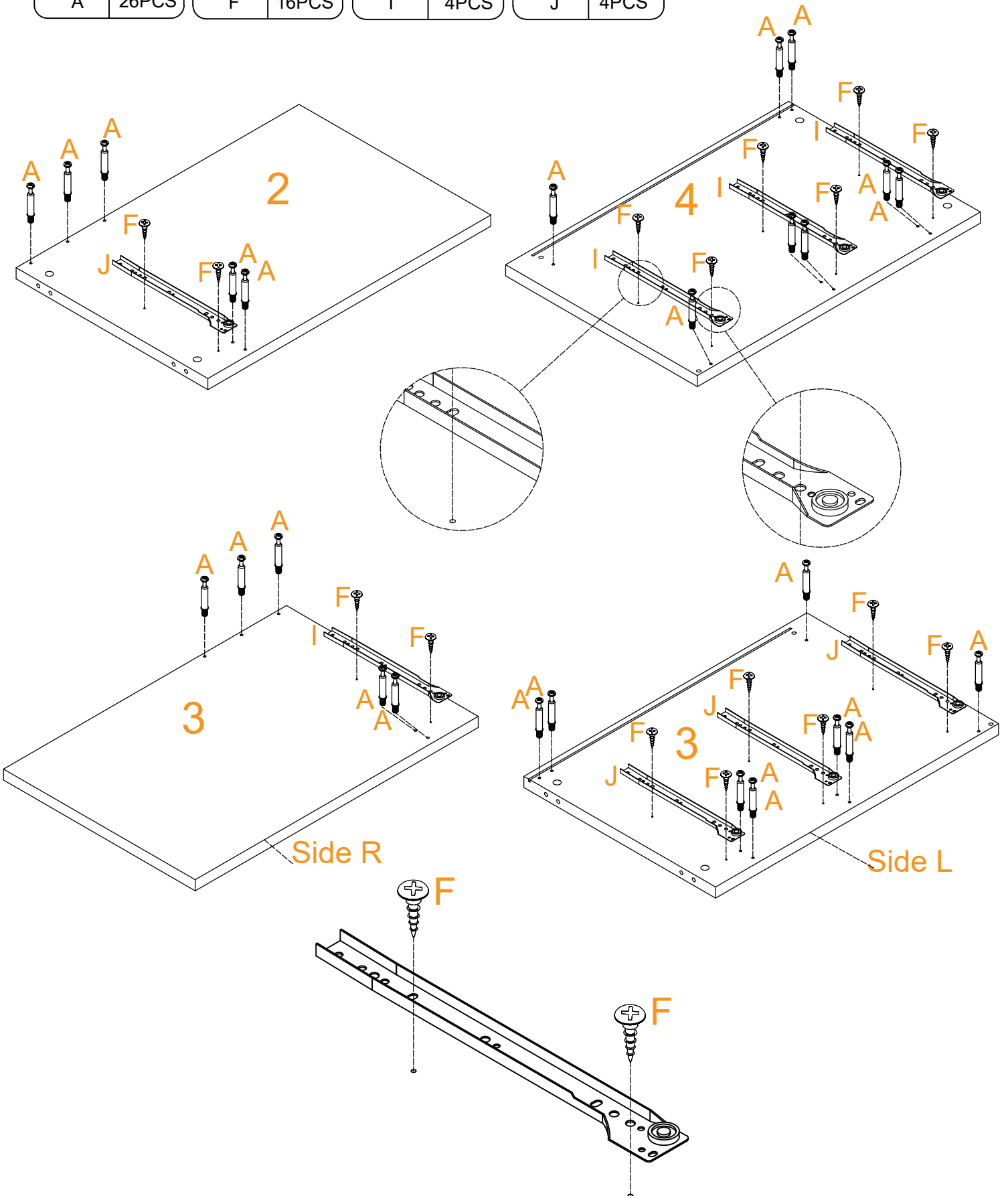
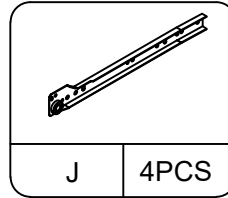
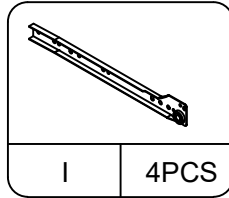
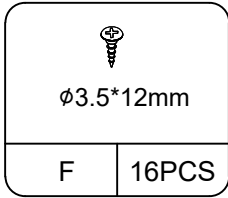
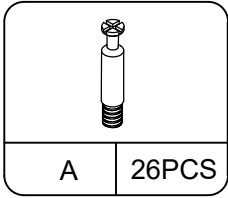


∅6*30mm

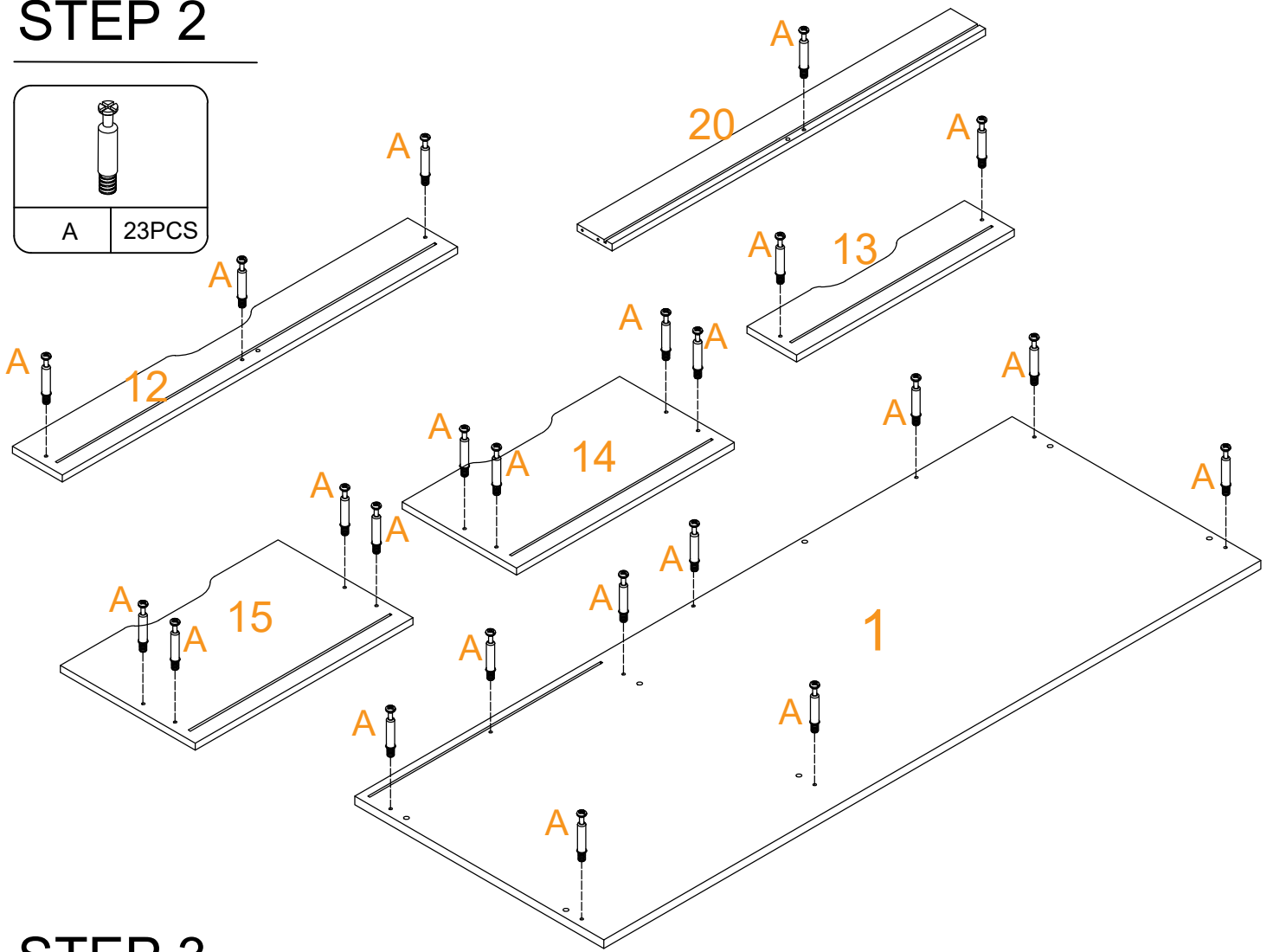
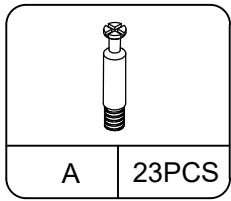
N

2PCS

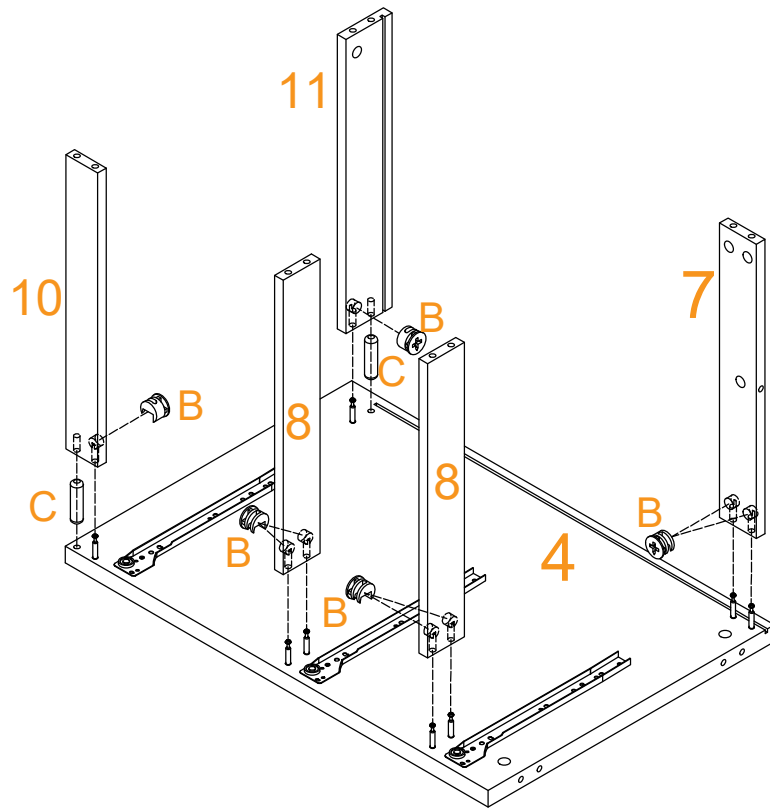
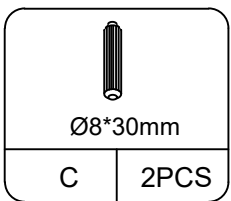
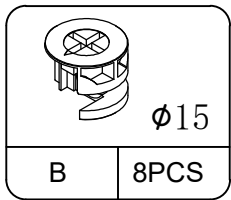
STEP 1



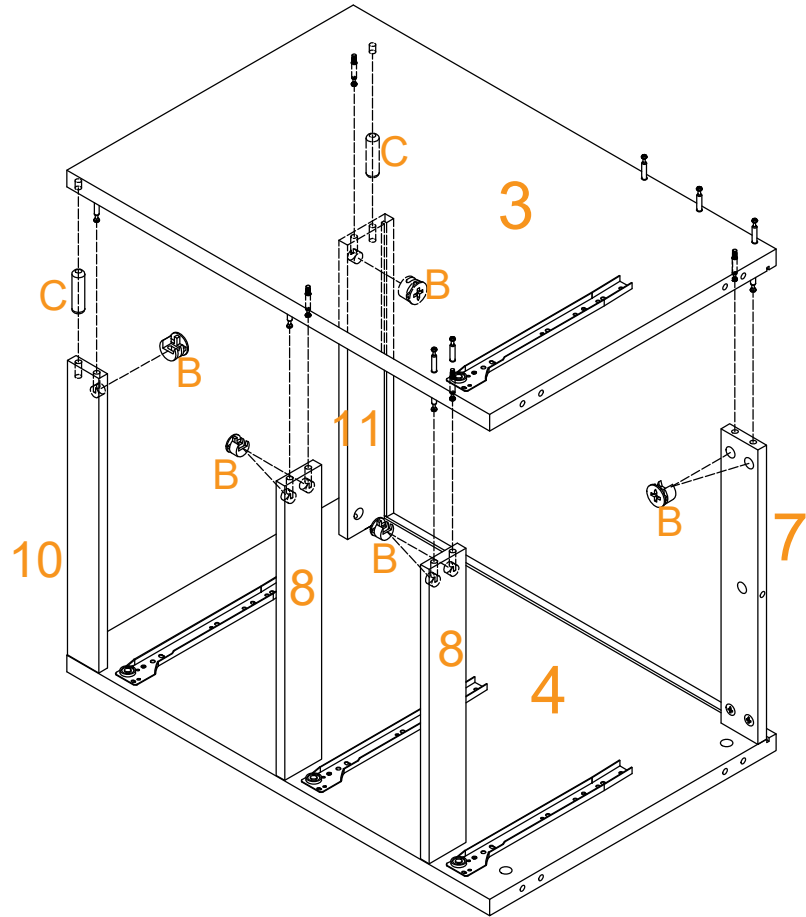
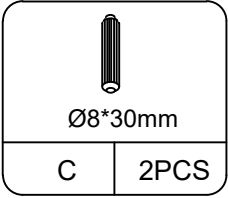
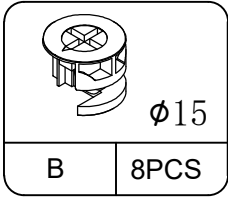
STEP 2



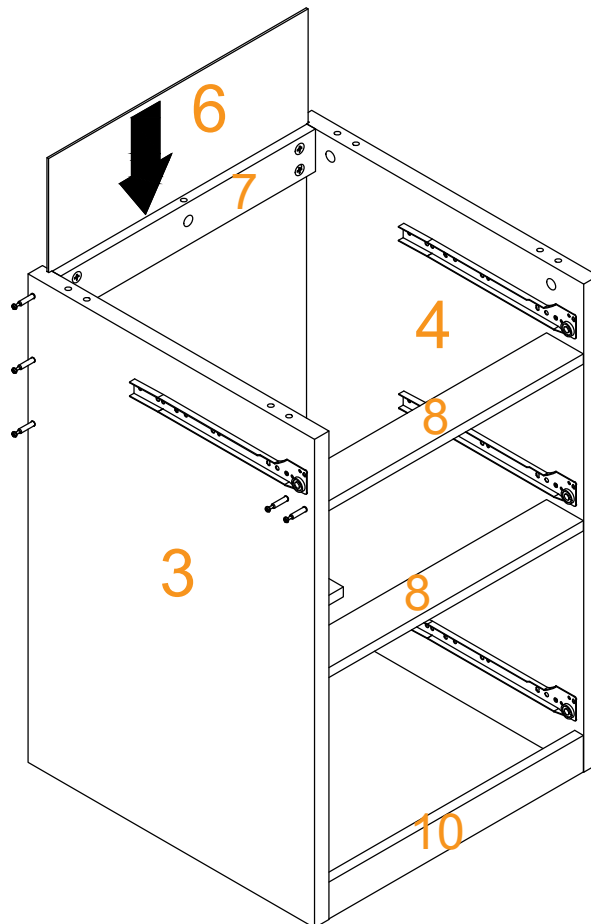
STEP 3



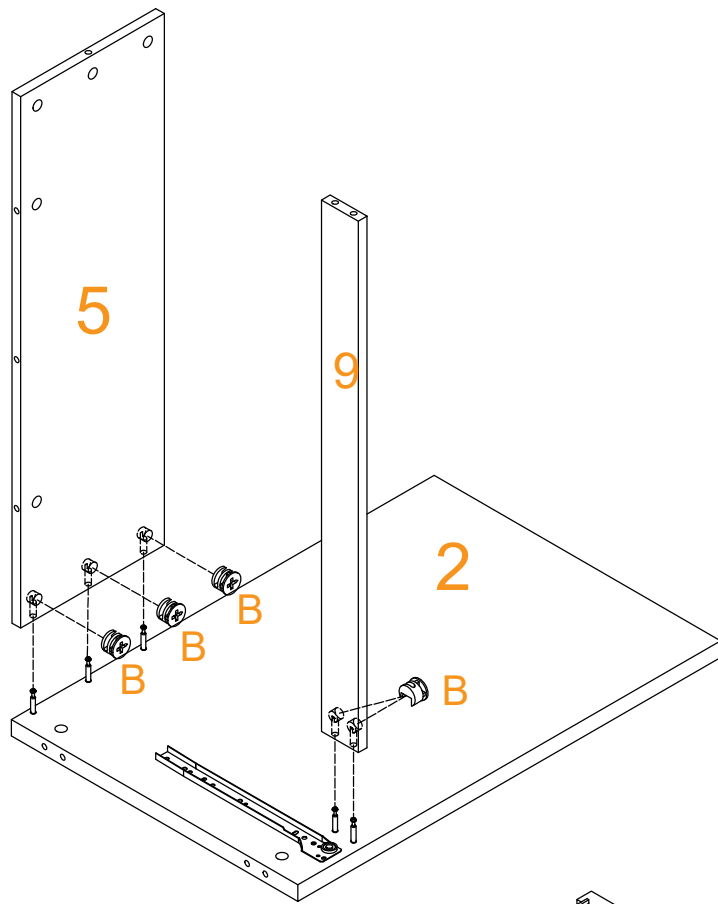
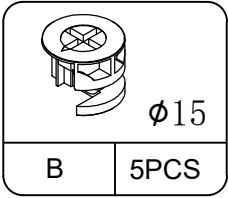
STEP 4



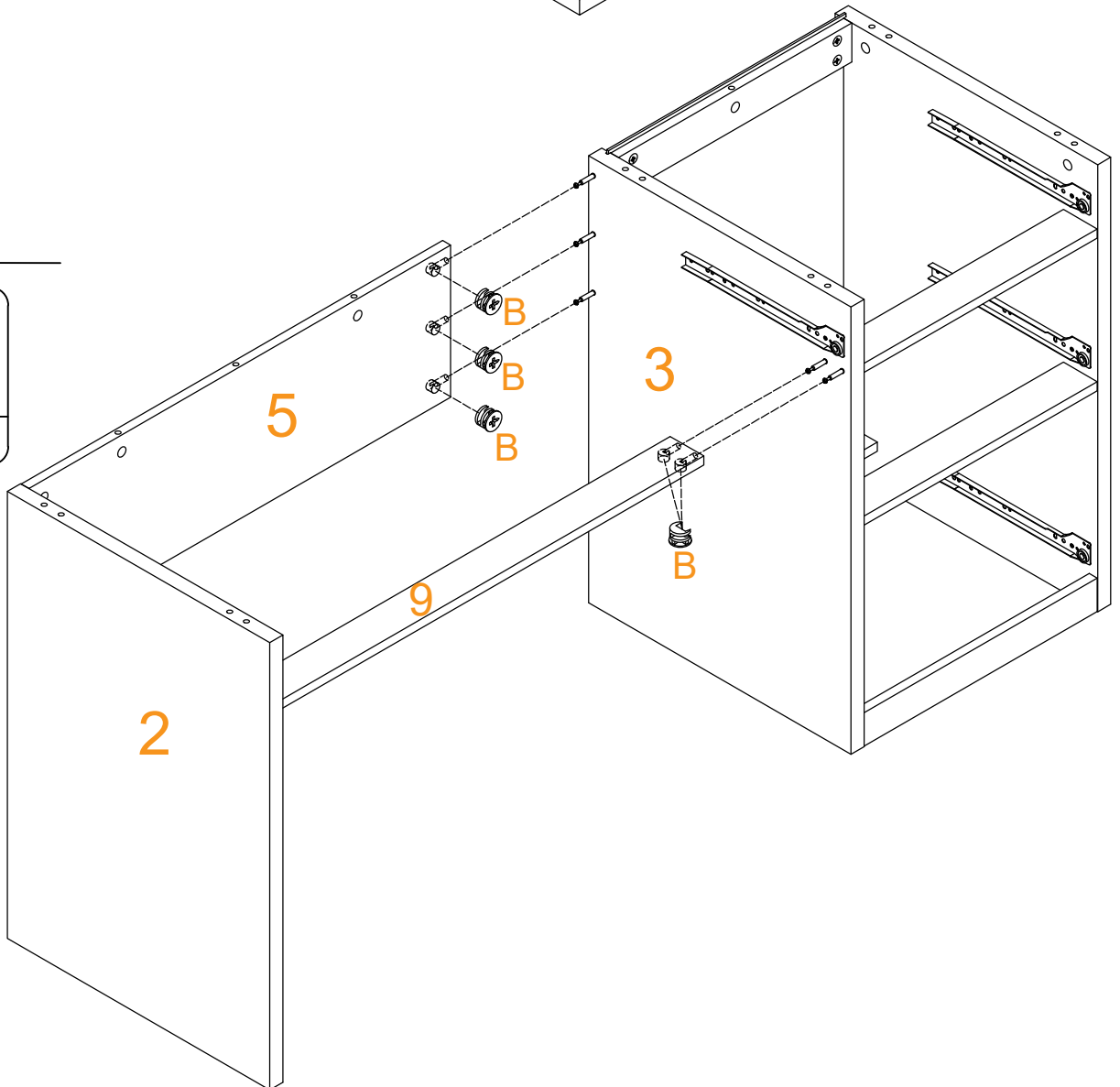
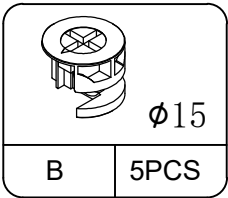
STEP 5



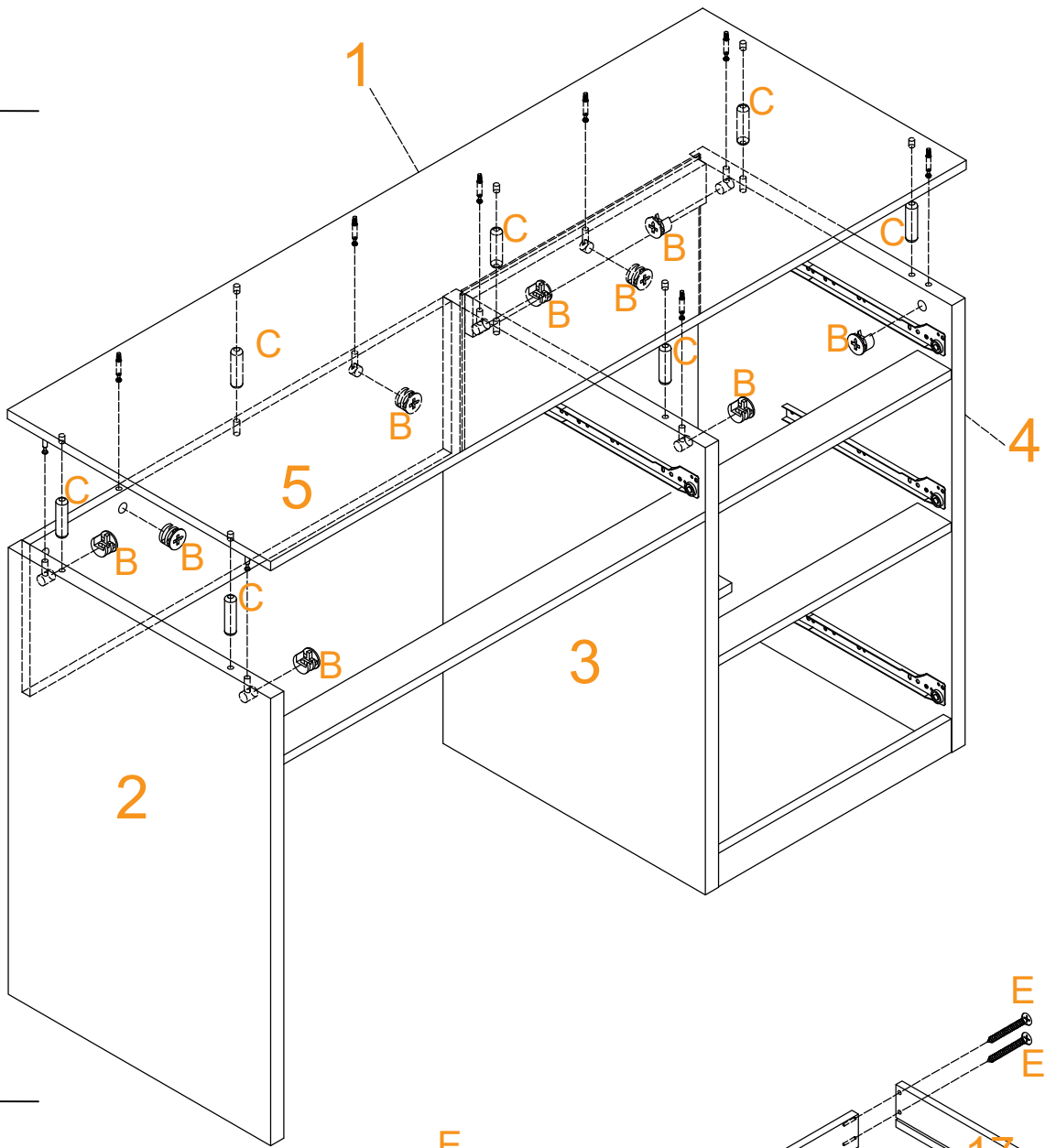
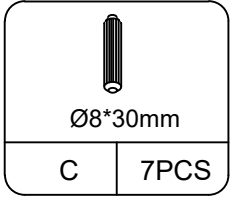
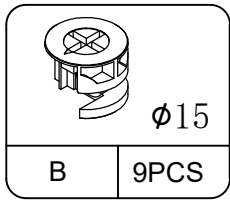
STEP 6



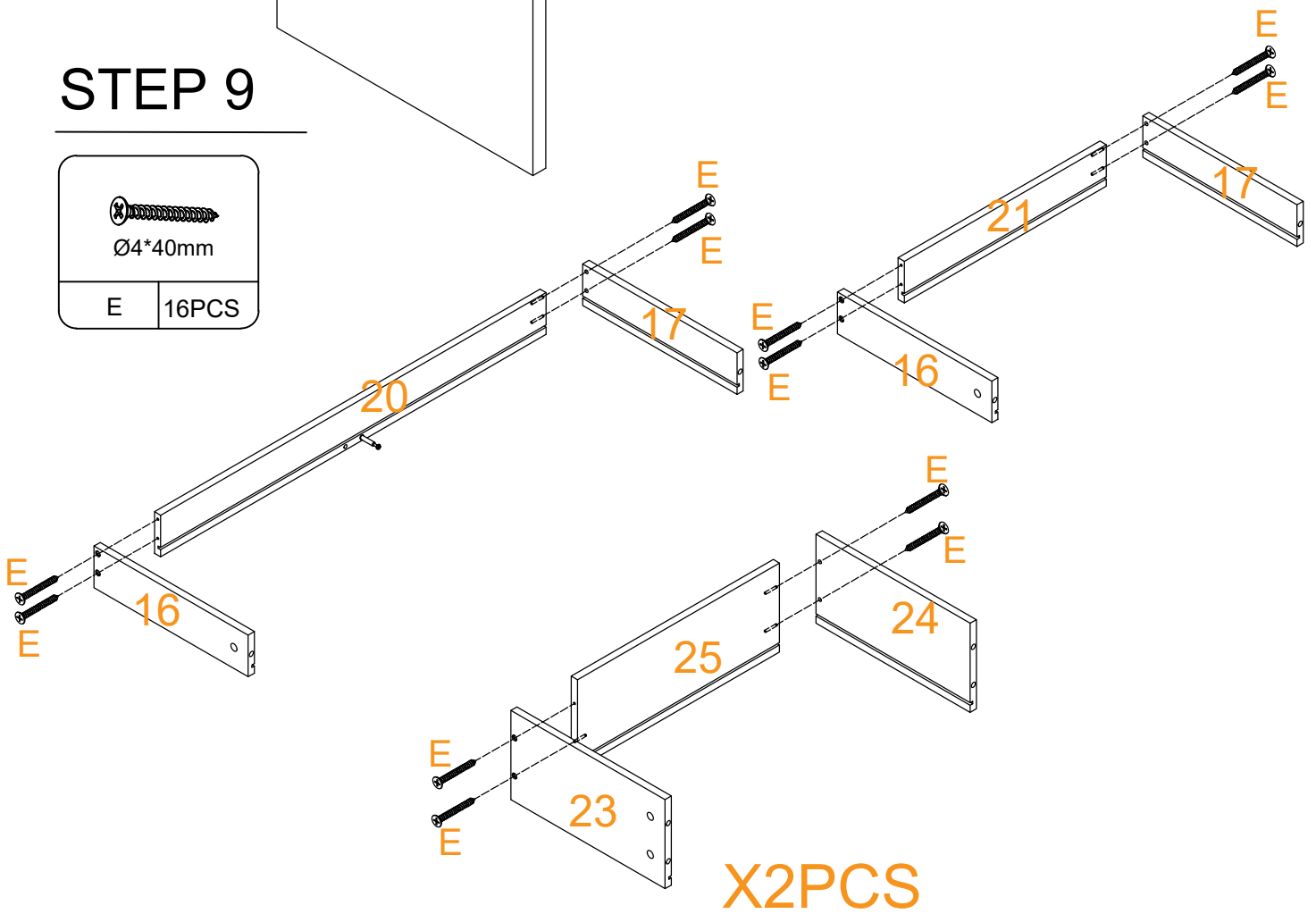
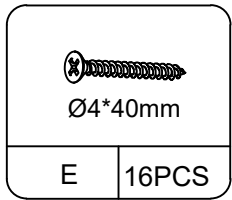
STEP 7



STEP 8

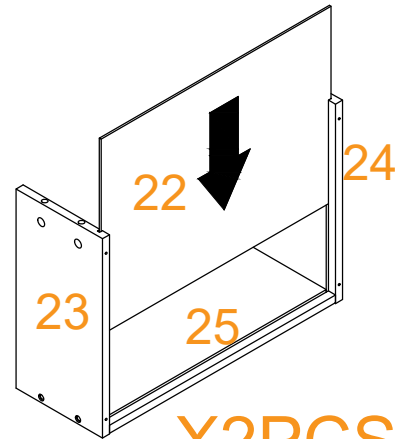
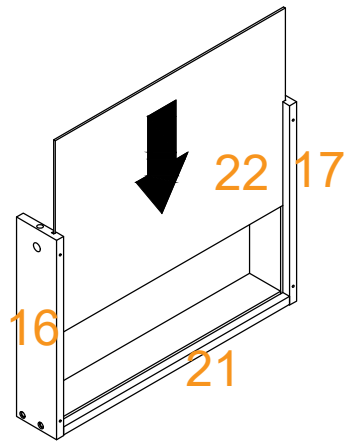
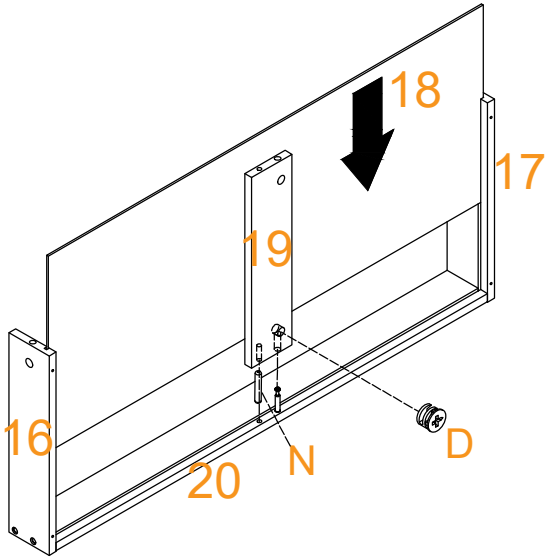
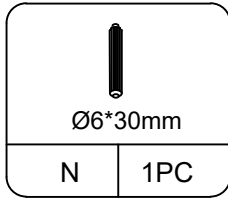
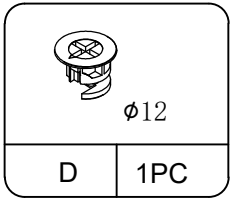


STEP 9



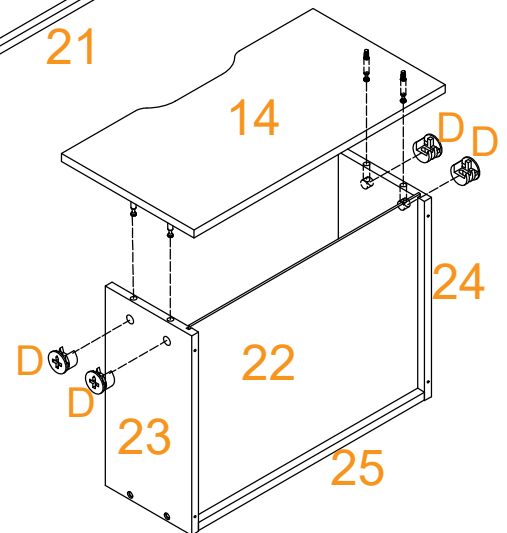
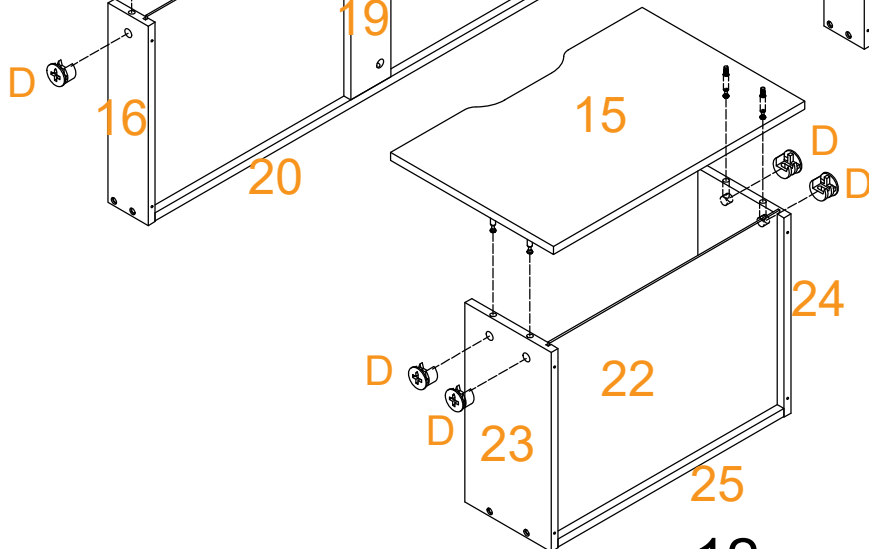
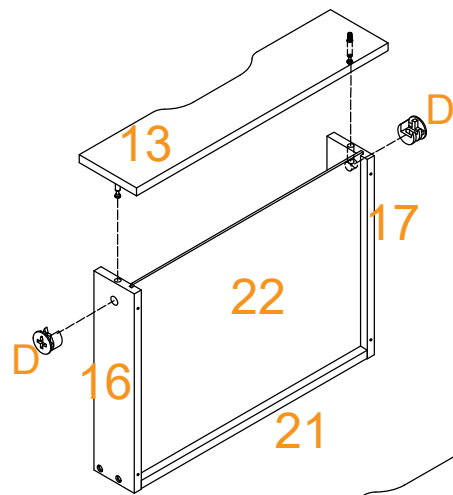
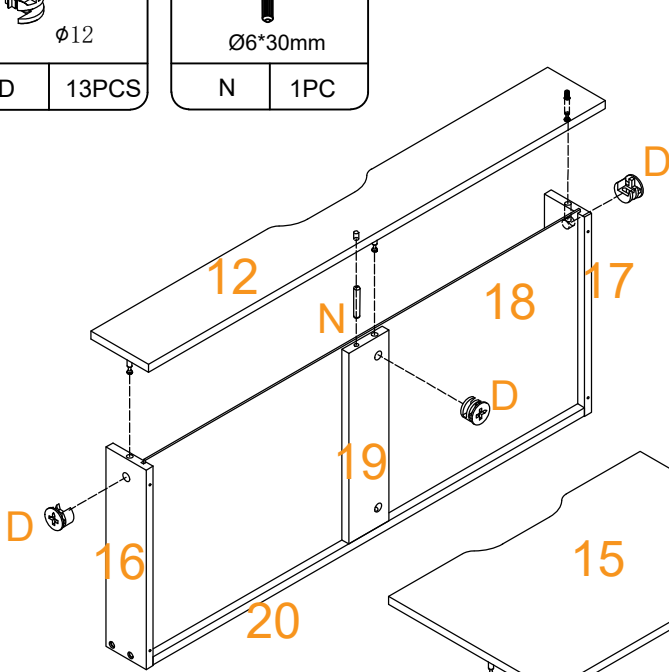
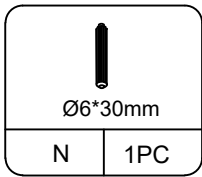
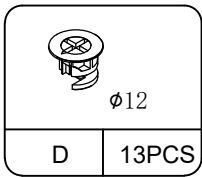
X2PCS

STEP 10

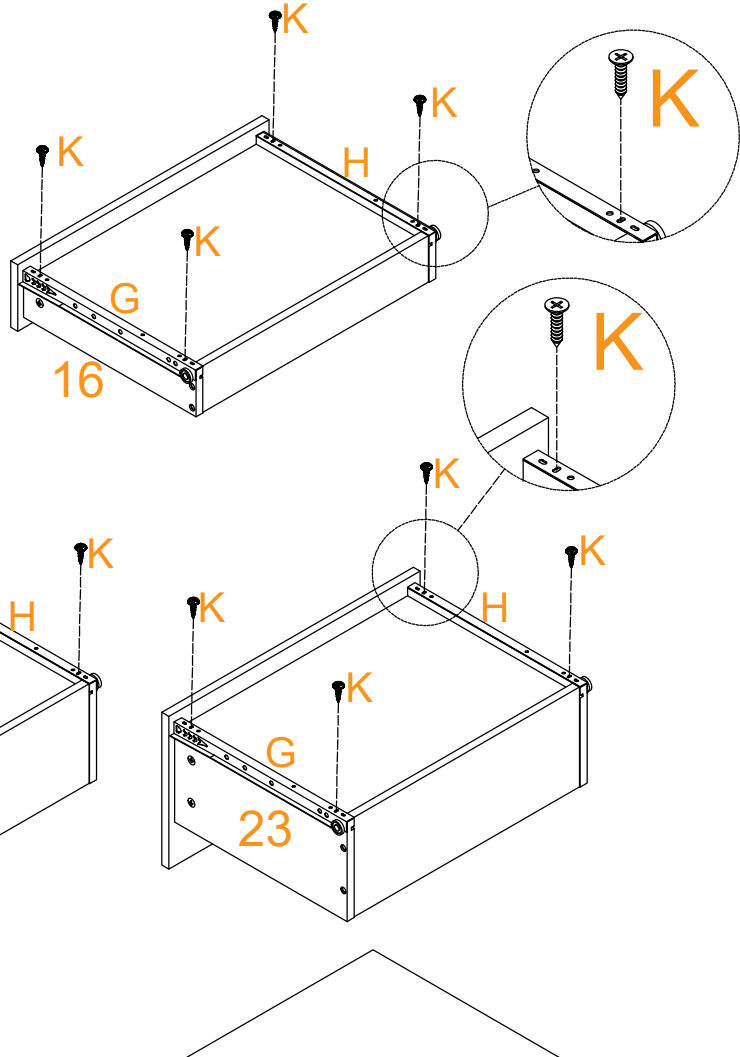
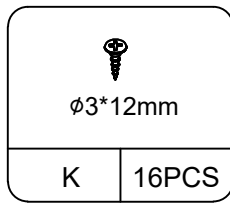
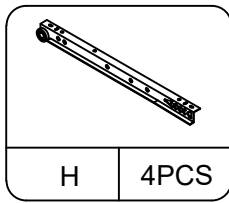
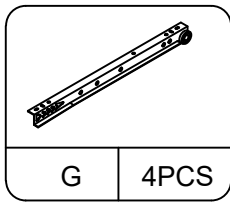


X2PCS

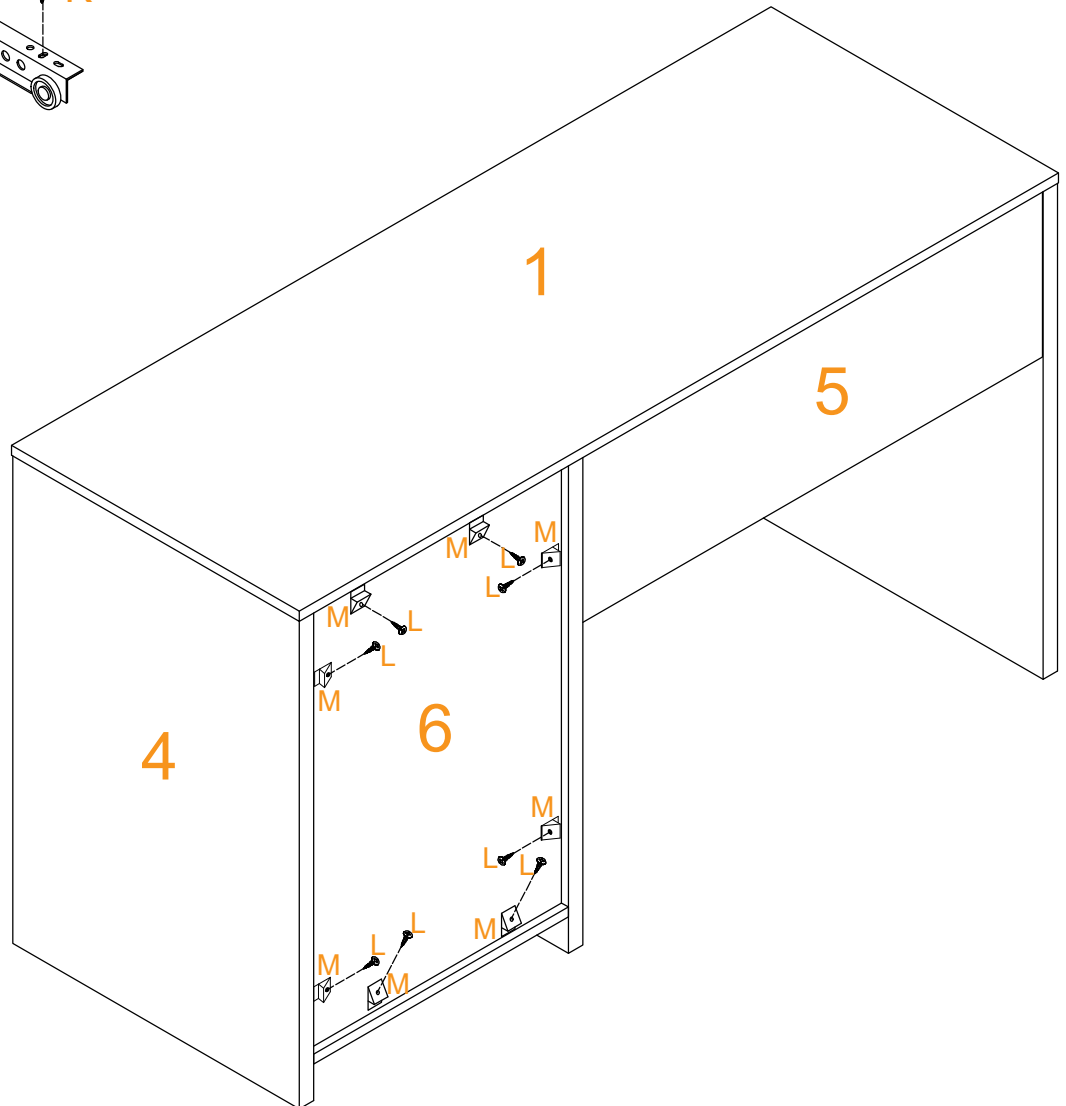
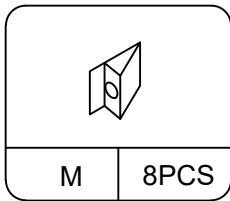
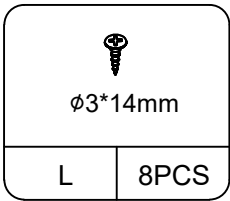
STEP 11



STEP 12



STEP 13



STEP 14

