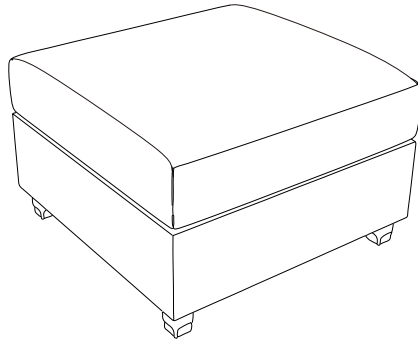
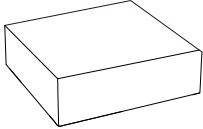
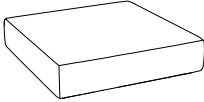
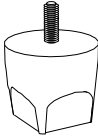


# ASSEMBLY INSTRUCTION



## PARTS LIST

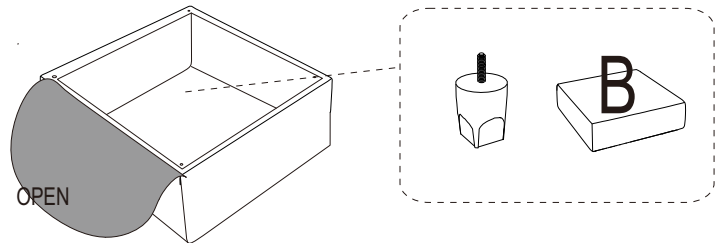
			
<b>A</b>	<b>x1</b>	<b>B</b>	<b>x1</b>
		<b>1</b>	<b>x4</b>

## ASSEMBLY INSTRUCTION

### Step1

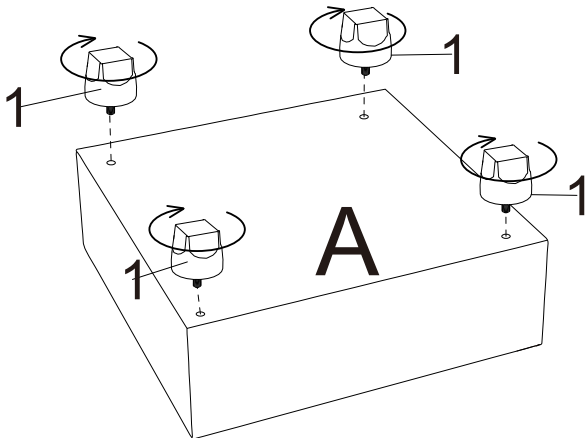
Open up Velcro of Non-Woven Fabric cover on the bottom of the to remove **HARDWARE** and **legs**.

Please allow at least 24 hours for the cushions to recover to its natural state after removing from the package.



After removing the cushion from the compress bag, please allow air to flow through the cushion for few days. You can try to fluff cushion by push in and push out on all four sides of the cushion. Hit the top/front of the cushion with your hand to fluff them after installation.

### Step2



### Step3

