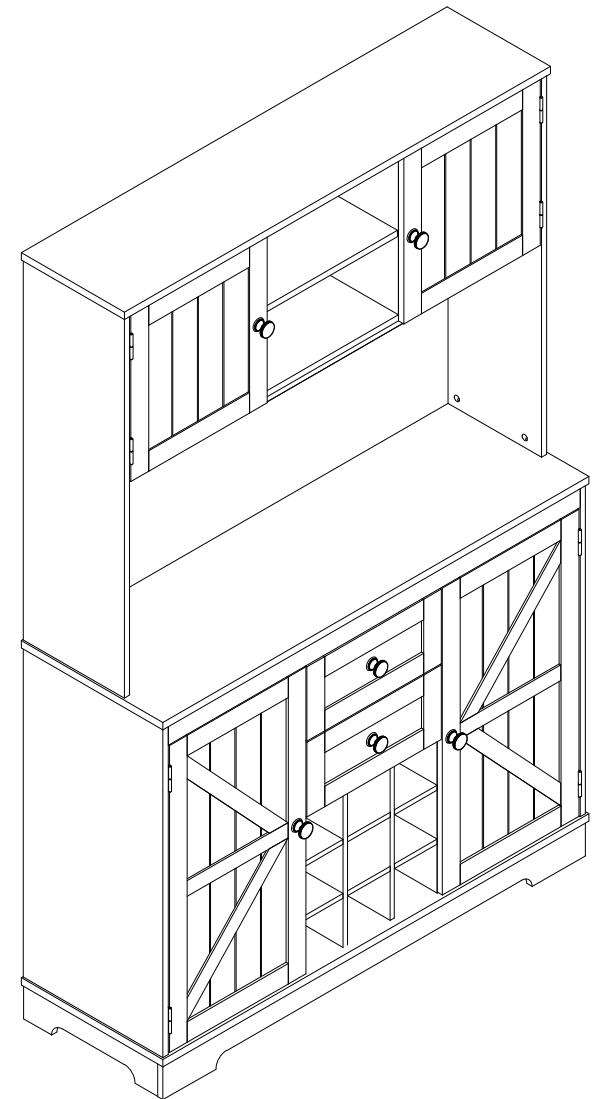
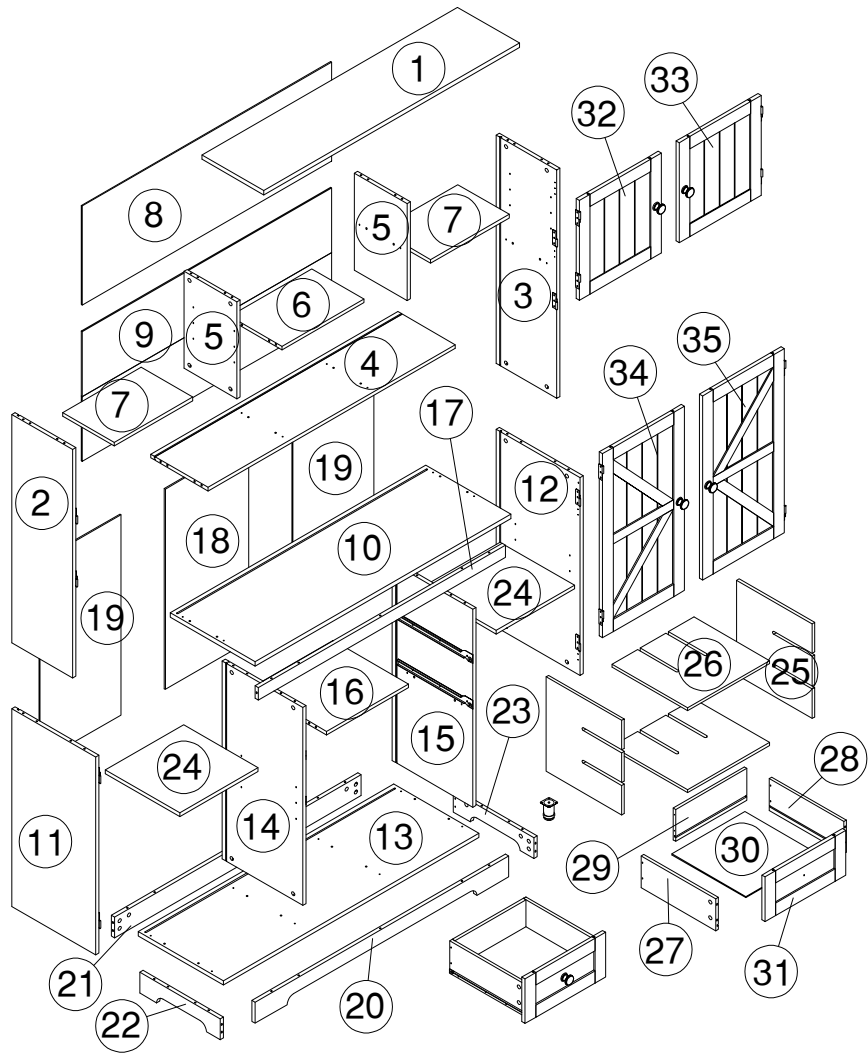
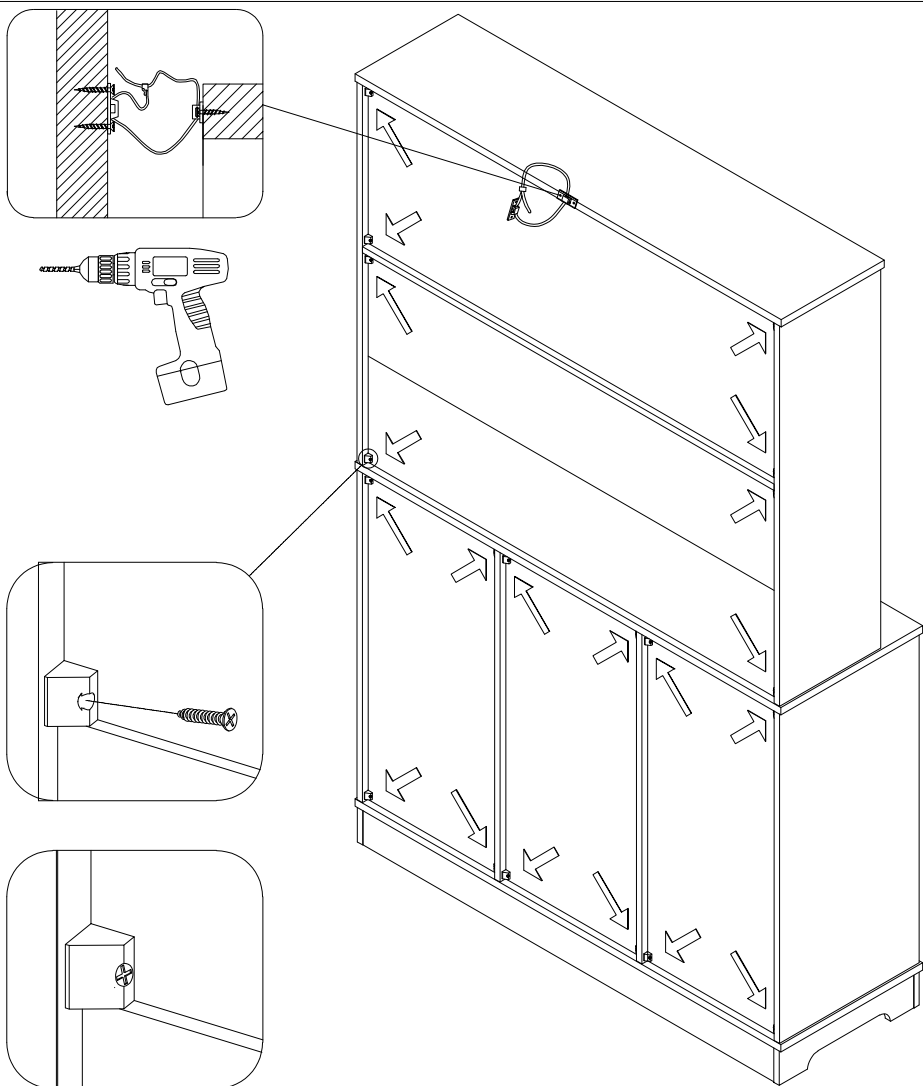


# Assembly Instructions



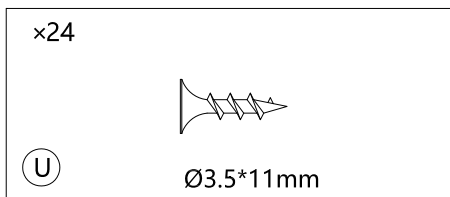
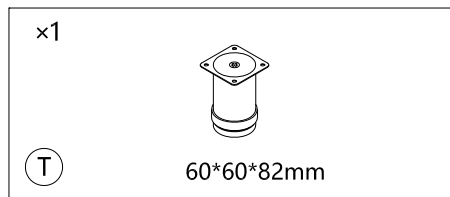
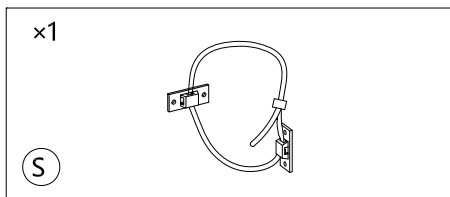
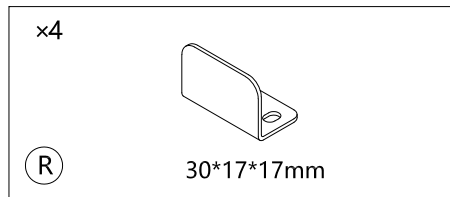
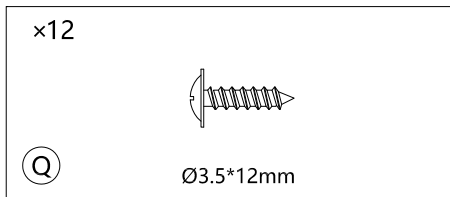
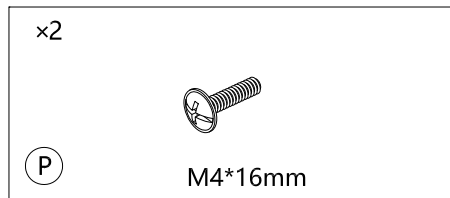
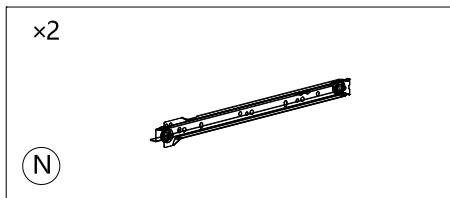


26

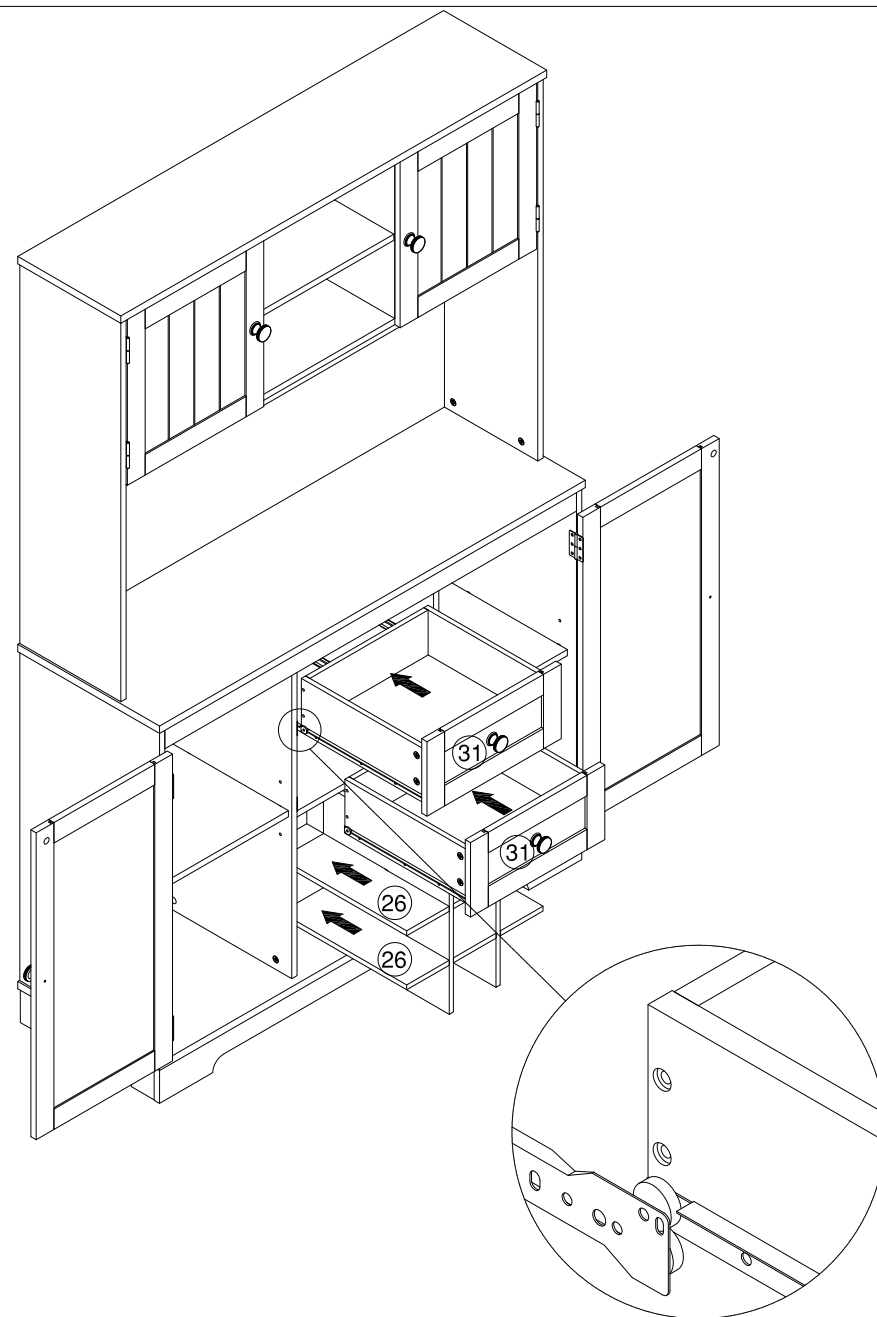


- F
[×20]
- S
[×1]
- E
[×20]

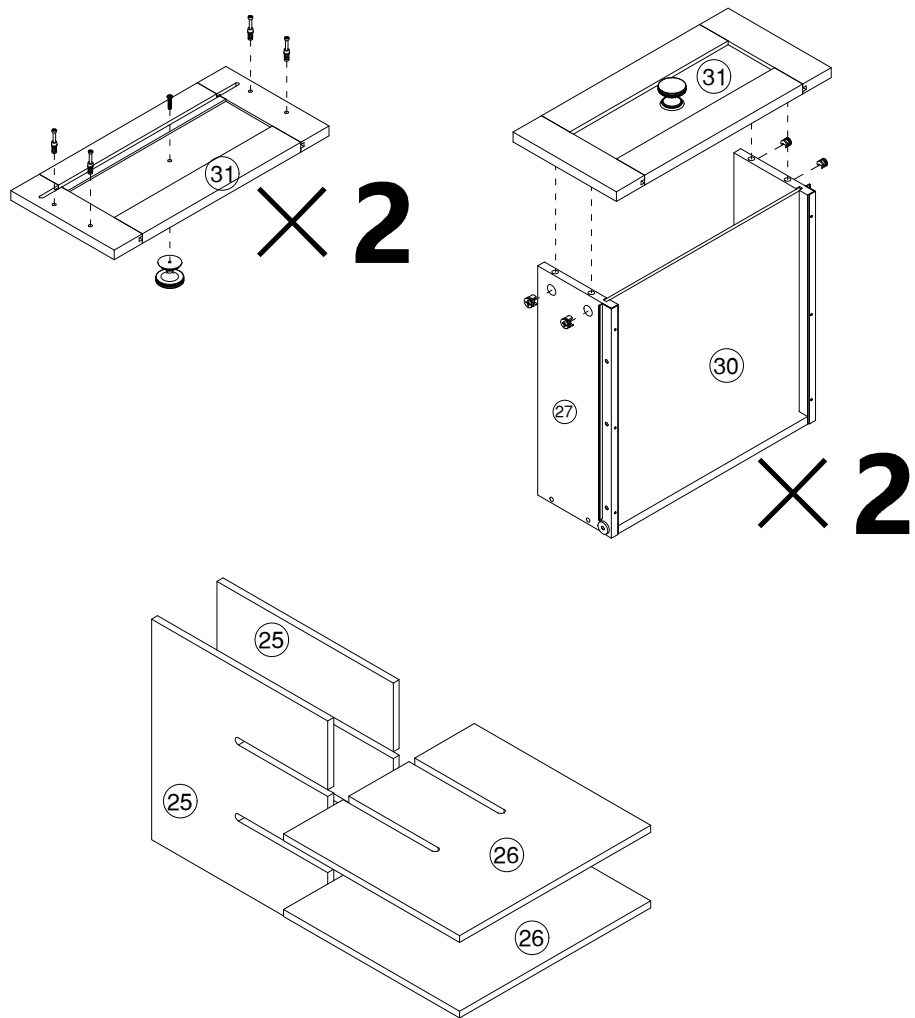
- |  |   |
|--|---|
| <p>×71</p> <div style="text-align: center;"> </div> <p><span style="border: 1px solid black; border-radius: 50%; padding: 2px 6px;">A</span> 34mm</p>    | <p>×63</p> <div style="text-align: center;"> </div> <p><span style="border: 1px solid black; border-radius: 50%; padding: 2px 6px;">B</span> Ø15*12mm</p> |
| <p>×58</p> <div style="text-align: center;"> </div> <p><span style="border: 1px solid black; border-radius: 50%; padding: 2px 6px;">C</span> Ø8*30mm</p> | <p>×8</p> <div style="text-align: center;"> </div> <p><span style="border: 1px solid black; border-radius: 50%; padding: 2px 6px;">D</span> Ø15*10mm</p>  |
| <p>×20</p> <div style="text-align: center;"> </div> <p><span style="border: 1px solid black; border-radius: 50%; padding: 2px 6px;">E</span> Ø3*18mm</p> | <p>×20</p> <div style="text-align: center;"> </div> <p><span style="border: 1px solid black; border-radius: 50%; padding: 2px 6px;">F</span></p>          |
| <p>×6</p> <div style="text-align: center;"> </div> <p><span style="border: 1px solid black; border-radius: 50%; padding: 2px 6px;">G</span> Ø28*20mm</p> | <p>×4</p> <div style="text-align: center;"> </div> <p><span style="border: 1px solid black; border-radius: 50%; padding: 2px 6px;">H</span> M4*25mm</p>   |
| <p>×2</p> <div style="text-align: center;"> </div> <p><span style="border: 1px solid black; border-radius: 50%; padding: 2px 6px;">J</span></p>          | <p>×8</p> <div style="text-align: center;"> </div> <p><span style="border: 1px solid black; border-radius: 50%; padding: 2px 6px;">K</span> Ø4*15mm</p>   |
| <p>×8</p> <div style="text-align: center;"> </div> <p><span style="border: 1px solid black; border-radius: 50%; padding: 2px 6px;">L</span> Ø5*38mm</p>  | <p>×16</p> <div style="text-align: center;"> </div> <p><span style="border: 1px solid black; border-radius: 50%; padding: 2px 6px;">M</span></p>          |



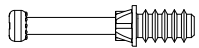
25



24



A [x8]



D [x8]



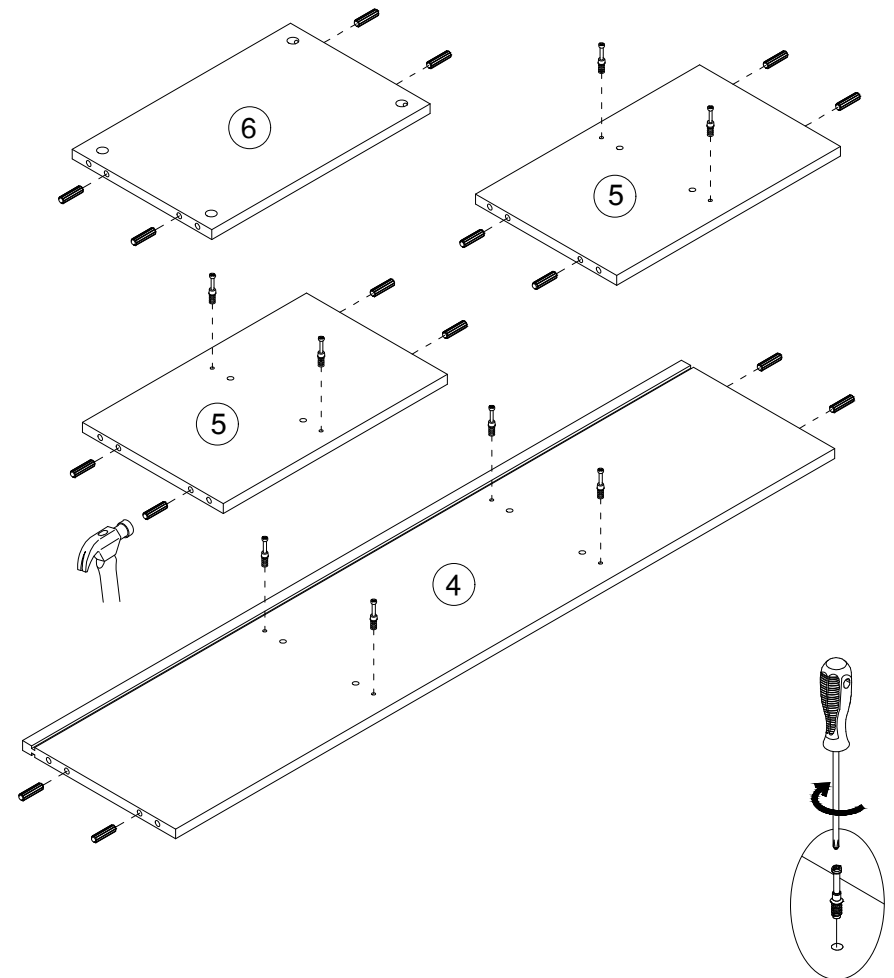
P [x2]



G [x2]



1



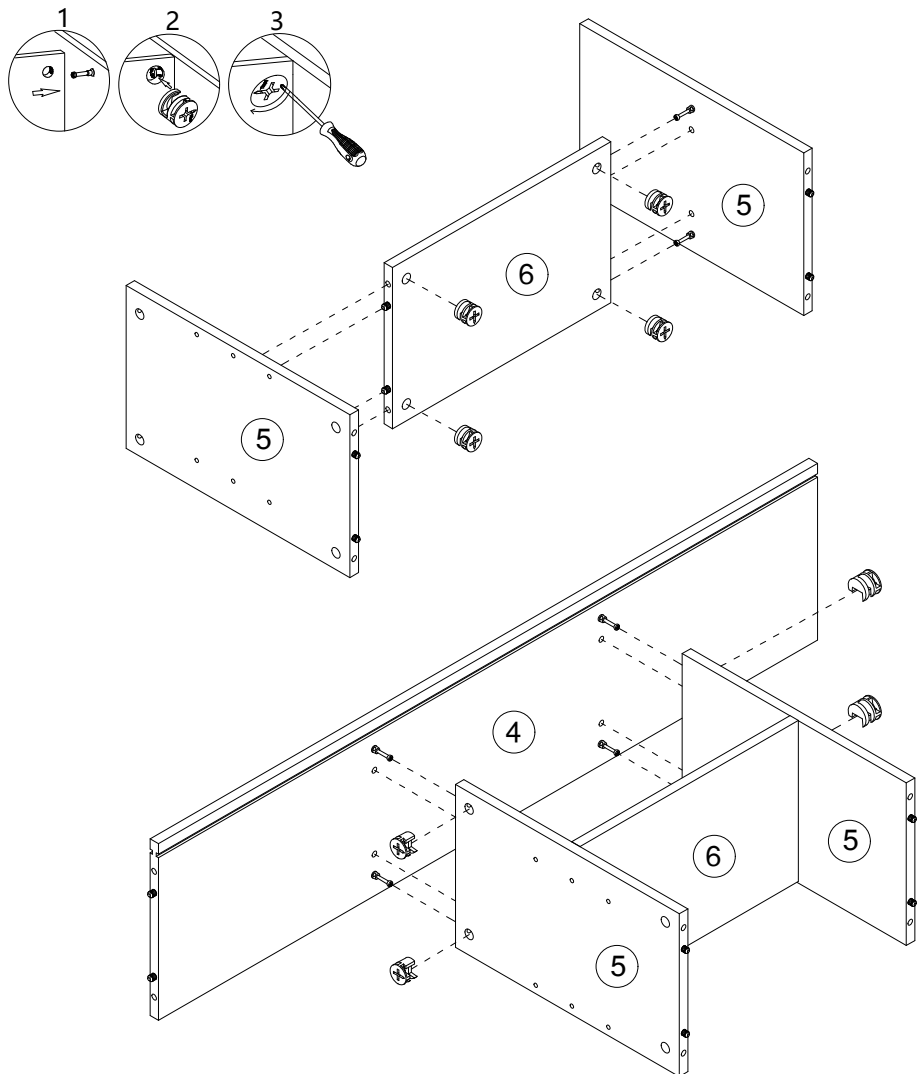
A [x8]



C [x16]



2

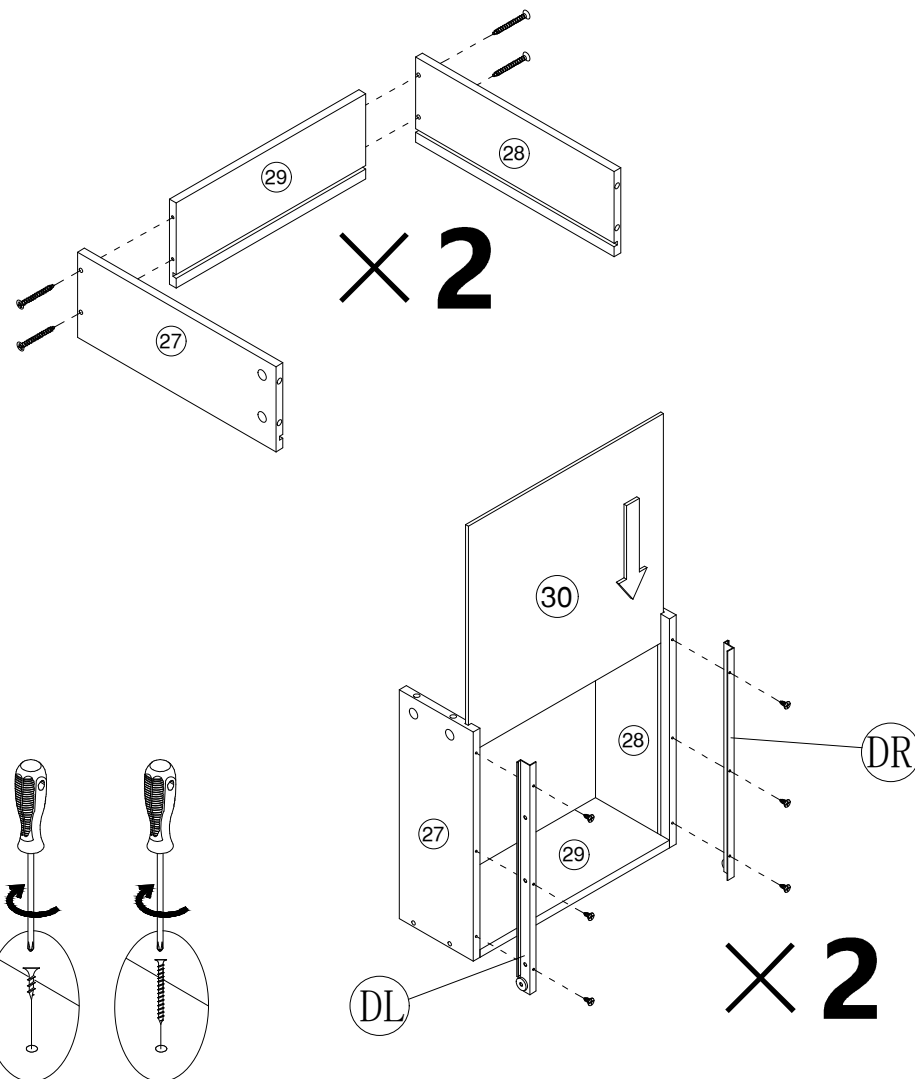


(B)

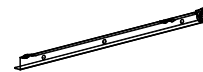


[x8]

23

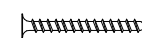


(N)



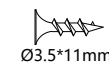
[x4]

(L)



[x8]

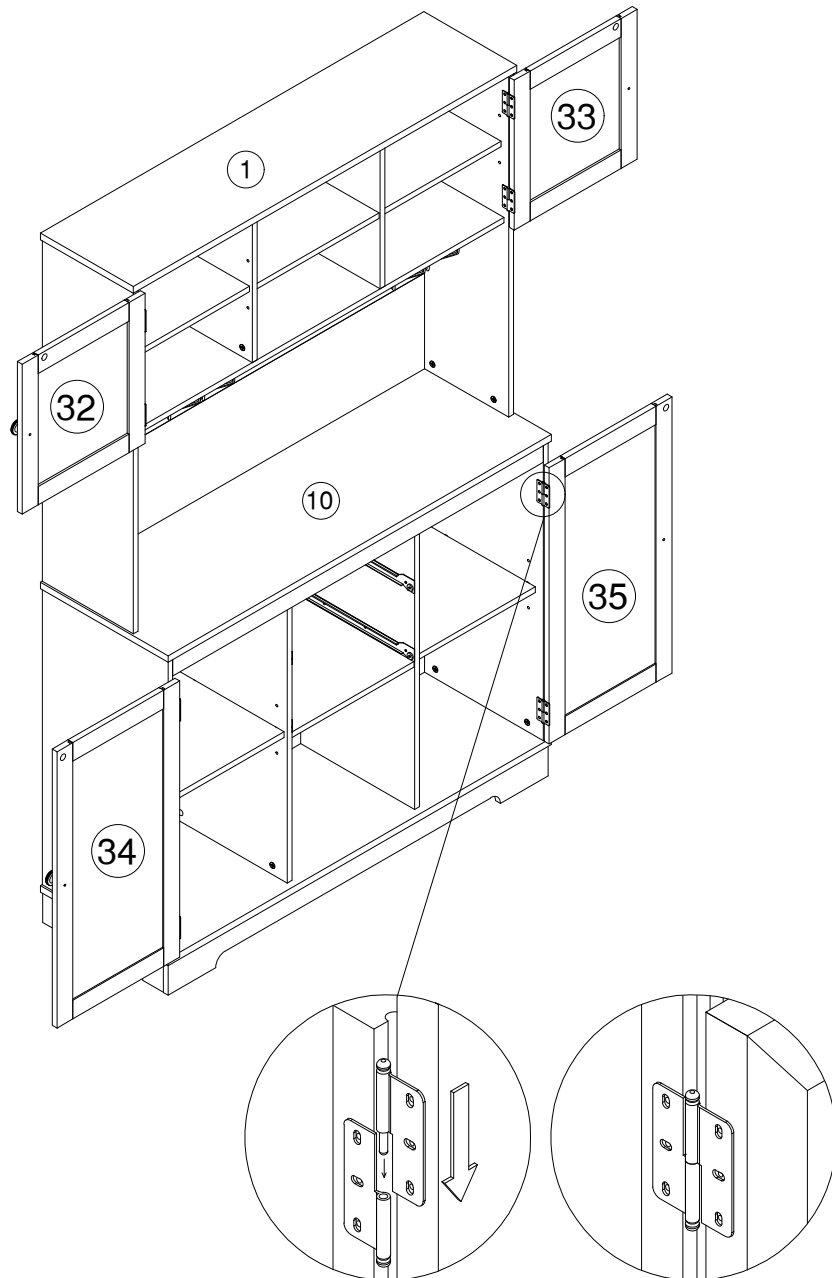
(U)



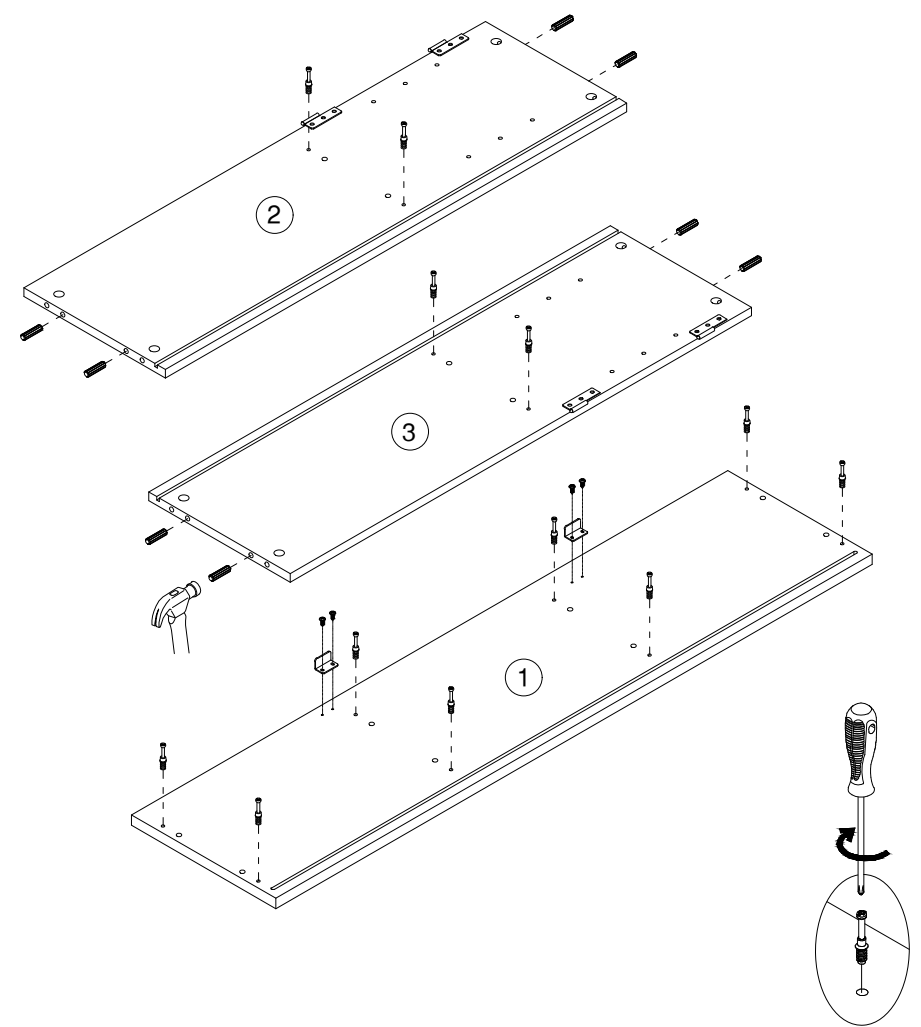
Ø3.5\*11mm

[x12]

22

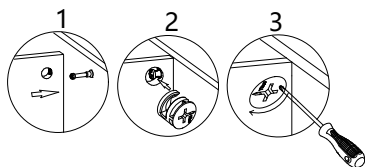
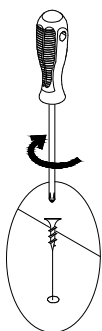
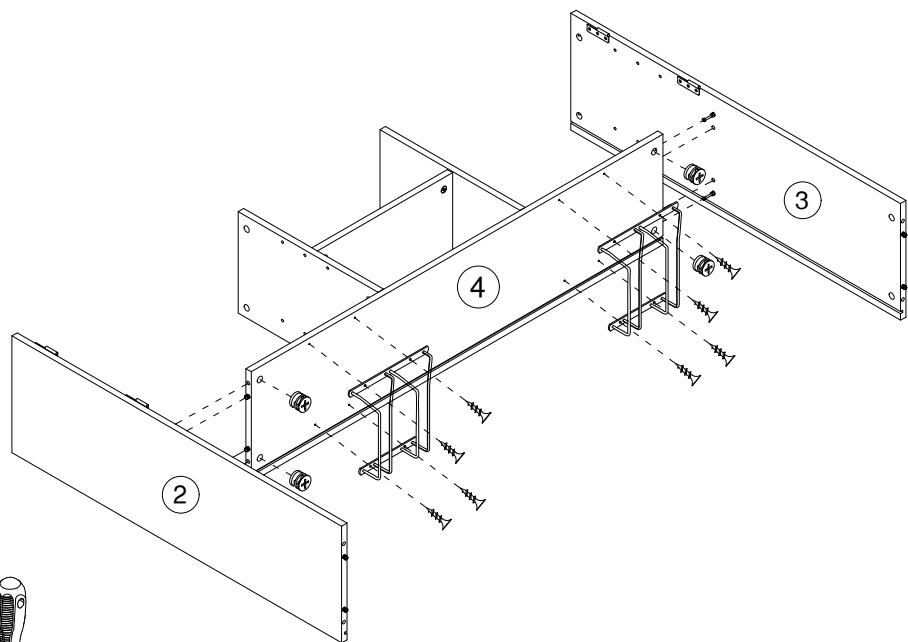


3

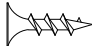


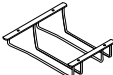
- |   |  |       |   |  |      |
|---|--|-------|---|--|------|
| A |  | [x12] | C |  | [x8] |
| Q |  | [x4]  | R |  | [x2] |

4

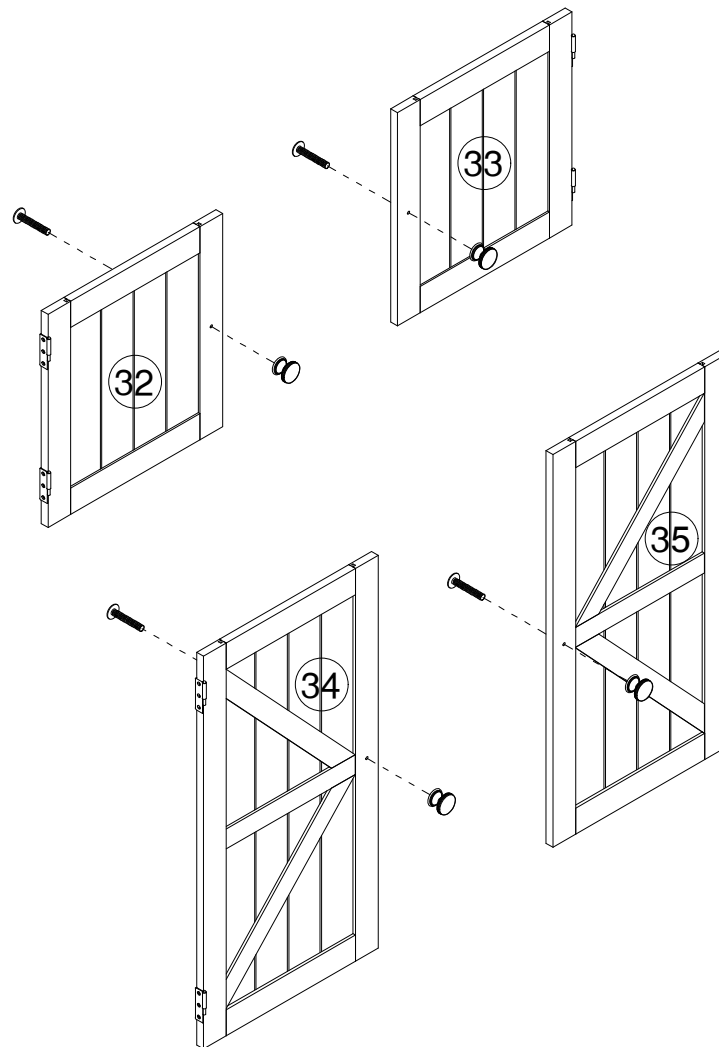


(B)  [x4]

(K)  [x8]

(J)  [x2]

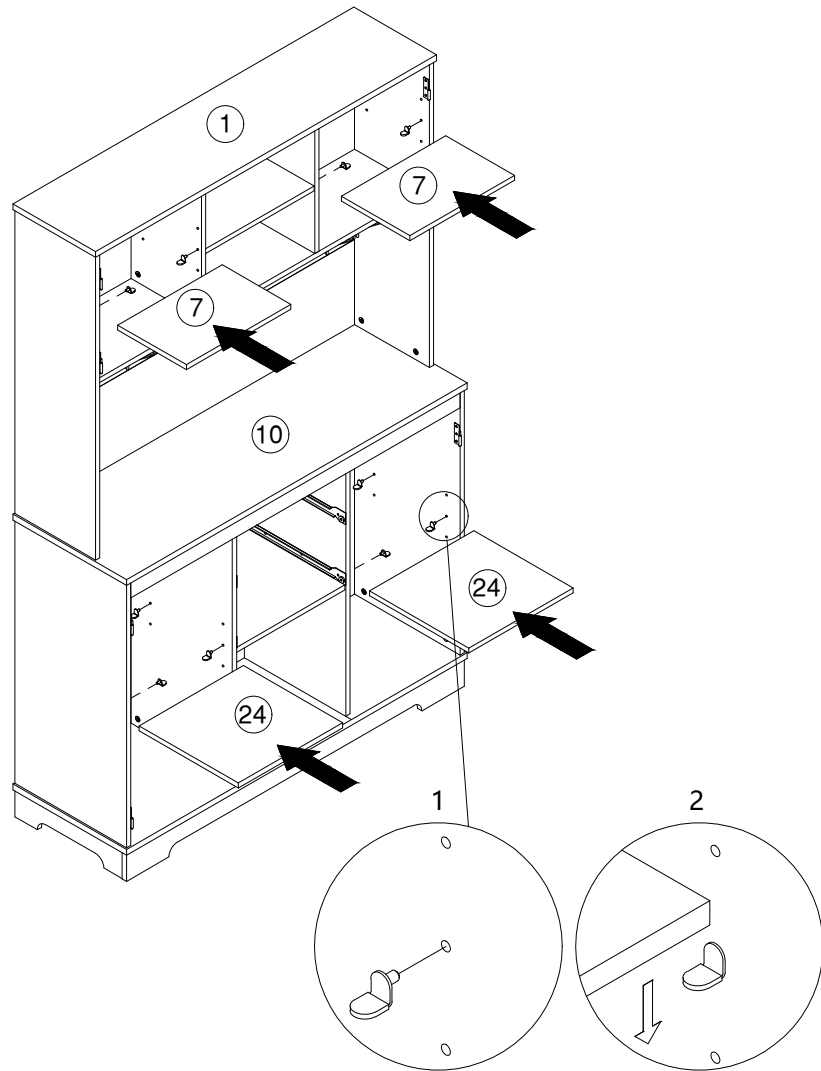
21



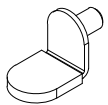
(G)  [x4]

(H)  [x4]

20

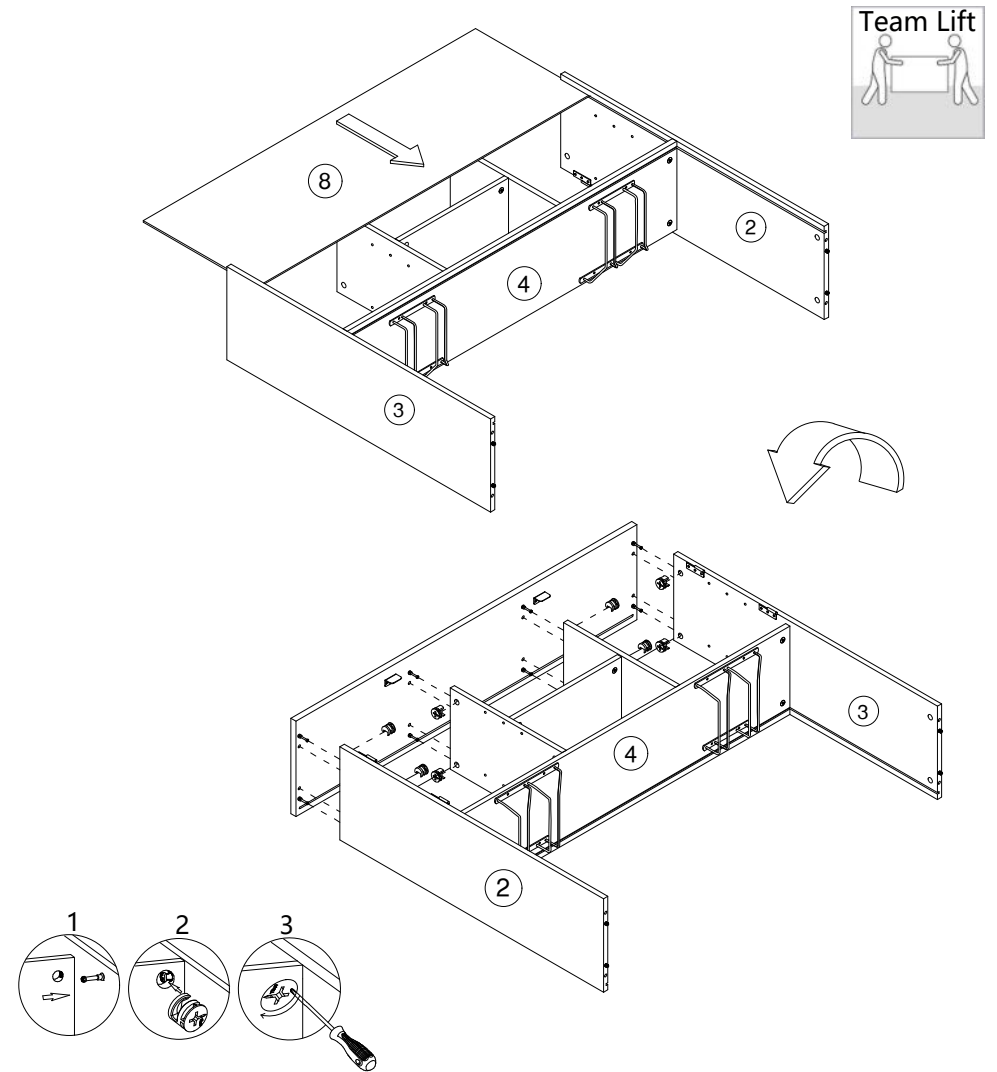


(M)



[x16]

5

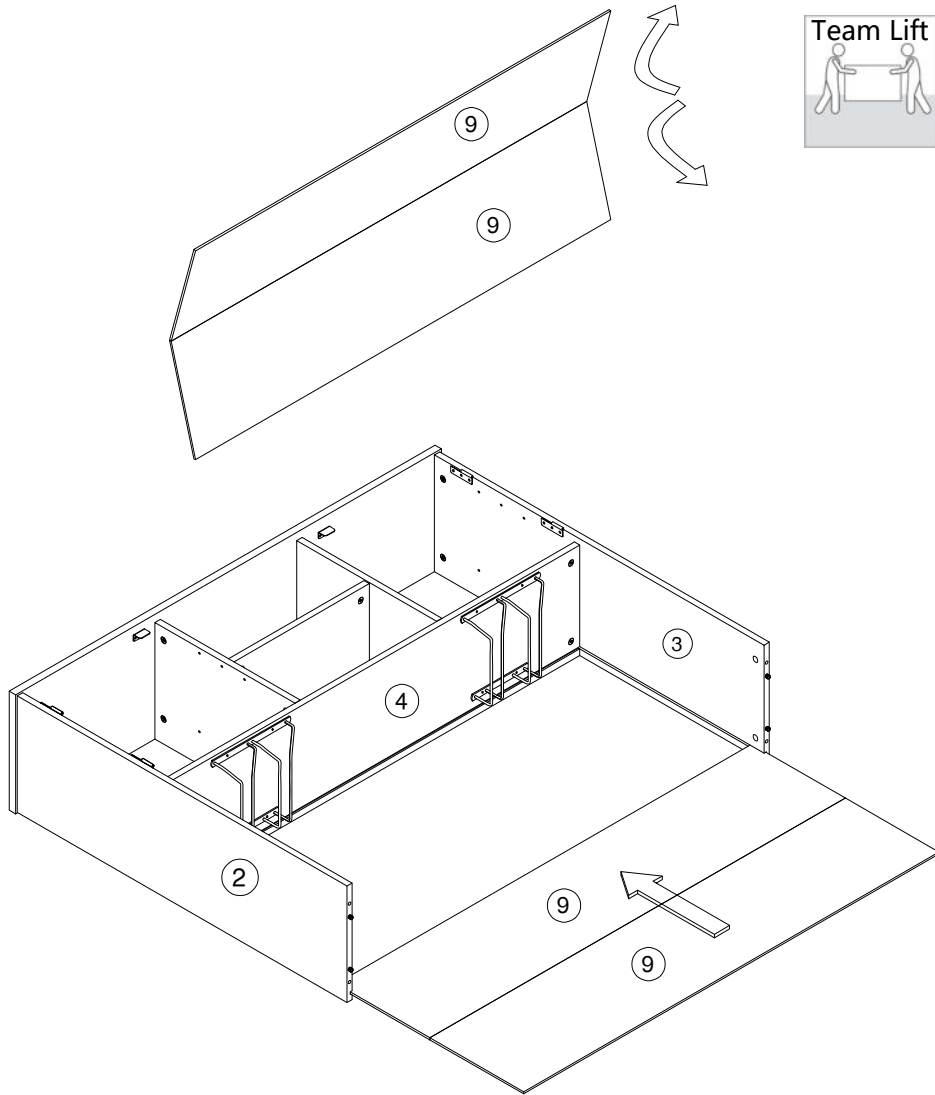


(B)

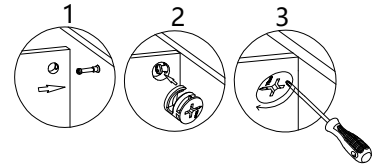
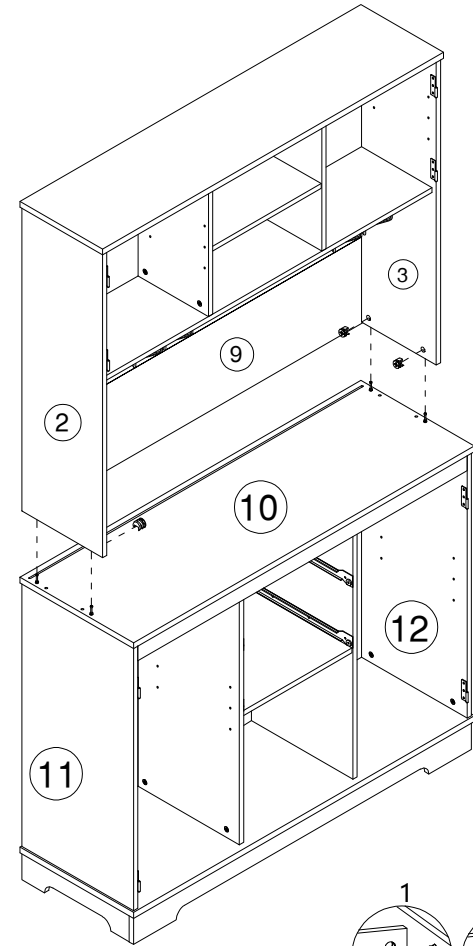


[x8]

6



19

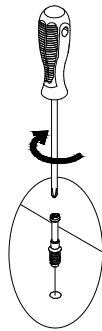
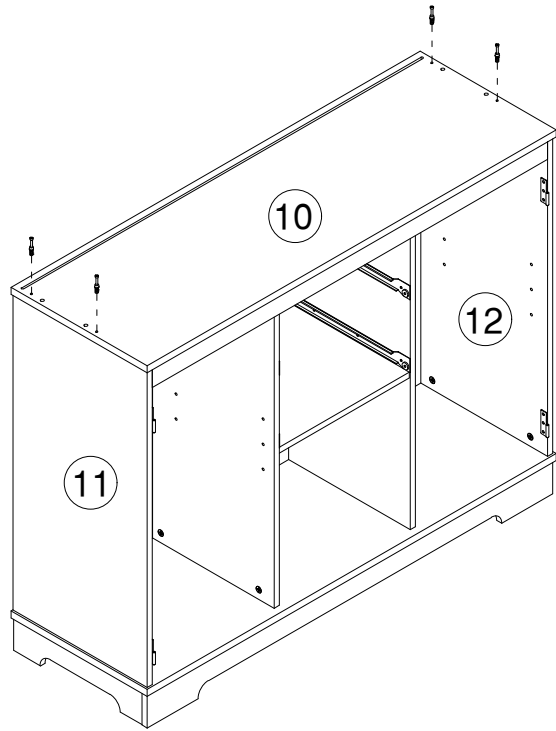


B

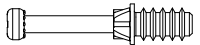


[x4]

18

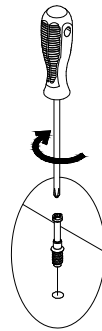
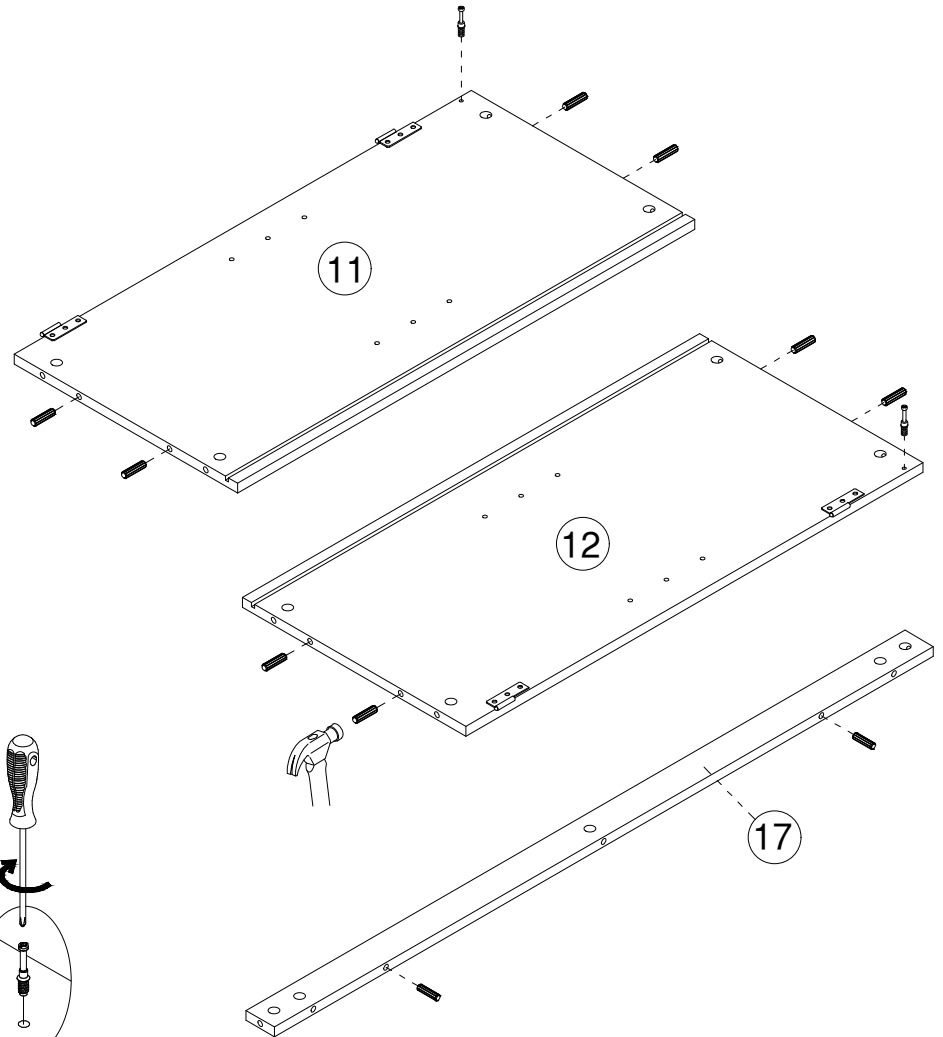


A

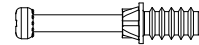


[x4]

7



A



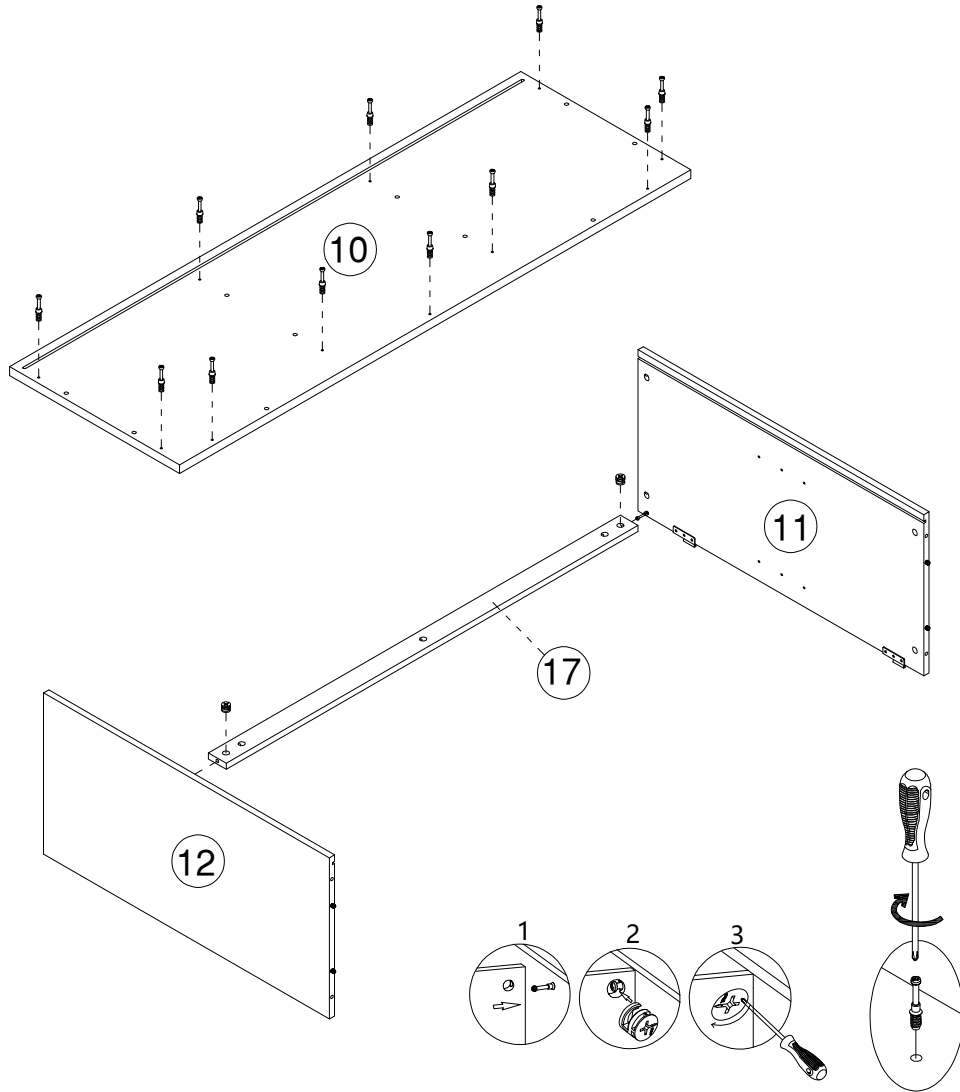
[x2]

C

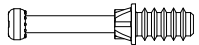


[x10]

8



A



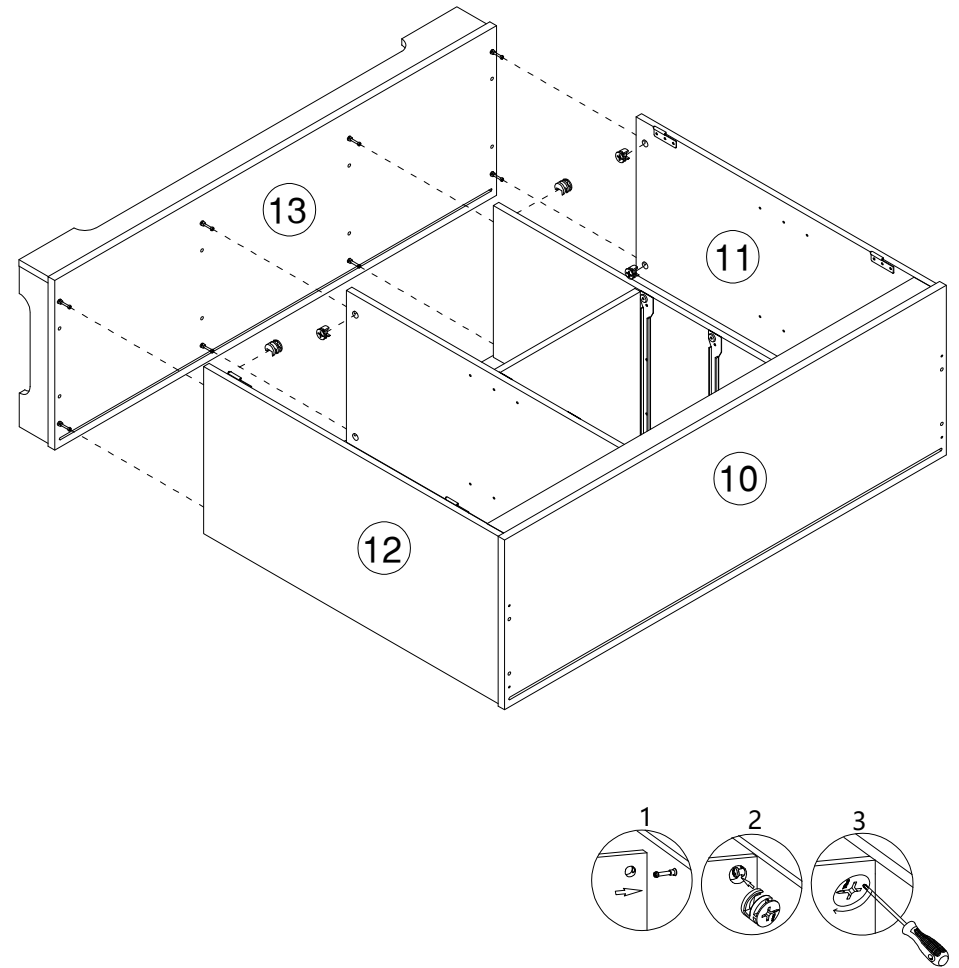
[x11]

B



[x2]

17

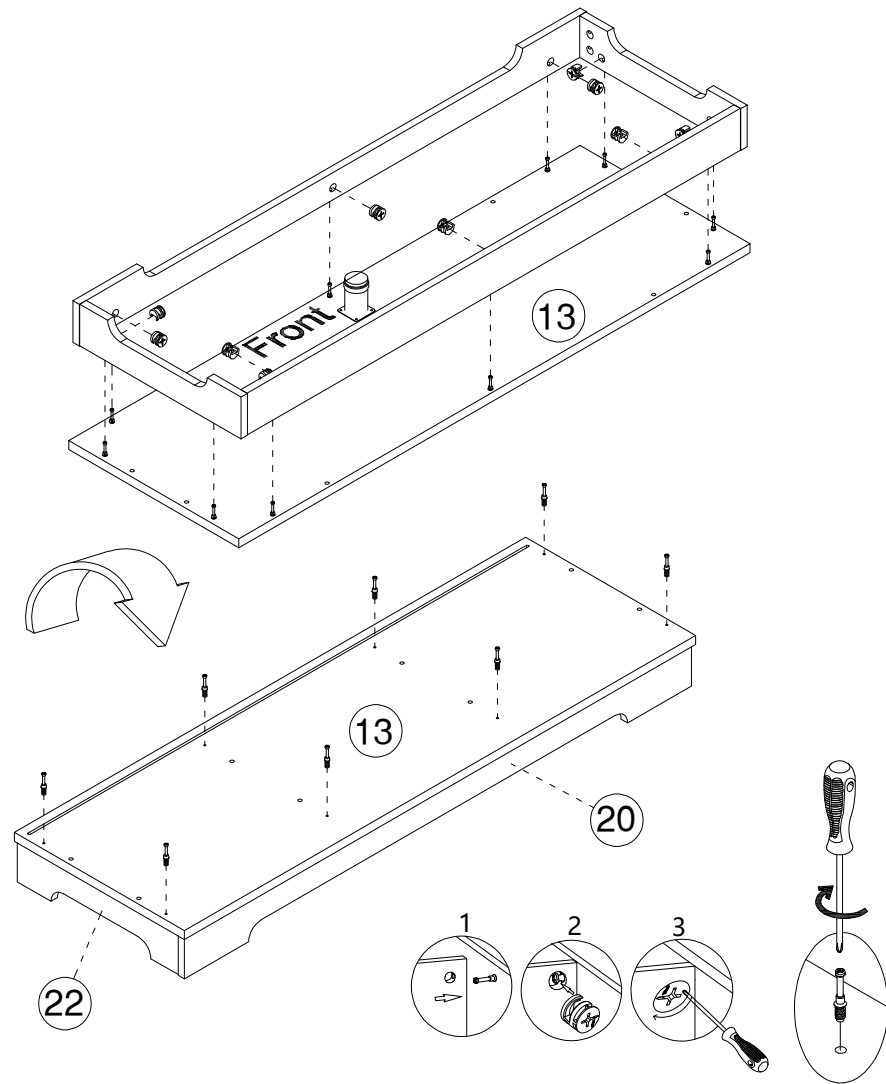


B

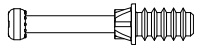


[x8]

16



A



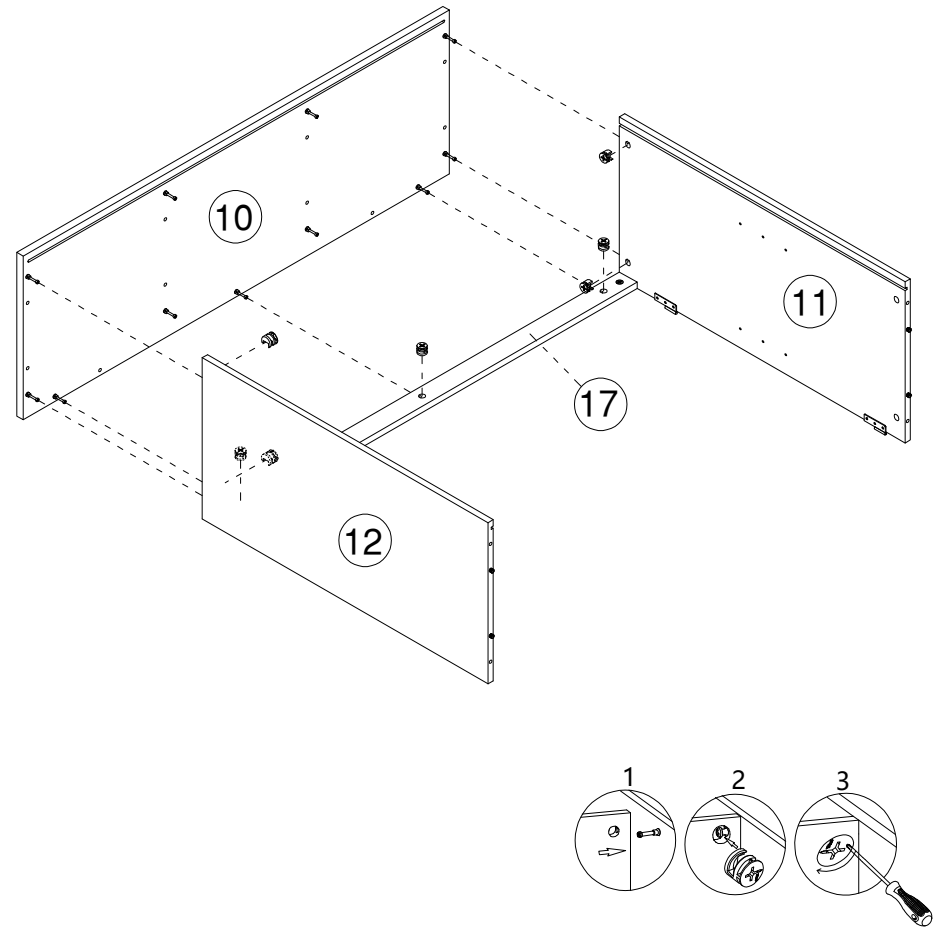
[x8]

B



[x10]

9

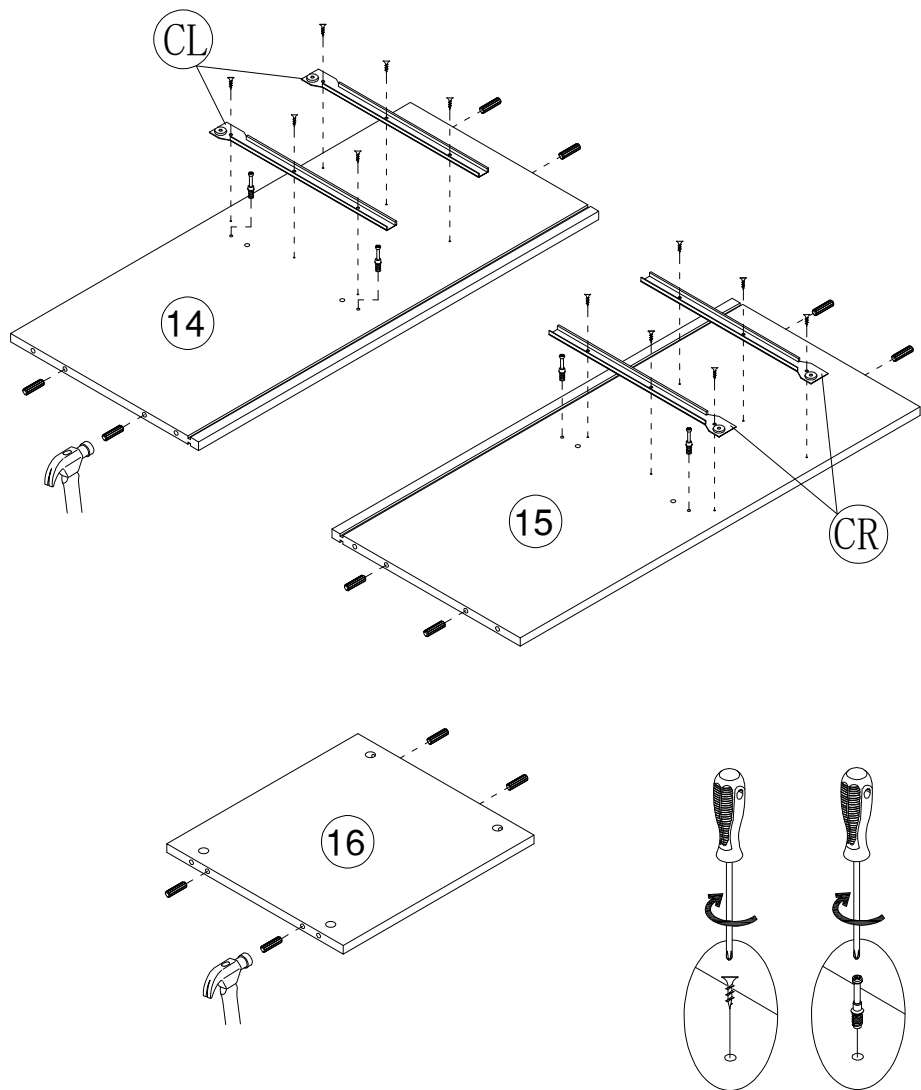


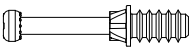
B



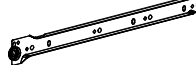
[x7]

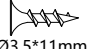
10



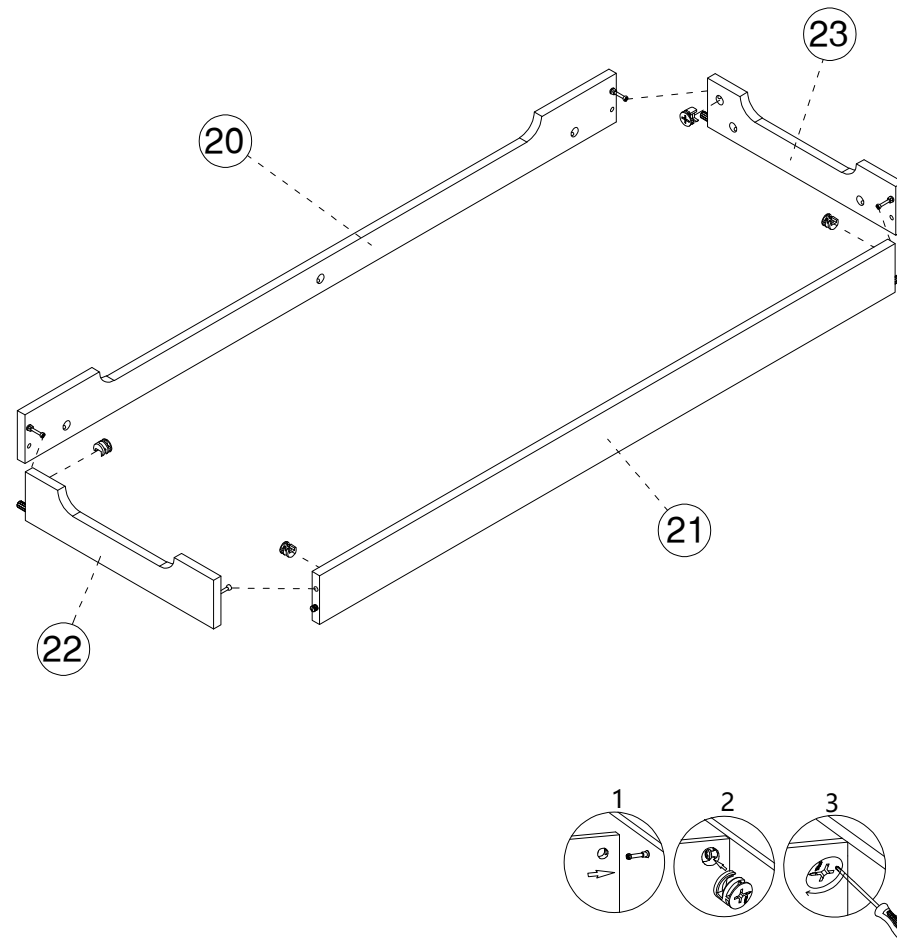
(A)  [x4]

(C)  [x12]

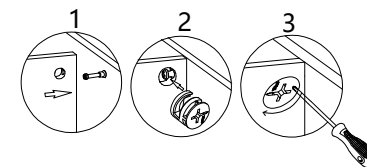
(N)  [x4]

(U)  Ø3.5\*11mm [x12]

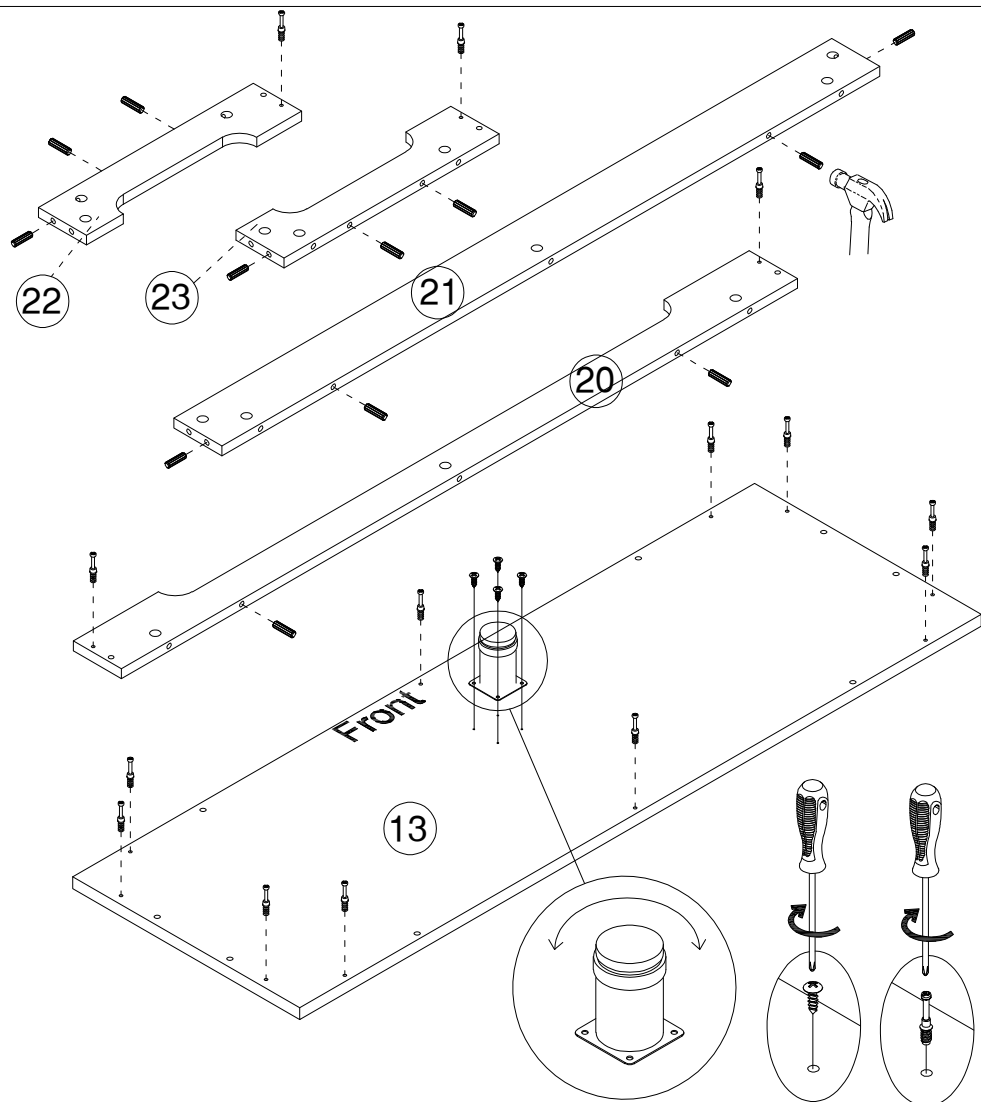
15

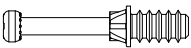


(B)  [x4]

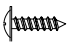


14



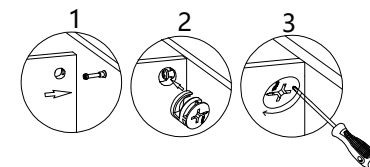
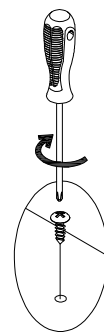
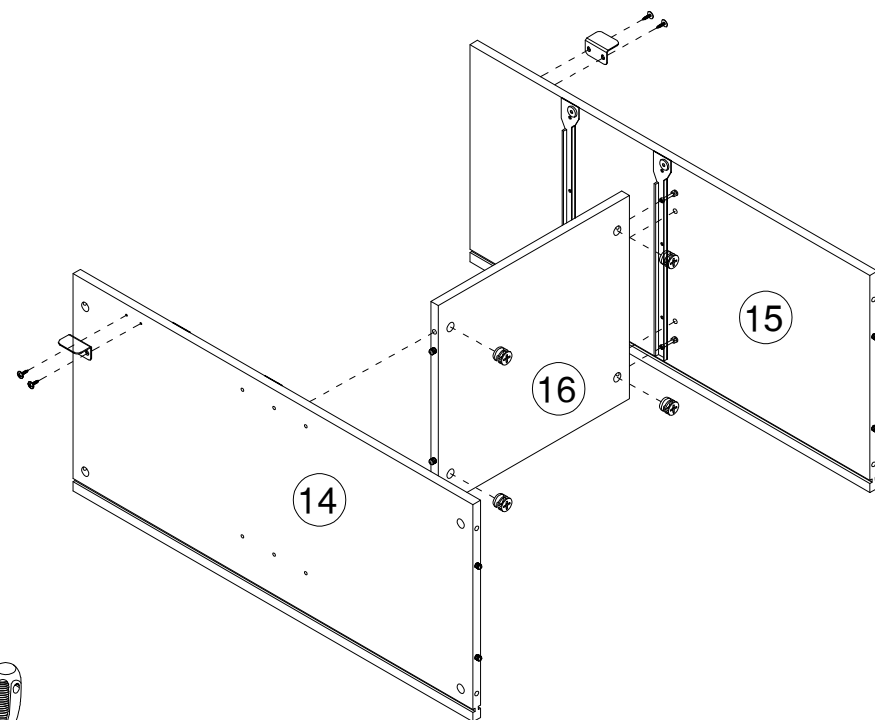
A  [x14]

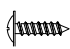
C  [x12]

Q  [x4]

T  [x1]

11

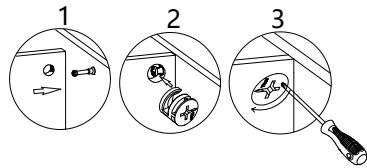
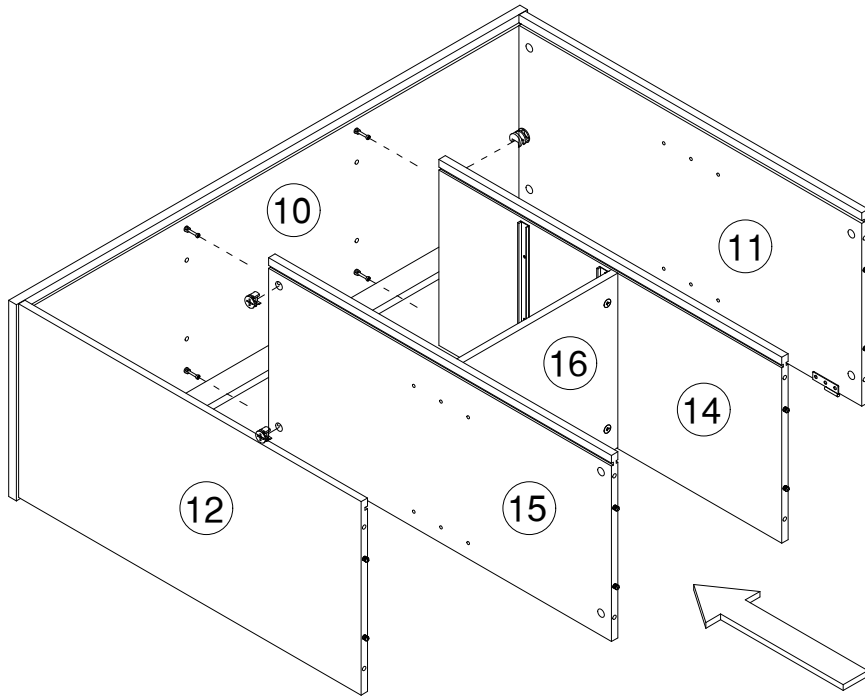


Q  [x4]

R  [x2]

B  [x4]

12



B



[x4]

13

