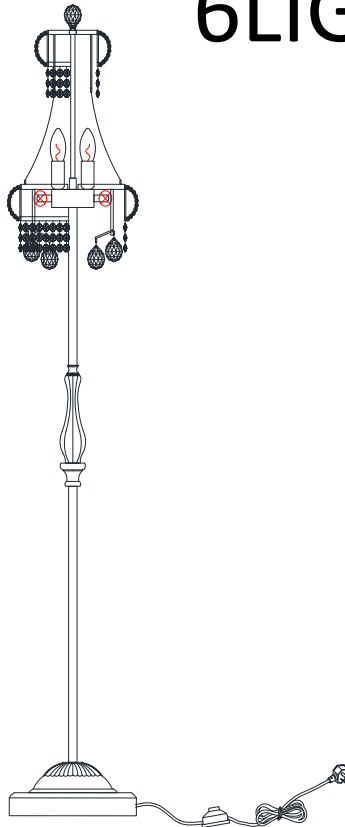


1006-FLOOR LAMP

12"X62"

6LIGHTS



Thanks for purchasing a B&S Lighting Inc product. Our staff is committed in providing you with the best lighting designs, quality, and service. Please enclosed find a detailed instruction for the your light. If you may have any further questions, feel free to contact our head quarter directly at the following. Please include the item number and size for the purchased product in the subject and your concern in the body and we will get back to you as soon as we can. If your concern is urgent, please contact the store you purchased this product.

chandelierstoday@gmail.com



CATIONS

1. Make sure to avoid damaging and exposing any wiring of this light while running the main wire through the threaded rod.
2. While completing the connection of the light, make sure to use the enclosed wire nuts to cover the wires and use electrical tape (not provided) to further cover the wiring.
3. Installation is recommended to be performed by a certified electrician only according to your national and local codes. B&S Lighting Inc. is not responsible for any caused damages.
4. Make sure to connect one wire of the light to neutral, another to live, and the copper wire to ground. Always do ground the light.
5. The frame of this light is scratch able; use the enclosed gloves during installation.
6. Do not use corrosive chemicals to clean this product. Contact your store for proper cleaning tips
7. The power to the light must be turned off during installation and while cleaning or changing bulbs.
8. Do not cover the light with anything while the power is connected to avoid fire.
9. Extra care should be taken with glass parts of the lighting to avoid breakage.
10. All our lighting is made for 110V-120V, 60 Hz. 40 watt maximum bulb holders.
11. All our led and RGB products are non-dimmable and should not be connected to a dimmer.
12. RGB and LED products are not covered under any warranty but we are dedicated to replace any parts within 2 years of purchase.

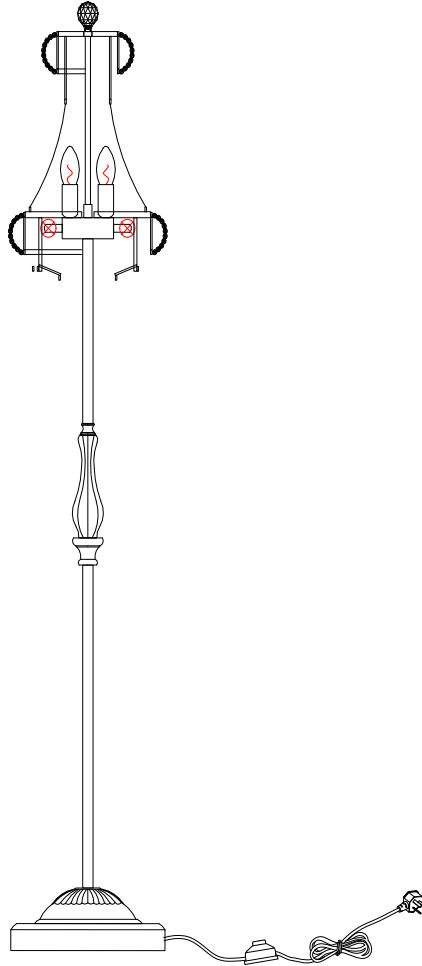
B&S Lighting Inc. reserve the right to make changes to its products without any notice

Safety Instructions

Your safety is our priority. Please follow these safety instructions promptly.

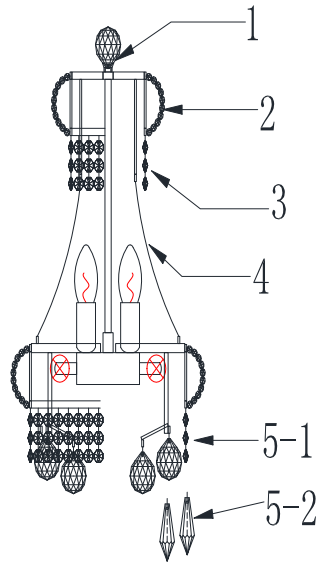
1. Only certified electricians should install this light.
2. Do not over load the bulb holders with more than 40 Watt bulbs.
3. Make sure all connecting parts are screwed properly and all screws are tightened before installation and crystallation
4. Do not install this light on wet ceilings.
5. If the light is to be sprayed for cleaning, make sure to turn off the power.
6. Do not turn on the light when the light is wet.
7. Only use spare parts for the light that came with it.
8. Make sure your ceiling can take the weight of the light.
9. Make sure the light is securely installed on the ceiling
10. Make sure your circuit is strong enough and can supply the wattage that the light pulls.
11. Please use all dimmable components and make sure before connecting this light to a dimmer.
12. Avoid the light from being reachable by children when installed.
13. Do not connect anything else to this light.
14. In order to prevent damages, please check surfaces for wires before drilling holes.
15. System should not be enlarged with additional lamps.
16. Ensure that all electrical connections are screwed tightly as good contact is essential for a long life span at high currents.
17. The bulbs get hot when turned on. Allow them to cool down before touching
18. Do not place objects on the system (e.g. For decorative purposes), if they were not delivered with the system
19. Tighten all the hooks of the crystals on the light frame in order to avoid any crystals from falling.

Parts List



FRAME*1PCS

Crystal Parts List



<u>1</u>	<u>40# CRYSTAL BALL</u>	<u>1PCS</u>
<u>2</u>	<u>10# BREAD*10PCS</u>	<u>114STRIPS</u>
<u>3</u>	<u>14#OCTAGON CRYSTAL*3PCS</u>	<u>72STRIPS</u>
<u>4</u>	<u>octagon crystal 16#*2+18#*1+20#*1+22#*1+24#*1+26#*1</u>	<u>18strips</u>
<u>5-1</u>	<u>50mm sharp crystal</u>	<u>38pcs</u>
<u>5-2</u>	<u>40#crystal ball</u>	<u>22pcs</u>