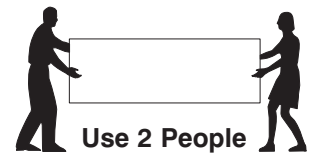
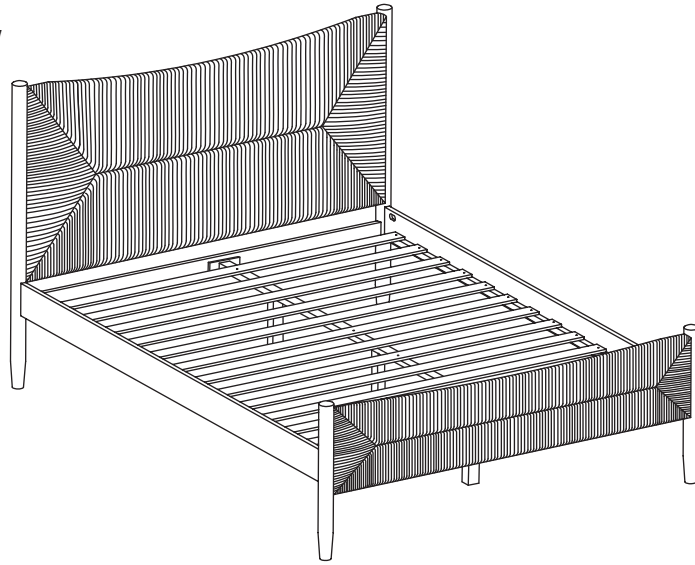


0243 Queen Bed

Assembly Instructions

WI-0724

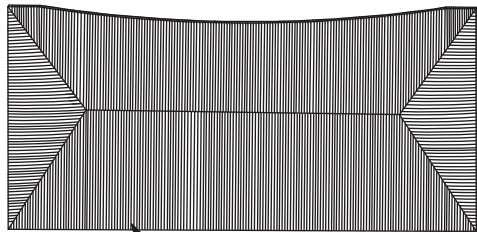
1 Assembled View



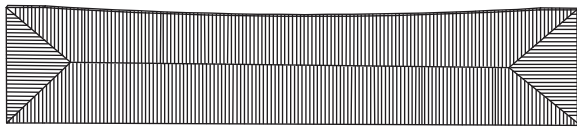
Note: Do not assemble using power tools. This can cause the bolts to be overtightened

2 Parts List

Parts in Box A:



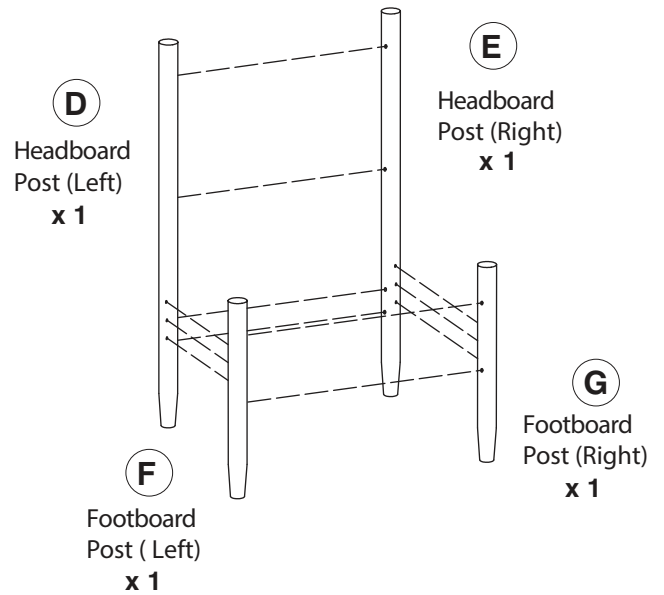
A Headboard Panel



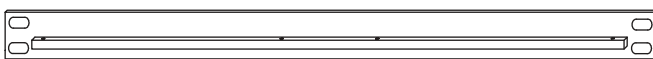
B Footboard Panel
x 1



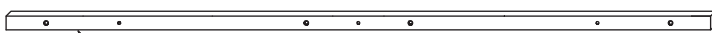
C Headboard Support x 1



Parts in Box B:



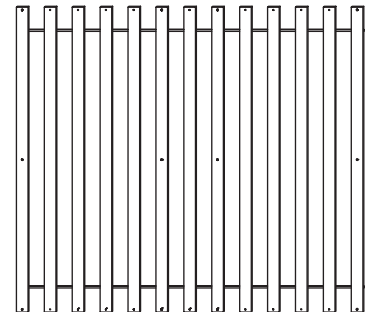
H Side Rail x 2



J Long Support x 1



K Support Leg
x 3



L Set of Bed Slats
x 1

0243 Queen Bed

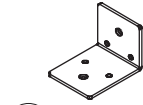
Assembly Instructions

WI-0724

3 Hardware List



1 M4 Allen Key
x 1



2 Center Rail
Bracket x 2



3 Adjustable
Foot x 3



4 Wood Screw
(M4 x 32mm) x 18



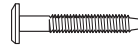
5 Wood Dowel
(10 x 40mm) x 4



6 Barrel Nut
x 3



7 M6 x 15mm
JCB x 4

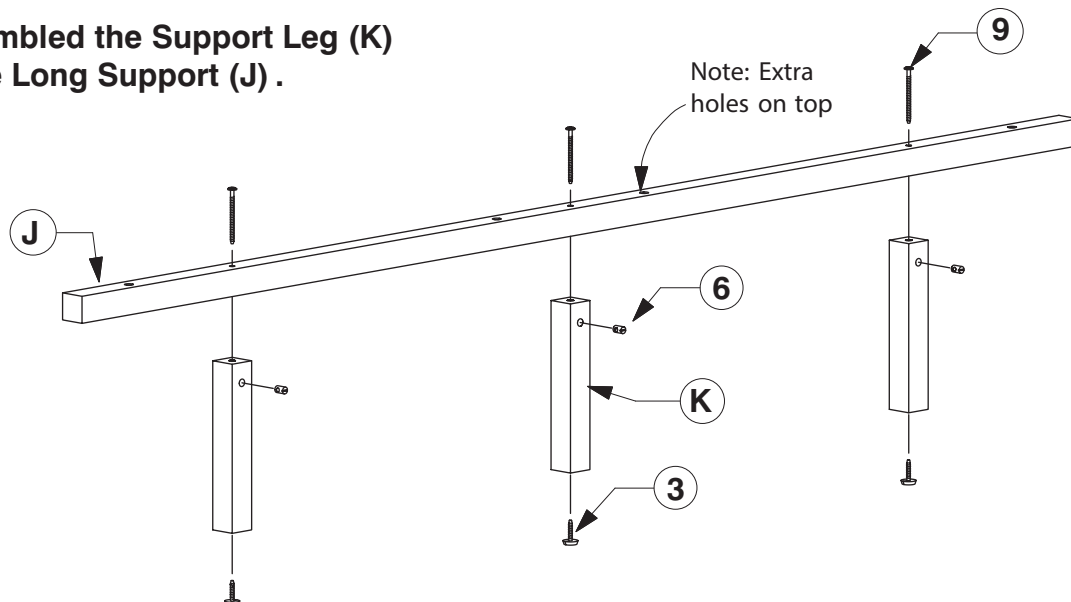


8 M6 x 40mm
JCB x 32

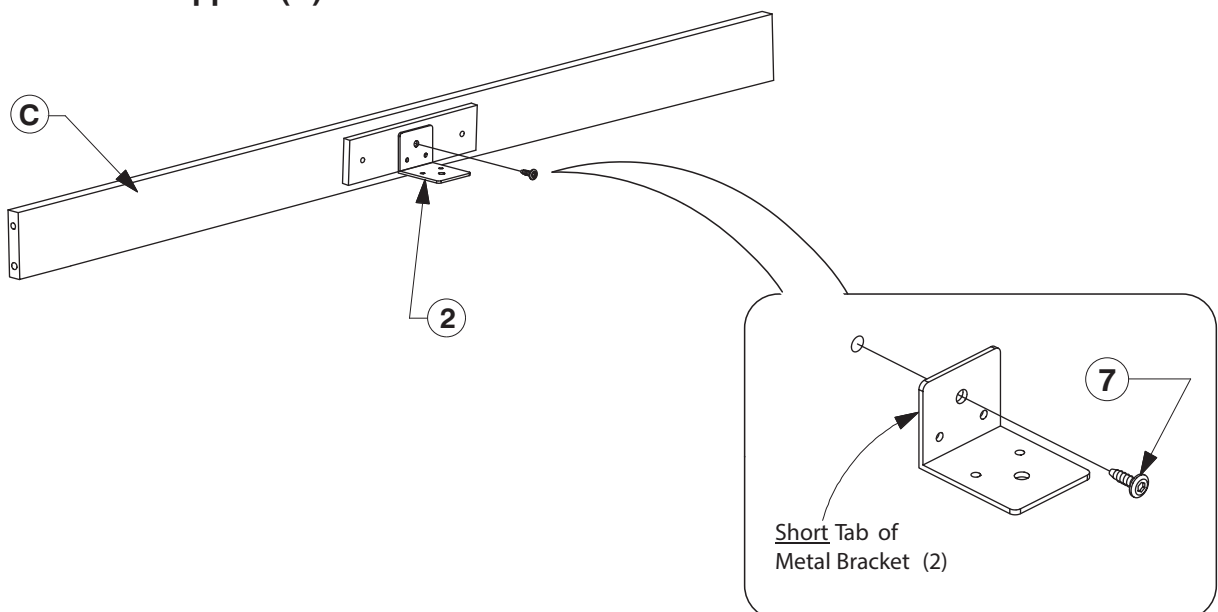


9 M6 x 90mm JCB
x 3

4 Assembled the Support Leg (K) to the Long Support (J).



5 Fit the Center Rail Bracket (2) to the Headboard Support (C).

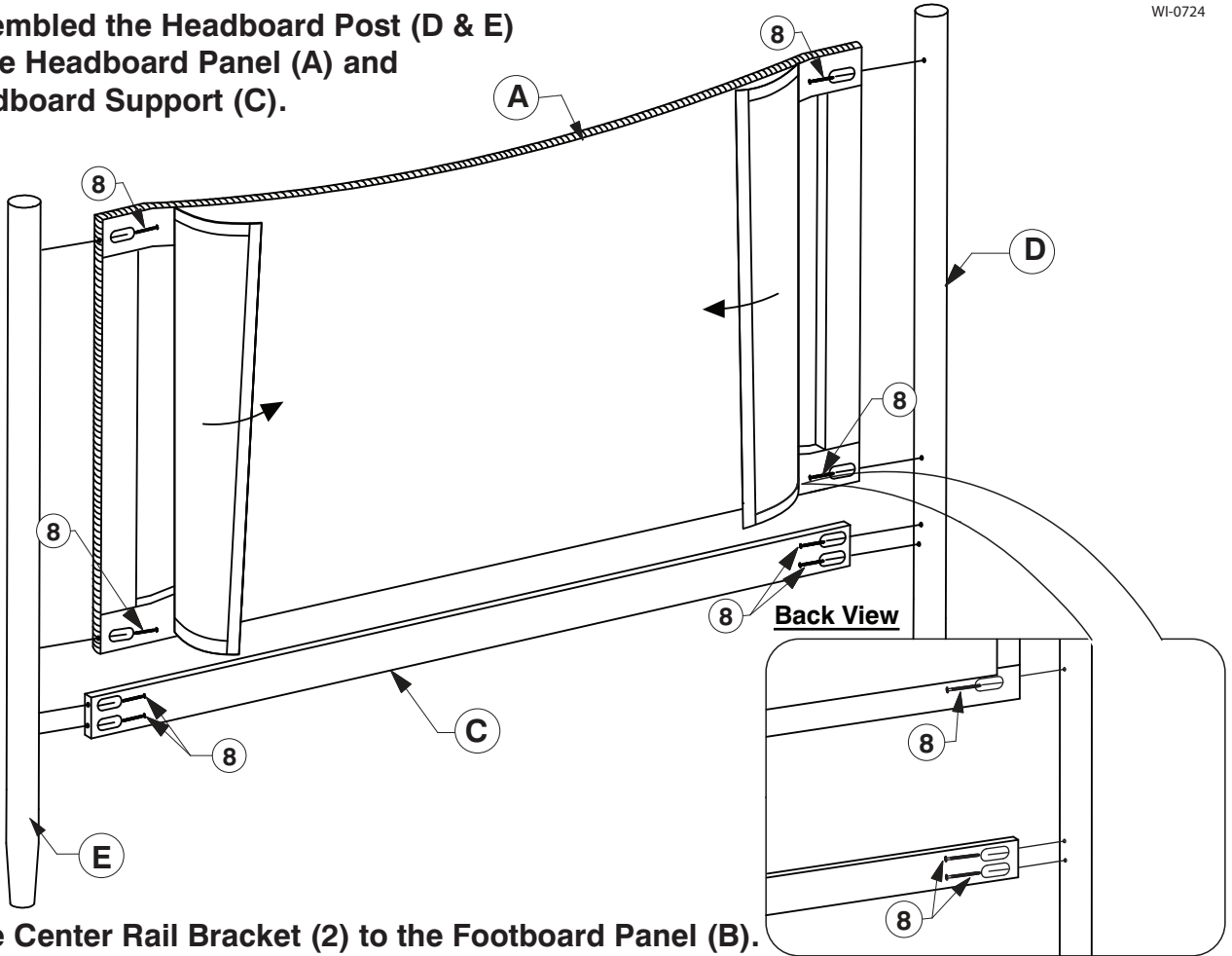


0243 Queen Bed

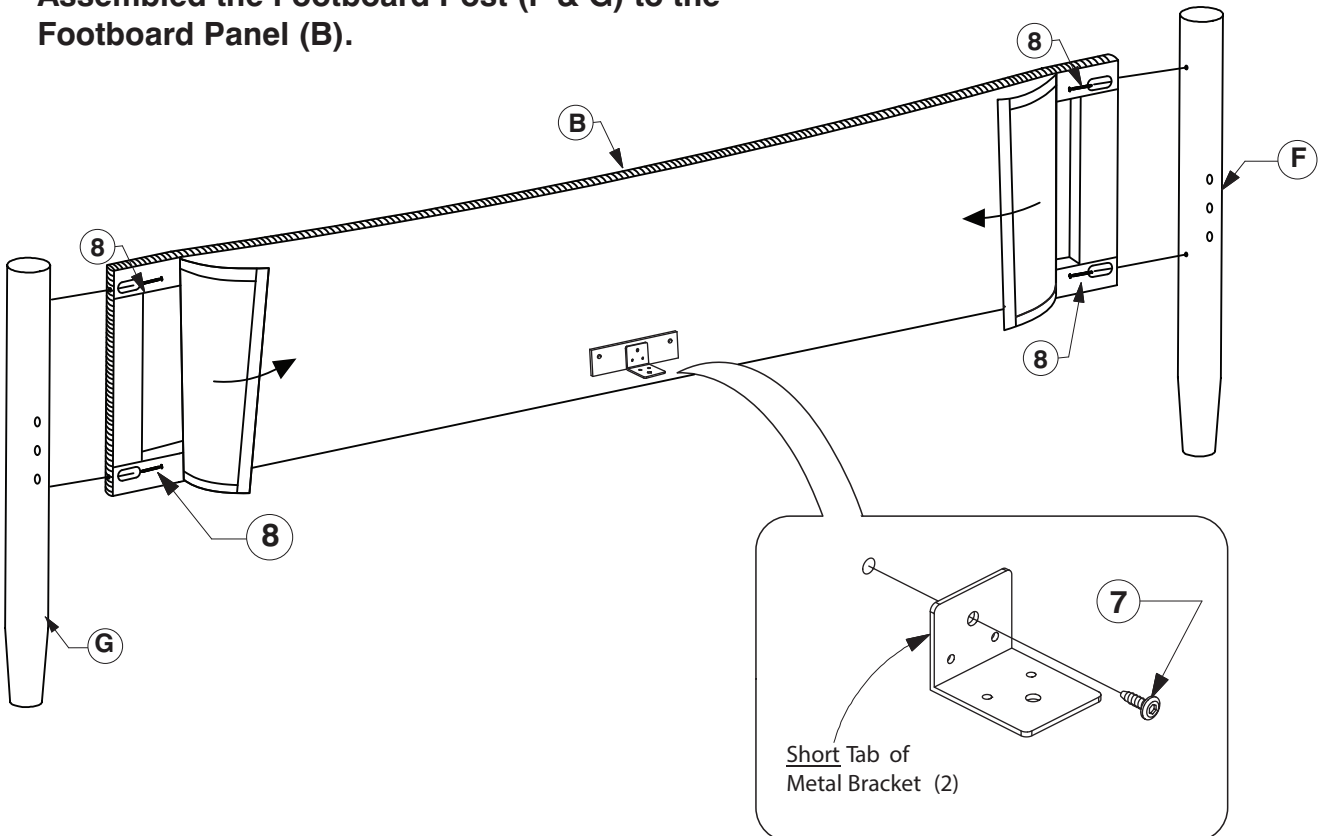
Assembly Instructions

WI-0724

- 6** Assembled the Headboard Post (D & E) to the Headboard Panel (A) and Headboard Support (C).



- 7** Fit the Center Rail Bracket (2) to the Footboard Panel (B). Assembled the Footboard Post (F & G) to the Footboard Panel (B).

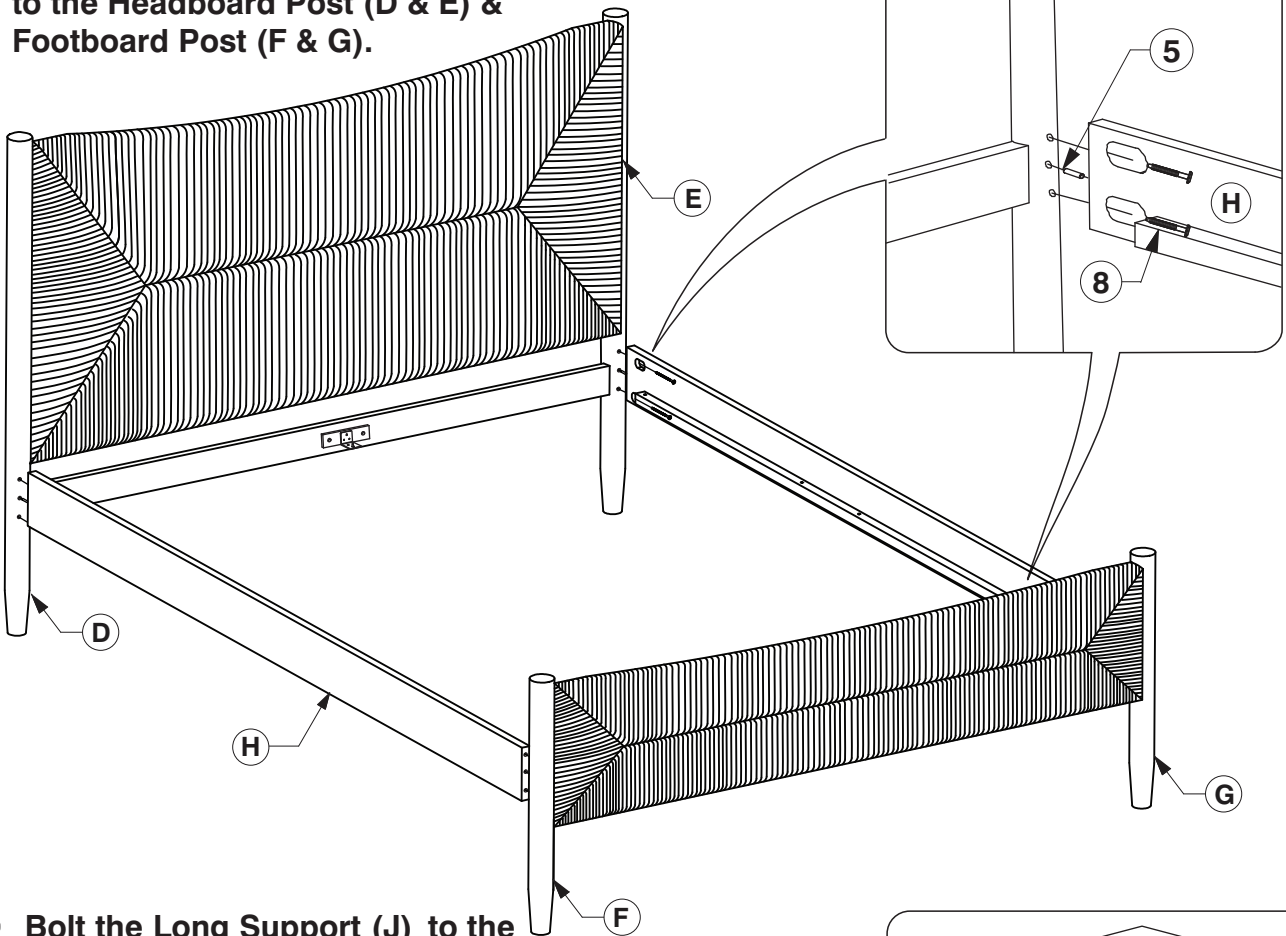


0243 Queen Bed

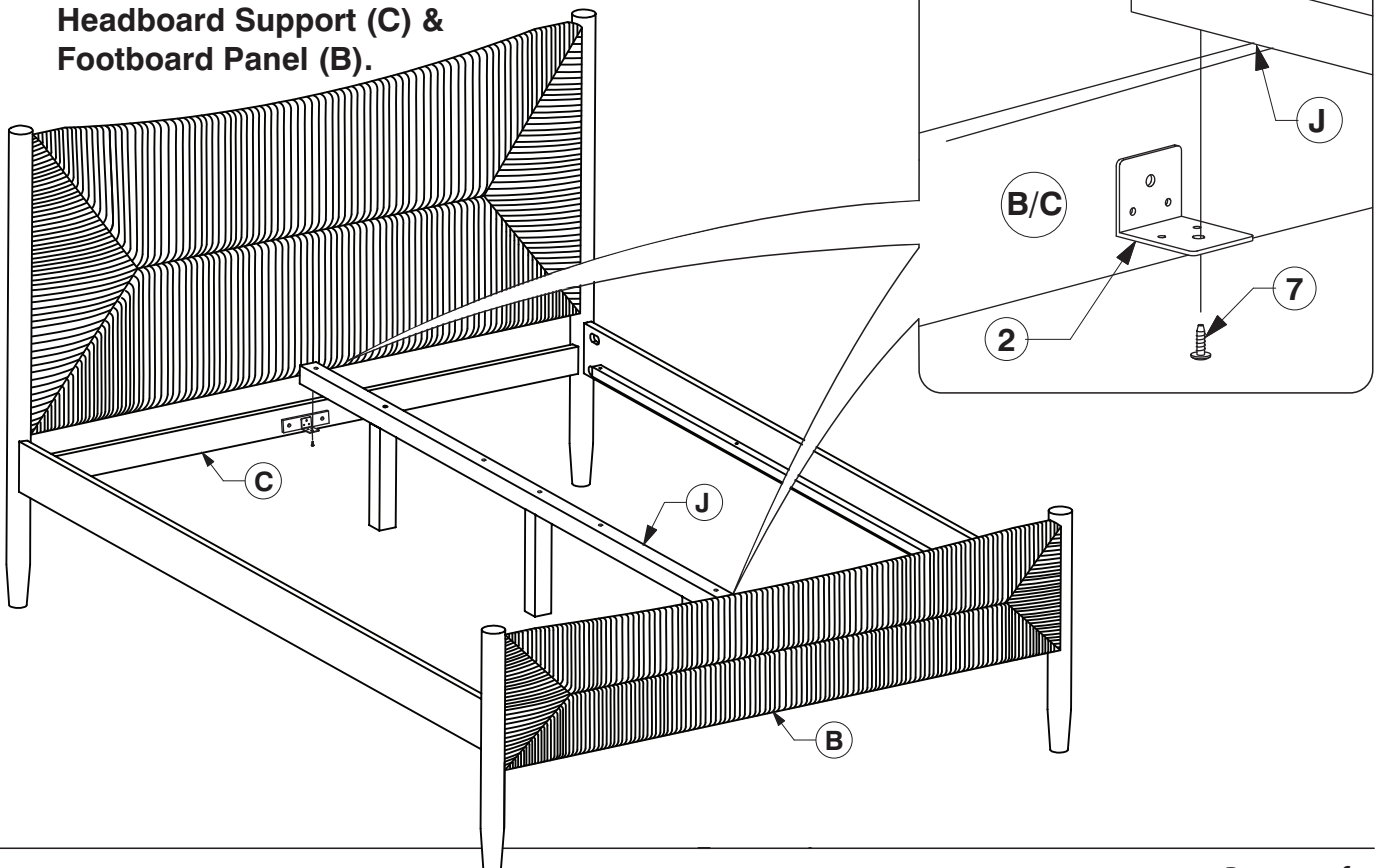
Assembly Instructions

WI-0724

- 8** Assemble the Side Rail (H) to the Headboard Post (D & E) & Footboard Post (F & G).



- 9** Bolt the Long Support (J) to the Center Rail Brackets (2) on the Headboard Support (C) & Footboard Panel (B).

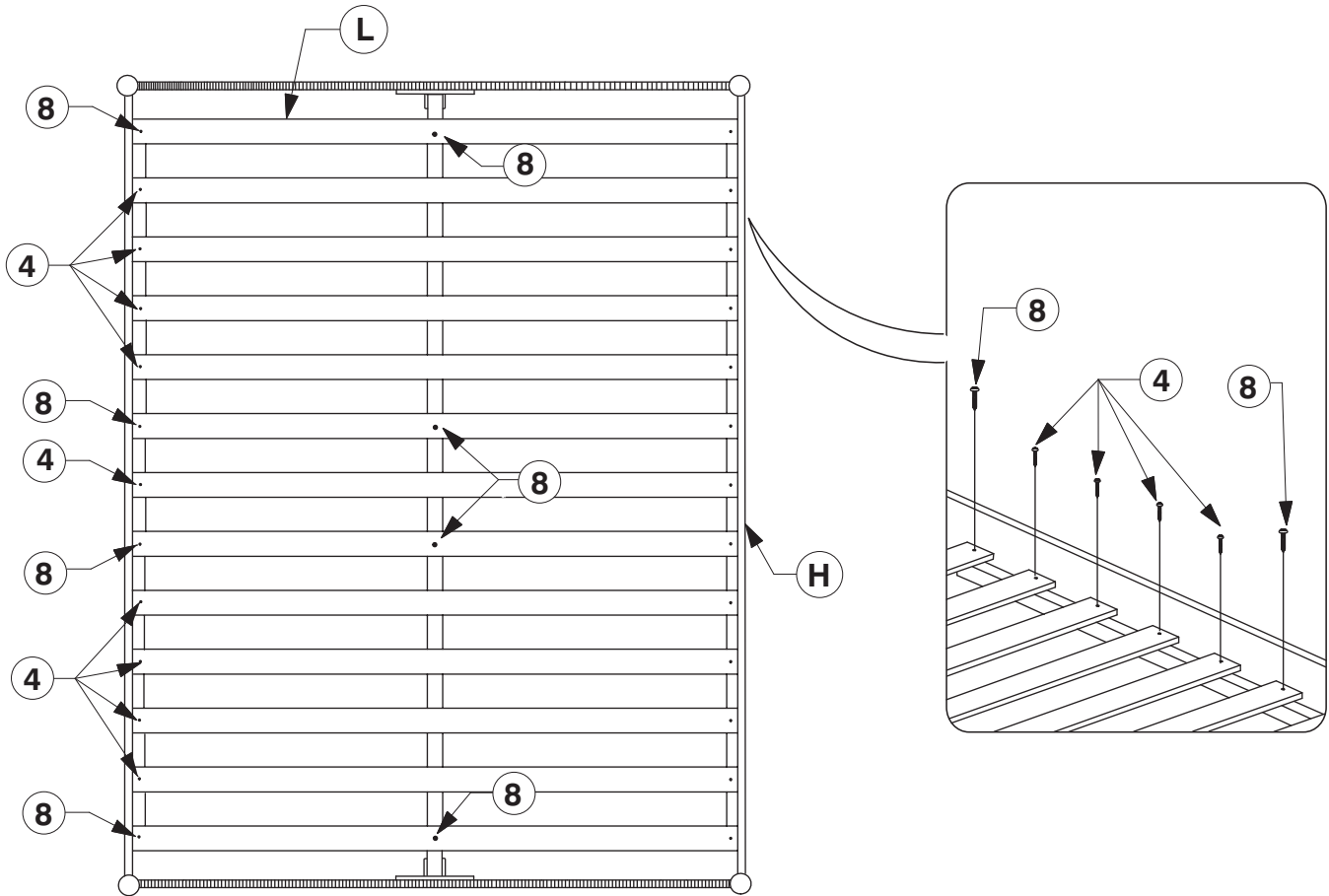


0243 Queen Bed

Assembly Instructions

WI-0724

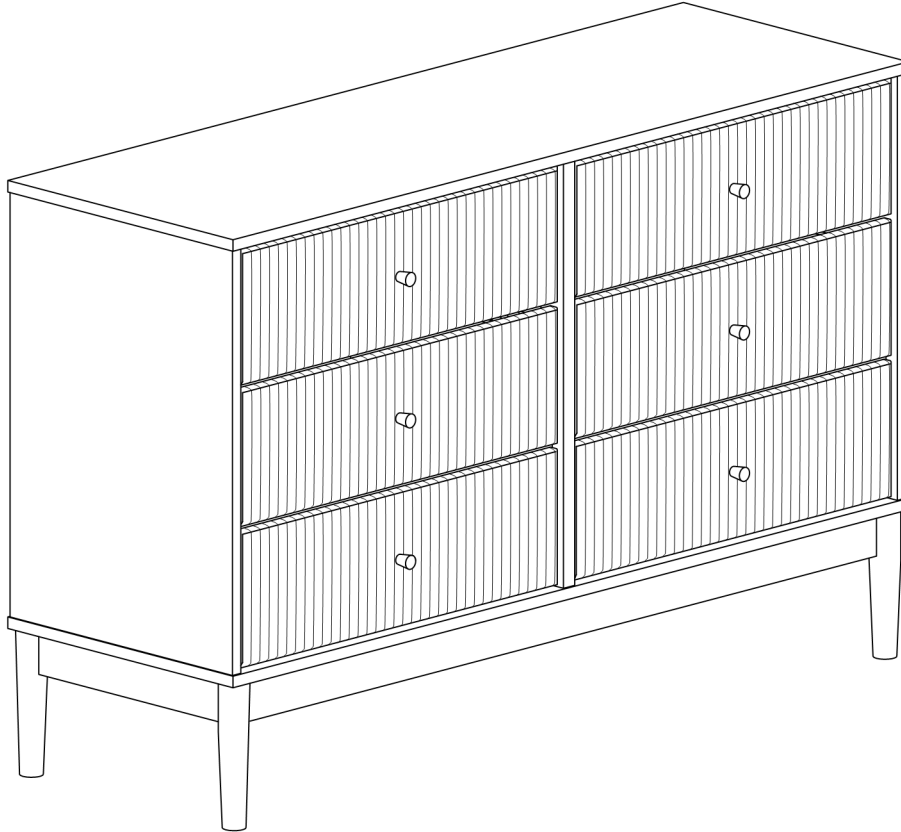
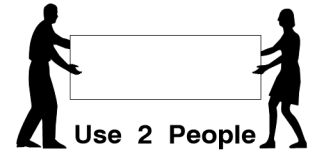
10 Bolt & screw the Bed Slats (L) to the Side Rail (H).



9012 6 Drawer Dresser

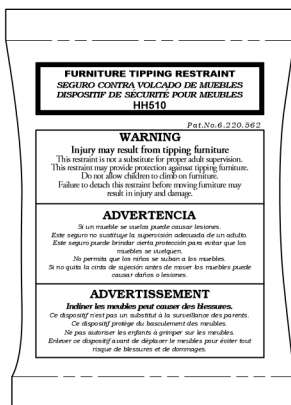
Assembly Instructions

WI-0724



Note: Do not assemble using power tools. This can cause the bolts to be overtightened

WARNING



Anti Tipping Kit
Anti Tipping Kit x 1



Children have died from furniture tipover.

To reduce the risk of furniture tipover:

- ALWAYS install anti-tip device provided.
- NEVER put a TV on this product.
- NEVER allow children to stand, climb, or hang on any drawers, doors or shelves.
- NEVER open more than one drawer at a time.
- DO NOT defeat or remove the drawer interlock system; it is an important stability and safety system.
- Place heaviest items in the lowest drawer.

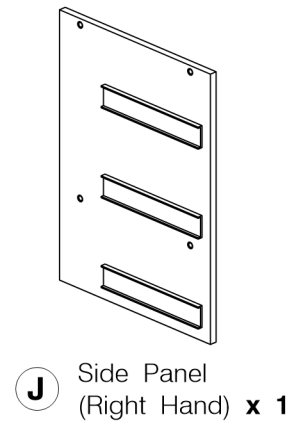
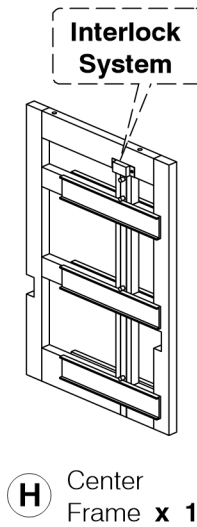
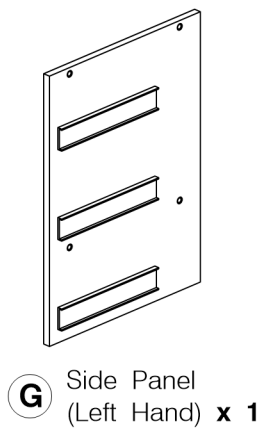
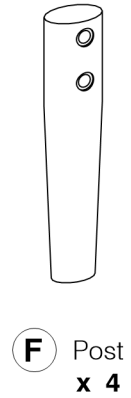
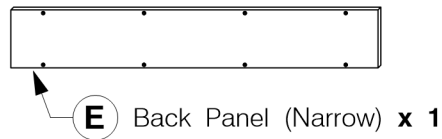
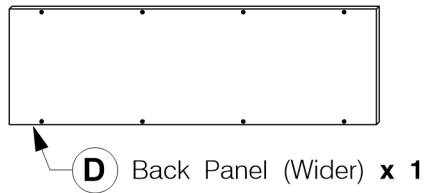
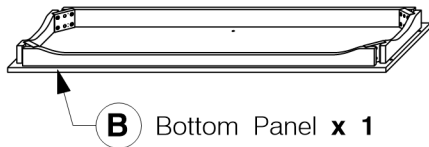
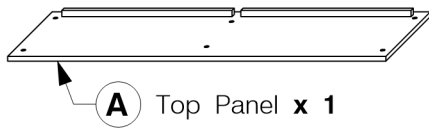
9012 6 Drawer Dresser

Assembly Instructions

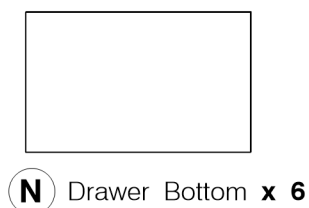
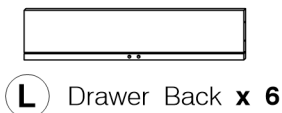
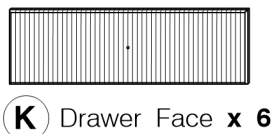
WI-0724

1 Parts List

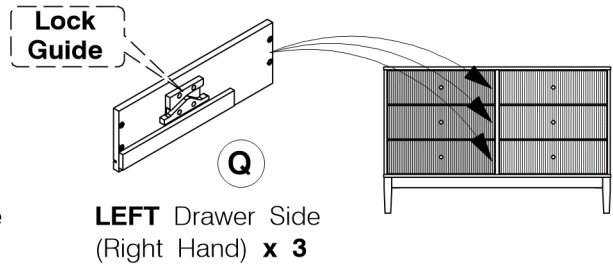
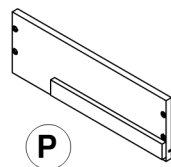
Parts in Box A:



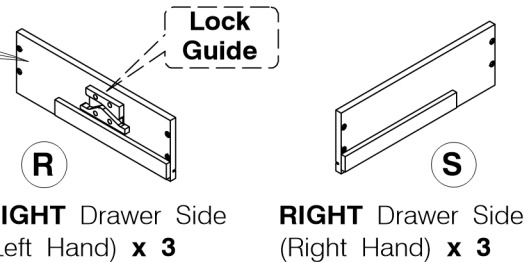
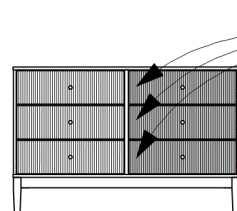
Parts in Box B:



Parts for LEFT Side Drawer



Parts for RIGHT Side Drawer

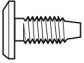

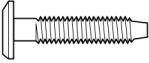
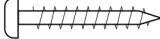
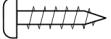


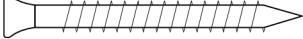








9012 6 Drawer Dresser

Assembly Instructions

WI-0724

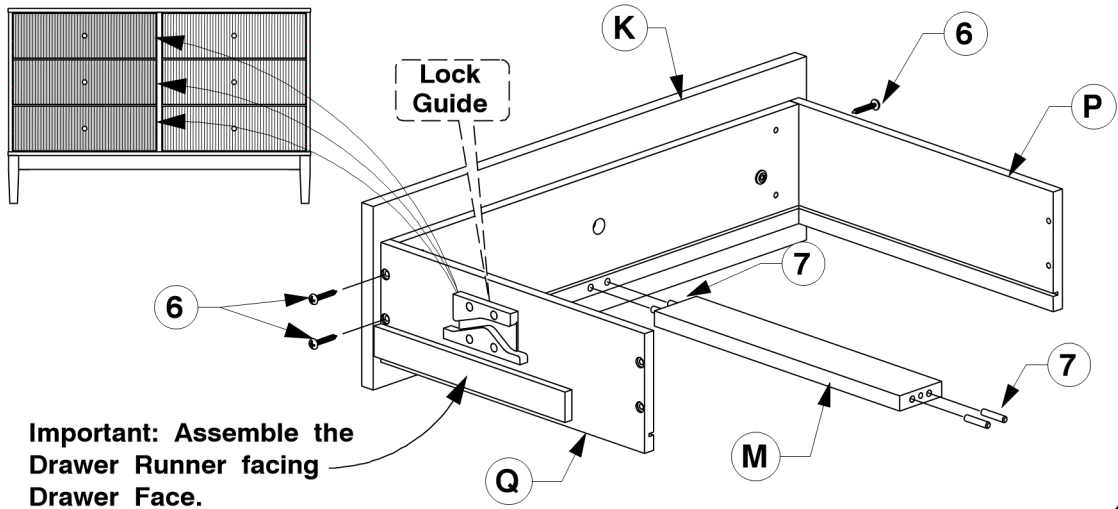
2 Hardware List

- | | | | | |
|---|---|--|---|---|
|  |  |  |  |  |
| 1 M6 x 15mm JCB
x 16 | 2 M6 x 60mm JCB
x 10 | 3 M6 x 30mm JCB
x 2 | 4 Wood Screw (M4 x 32mm)
x 16 | 5 Wood Screw (M4 x 20mm)
x 24 |
|  |  |  |  | |
| 6 Wood Screw (M4 x 25mm)
x 60 | 7 M6 x 25mm Wood Dowel
x 24 | 8 CSK Cap Wood Screw (M6 x 60mm)
x 6 | 9 'L' Bracket (5005-3)
x 8 | |
|  |  |  |  |  |
| 10 Spring Washer x 8 | 11 Flat Washer x 8 | 12 M4 x 22mm Wood Screw x 6 | 13 Handle (1005) x 6 | 14 Allen Key x 1 |

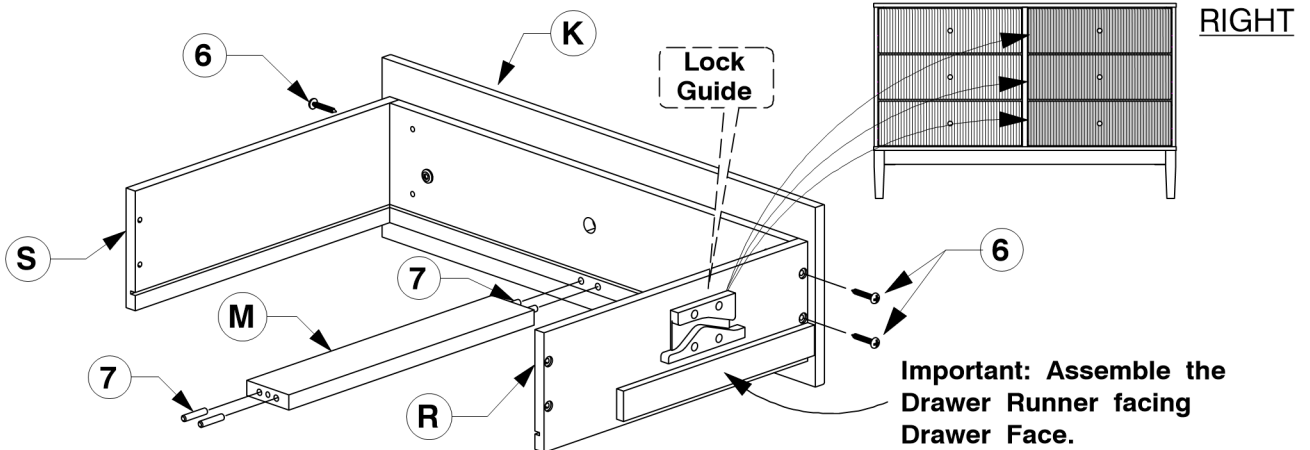
3 Assemble the Drawers.

STEP 3.1

LEFT



X 3



X 3

RIGHT

9012 6 Drawer Dresser

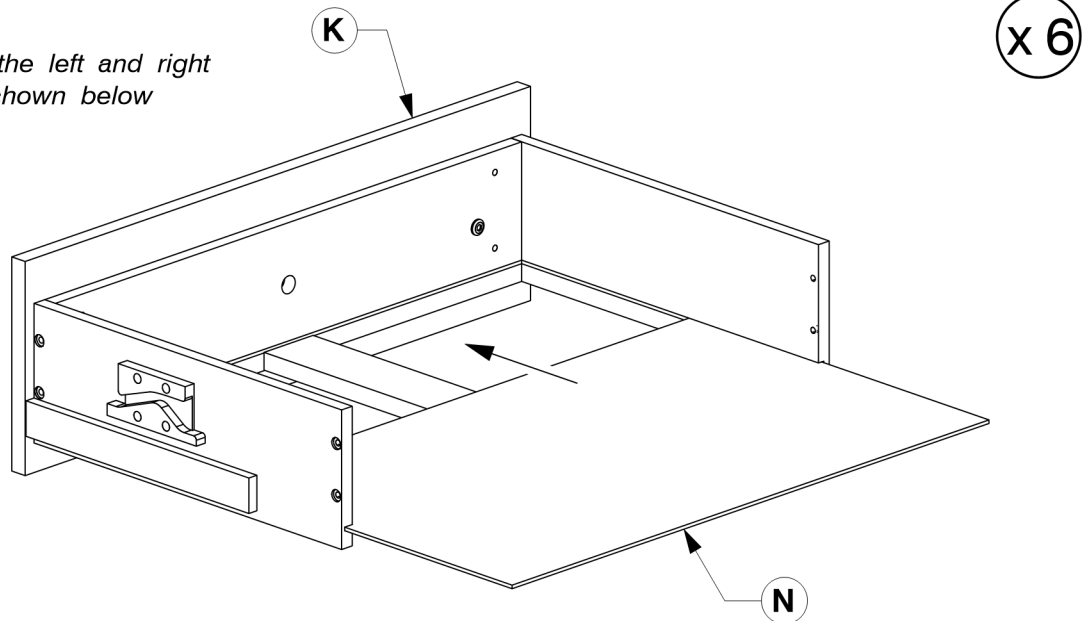
Assembly Instructions

WI-0724

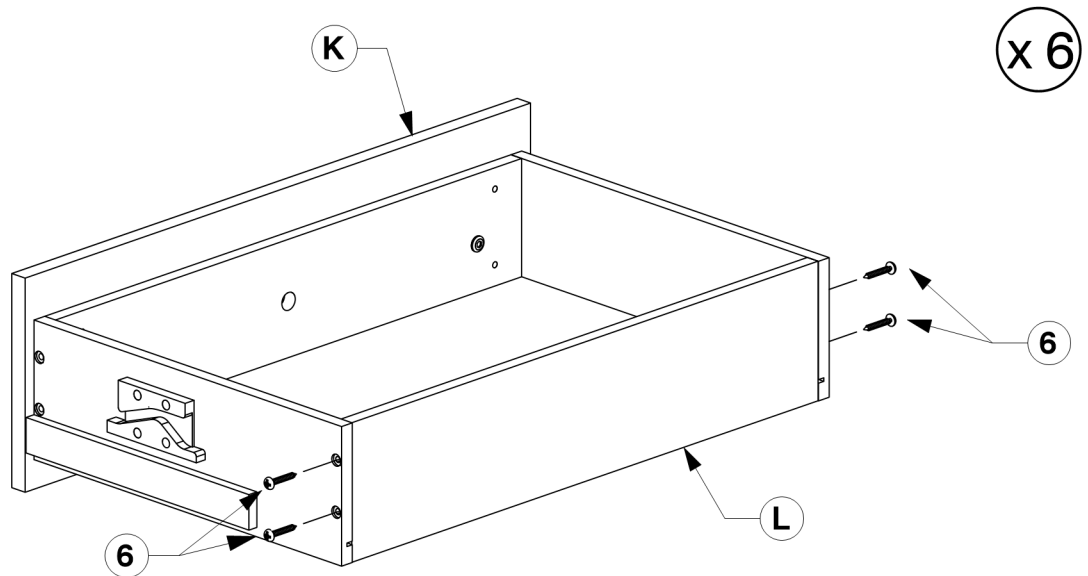
3 Assemble the Drawers.

STEP 3.2

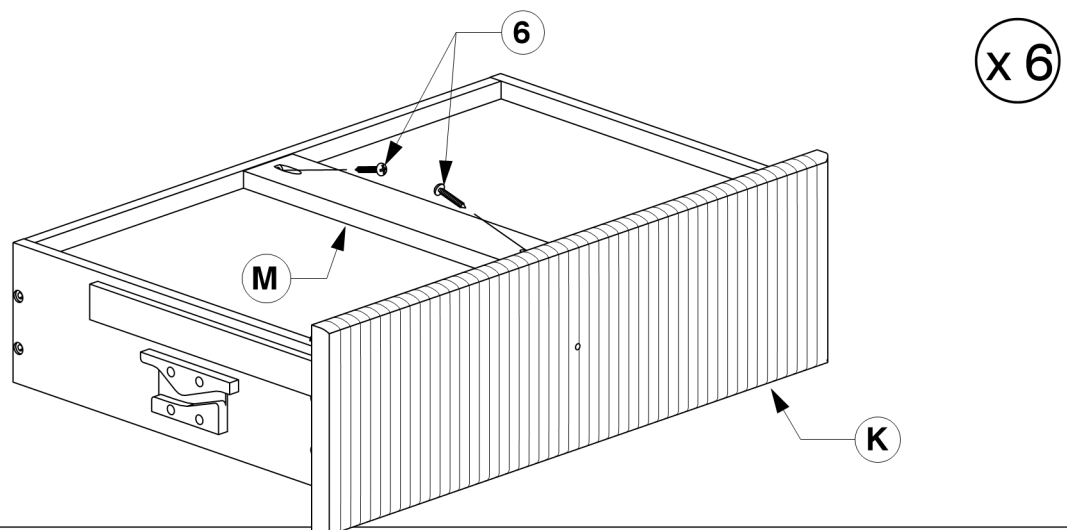
* 3 Assemble the left and right drawers as shown below



STEP 3.3



STEP 3.4

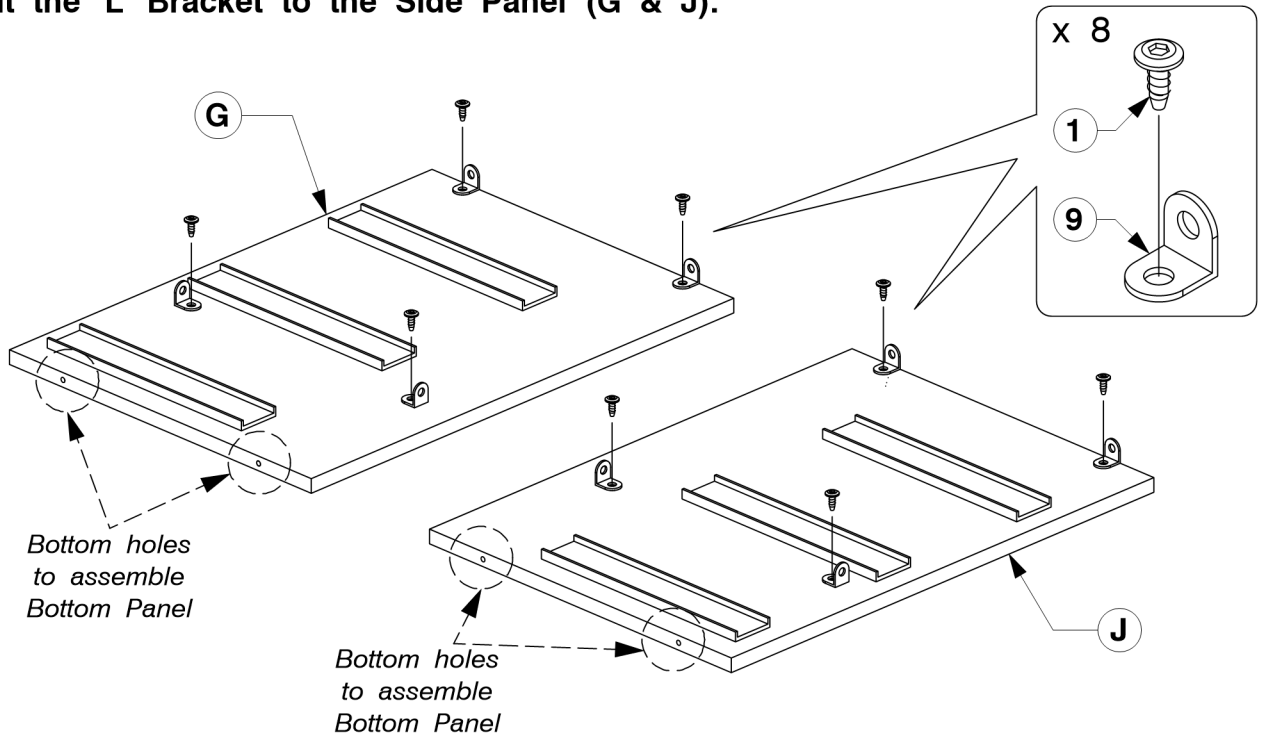


9012 6 Drawer Dresser

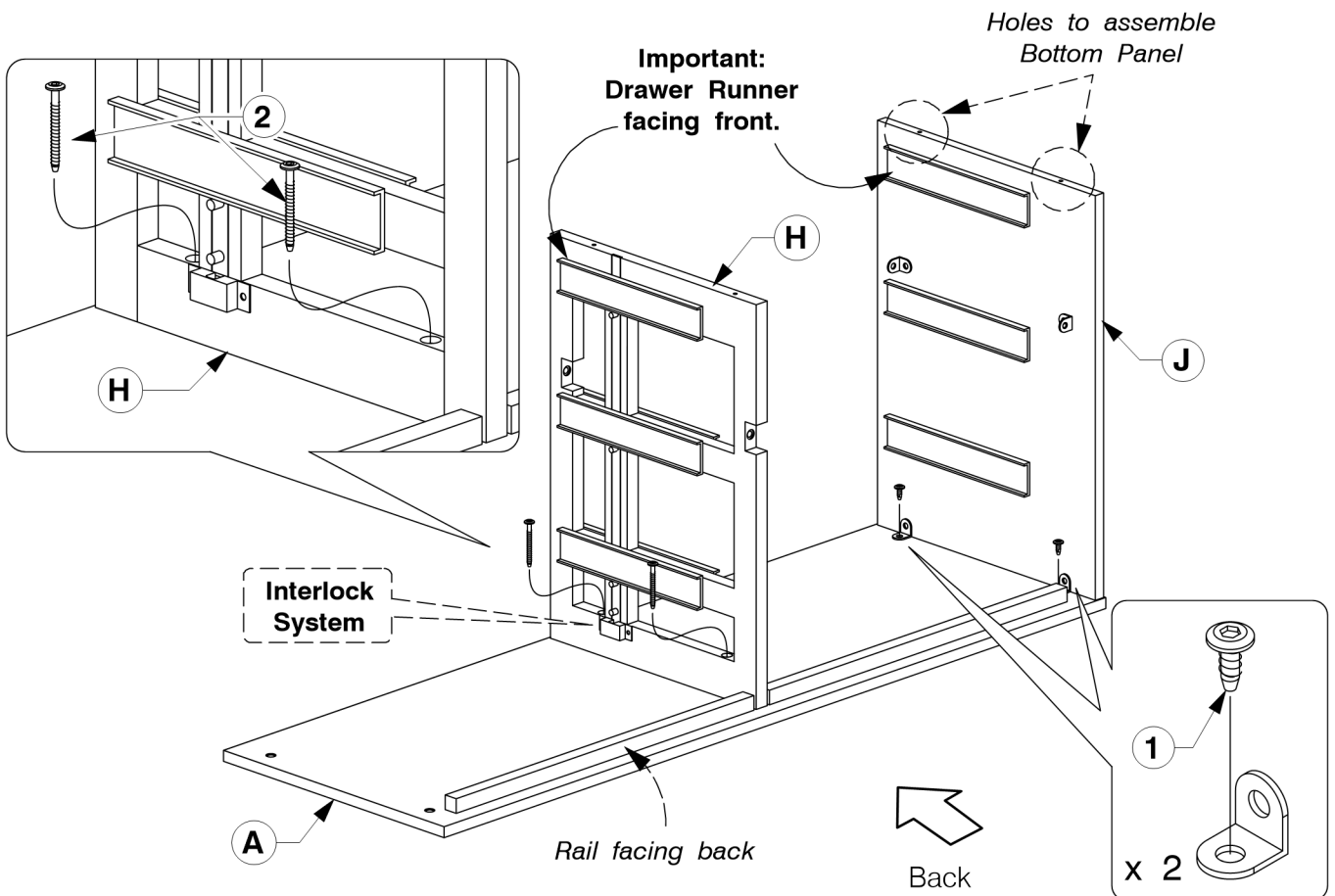
Assembly Instructions

WI-0724

4 Fit the 'L' Bracket to the Side Panel (G & J).



5 Fit the Side Panel- Right Hand (J) & Center Frame (H) to the Top Panel (A).

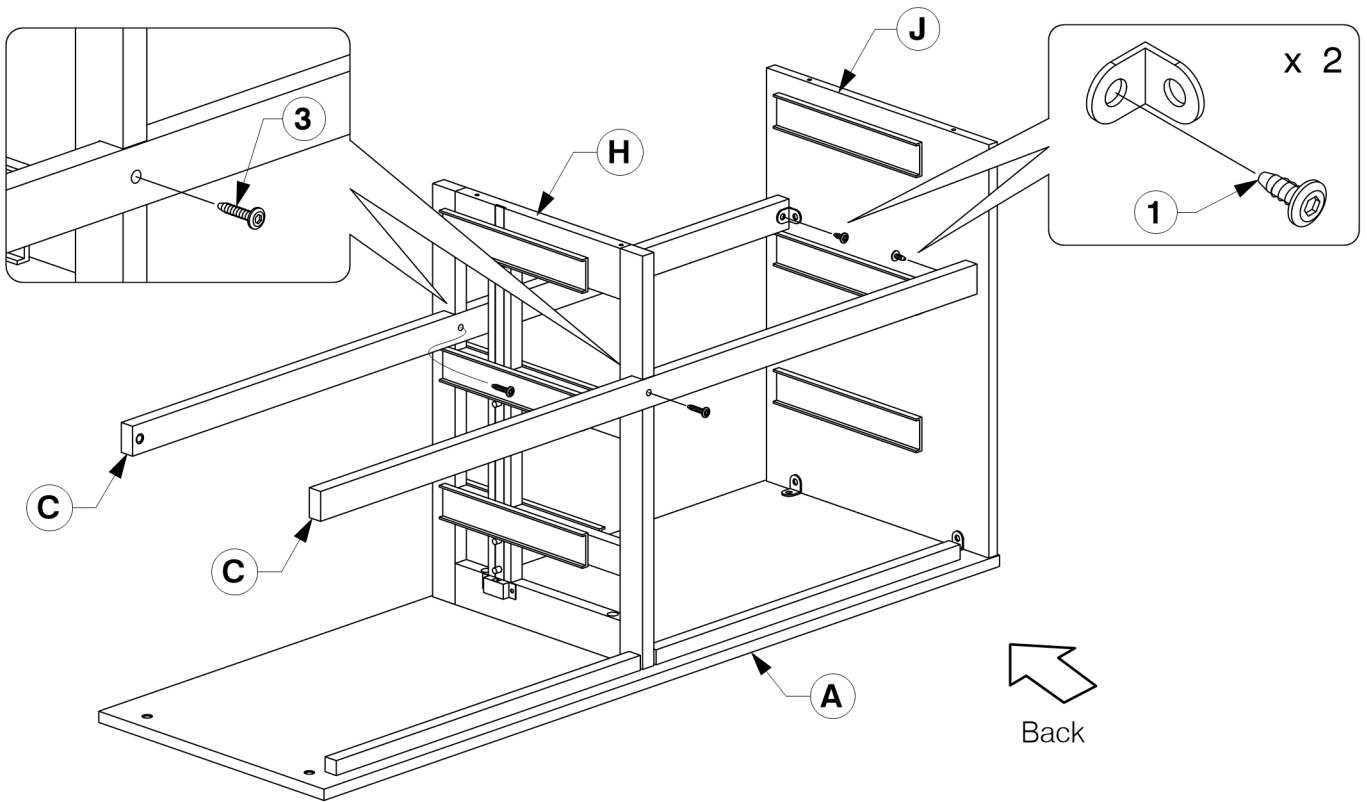


9012 6 Drawer Dresser

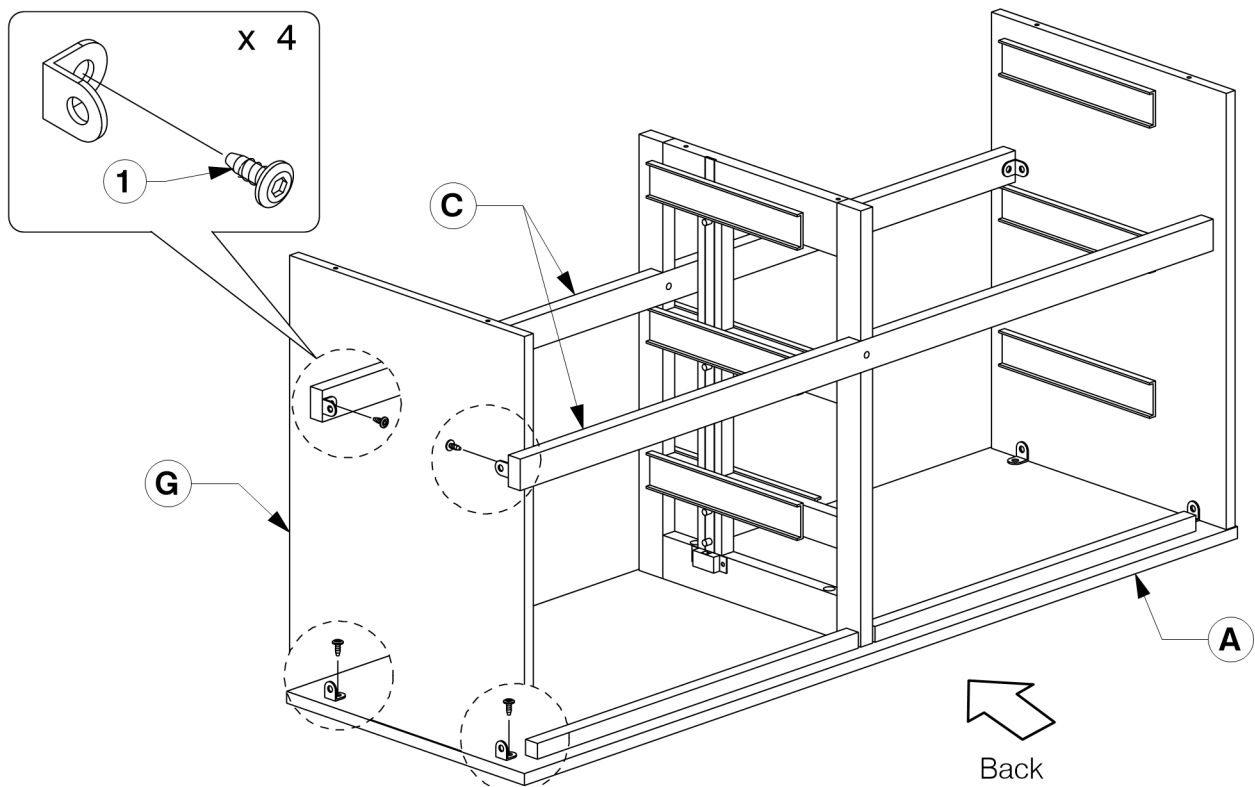
Assembly Instructions

WI-1123

- 6** Fit the Support Bar (C) to the Side Panel- Right Hand (J) & Center Frame (H) as shown.



- 7** Fit the other side of Side Panel- Left Hand (G) to the Top Panel (A) & Support Bar (C).

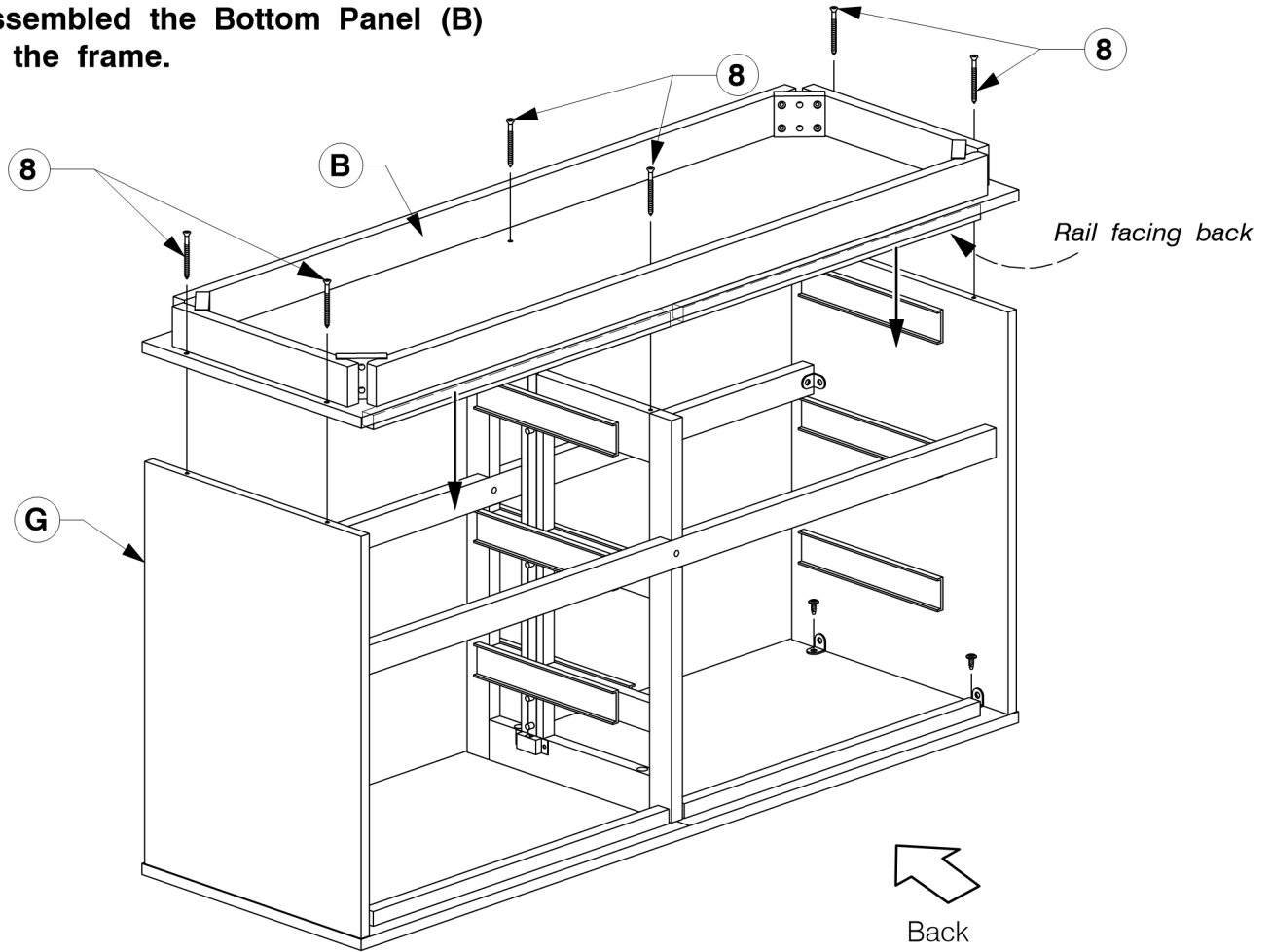


9012 6 Drawer Dresser

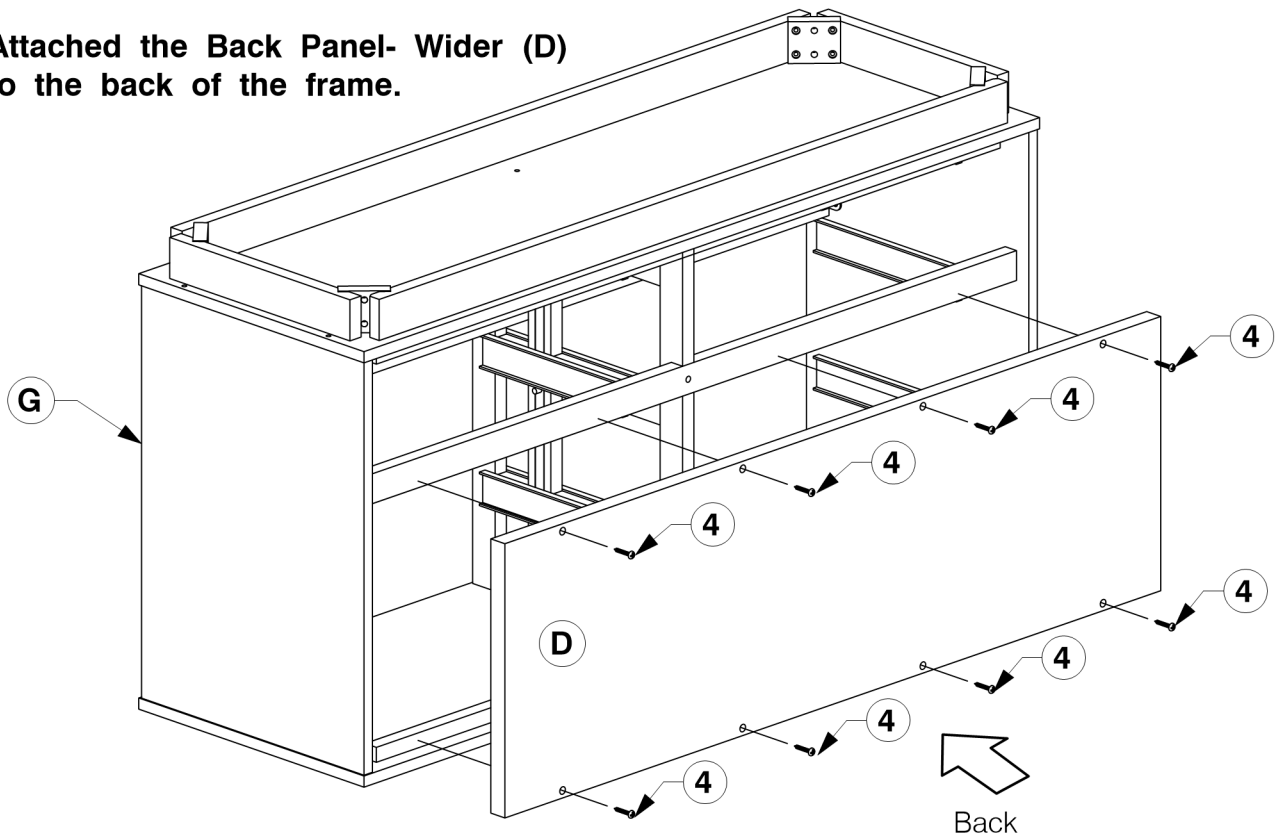
Assembly Instructions

WI-0724

- 8** Assembled the Bottom Panel (B) to the frame.



- 9** Attached the Back Panel- Wider (D) to the back of the frame.

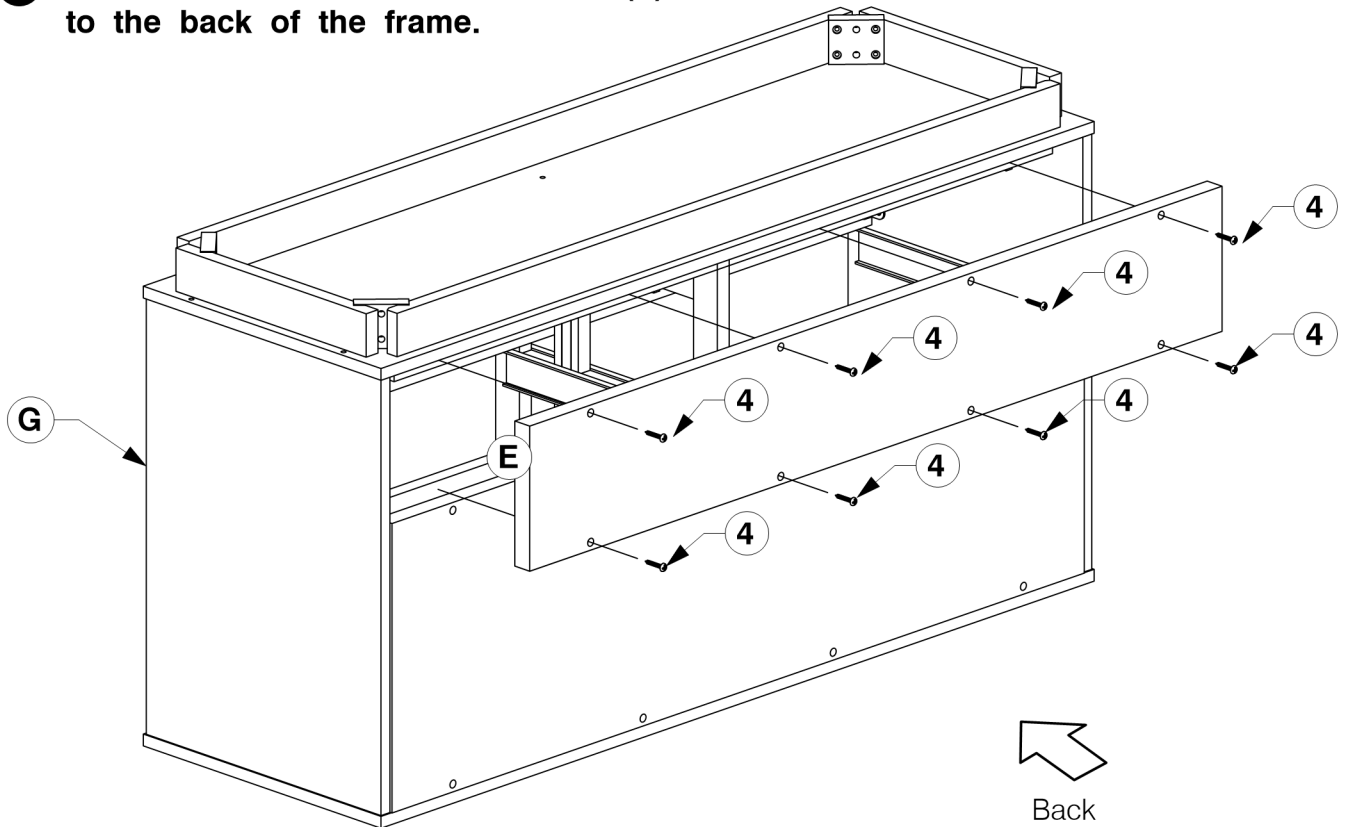


9012 6 Drawer Dresser

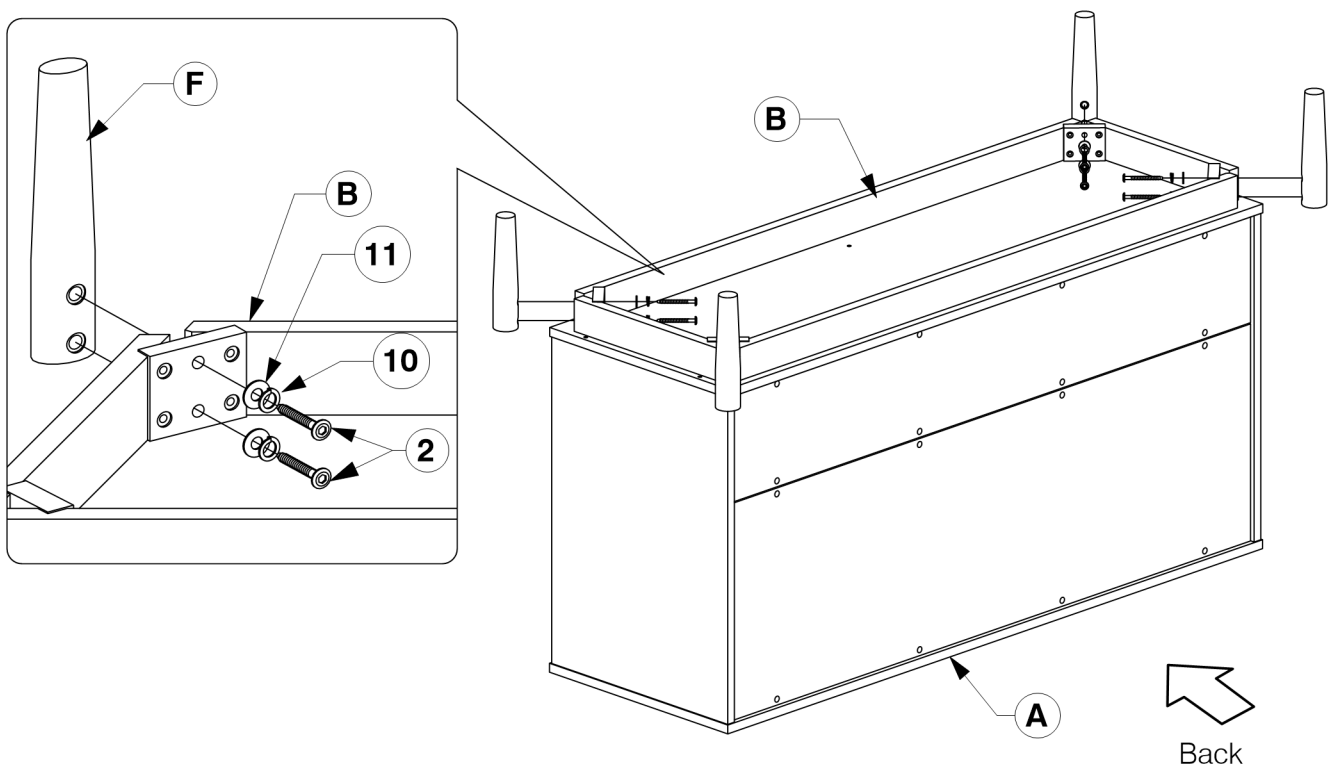
Assembly Instructions

WI-0724

- 10** Attached the Back Panel- Narrow (E) to the back of the frame.



- 11** Fit the Post (F) to the Bottom Panel (B) as shown below.



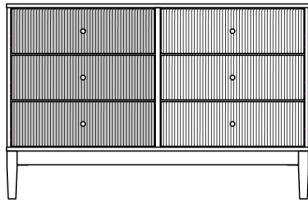
9012 6 Drawer Dresser

Assembly Instructions

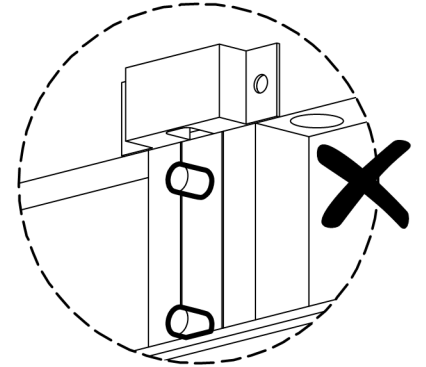
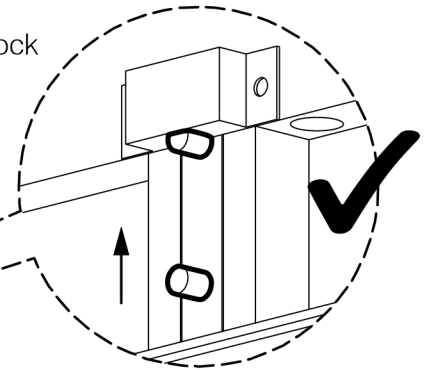
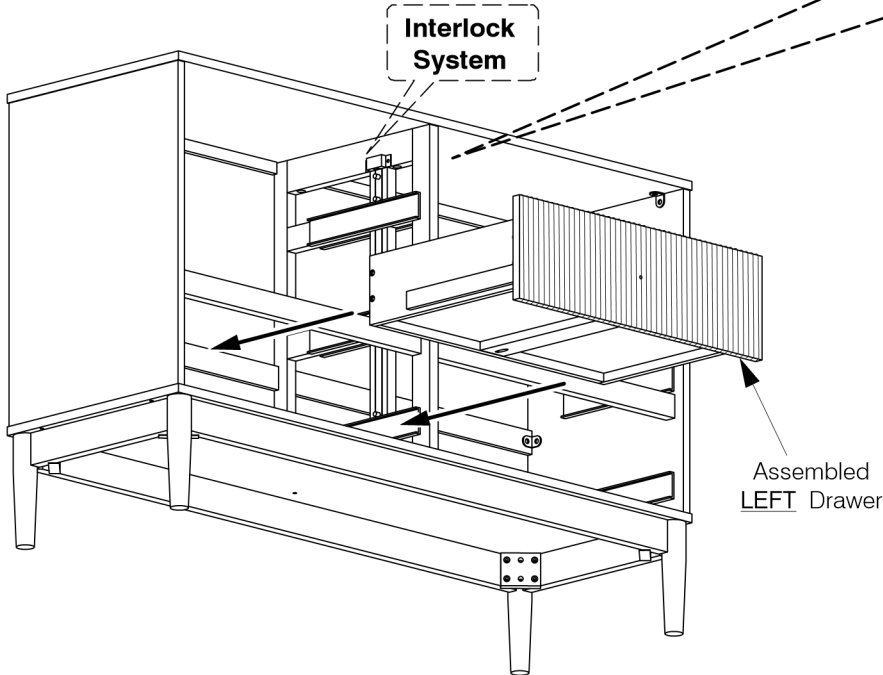
WI-0724

12 Install the Drawers.

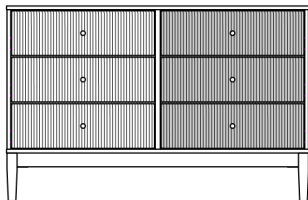
LEFT



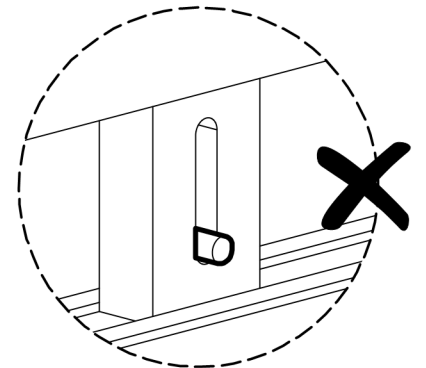
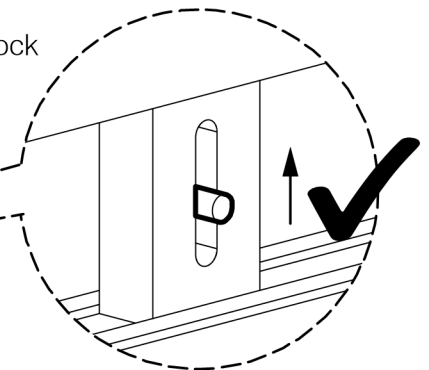
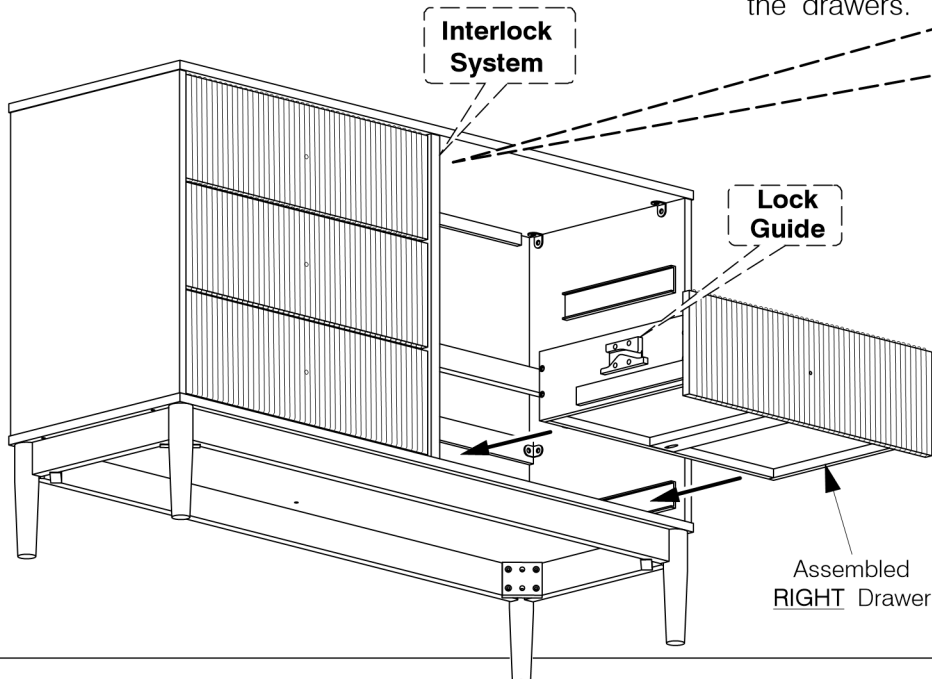
- Push the interlock bar **upwards** before inserting the drawers.



RIGHT



- Push the interlock bar **upwards** before inserting the drawers.



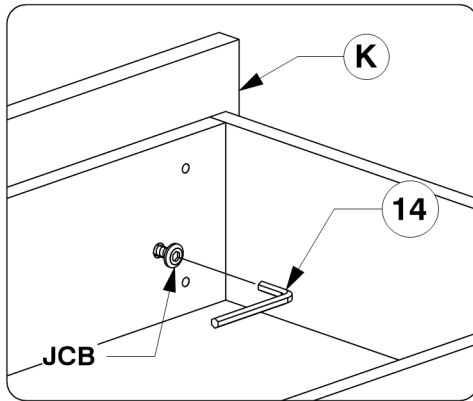
9012 6 Drawer Dresser

Assembly Instructions

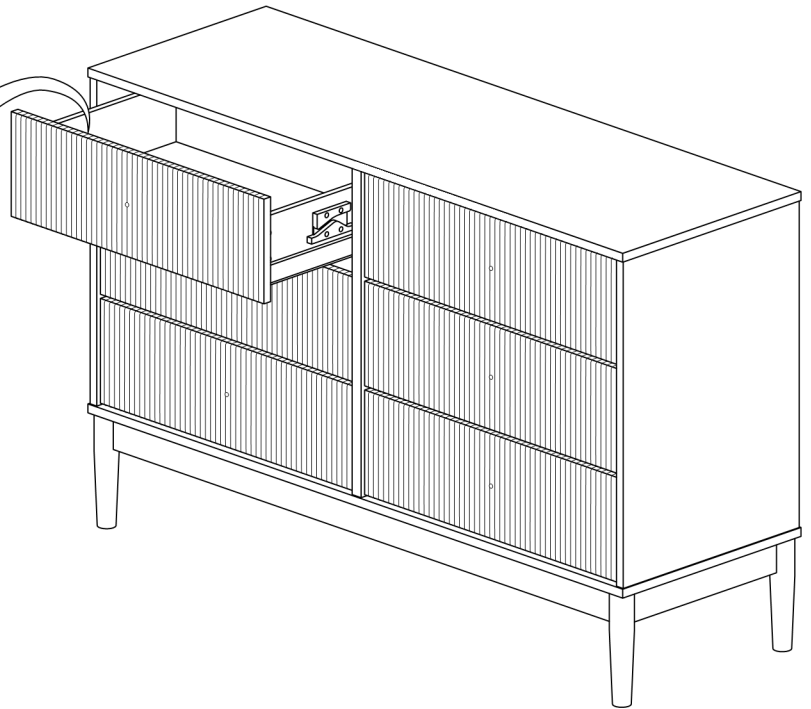
WI-0724

13 Adjust the Drawer Face (K).

* NOTE: Before fitting the Wood Screws.
Loosen the JCBs on the Drawer Face if
the face needs alignment.

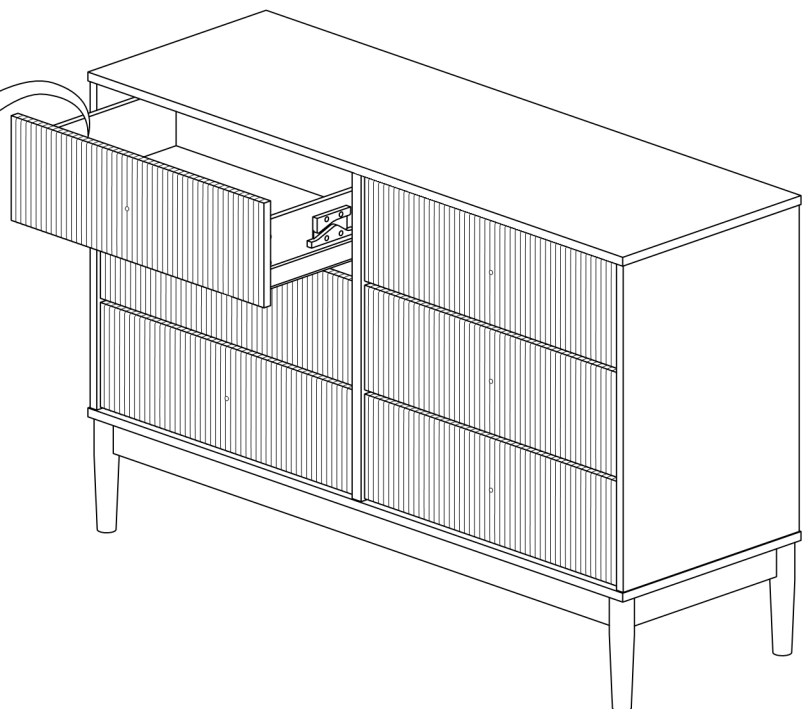
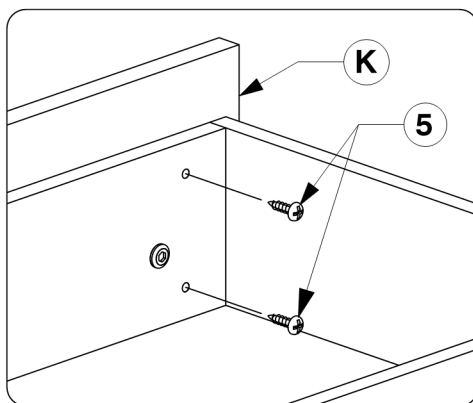


* NOTE: Only one drawer
can be open at a time.



14 After the Drawer Faces (K) are aligned, secure with wood screws.

* NOTE: Only one drawer
can be open at a time.



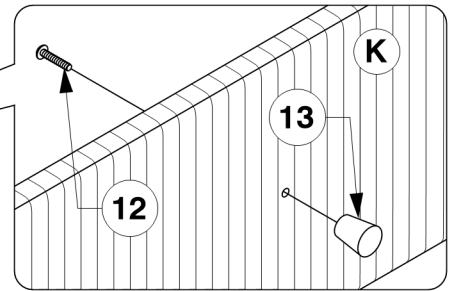
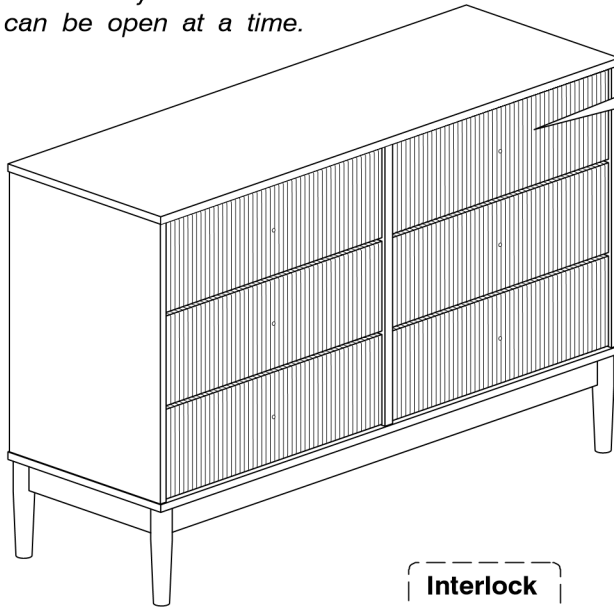
9012 6 Drawer Dresser

Assembly Instructions

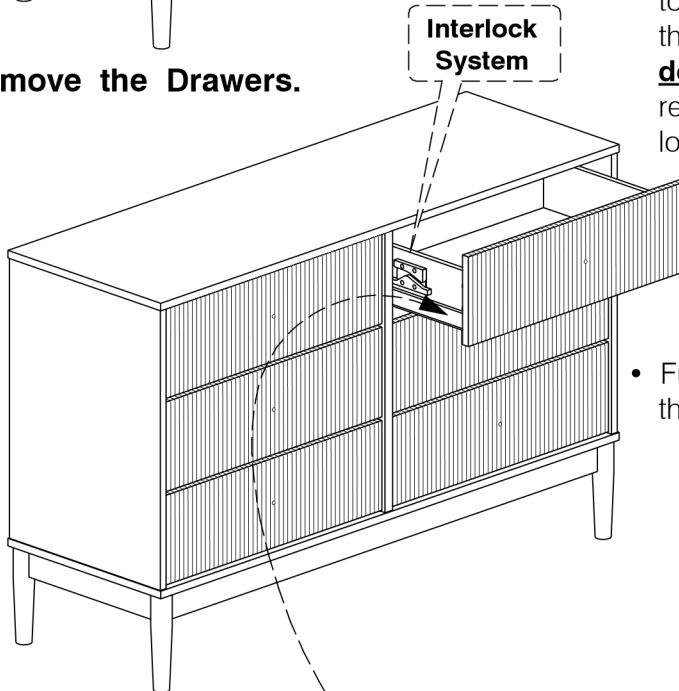
WI-0724

15 Finally, fit the Handle to the Drawer Face (K).

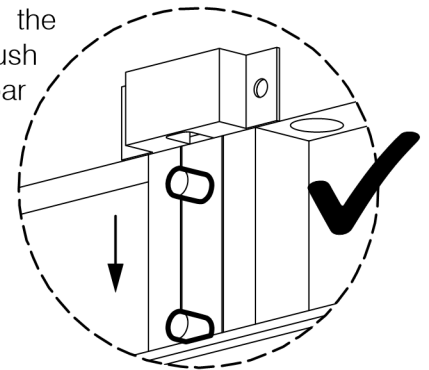
* NOTE: Only one drawer can be open at a time.



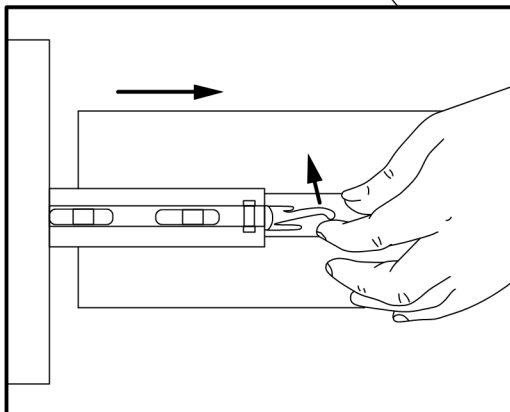
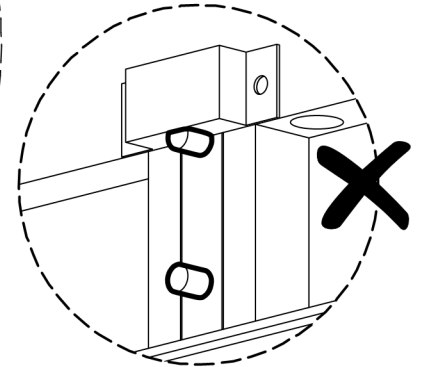
16 Remove the Drawers.



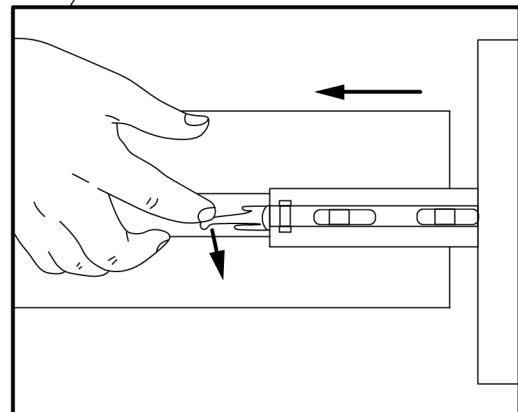
- After removing the top drawer, push the interlock bar **down**. Then remove the lower drawers.



- Fully open the Drawer.



- Lift the **LEFT** side clip up.

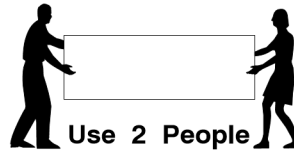
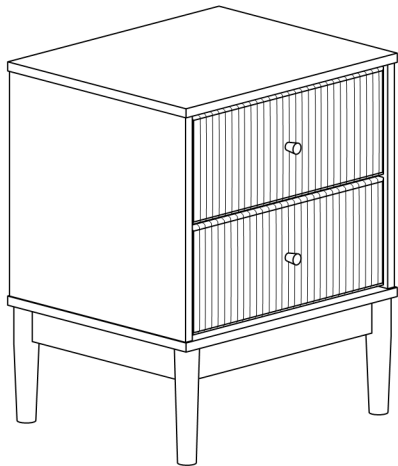


- Push **RIGHT** side clip down.

9012 2 Drawer Nightstand

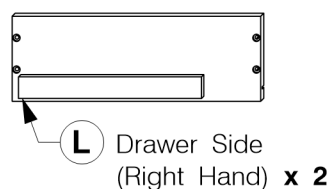
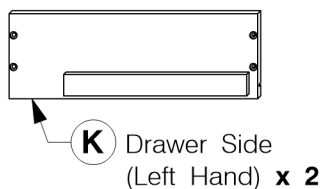
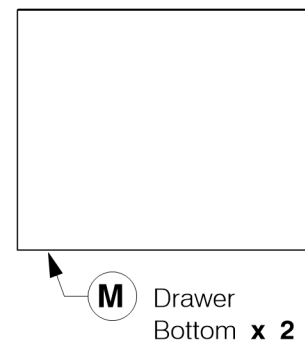
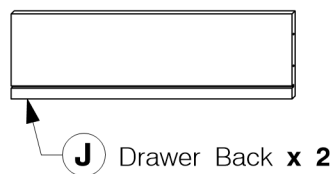
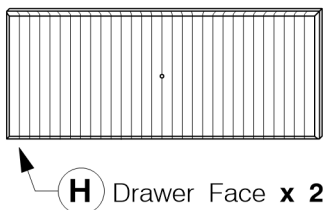
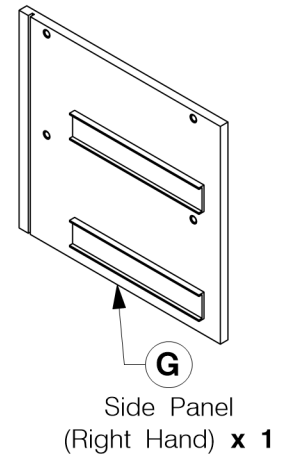
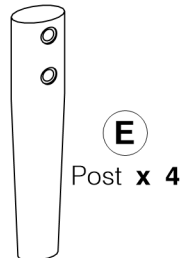
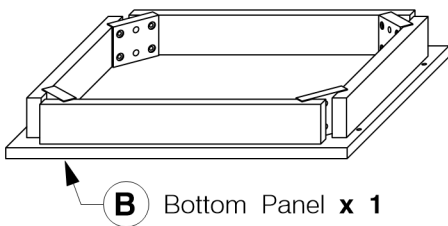
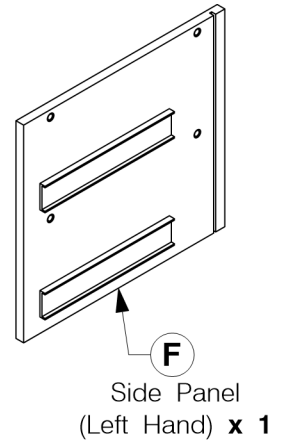
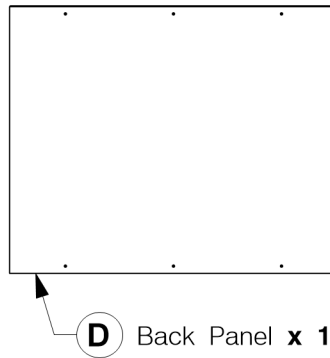
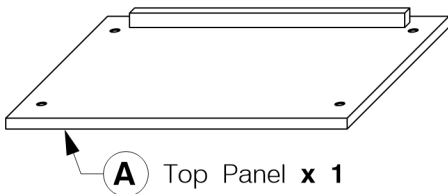
Assembly Instructions

WI-0724



Note: Do not assemble using power tools. This can cause the bolts to be overtightened

1 Parts List




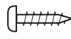

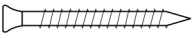








9012 2 Drawer Nightstand

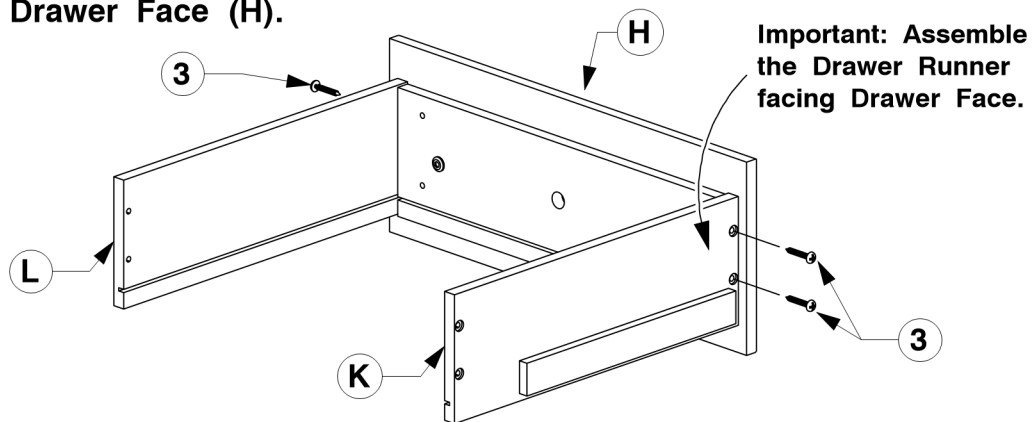
Assembly Instructions

WI-0724

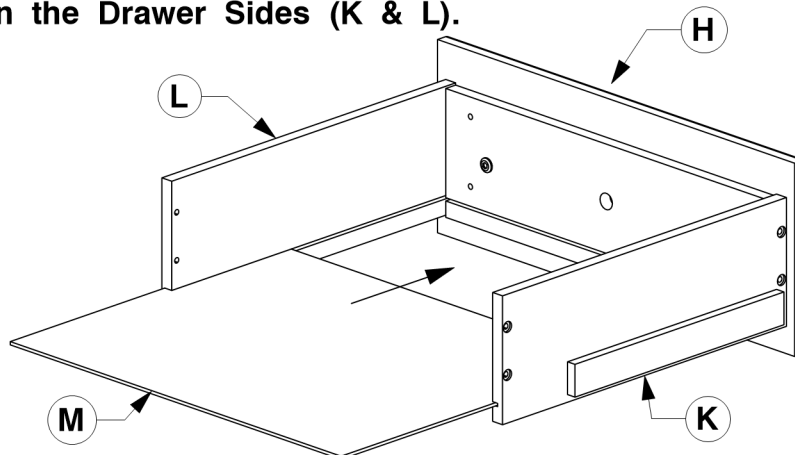
2 Hardware List

- | | | | | | |
|--|--|--|---|---|---|
| 
① M6 x 15mm
JCB x 16 | 
② M6 x 60mm
JCB x 8 | 
③ M4 x 25mm
Wood
Screw x 16 | 
④ M4 x 20mm
Wood
Screw x 8 | 
⑤ M4 x 16mm
Wood
Screw x 6 | 
⑥ CSK Cap
Wood Screw
(M6 x 60mm) x 4 |
| 
⑦ Spring
Washer
x 8 | 
⑧ Flat
Washer
x 8 | 
⑨ 'L' Bracket
(5005-3)
x 8 | 
⑩ M4 x 22mm
Wood Screw
x 2 | 
⑪ Handle
(1005)
x 2 | 
⑫ Allen Key
x 1 |

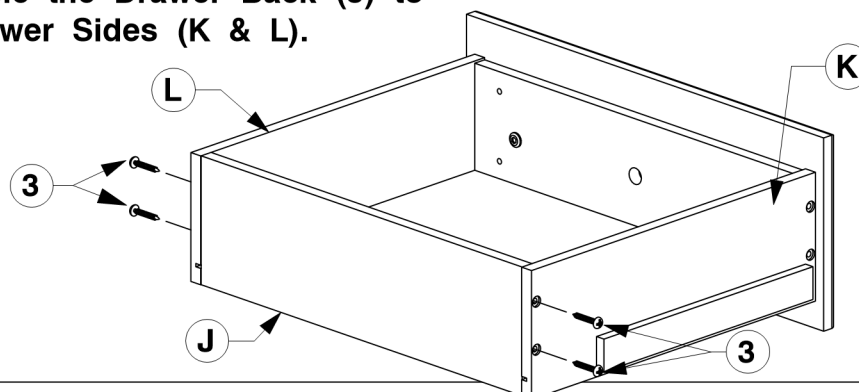
3 Assemble the Drawer Sides (K & L) to the Drawer Face (H).



4 Slide the Drawer Bottom (M) into the groove on the Drawer Sides (K & L).



5 Assemble the Drawer Back (J) to the Drawer Sides (K & L).

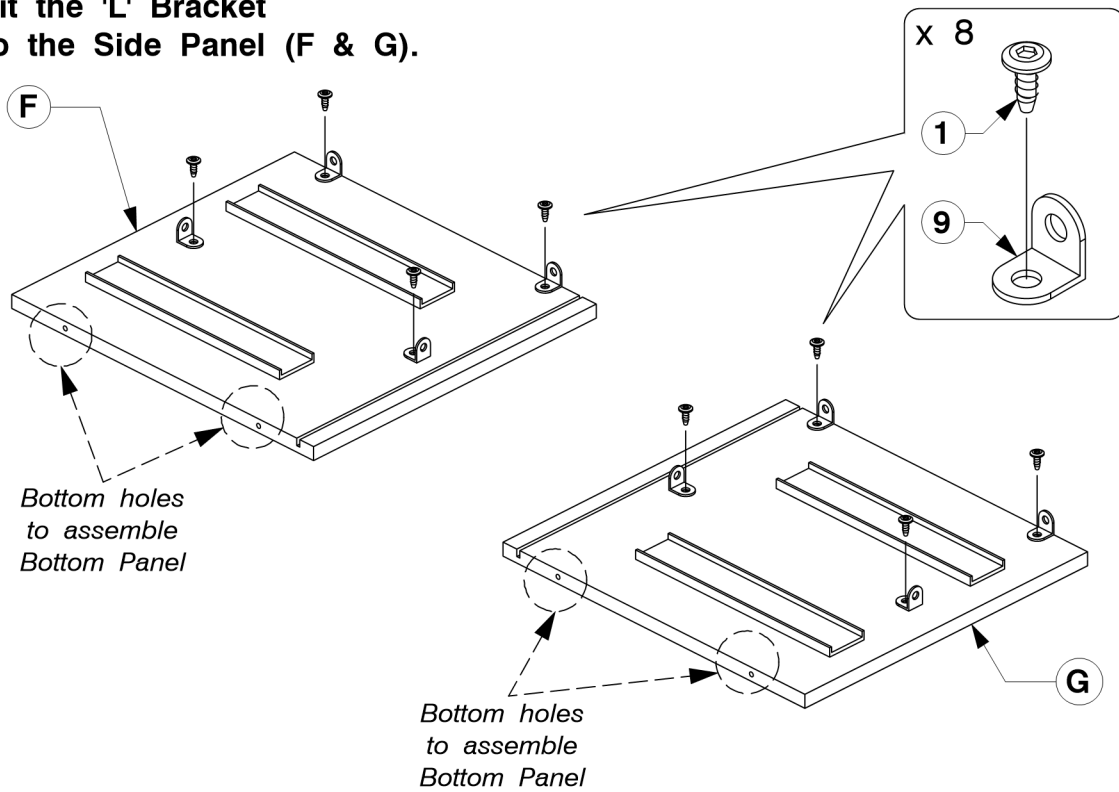


9012 2 Drawer Nightstand

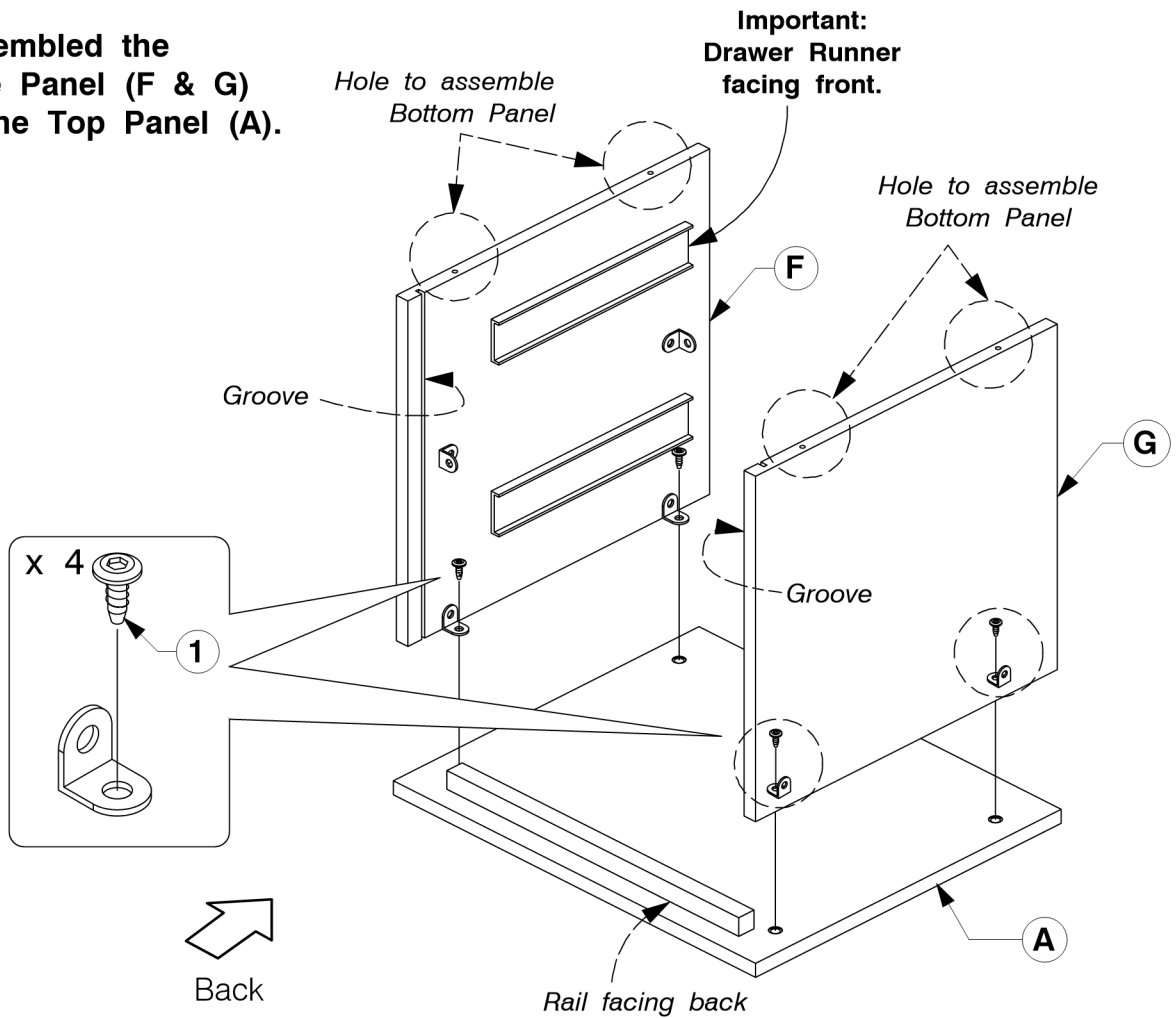
Assembly Instructions

WI-0724

6 Fit the 'L' Bracket to the Side Panel (F & G).



7 Assembled the Side Panel (F & G) to the Top Panel (A).

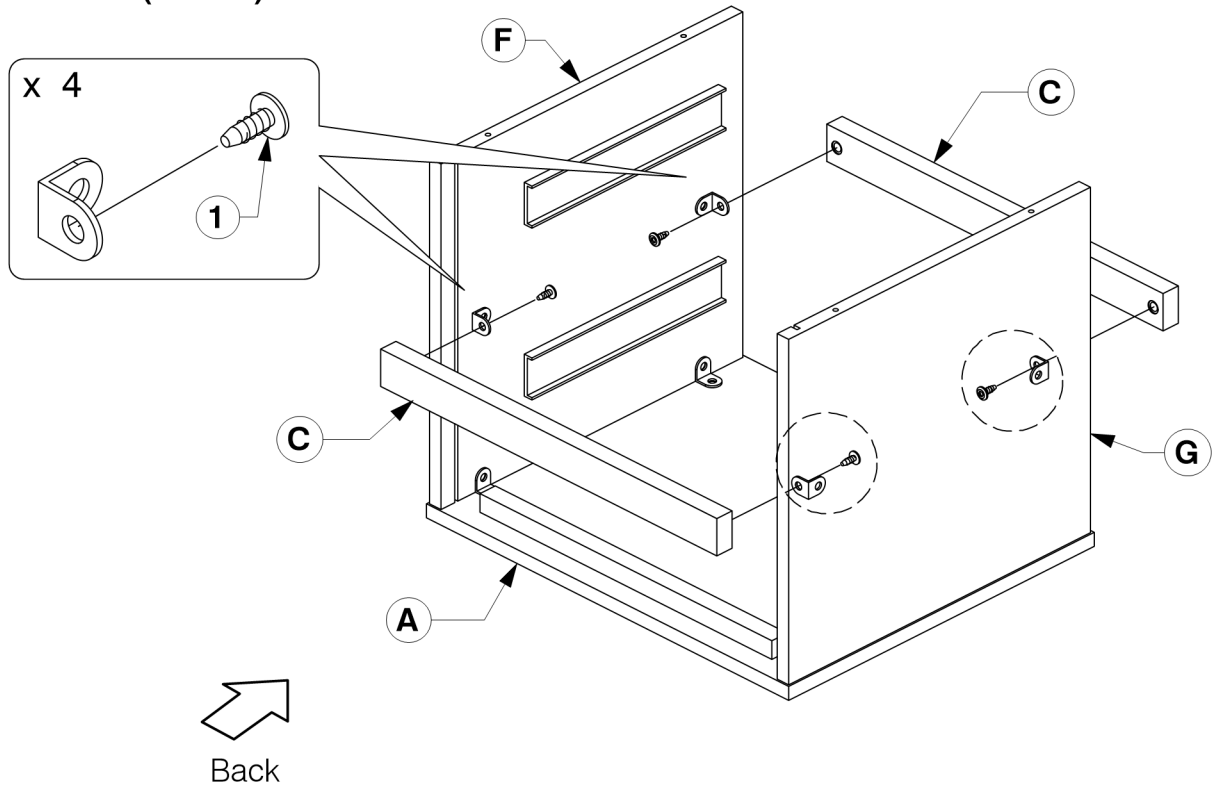


9012 2 Drawer Nightstand

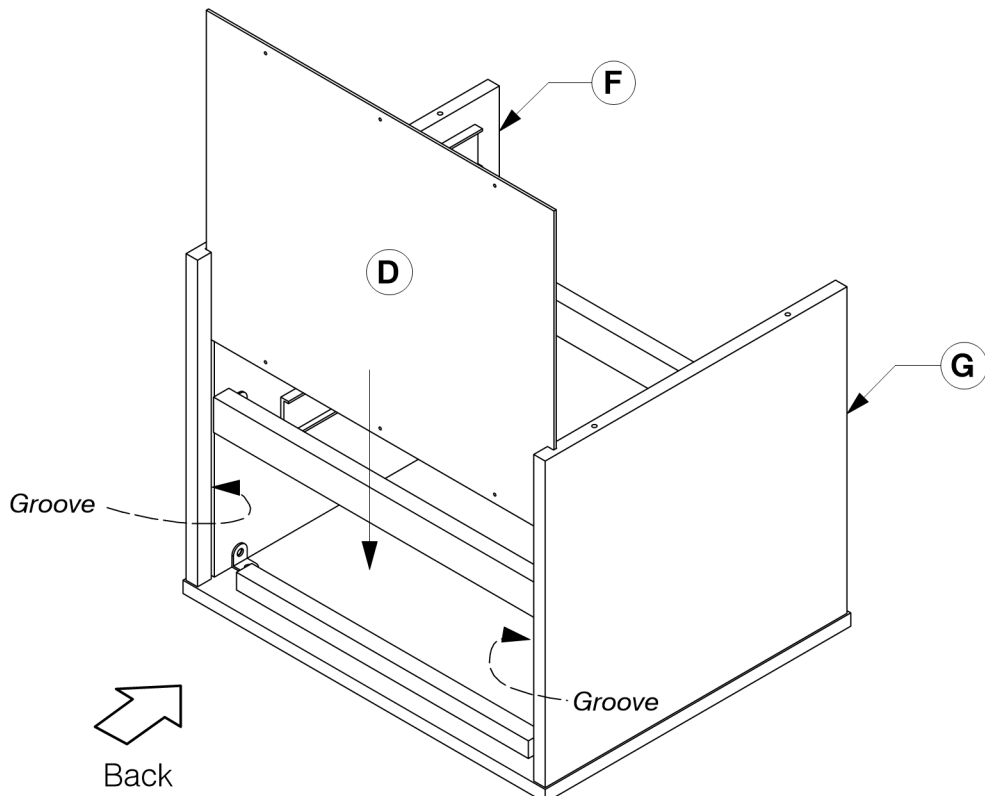
Assembly Instructions

WI-0724

- 8** Fit the Support Bar (C) to the Side Panel (F & G).



- 9** Slide the Back Panel (D) into the groove on the back of the Side Panel (F & G).

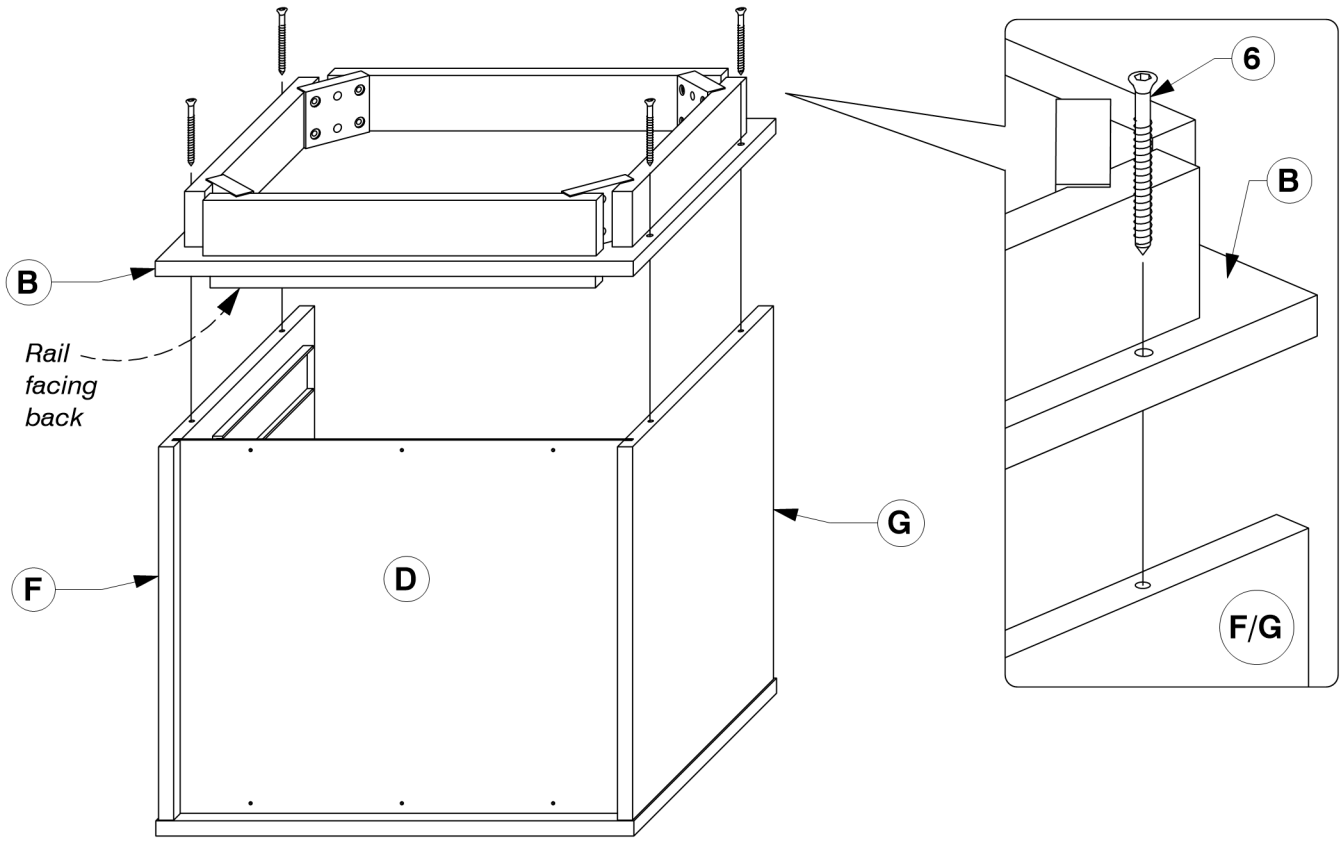


9012 2 Drawer Nightstand

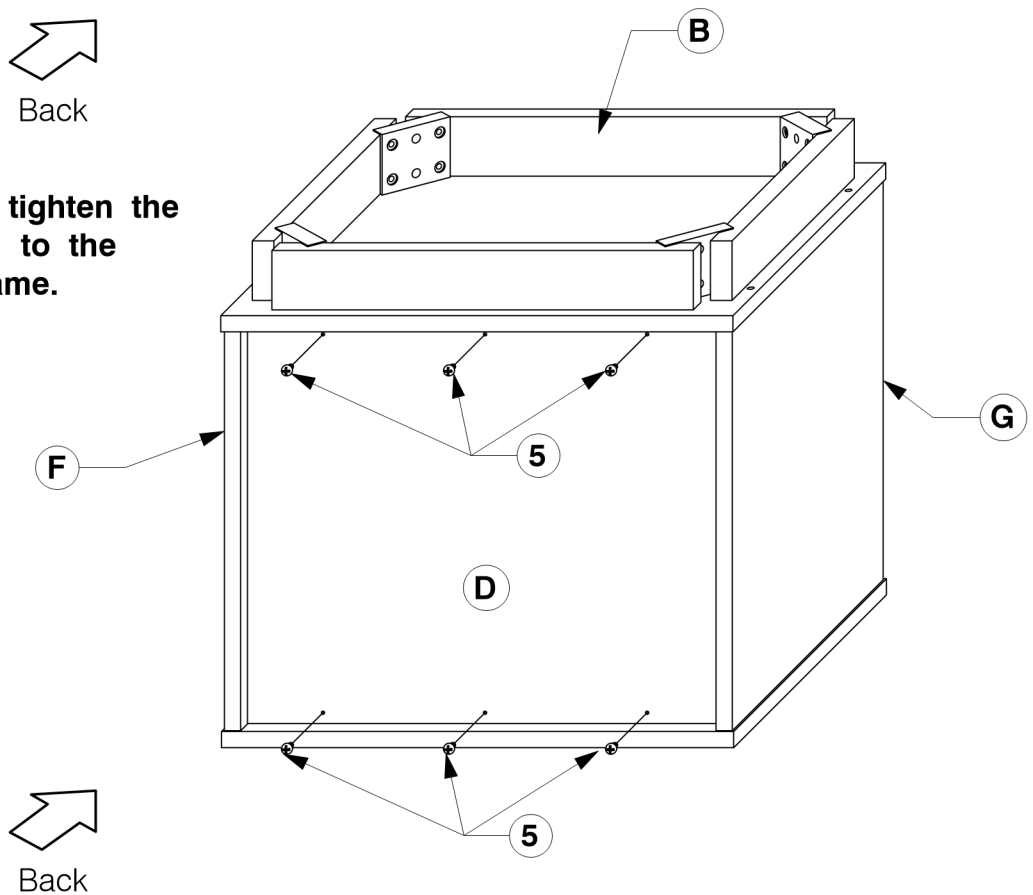
Assembly Instructions

WI-0724

- 10** Fit the Bottom Panel (B) to the Bottom of the Side Panel (F & G).



- 11** Use screws to tighten the Back Panel (D) to the back of the frame.

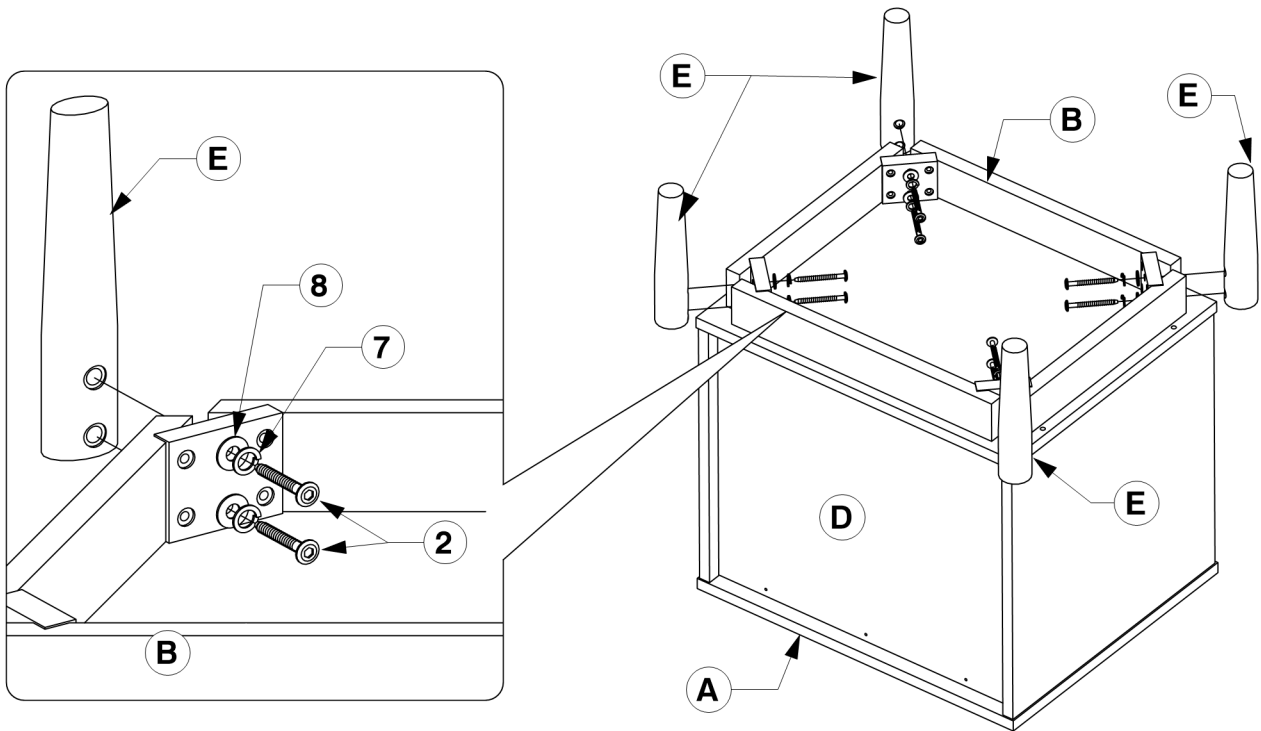


9012 2 Drawer Nightstand

Assembly Instructions

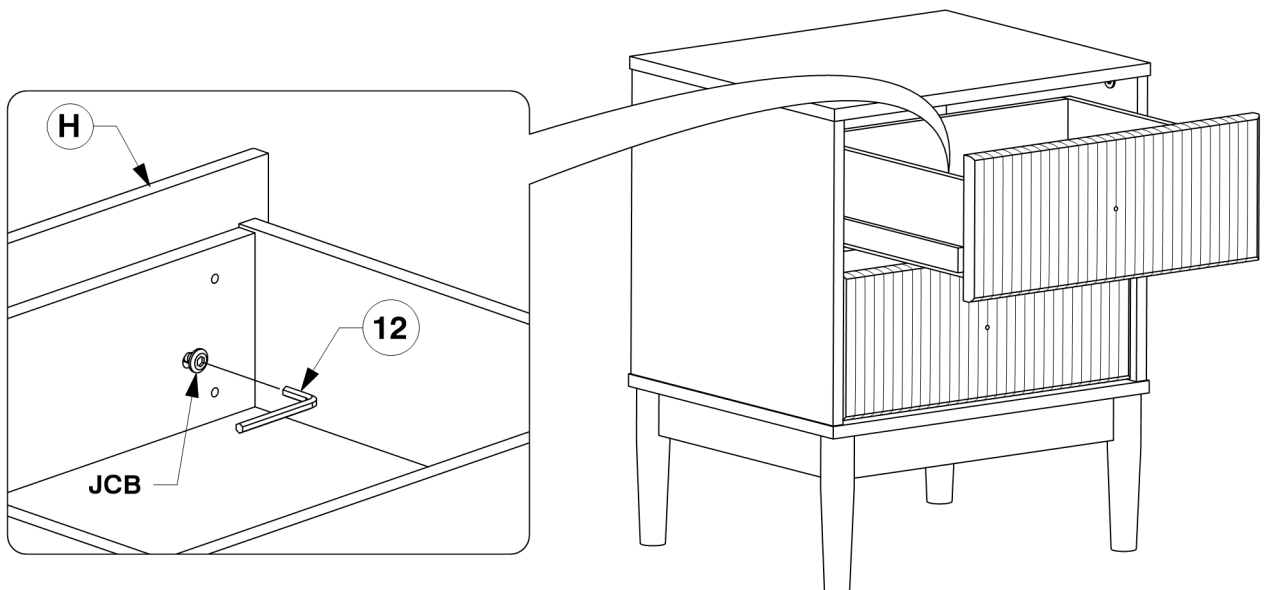
WI-0724

12 Fit the Post (E) to the Bottom Panel (B).



13 Fit and adjust the Drawer Face (H).

* NOTE: Before fitting the Wood Screws.
Loosen the JCBs on the Drawer Face if
the face needs alignment.

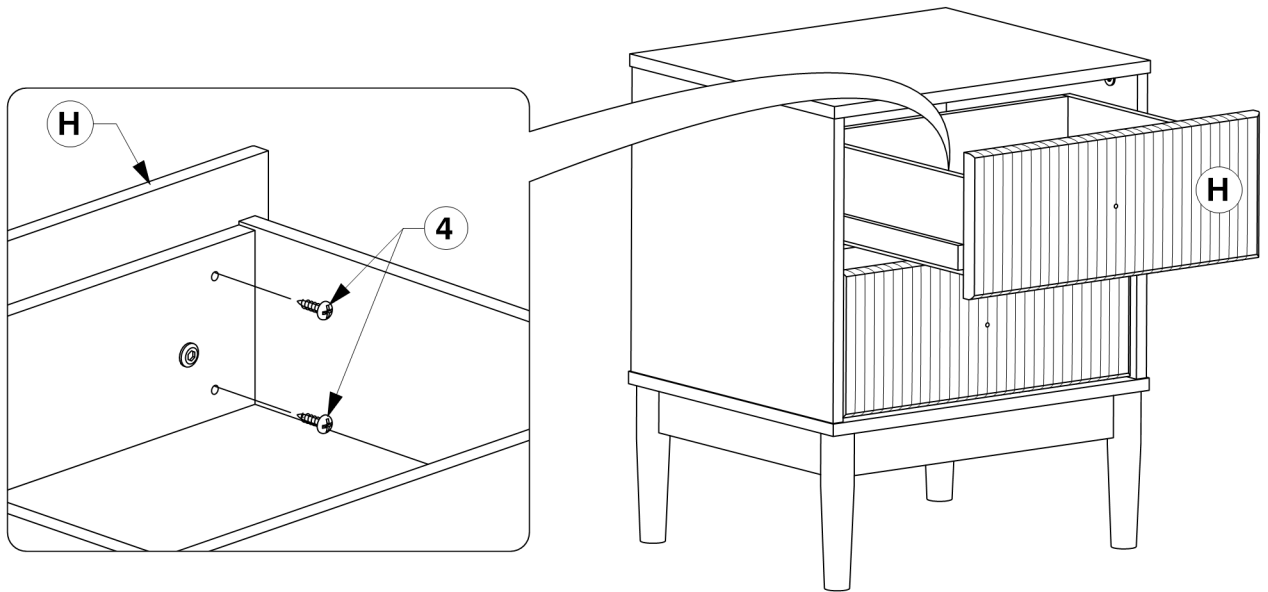


9012 2 Drawer Nightstand

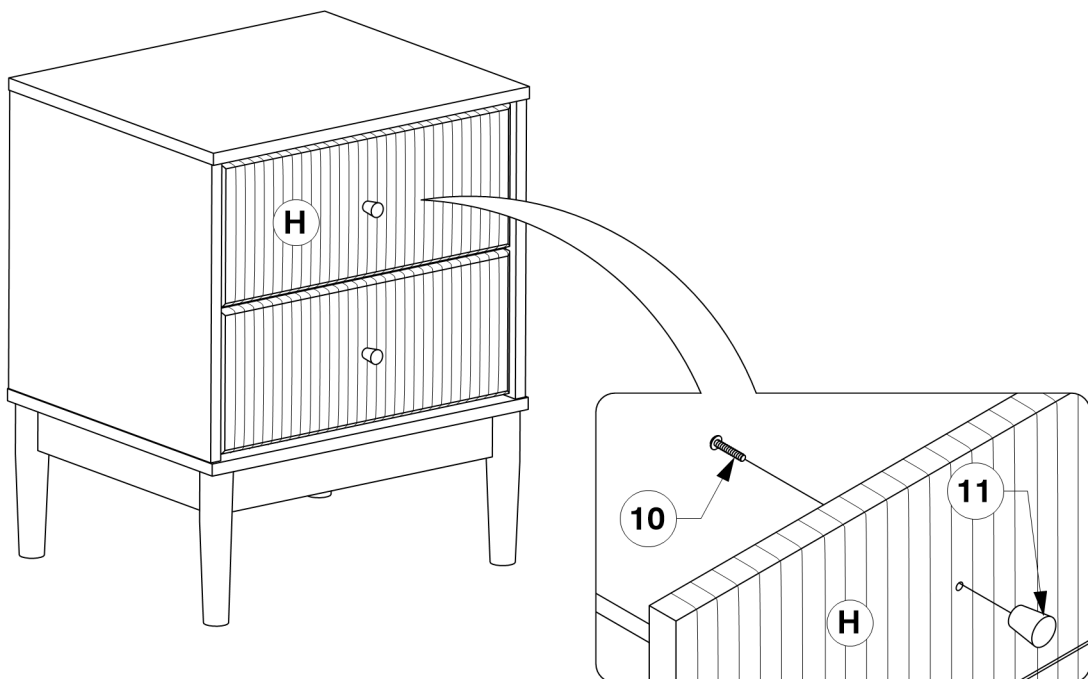
Assembly Instructions

WI-1220

- 14** After the Drawer Faces (H) are aligned, secure with wood screws.



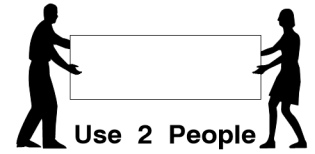
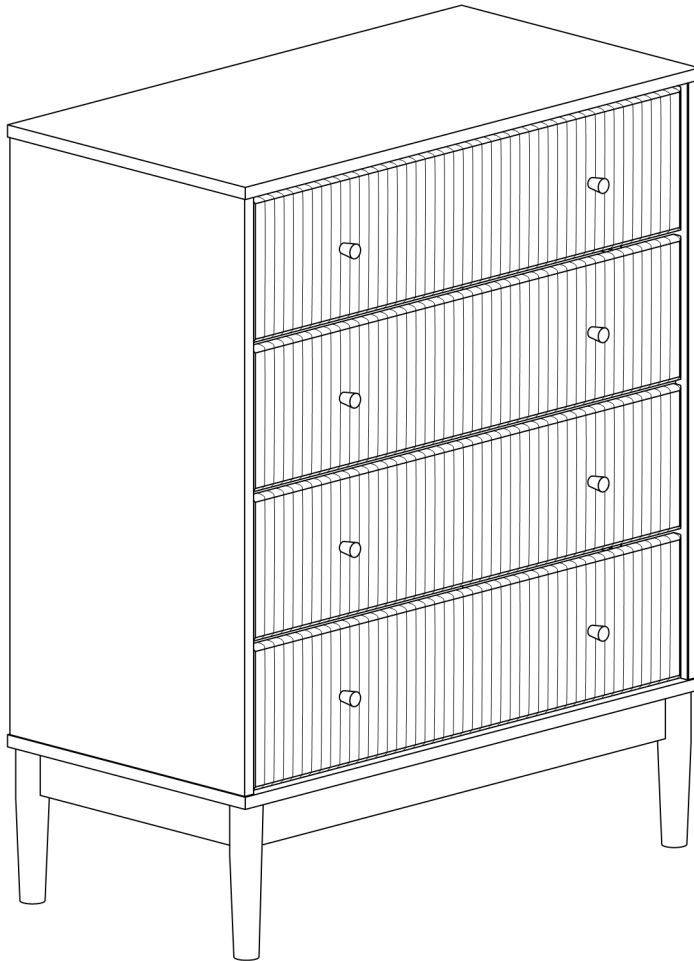
- 15** Finally, fit the Handle to the Drawer Face (H).



9012 4 Drawer Chest

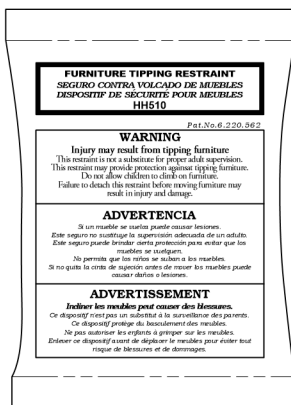
Assembly Instructions

WI-0724



Note: Do not assemble using power tools. This can cause the bolts to be overtightened

WARNING



Anti Tipping Kit
Anti Tipping Kit x 1



Children have died from furniture tipover.

To reduce the risk of furniture tipover:

- ALWAYS install anti-tip device provided.
- NEVER put a TV on this product.
- NEVER allow children to stand, climb, or hang on any drawers, doors or shelves.
- NEVER open more than one drawer at a time.
- DO NOT defeat or remove the drawer interlock system; it is an important stability and safety system.
- Place heaviest items in the lowest drawer.

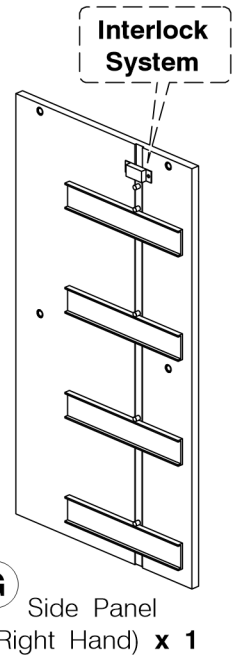
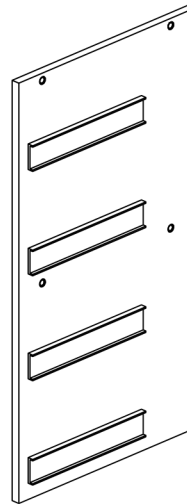
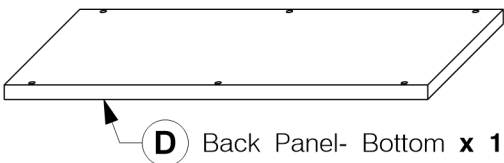
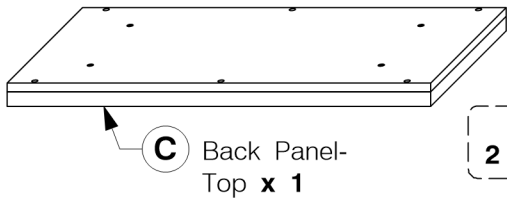
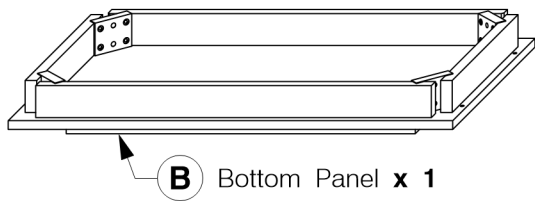
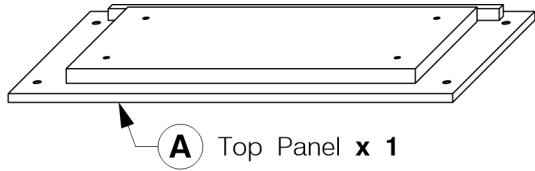
9012 4 Drawer Chest

Assembly Instructions

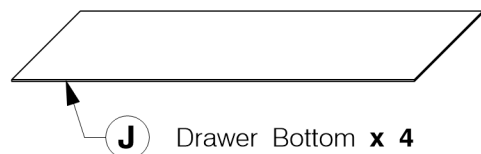
WI-0724

1 Parts List

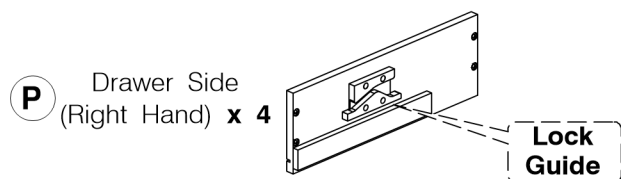
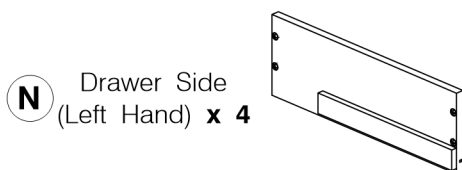
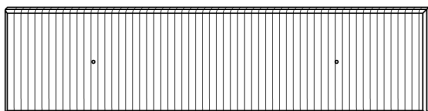
Parts in Box A:



Note:
2 Layers



Parts in Box B:

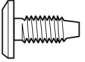
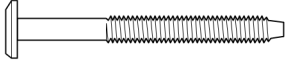
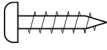
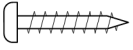
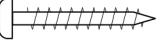

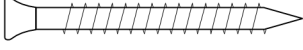



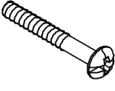




9012 4 Drawer Chest

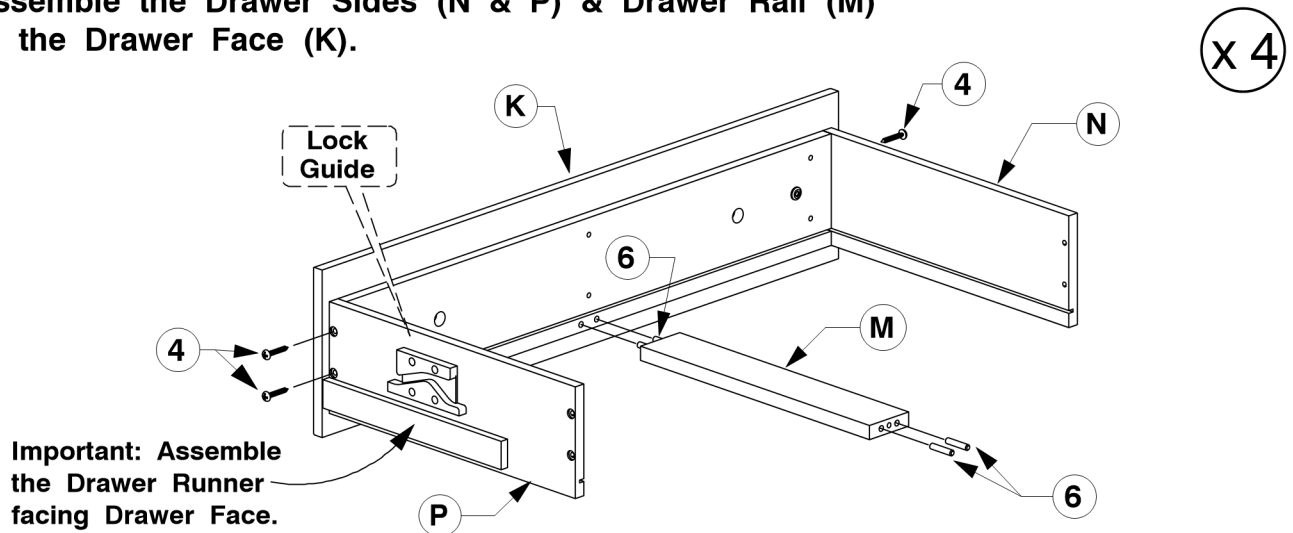
Assembly Instructions

WI-0724

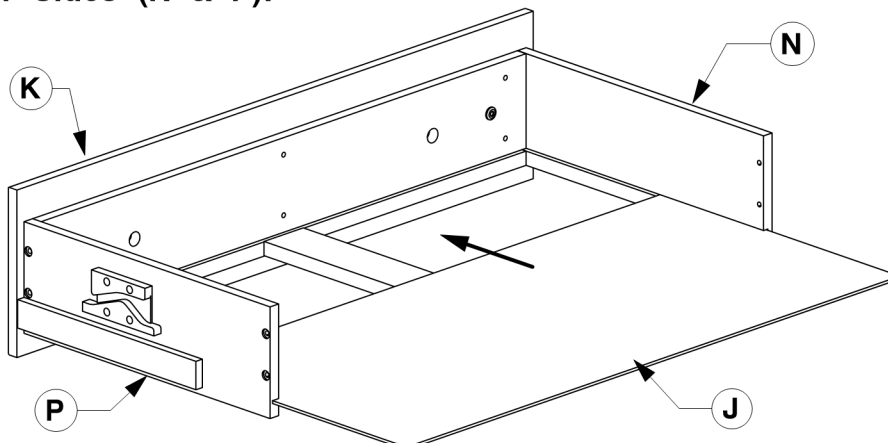
2 Hardware List

- | | | | |
|--|--|---|--|
| 
1 M6 x 15mm JCB
x 16 | 
2 M6 x 60mm JCB
x 8 | 
3 M4 x 20mm Wood Screw
x 24 | 
4 M4 x 25mm Wood Screw
x 40 |
| 
5 M4 x 32mm Wood Screw
x 12 | 
6 M6 x 25mm Wood Dowel
x 16 | 
7 CSK Cap Wood Screw (M6 x 60mm) x 4 | 
8 'L' Bracket (5005-3) x 8 |
| 
9 Spring Washer x 8 | 
10 Flat Washer x 8 | 
11 M4 x 22mm Wood Screw x 8 | 
12 Handle (1005) x 8 |
| | | | 
13 Allen Key x 1 |

3 Assemble the Drawer Sides (N & P) & Drawer Rail (M) to the Drawer Face (K).



4 Slide the Drawer Bottom (J) into the groove on the Drawer Sides (N & P).

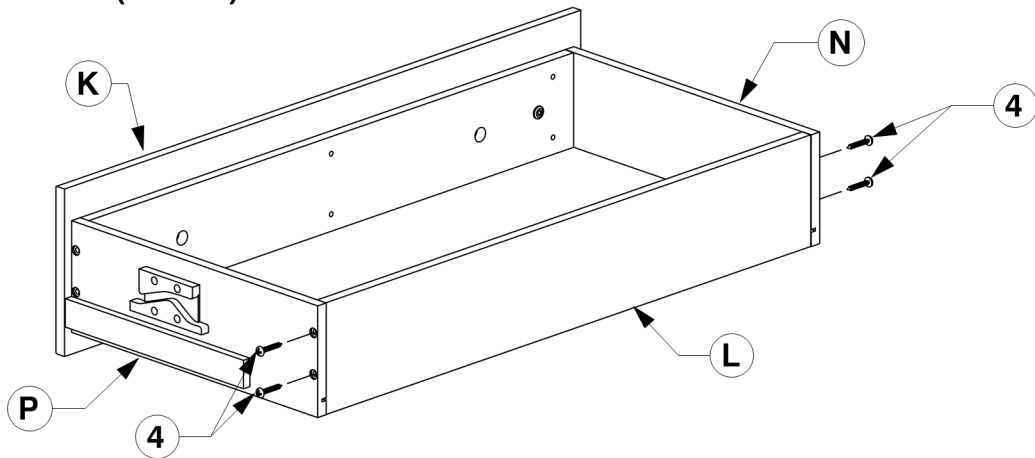


9012 4 Drawer Chest

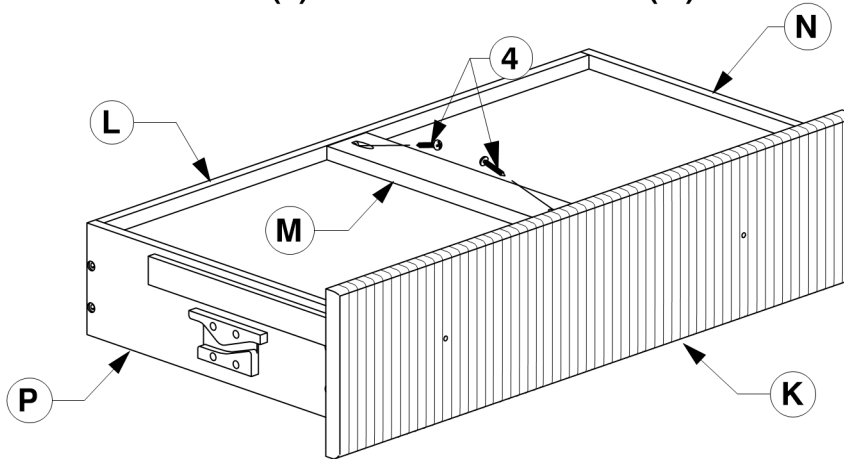
Assembly Instructions

WI-0724

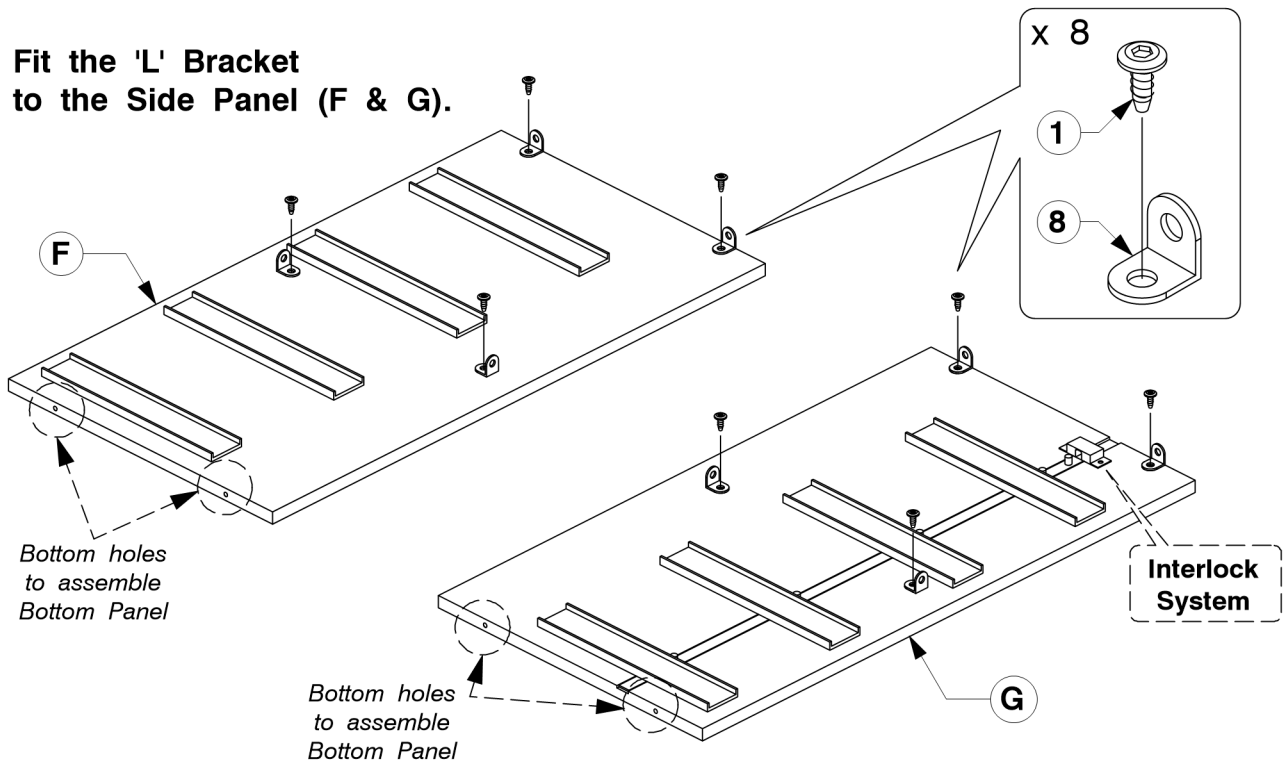
- 5** Assemble the Drawer Back (L) to the Drawer Sides (N & P).



- 6** Turn the Drawer over to fit angled 25mm Wood screws (4) to the Drawer Rail (M).



- 7** Fit the 'L' Bracket to the Side Panel (F & G).

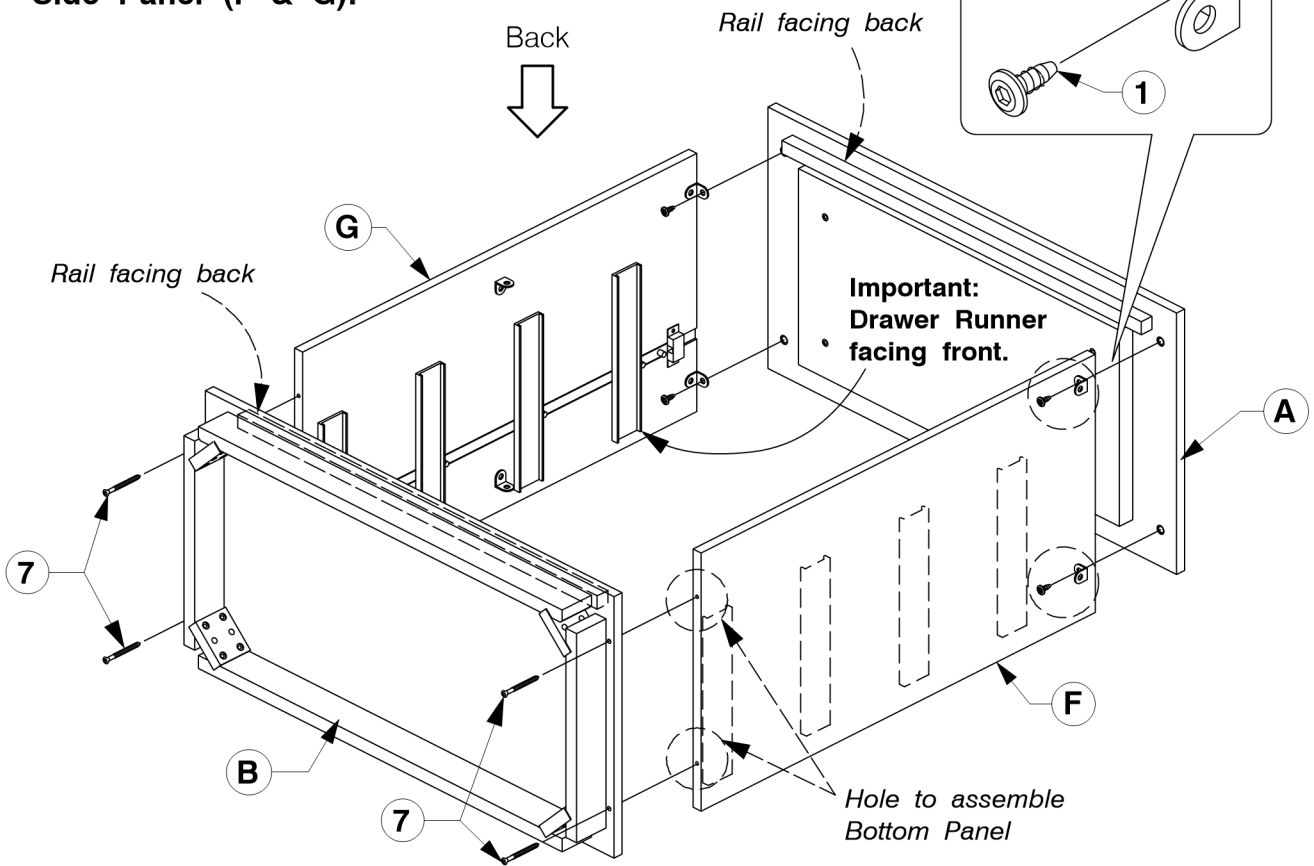


9012 4 Drawer Chest

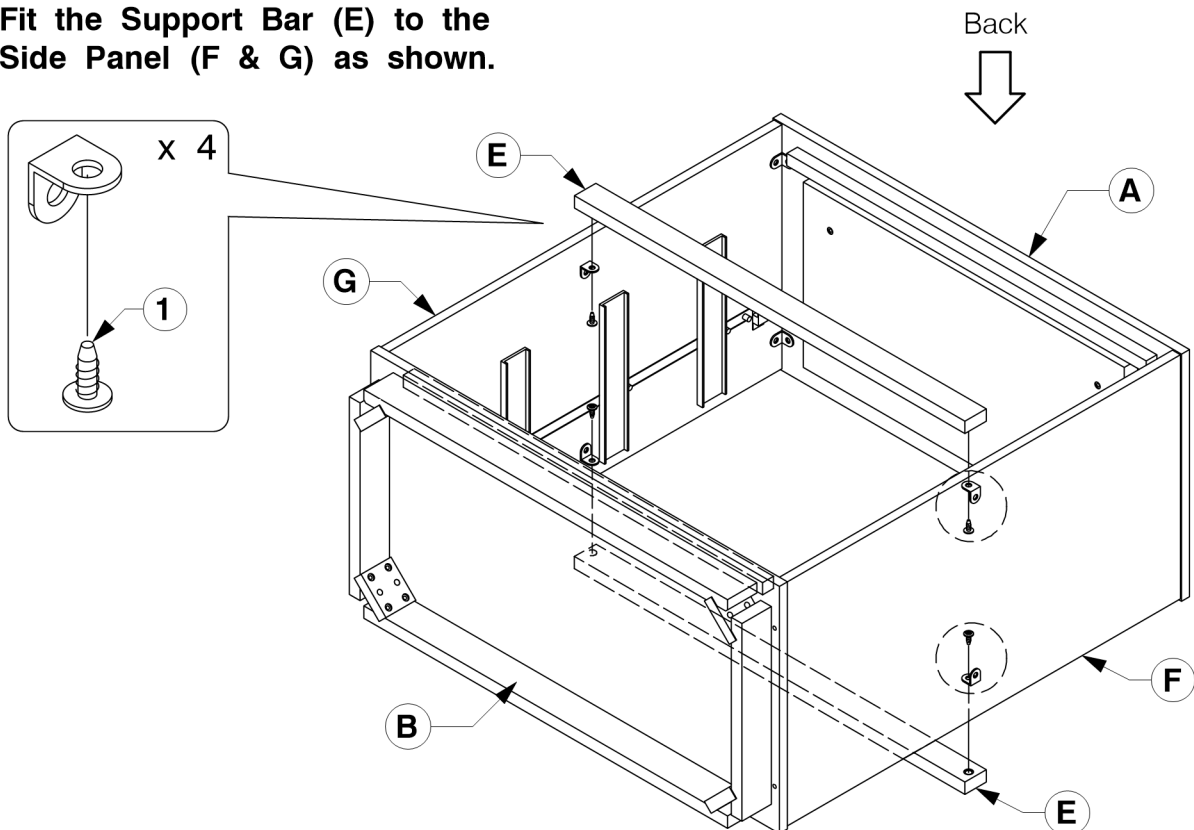
Assembly Instructions

WI-0724

- 8** Assembled the Top Panel (A) & Bottom Panel (B) to the Side Panel (F & G).



- 9** Fit the Support Bar (E) to the Side Panel (F & G) as shown.

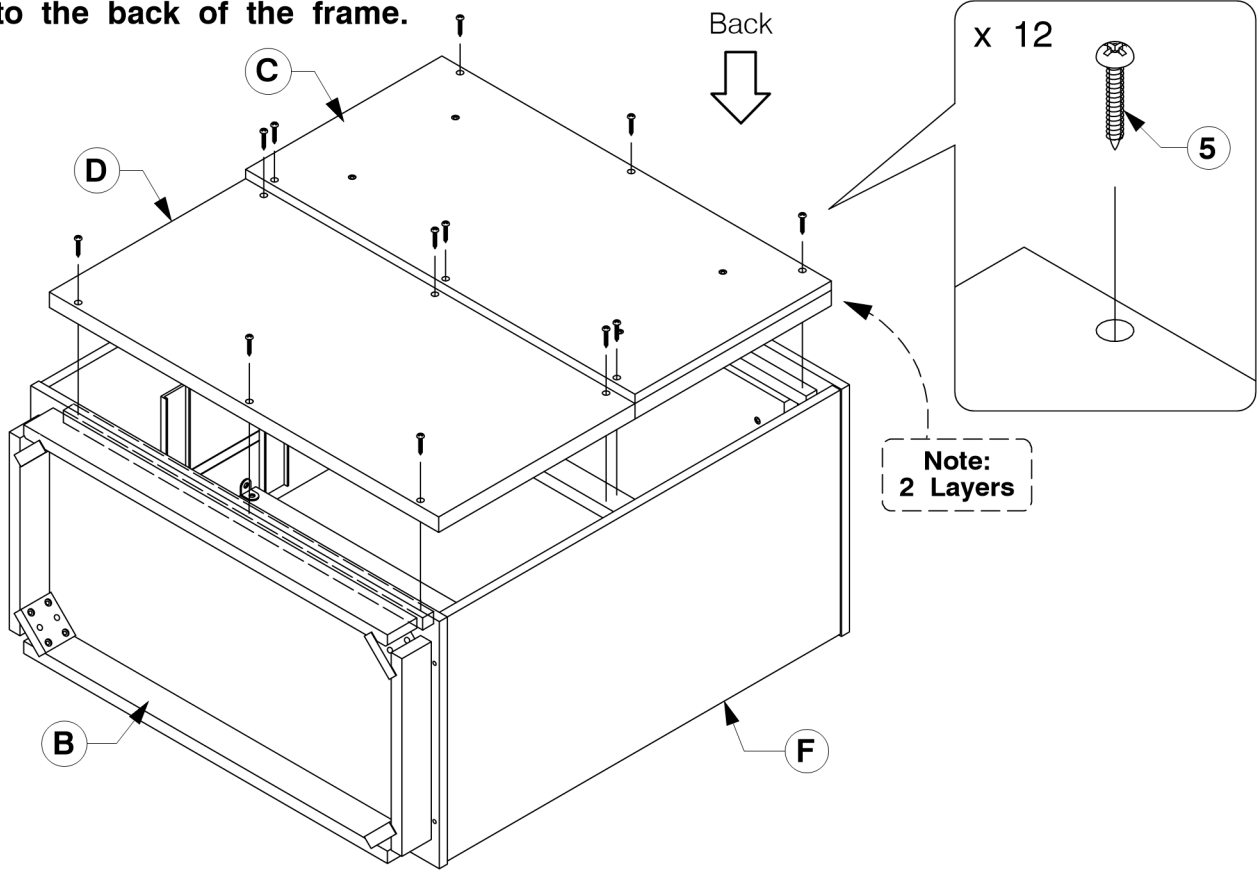


9012 4 Drawer Chest

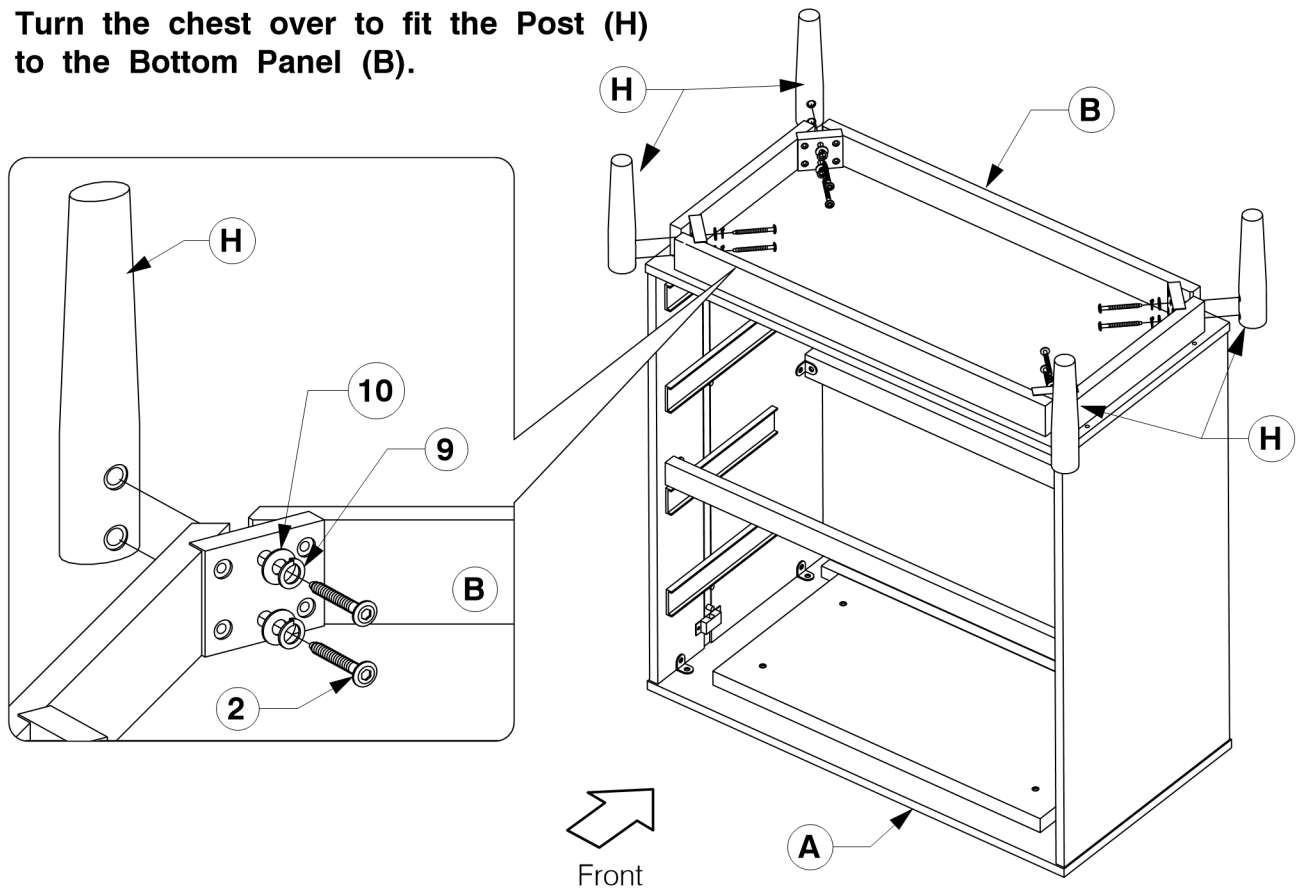
Assembly Instructions

WI-0724

- 10** Fit the Back Panel- Top & Bottom (C & D) to the back of the frame.



- 11** Turn the chest over to fit the Post (H) to the Bottom Panel (B).

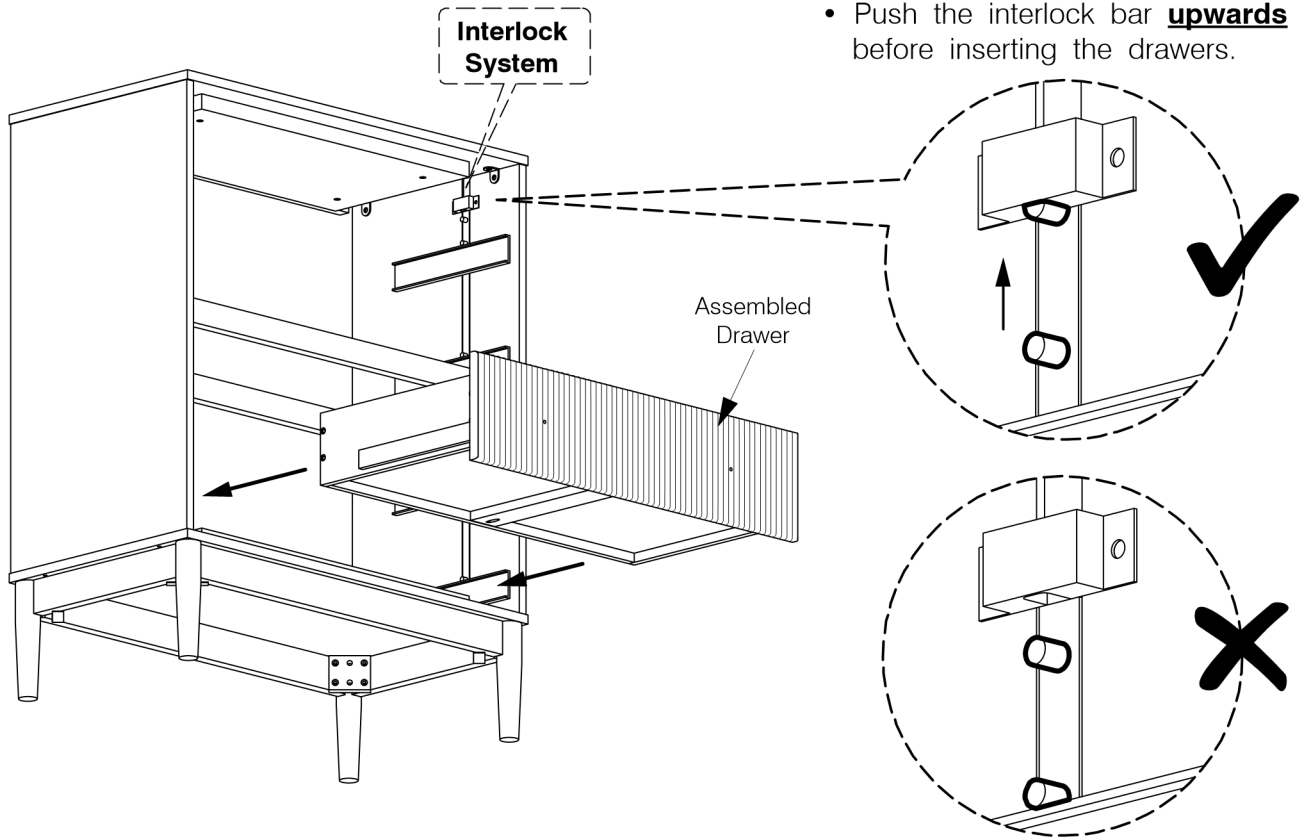


9012 4 Drawer Chest

Assembly Instructions

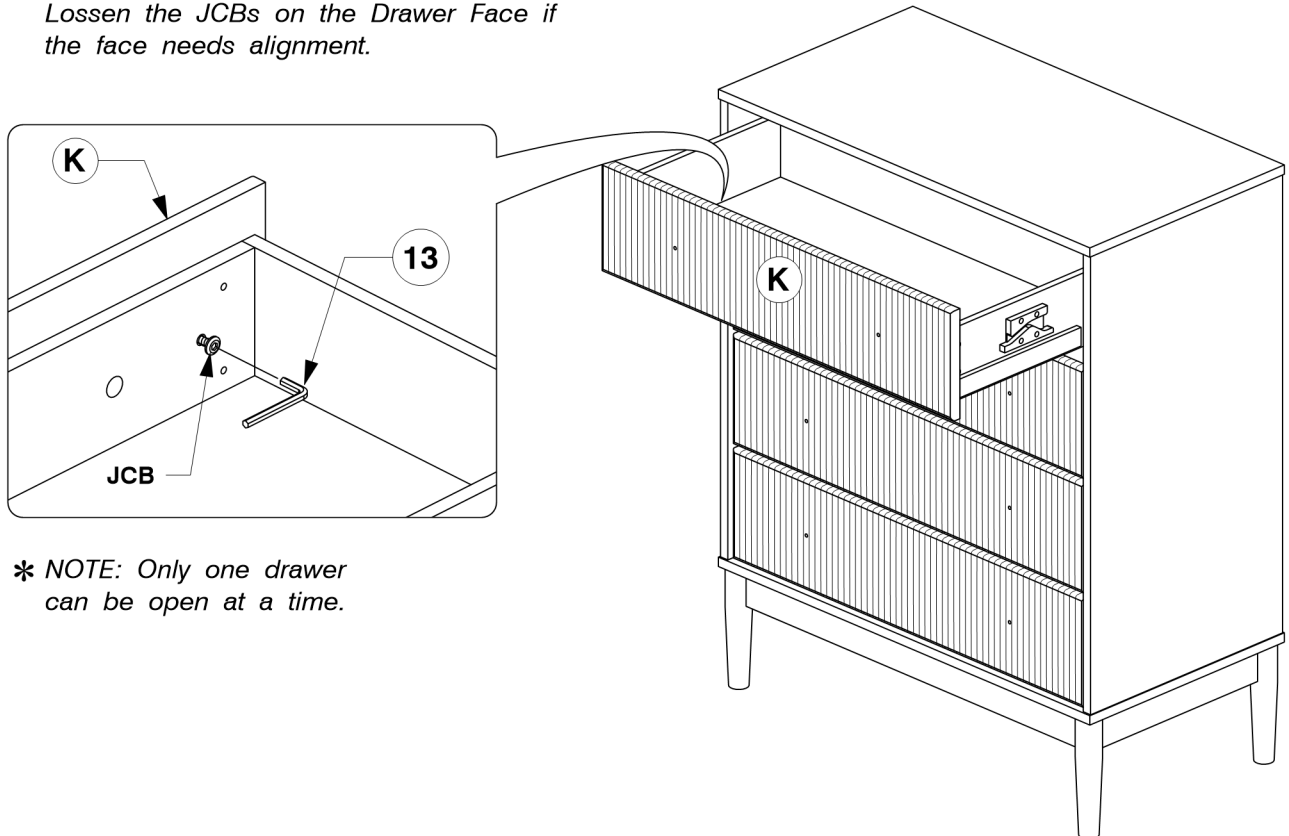
WI-0724

12 Install the Drawer.



13 Fit and adjust the Drawer Face (K).

* NOTE: Before fitting the Wood Screws.
Loosen the JCBs on the Drawer Face if
the face needs alignment.



* NOTE: Only one drawer
can be open at a time.

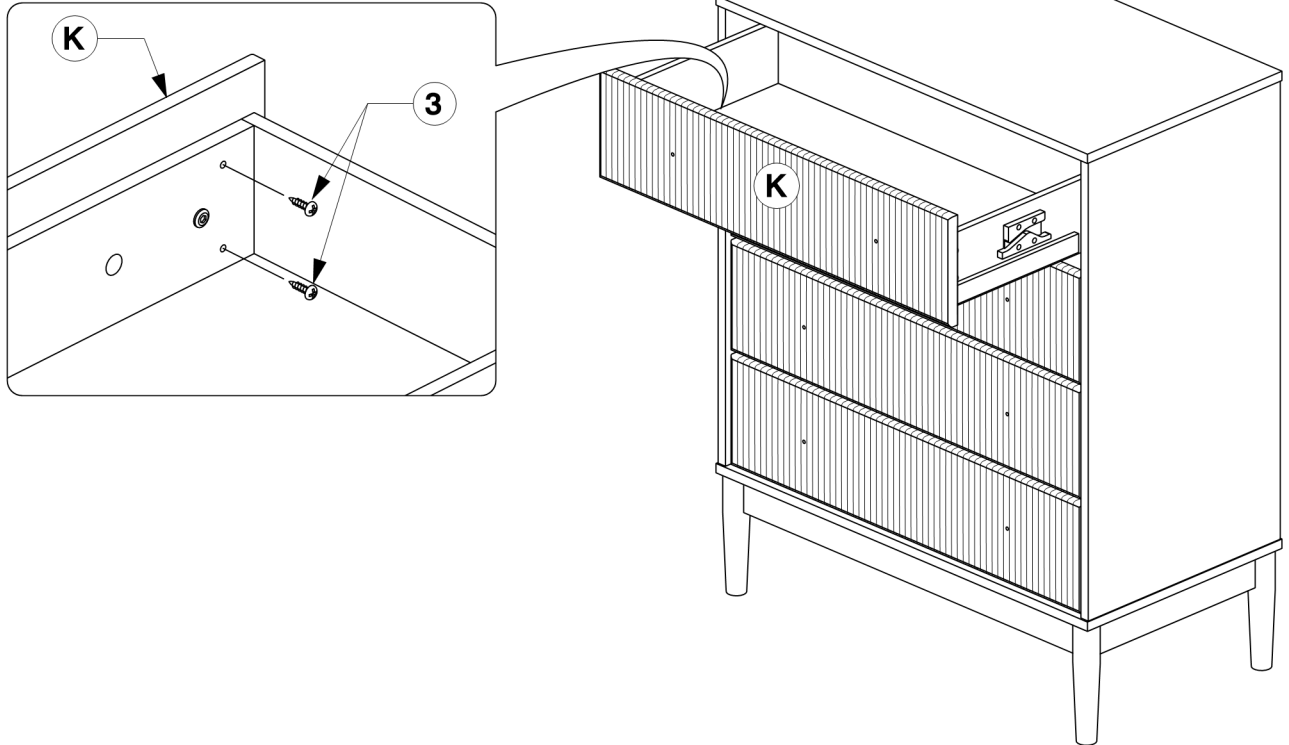
9012 4 Drawer Chest

Assembly Instructions

WI-0724

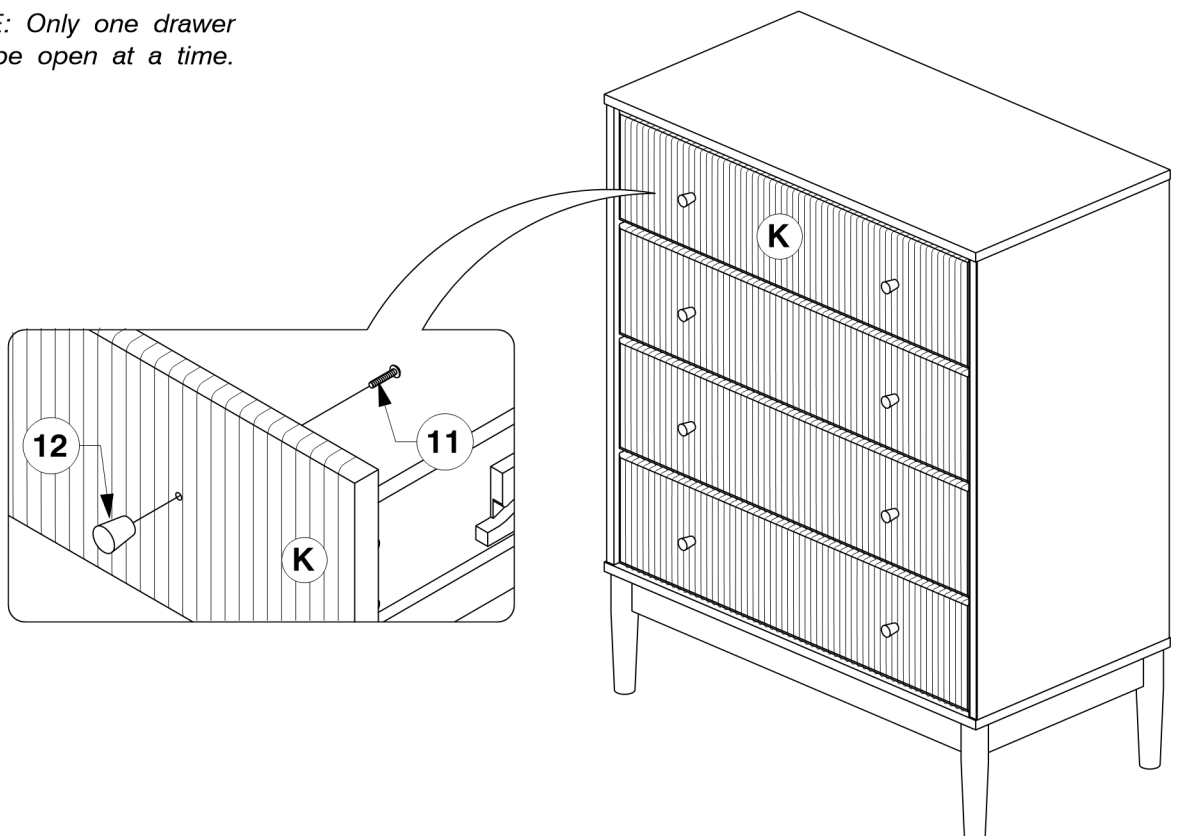
- 14** After the Drawer Faces (K) are aligned, secure with wood screws.

* NOTE: Only one drawer can be open at a time.



- 15** Finally, fit the Handle to the Drawer Face (K).

* NOTE: Only one drawer can be open at a time.



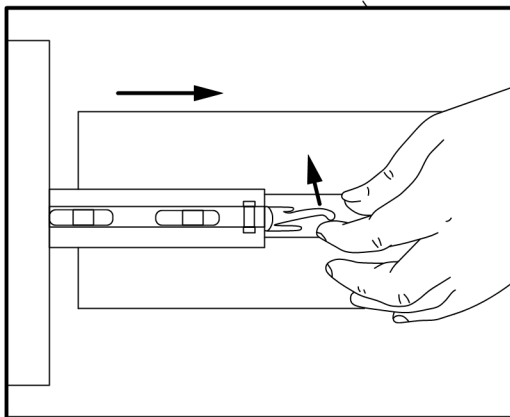
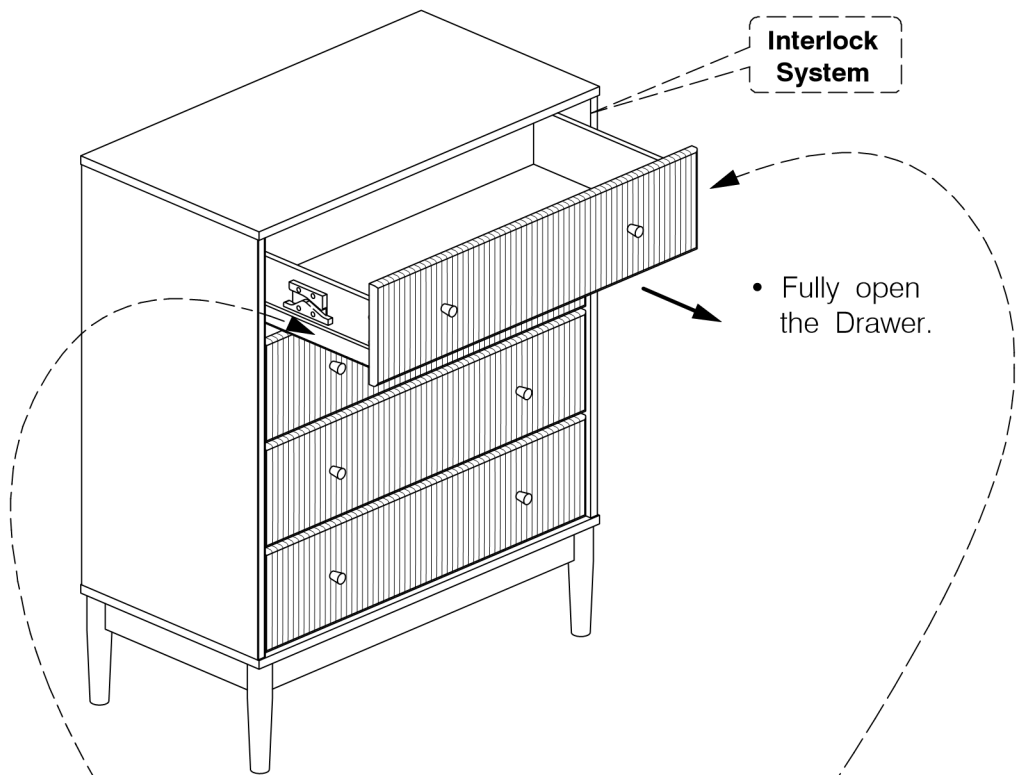
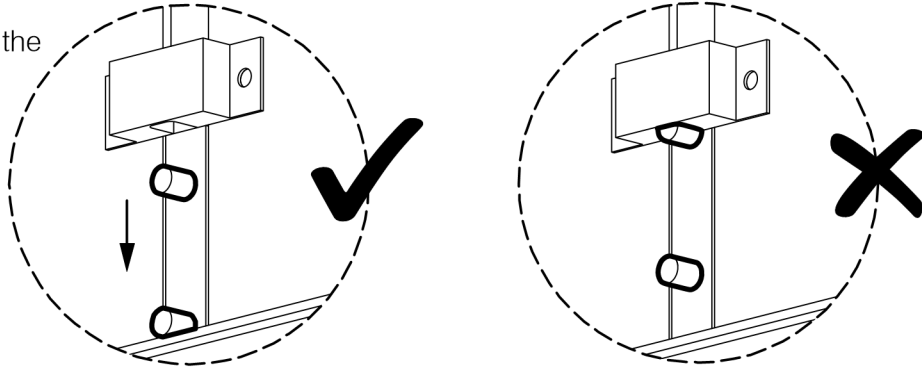
9012 4 Drawer Chest

Assembly Instructions

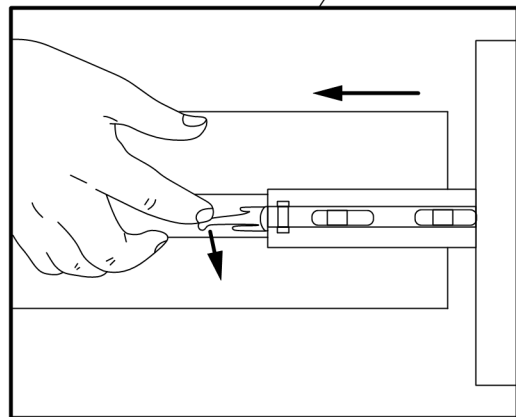
WI-0724

16 Remove the Drawers.

- After removing the top drawer, push the interlock bar **down**. Then remove the lower drawers.



- Lift the **LEFT** side clip up.



- Push **RIGHT** side clip down.