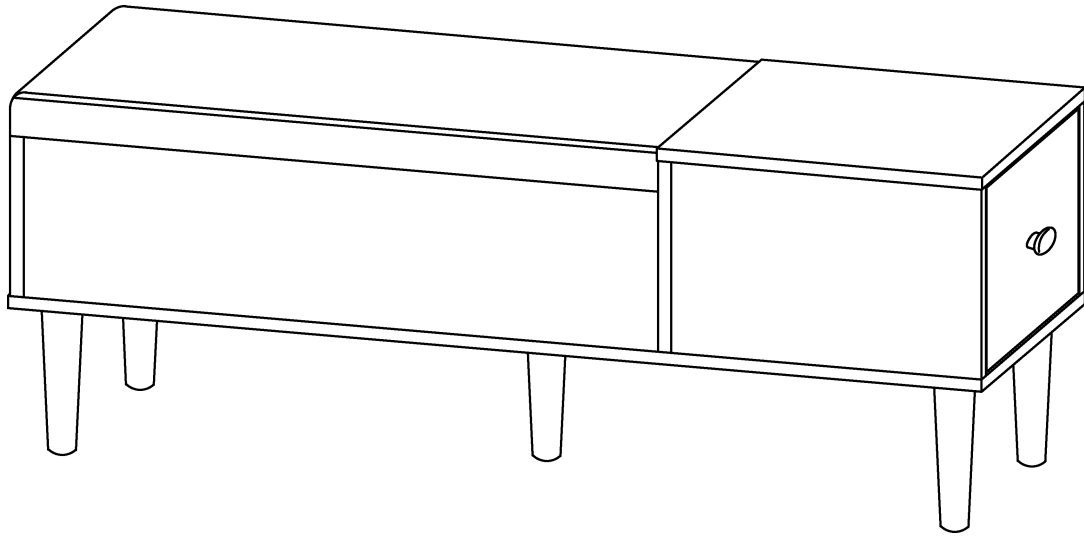
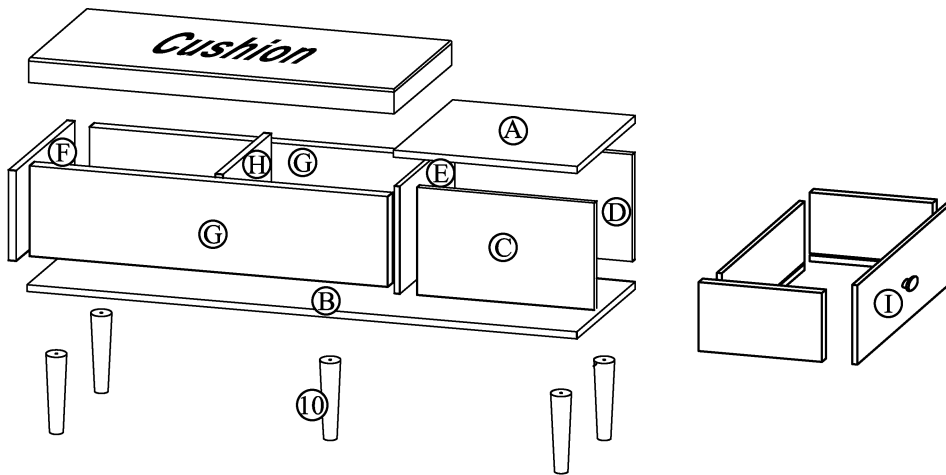


Assembly Instruction



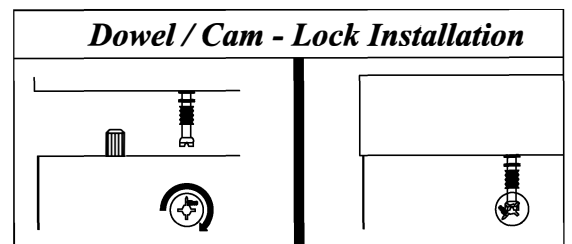
Part List



Packing

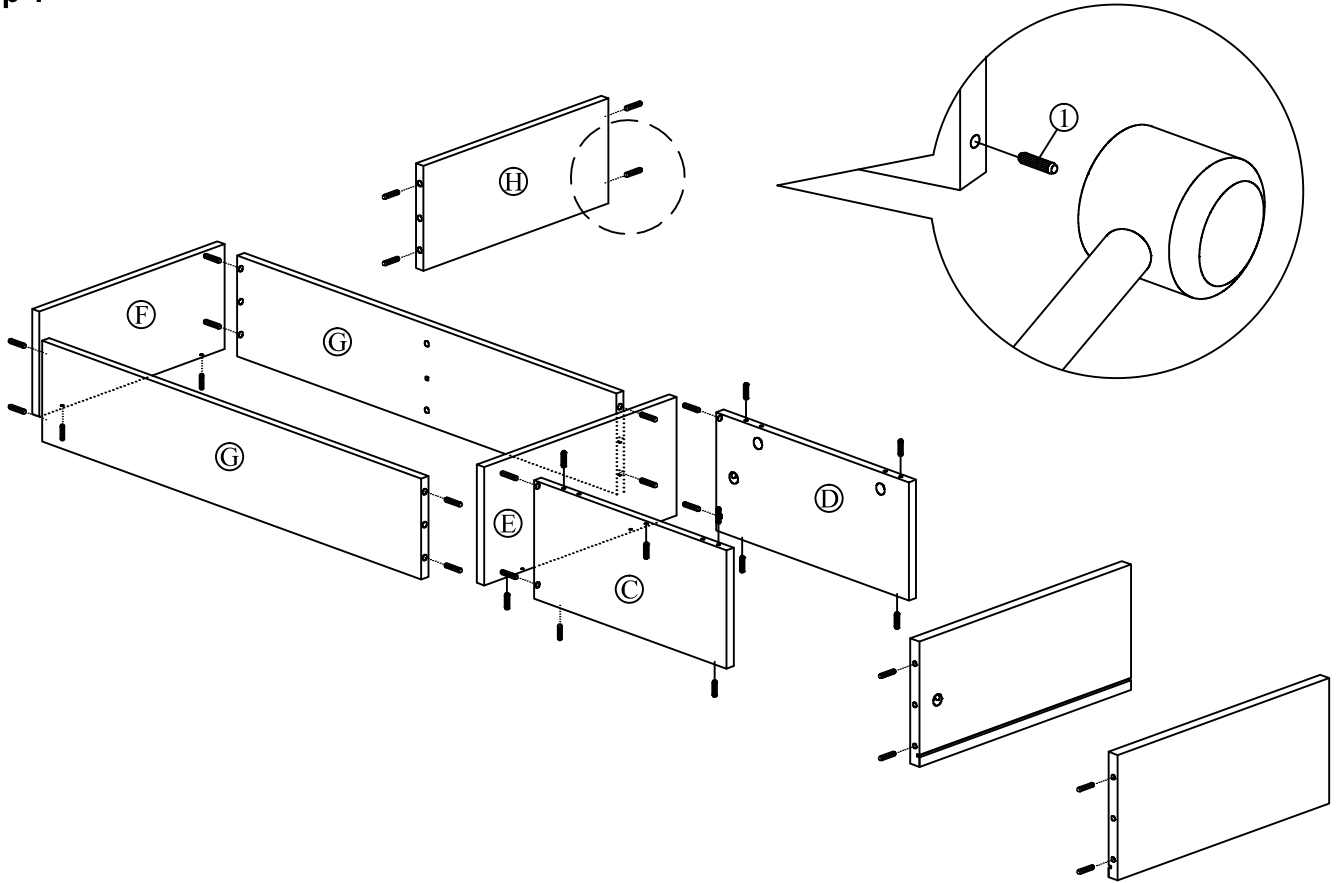
Hardware List			
No.	SHAPE	DESCRIPTION	Qty.
1		8x25mm Wood Dowel	32Pcs
2		15MM Myfix Minifix	14Sets
3		M5x8mm Screw (Euro Screw)	4Pcs
4		M3.5x15mm Screw	4Pcs
5		M4x38mm Screw	20Pcs
6		Jcbc 'W' M6 x 40mm	5Pcs
7		2 Pin Stopper	2 Pcs
8		15mm Minifix Cap	8 Pcs

9		Metal Drawer Slide 14" (350mm)	1 Set
10		Wooden Leg H 185mm	5Pcs
11		Handle Knob (Plastic) M3.6x24mm Screw	1 Set
12		Allen Key	1Pc

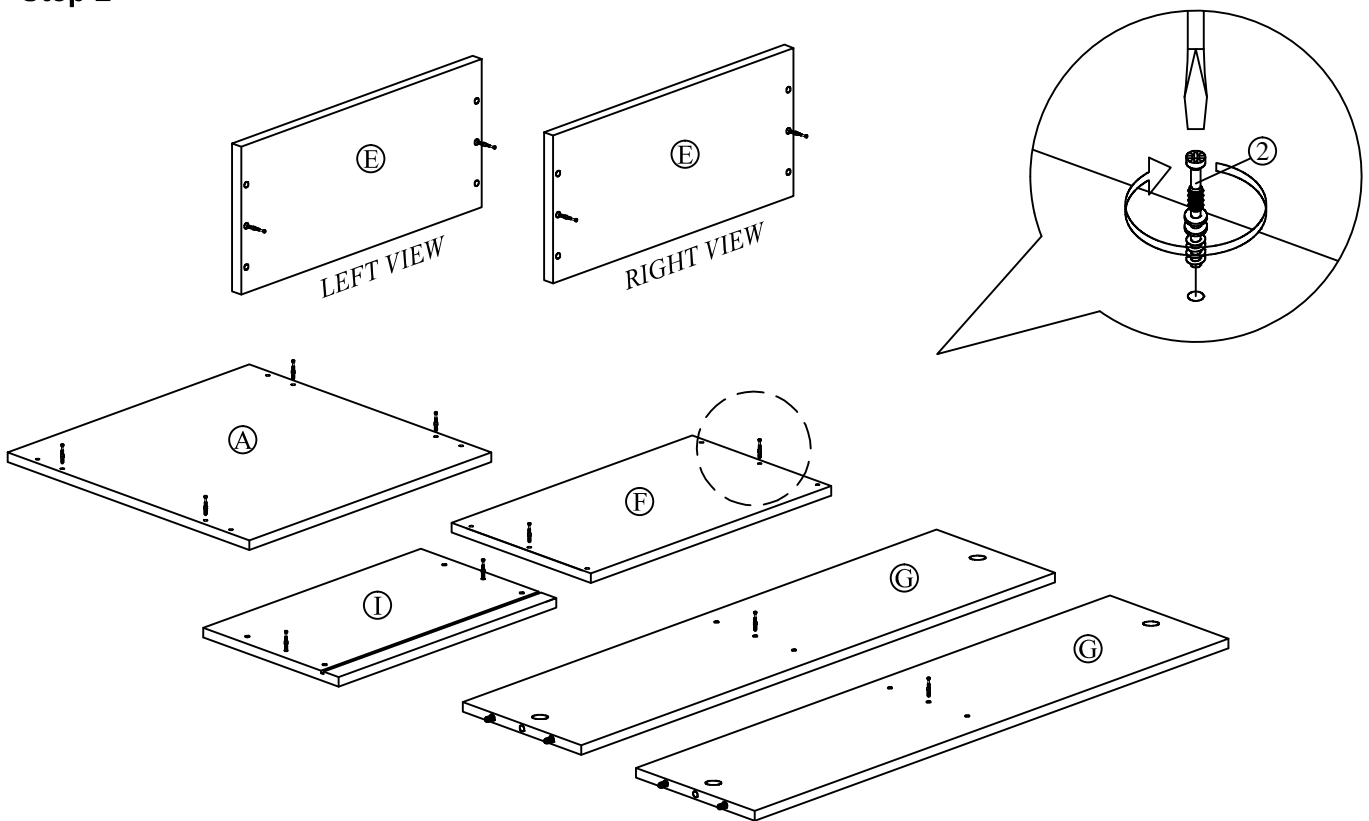


Assembly Instruction

Step 1

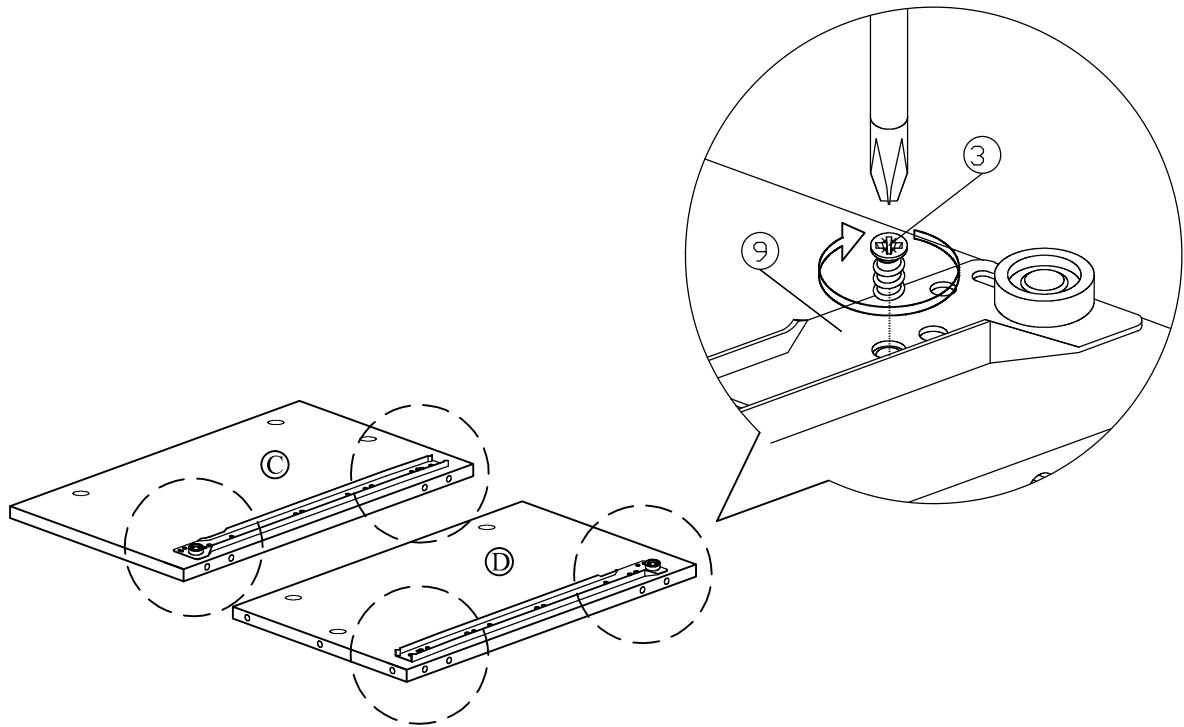


Step 2

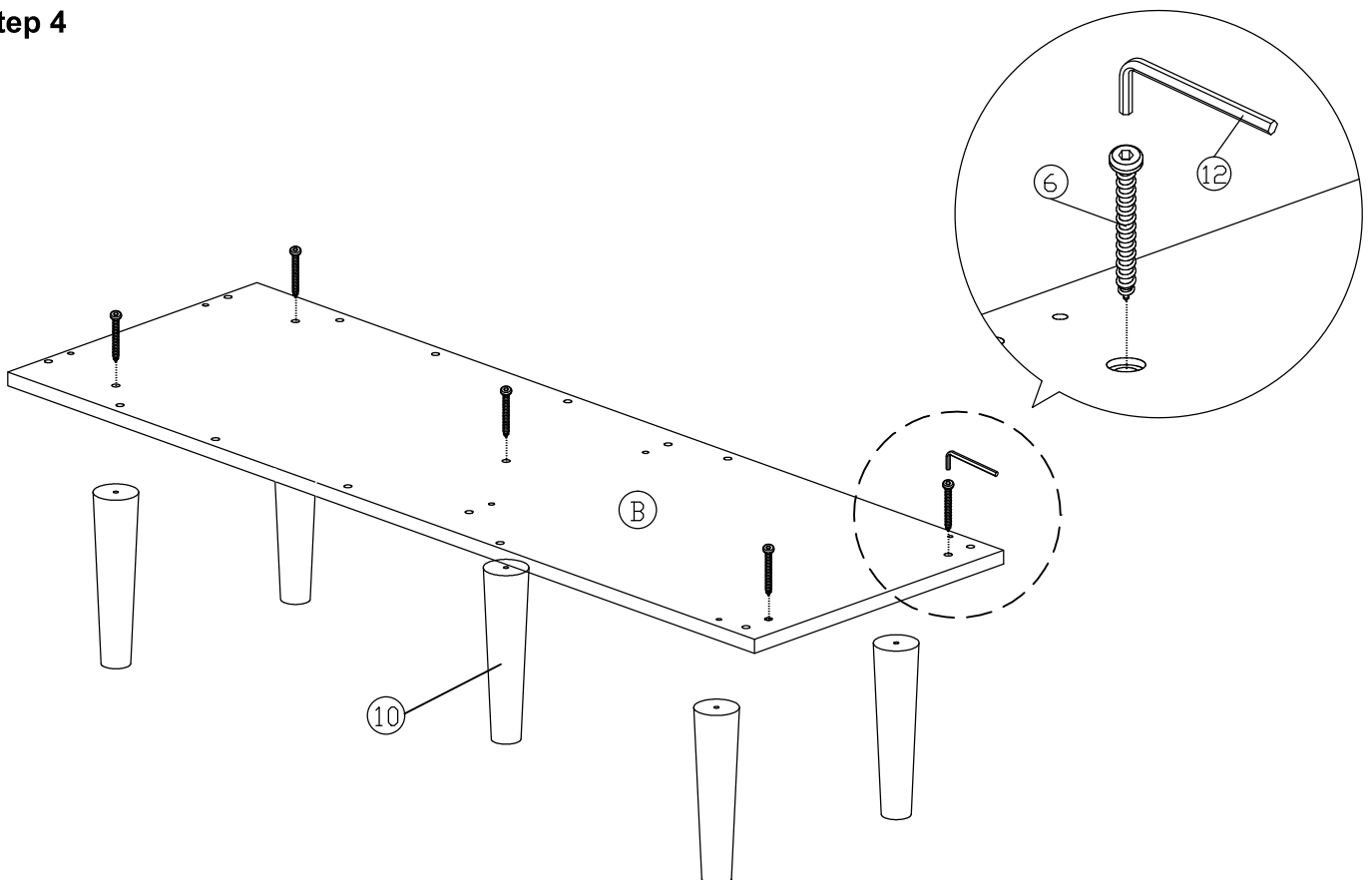


Assembly Instruction

Step 3

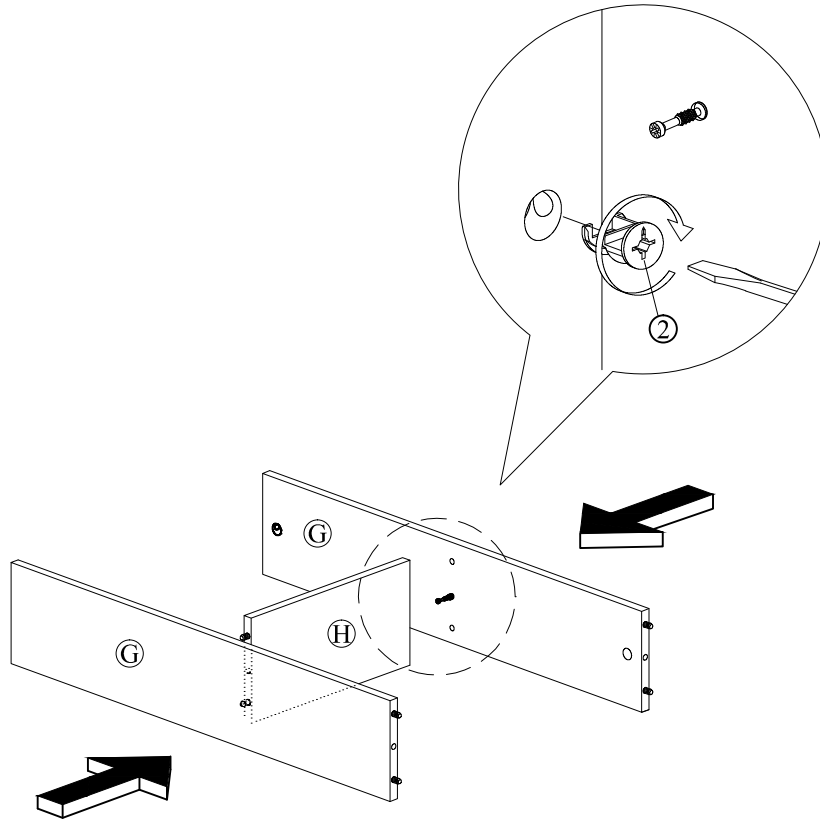


Step 4

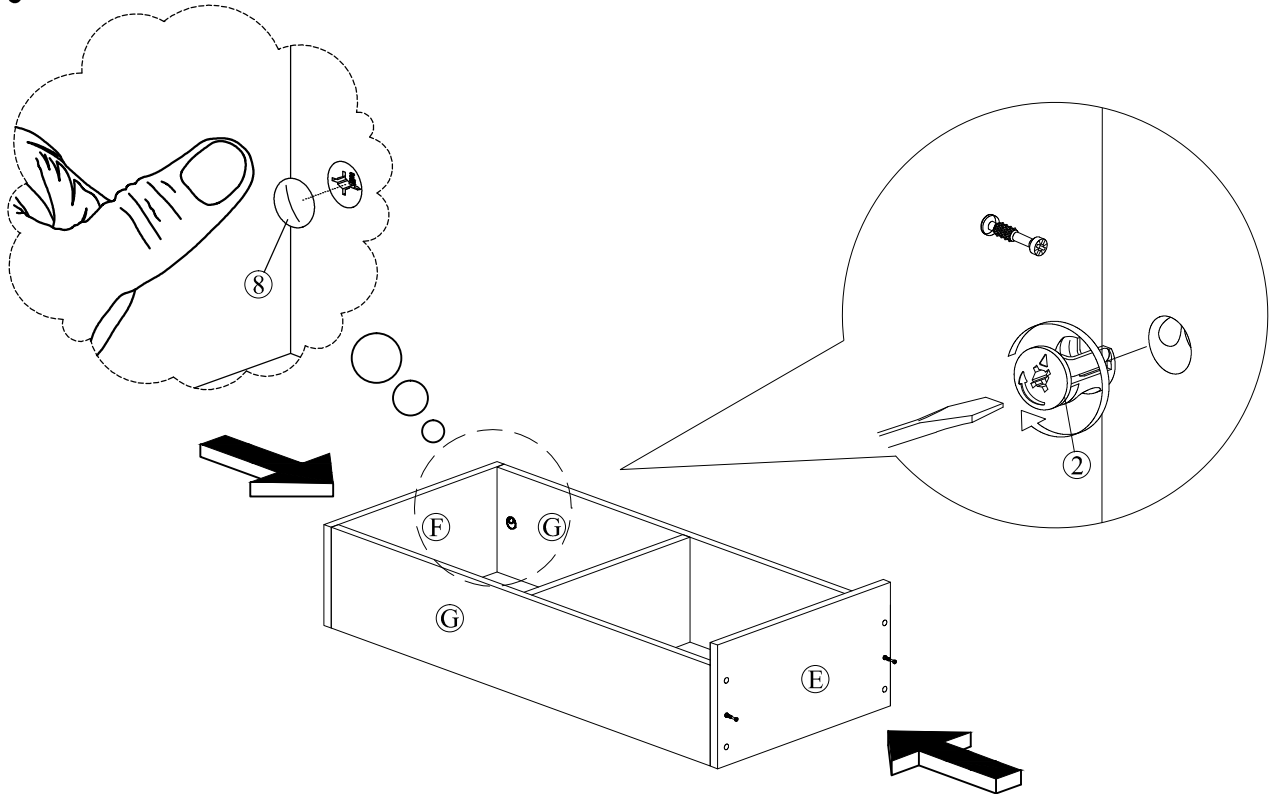


Assembly Instruction

Step 5

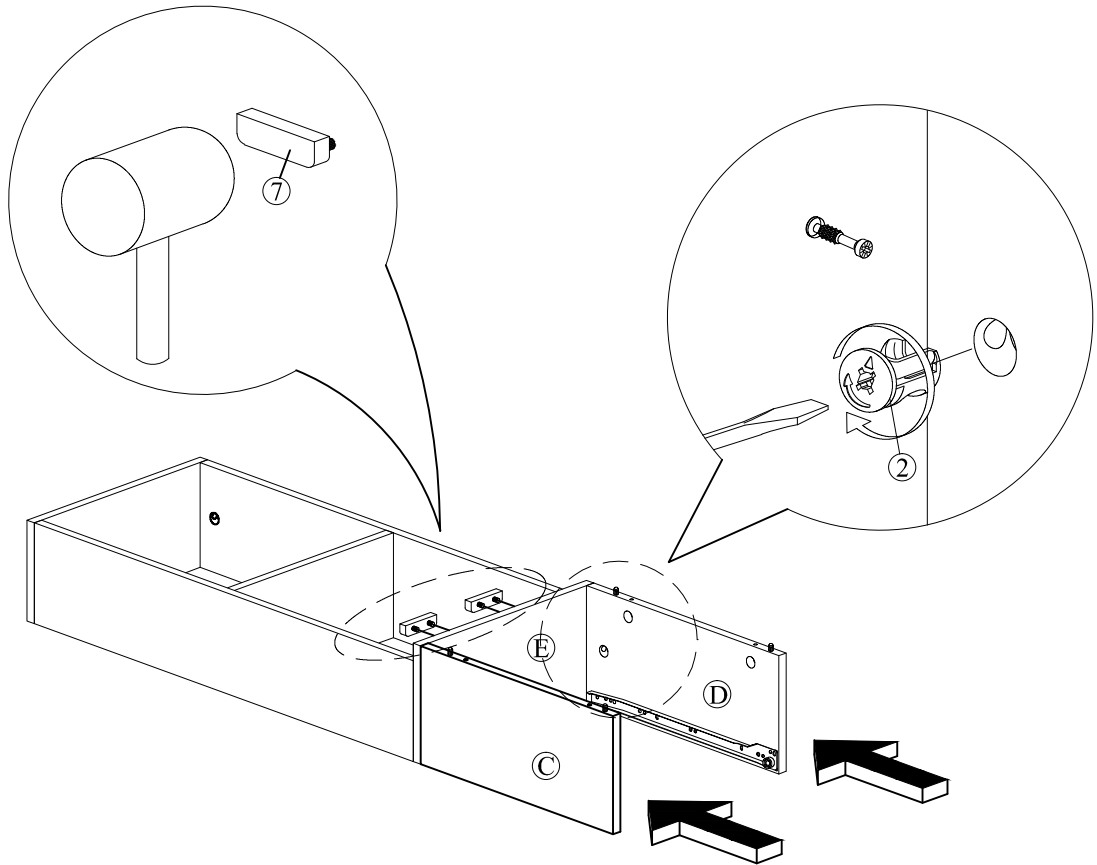


Step 6

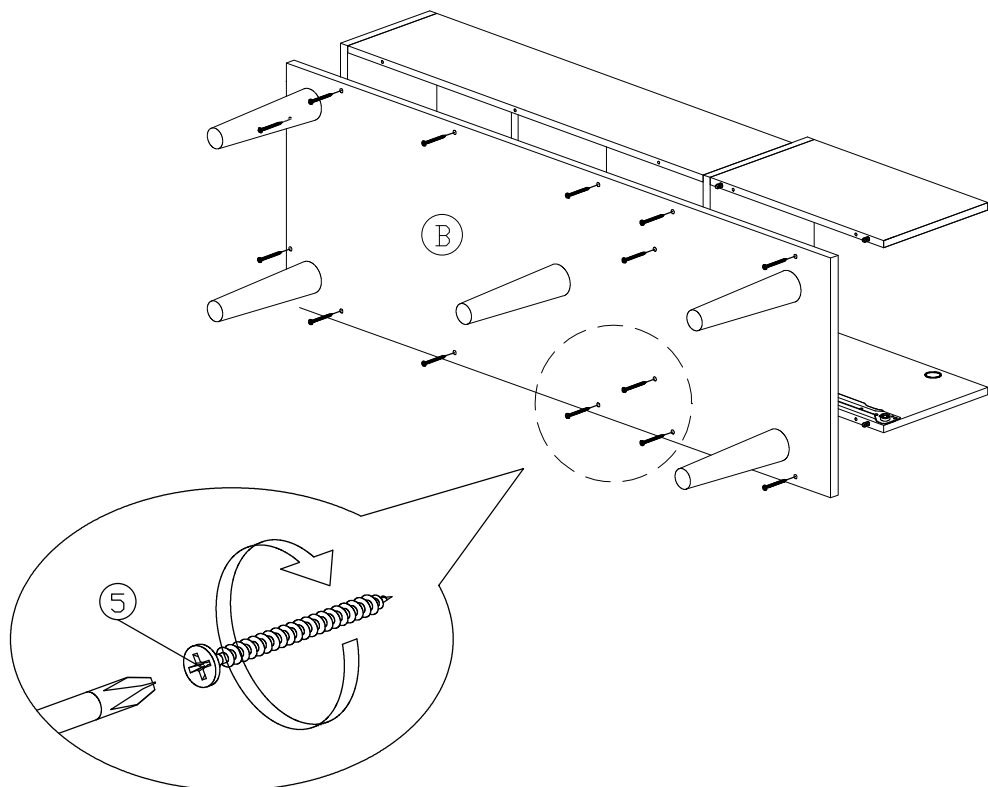


Assembly Instruction

Step 7

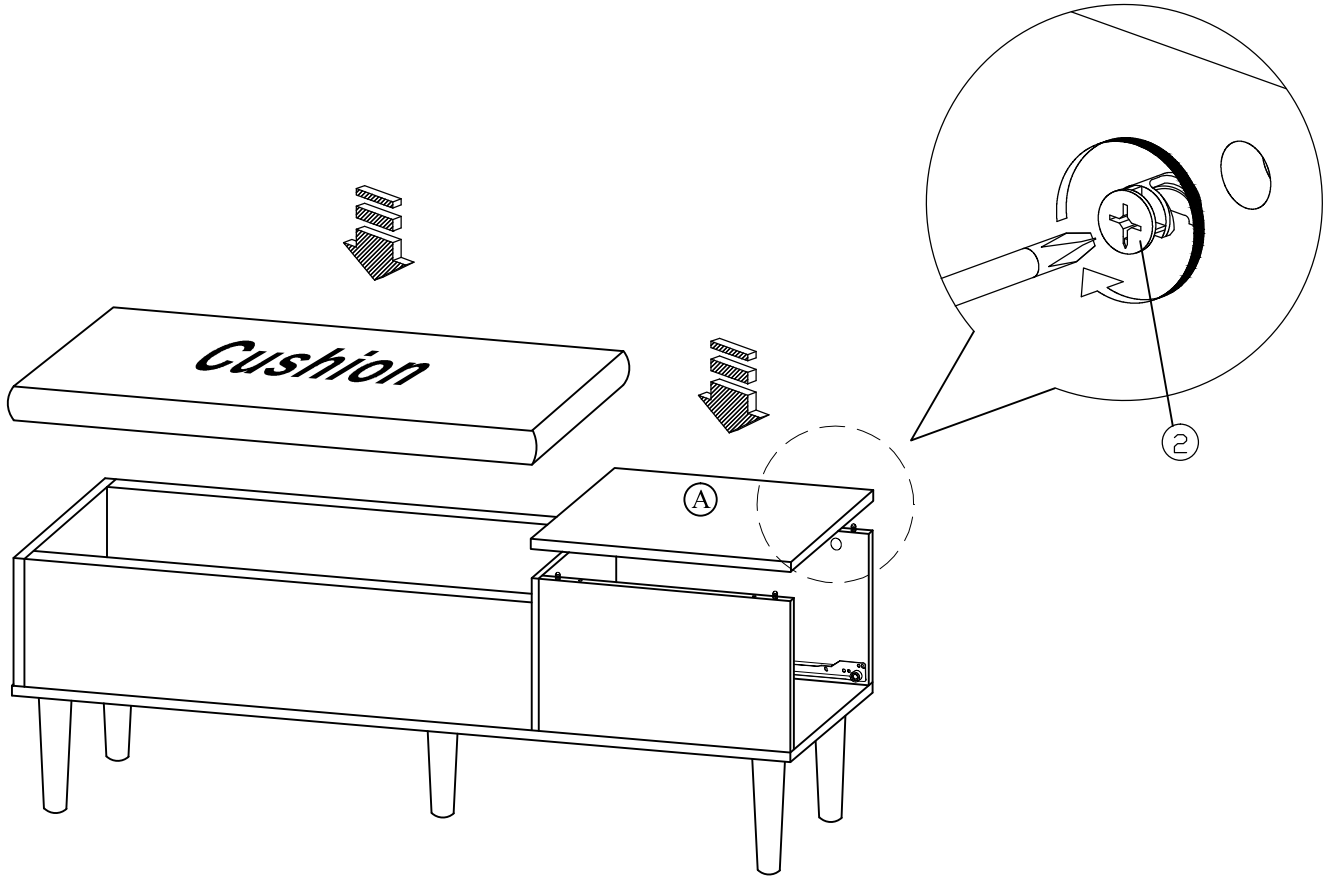


Step 8

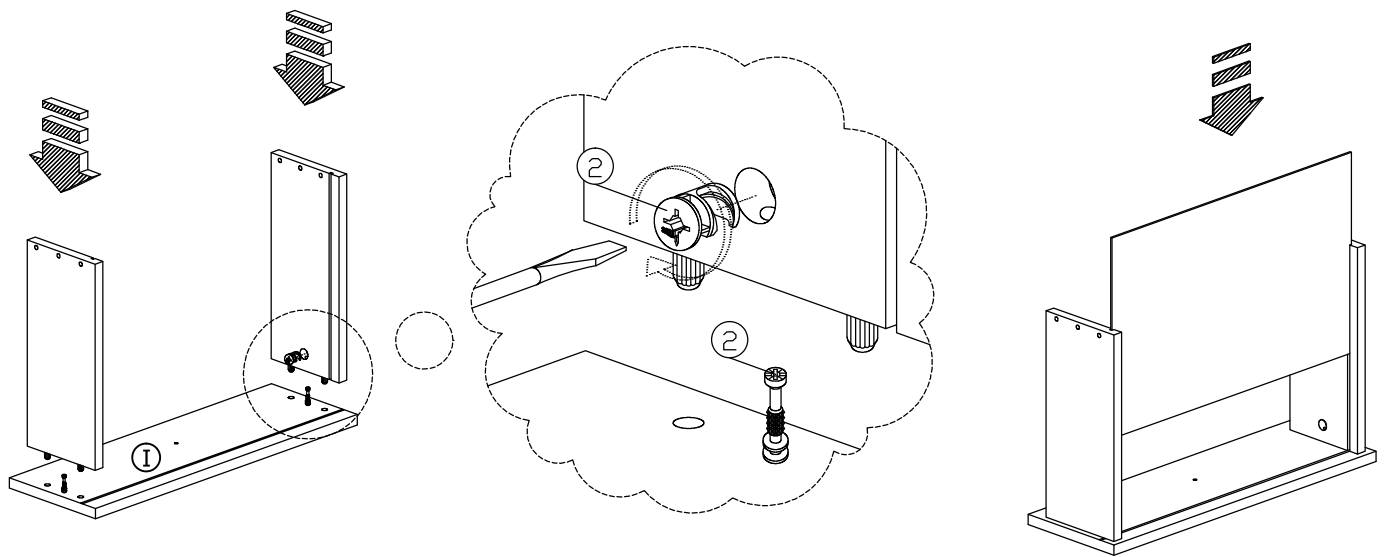


Assembly Instruction

Step 9

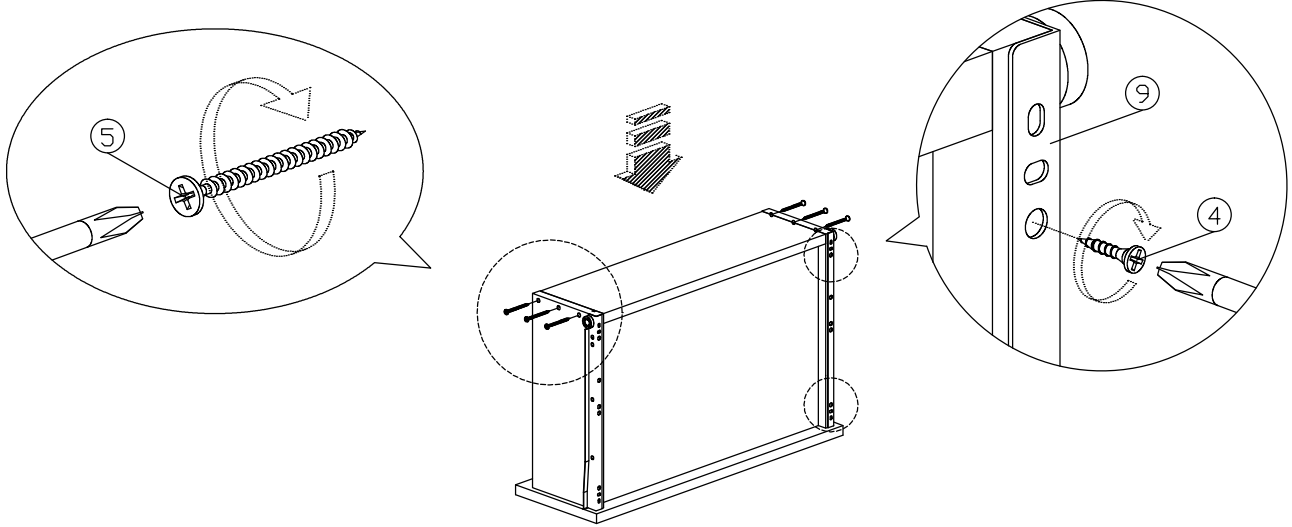


Step 10

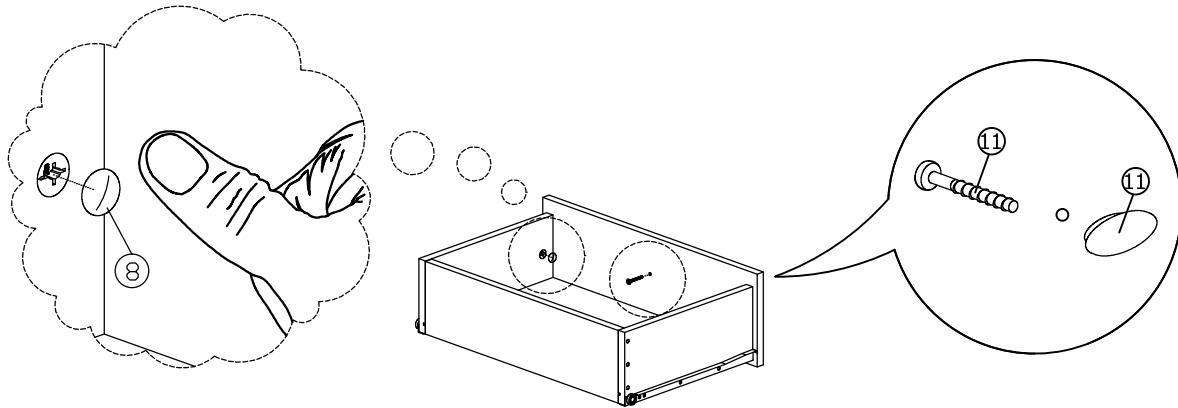


Assembly Instruction

Step 11



Step 12



Step 13

