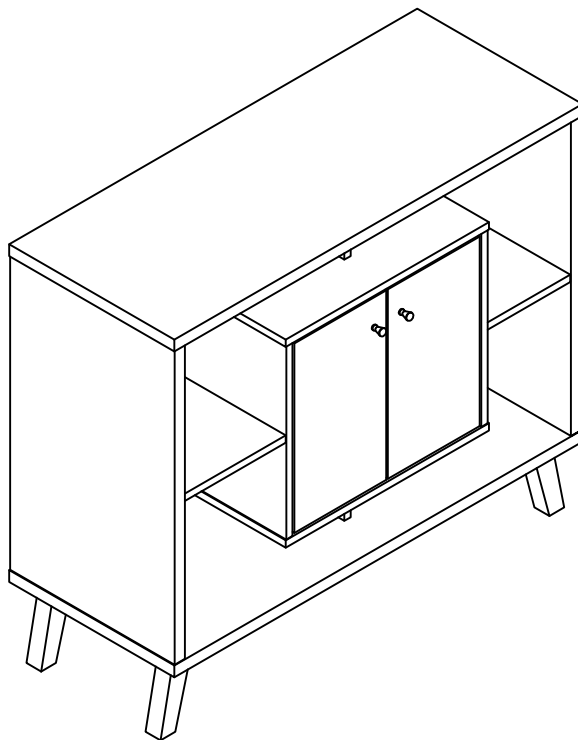


ASSEMBLY INSTRUCTIONS



953321
ITEM: **953321**
Accent Cabinet

ITEM:953321

ASSEMBLY INSTRUCTIONS

ASSEMBLY TIPS:

- 1.Remove hardware from box and sort by size.
- 2.Please check to see that all hardware and parts are present prior to start of assembly.
- 3.Please follow attached instructions in the same sequence as numbered to assure fast & easy assembly.



Warning !!

1. Don't attempt to repair or modify parts that are broken or defective. Please contact the store immediately.
2. This product is for home use only and not intended for commercial establishment.



ASSEMBLY TIME

30 MINUTES

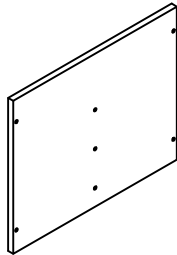
PARTS IDENTIFICATION

(A) TOP		1 PC	(E) TOP DIVIDER PANEL		1 PC
(B) LEFT SIDE PANEL		1 PC	(F) MIDDLE SHELF		1 PC
(C) RIGHT SIDE PANEL		1 PC	(G) LEFT DIVIDER PANEL		1 PC
(D) BOTTOM PANEL		1 PC	(H) RIGHT DIVIDER PANEL		1 PC

ITEM:953321

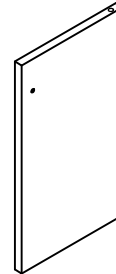
PARTS IDENTIFICATION

(I) LOWER SHELF



1 PC

(N) RIGHT DOOR



1 PC

(J) LOWER DIVIDER SHELF



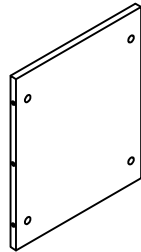
1 PC

(O) FRONT LEFT LEG/REAR RIGHT LEG



2 PCS

(K) LEFT SHELF



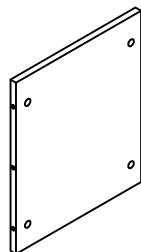
1 PC

(P) FRONT RIGHT LEG/REAR LEFT LEG



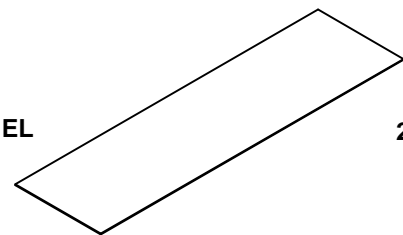
2 PCS

(L) RIGHT SHELF



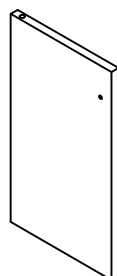
1 PC

(Q) BACK PANEL



2 PCS

(M) LEFT DOOR



1 PC

ITEM:953321

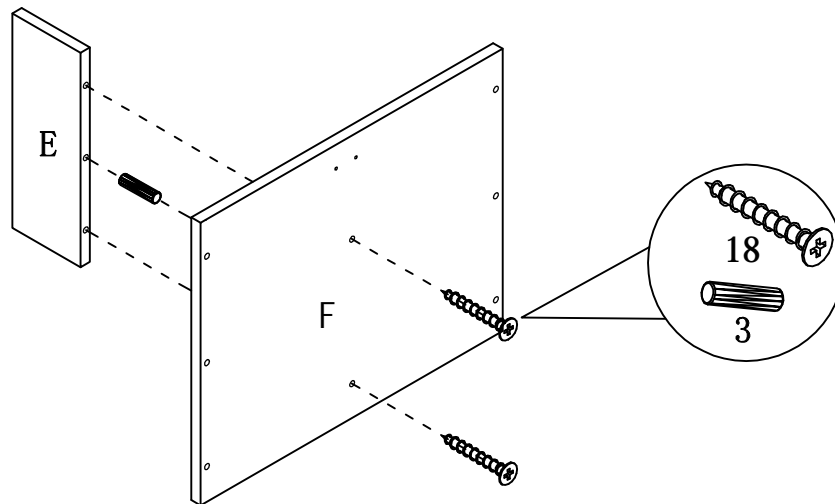
HARDWARE IDENTIFICATION

1	CAMBOLT	L=29mm		20PCS
2	CAMLOCK	Ø15mm		20PCS
3	DOWEL	Ø8X25mm		20PCS
4	WOOD SCREW	Ø7X48mm		4PCS
	HEX SOCKET SCREW	Ø8X35mm		4PCS
	NAIL			30PCS
	ALLEN WRENCH	M5mm		1PC
	KNOB			2PCS
	KNOB SCREW	M4X22mm		2PCS
	DOOR CATCH			1PC
	DOOR CATCH-METAL PIECE			2PCS
	EXTRA SMALL SCREW	Ø3X14mm		4PCS
	SMALL SCREW	Ø3X16mm		2PCS
	DOOR PIN			2PCS
	STICKER	Ø22mm		16PCS
	METAL LEG	80X25X150mm		1PC
	FLAT HEAD SCREW	M6X12mm		2PCS
	EXTRA LARGE SCREW	Ø4X35mm		8PCS
	GLUE	Ø16mm		1PC
	WASHER	Ø16XØ8X1mm		4PCS
	STRAP	197×5×1mm		1PC
	LARGE SCREW	Ø4×25mm		1PC
	WALL SCREW	Ø5×40mm		1PC
	DRYWALL ANCHOR	Ø8×40mm		1PC
	METAL BRACKET	12×12×1mm		2PCS

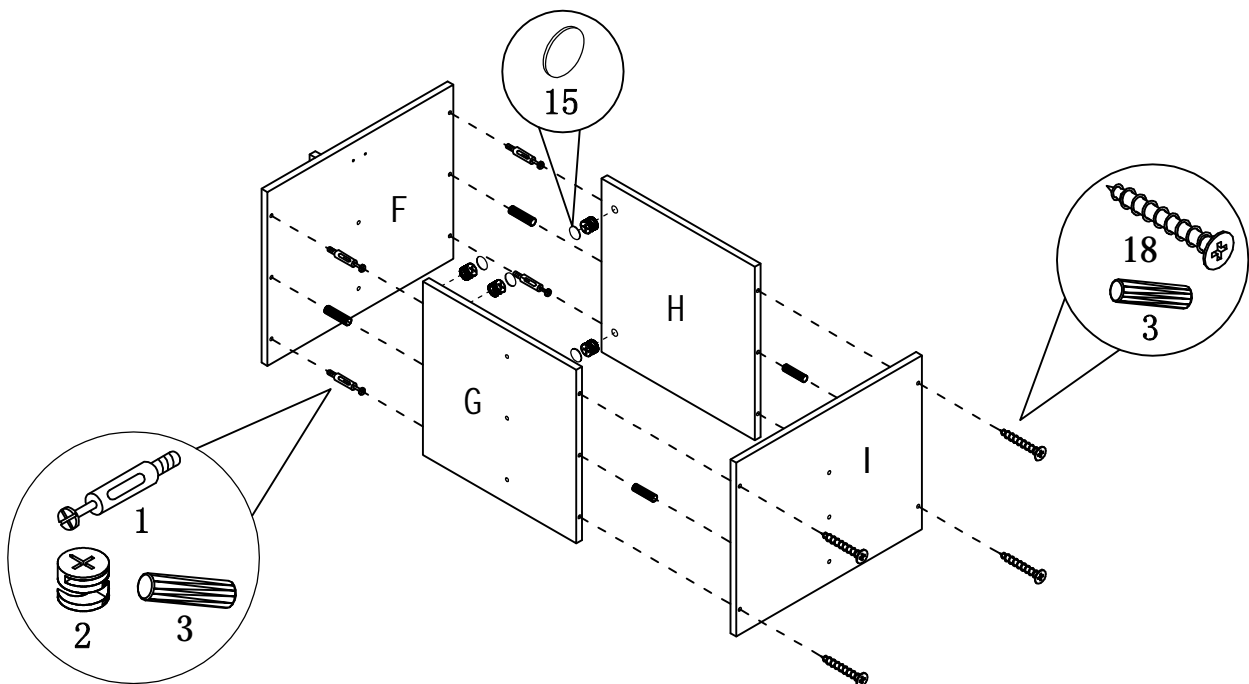
ITEM: 953321

ASSEMBLY INSTRUCTIONS

STEP 1



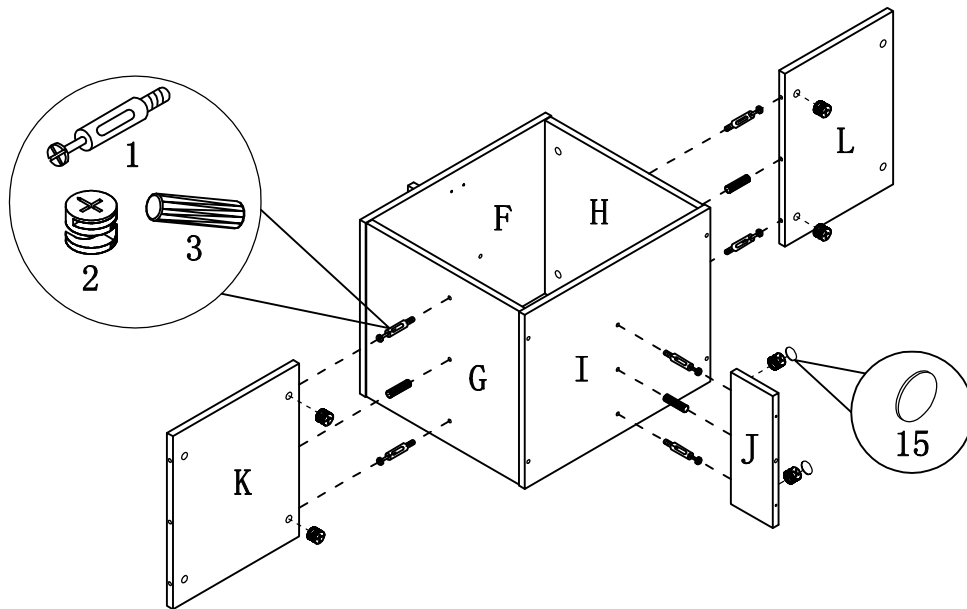
STEP 2



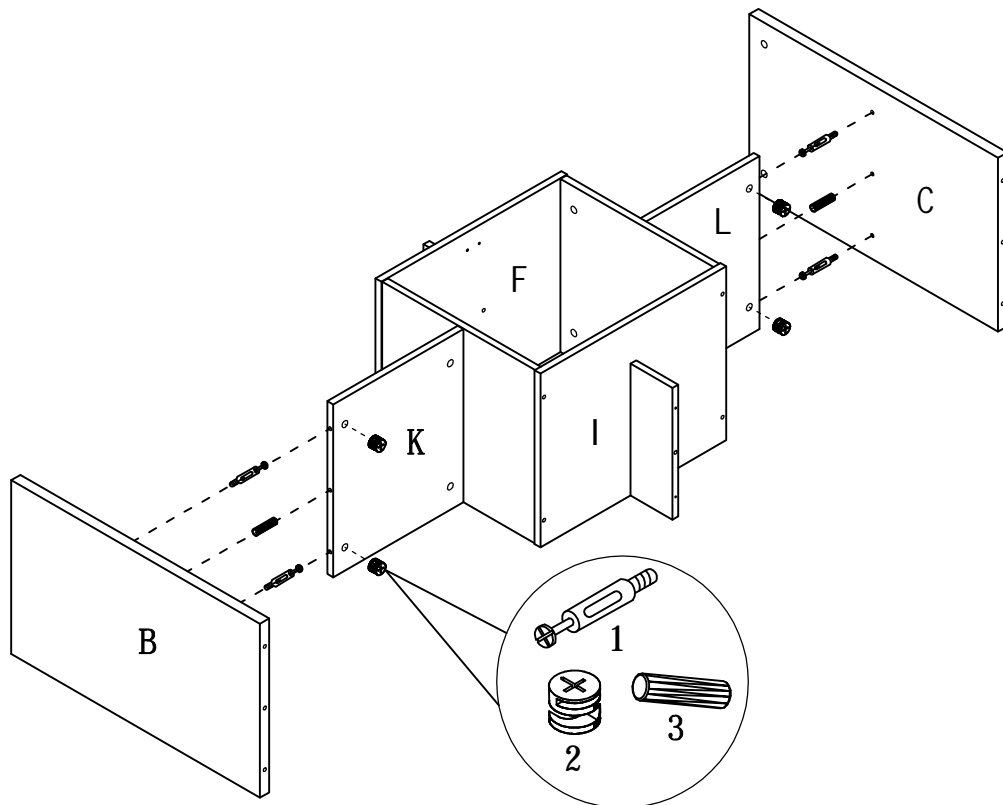
ITEM: 953321

ASSEMBLY INSTRUCTIONS

STEP 3



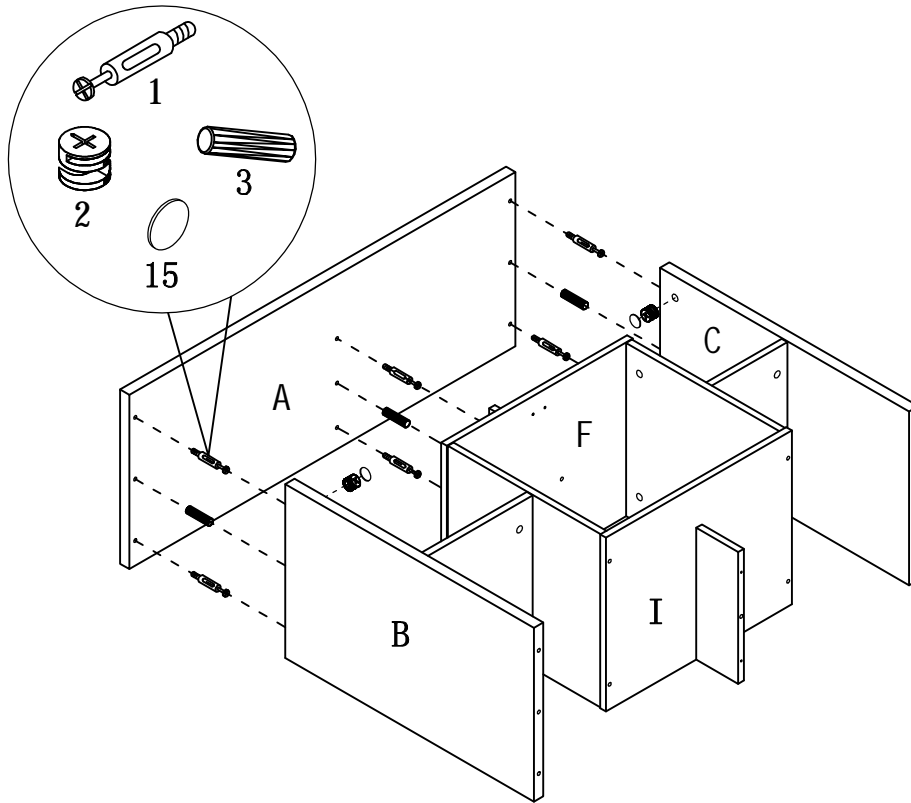
STEP 4



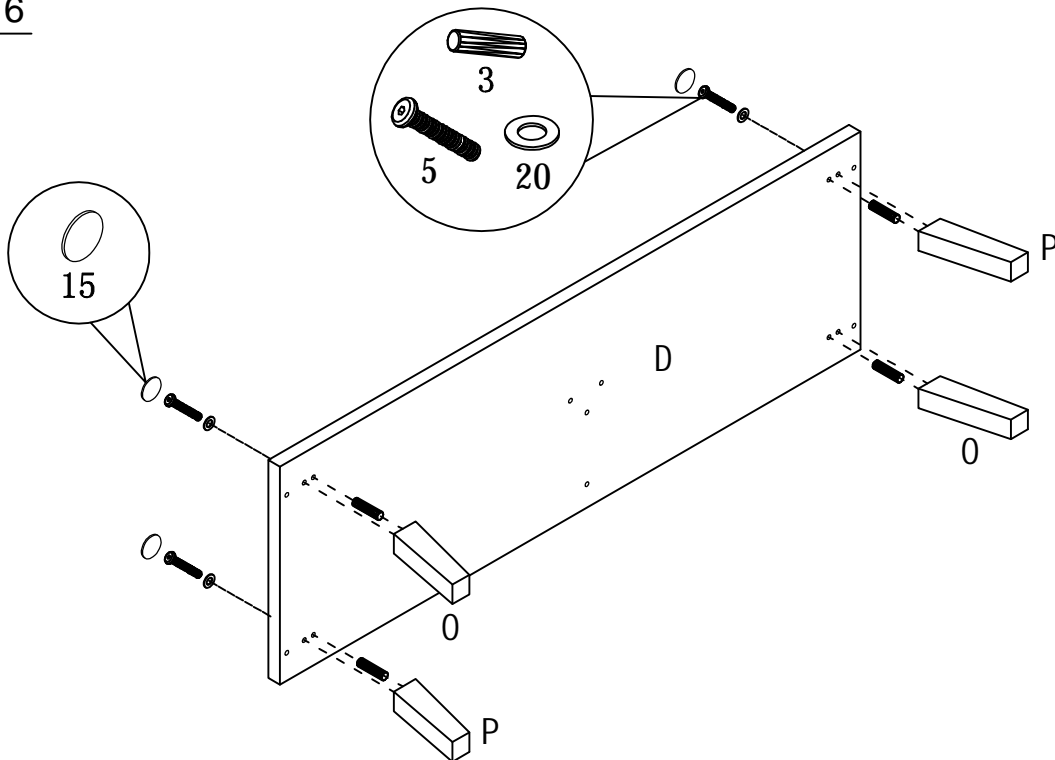
ITEM: 953321

ASSEMBLY INSTRUCTIONS

STEP 5



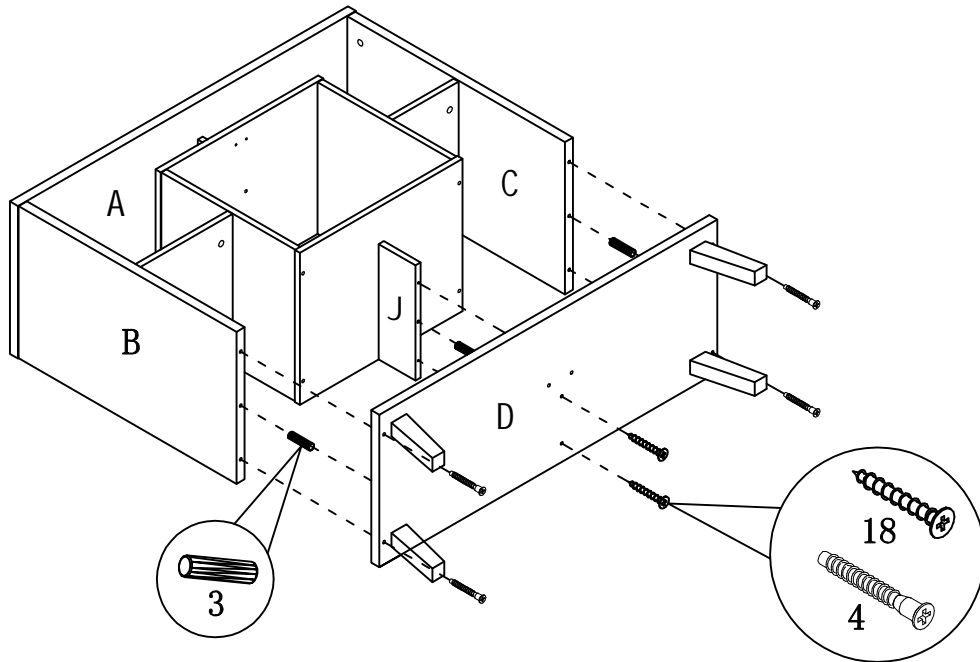
STEP 6



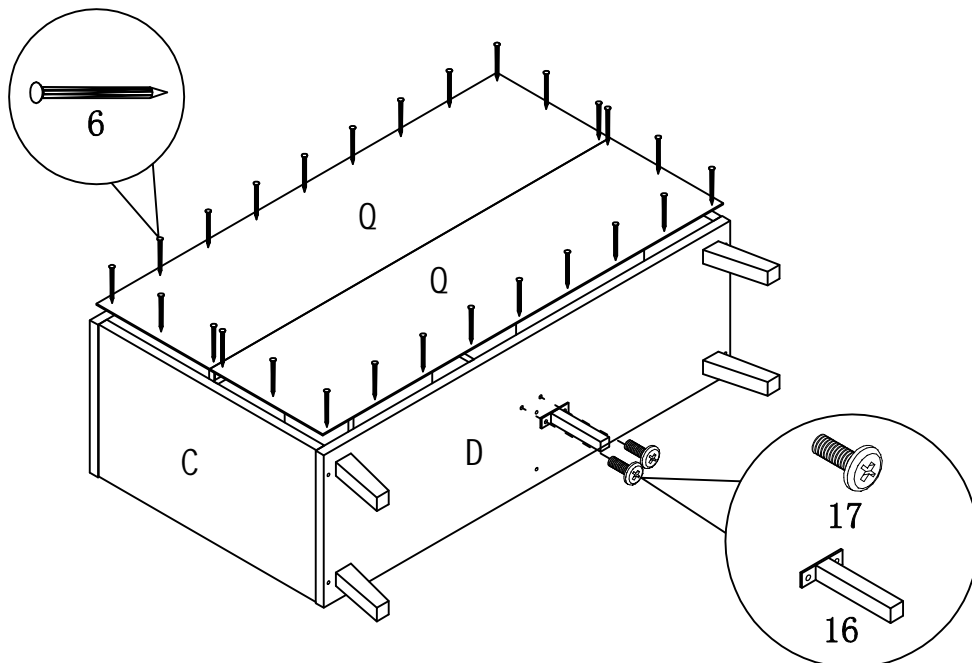
ITEM: 953321

ASSEMBLY INSTRUCTIONS

STEP 7



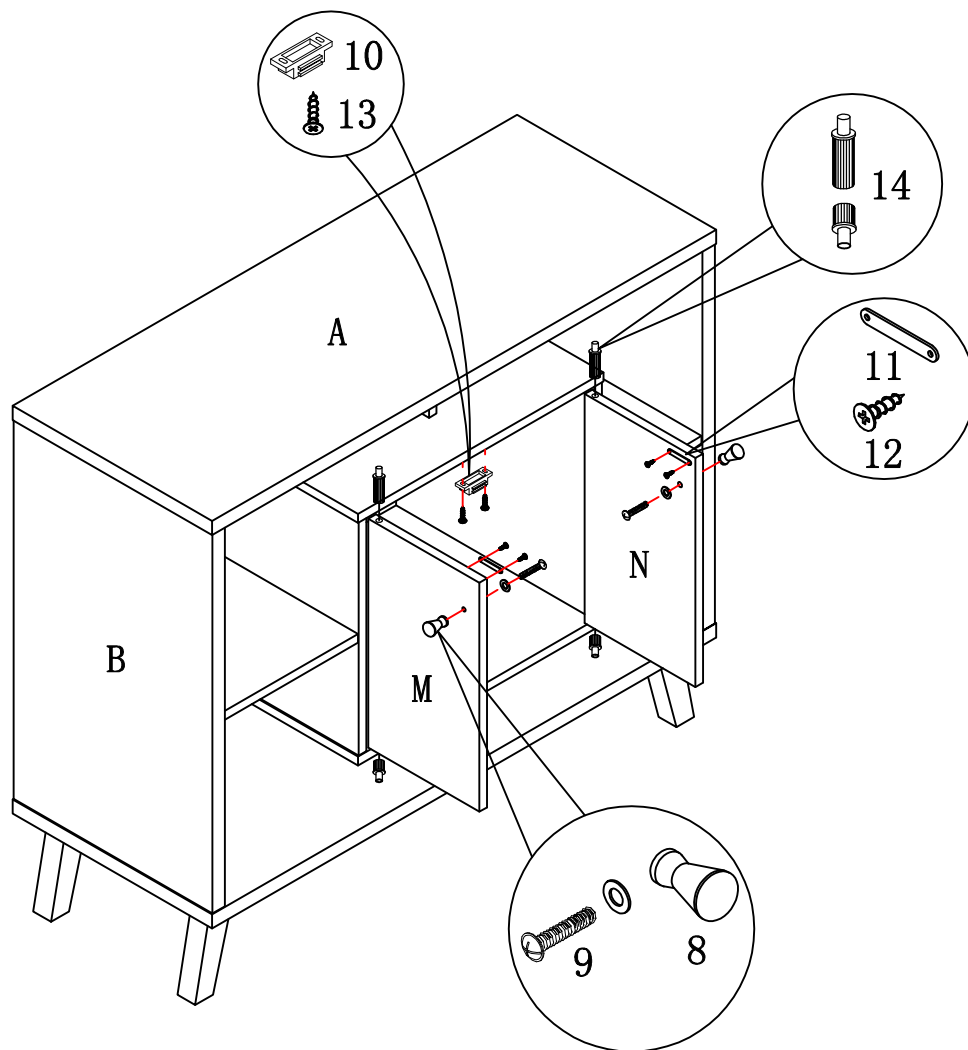
STEP 8



ITEM: 953321

ASSEMBLY INSTRUCTIONS

STEP 9



ITEM: **953321**

ANTI-TIPPING INSTALLMENT INSTRUCTIONS

FURNITURE TIPPING RESTRAINT

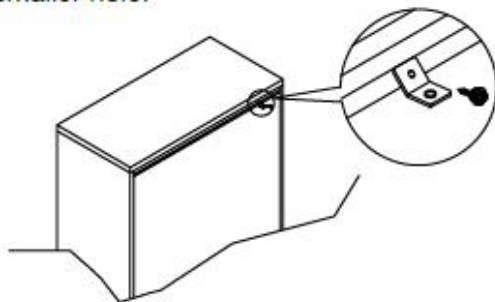
WARNING

Injury may result from tipping furniture.
This restraint may protect against tipping furniture.
Do not allow children to climb on furniture.
This restraint is not a substitute for proper adult supervision.
Failure to detach this restraint before moving the furniture may result in injury and damage.

This tip restraint must be attached to a wall stud using long screw enclosed.

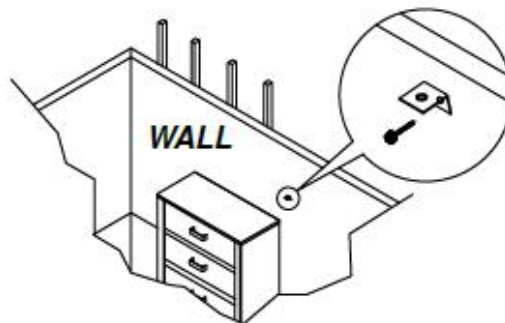
STEP 1

Attach a bracket securely to the back top rail to the furniture using short screw provided, through the smaller hole.



STEP 2

Locate the other bracket on the wall over a wall stud and two inches below the mounting bracket secured to the back of the furniture. Attach the wall stud using the long screw provided, through the smaller hole.



STEP 3

Place the furniture into position so both mounting brackets are vertically in line. Lace the end of the restraint strap through the larger hole in each mounting bracket. Bring both ends together and slide the flat end through the locking and draw it until all slack is removed. Confirm that the strap is securely laced and locked.

