

ACJ033

Coffee Table

V3.0

wlive-cs@devaise.com



IMPORTANT INFORMATION

READ CAREFULLY.

KEEP THIS INFORMATION FOR FURTHER REFERENCE.

GENERAL GUIDELINES

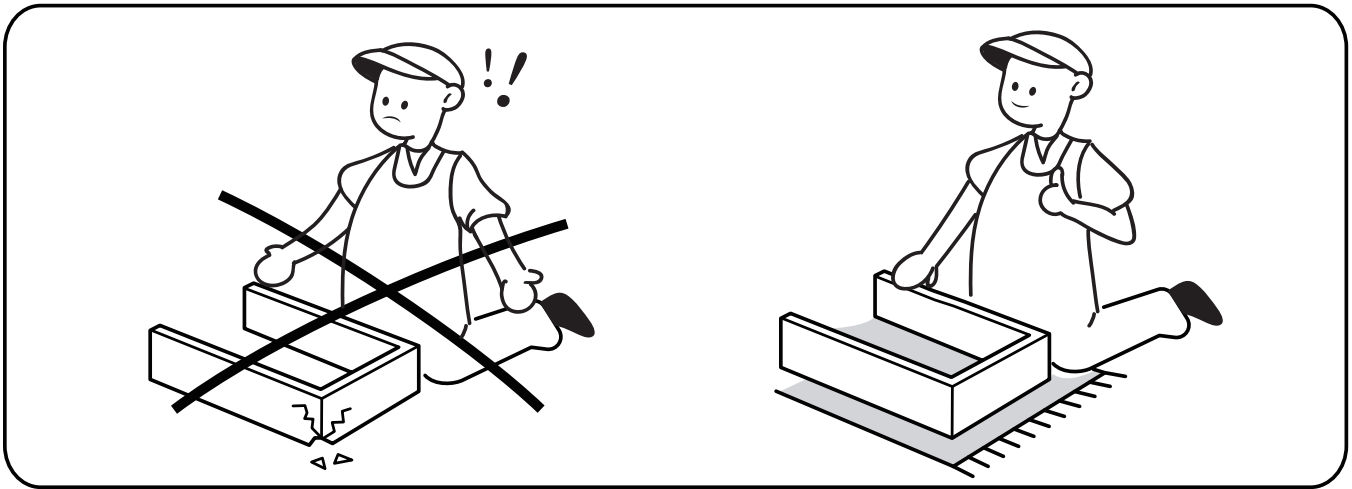
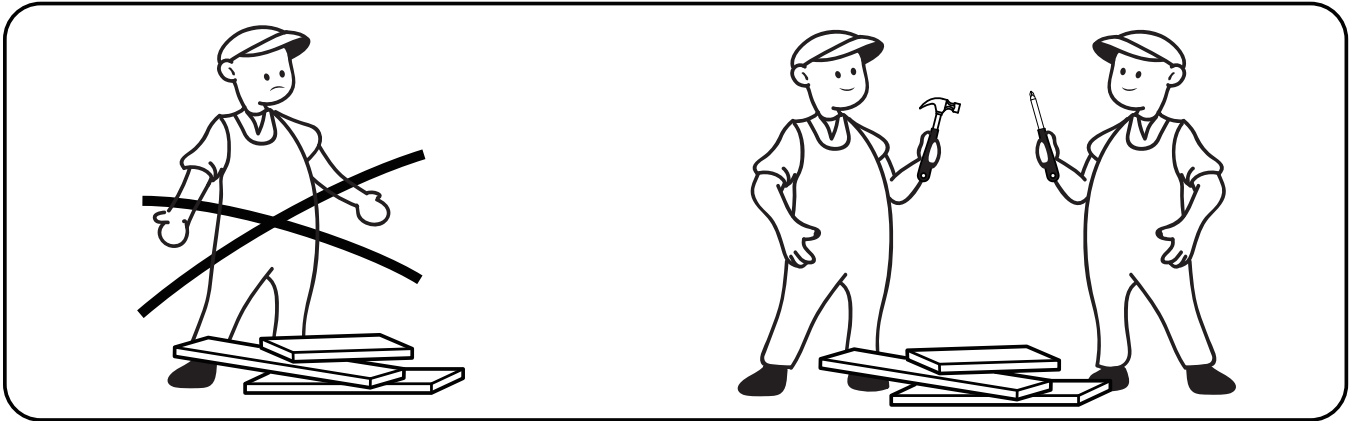
- Please read the following instruction carefully and use the product accordingly.
- Please keep this manual and hand it over when you transfer the product.
- This summary may not include every detail of all variations and considered steps. Please **contact us** when further information and help are needed.

NOTES

- Please follow the assembly instructions precisely and only use the product as intended.
- If an odor is present when first opening the package, please leave the unwrapped product in a shaded and ventilated area for a few days to air out.
- Prior to assembly, please check the product for defects or missing accessories. If any defects are found or accessories are missing, do not use product as damage or injury may occur;
Please **contact us** for assistance and replacement.
- During assembly, please only slightly tighten all screws in their correct position first, then fully tighten them. A Philips screwdriver is recommended but not included.
- It is suggested you regularly check the products bolts and connections to ensure safe use.
- Assemble the item on a soft flat and clean surface to avoid scratches and damage.
- It is recommended that two people assemble this product.

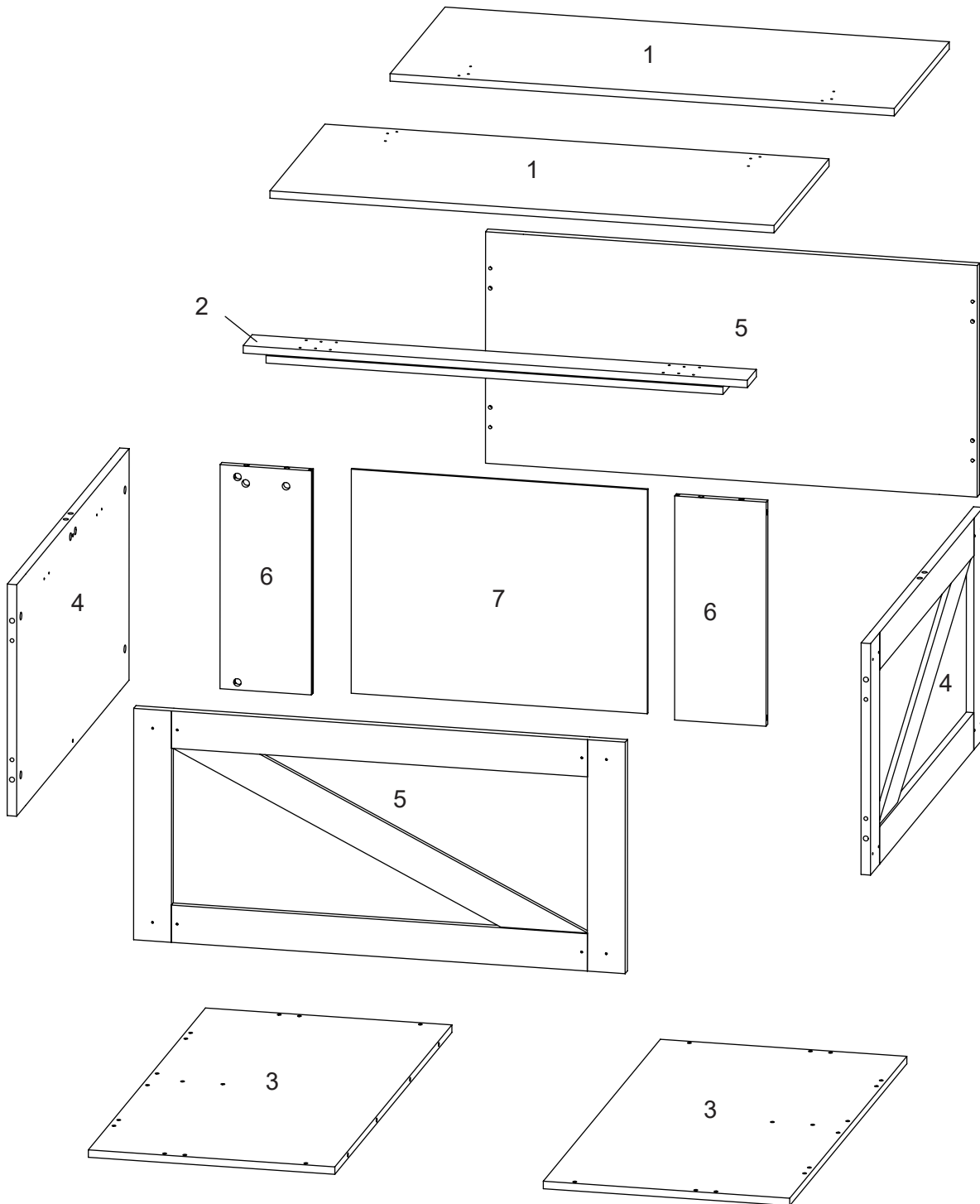
WARNINGS

- During assembly, keep parts and packaging materials away from children and pets as there could cause injury and are a potential choking hazard.
- Avoid sharp objects or corrosive chemicals to prevent damage to the product.
- Please open the item slowly and cautiously to avoid pinching your hands by metal joints, especially children.

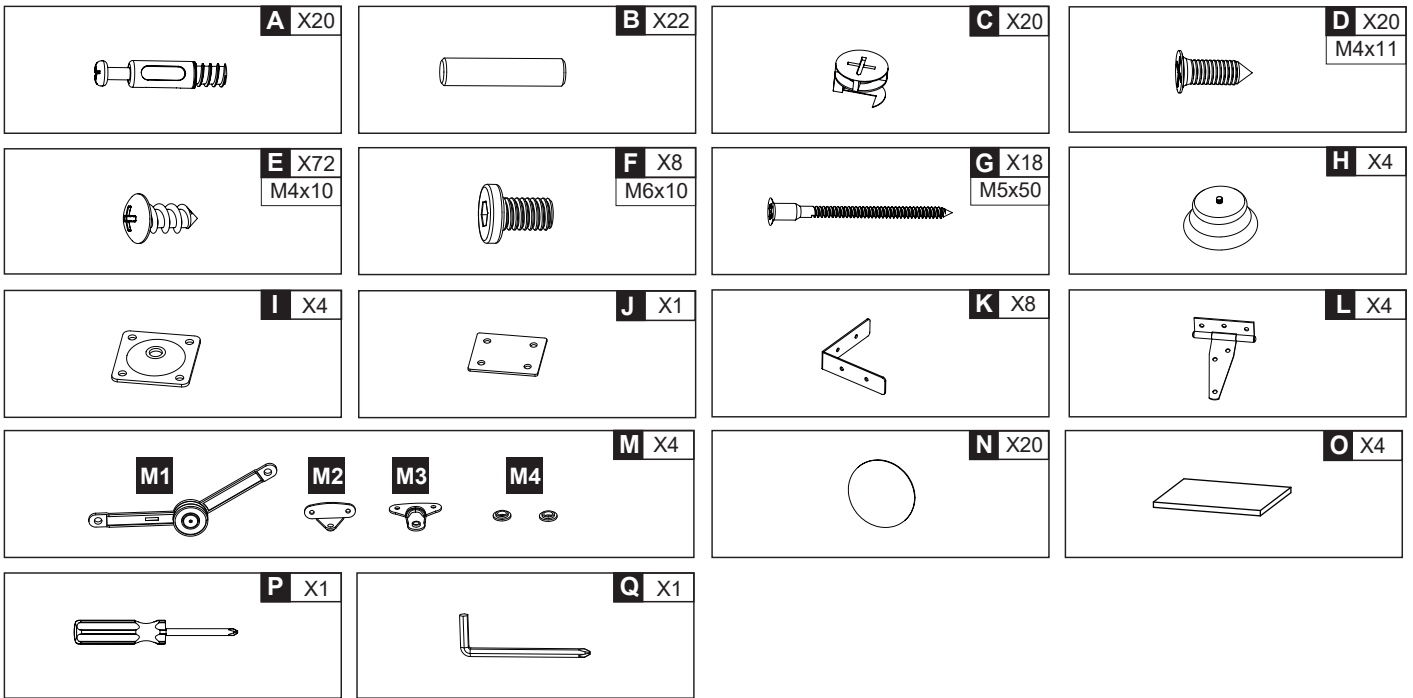


- If you have any further questions, please feel free to contact us by email or official website: **wlive-cs@devaise.com**
We will reply ASAP.
- Before installation, please make sure you have all the hardware, the serial numbers are properly labeled corresponding to the list, and the quantity is correct.
- Enjoy your new purchase!

EXPLODED DRAWING

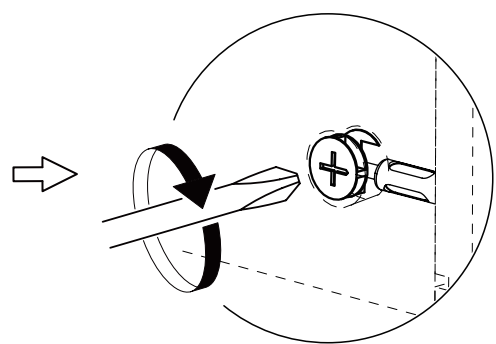
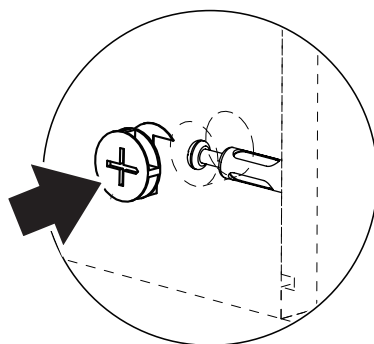
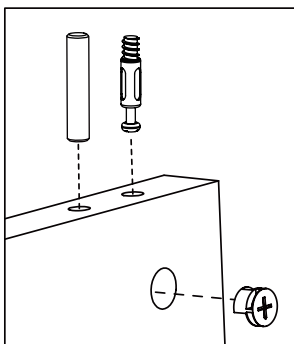


PARTS

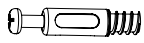
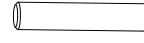


REMARK

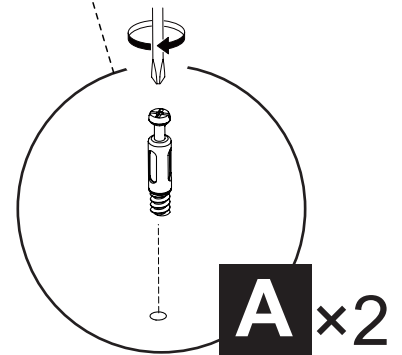
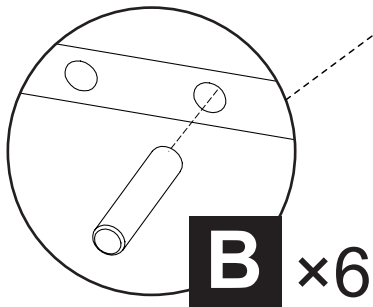
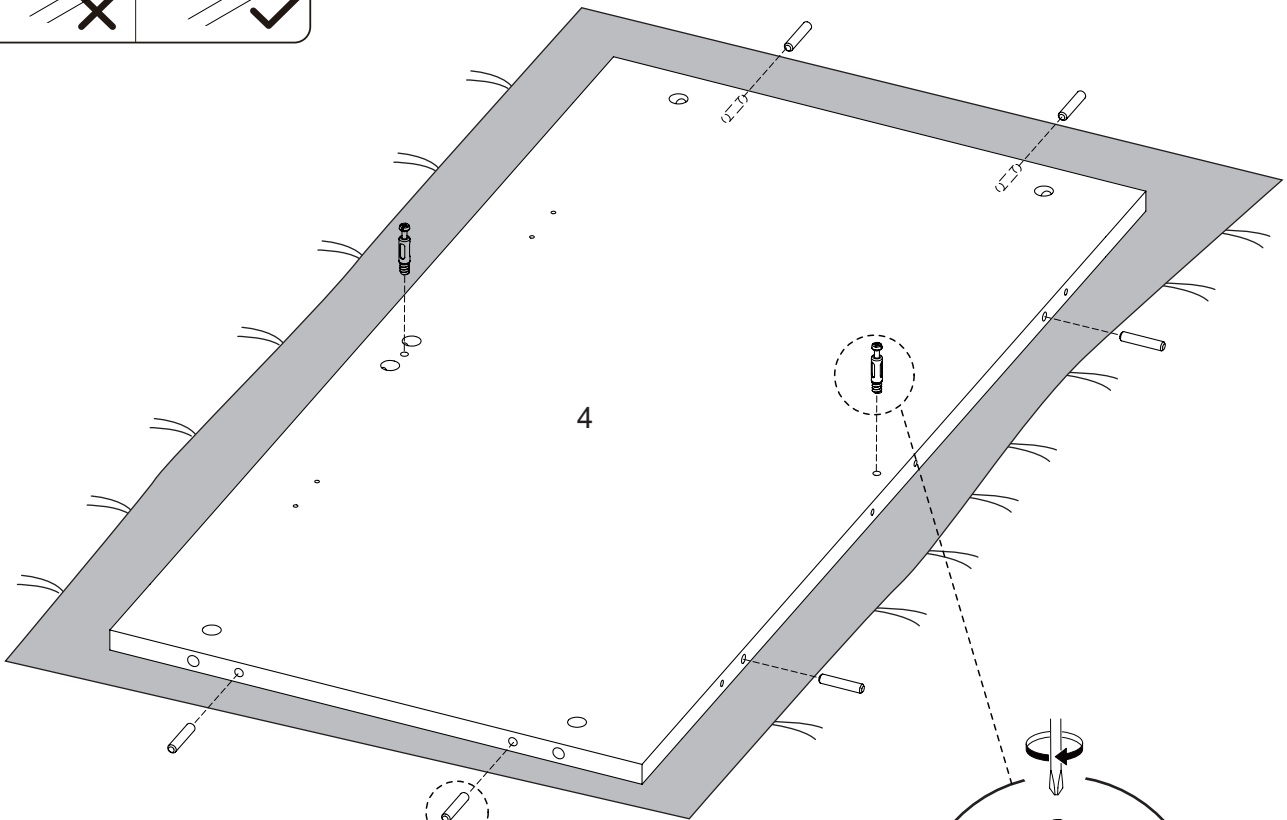
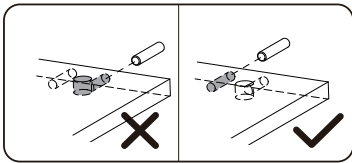
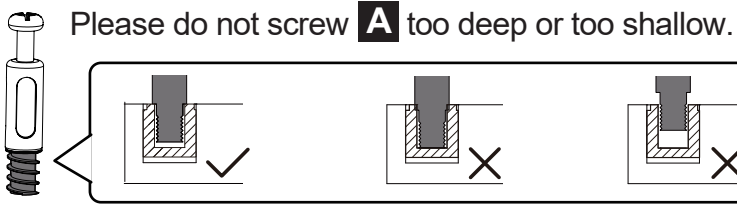
MINIFIX POSITION



1

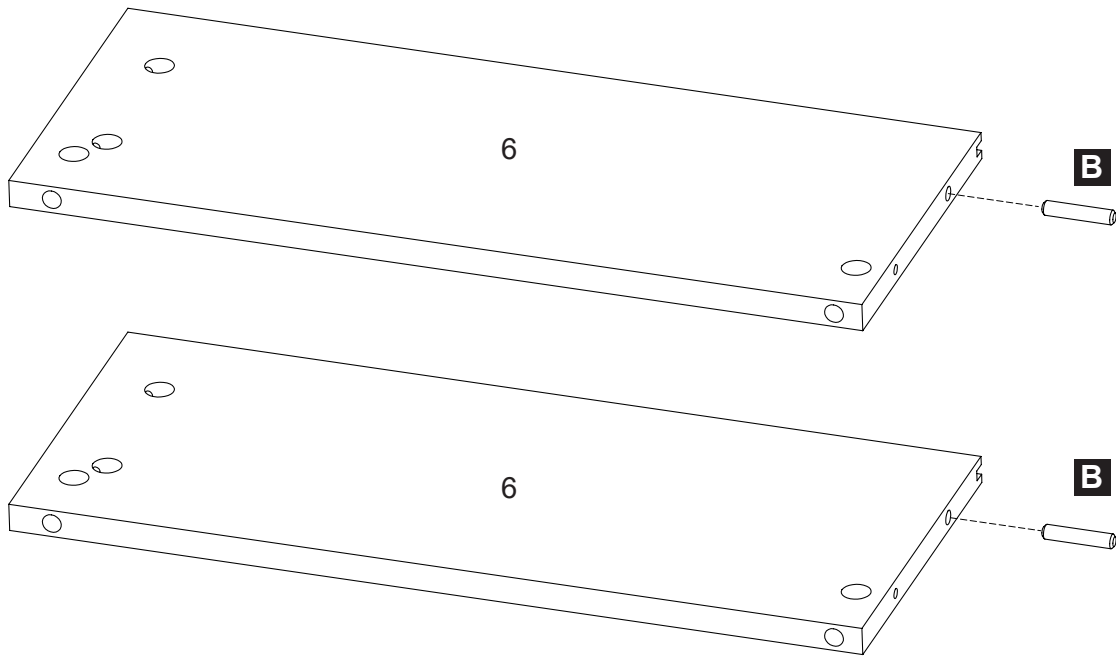
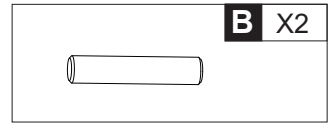
	A X4
	B X12

REMARK

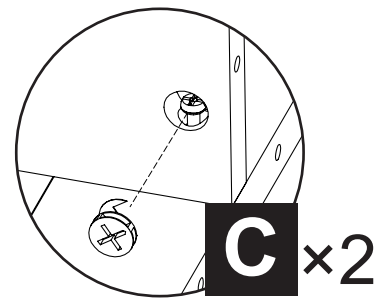
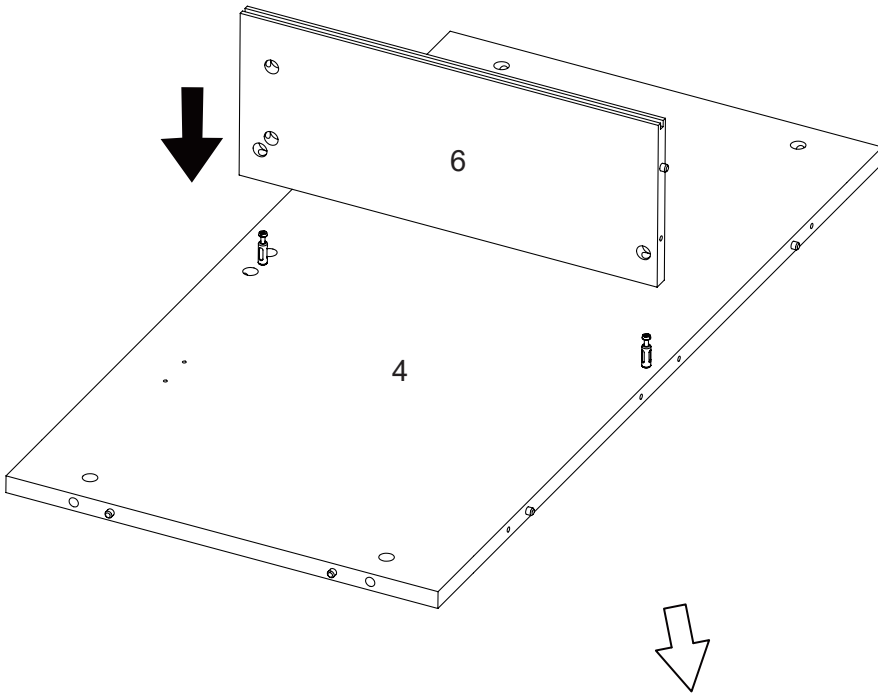
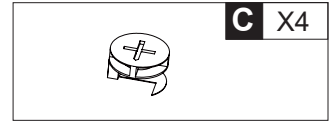


x2

2

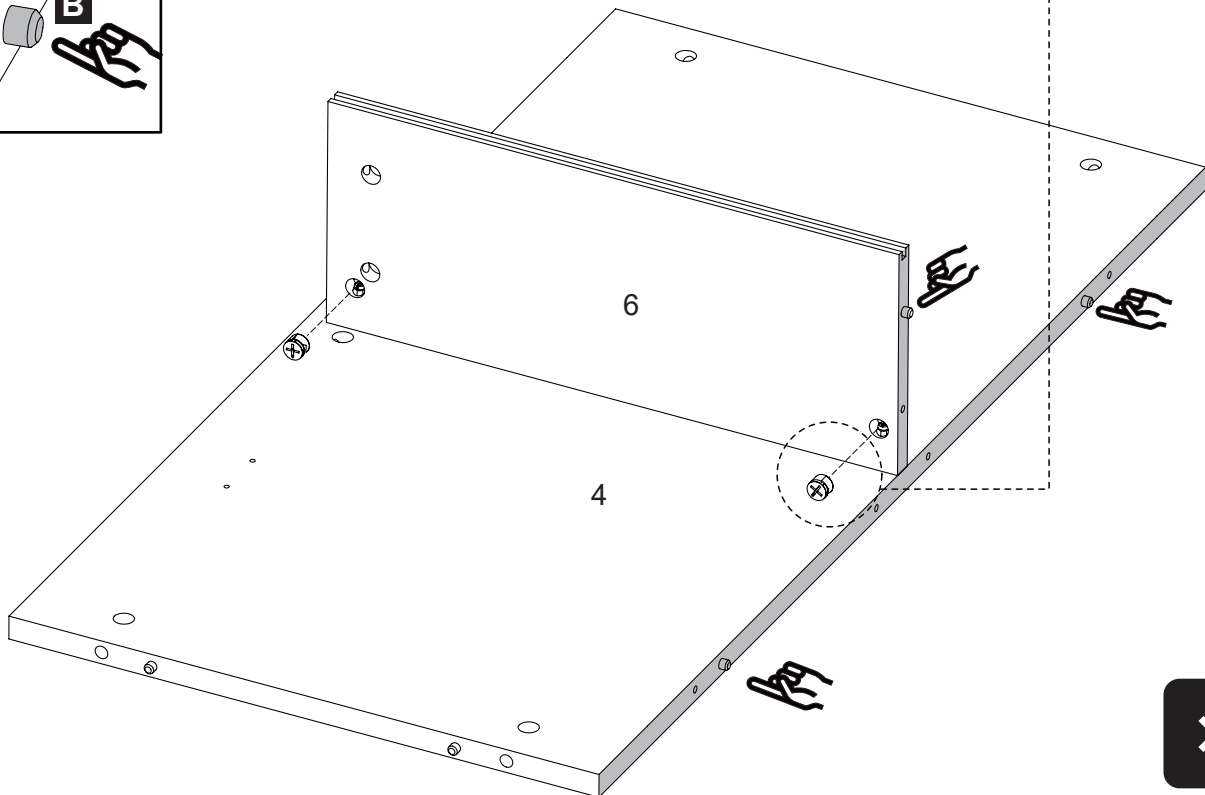
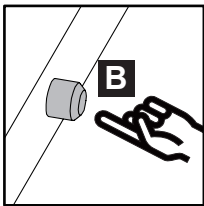


3





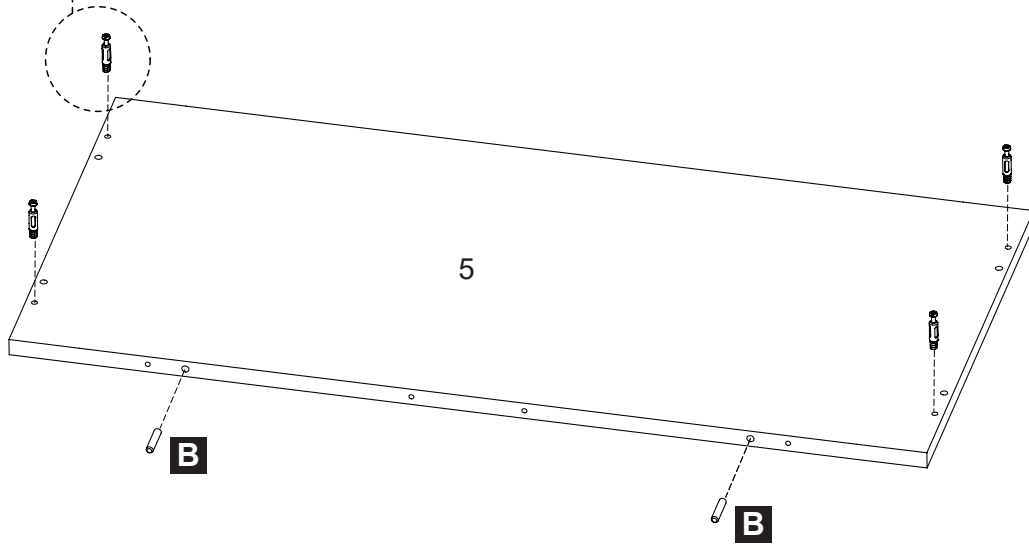
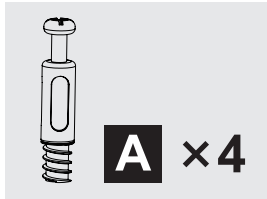
REMARK

Please note that the **B** of part 4 / part 6 are on the same side.



4

	A X8
	B X4



x2

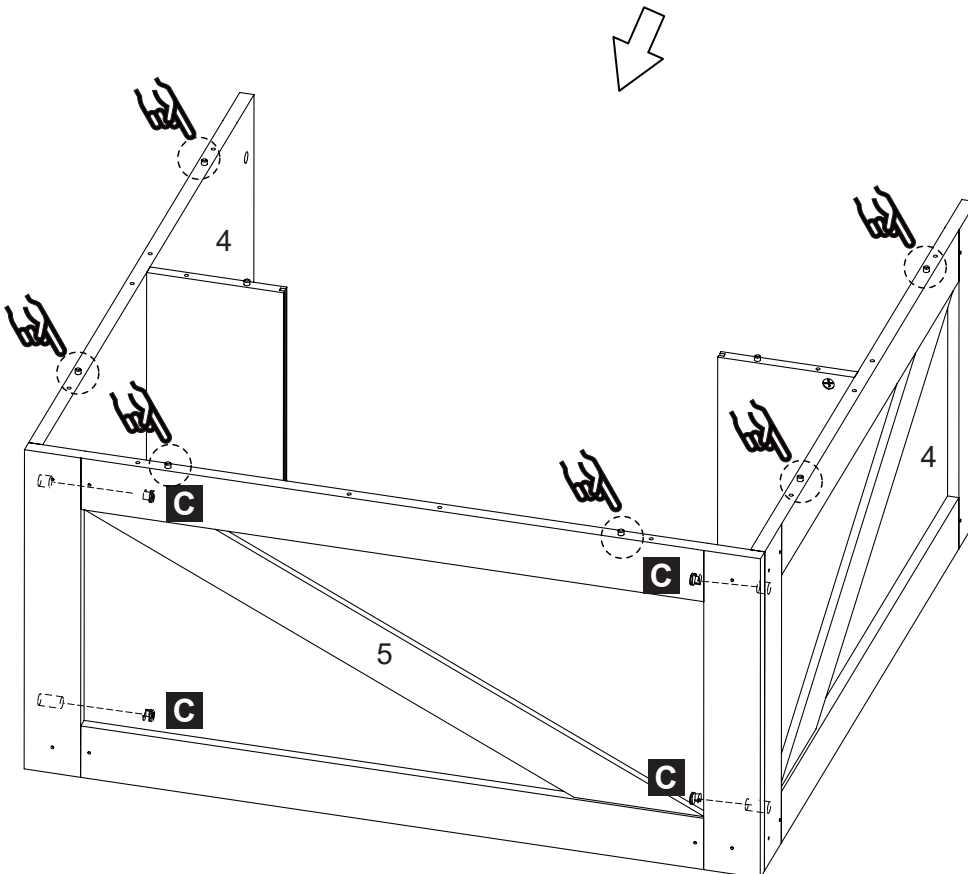
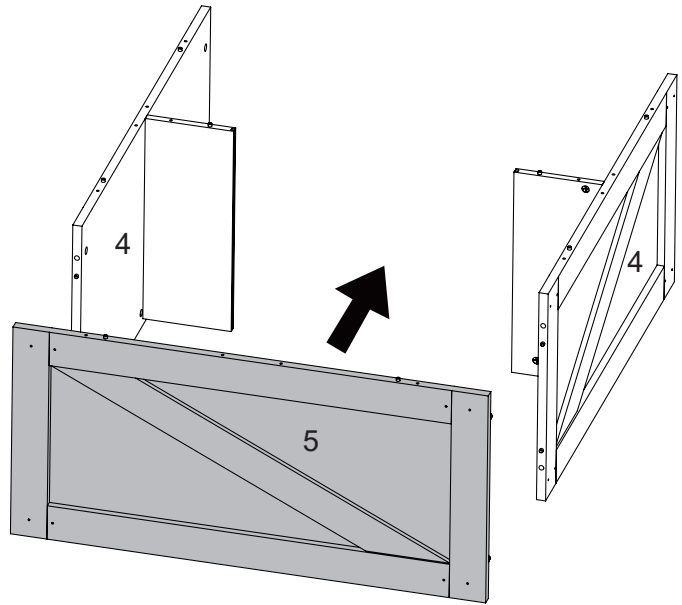
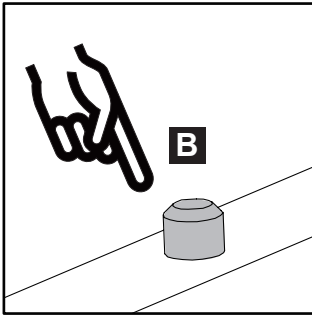
5

C X4



REMARK

Please note that the **B** of part 4 / part 5 are on the same side.



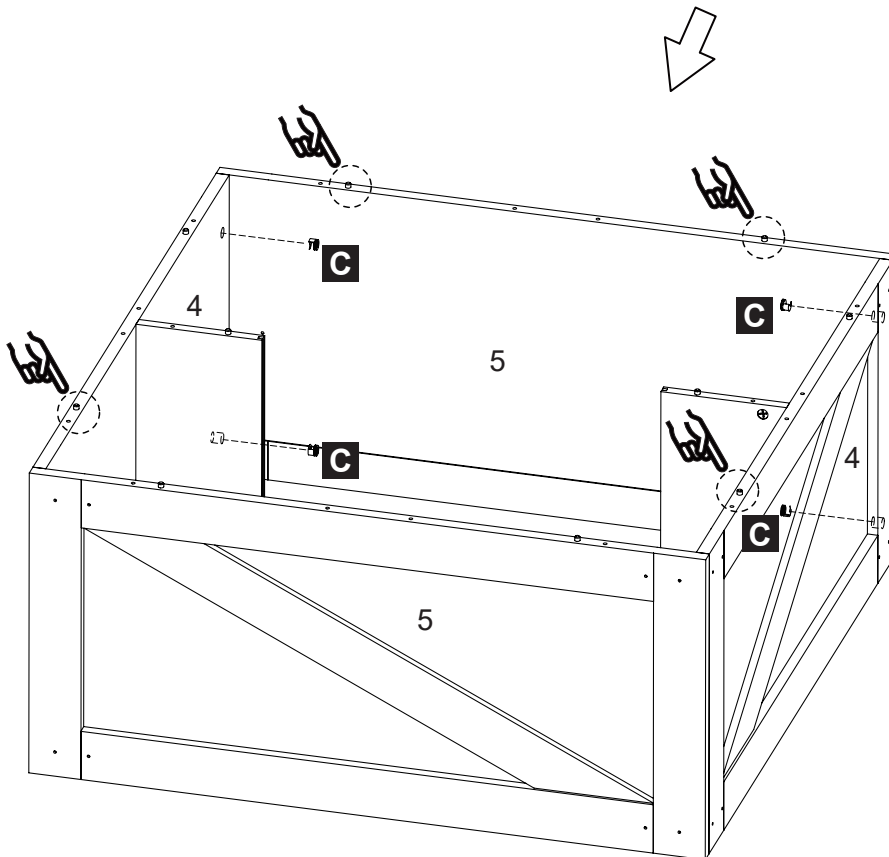
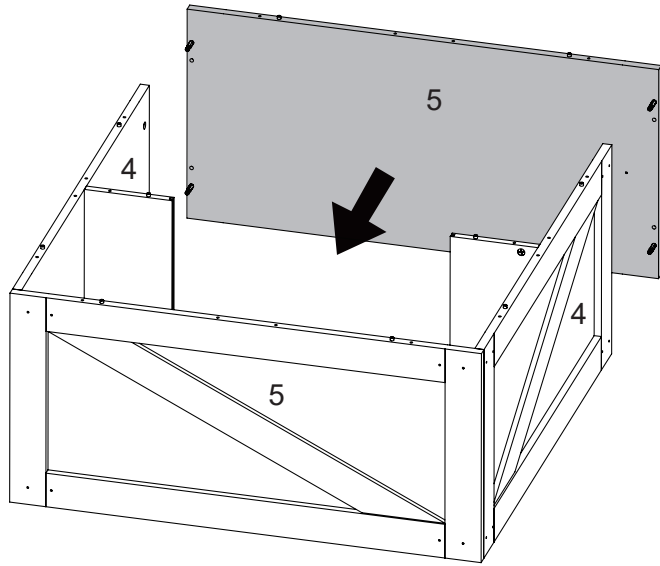
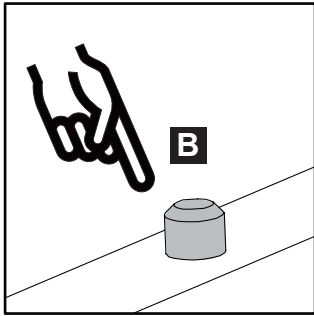
6

C X4

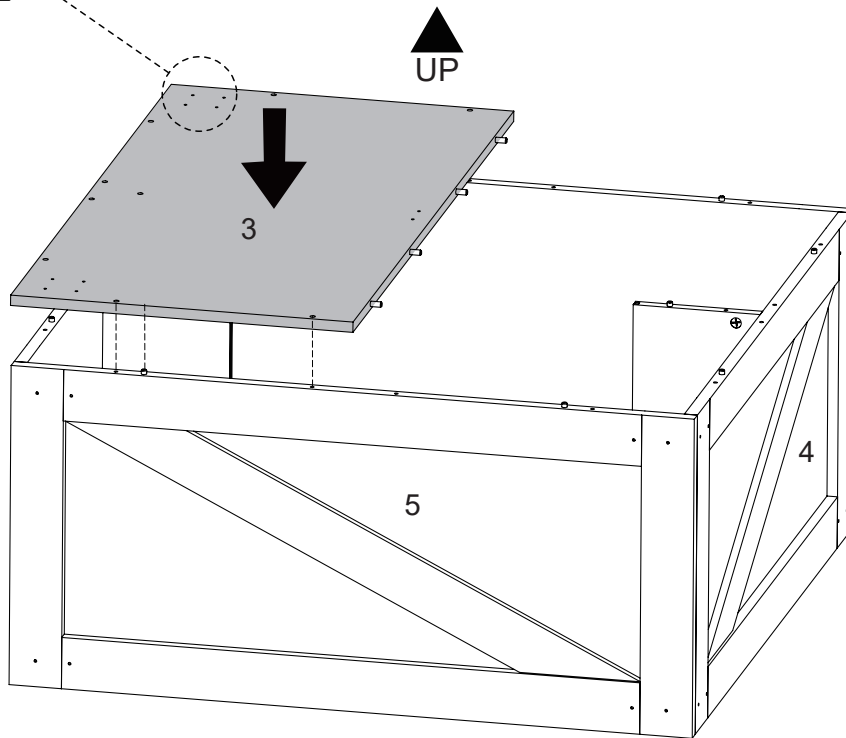
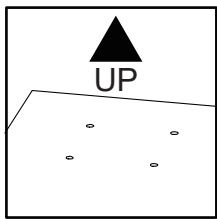
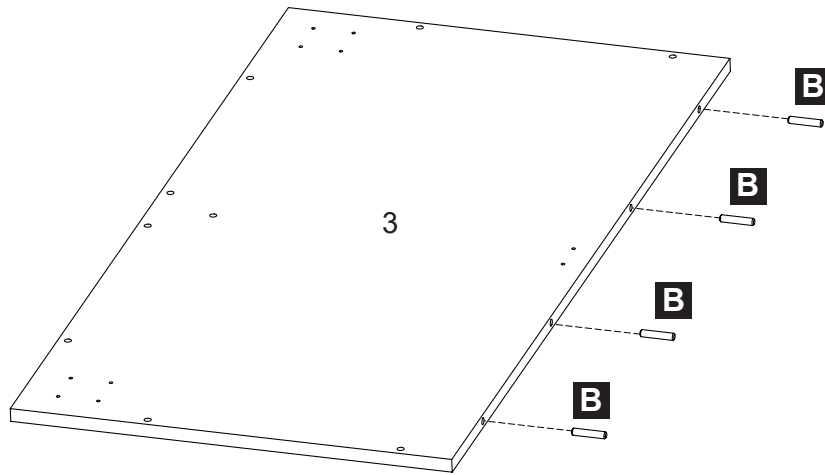
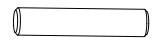


REMARK

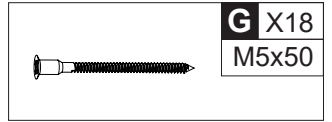
Please note that the **B** of part 4 / part 5 are on the same side.



B X4

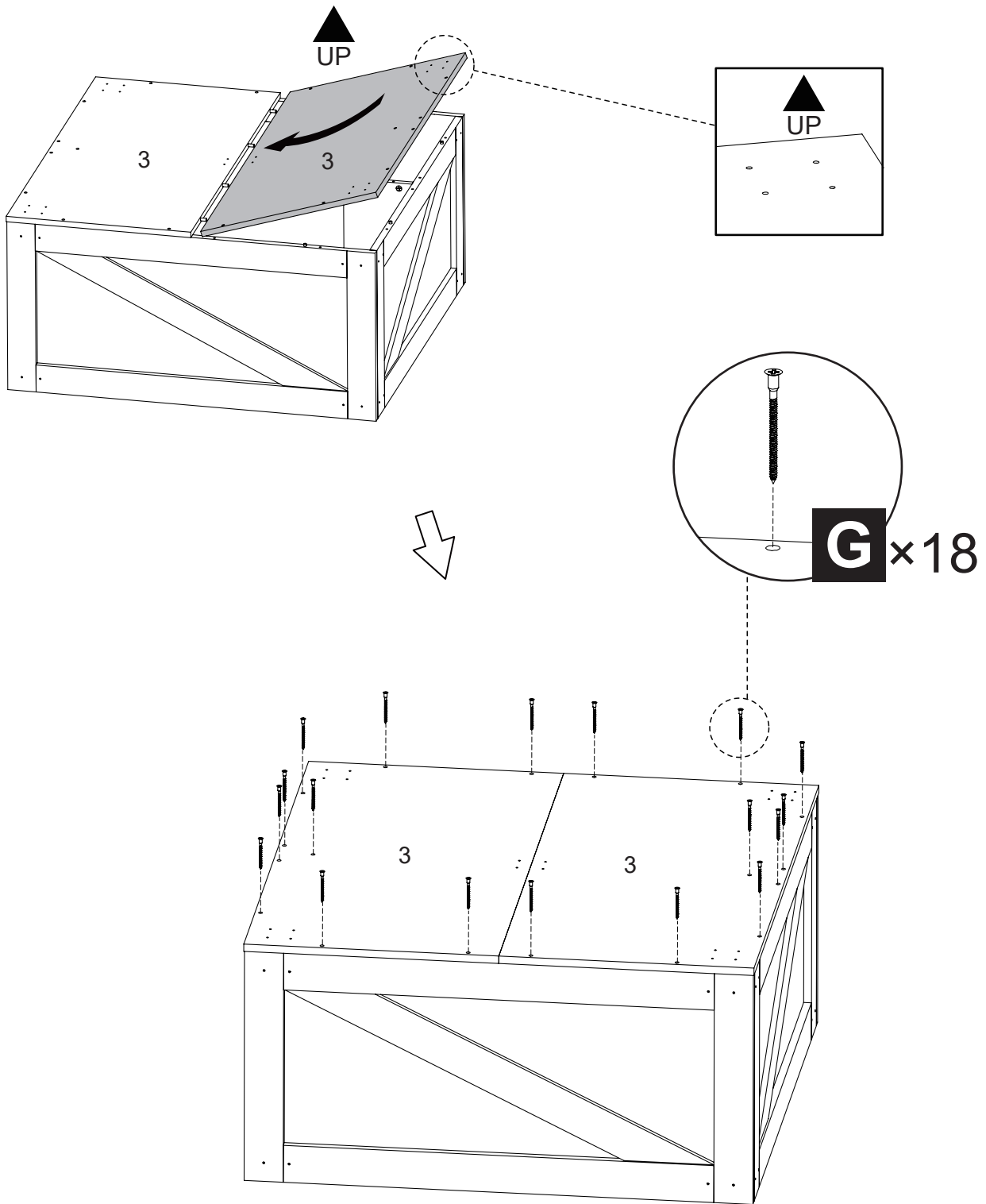


8



REMARK



Fully tighten all the screws after all the screws are in right place.

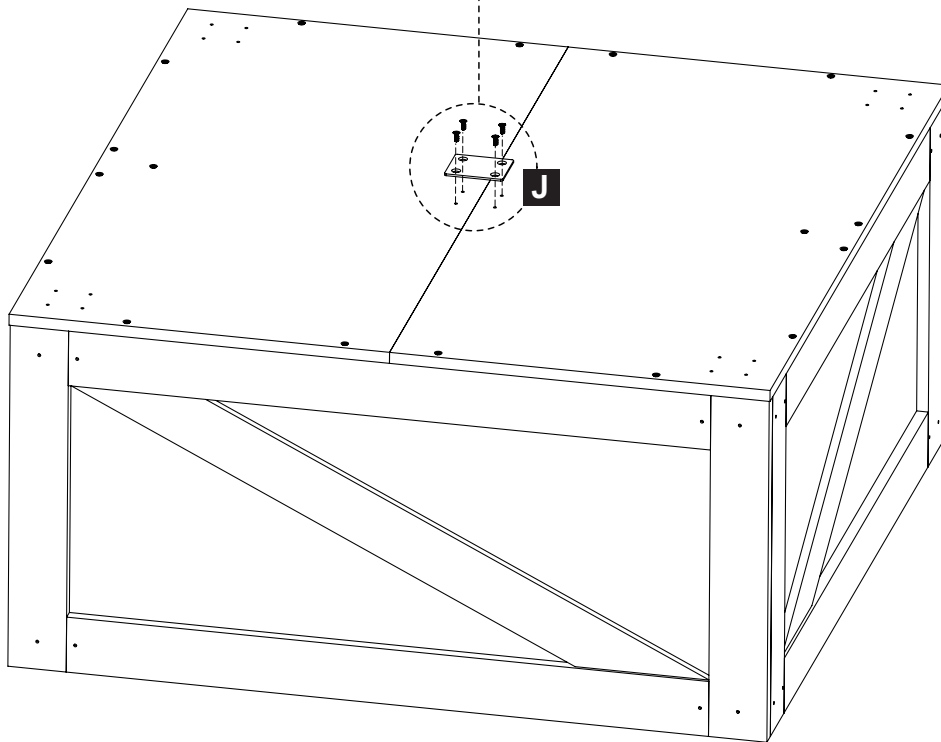
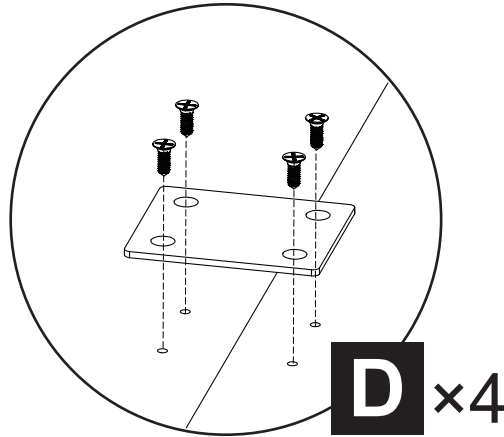
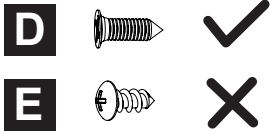


9

REMARK

Fully tighten all the screws after all the screws are in right place.

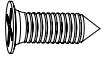
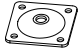
	D X4 M4x11
	J X1

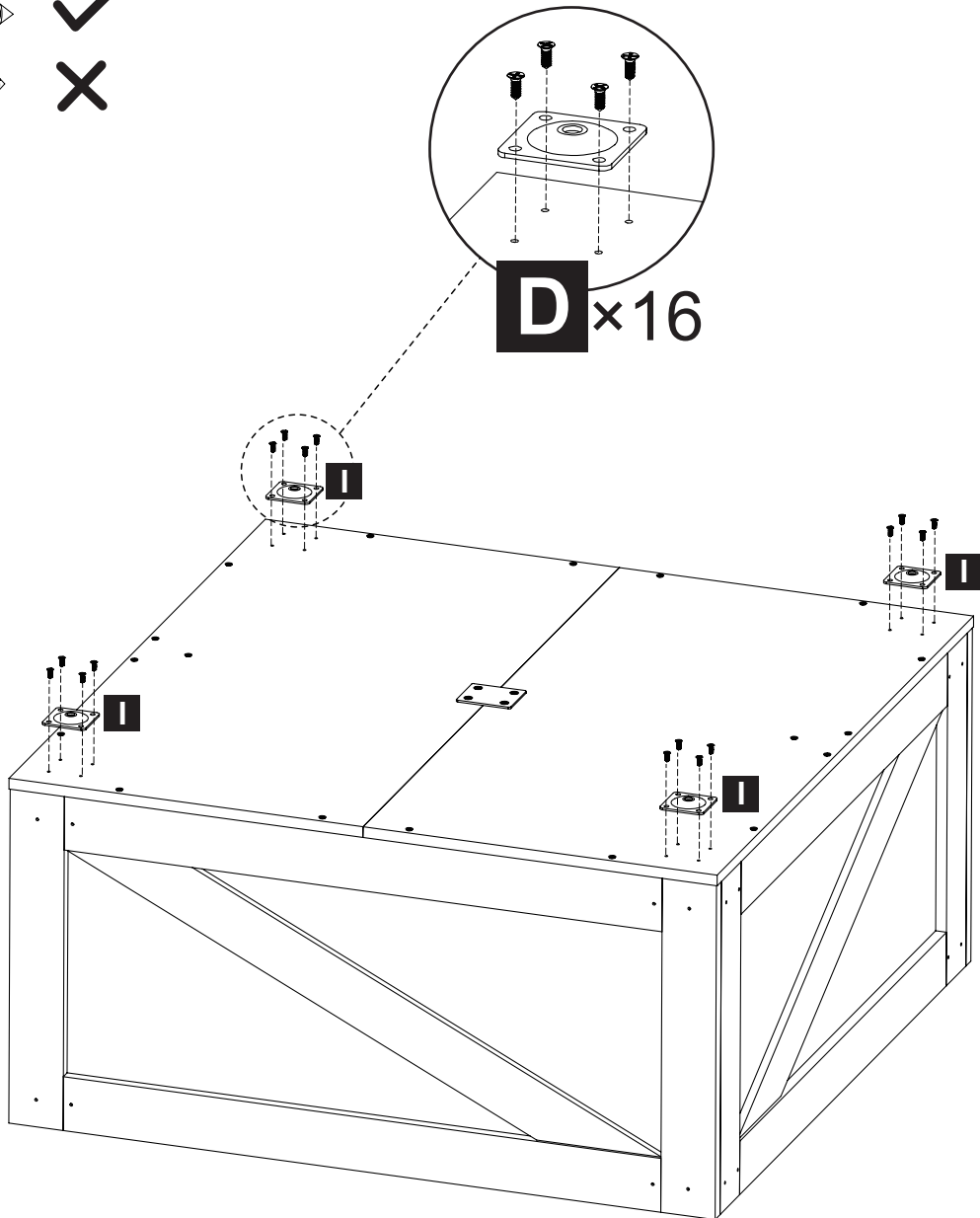
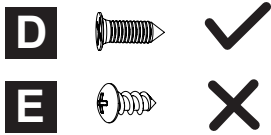


10

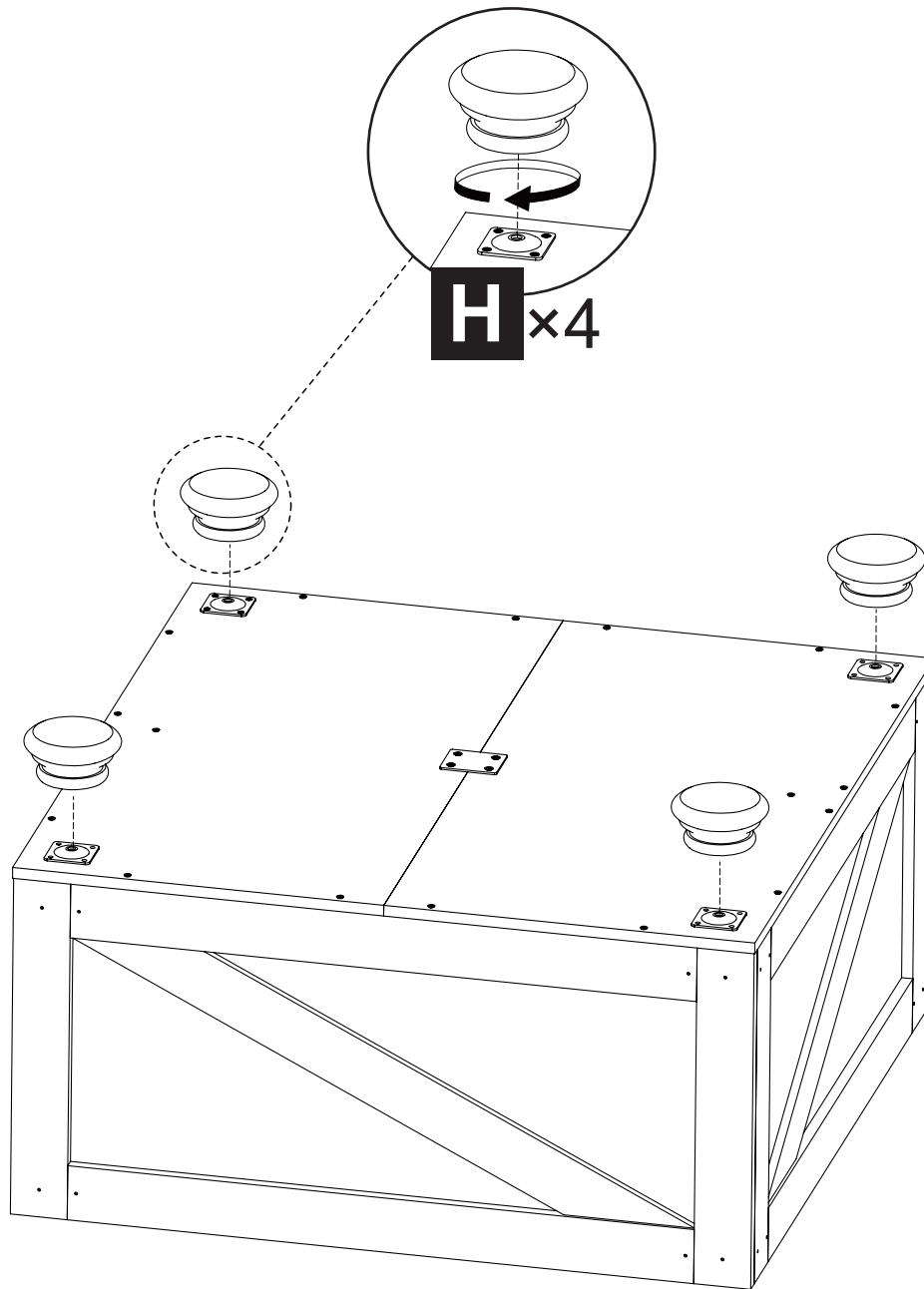
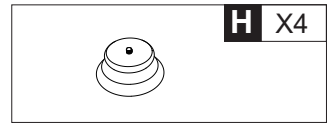
REMARK

Fully tighten all the screws after all the screws are in right place.

	D X16 M4x11
	I X4



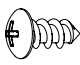
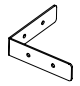
11

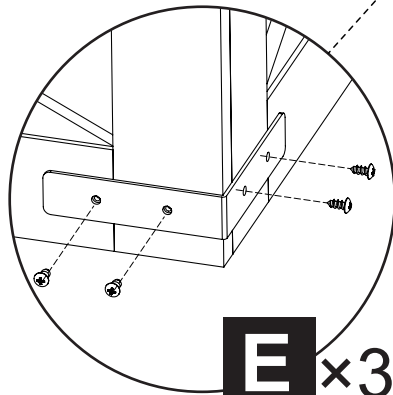
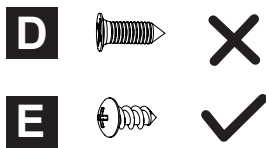
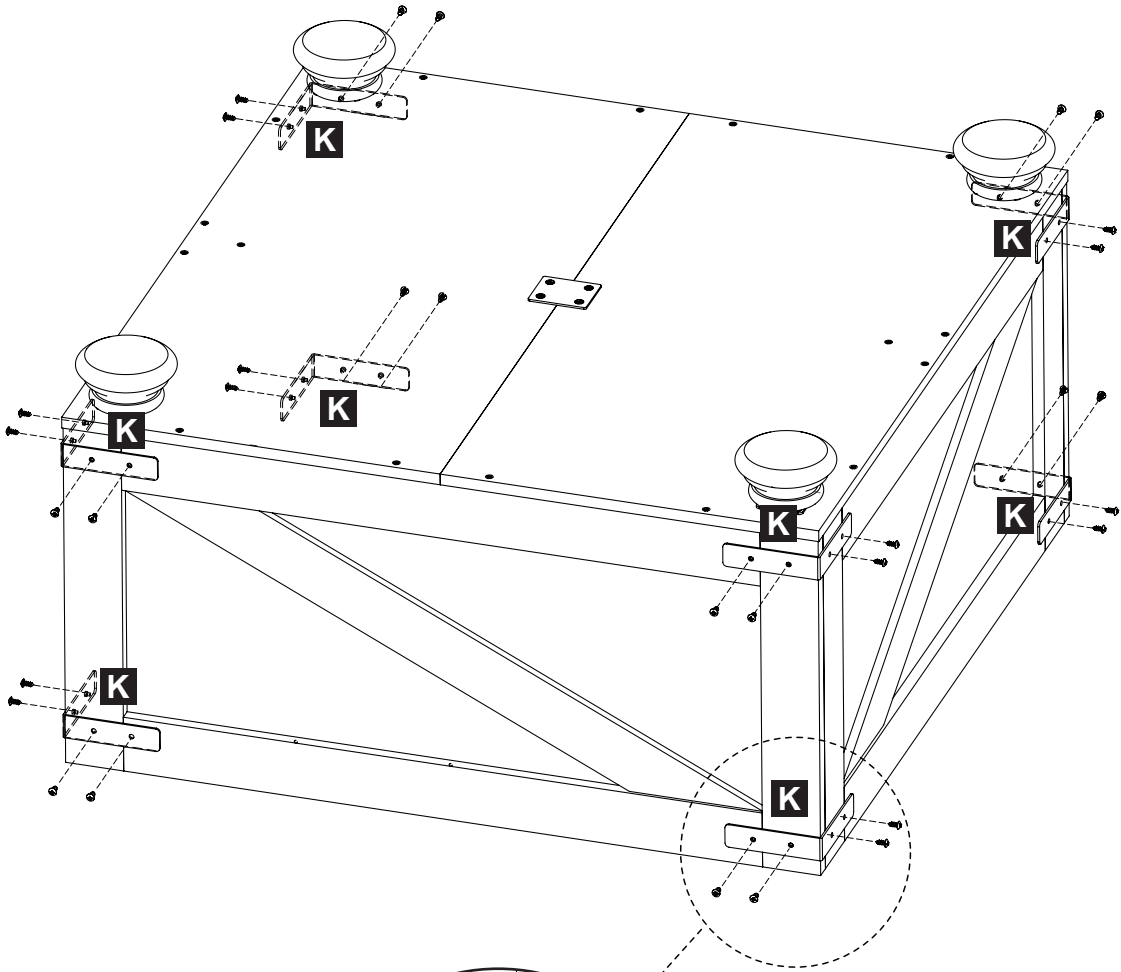


12

REMARK

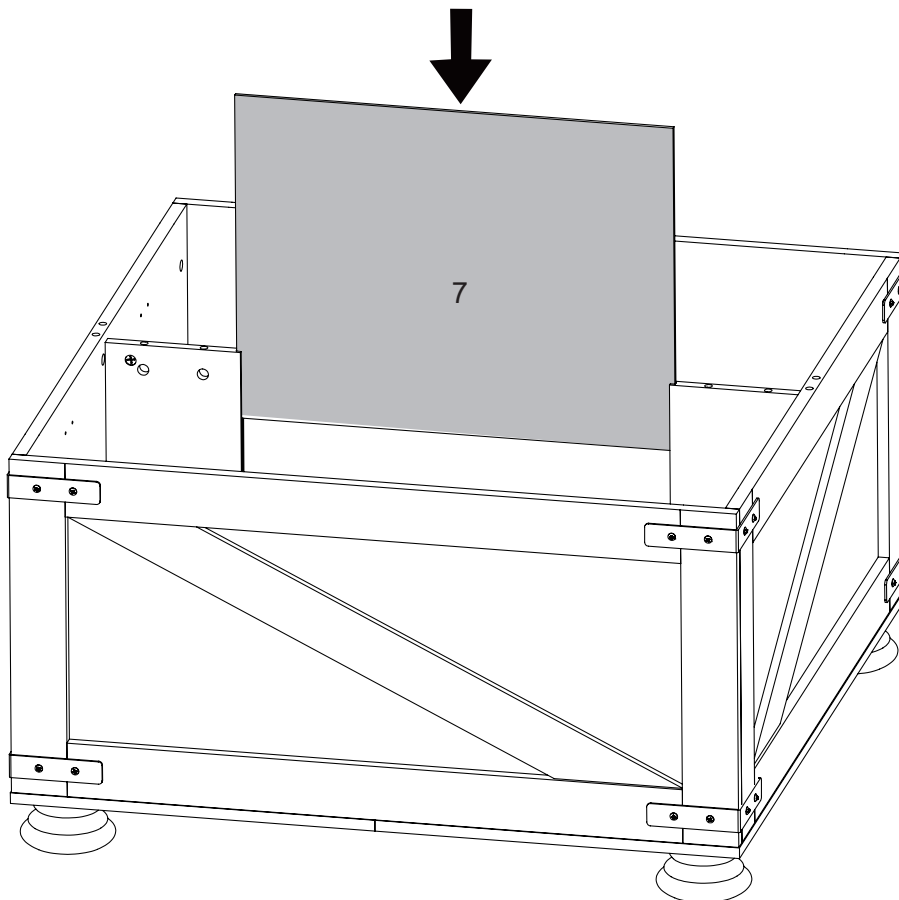
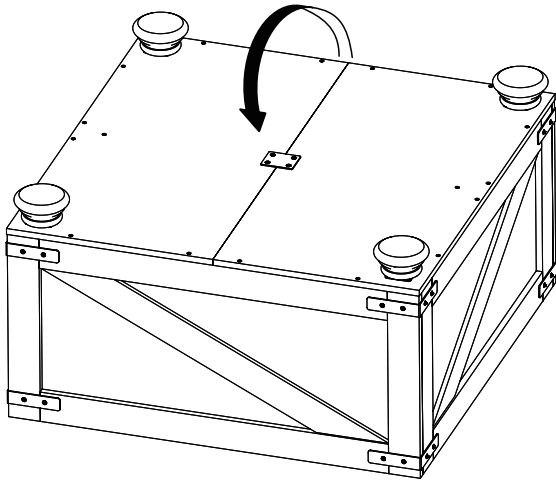
Fully tighten all the screws after all the screws are in right place.

	E X32 M4x10
	K X8

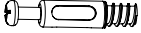



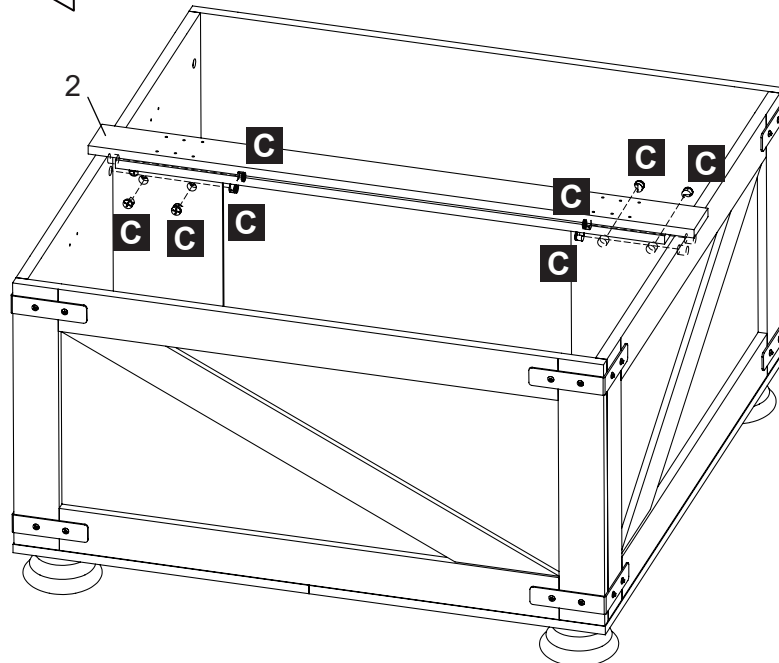
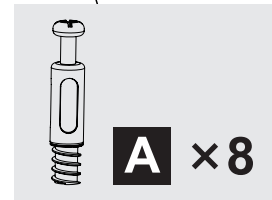
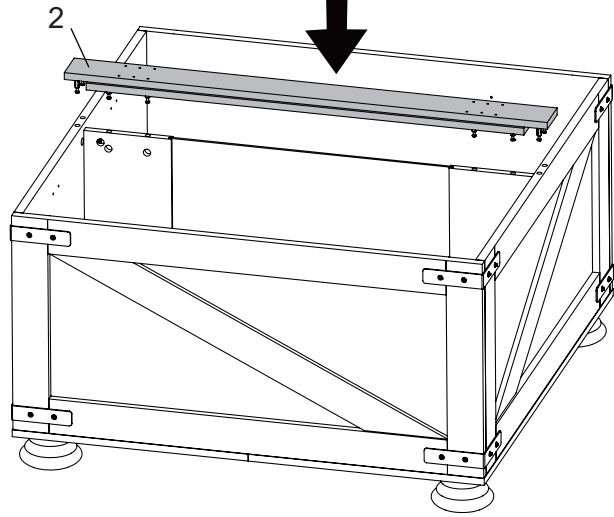
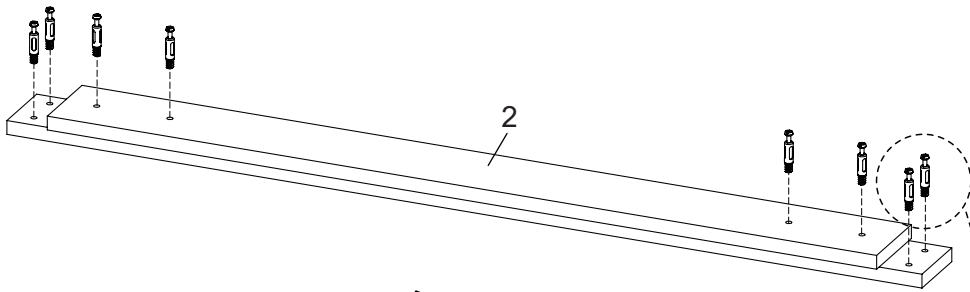
E x32

13

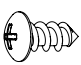
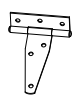


14

	A X8
	C X8

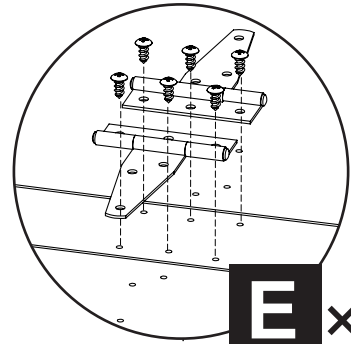
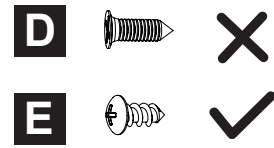
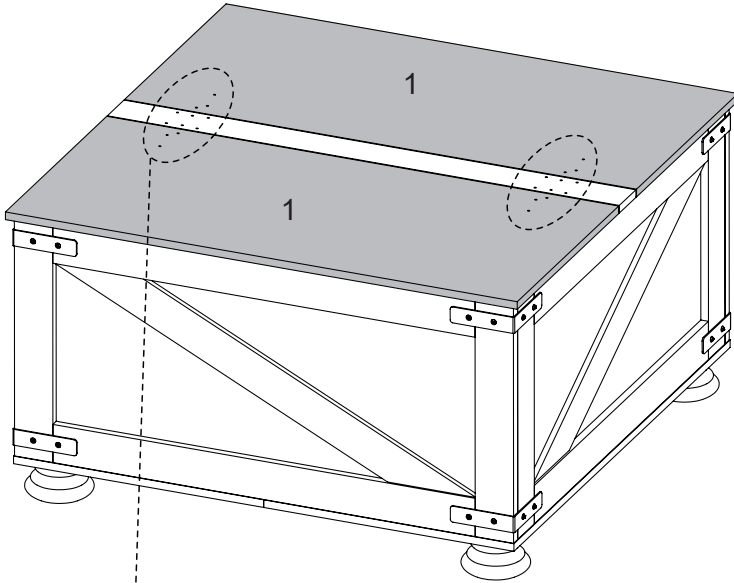


15

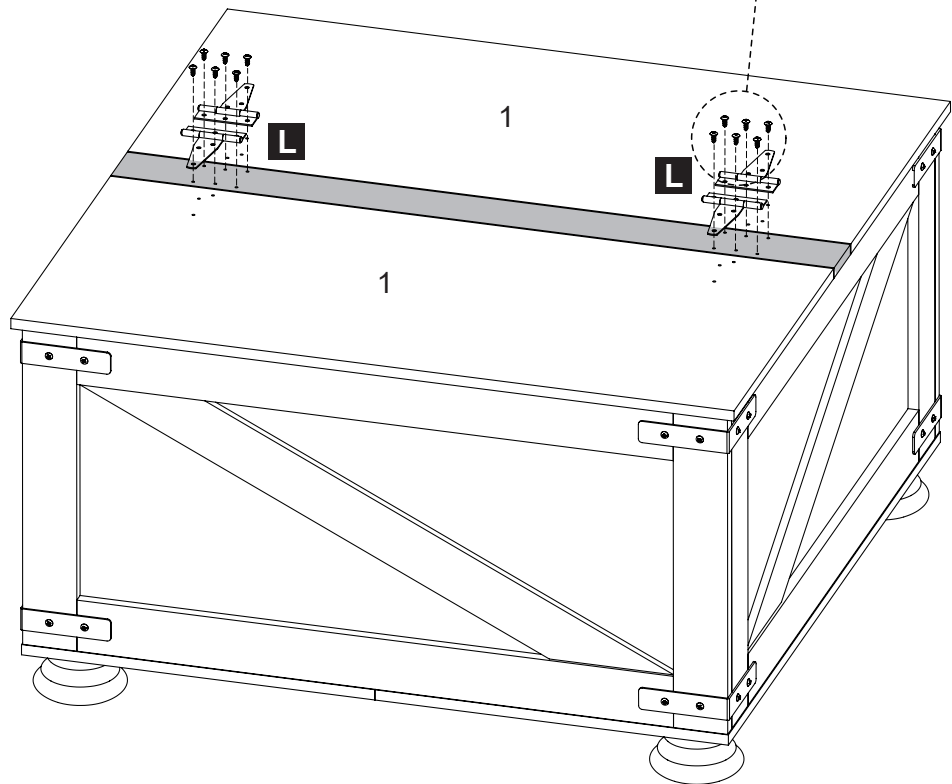
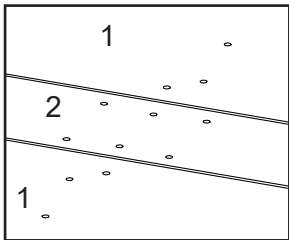
	E X12 M4x10
	L X4

REMARK

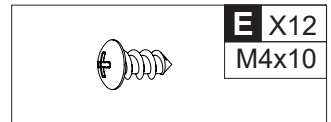
Fully tighten all the screws after all the screws are in right place.



E x12

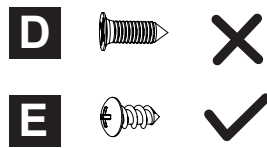
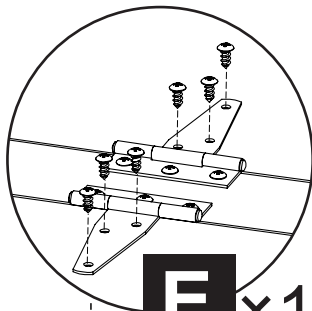


16

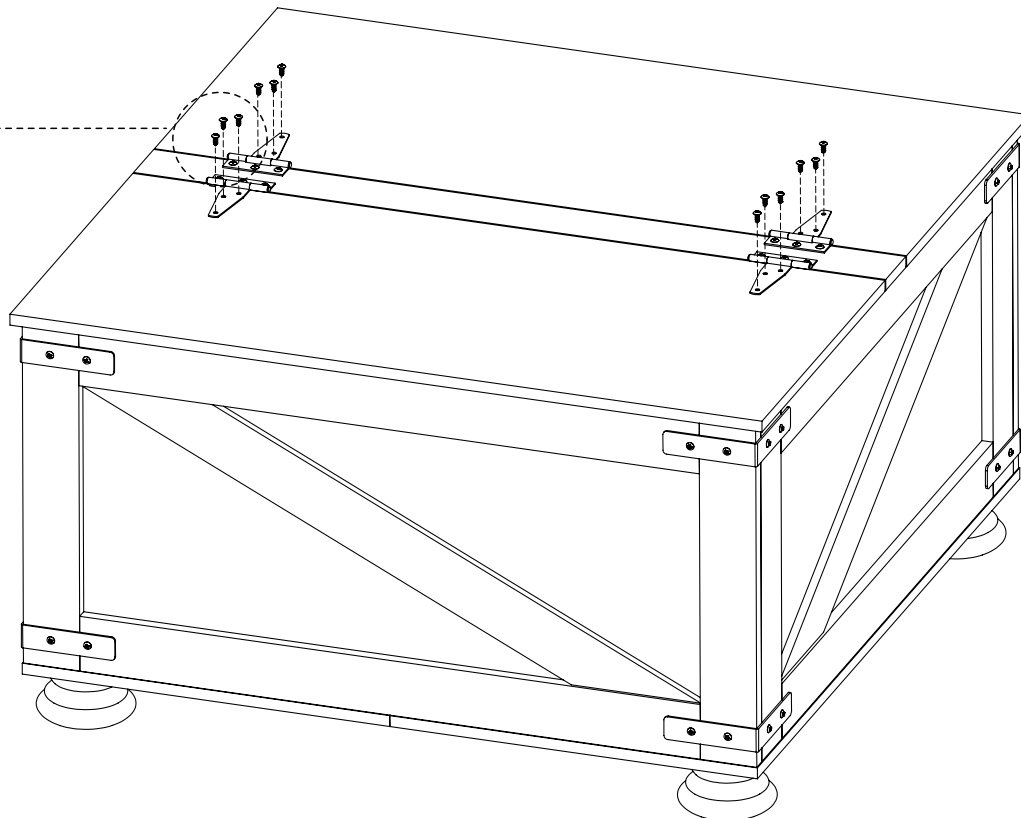


REMARK

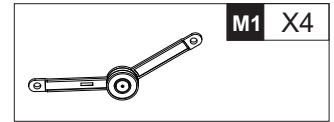
Fully tighten all the screws after all the screws are in right place.



E x12

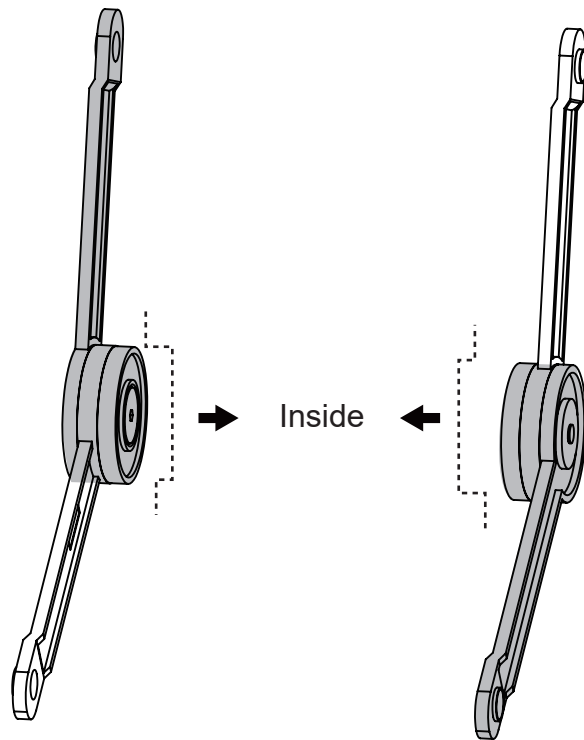
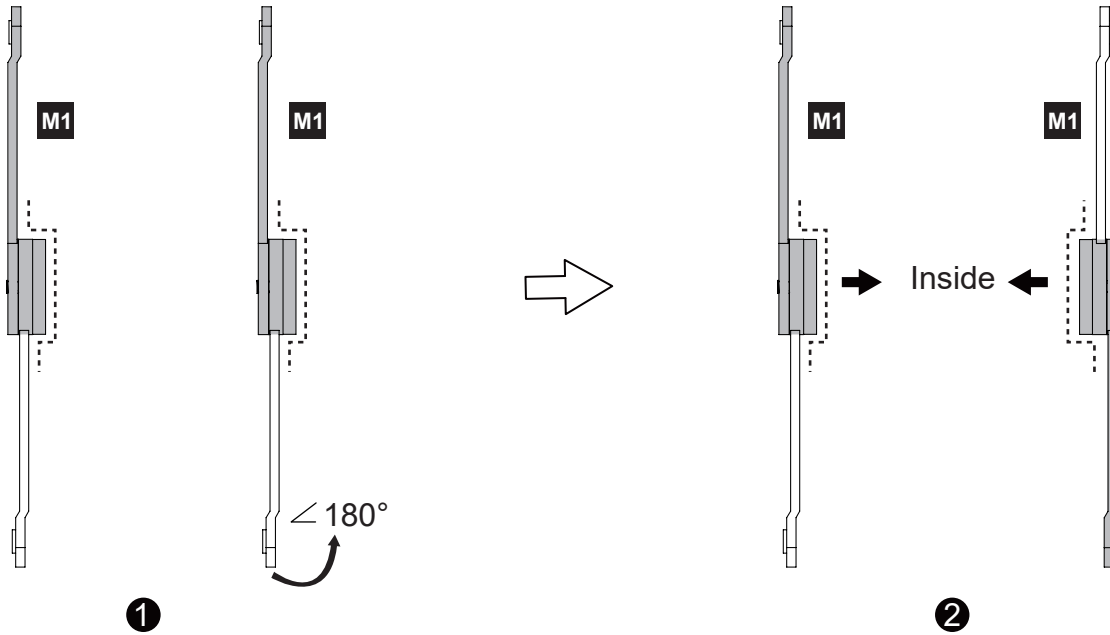


17



REMARK

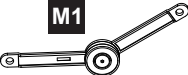




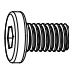

1. Place part **M1** as shown in Figure 1 .
2. Please rotate one of the **M1** parts 180° to the style shown in Figure 2 .
3. Then go to the next step.

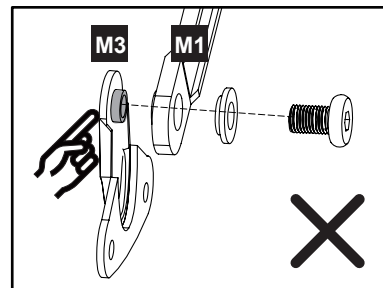
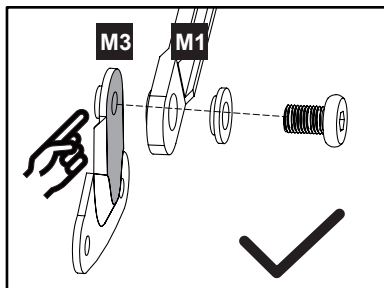
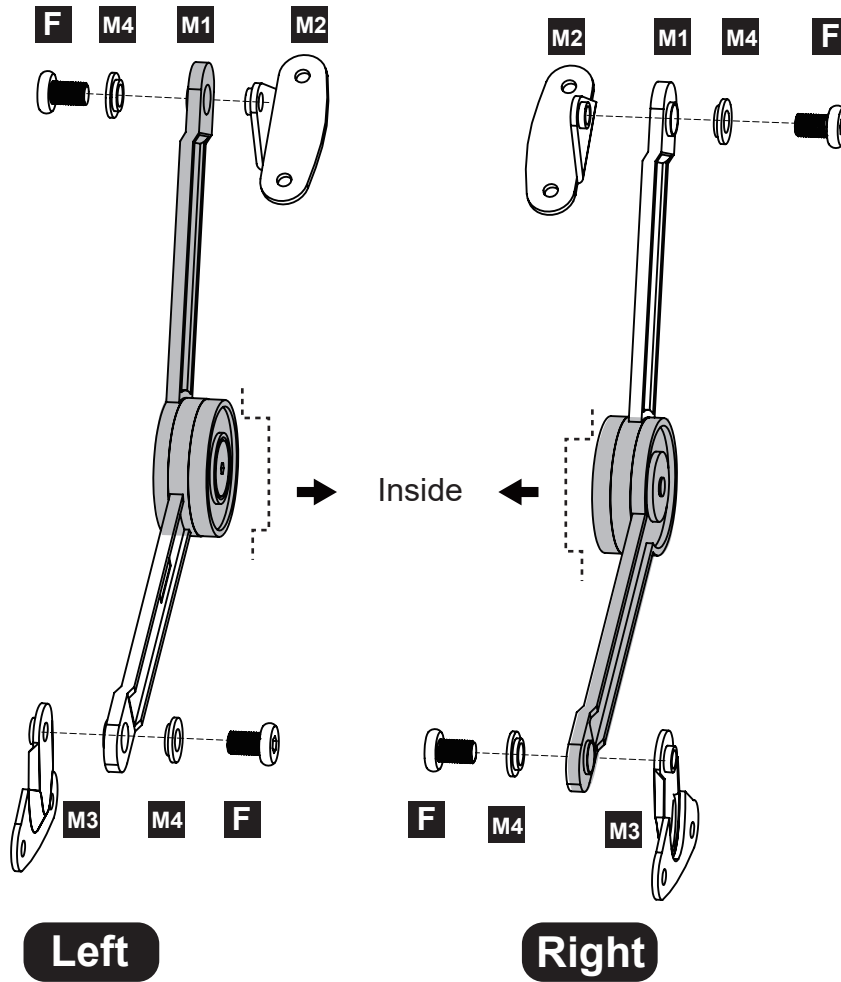


x2

Left

Right

M1 	M2 	M3 	M4 	M X4 	F X8 M6x10 
					Q X1 



REMARK

Please connect the flat side of **M3** to **M1**.

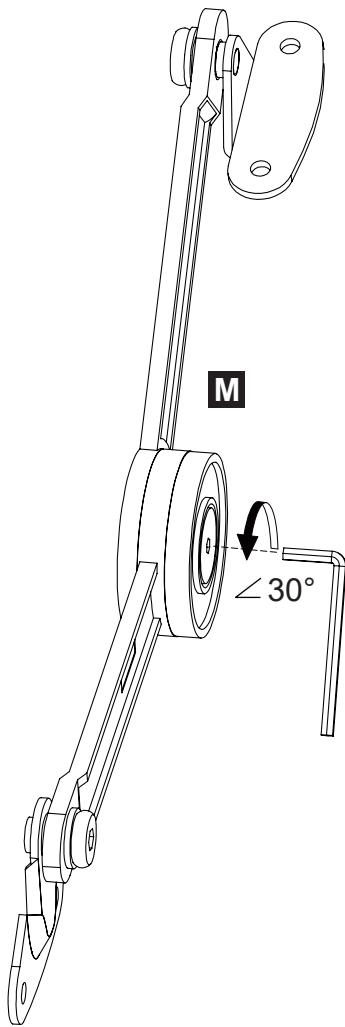
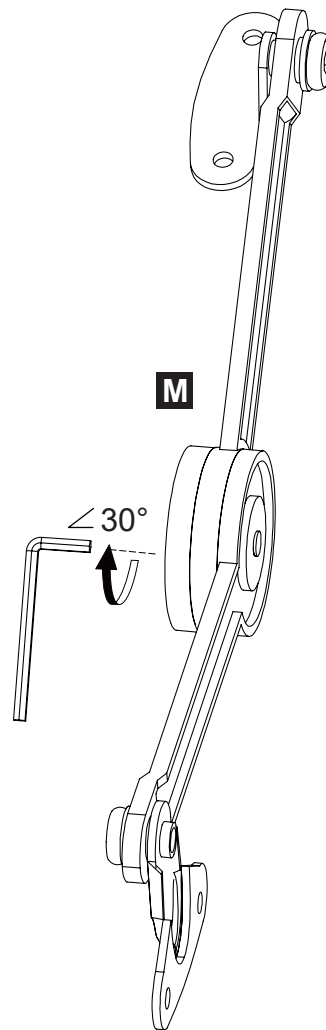
x2

19


Q X1





**REMARK**

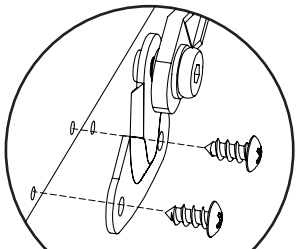
Please loosen the screws by **30°**, but do not unscrew them completely!!!

**Left****Right****x2**

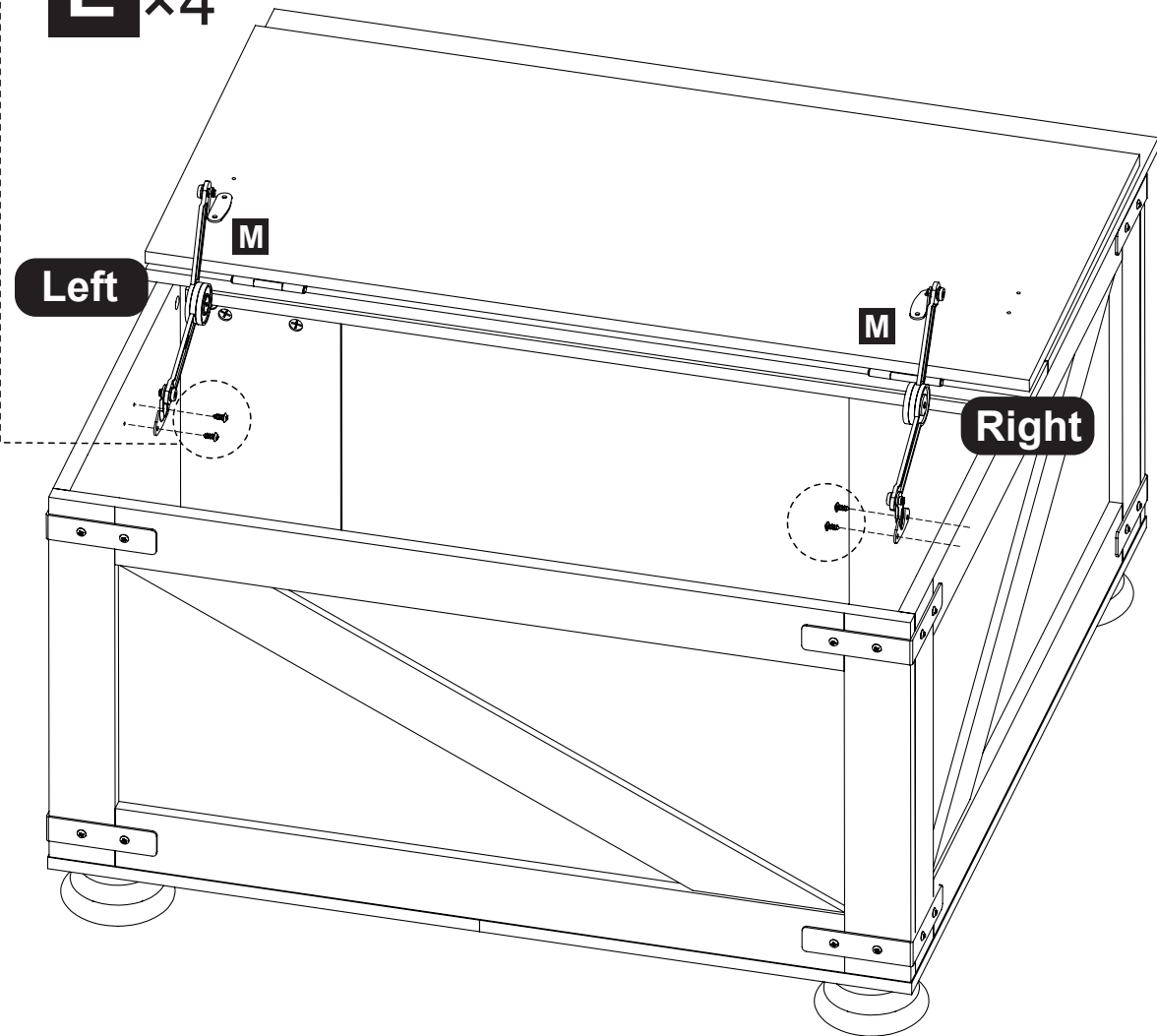
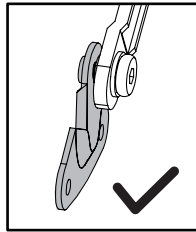
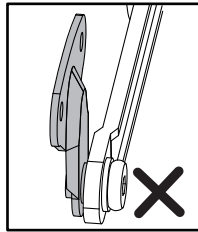
20

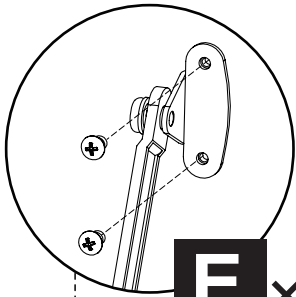
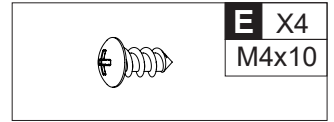
	E X4
	M4x10

- D**  
- E**  

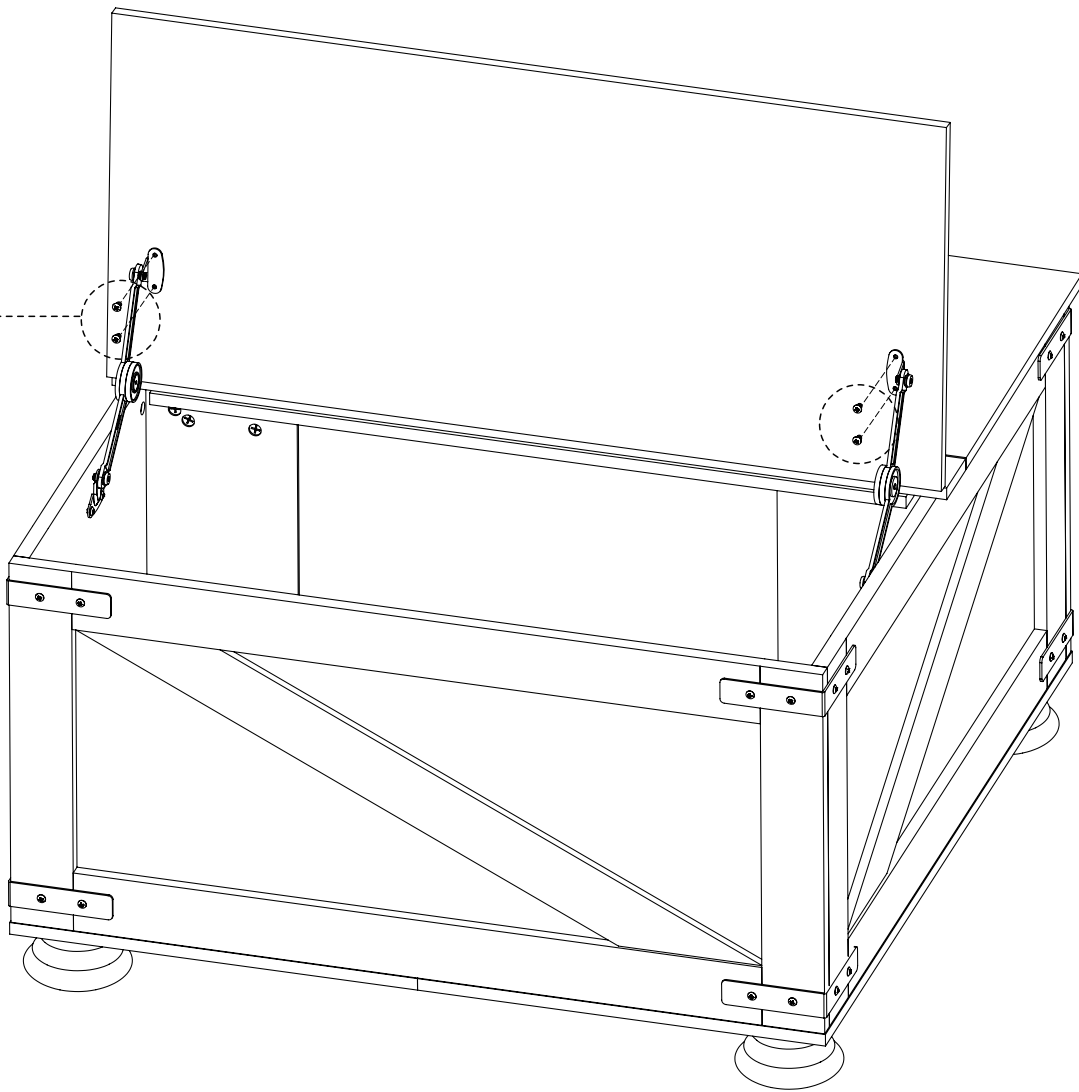
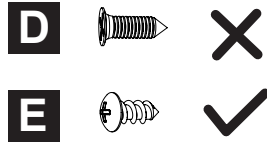


E x4





E x4

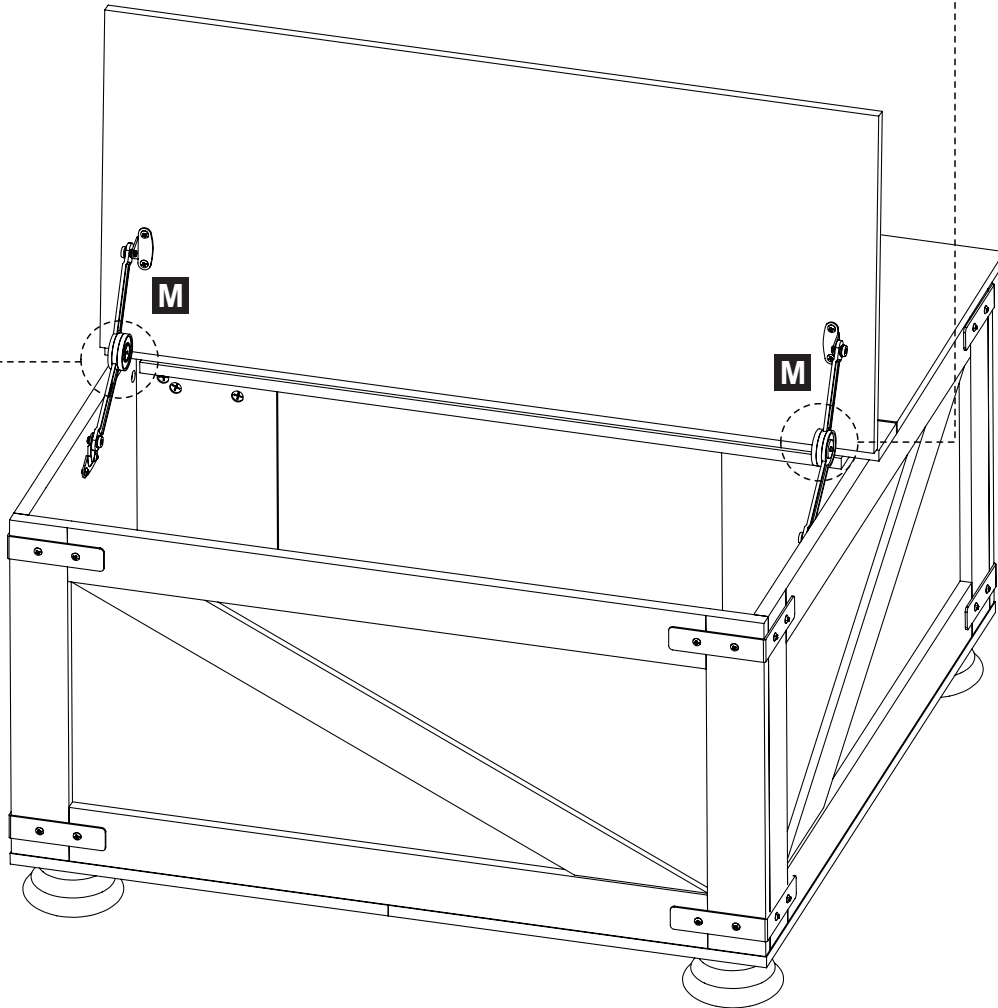
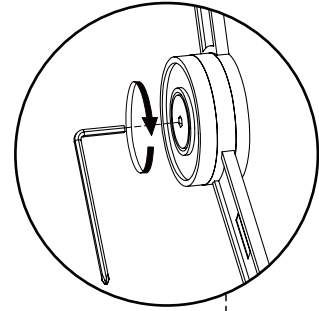
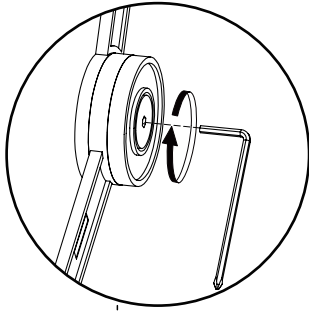


22

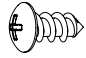
Q X1

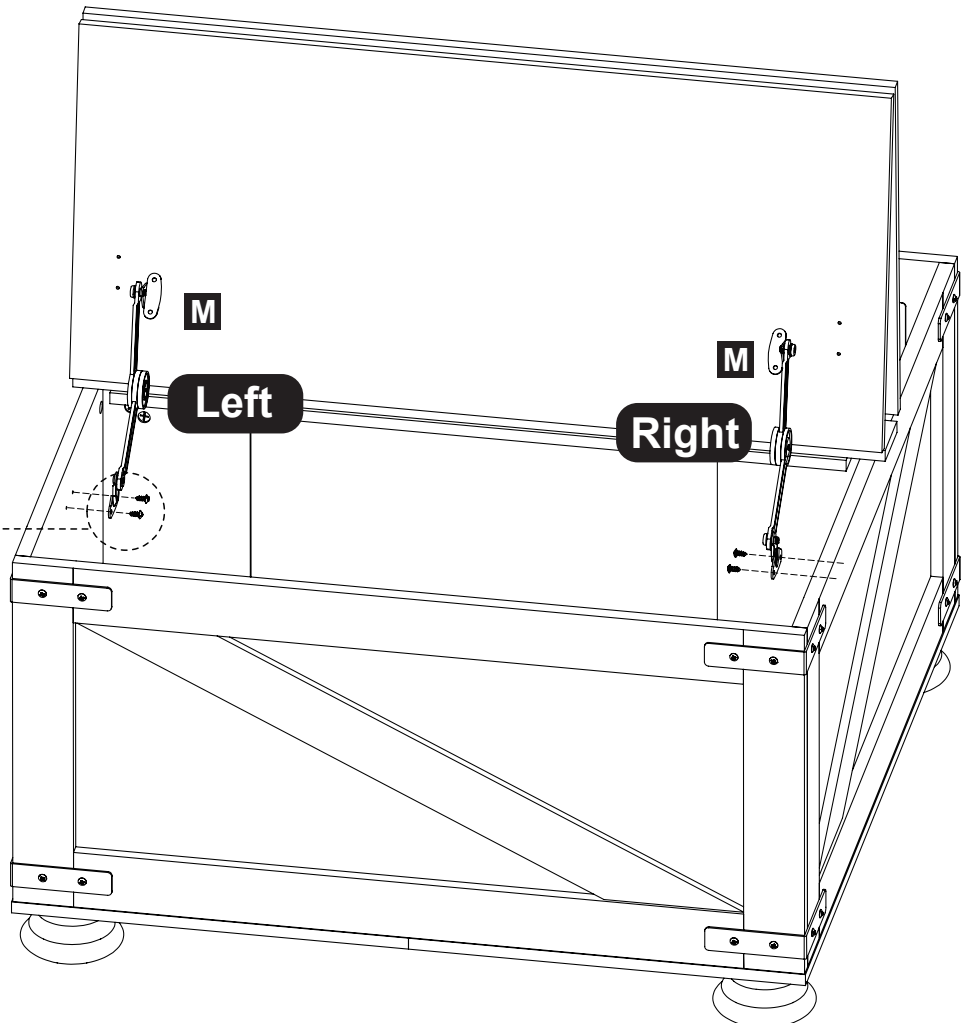
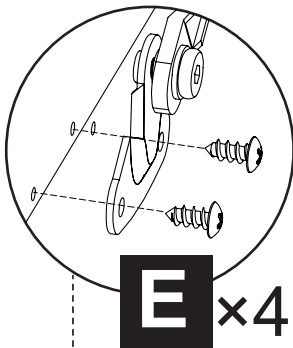
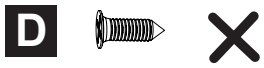
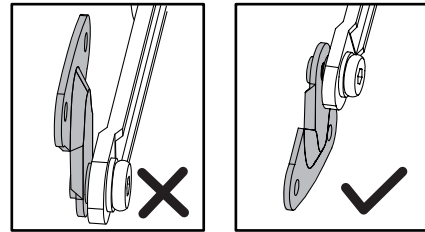
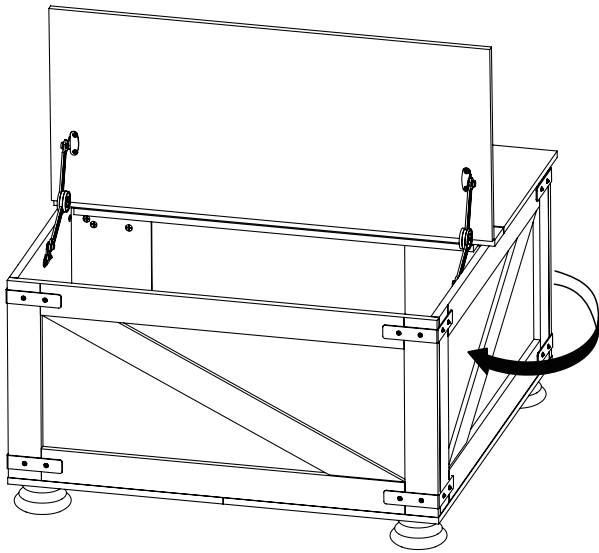
**REMARK**

Please tighten the screws of Part **M**.

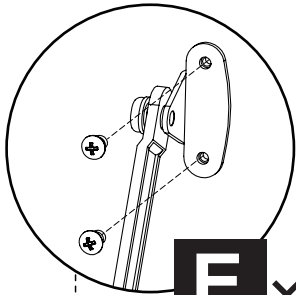
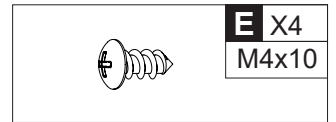


23

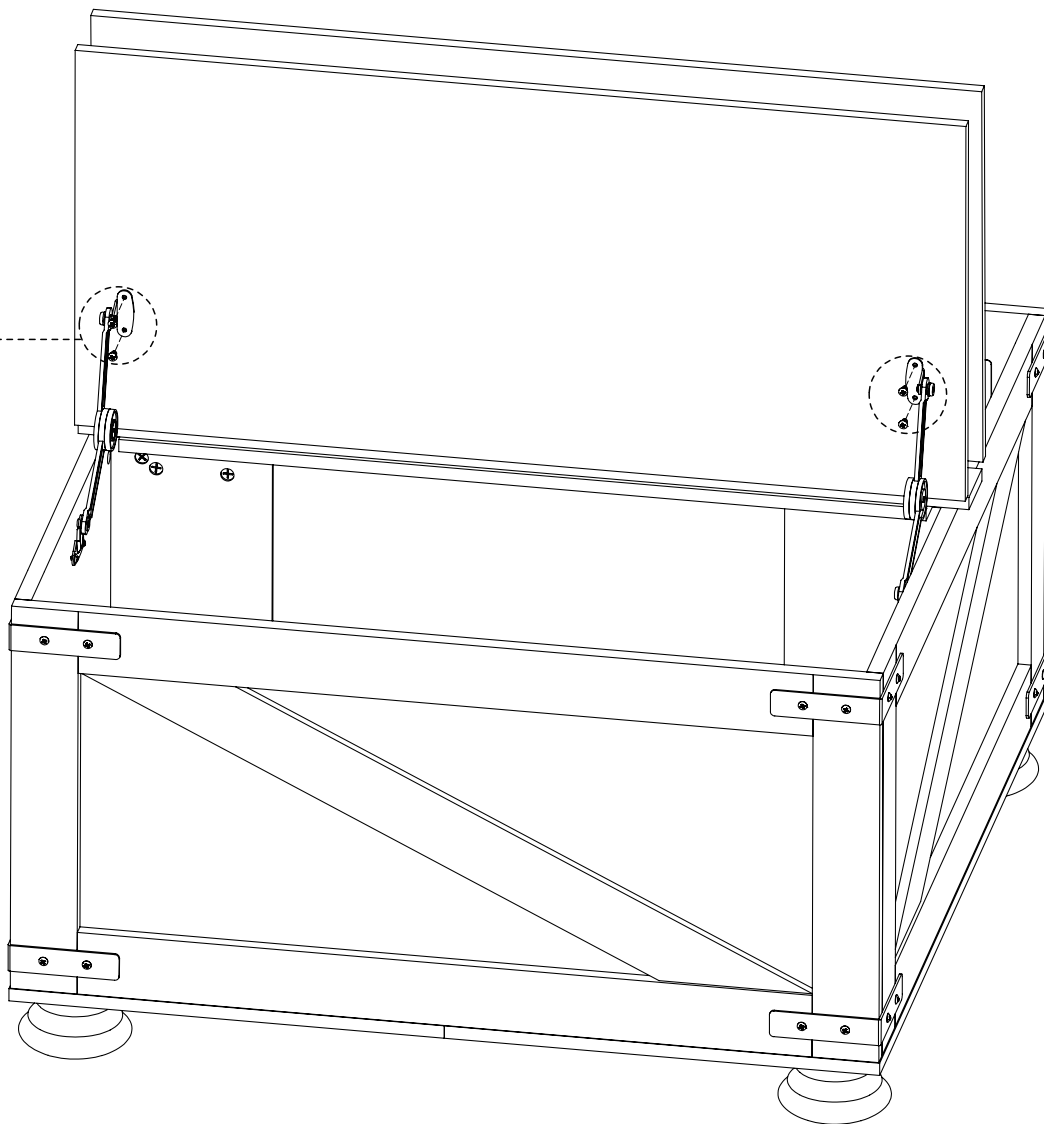
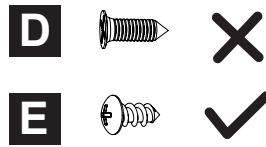
	E X4
	M4x10



24



E x4

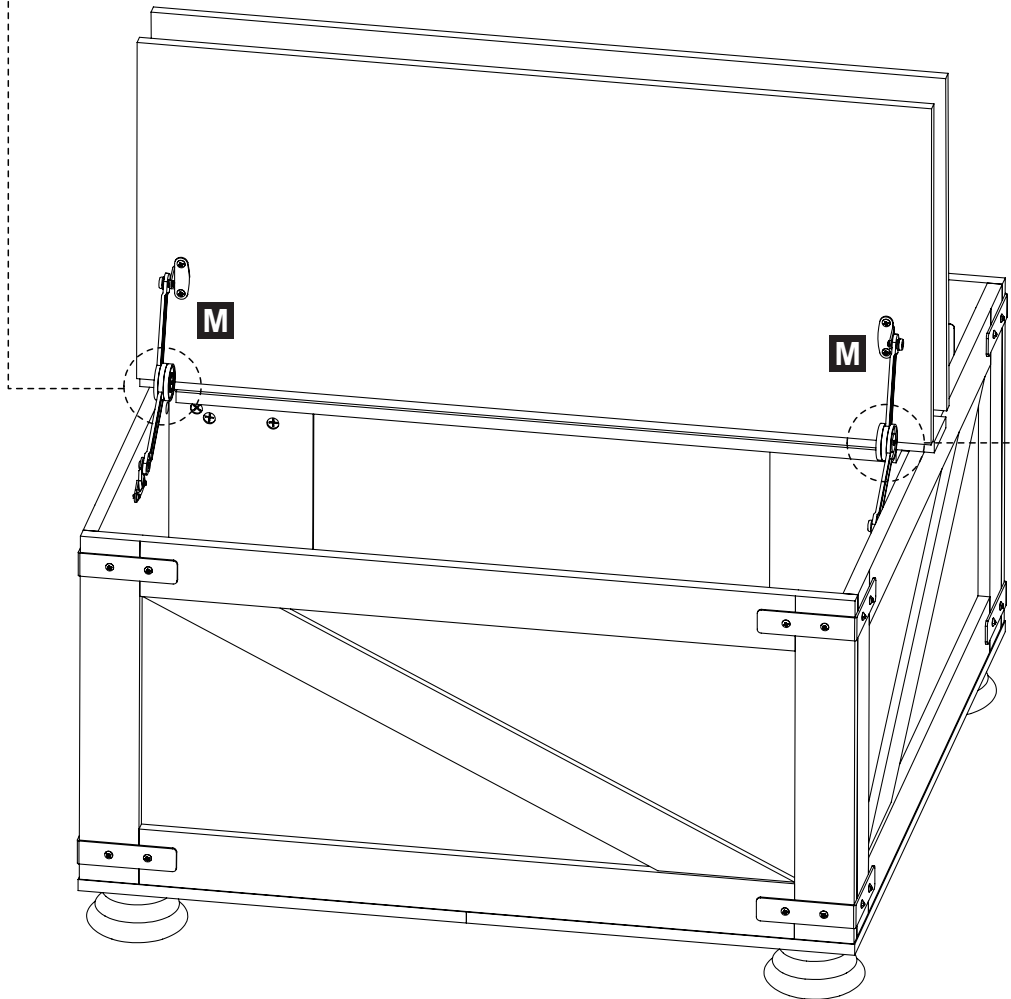
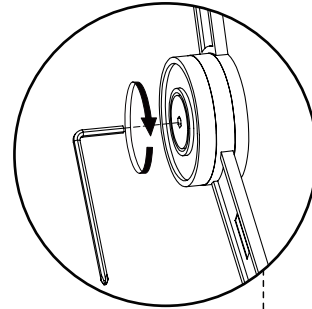
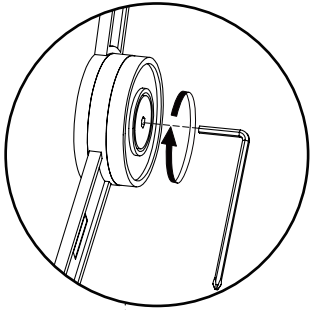


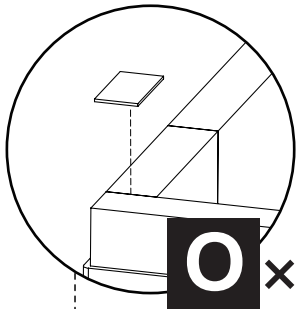
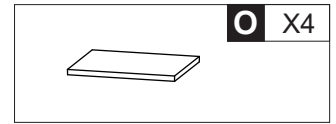
25

Q X1

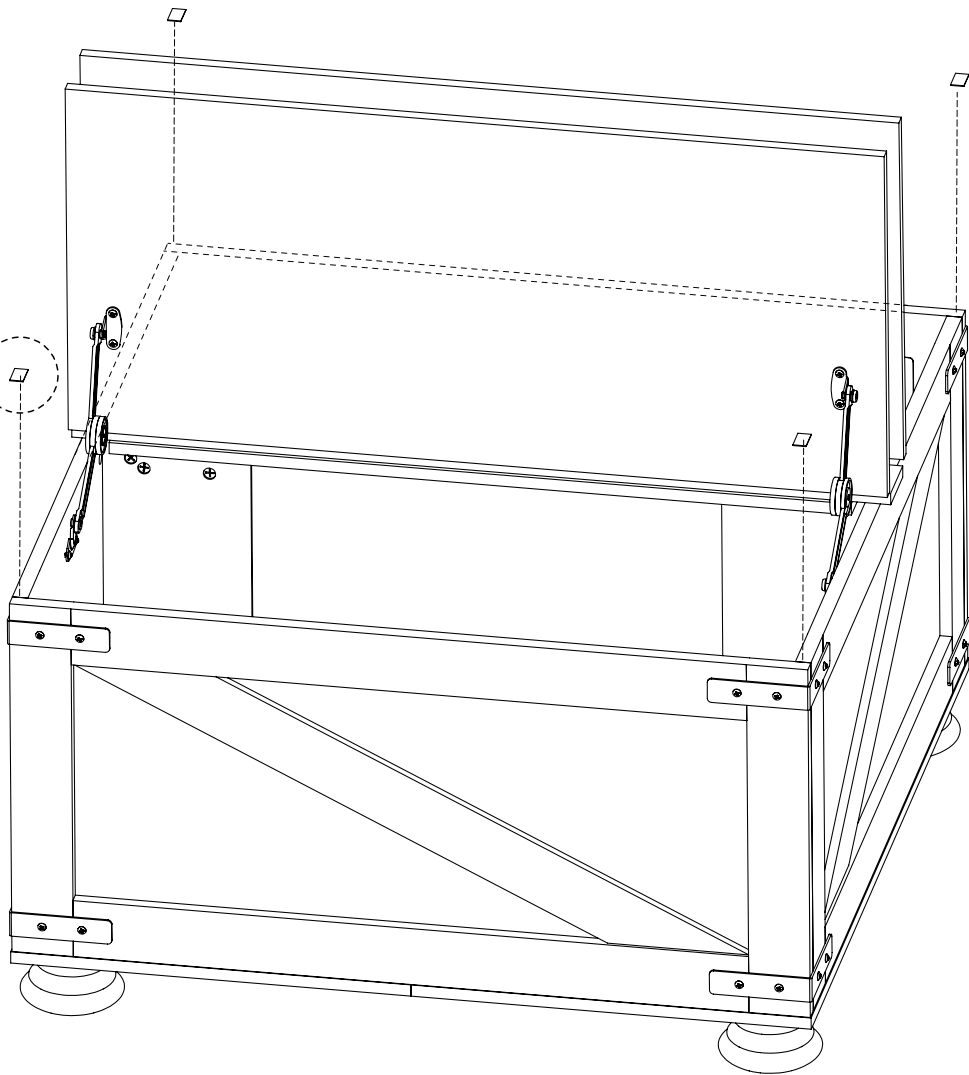
**REMARK**

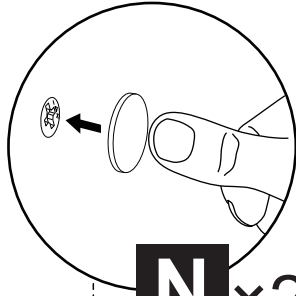
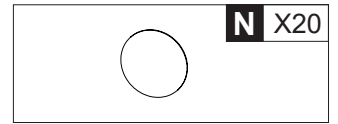
Please tighten the screws of Part **M**.





O x4





N x20

