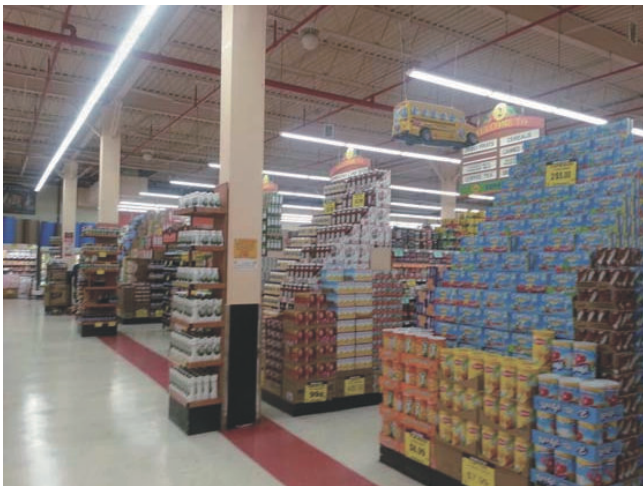


FUDAKIN Magic Glass Ceiling Tube merits its label as Magic Tube, as it's approved by UL (Dual Mode, Type A and Type B), FCC and DLC. It can not only be operated on electronic ballasts as Type A, but also be used without ballasts as Type B. Directly replacement for traditional fluorescent lamp.



### ● Features

- Outstanding optical design providing an efficient light source
- Wide Input voltage of AC100-277V
- cULus, FCC & DLC certified
- Contains no mercury

### ● Benefits

- Plug and Play as Type A, no need rewire
- Or direct AC input as Type B, bypass the existing ballast
- High efficiency: 110-130LPW
- Energy saving: up to 70%
- Eco-friendly: no UV or IR radiation, mercury free, no flickering
- Safe transportation: Reliable strong package
- 50,000 Hrs lifetime, 5 years limited warranty

### ● Applications

Commercial buildings, factories, hotels, conference rooms, schools, office, etc.



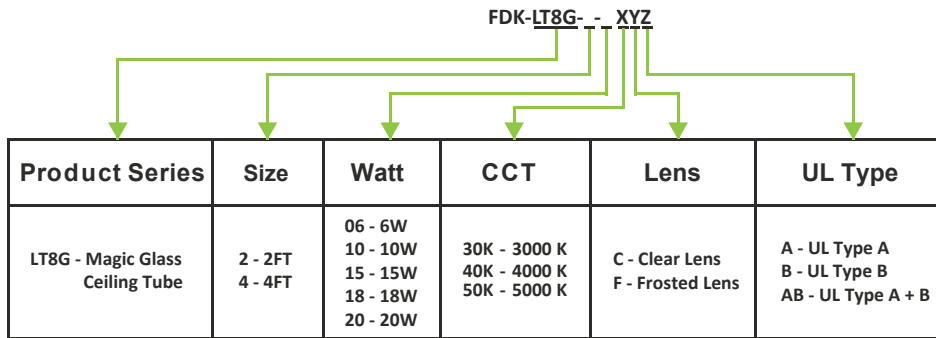
# 5 FIVE YEARS WARRANTY

### Product Parameter

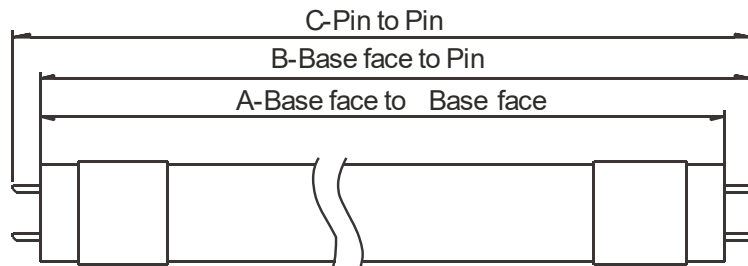
Model	Watt	Input Voltage	Size	CCT	Light Output*	CRI	Beam Angle	Warranty	Material
FDK-LT8G-2-10XYZ	10	AC120-277V	2 FT	3000 K 4000 K 5000 K	≥ 1400 LM	≥ 80	220°	5 Years	Glass
FDK-LT8G-4-12XYZ	12		4 FT		≥ 1700 LM				
FDK-LT8G-4-15XYZ	15				≥ 2100 LM				
FDK-LT8G-4-18XYZ	18				≥ 2400 LM				
FDK-LT8G-4-20XYZ	20				≥ 2700 LM				

\*The Lumen Output number stated here is based on Tested Data listed in DLC; Wattage listed in DLC may be higher than nominal wattage of Tube as ballast was used for testing and the power dissipation for ballast is approx. 3 or 4 wattage.

### Product Ordering code



### Outline Drawing & Overall Size



Model	A	B	C
4FT	1198.4mm/47.18"	1205.4mm/47.46"	1212.6mm/47.74"
3FT	893.6mm/35.18"	900.7mm/35.46"	907.8mm/35.74"
2FT	588.8mm/23.18"	595.9mm/23.46"	603mm/23.74"



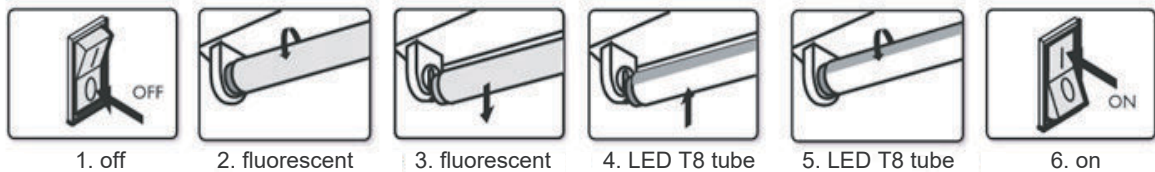
# 5 FIVE YEARS WARRANTY

## INSTALLATION INSTRUCTIONS

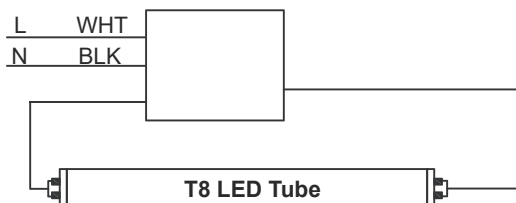
### **⚠ WARNING!**

- Risk of electric shock. Switch off the power before replacement.
- Suitable for dry locations. Do not use where directly expose to water.
- Do not use with dimmers. This device is not intended for use with emergency exits.
- This lamp only operates on electronic ballasts.
- Or be used as Type B lamps, and may be operated directly from the branch circuit(mains) without the need for a fluorescent ballast.
- Caution - risk of fire. Use only in place of fluorescent lamps specified on label or in accordance with its electrical ratings. Do not install this lamp in a pre-heat luminaire.
- Caution - if the lamp or luminaire exhibits undesirable operation (buzzing, flickering, etc.), immediately turn off power, remove lamp from luminaire and contact manufacturer or qualified electrician.

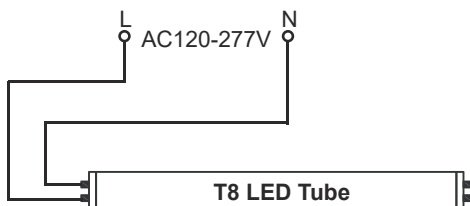
### Installation Diagram



1. Switch of the power before replacement.
2. Remove diffuser (if needed).
3. Remove the existing fluorescent lamp.
4. Verify the existing ballast is on our ballast list or not.
  - If led tube can be compatible with existing ballast:  
Plug T8 LED tube into lamp holders of existing fixture.  
Put on diffuser (if removed in step 2)  
Turn on power and check the light distribution.



- If LED tube can't work with existing ballast or the ballast doesn't work:  
A qualified electrician is needed and,  
Remove the existing ballast and rewire as AC 100-277V input  
Put on LED tube into the lamp holders of existing fixture.  
Put on the cover diffuser (if needed)  
Turn on the power and check the light distribution.



**5 FIVE YEARS WARRANTY**