

Installation Instructions

End Table

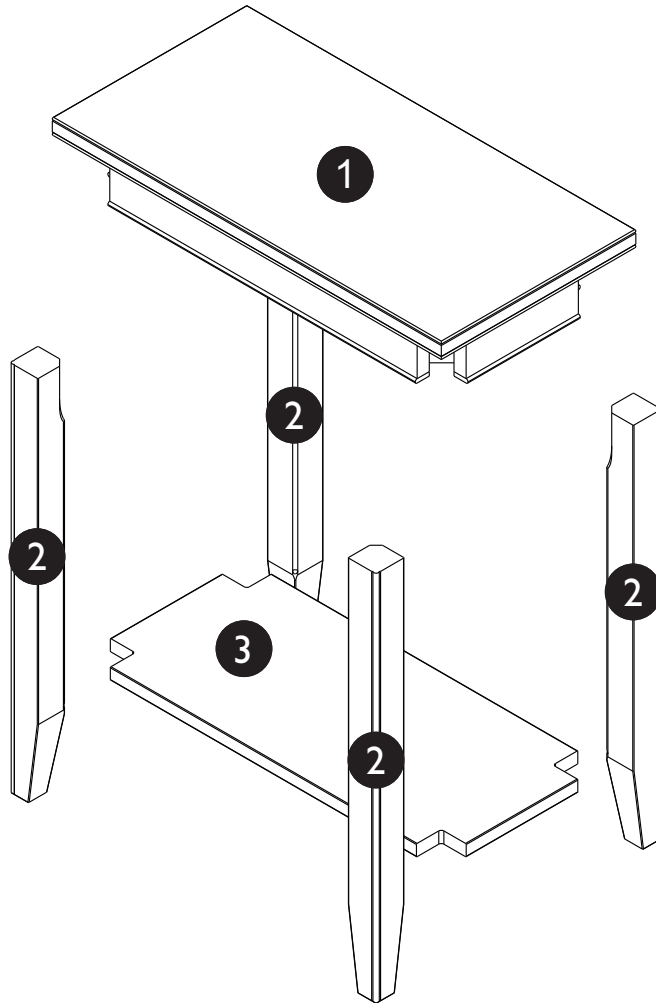


Installation Instructions

End Table


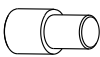
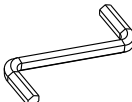
PARTS INCLUDED

Please confirm all parts are available before starting assembly.



HARDWARE INCLUDED

Please confirm all hardware are available before starting assembly.

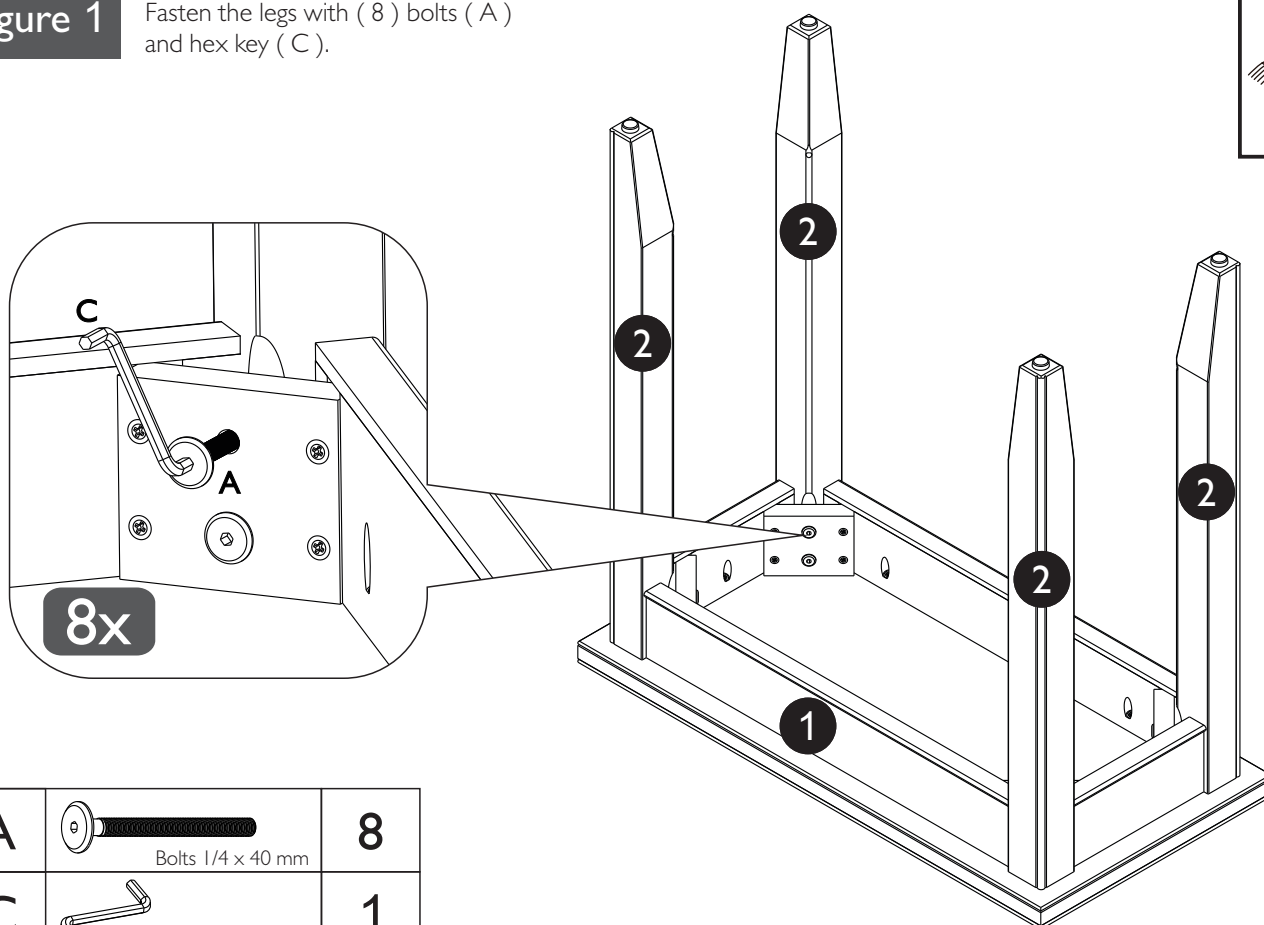
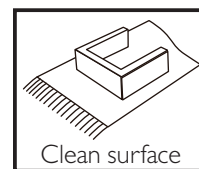
Ref.		Qty.
A	 Bolts 1/4 x 40 mm	8
B	 Shelf Support	4
C	 Hex Key	1

Installation Instructions

End Table

Figure 1

Fasten the legs with (8) bolts (A) and hex key (C).



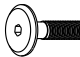
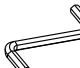
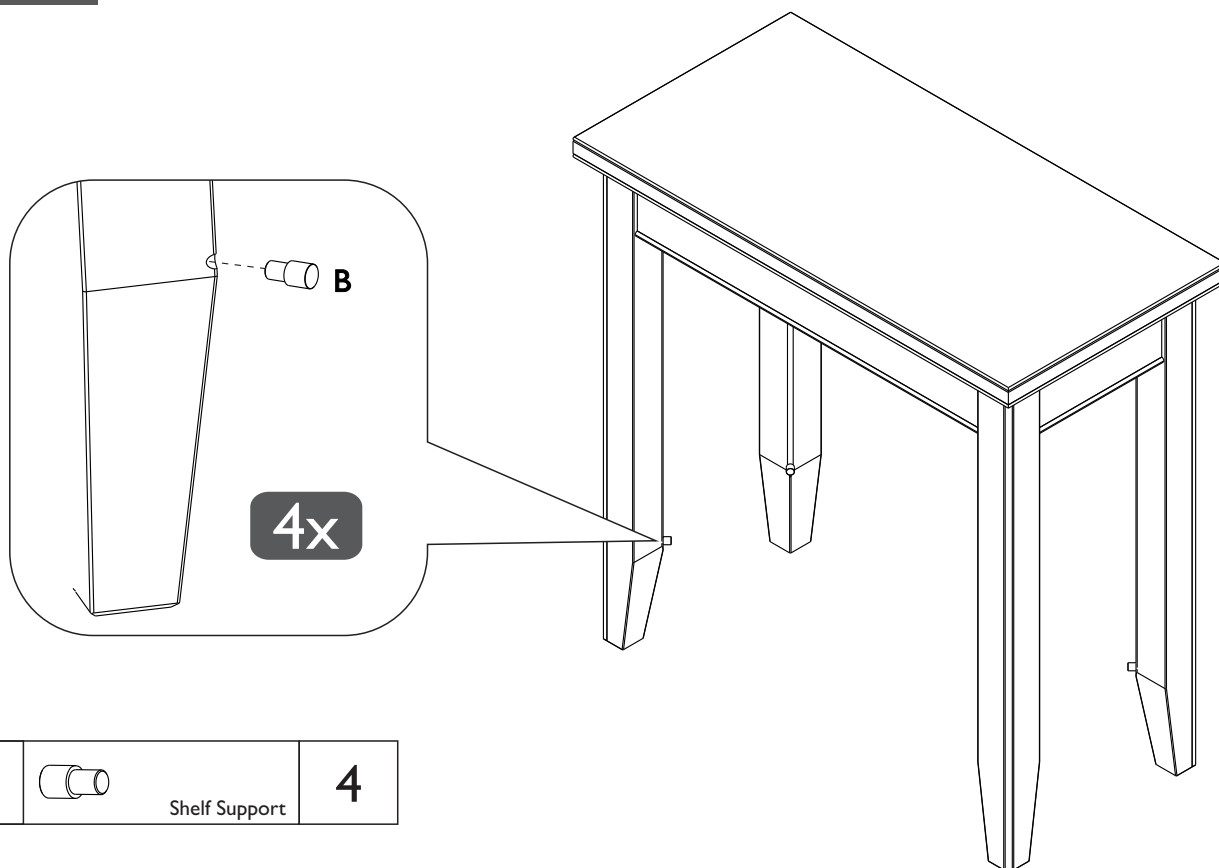
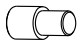
A	 Bolts 1/4 x 40 mm	8
C	 Hex Key	1

Figure 2

Insert the shelf supports into the holes.



B	 Shelf Support	4
----------	--	----------

Installation Instructions

End Table

Figure 3

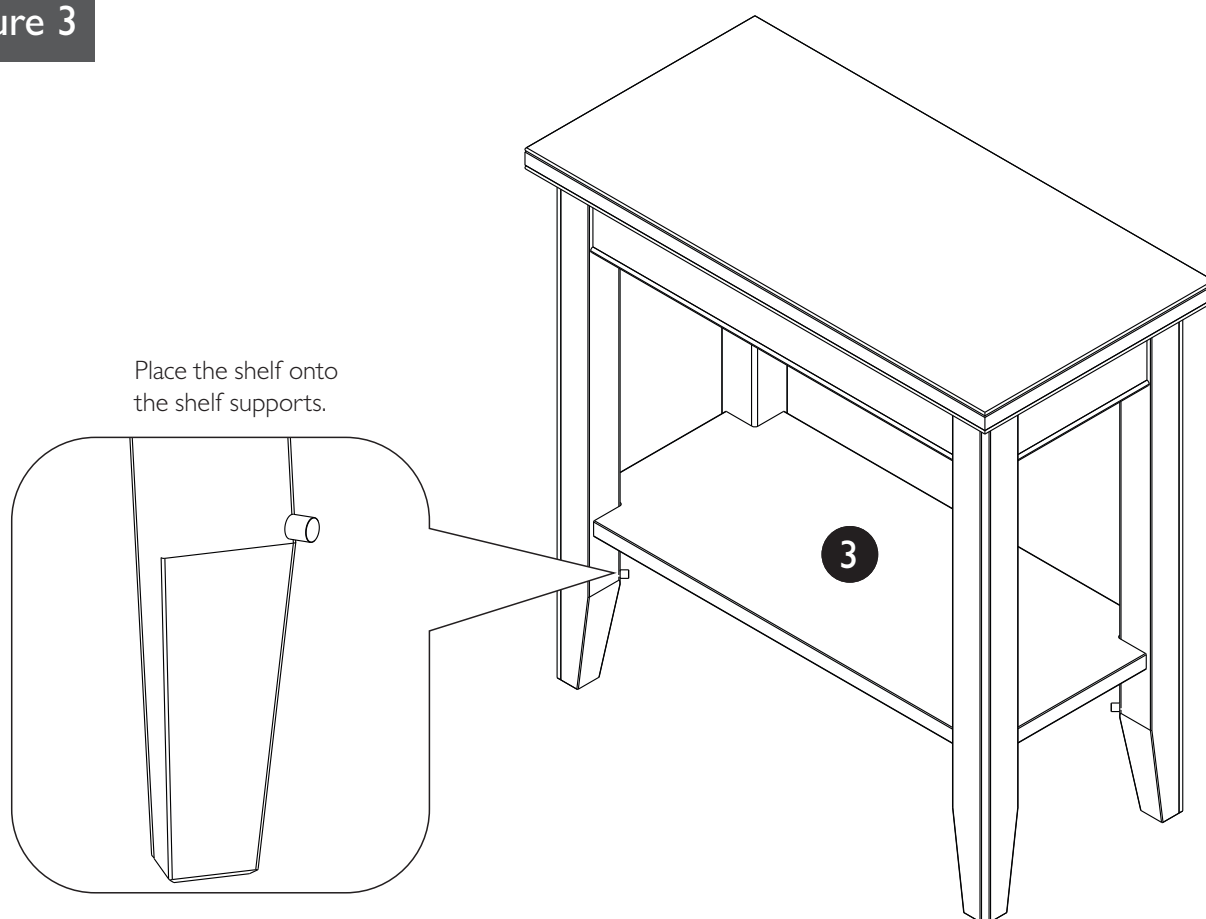
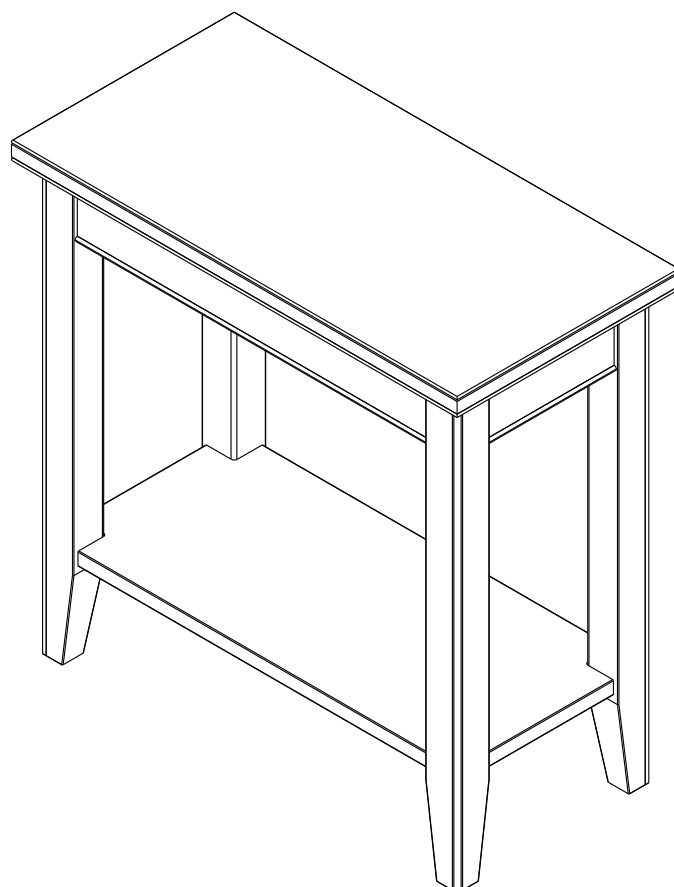


Figure 4



Final Assembly