

MX19189-5BK-P  

---

OPERATIONS MANUAL



4 MODERN  
4 HOME

# Assembly & Installation Instructions

Dear Customer:

Thank you for your business!

If you have any questions or problems, please send us an email to support@4modernhome.com or call us at 469-312-6428. We will do everything possible to make you completely satisfied with your purchase.

Product reviews help future customers to make their purchase decision. You are encouraged to share your experience by leaving a short product review on the platform where you bought this product.

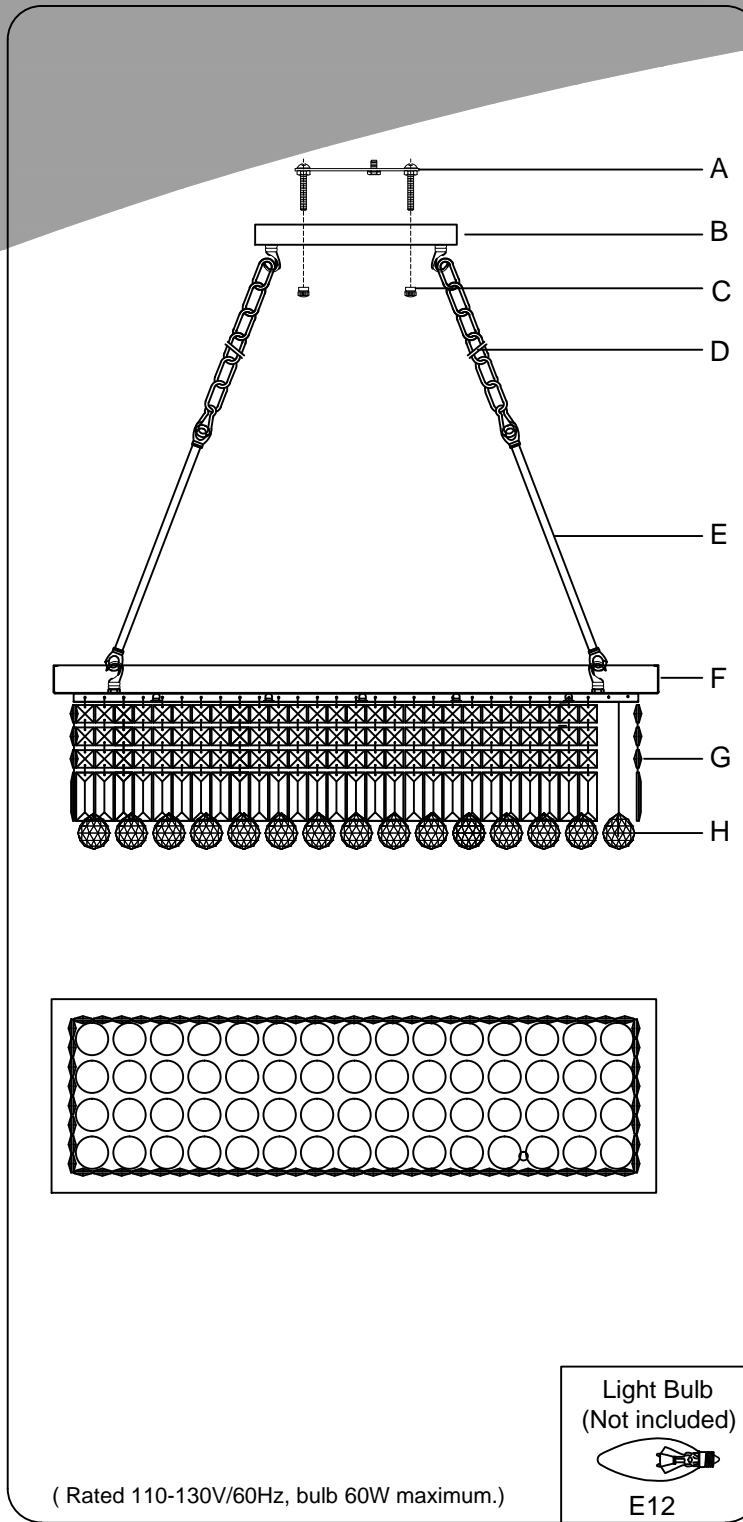
Thank you!

Zgear Team

**Warning:** If any special control devices are used with this fixture, follow the instructions carefully to assure full compliance with N.E.C.requirements. If there are any questions, contact a qualified electric contractor.

**Warning:** California Residents Proposition 65 This product contains lead, a chemical known to the state of California to cause cancer and birth defects or other reproductive harm. Do not place the product in your mouth. Wash your hands after handling this product.

**Caution:** It is highly recommended to get an electrician to install this light. Please make sure to turn the electricity off at the main circuit breaker before beginning installation. All glass is fragile. Use care when handling glass component(s) and/or lamp(s).



## WIRE CONNECTION DIAGRAM

Wires meeting safety standards are required to connect the electrical circuit.

**CAUTION:** Risk of fire



Please read all instructions carefully. Before you proceed to install, make sure that the power supply is turned off and remains off until installation is completed.

## PARTS INCLUDED

Code	Part Description	QTY
A	Mounting Bracket	1 PCS
B	Canopy	1 PCS
C	Cover Nut	2 PCS
D	Chain	4 PCS
E	Sling Rod	4 PCS
F	Lamp Body	1 PCS
G	Crystal String	74 PCS
H	Crystal Ball	60 PCS

# Assembly and Installation Steps

## Step3

3A. Lock the crossbar to the junction box of the ceiling by using 2 pcs of 5/32 screws in the accessories bag.

3B. Connect the wires. The hot/positive (+) wire is the one which has writing on it. The negative (-) wire is the one which has no writing.

3C. Cover the ceiling canopy and attach the screws to the canopy.

## Step4

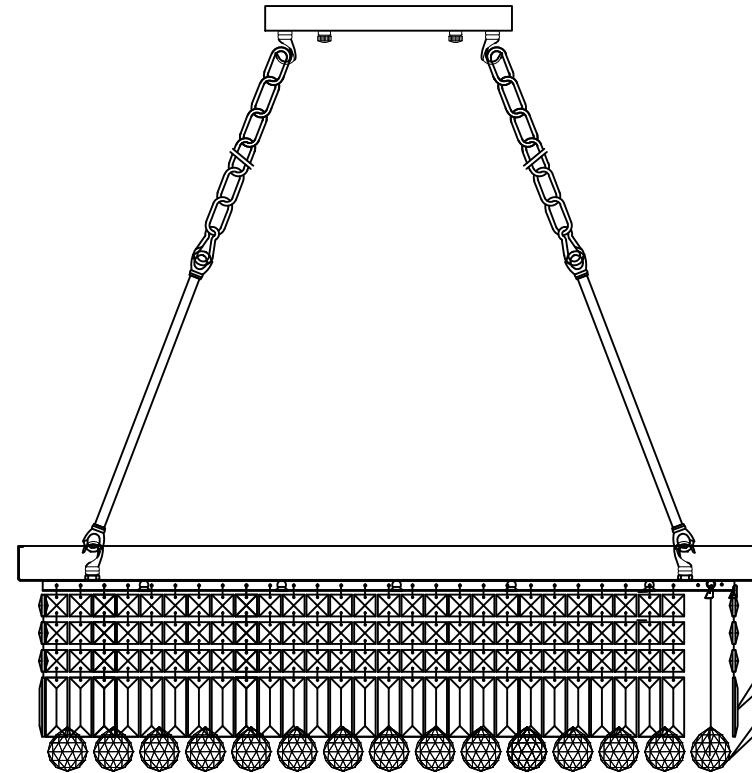
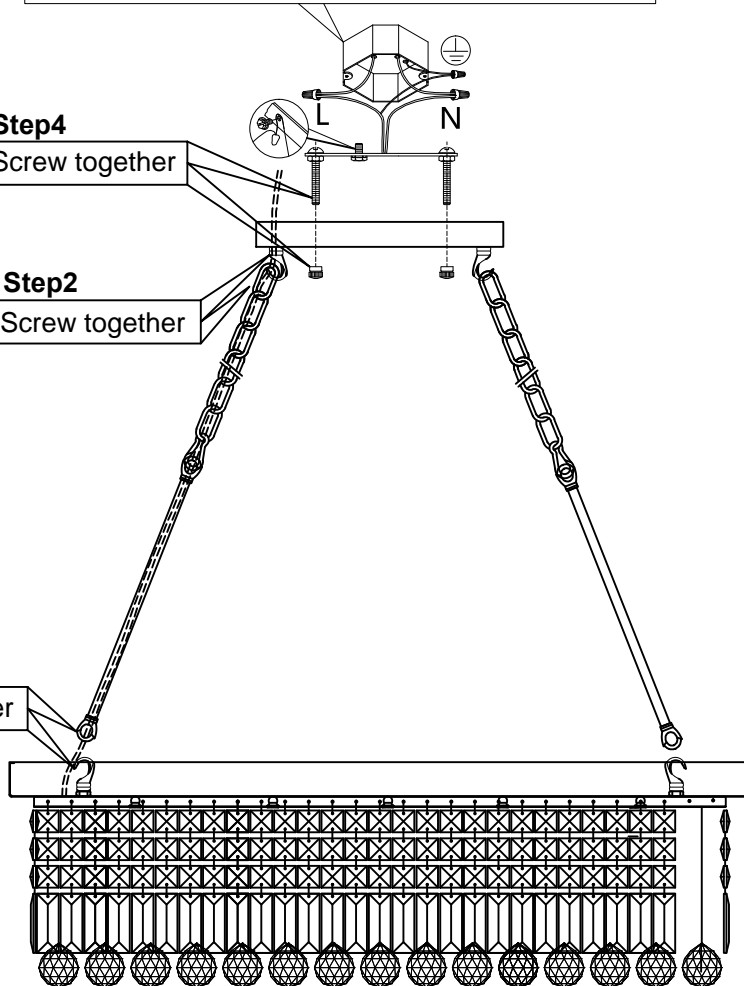
Screw together

## Step2

Screw together

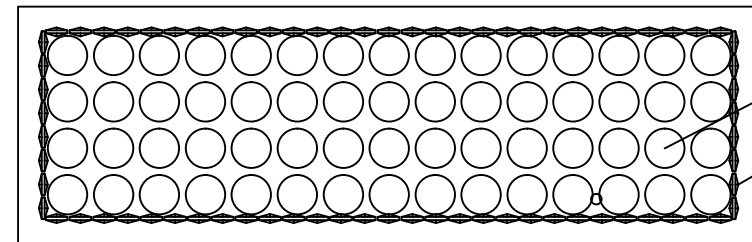
## Step1

Screw together

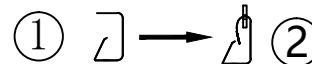


## Step5

Hang the crystals from the metal ring.



The steps of hanging crystals



## Step6

Install 5 E12 bulbs  
Screw together  
(Not included).

