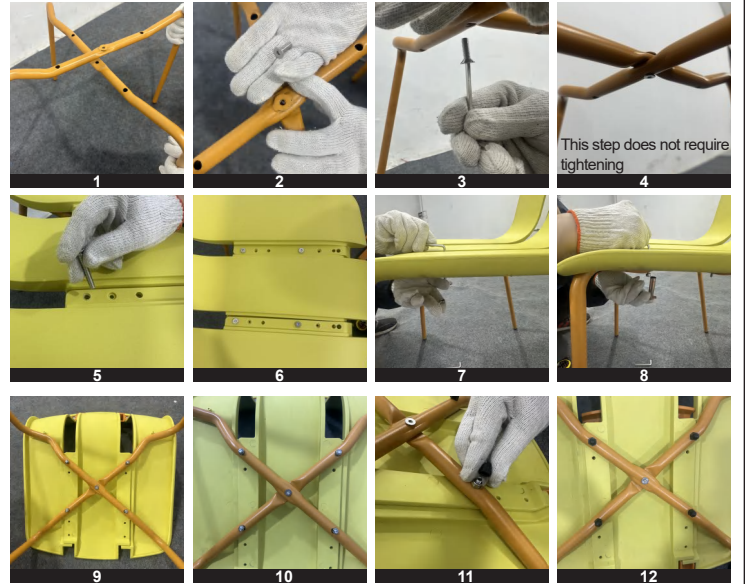
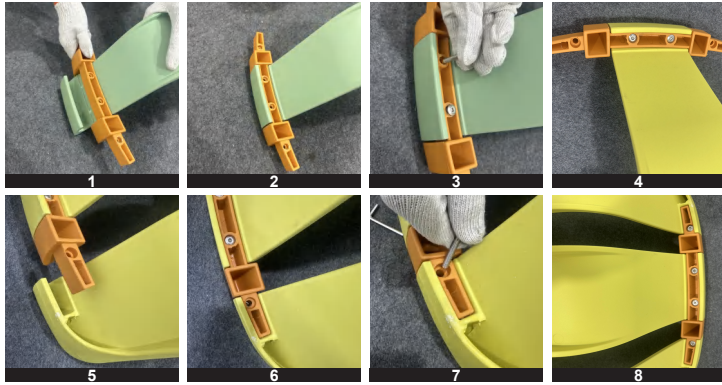
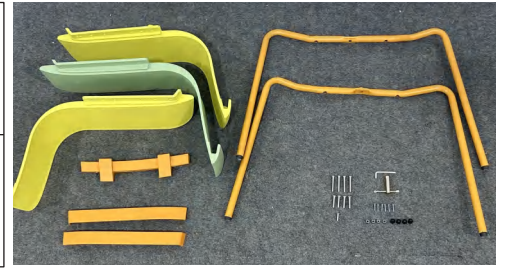
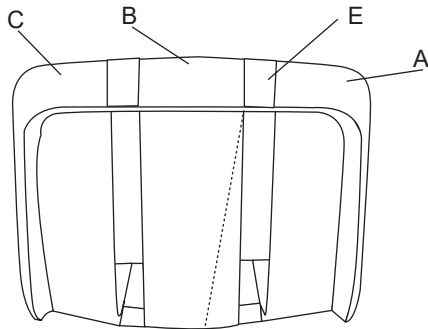


Assembly Instruction

A*1 	B*1 	C*1 	D1*1 	D2*1 	E*1 	F*4 	G1*1
H*4 	I*1 	J*6 	K*4 	L*1 	M*1 	N*4 	G2*1

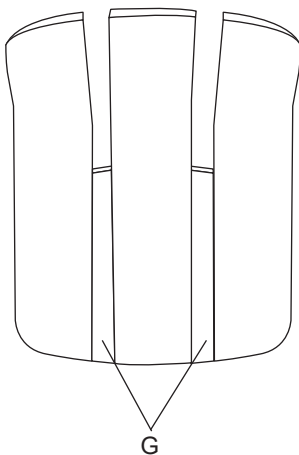
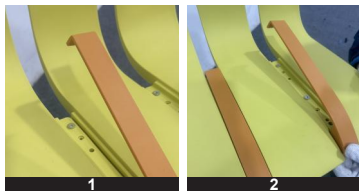


This step does not require tightening

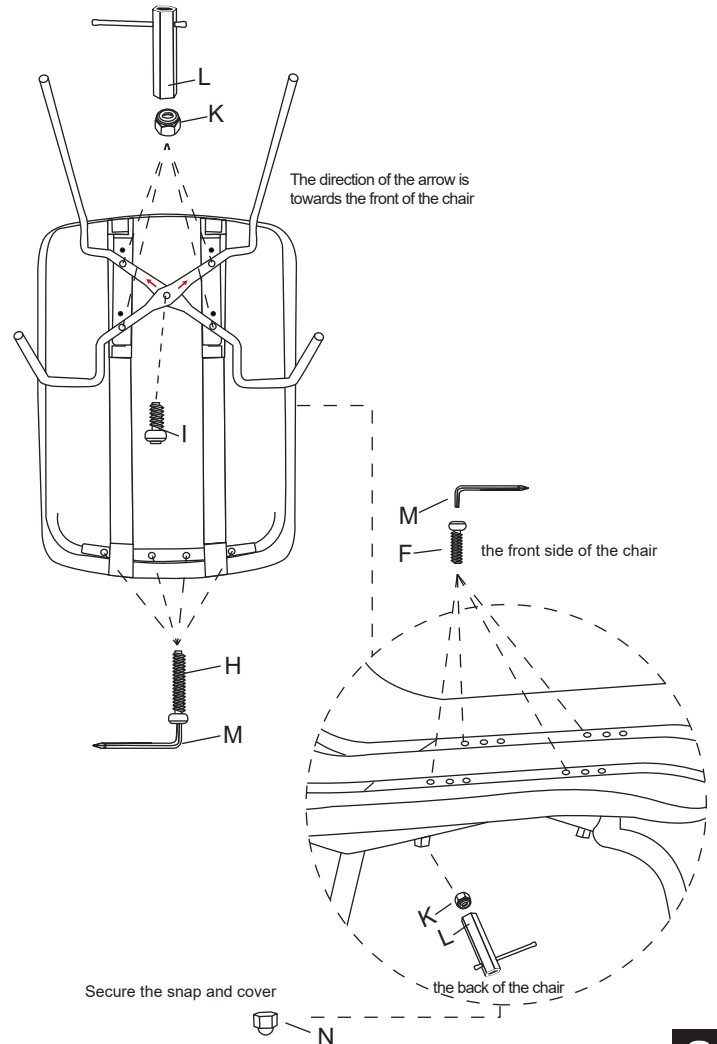


Push Up Into

1



3



Secure the snap and cover

2

