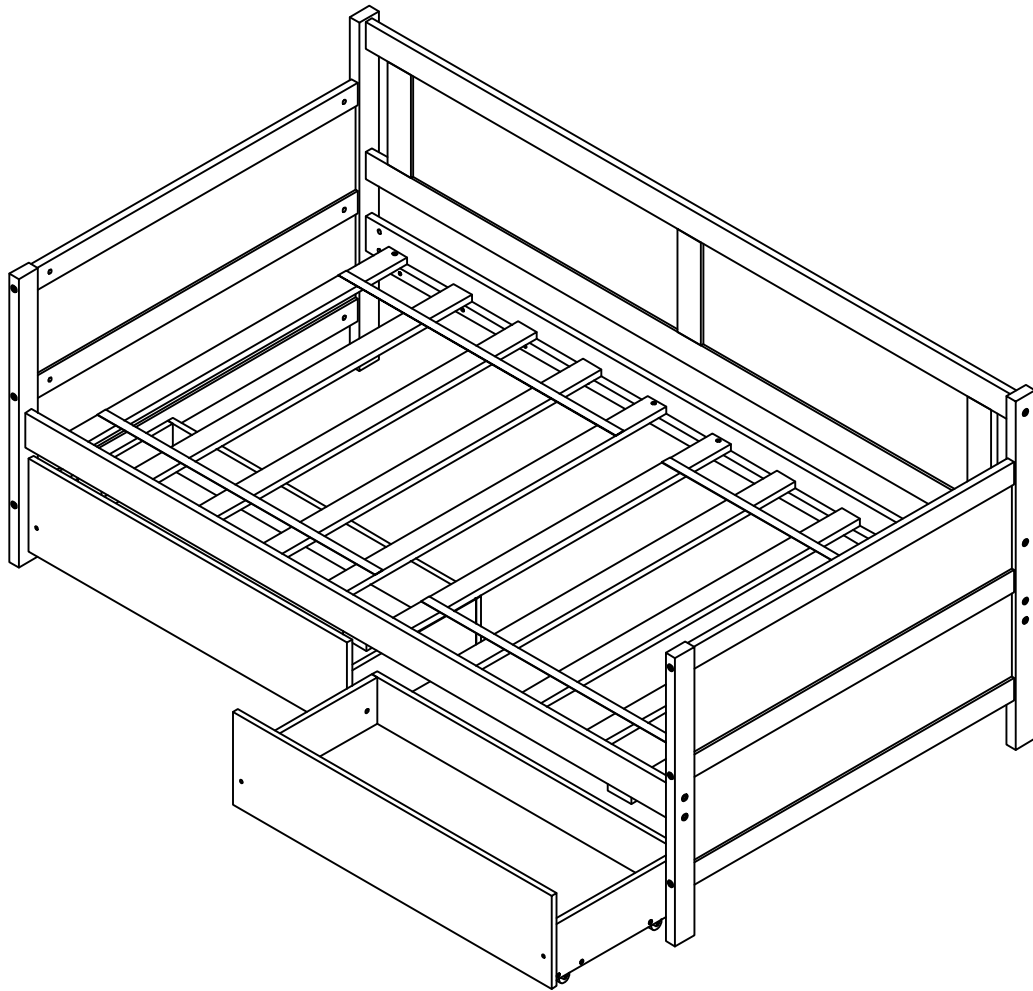
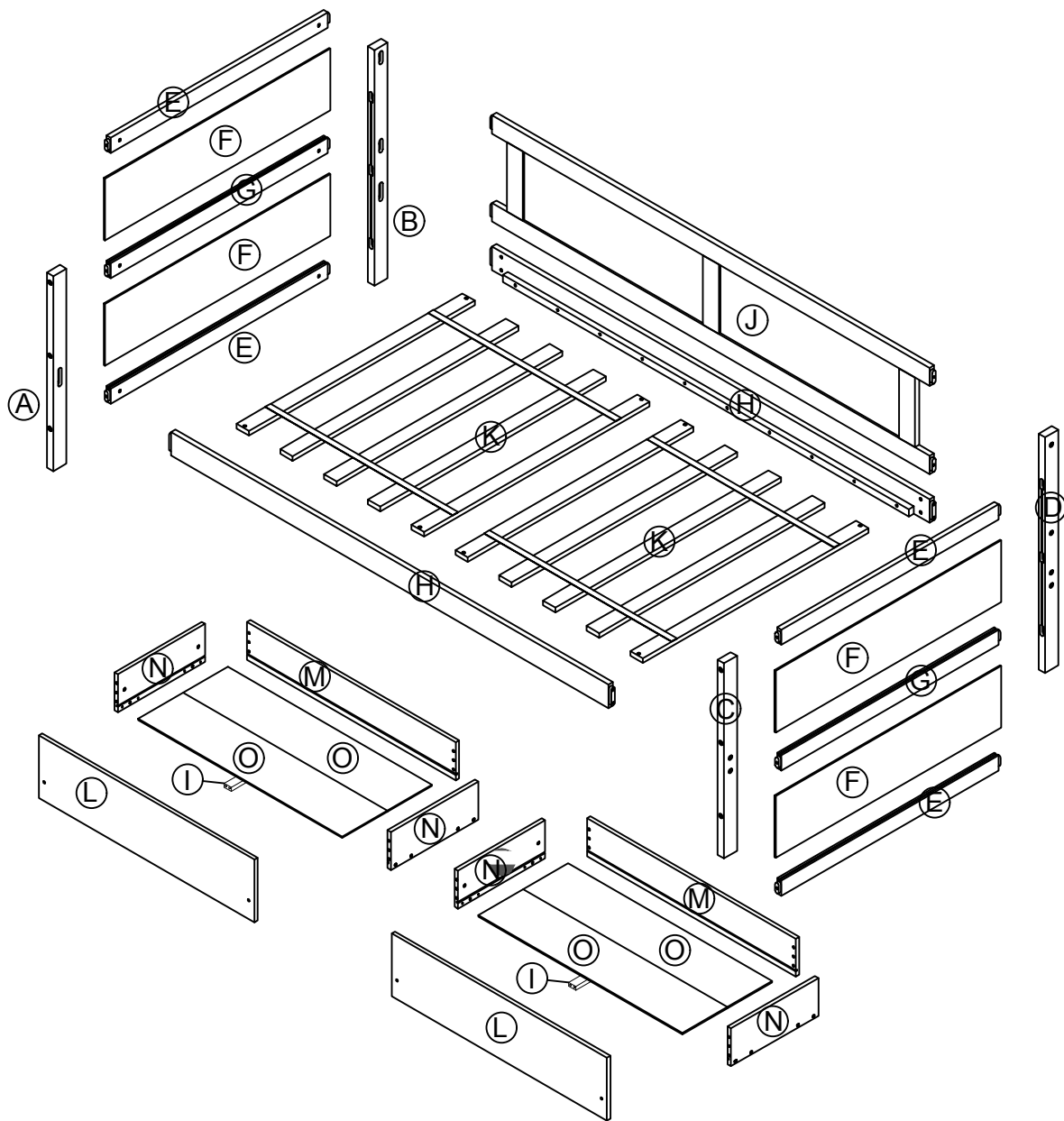






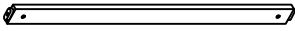



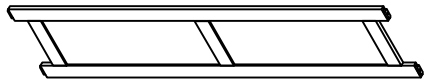
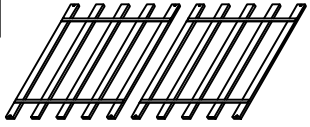
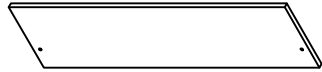
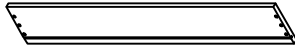



# ASSEMBLY INSTRUCTIONS

## TWIN DAYBED WITH 2 DRAWERS

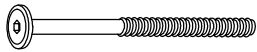
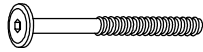


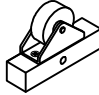

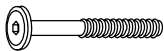
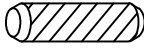
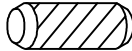
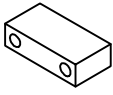




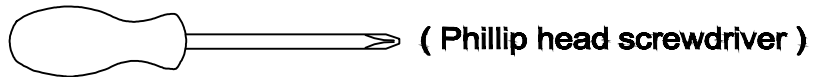
# Part List

<p><b>A</b></p>  <p>Leg (Left Front)- 1pc</p>	<p><b>B</b></p>  <p>Leg ( Left Back)- 1pc</p>	<p><b>C</b></p>  <p>Leg (Right Front)- 1pc</p>
<p><b>D</b></p>  <p>Leg (Right Back)- 1pc</p>	<p><b>E</b></p>  <p>Horizontal bars HB&amp;FB- 4pcs</p>	<p><b>F</b></p>  <p>Side panel (HB&amp;FB) - 4pcs</p>
<p><b>G</b></p>  <p>Horizontal center HB&amp;FB- 2pcs</p>	<p><b>H</b></p>  <p>Side rail (Front &amp; Back)- 2pcs</p>	<p><b>J</b></p>  <p>Guard rail (back)- 1pc</p>
<p><b>K</b></p>  <p>Slats - 10pcs</p>	<p><b>L</b></p>  <p>Drawer front panel- 2pcs</p>	<p><b>M</b></p>  <p>Drawer back panel - 2pcs</p>
<p><b>N</b></p>  <p>Drawer (Left/Right)- 4pcs</p>	<p><b>O</b></p>  <p>Drawer bottom - 4pcs</p>	<p><b>I</b></p>  <p>Drawer support - 2pcs</p>

# Hardware List

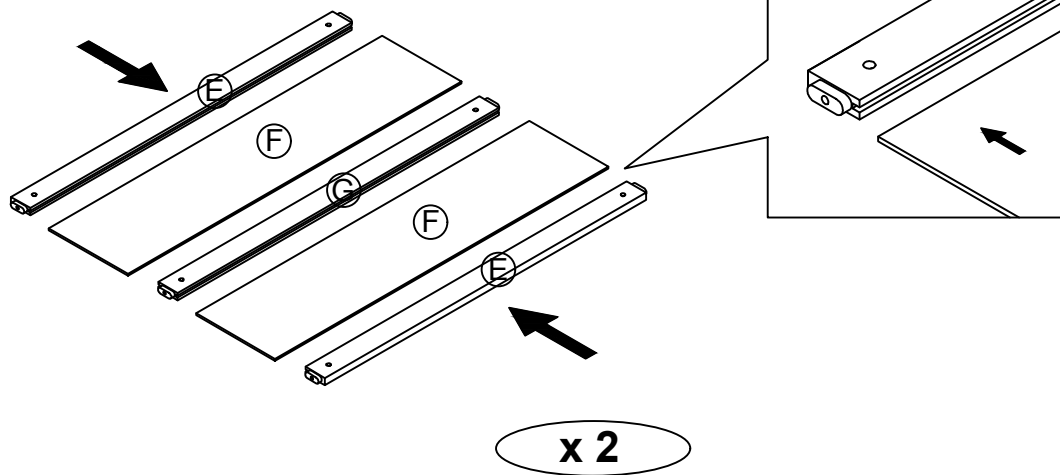
<b>1</b>  Ø15x1/4"x100mm Hex-Head bolts (12pcs)	<b>2</b>  Ø15x1/4"x80mm Hex-Head bolts (12pcs)	<b>3</b>  1/4"*15 (9.5mm) Horizontal-Hole bolts(32pcs)
<b>4</b>  m4x30mm Wood screws (30pcs)	<b>5</b>  100*19*19 mm Wheels (8pcs)	<b>6</b>  (1/4")4.5*58mm Allen key (1pc)
<b>7</b>  Ø15x1/4"x60mm Hex-Head bolts (8pcs)	<b>8</b>  Ø8x30mm Wood dowel (24pcs)	<b>9</b>  Ø10x20mm Wood dowel (8pcs)
<b>10</b>  70*35*19 mm Wood support drawer (3pcs)		

## ASSEMBLY TOOLS REQUIRED ( NOT INCLUDED )

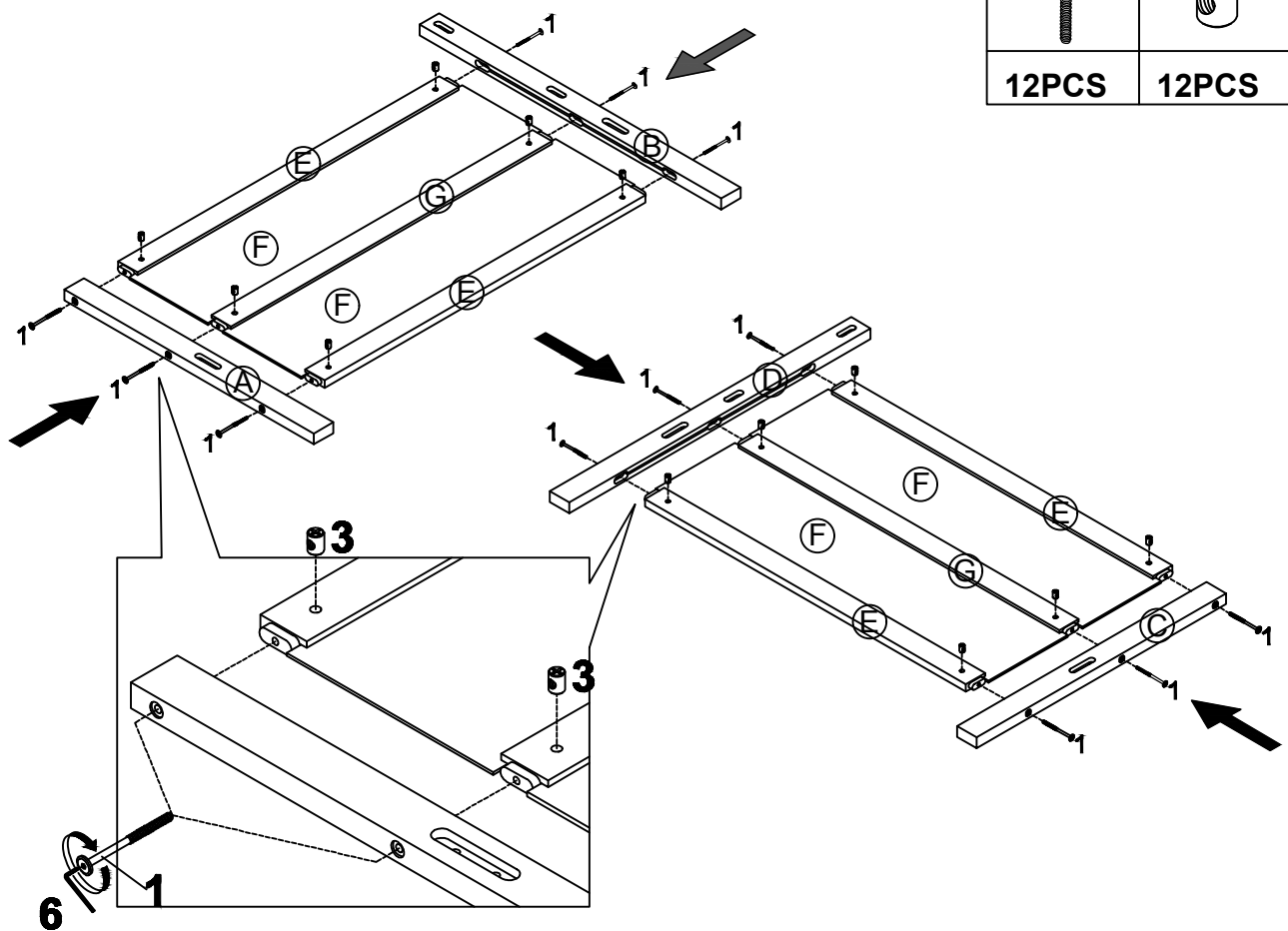


**DO NOT USE POWER TOOLS TO ASSEMBLE THIS PRODUCT !**

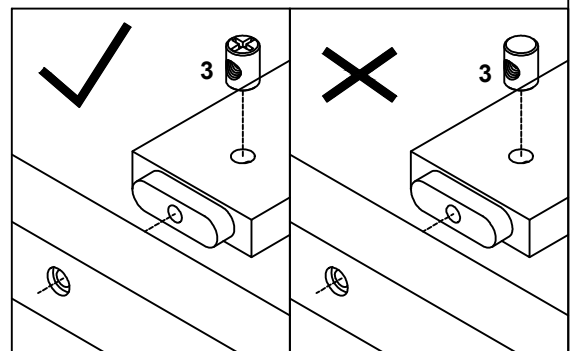
**STEP 1:**




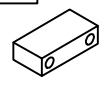
**STEP 2:**

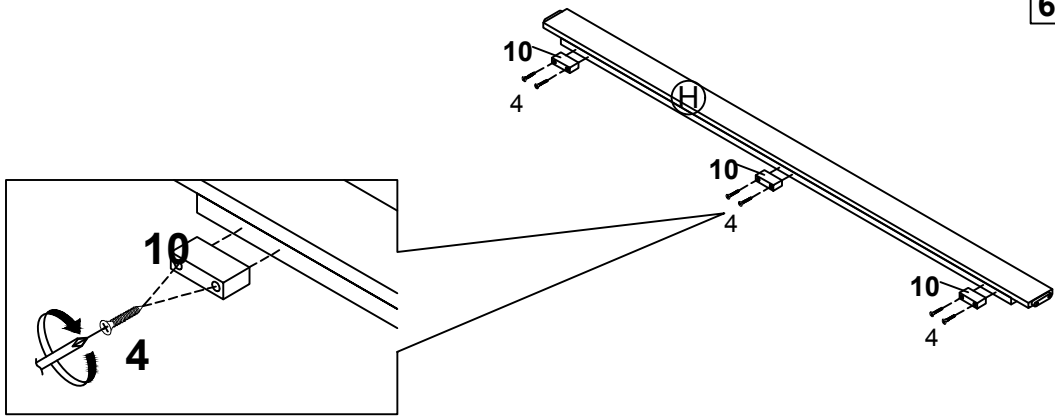


Note: Part 3 will face up with the "x" mark on it, otherwise it cannot be tightened





**STEP 3:**

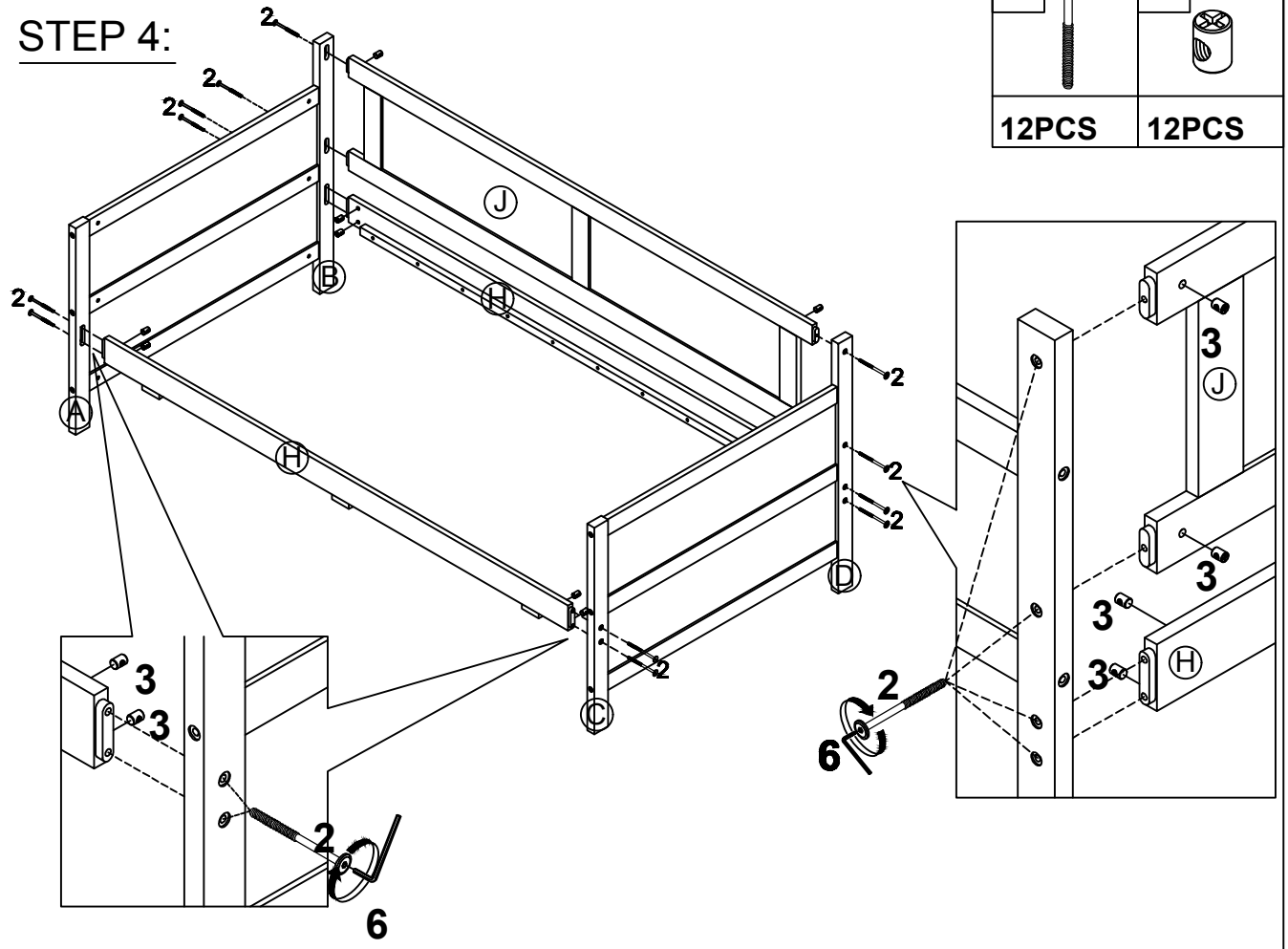
<b>4</b>		<b>10</b>	
<b>6PCS</b>		<b>3PCS</b>	



Wood support drawer (10) with side rail (front) by using screw (4).

**STEP 4:**

<b>2</b>		<b>3</b>	
<b>12PCS</b>		<b>12PCS</b>	

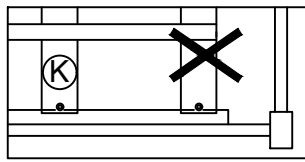
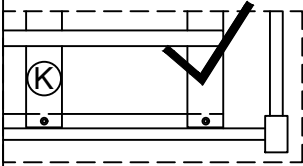
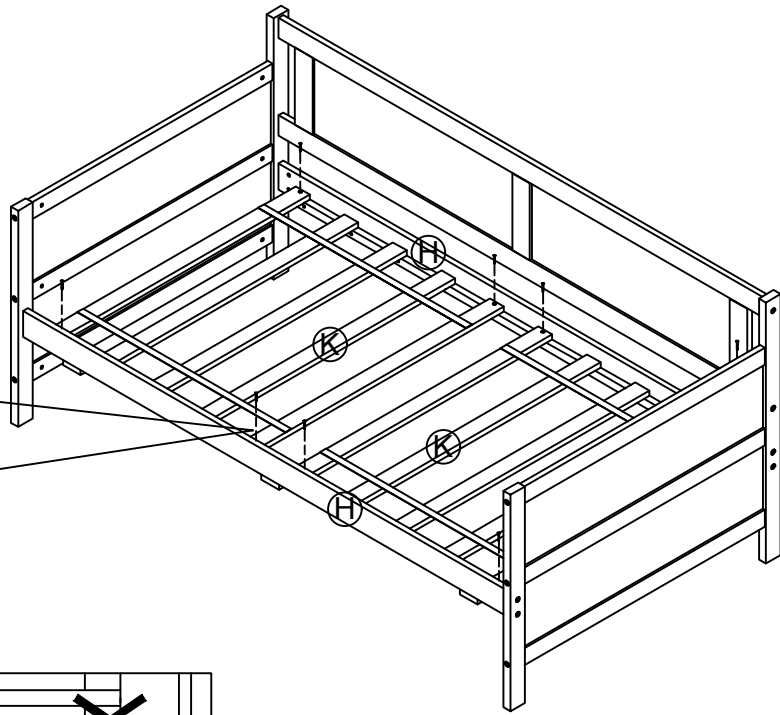
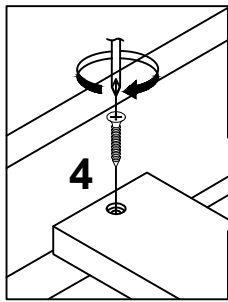


**STEP 5:**

**4**



**8PCS**



Note: Do not lock the screws of the bed slats to the outermost edge of the bed slats, you need to leave a certain space at the edges, otherwise it will cause the board to break

**STEP 6:**

**3**



**4PCS**

**7**

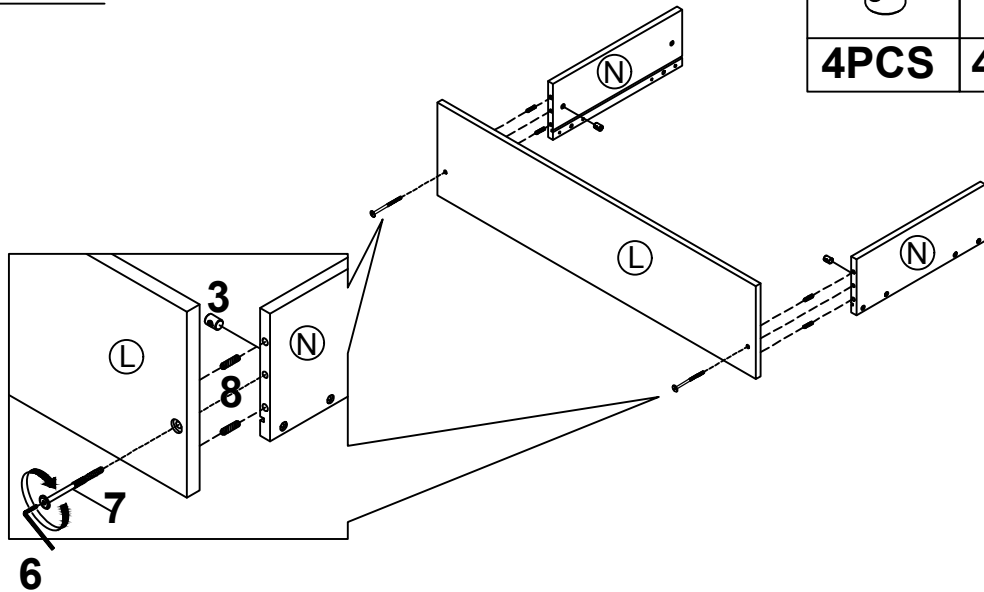


**4PCS**

**8**

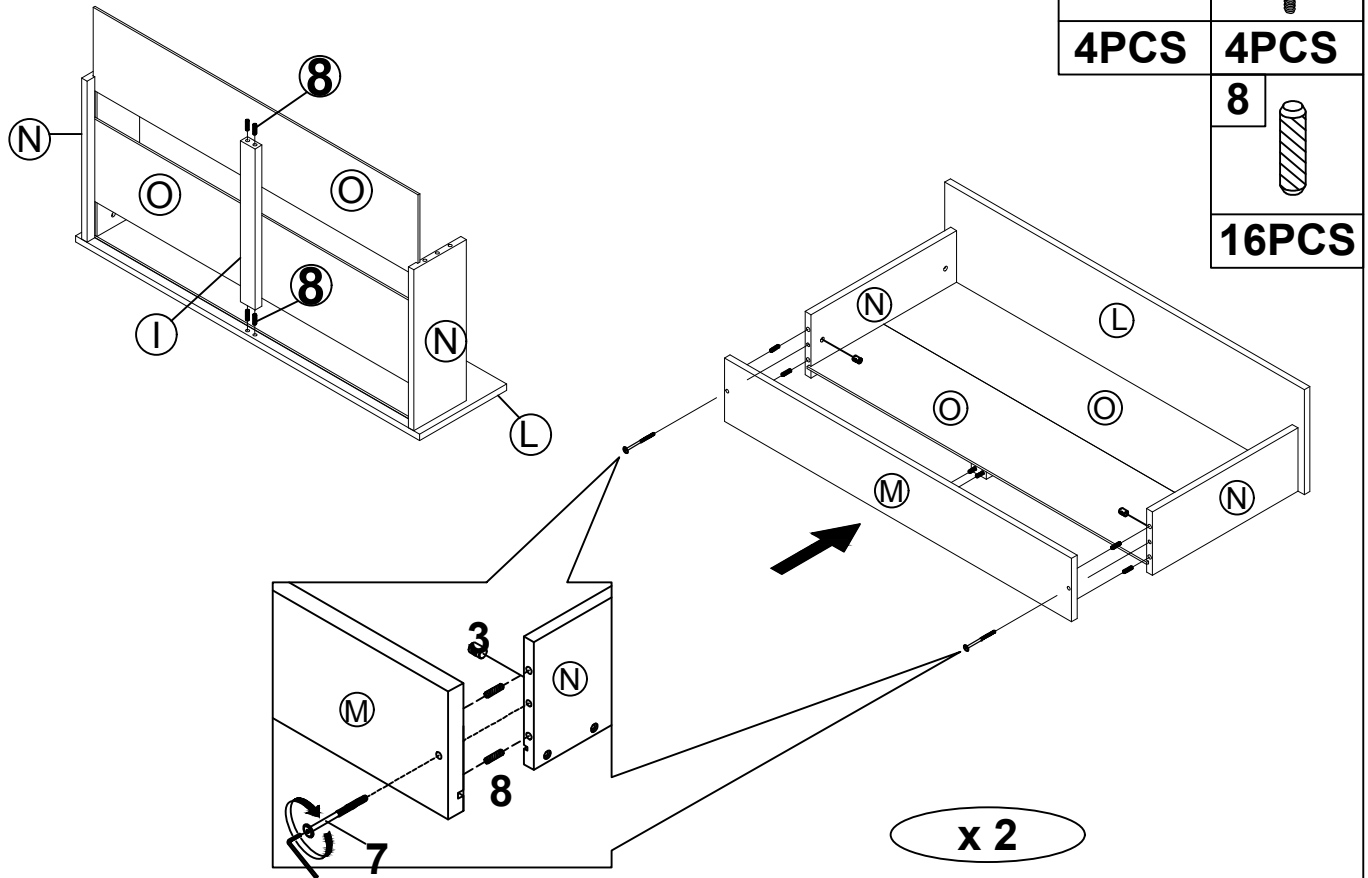


**8PCS**

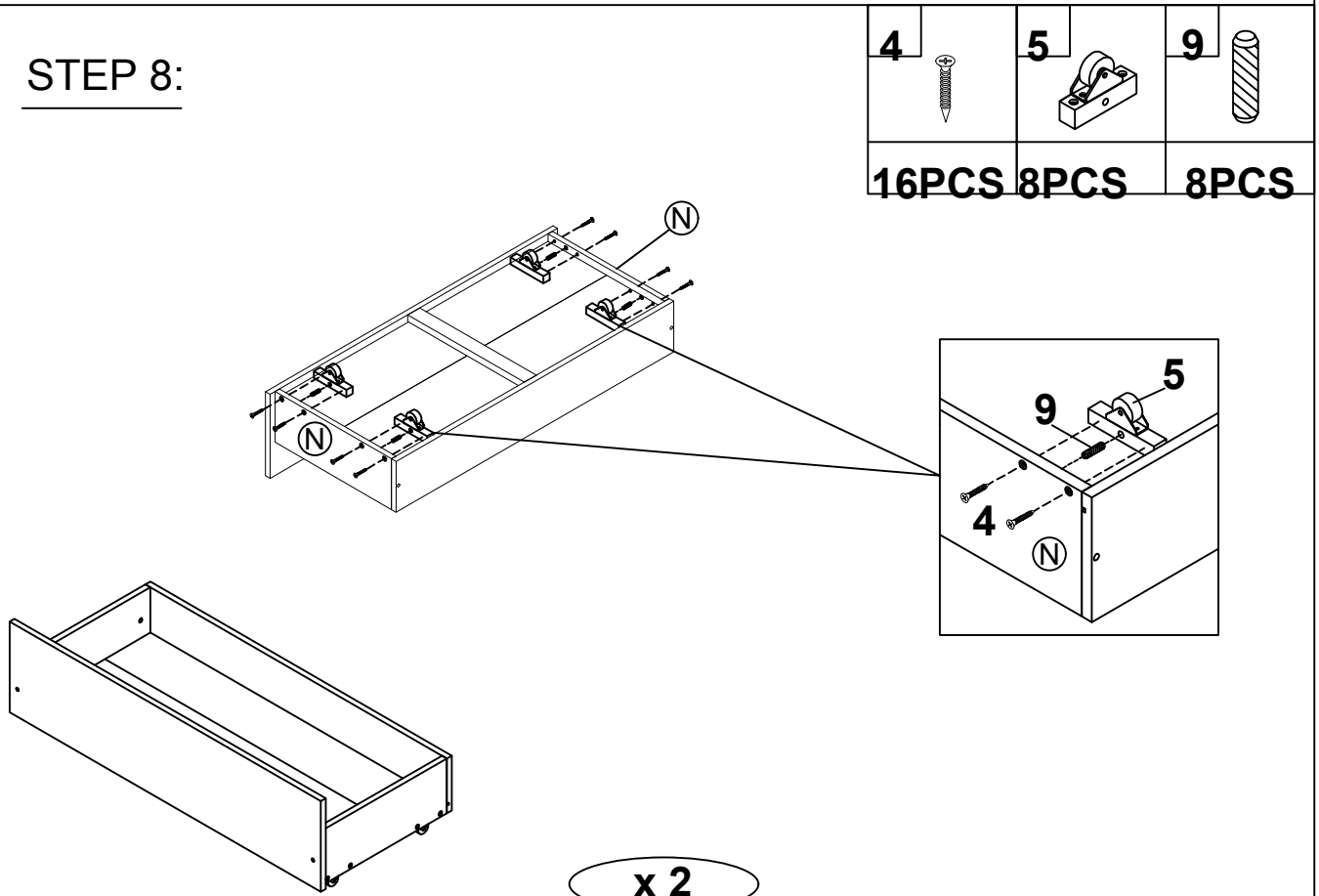


**x 2**

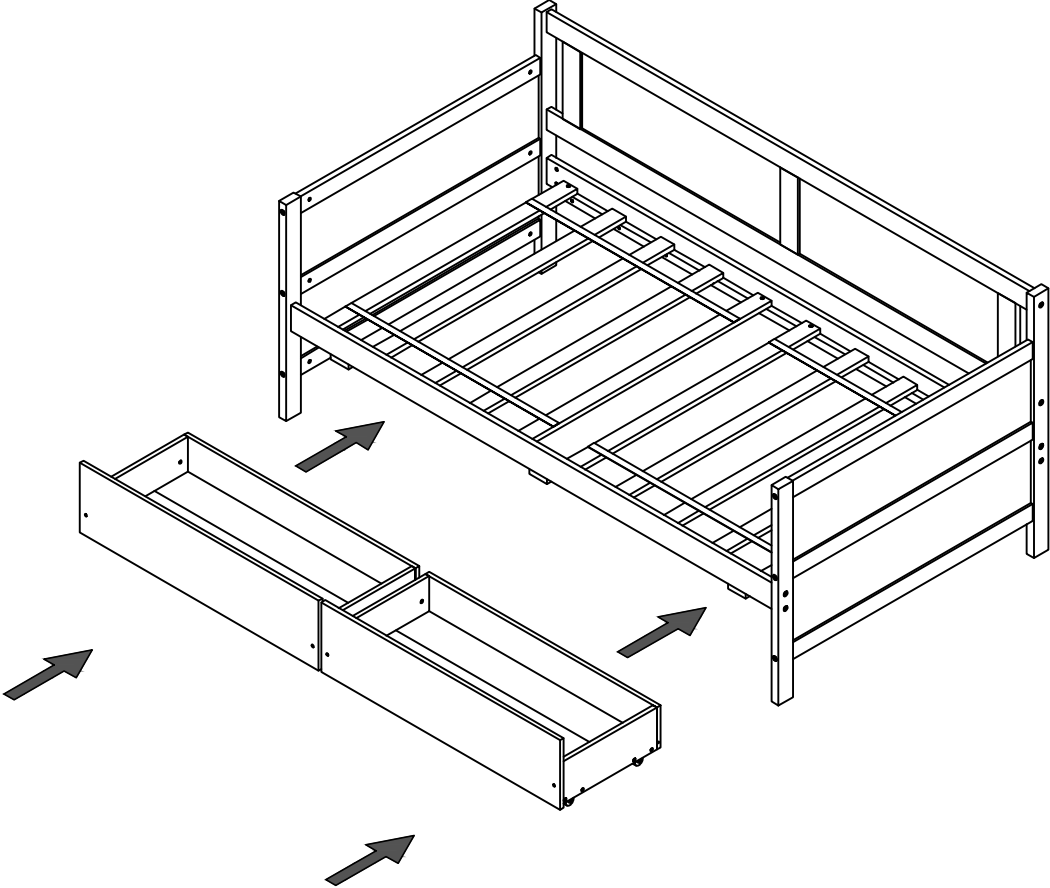
**STEP 7:**



**STEP 8:**



STEP 10:



Push Drawer under the bottom of Day Bed.

