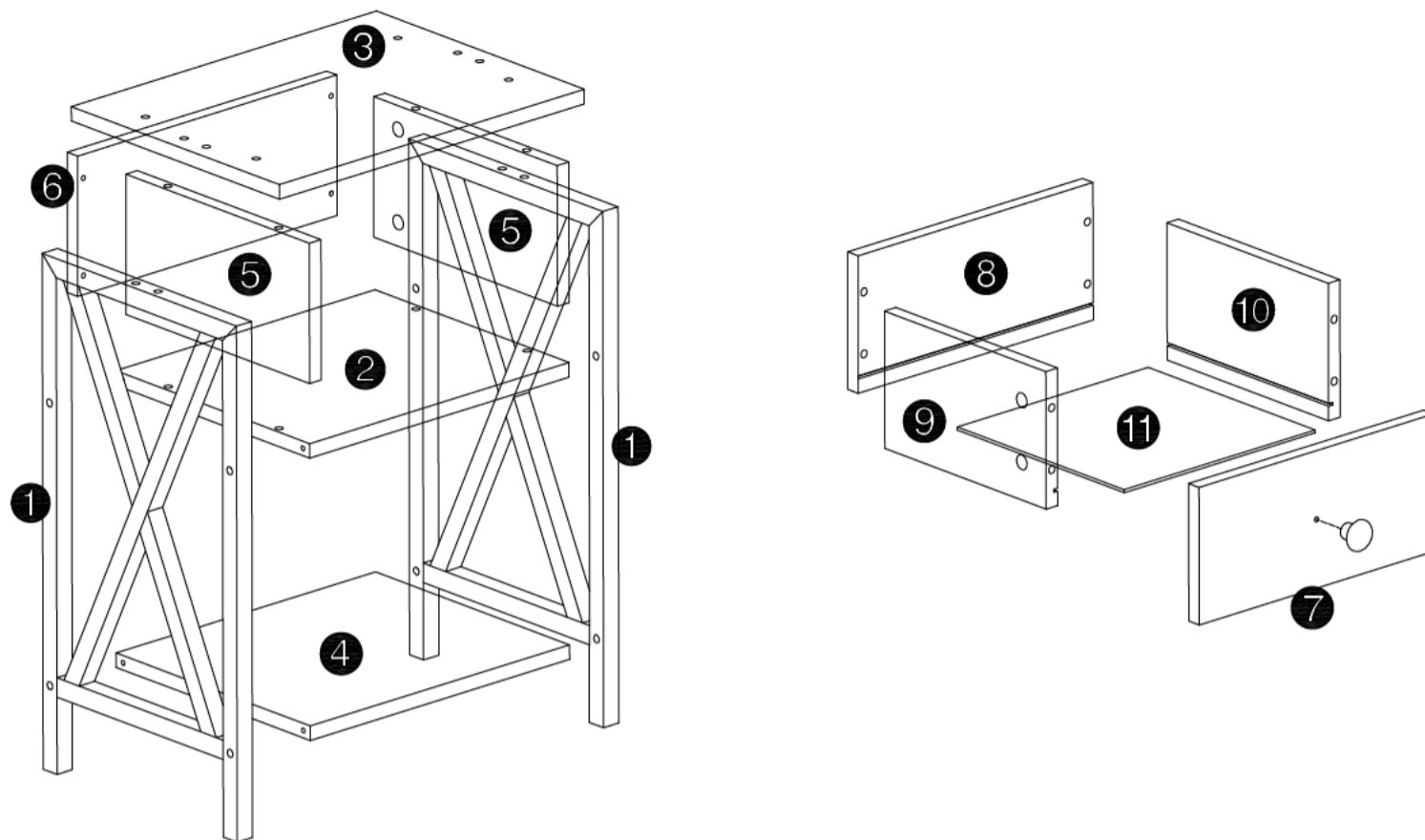
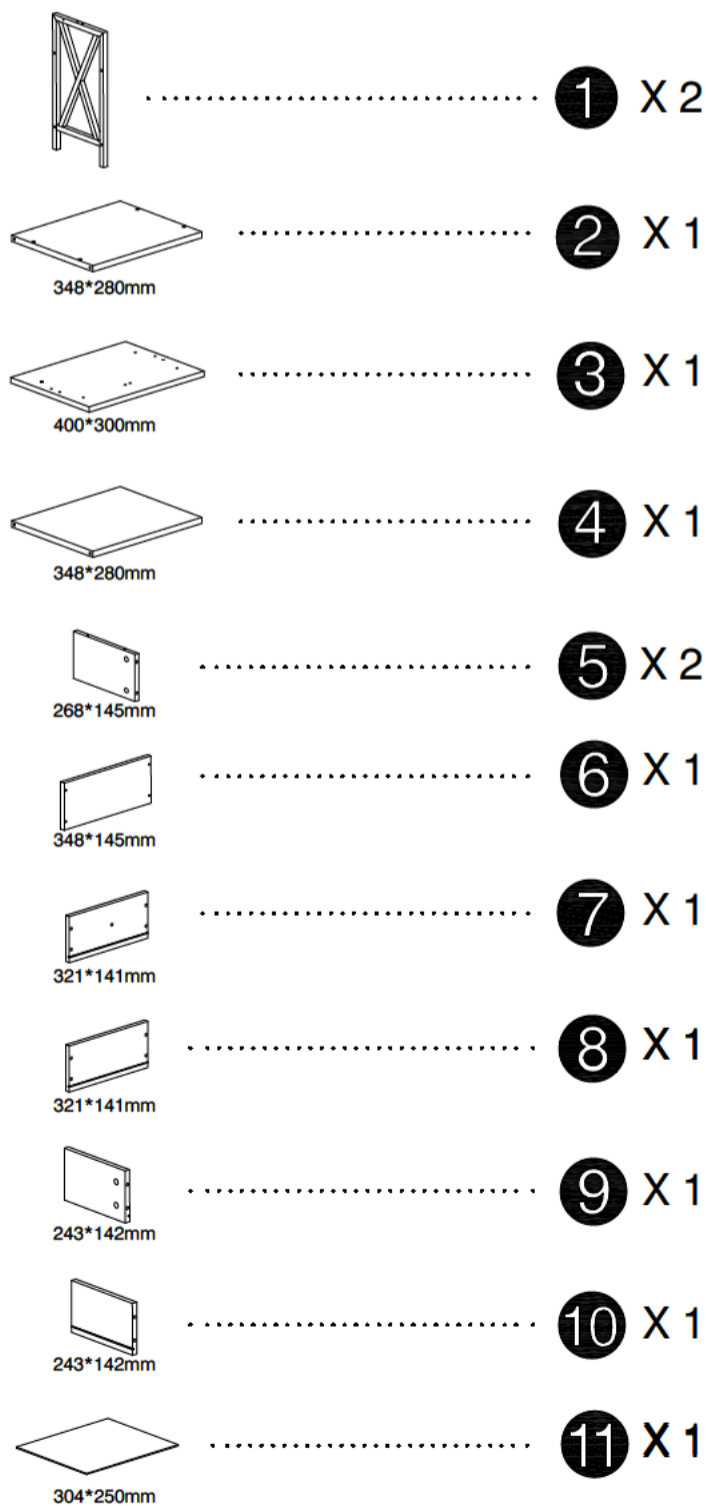


Bedside Cupboard Installation Manual



Componets



Check all the components & screws before assembly. Do not install in case parts missing, contact us to get.

Screws & Tolls

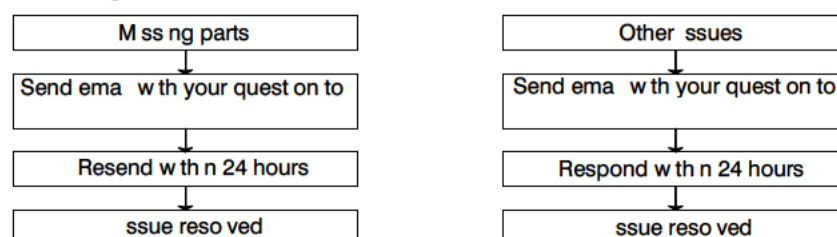
A			X 8
B		∅6*30mm	X 8
C		∅5*40mm	X 12
D		M6*24mm	X 4
E			X 2
F			X 1
G			X 4
H			X 1
I		M4*16mm	X 1
J		4mm 3mm	X 1

Return Policy

We believe you will absolutely love your new item. But if for some reason you want to return, please contact us directly before you decide to return your product. Our customer service organization can answer most concerns and assist you with any questions you may have about your new item.

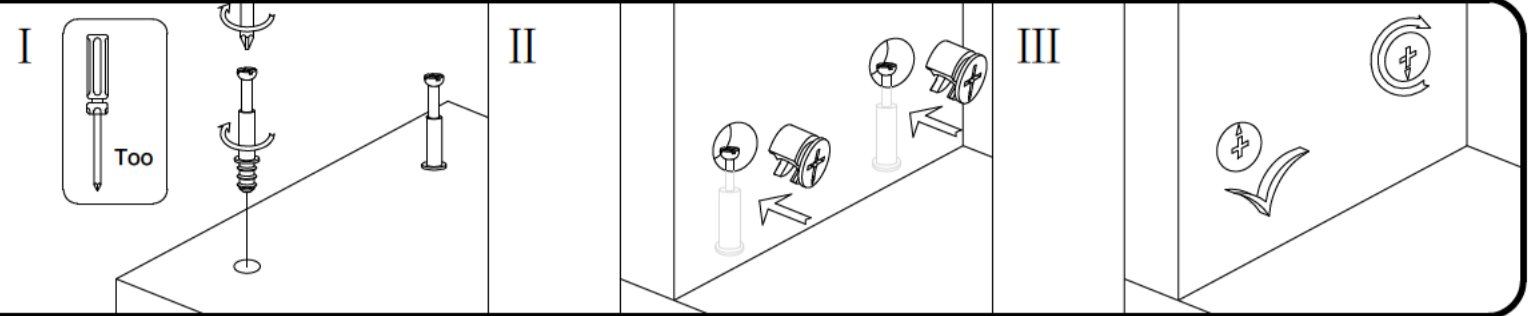
The item must be returned within 30 days or delivery for a full refund. The item must be returned in good condition, in original box, with original proof of purchase, parts and accessories.

Troubleshootng:

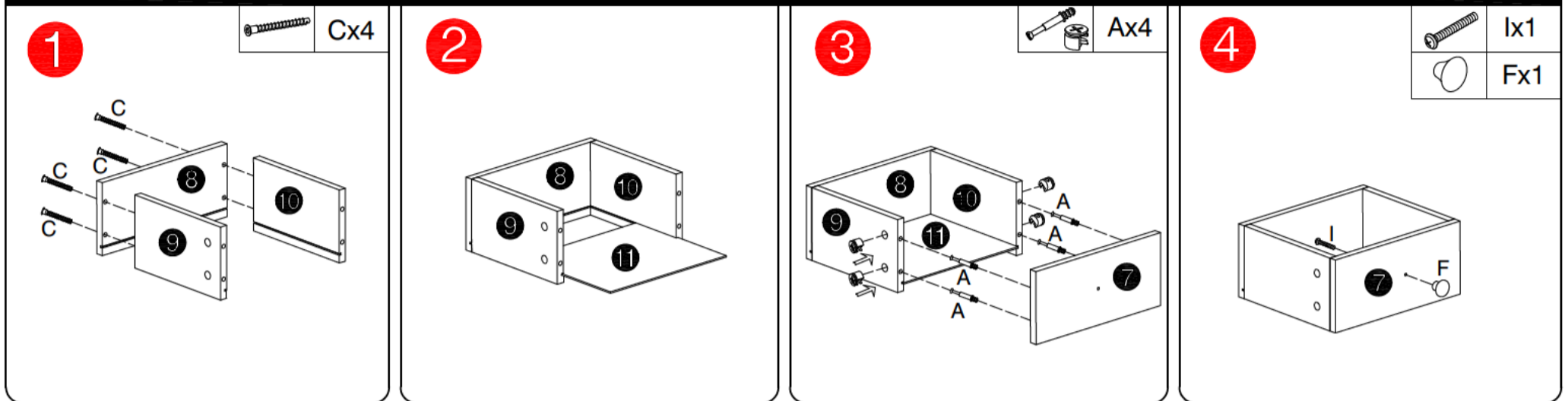


We control manufacturing and distribution ourselves, ensure the quality.

"A" Hardware installation example

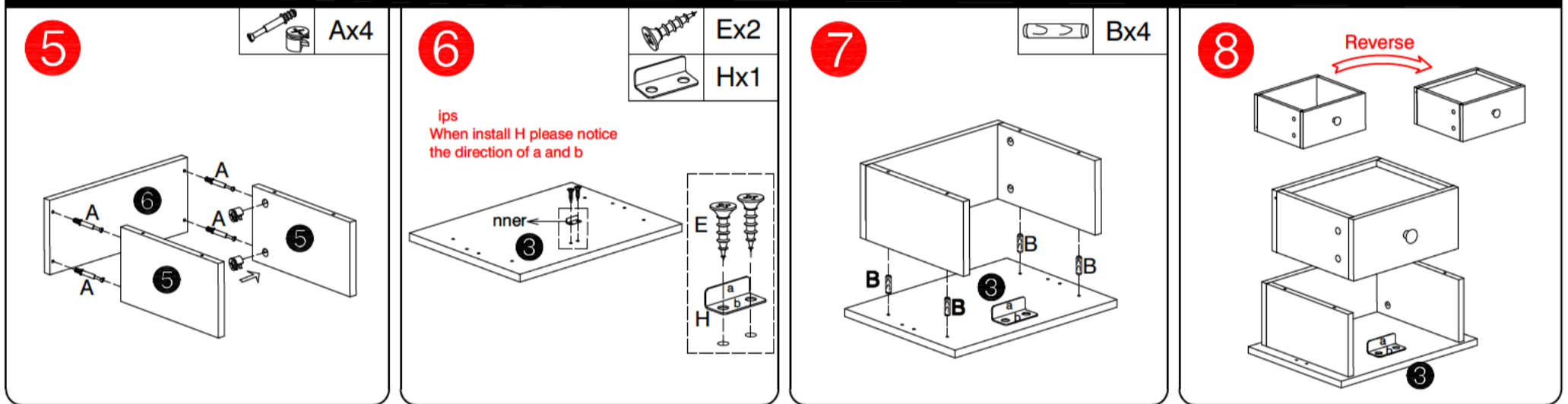


Step A: Drawer Assembly

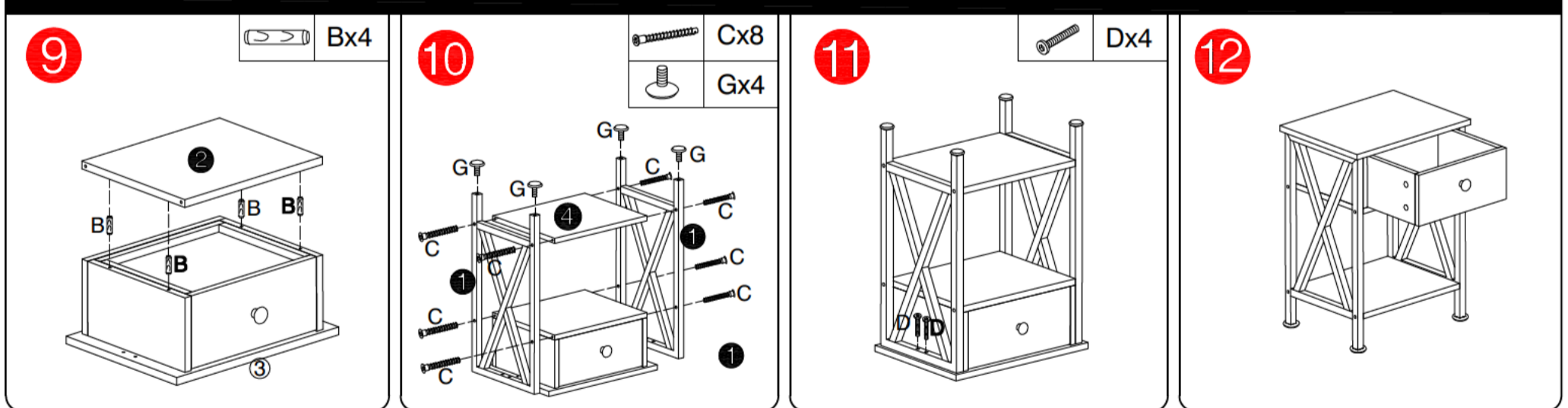


Step B: Drawer Outer Frame Assembly (5 6 7)

Step C: Assemble Drawer Embed in Drawer Outer Frame (8)



Step D: Main frame assembly



Step E: Check and tighten all screws

