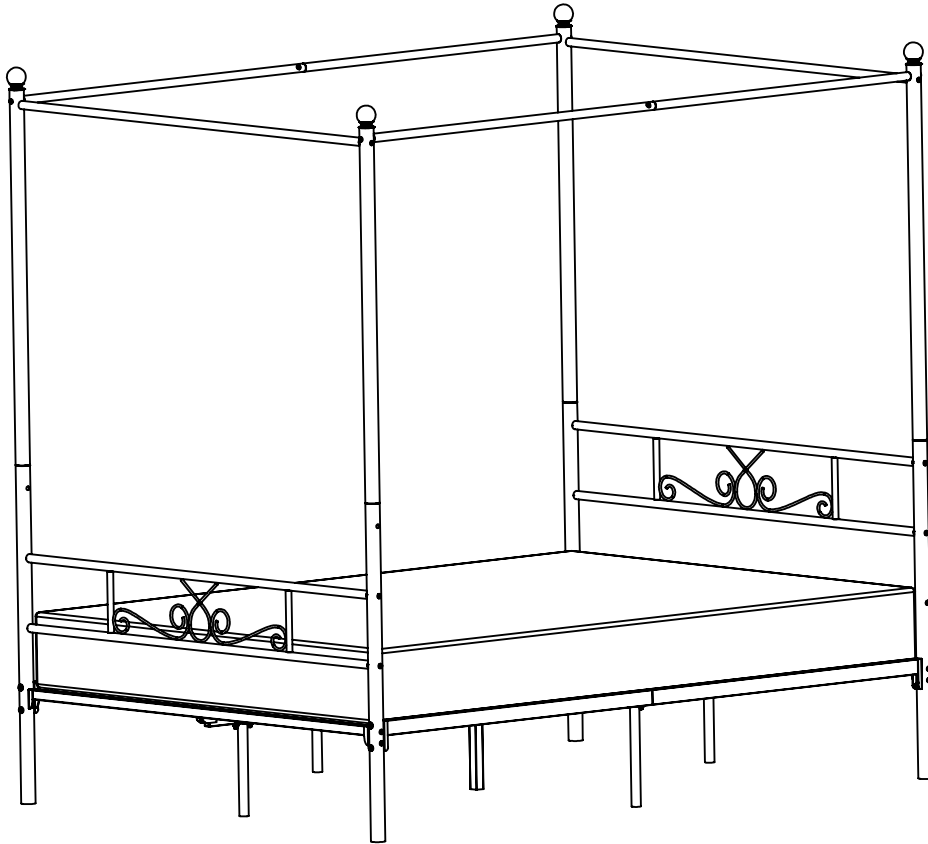
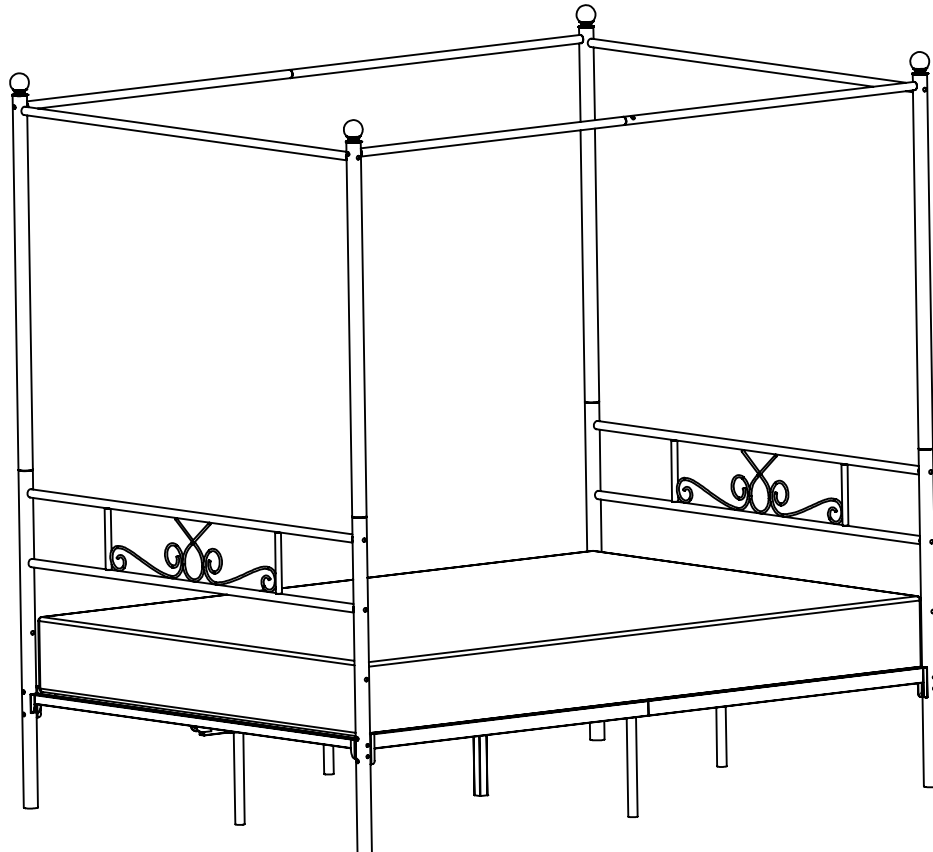


Assembly manual

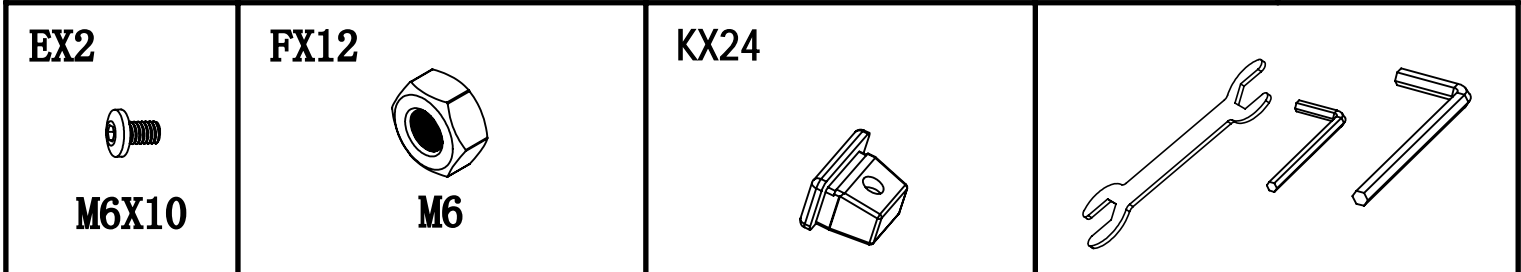
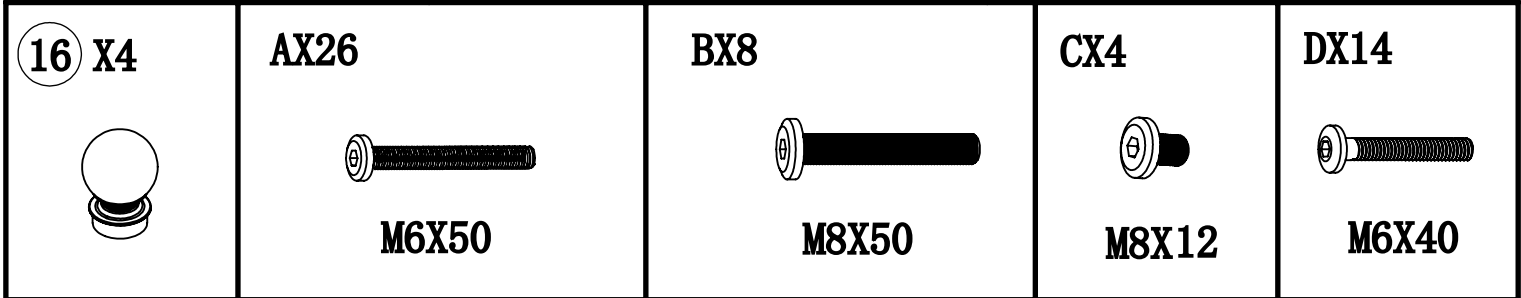
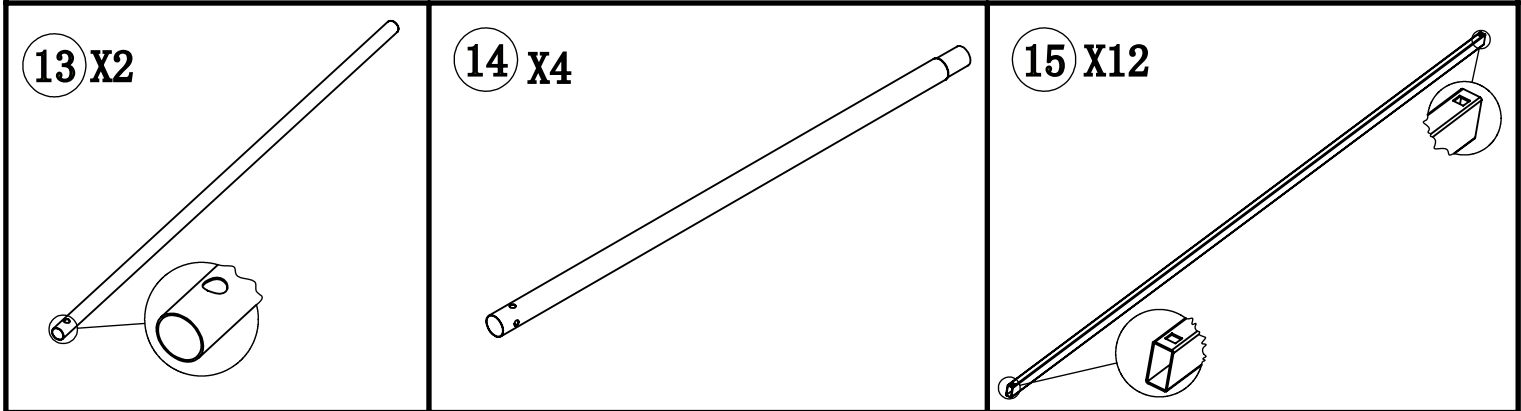
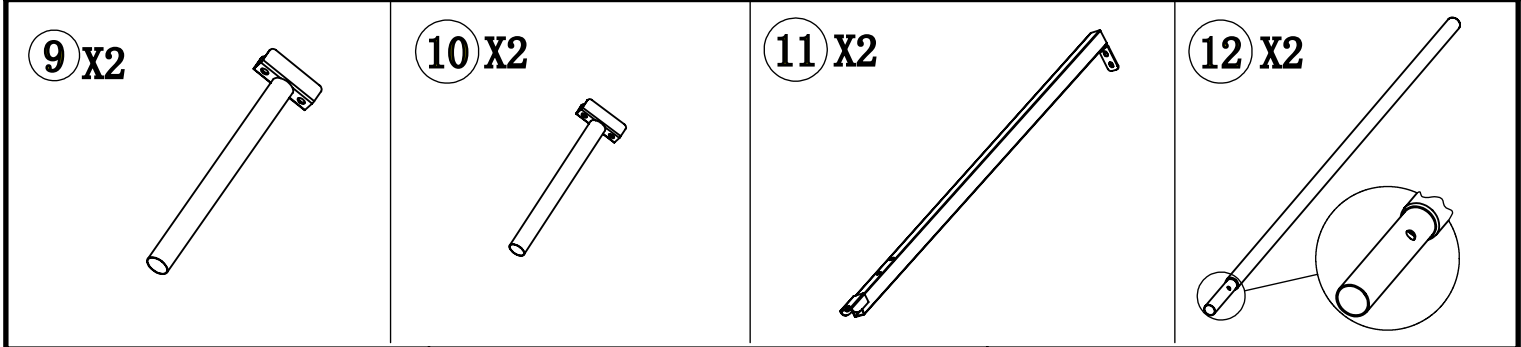
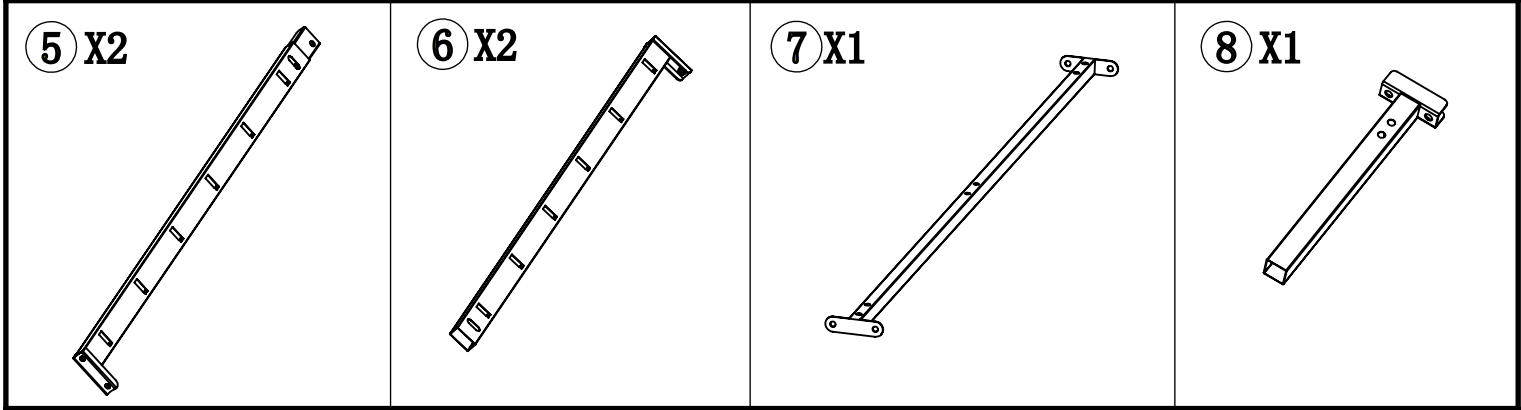
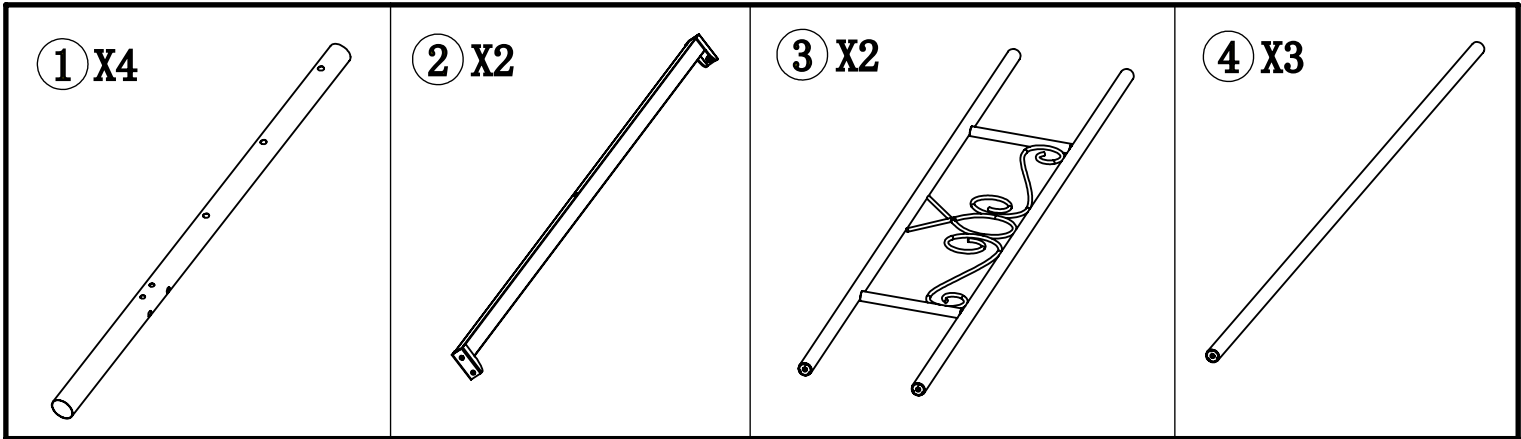
Style 1



Style 2



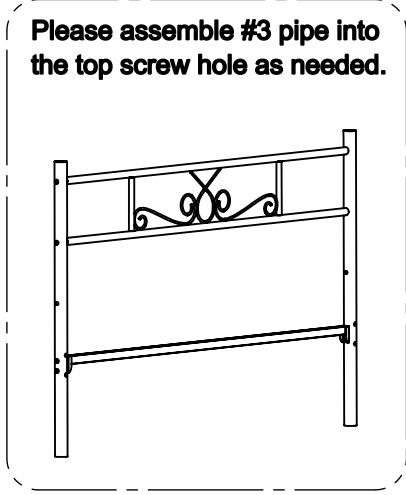
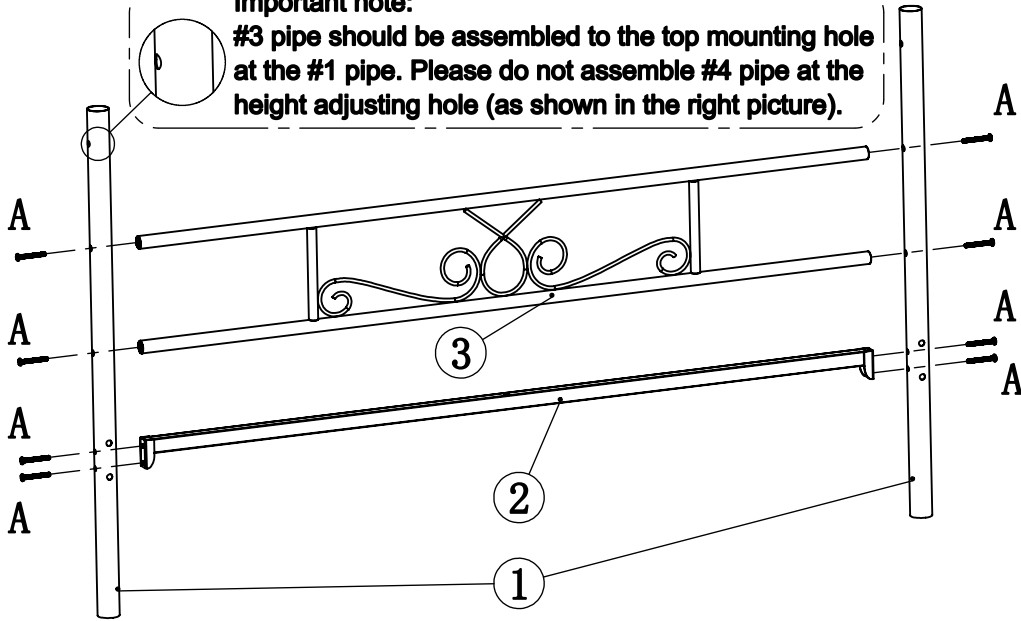
Notices: Mattress NOT included!!!



Step 1 – Footboard assembly by your choice

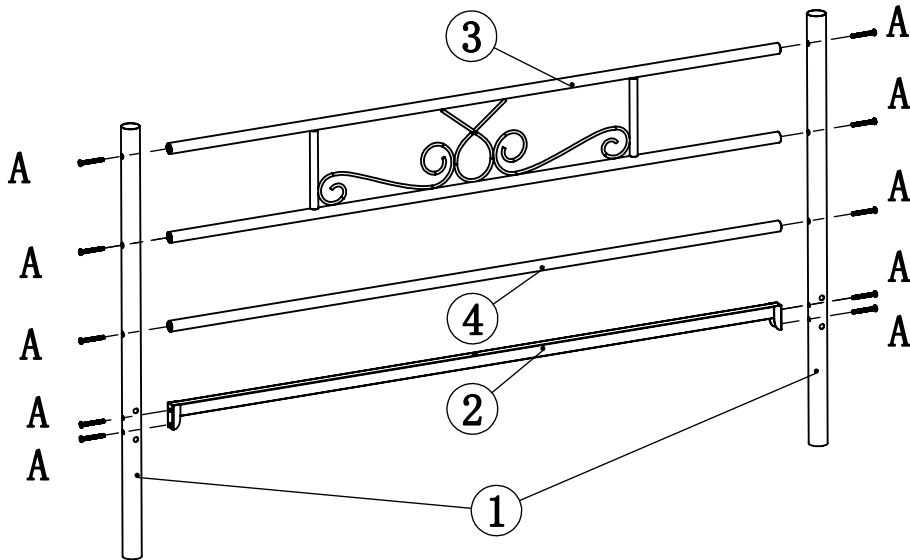
A	M6X50	8
---	-------	---

Important note:
 #3 pipe should be assembled to the top mounting hole at the #1 pipe. Please do not assemble #4 pipe at the height adjusting hole (as shown in the right picture).



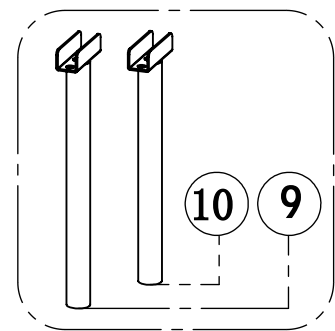
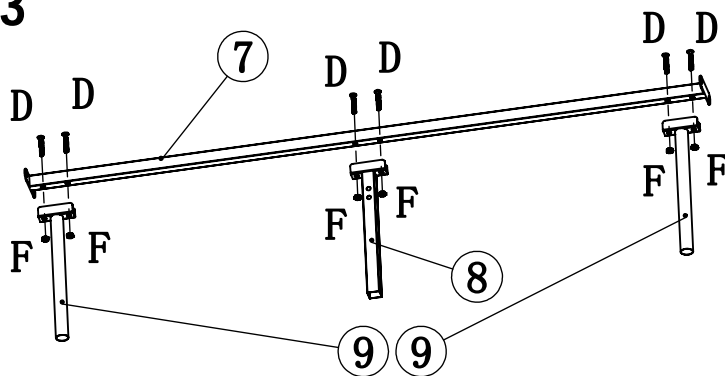
Step 2 – Headboard assembly

A	M6X50	10
---	-------	----



Step 3

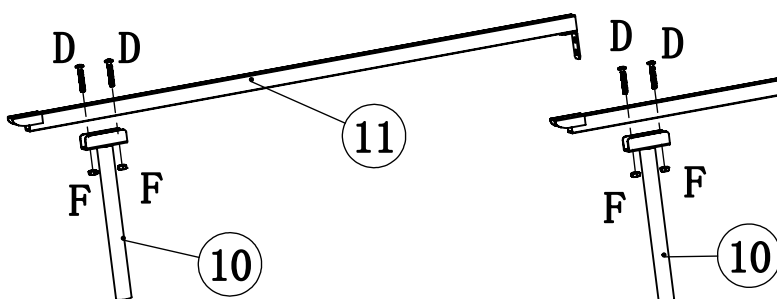
D	M6X40	6
F	M6	6



#9 and #10 identification graph

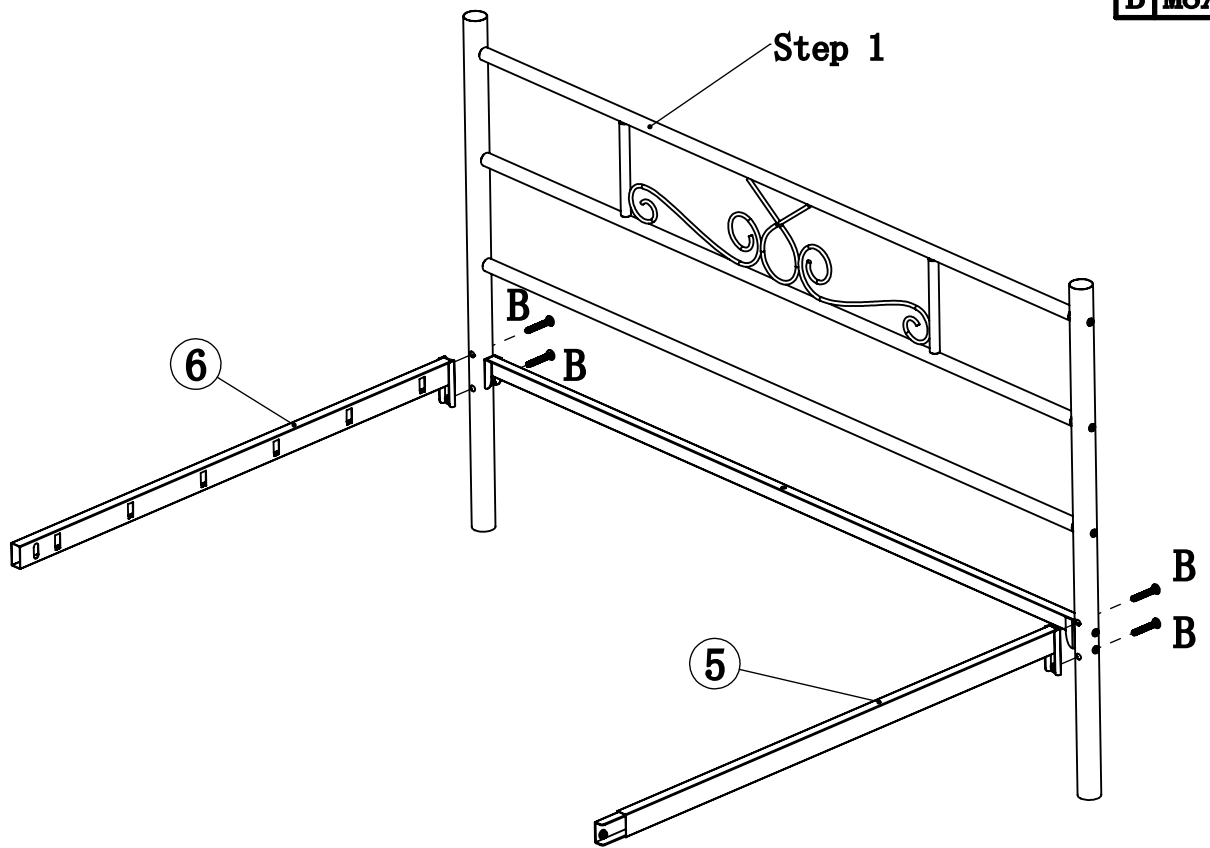
Step 4

D	M6X40	4
F	M6	4



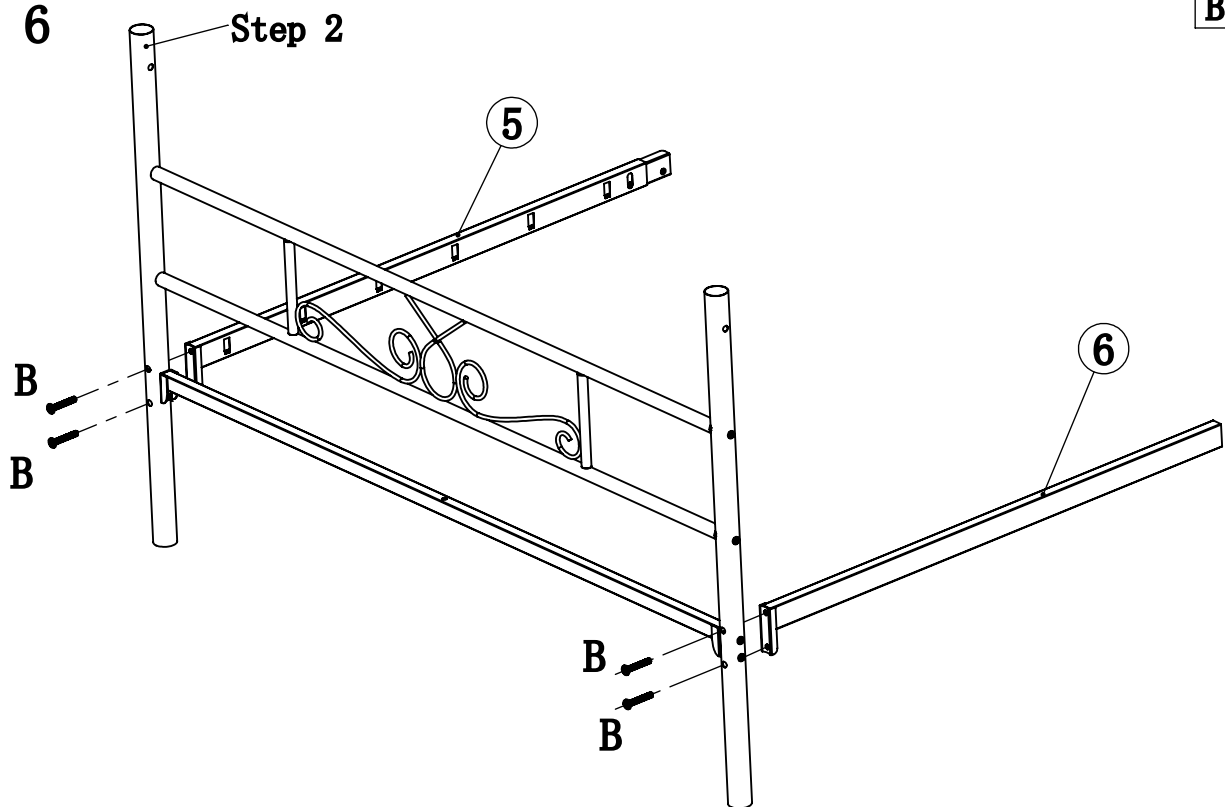
Step 5

B M8X50 4



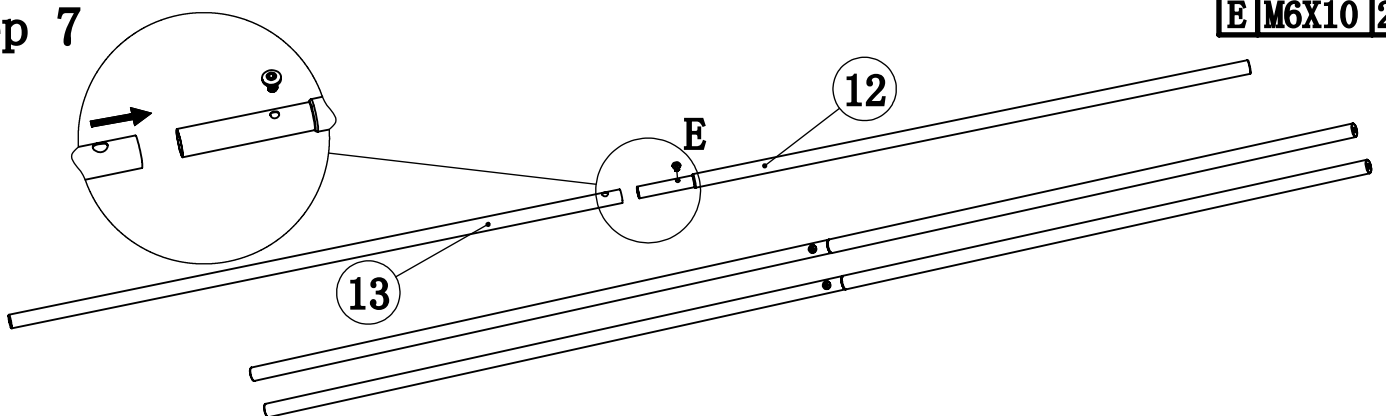
Step 6

B M8X50 4



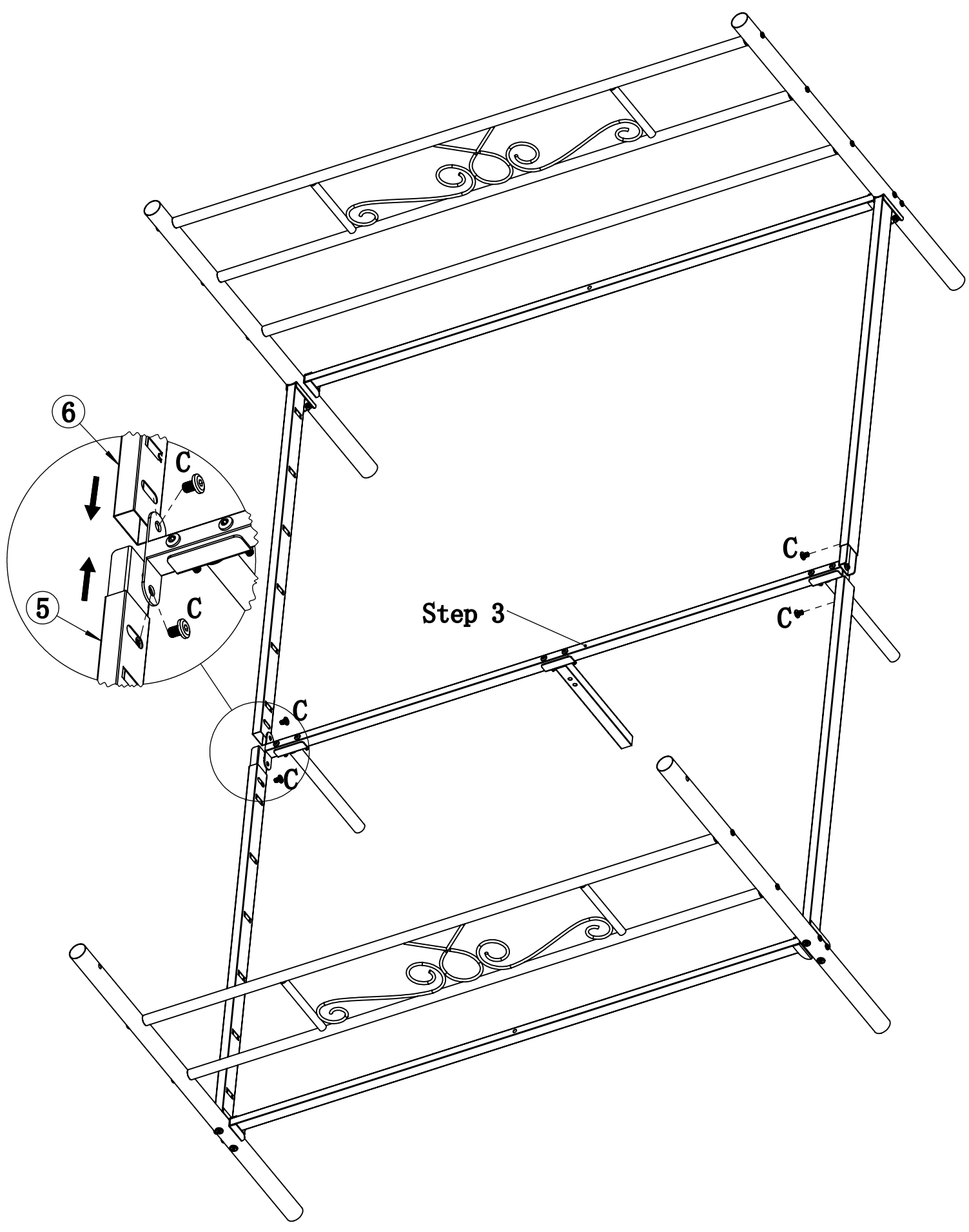
Step 7

E M6X10 2



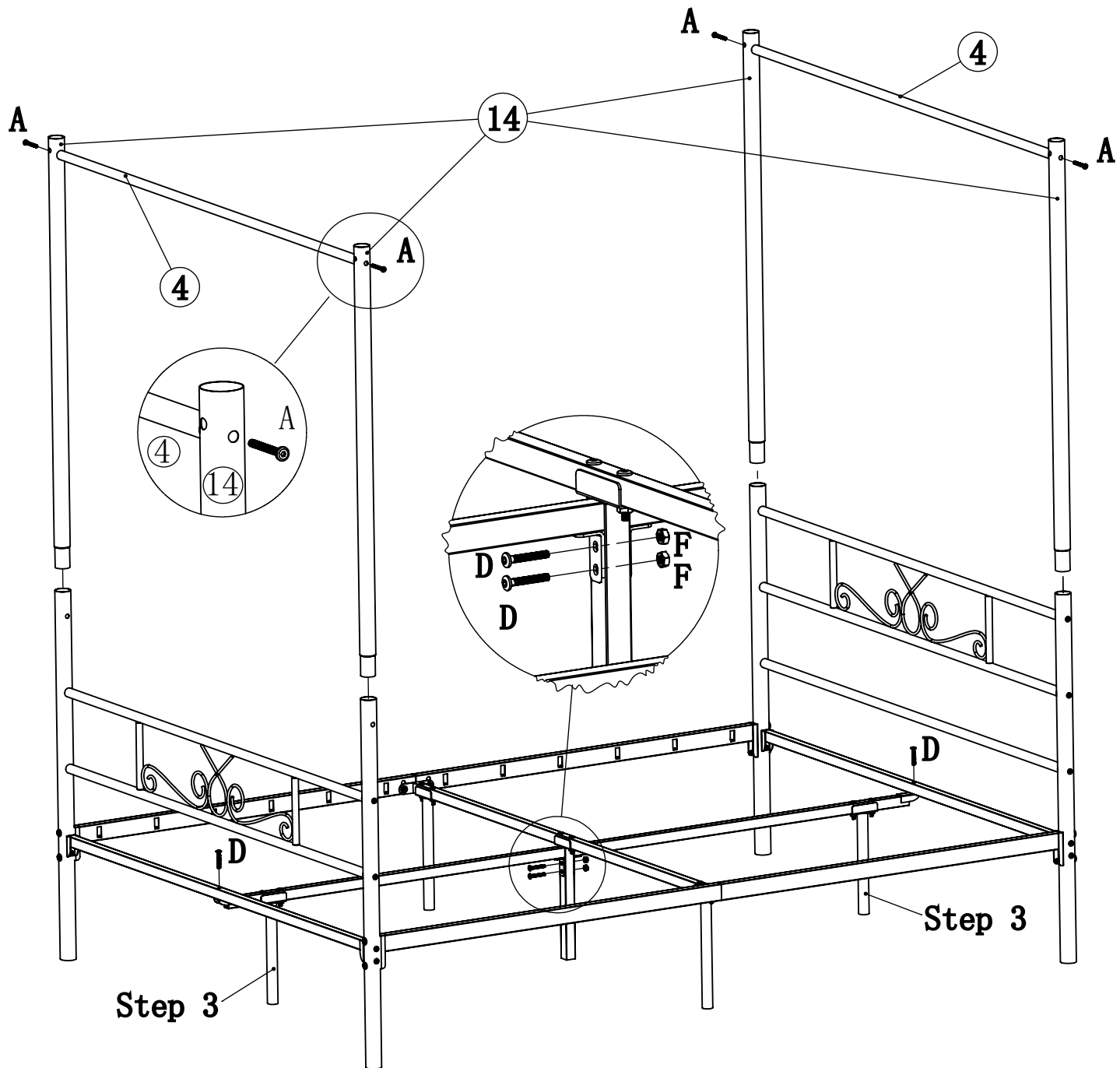
Step 8

C M8X12 4

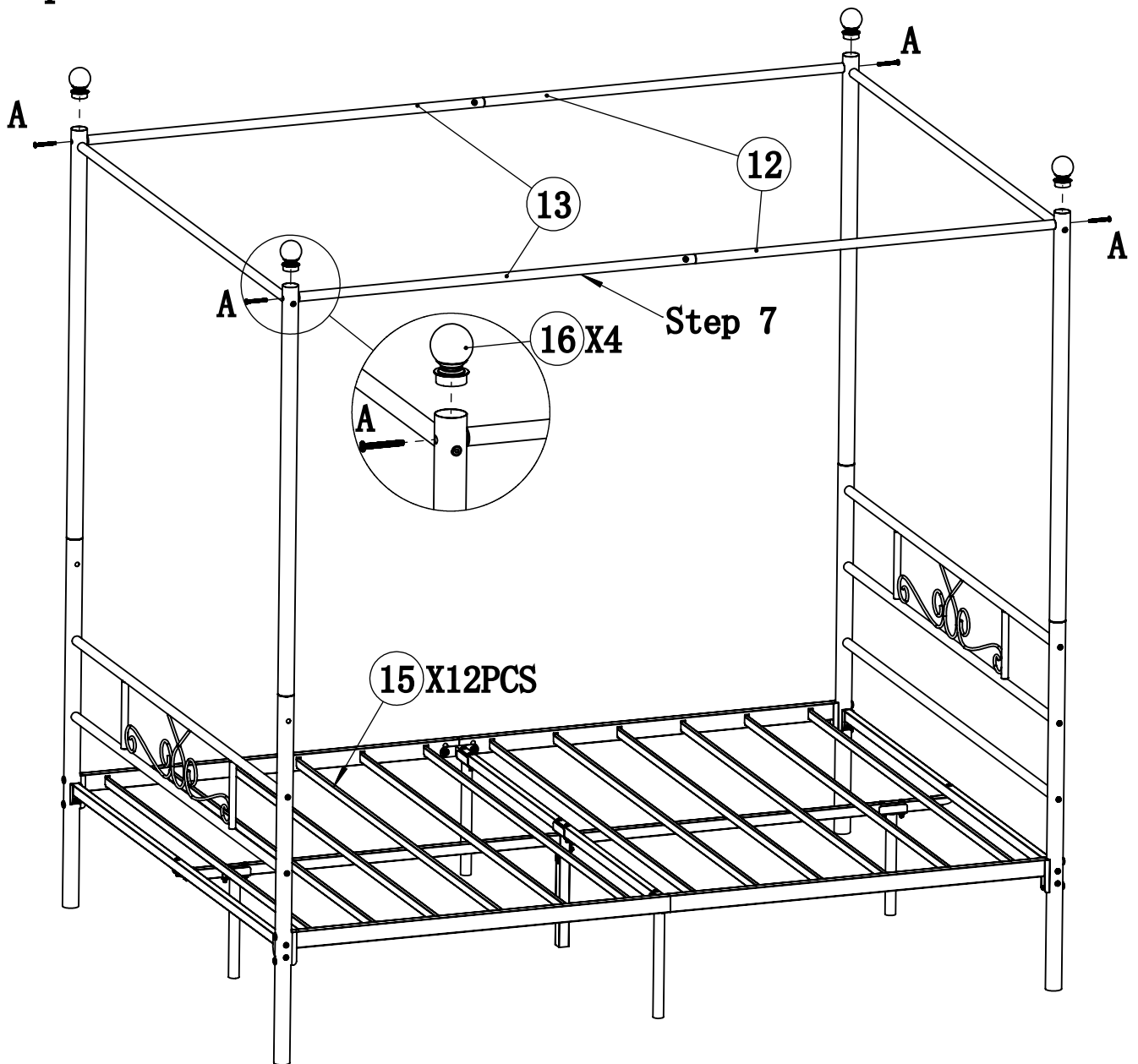


Step 9

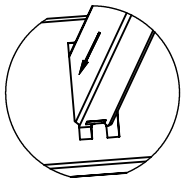
A	M6X50	4
D	M6X40	4
F	M6	2



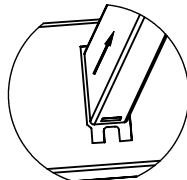
Setp 10



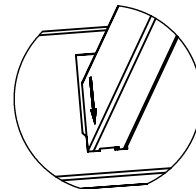
Detailed Installation Steps of part 15:



1. Fully inserted;



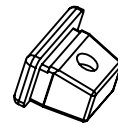
2. Align the holes on the other side and pull them reverse at the same time;



3. Align the small square hole and buckle it down to the end;

4. Note: Please check out the whole installation to ensure the small square holes on both sides of part 15 are fastened firmly and all the screws are fastened completely.

Setp 11



K=24PCS

