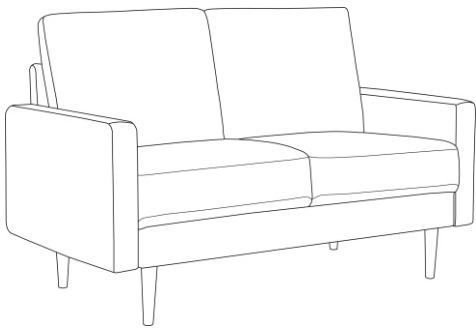


# Assembly Instruction #2789-2S (LOVESEAT)

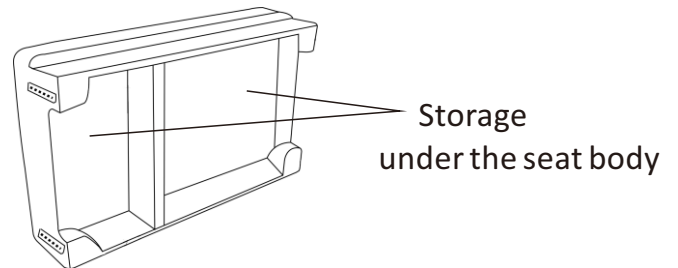


**CAUTION:**

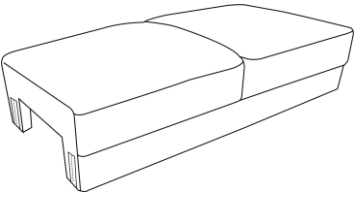



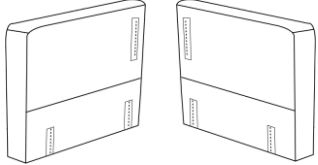
At least two adults are required to safely complete this task. Individual attempts may result in back injury due to large and heavy part(s).

**Step 1** ▼

Carefully unpack parts/hardware from the storage located under the seat body and place on a clean flat surface.

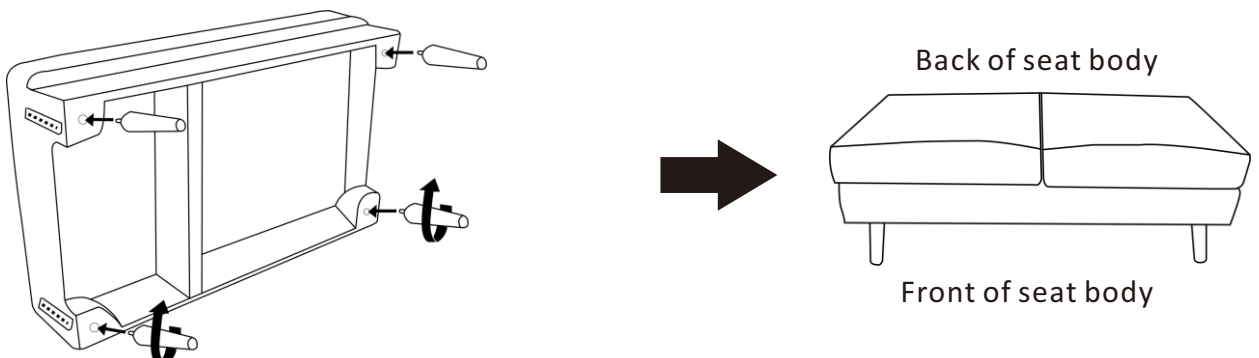


## Parts

 Seat Body x 1pc	 Backrest x 1pc	
 Back cushion x 2pcs	 Legs x 4	 Arm x 1 pair

**Step 2** ▼

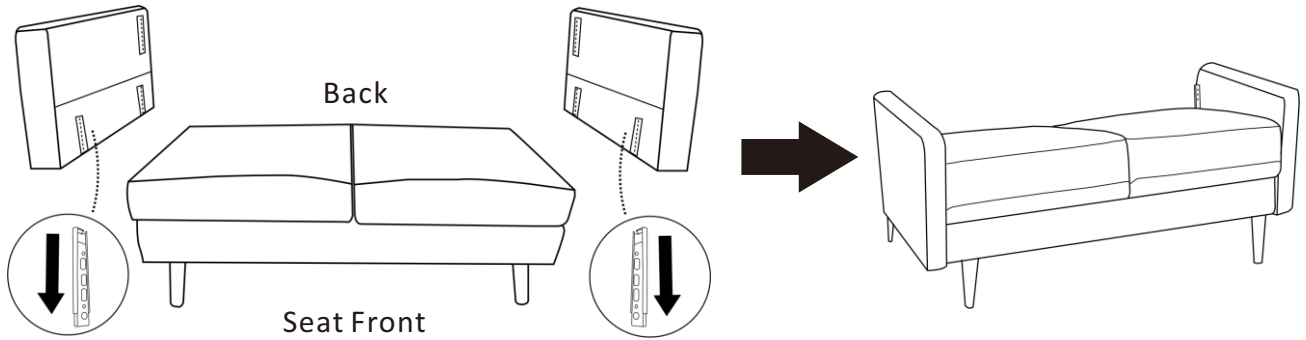
Align all 4pcs legs into the pre-drilled holes and secure by hand. Please avoid over-tightening.



# Assembly Instruction #2789-2S (LOVESEAT)

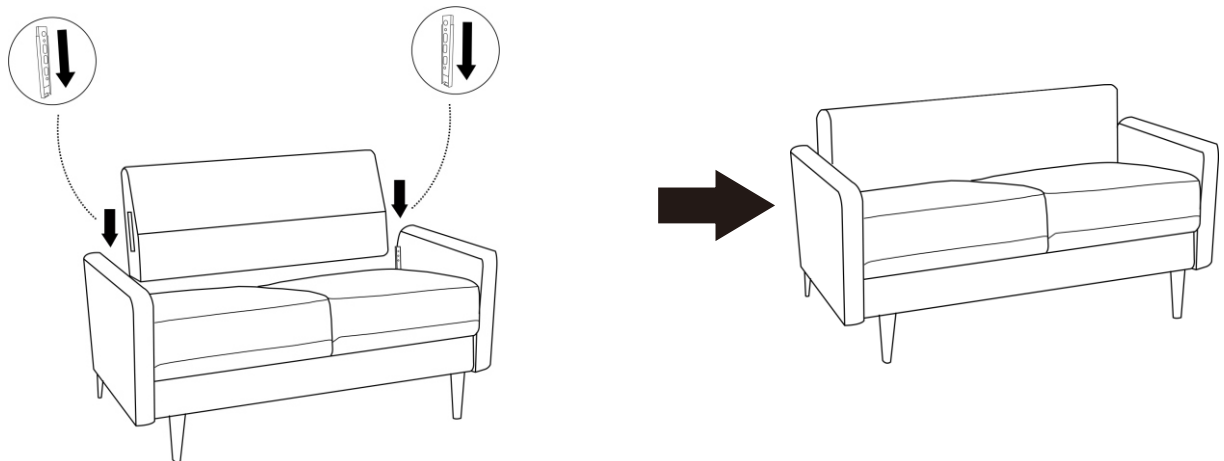
## Step 3 ▼

Insert the arms metal plates to both sides of seat body as shown below. Ensuring it is correctly in place.



## Step 4 ▼

Insert the backrest metal plates to both arms as shown below. Ensuring it is correctly in place.



## Step 5 ▼

Put the back cushions and pillows on the seat.

Your sofa just sent on a long trip. During storage and transport, some upholstered parts may have been pushed in and stitching lines may have been moved. Take a couple of minutes to straighten and slightly beat the upholstered parts.

