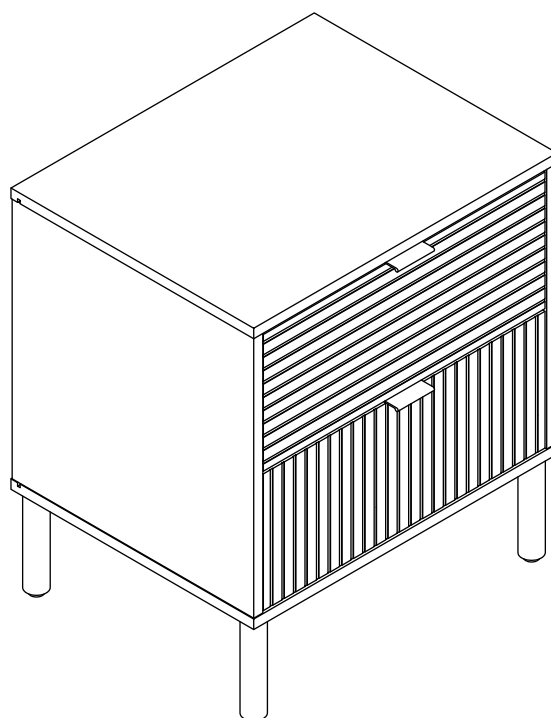


ASSEMBLY INSTRUCTIONS

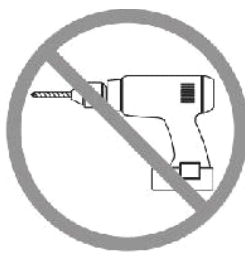
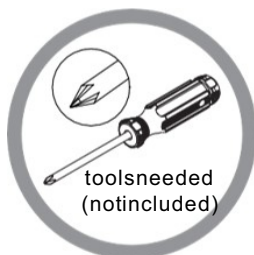
Sango[®]

PRODUCTNAME : MERK 2 DRAWER NIGHTSTAND - BROWN
 DIMENSIONS : 19.69"W x 15.75"D x 22.74"H
 ITEMNO. : 7237BR004ACS79

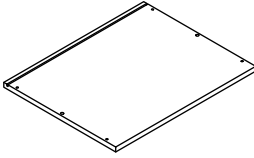
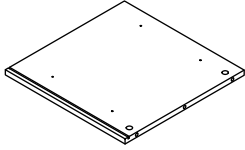
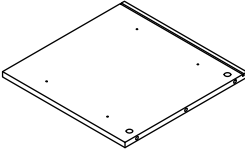
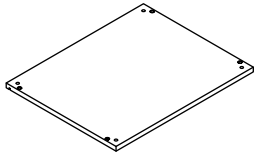
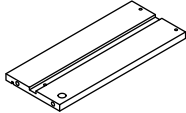
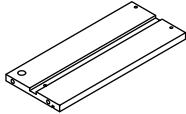
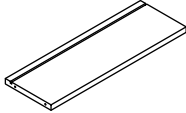
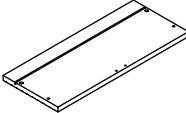
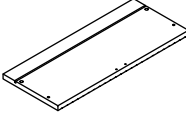
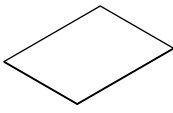
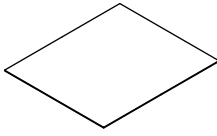








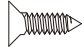
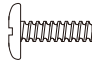
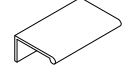

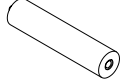

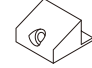




Note:

- Please make sure all parts and proper quantities are included.
- Do not use power tools. We recommend you hand-tighten screws.
- Use care not to overtighten.



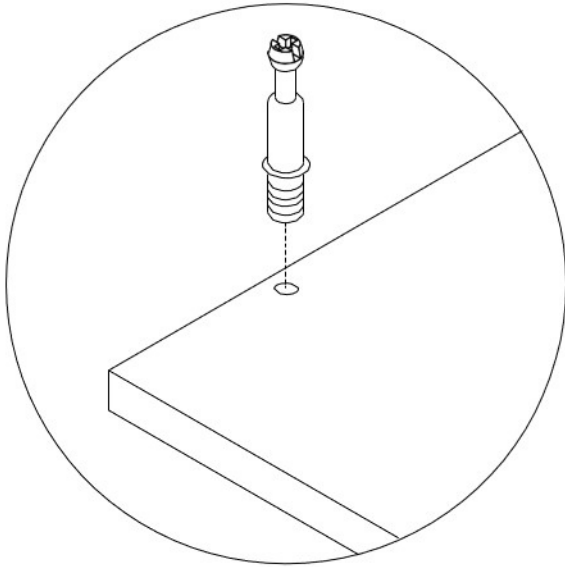
1. Check for damaged or missing parts. Call 1-800-696-8446 to order missing supplies.
2. Use a soft surface or the carton as a working surface to prevent damage during assembly.
3. It is recommended to have 2 adults on hand for assembly.
4. Gather all tools prior to assembly.
5. **WARNING!** When included, anti-tipping hardware **MUST** be installed for your safety.

PARTS LIST :			QTY
A	Top		1pc
B	Left Side		1pc
C	Right Side		1pc
D	Bottom		1pc
E	Drawer Left		2pcs
F	Drawer Right		2pcs
G	Drawer Back		2pcs
H	Top Drawer Head		1pc
I	Bottom Drawer Head		1pc
J	Drawer Bottom		2pcs
K	Back		1pc

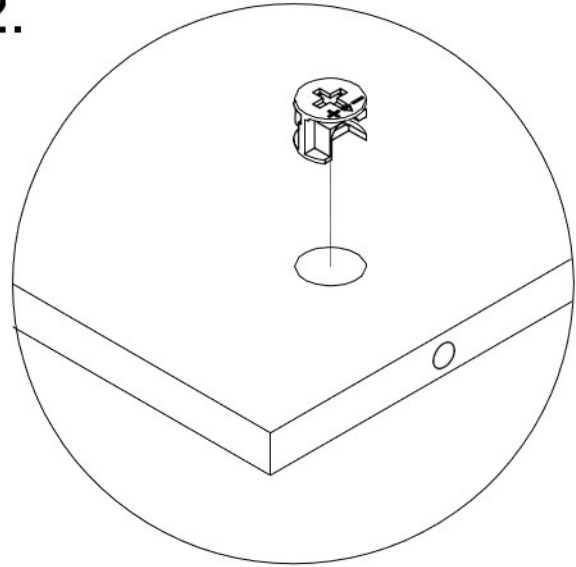
HARDWARE :			QTY
1	Cam bolt		8pcs
2	Cam lock		8pcs
3	Dowel ø8*30mm		8pcs
4	Wood screw 8#*1-1/4"		8pcs
5	Coarse screw 7*11*50mm		4pcs
6	Slide rail		4pcs
7	Wood screw 6#*1/2"		8pcs
8	Fixing screw M4*12mm		4pcs
9	Handle		2pcs
10	Wood screw 6#*15mm		4pcs
11	Foot		4pcs
12	Adjustable leveler		4pcs
13	Plastic Wedge Bracket		4pcs
14	Wood screw 3*19mm		4pcs
15	Sticker		6pcs
16	Glue		1pc
17	Allen wrench		1pc

How to use cam lock system

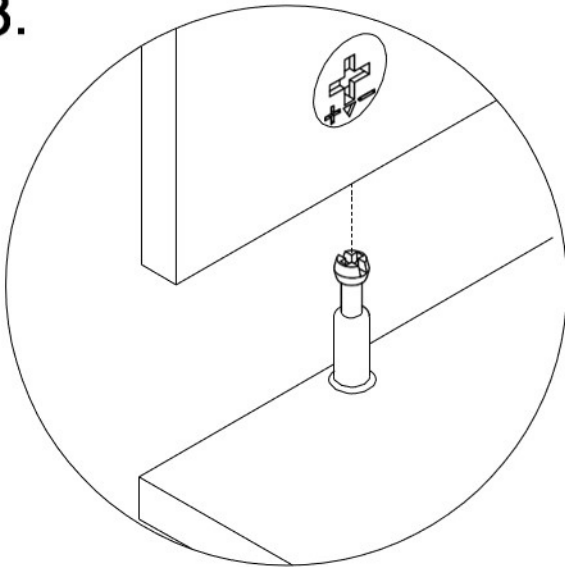
1.



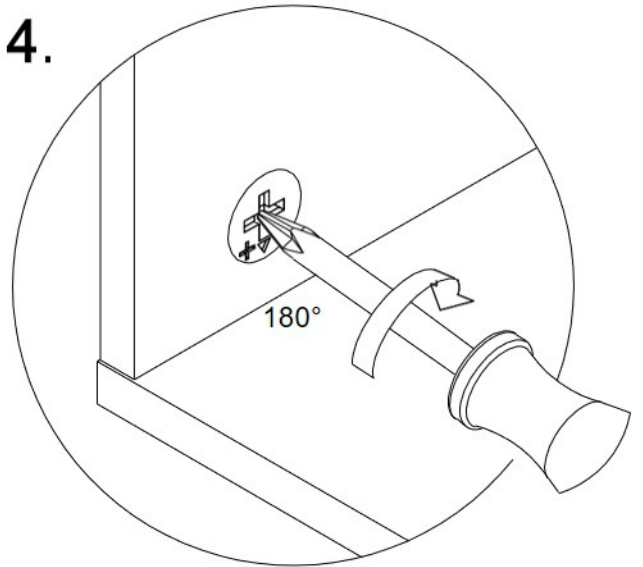
2.



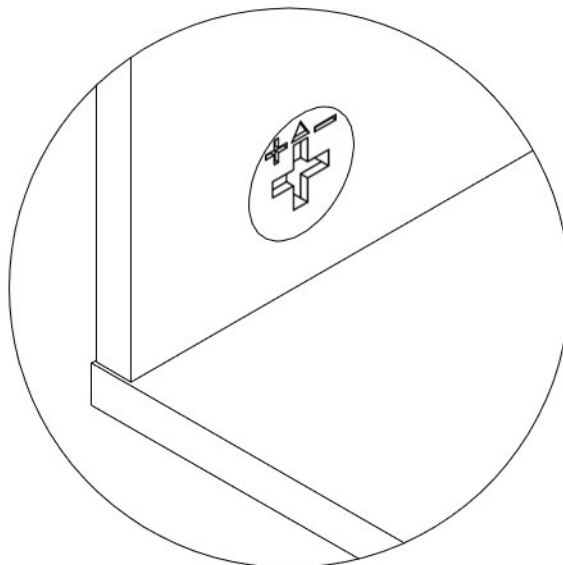
3.



4.



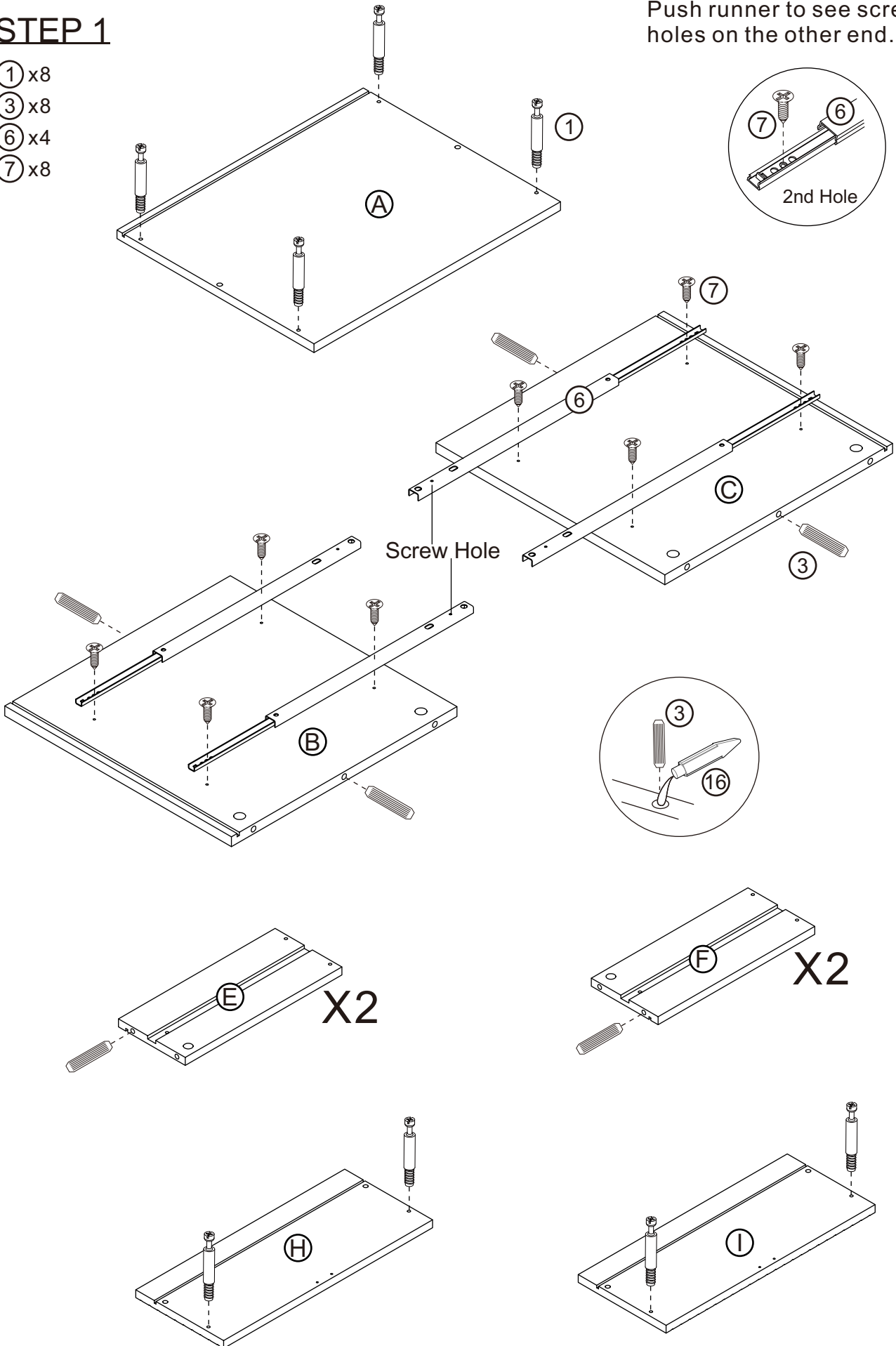
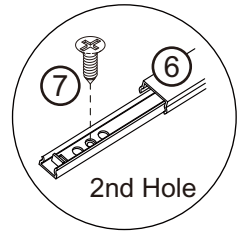
5.



STEP 1

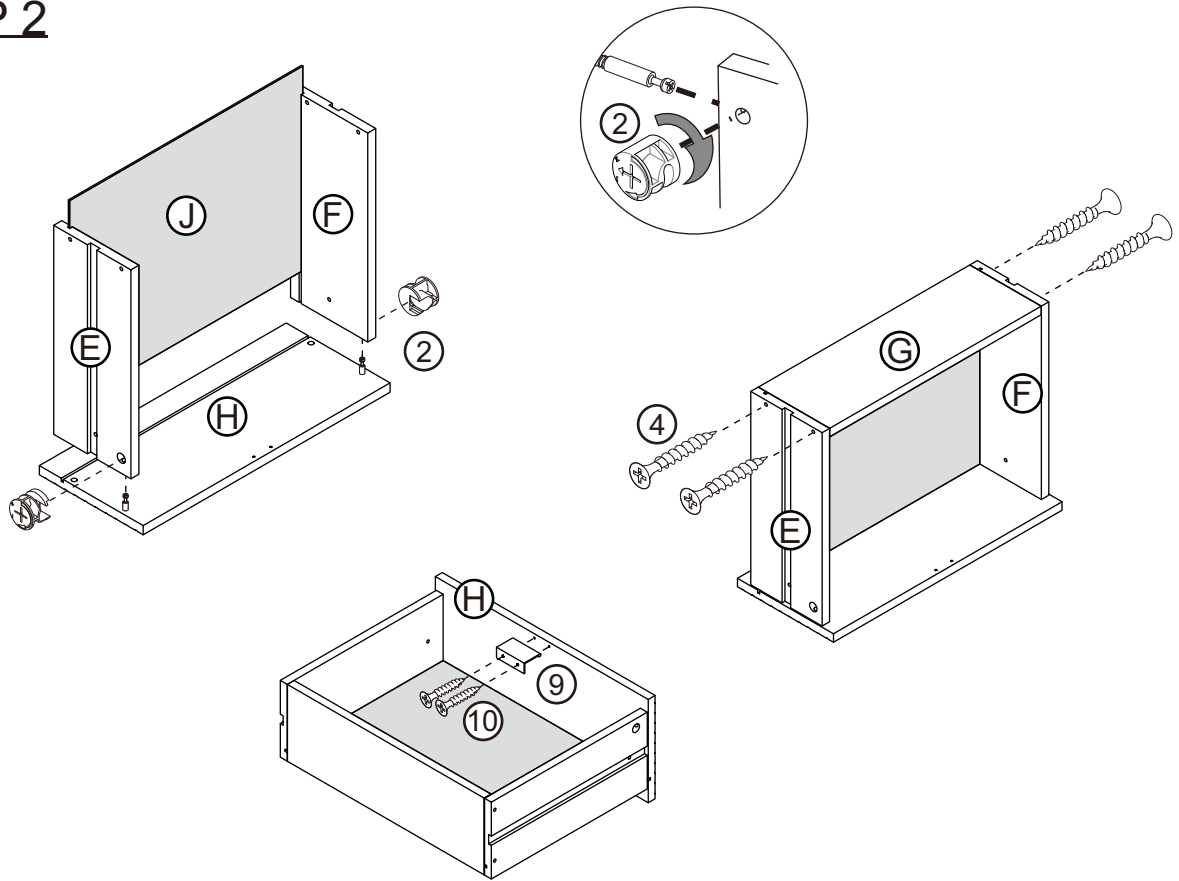
- ① x8
- ③ x8
- ⑥ x4
- ⑦ x8

Push runner to see screw holes on the other end.



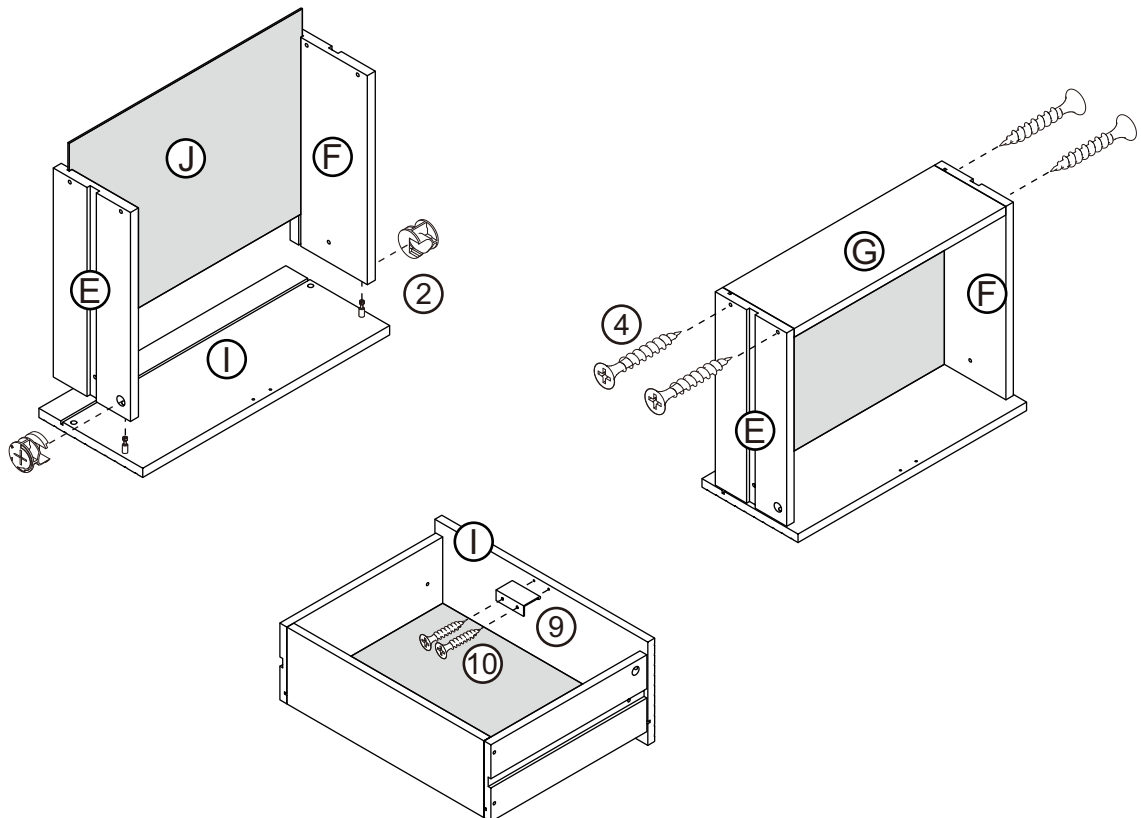
STEP 2

- ② x2
- ④ x4
- ⑨ x1
- ⑩ x2



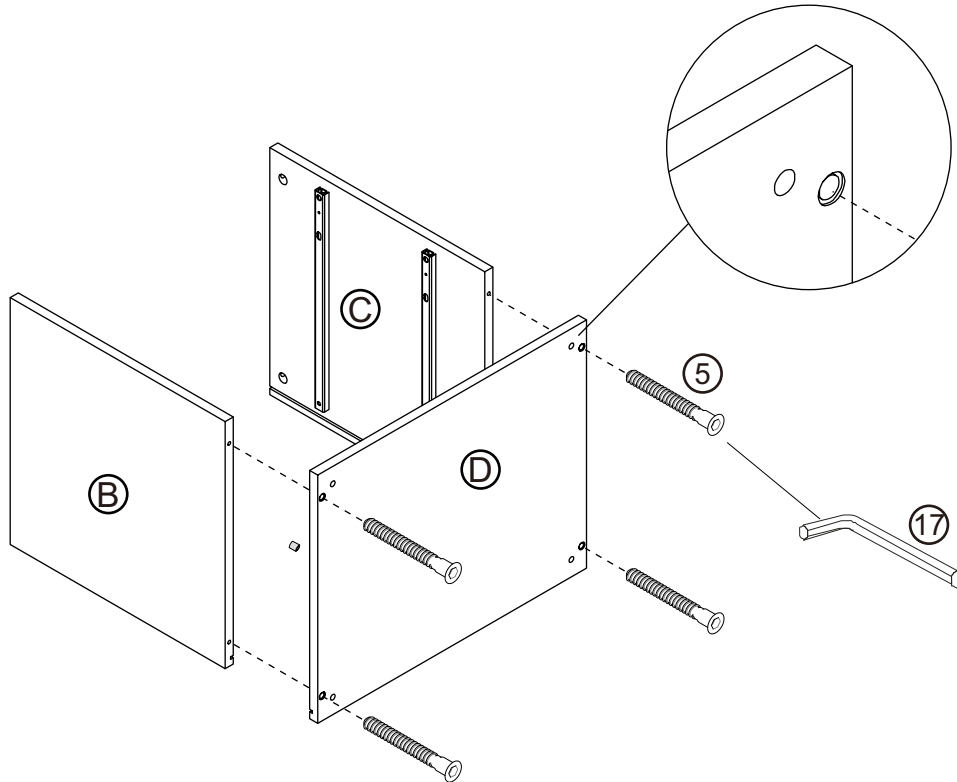
STEP 3

- ② x2
- ④ x4
- ⑨ x1
- ⑩ x2



STEP 4

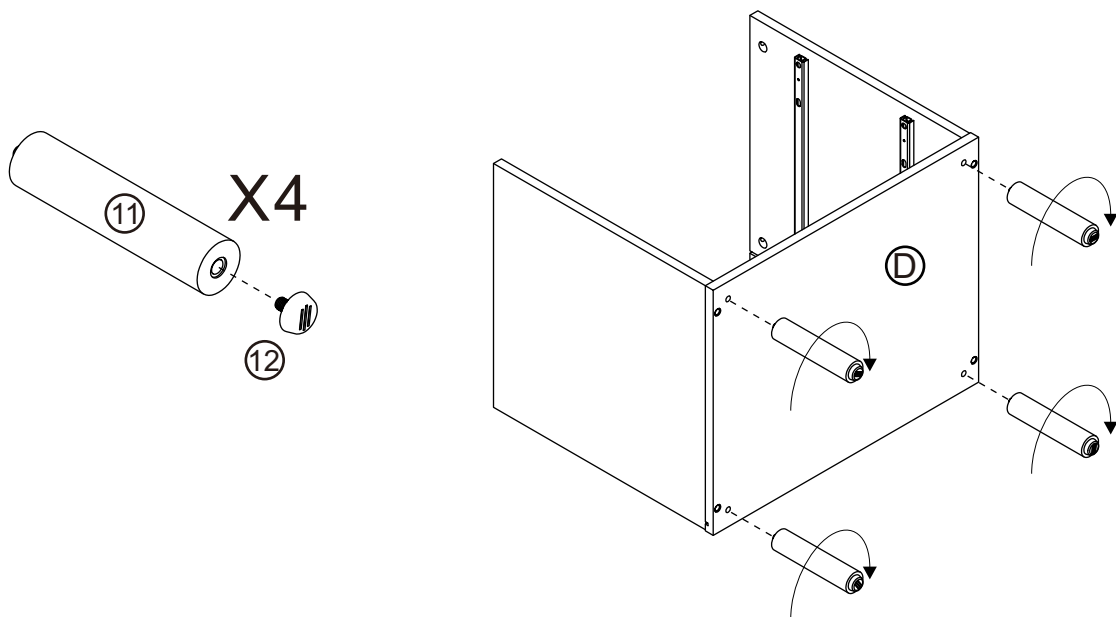
⑤ x4



STEP 5

⑪ x4

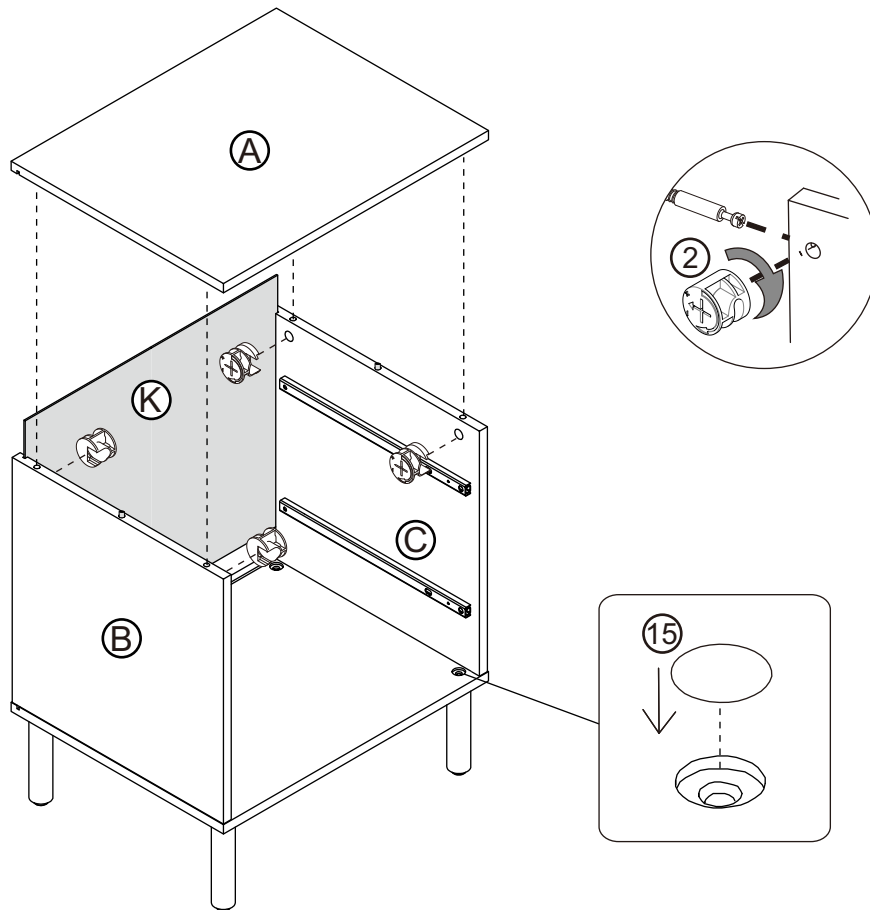
⑫ x4



STEP 6

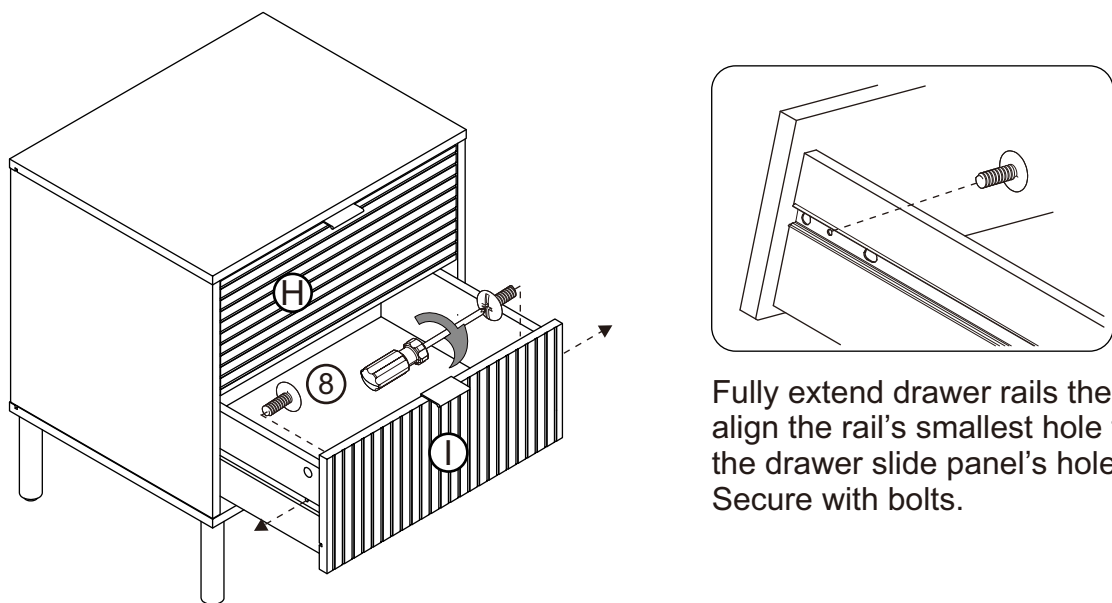
② x4

⑮ x4



STEP 7

⑧ x2



Fully extend drawer rails then align the rail's smallest hole to the drawer slide panel's holes. Secure with bolts.

STEP 8

13 x4

14 x4

