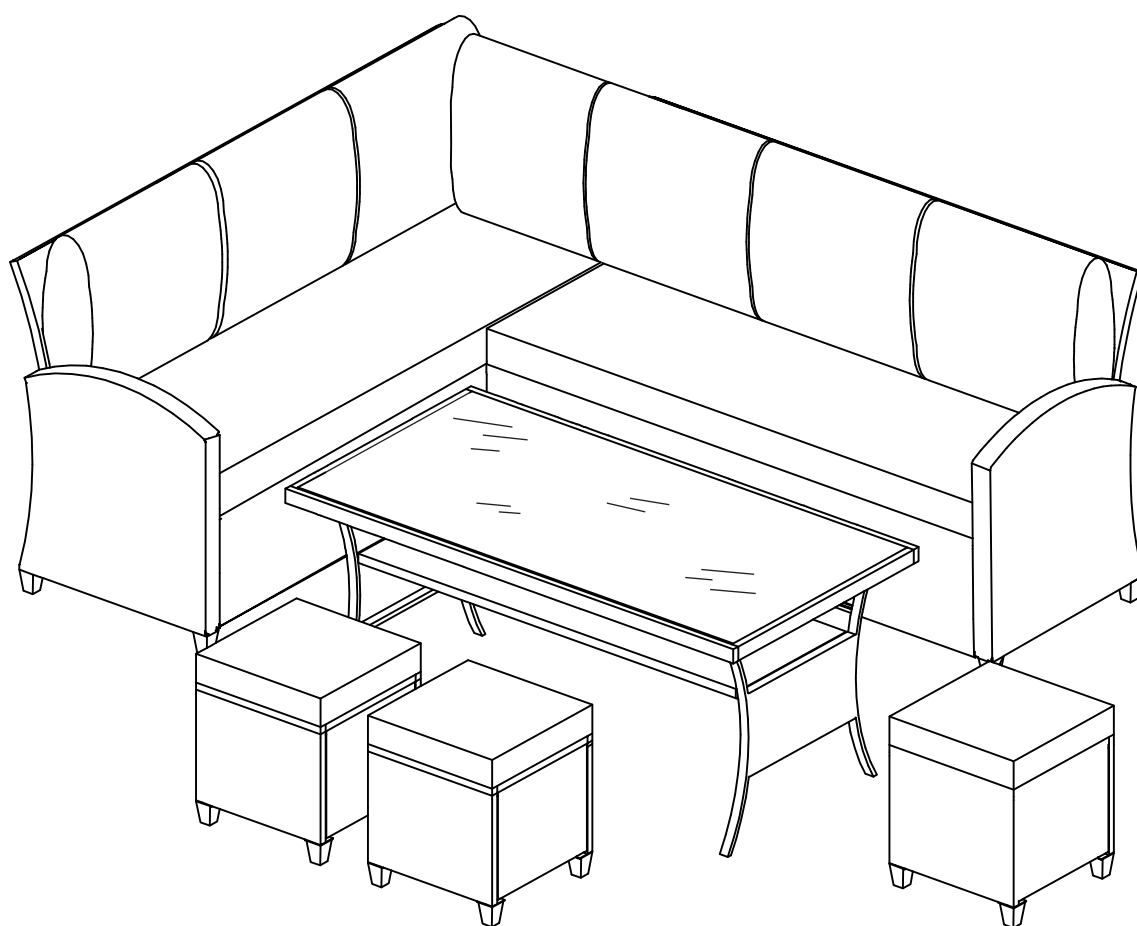


Instruction Manual

Aston 8 Seat Sofa Set High Back in Grey



CONTENTS

| | |
|------------------------|-----------|
| Safety and care advice | 1 |
| Components | 2 |
| Assembly instructions | 5 |
| Copyright | 16 |

⚠ SAFETY AND CARE ADVICE ⚠

PLEASE READ THESE INSTRUCTIONS CAREFULLY AND KEEP FOR FUTURE REFERENCE

- **Warning:** Please lift with care.
- Check you have all the components and tools listed on pages 2 and 3.
- Remove all fittings from the plastic bags and separate them into their groups.
- Keep children and animals away from the work area, small parts could choke if swallowed.
- Make sure you have enough space to lay out the parts before starting.
- Do not stand or put weight on the product, this could cause damage.
- Assemble the item as close to its final position (in the same room) as possible.

- Assemble on a soft level surface to avoid damaging the unit or your floor (use opened out unit carton).



- We do not recommend the use of power drill/drivers **for inserting screws**, as this could damage the unit. Only use hand screwdrivers.
- Dispose of all packaging carefully and responsibly.

CARE AND MAINTENANCE

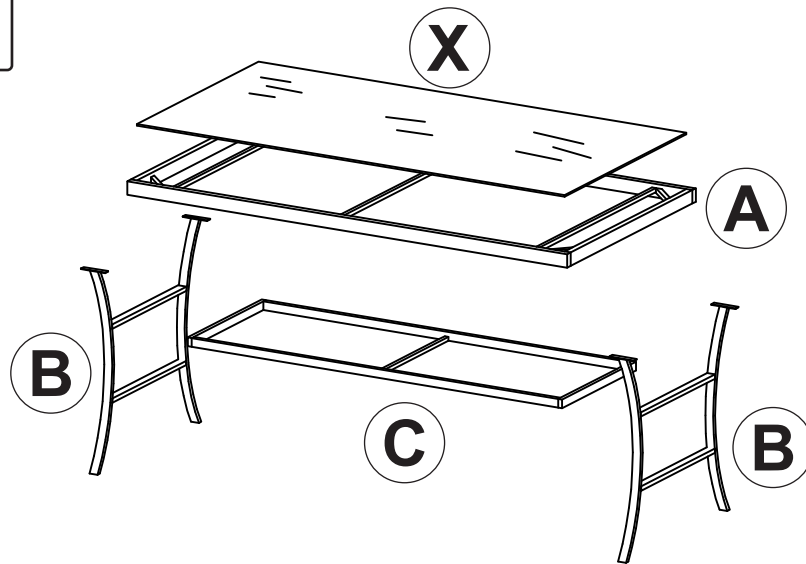
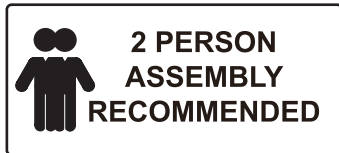
- Only clean using a damp cloth and mild detergent, do not use bleach or abrasive cleaners.
- From time to time check that there are no loose screws on this unit.

- This product should not be discarded with household waste. Take to your local authority waste disposal center.

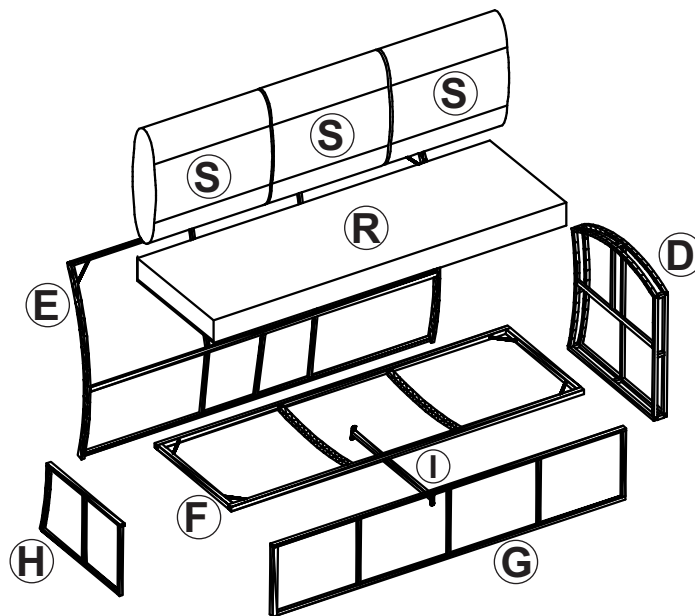
Note *If required the next page can be cut out and used as reference throughout the assembly. Keep this page with these instructions for future reference.*

COMPONENTS

Please check you have all the panels listed below:



| | | | |
|----------------------|----|------------------------|----|
| A Table frame | x1 | C Table support | x1 |
| B Table leg | x2 | X Glass | x1 |

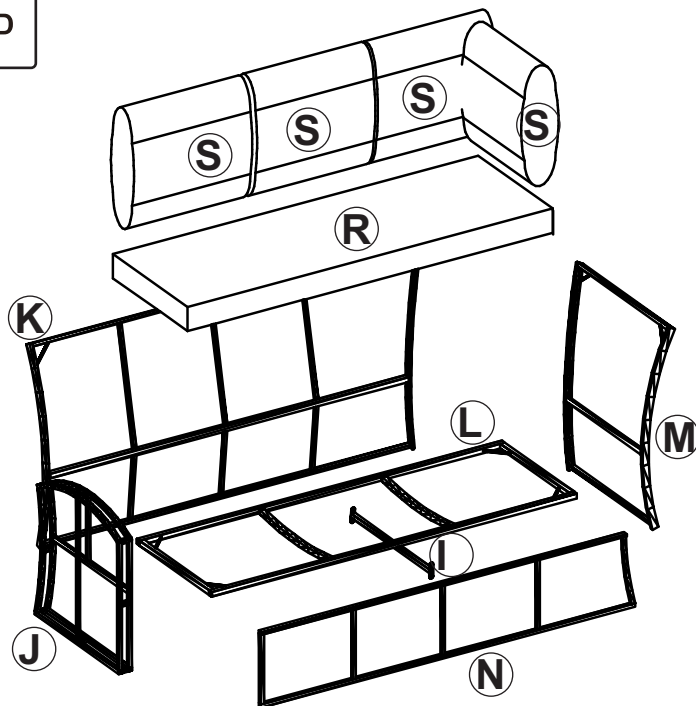
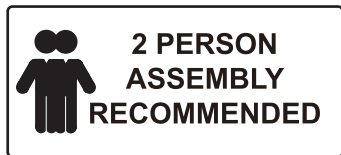


| | | | |
|---------------------------|----|---------------------------|----|
| D Left arm panel | x1 | H Bench side panel | x1 |
| E Bench back panel | x1 | I Bench support | x1 |
| F Bench seat panel | x1 | R Seat cushion | x1 |
| G Bench base panel | x1 | S Back cushion | x3 |

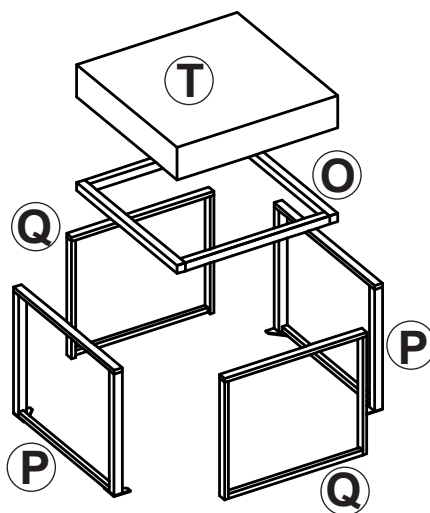


COMPONENTS

Please check you have all the panels listed below:



| | | | |
|----------------------------|----|----------------------------|----|
| J Right arm panel | x1 | N Corner base panel | x1 |
| K Corner back panel | x1 | I Bench support | x1 |
| L Corner seat panel | x1 | R Seat cushion | x1 |
| M Small back panel | x1 | S Back cushion | x4 |



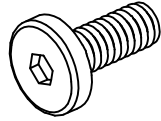
| | | | |
|--------------------|----|------------------------|----|
| O Stool top | x3 | Q Stool leg | x6 |
| P Stool leg | x6 | T Stool cushion | x3 |



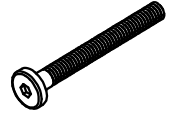
COMPONENTS

Please check you have all the panels listed below:

1 Bolt 6x15 x16



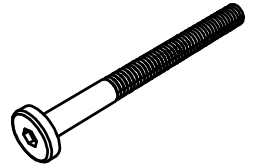
5 Bolt 6x60 x24



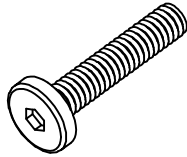
2 Washer x90



6 Bolt 6x110 x2



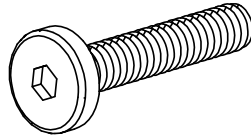
3 Bolt 6x30 x58



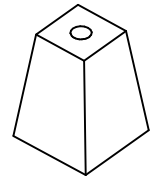
7 Allen key x2



4 Bolt 6x40 x14

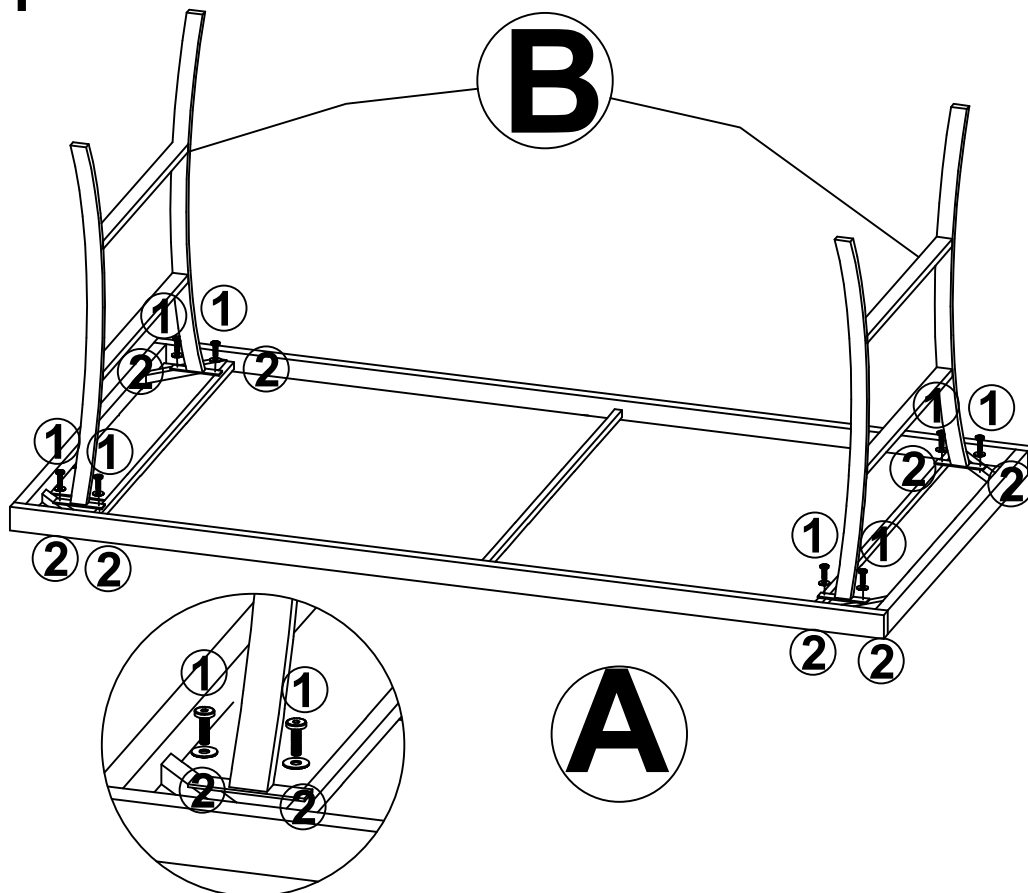
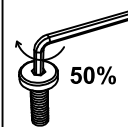


8 Leg x24

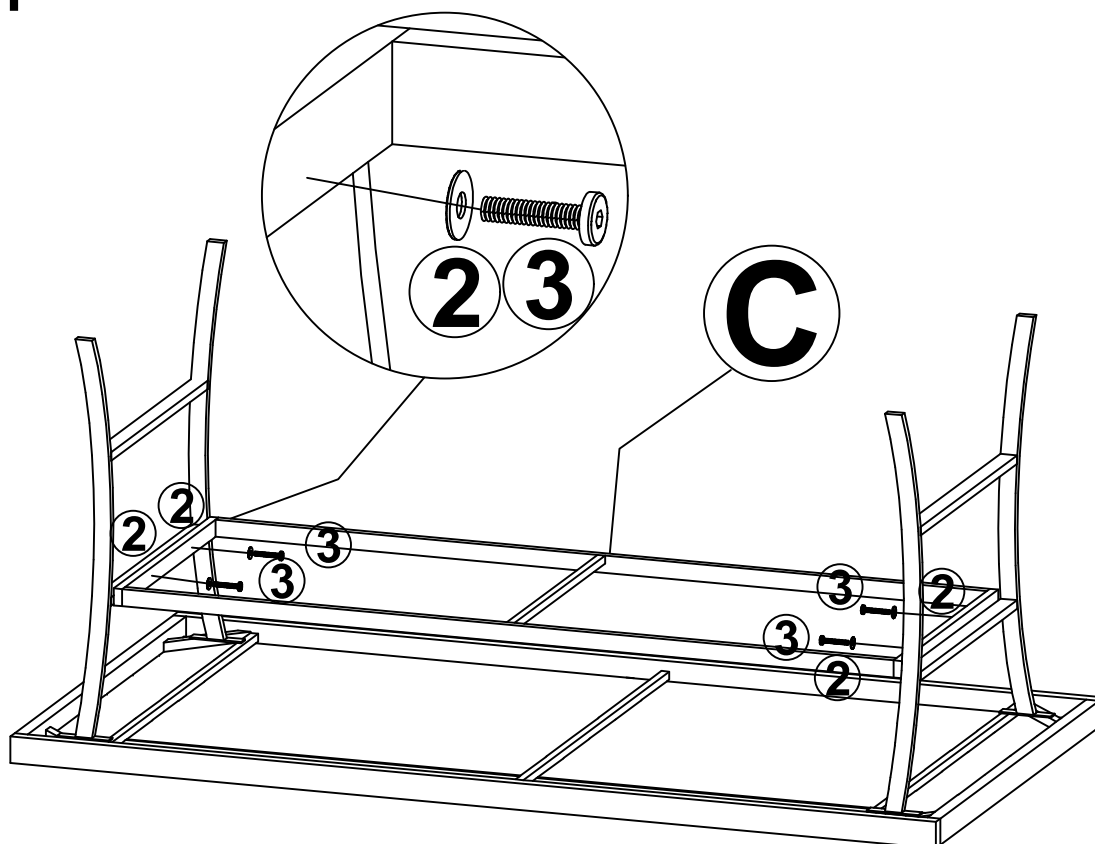
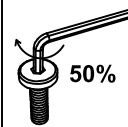


ASSEMBLY INSTRUCTIONS

Step 1

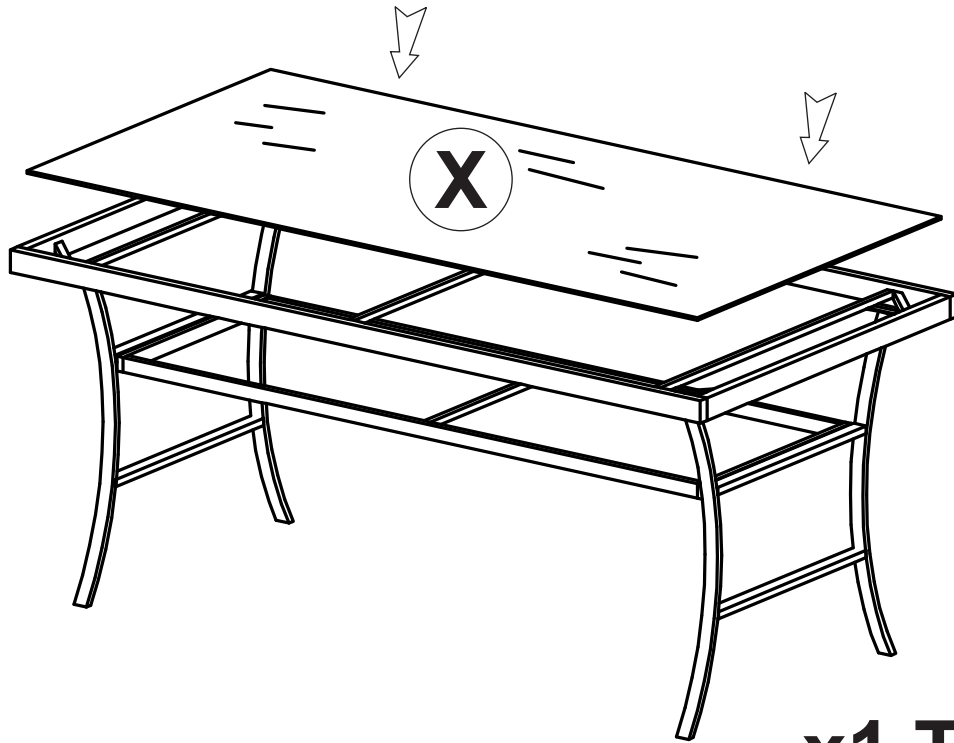


Step 2



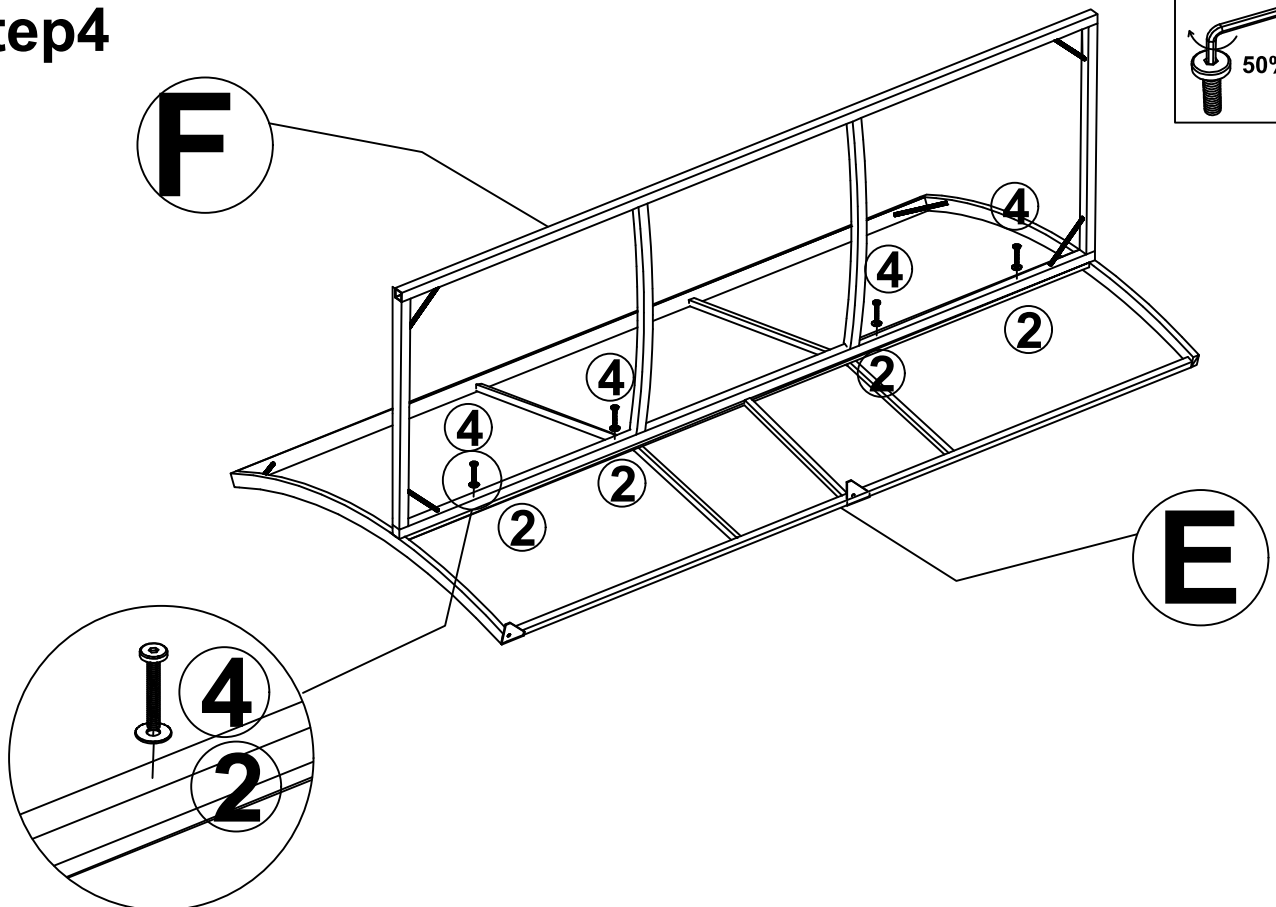
ASSEMBLY INSTRUCTIONS

Step3



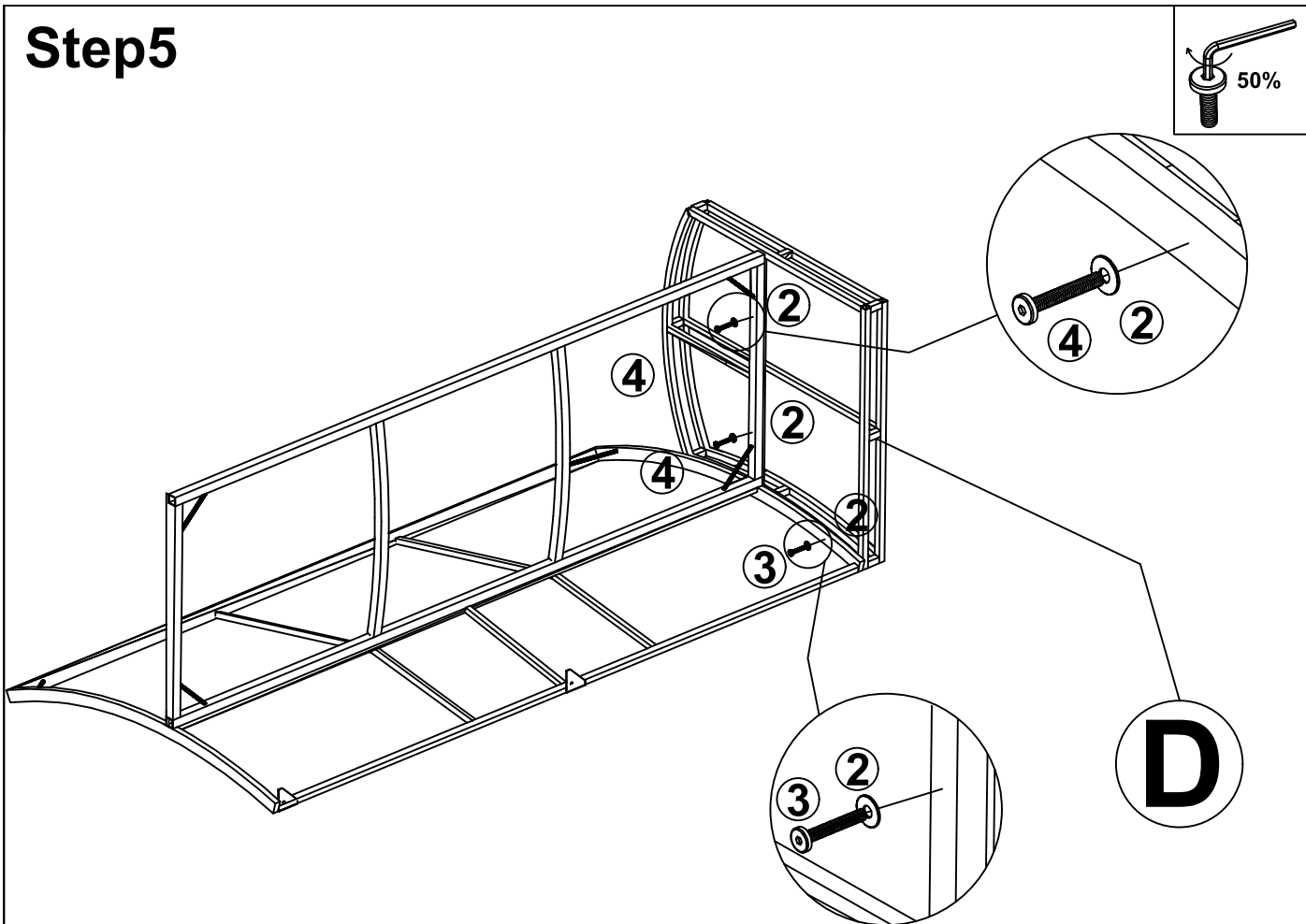
x1 Table

Step4

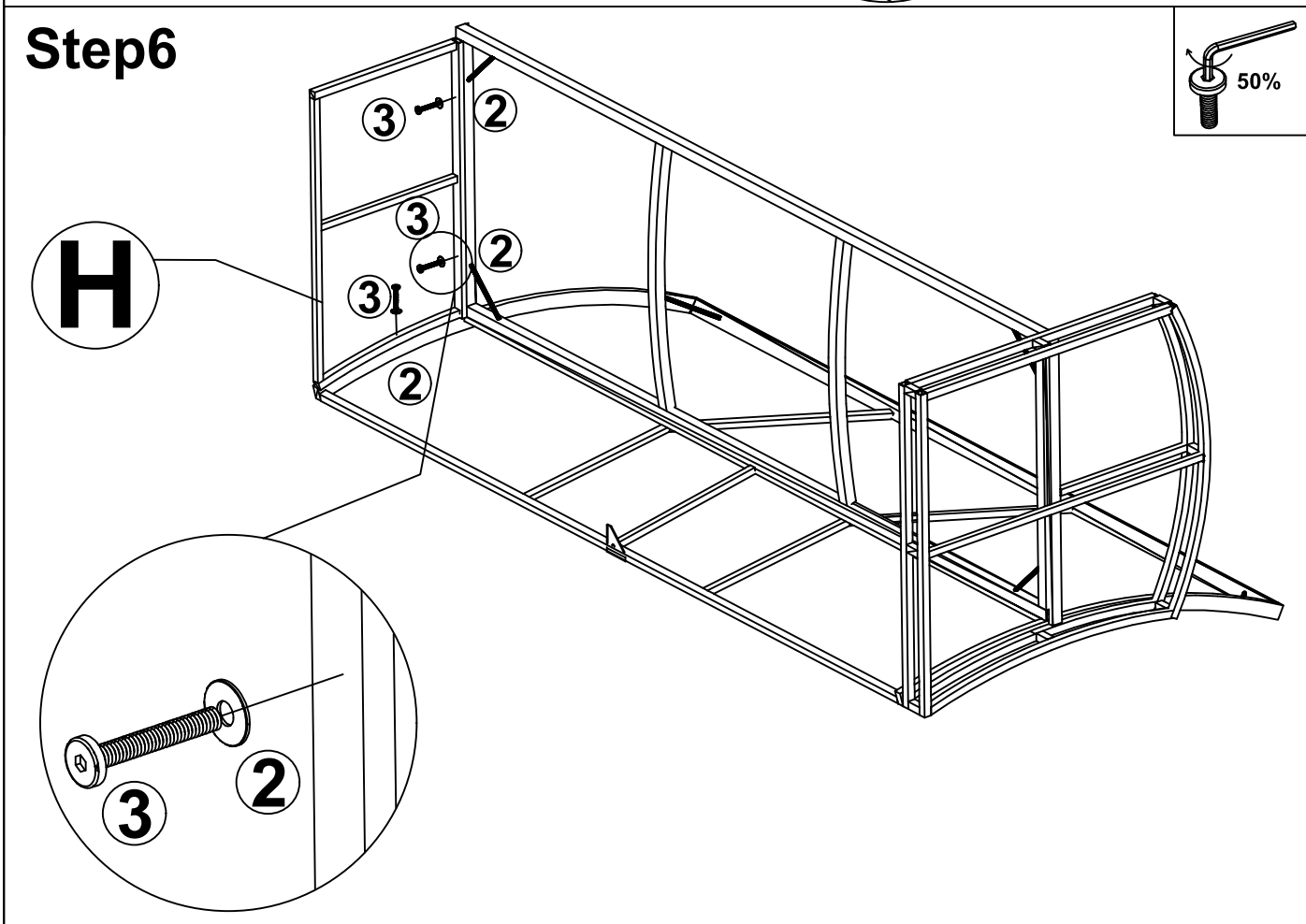


ASSEMBLY INSTRUCTIONS

Step 5

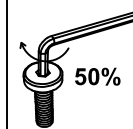


Step 6

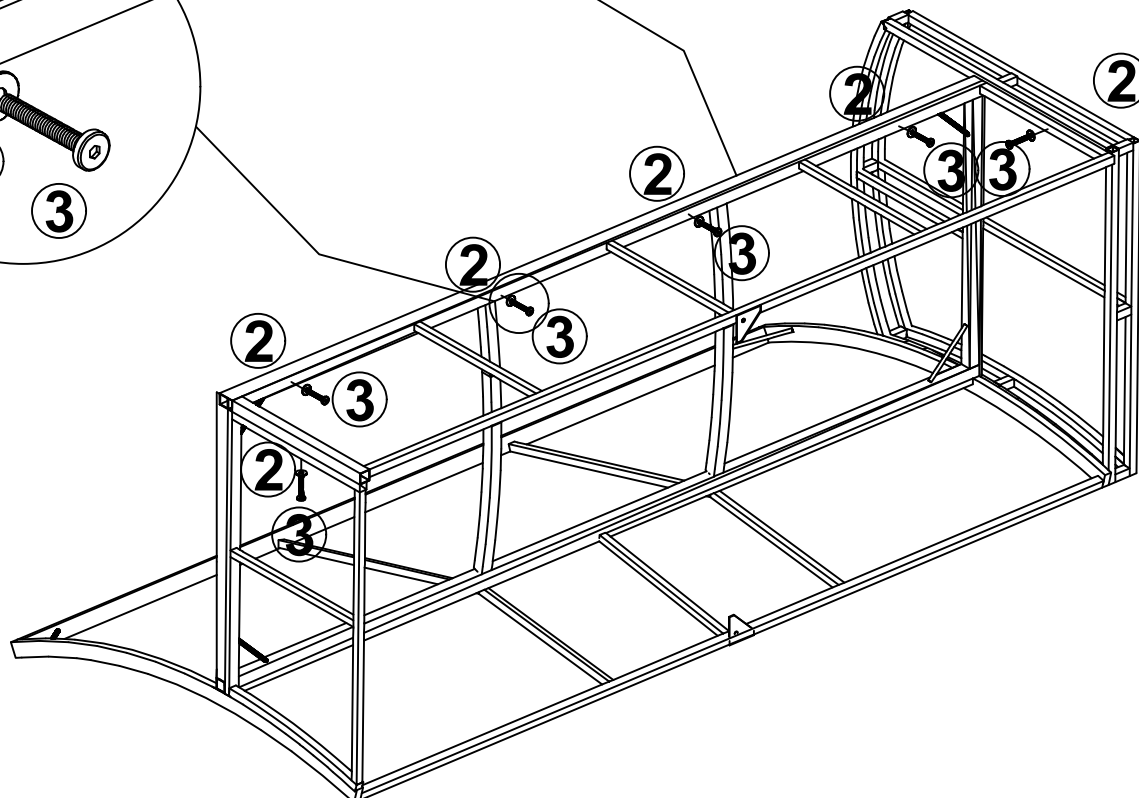
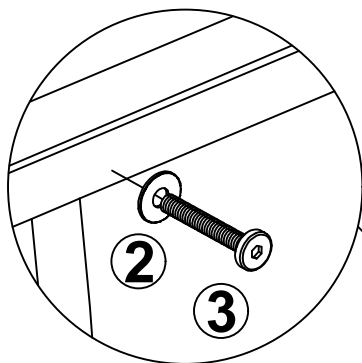


ASSEMBLY INSTRUCTIONS

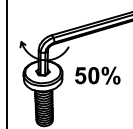
Step 7



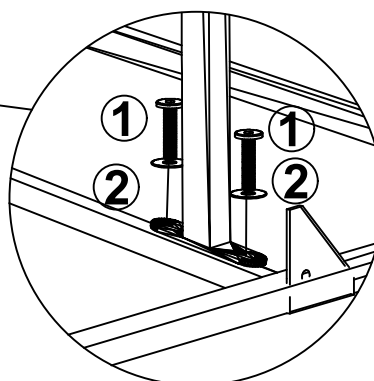
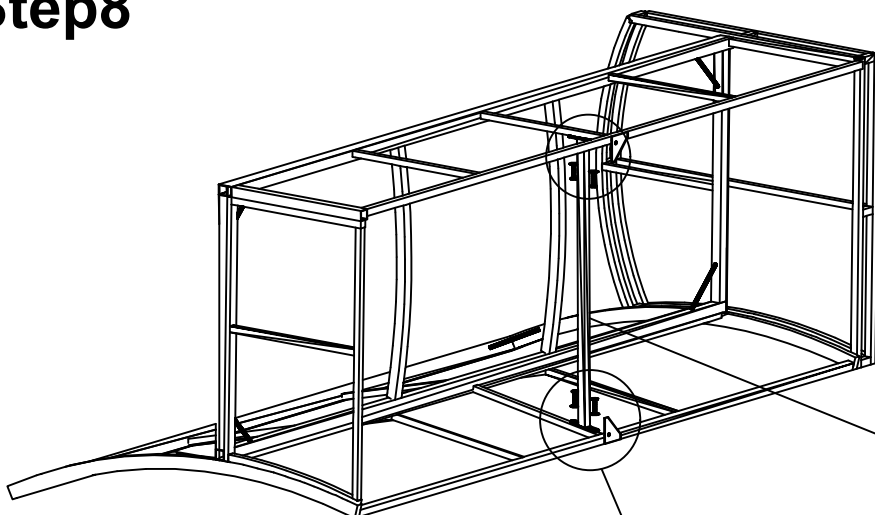
G



Step 8

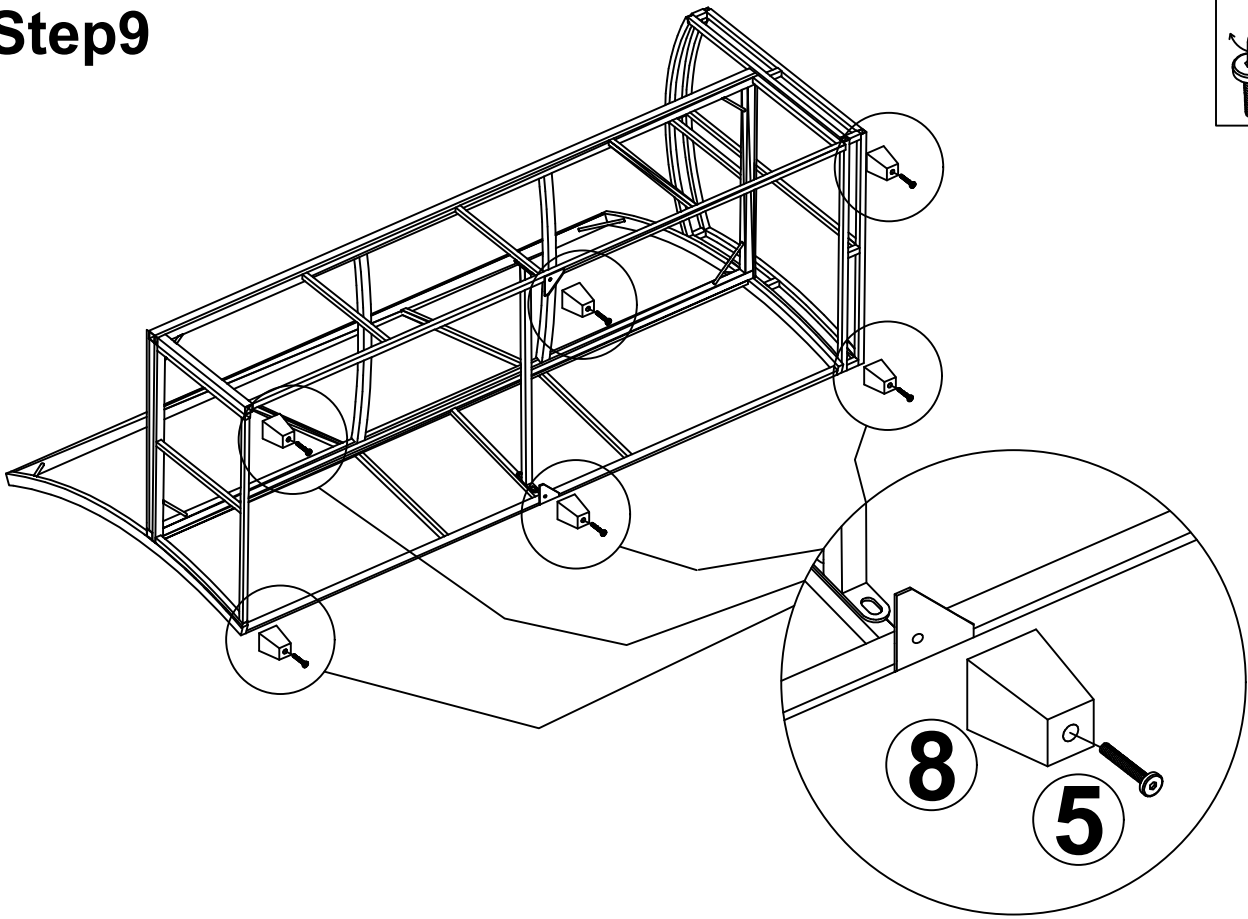


I

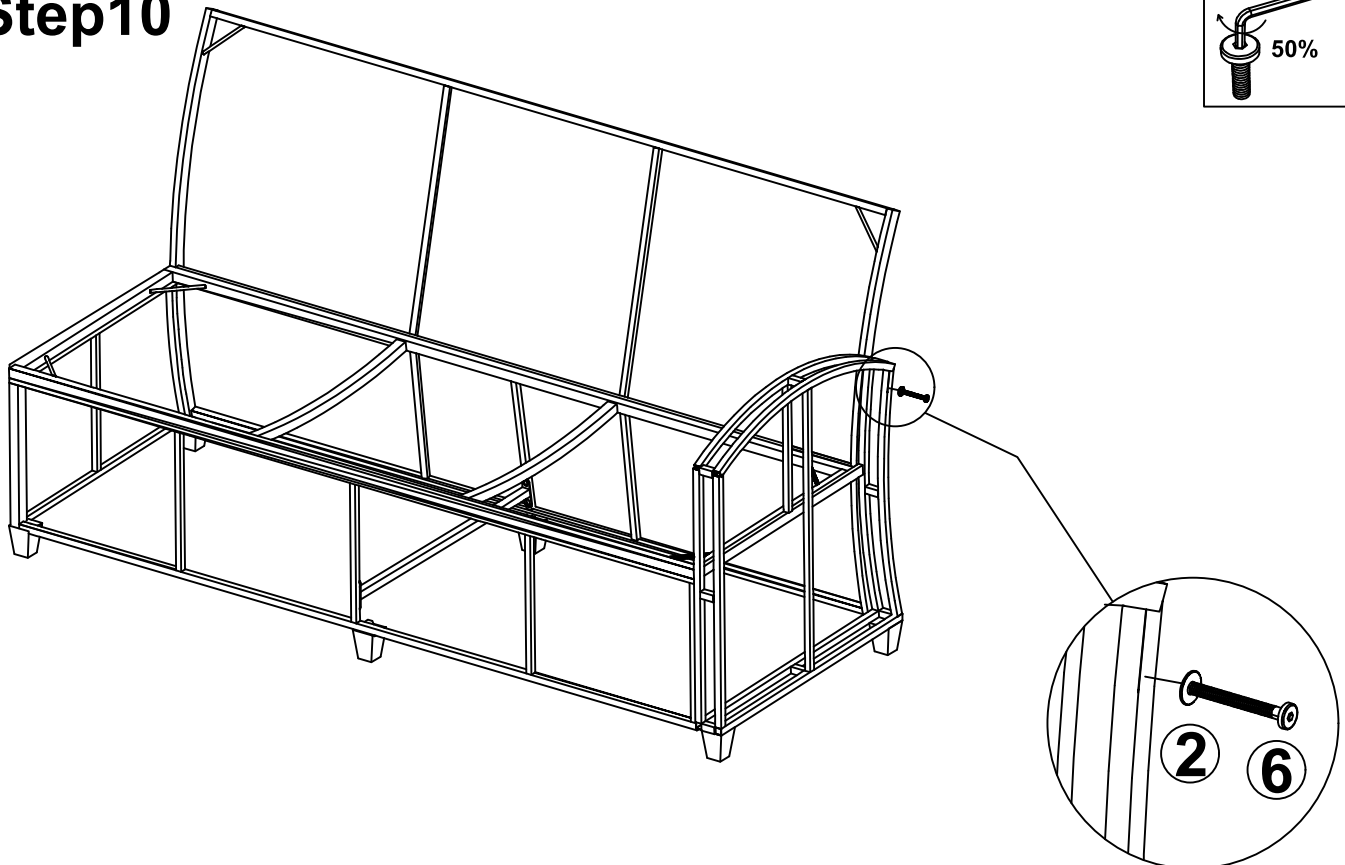


ASSEMBLY INSTRUCTIONS

Step 9

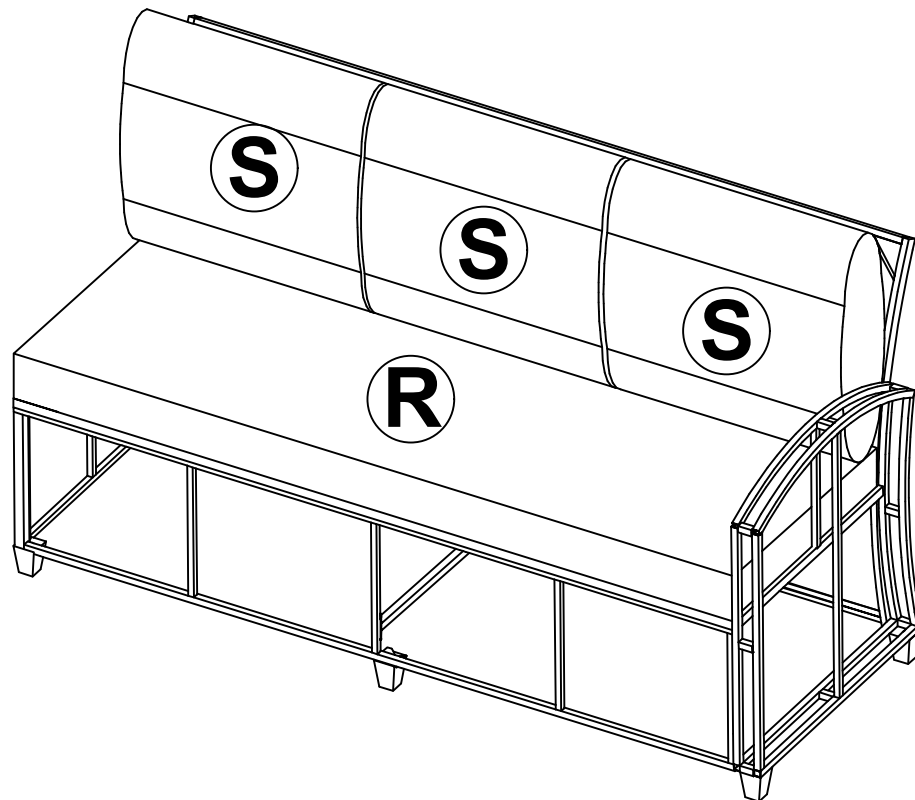


Step 10



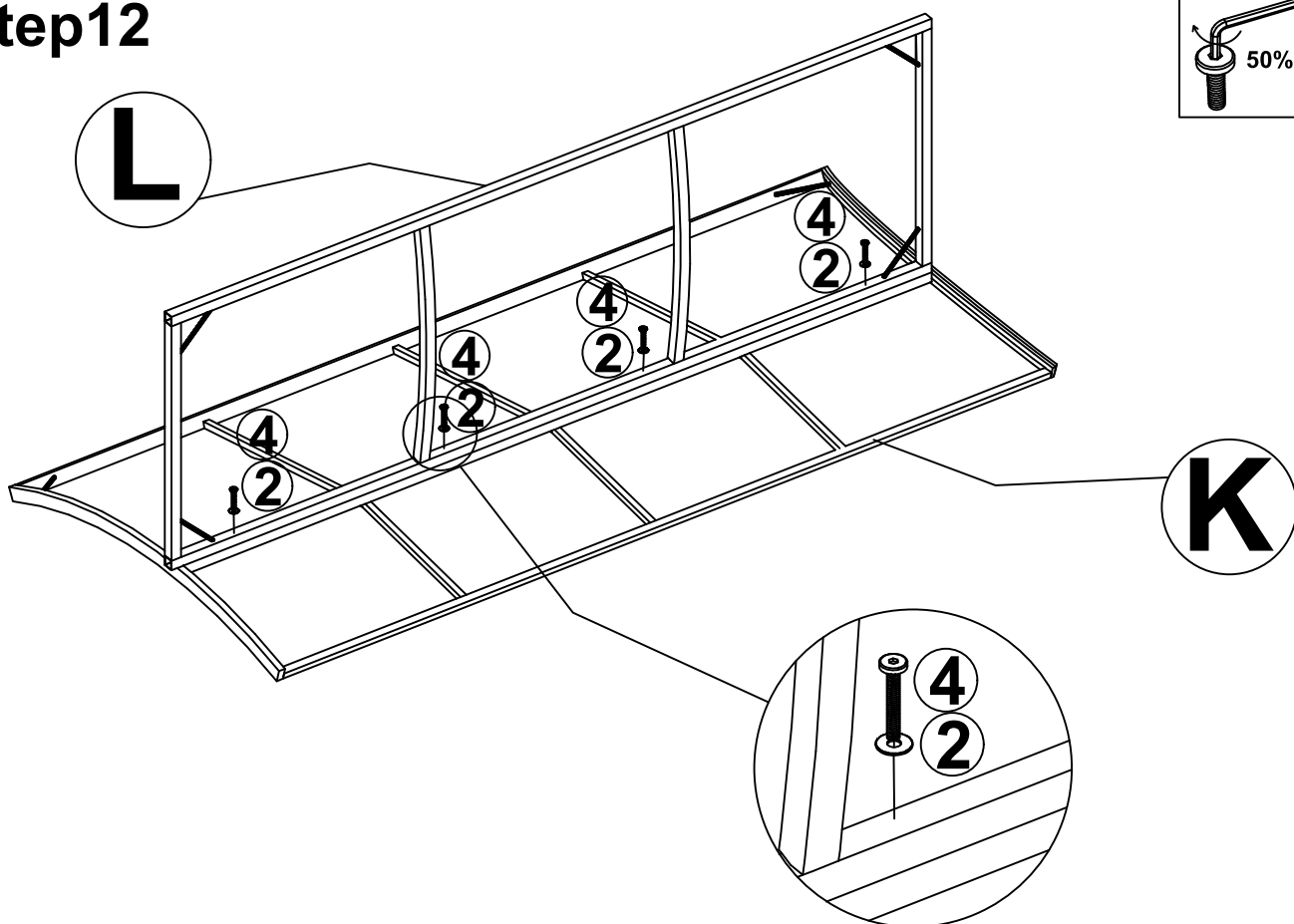
ASSEMBLY INSTRUCTIONS

Step 11



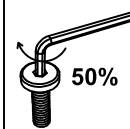
x1 Bench

Step 12

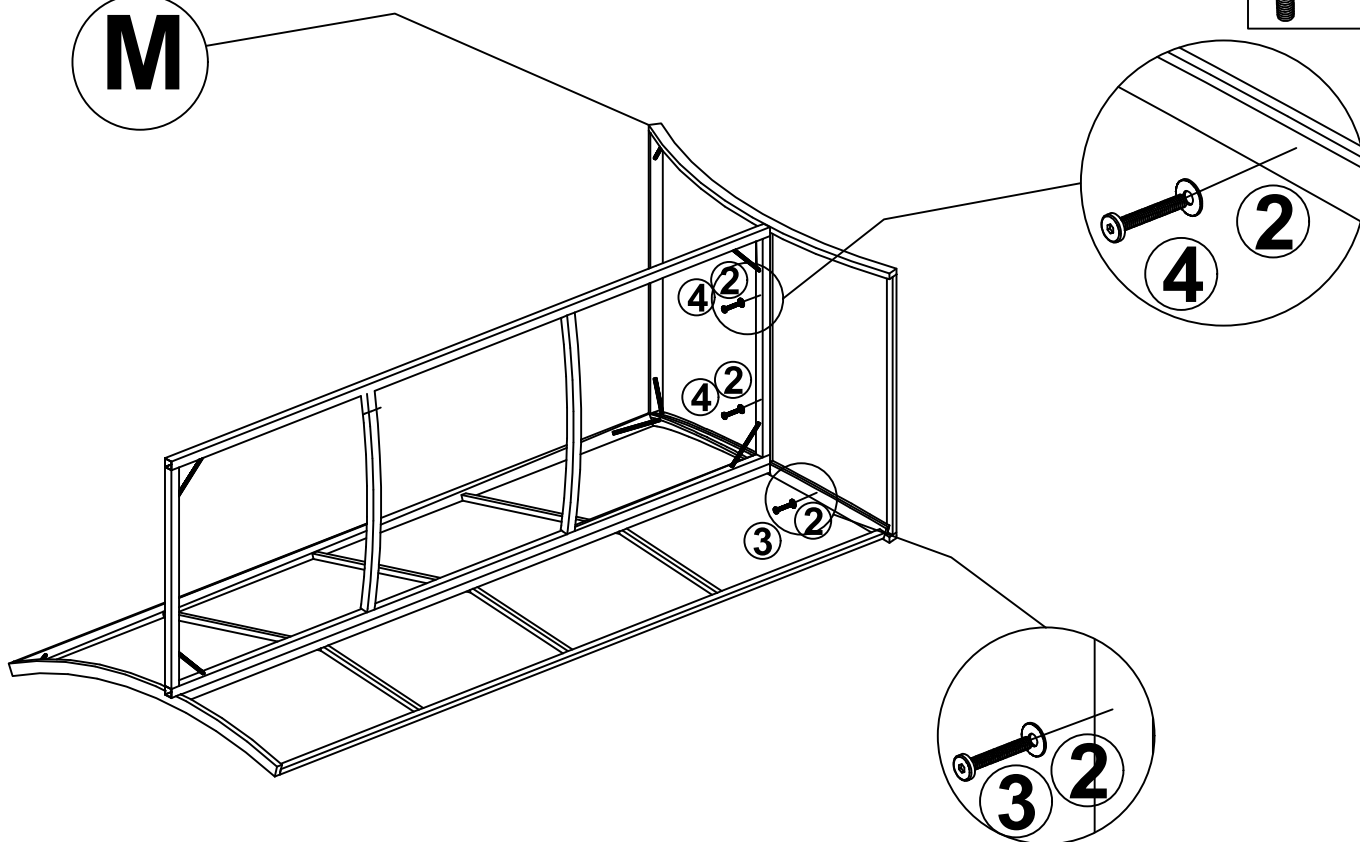


ASSEMBLY INSTRUCTIONS

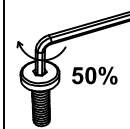
Step 13



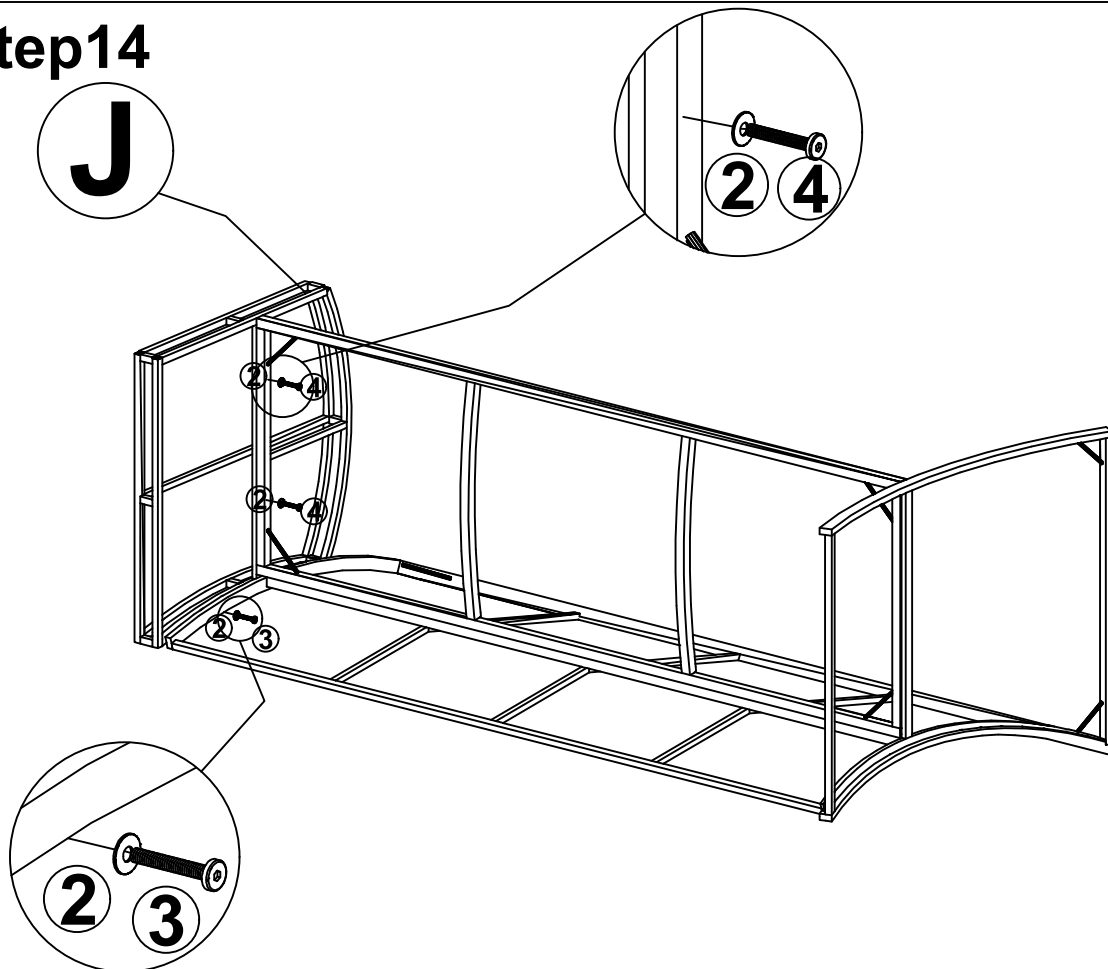
M



Step 14

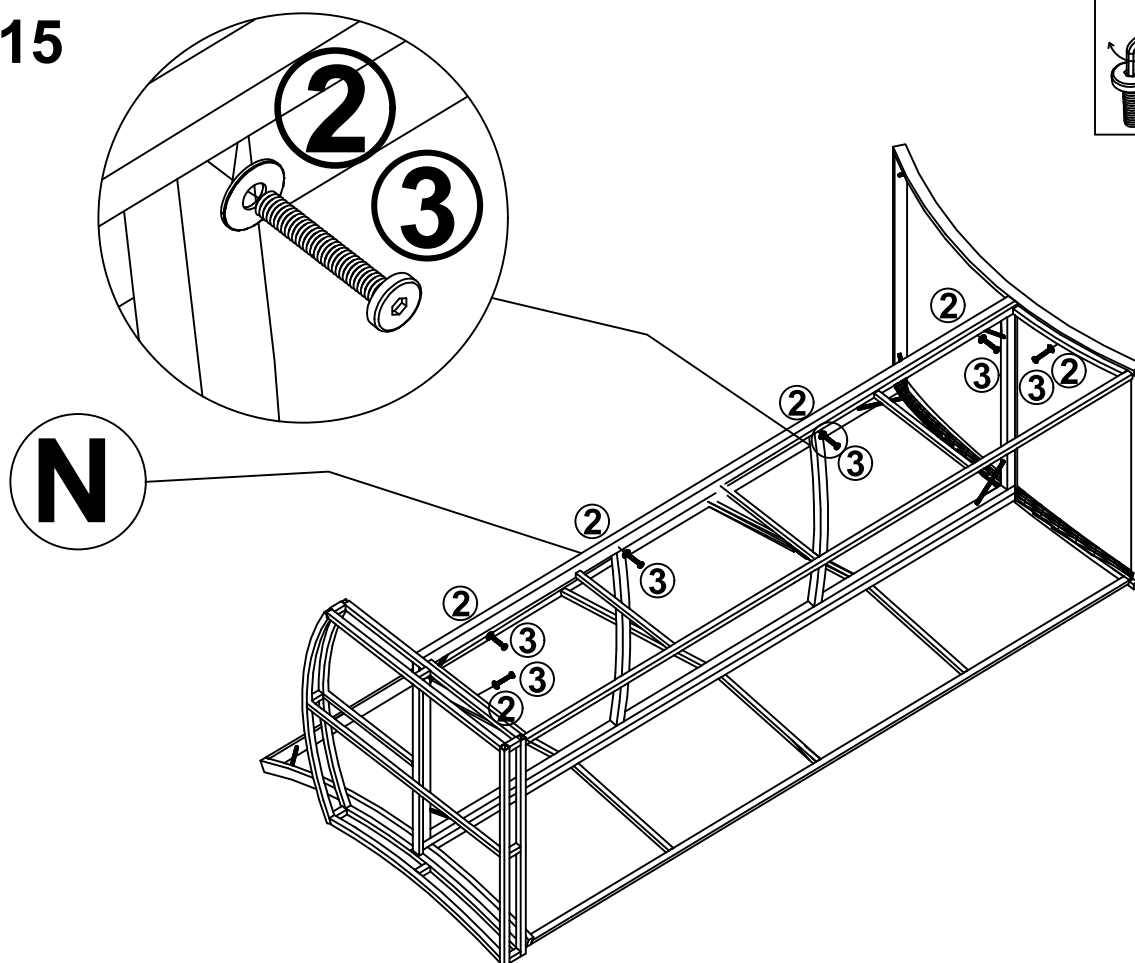


J

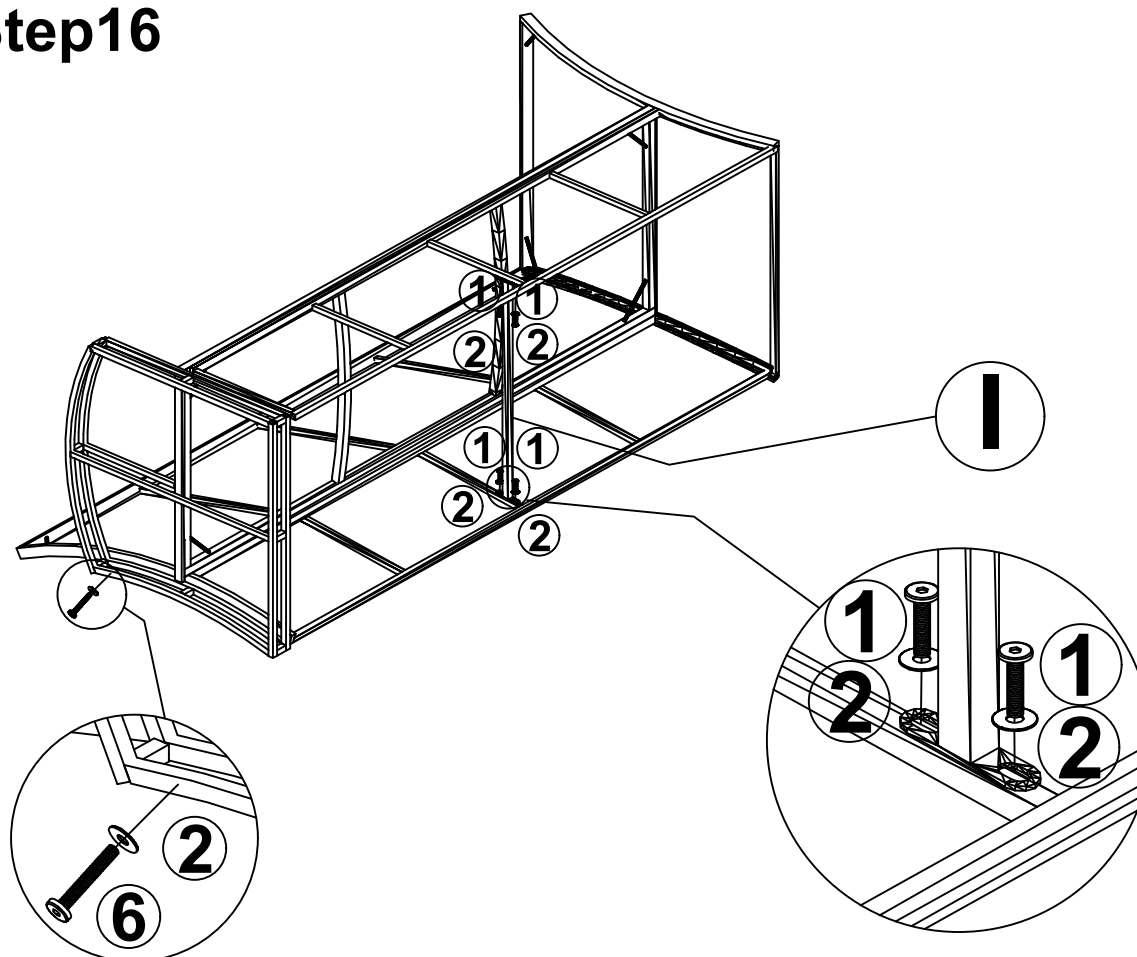


ASSEMBLY INSTRUCTIONS

Step 15

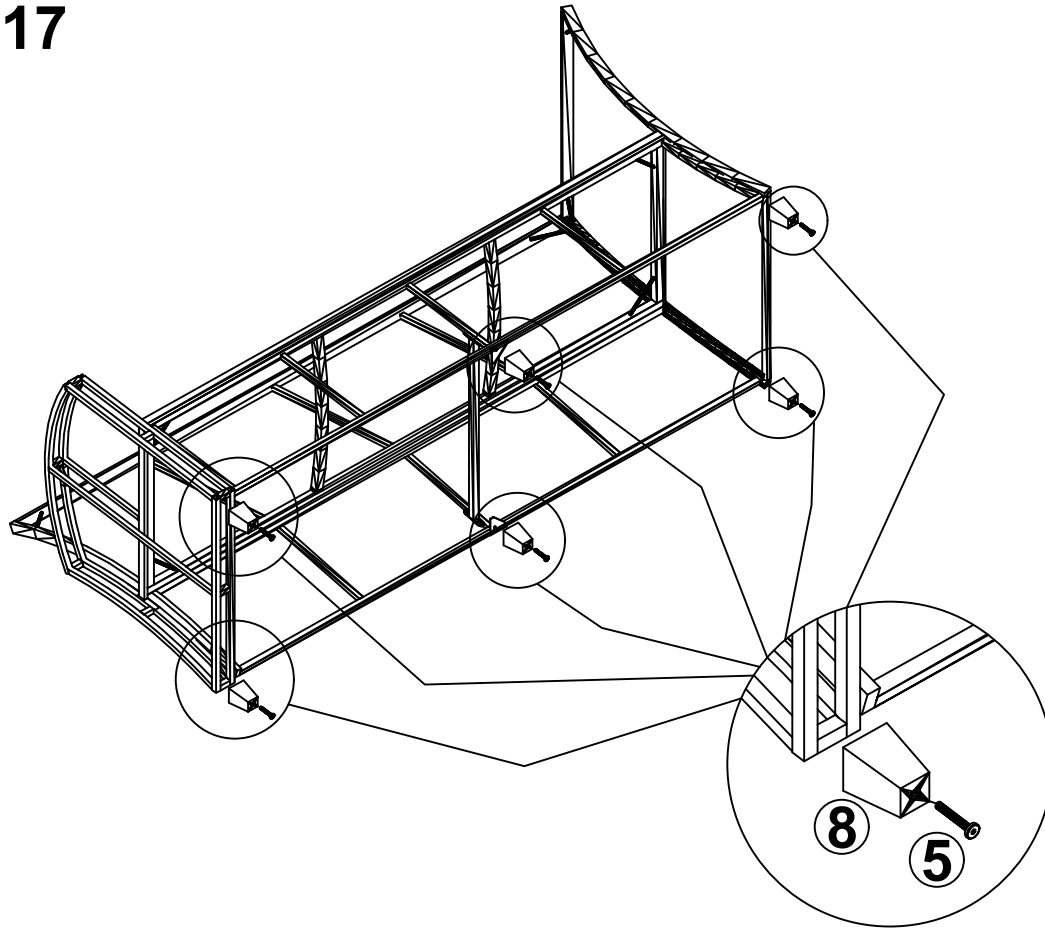


Step 16

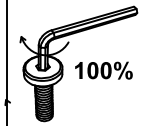
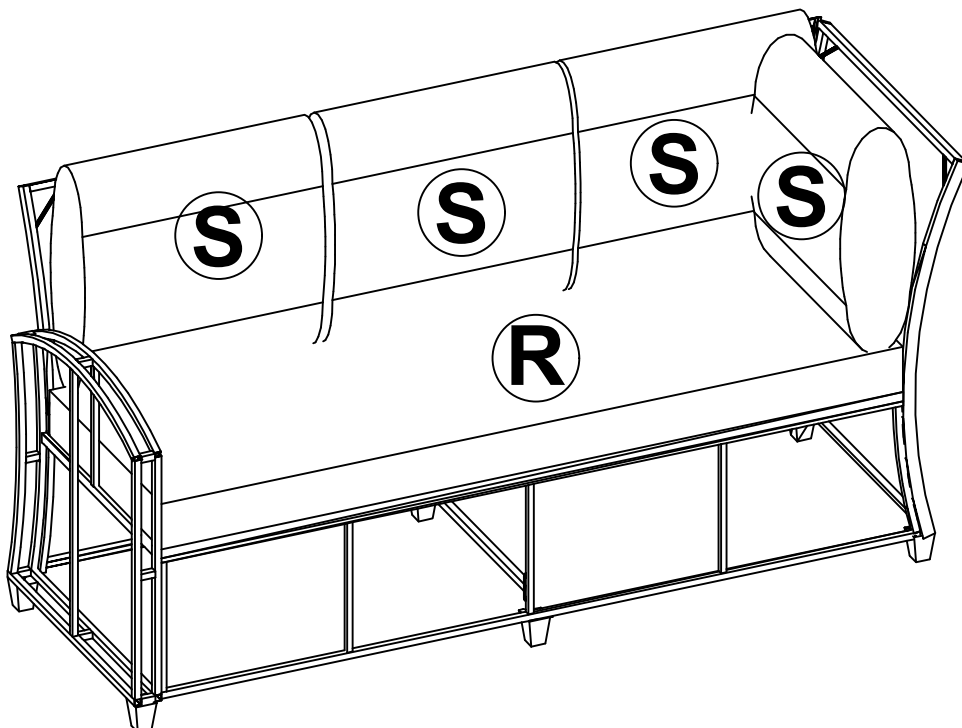


ASSEMBLY INSTRUCTIONS

Step17



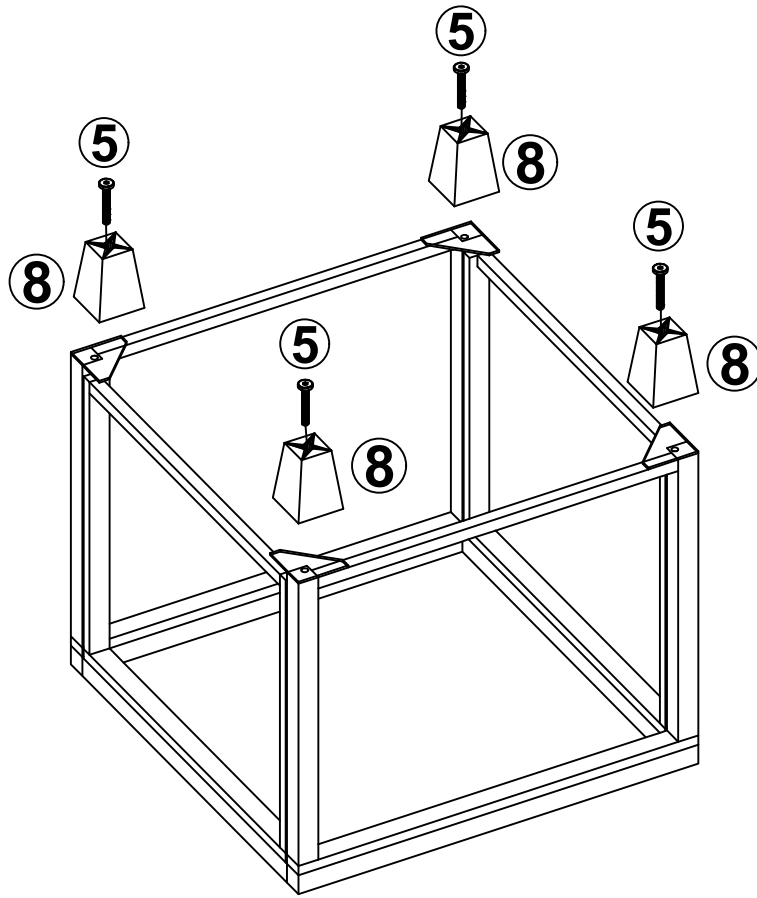
Step18



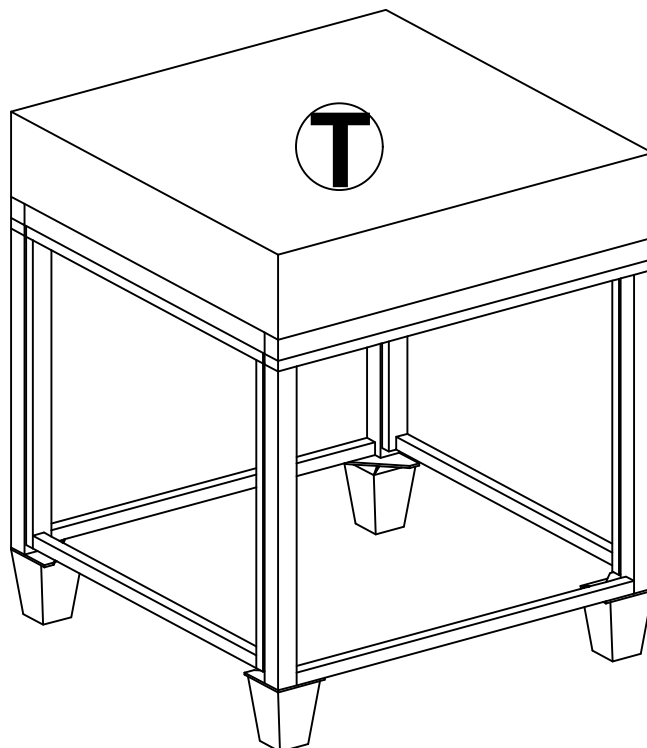
x1 Corner sofa

ASSEMBLY INSTRUCTIONS

Step21



Step22



x3 Stool

IF YOU FIND A DEFECTIVE PART

We fully stock all parts and components. Any defective part can be quickly replaced. Take note of the defective part number in manual and we will arrange a quick replacement.