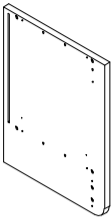
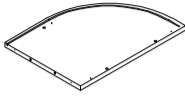
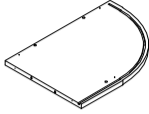
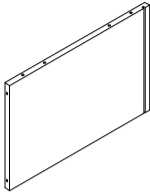
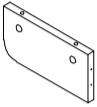

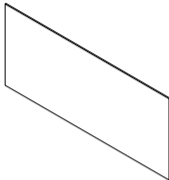
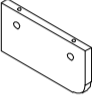
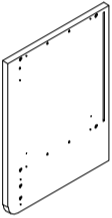

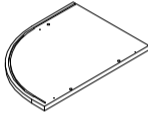
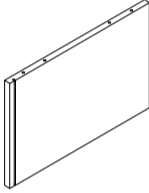
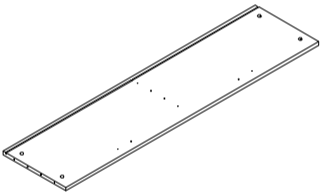
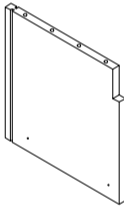
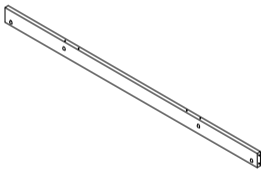
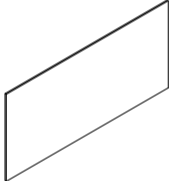
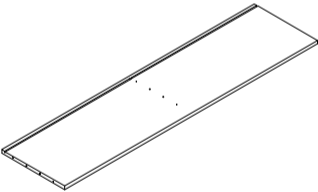
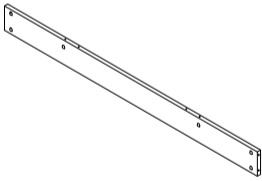
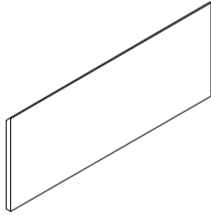
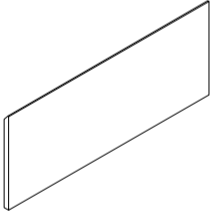
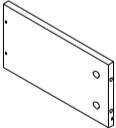
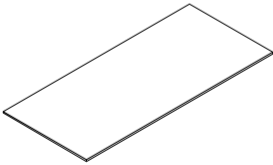
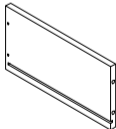
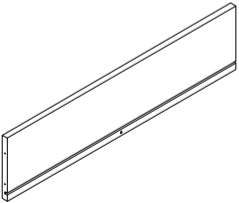
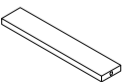

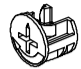


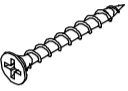







Parts and Operation Elements

			
① 1pc	② 1pc	③ 1pc	④ 1pc
			
⑤ 1pc	⑥ 2pcs	⑦ 2pcs	⑧ 1pc
			
⑨ 1pc	⑩ 1pc	⑪ 1pc	⑫ 1pc
			
⑬ 1pc	⑭ 1pc	⑮ 1pc	⑯ 2pcs
			
⑰ 1pc	⑱ 1pc	⑲ 1pc	⑳ 1pc
			
㉑ 2pcs	㉒ 2pcs	㉓ 2pcs	㉔ 2pcs
			
㉕ 2pcs			

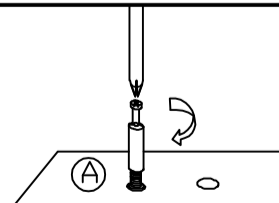
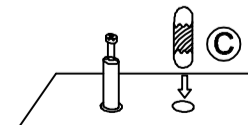
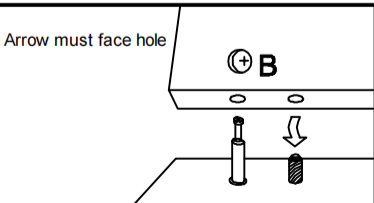
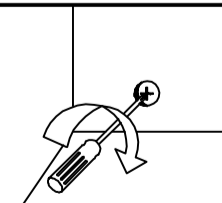
Hardware

							
Cam bolt		Cam Lock		Ø8x30mm Wood dowel		4x40mm screw	
A	46pcs+4pcs	B	46pcs+4pcs	C	38pcs+2pcs	D	18pcs+2pcs
							
4x30mm screw		3x12mm screw		250mm		250mm	
E	10pcs+2pcs	F	16pcs+2pcs	CR	2pcs	CL	2pcs
							
250mm		250mm					
DR	2pcs	DL	2pcs				

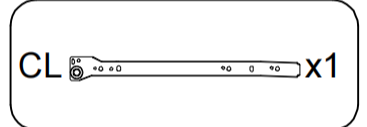
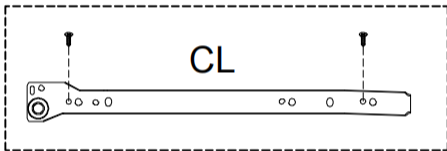
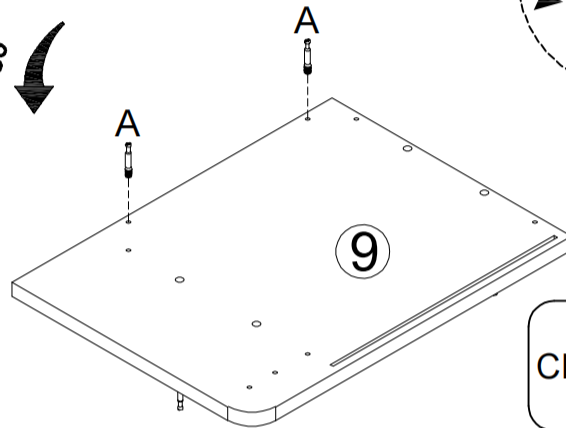
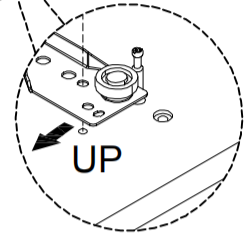
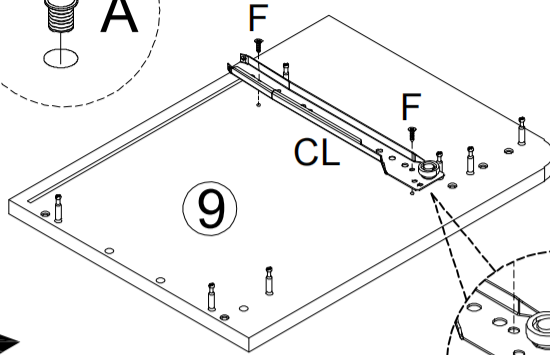
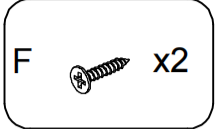
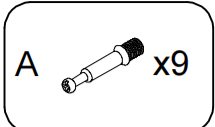
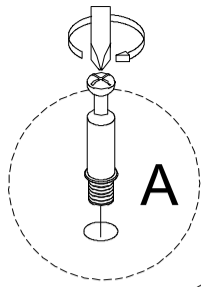
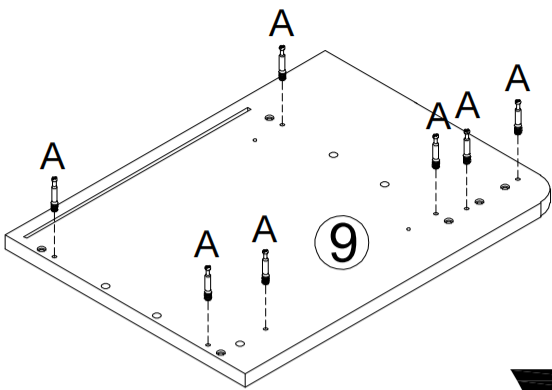


SPARE BAG

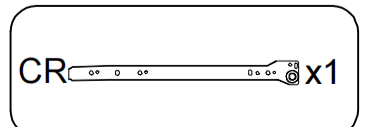
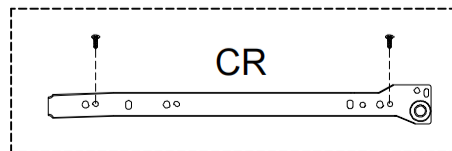
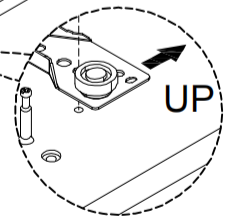
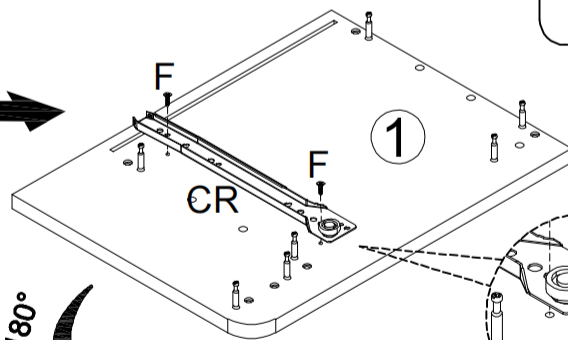
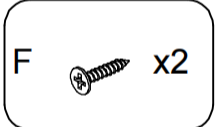
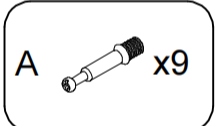
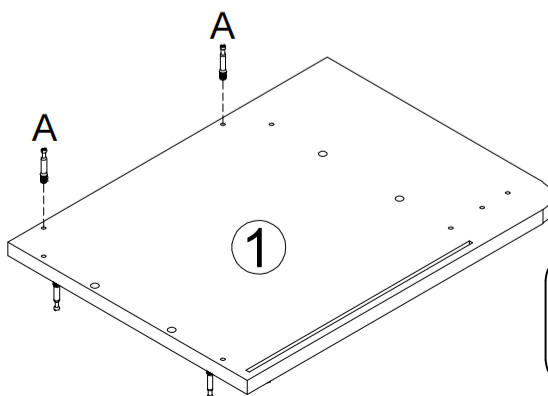
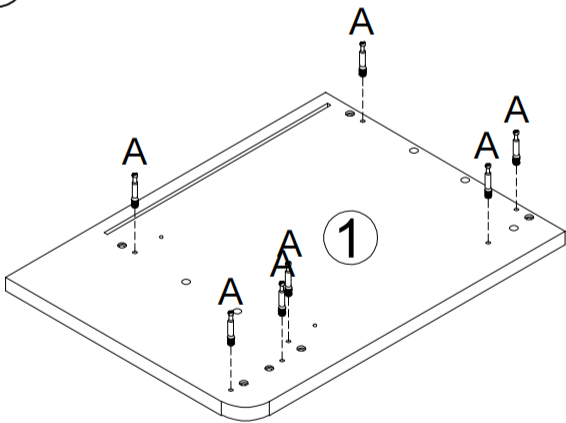
THE SPARE BAG INCLUDED EXTRA HARDWARE FOR DAMAGED OR MISSING SMALL HARDWARE WHILE YOU ARE ASSEMBLING

			
Gently screw cam bolt into the threaded anchor.	Insert the wood dowel halfway into hole.	Arrow must face hole	Screw the camlock firmly into locked position

1

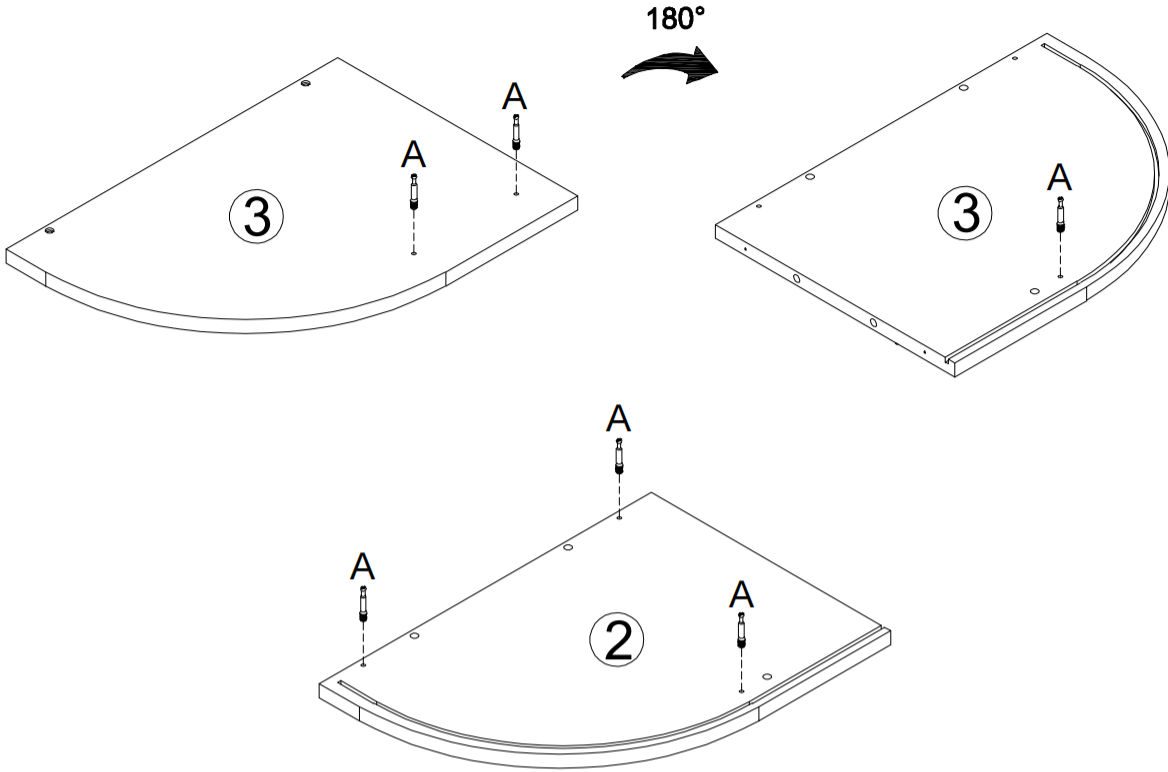


2



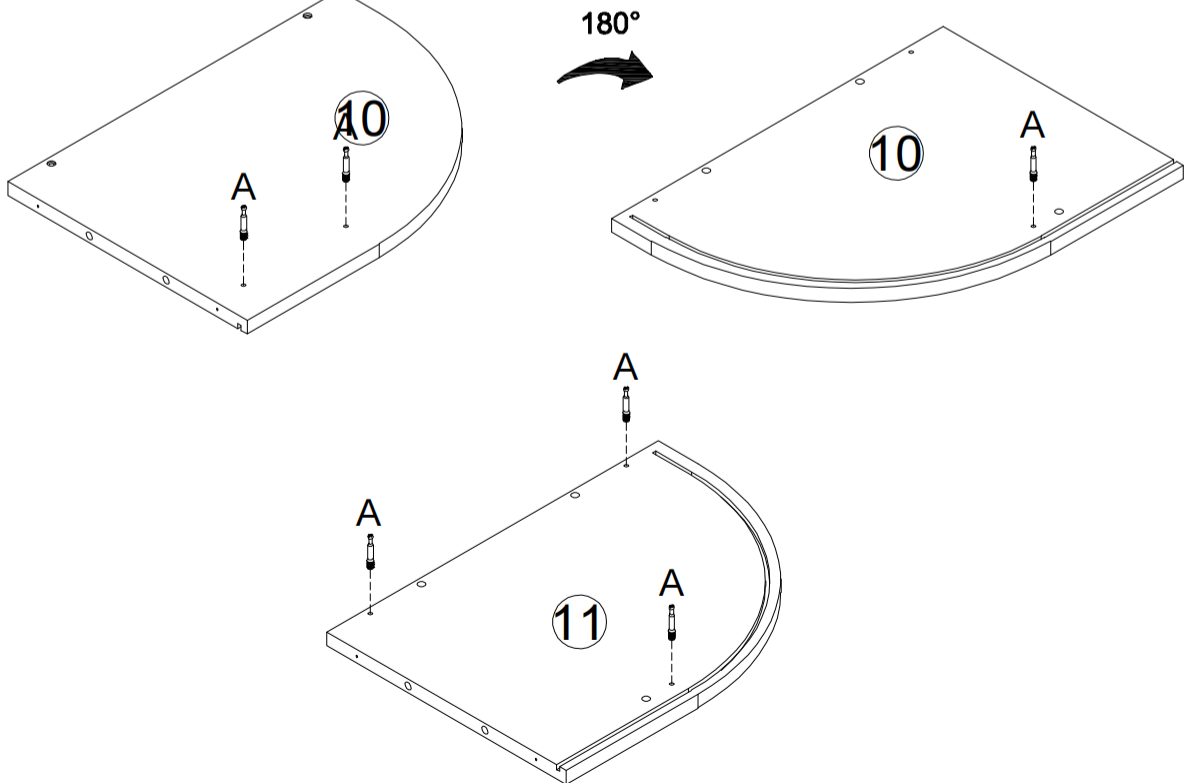
3

A  x6




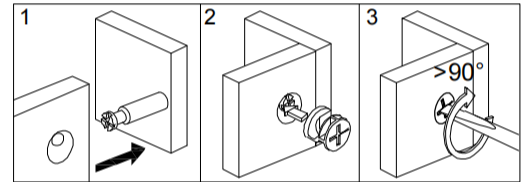
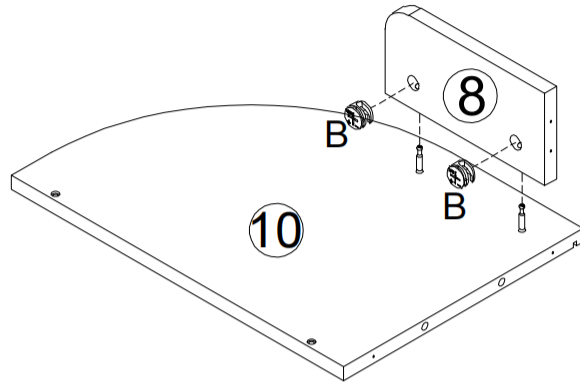
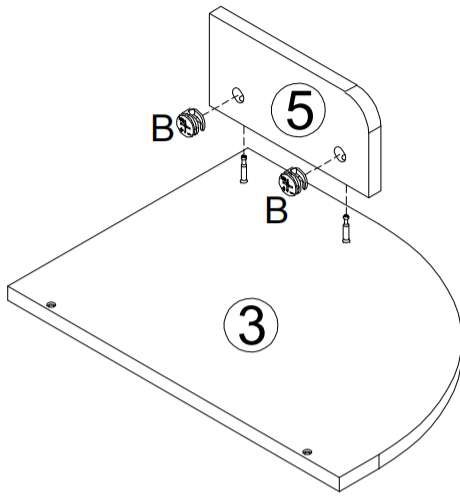
4

A  x6





5

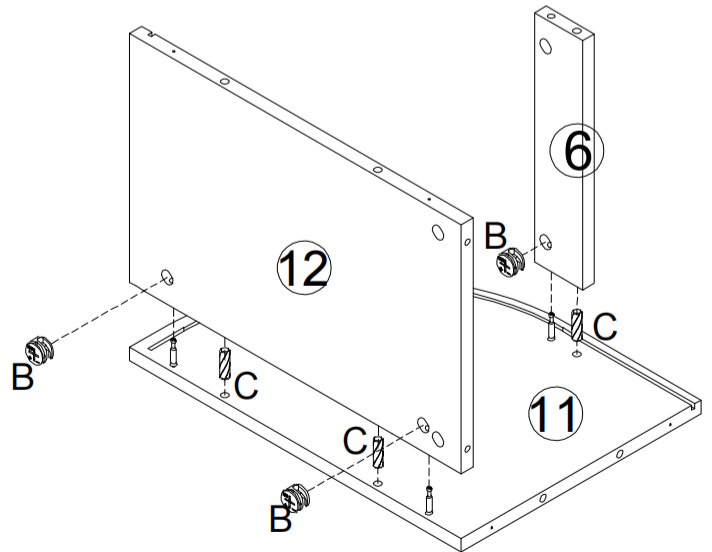
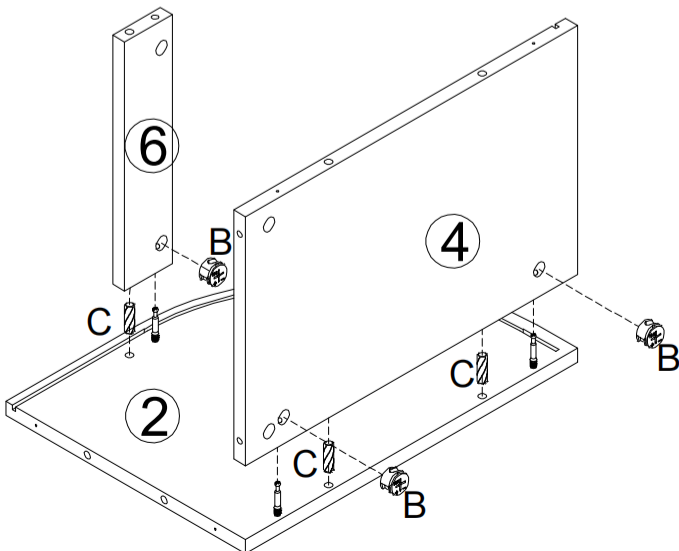
B  x4





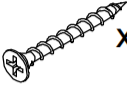
6

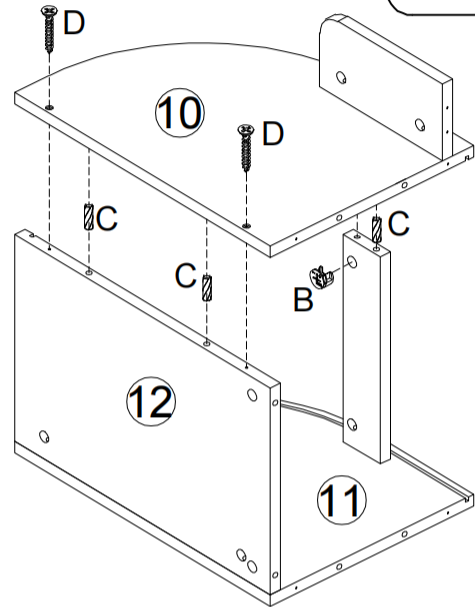
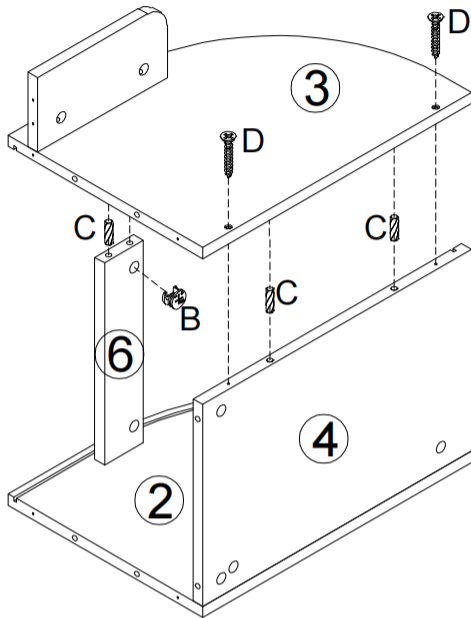
B  x6

C  x6

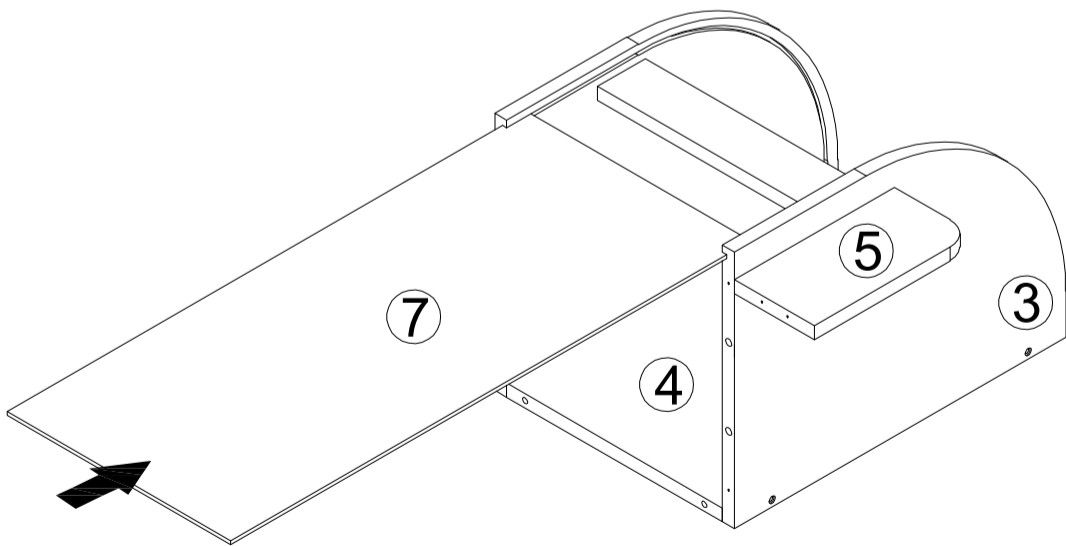


7

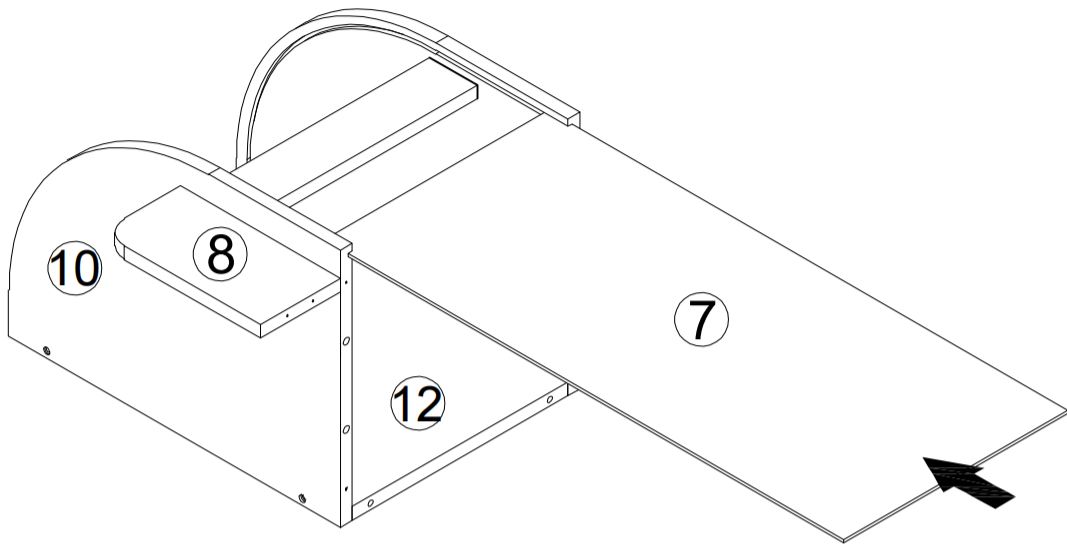
- B  x2
- C  x6
- D  x4



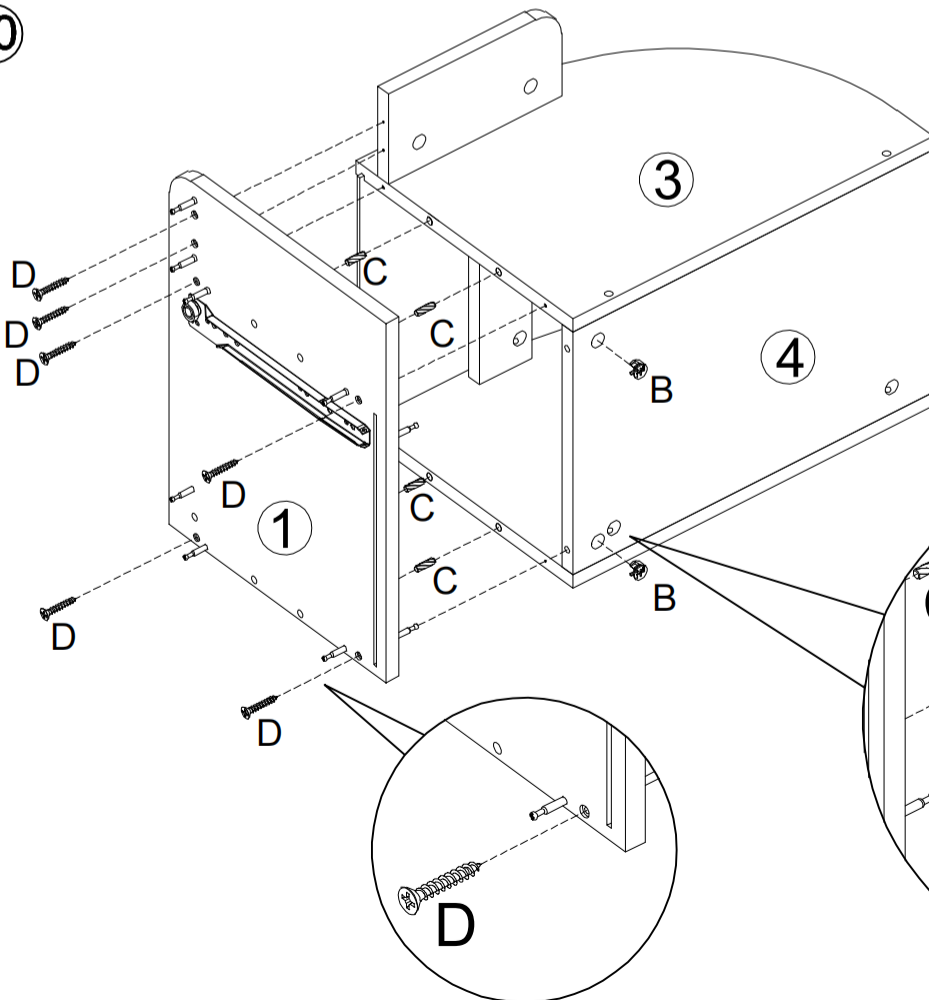
8






9

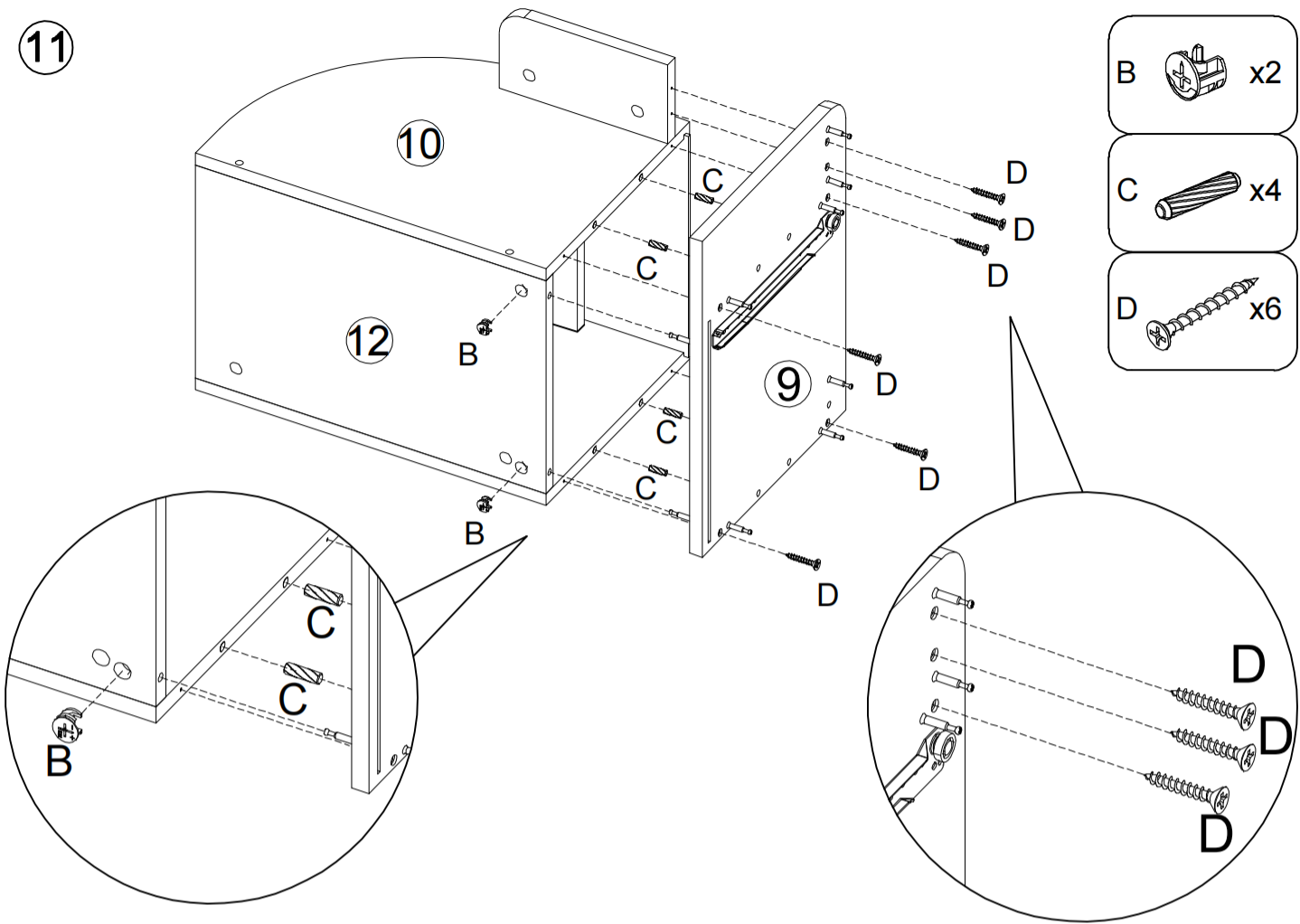


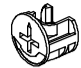

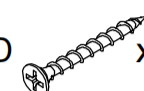
10



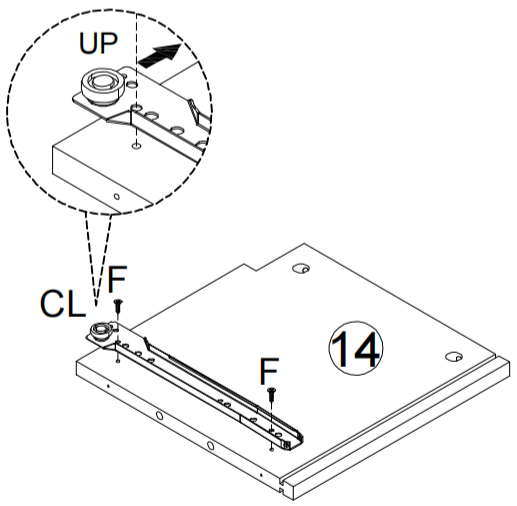
- B  x2
- C  x4
- D  x6

11

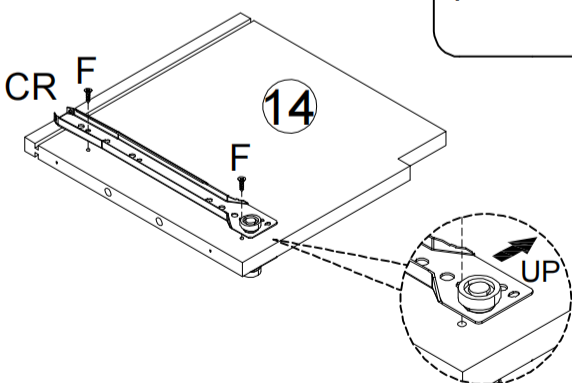



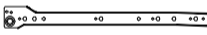

- B  x2
- C  x4
- D  x6

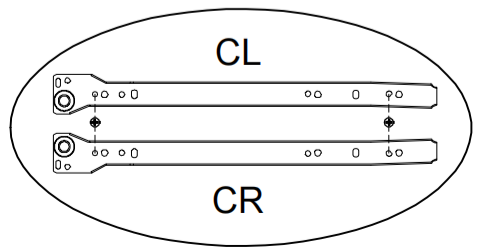
12



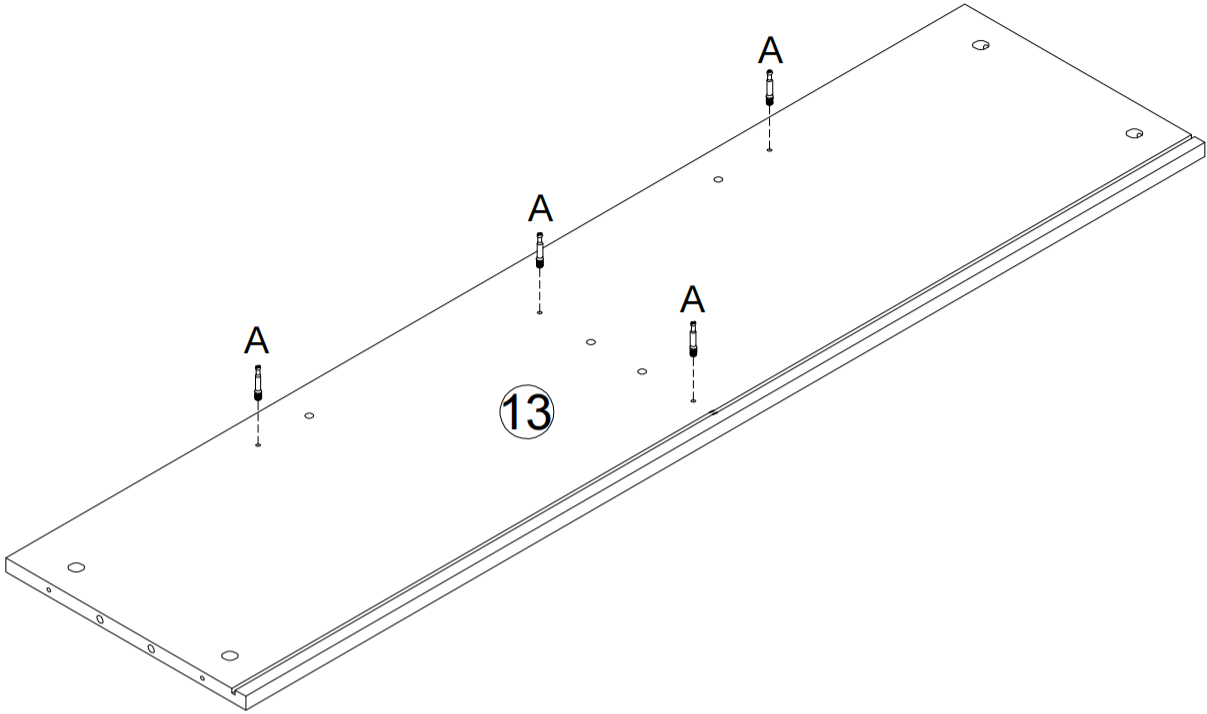
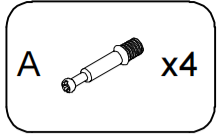
180°



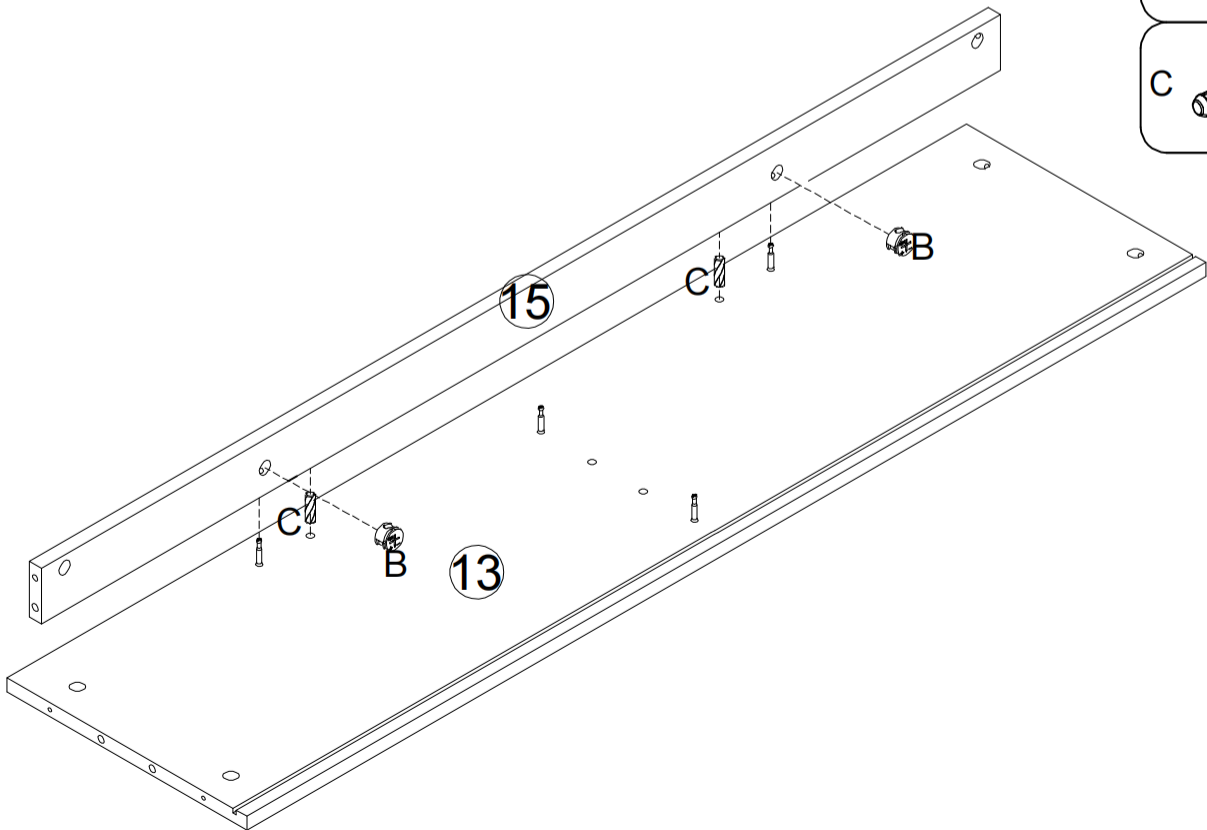
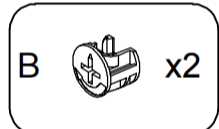
- CR  x1
- CL  x1
- F  x4



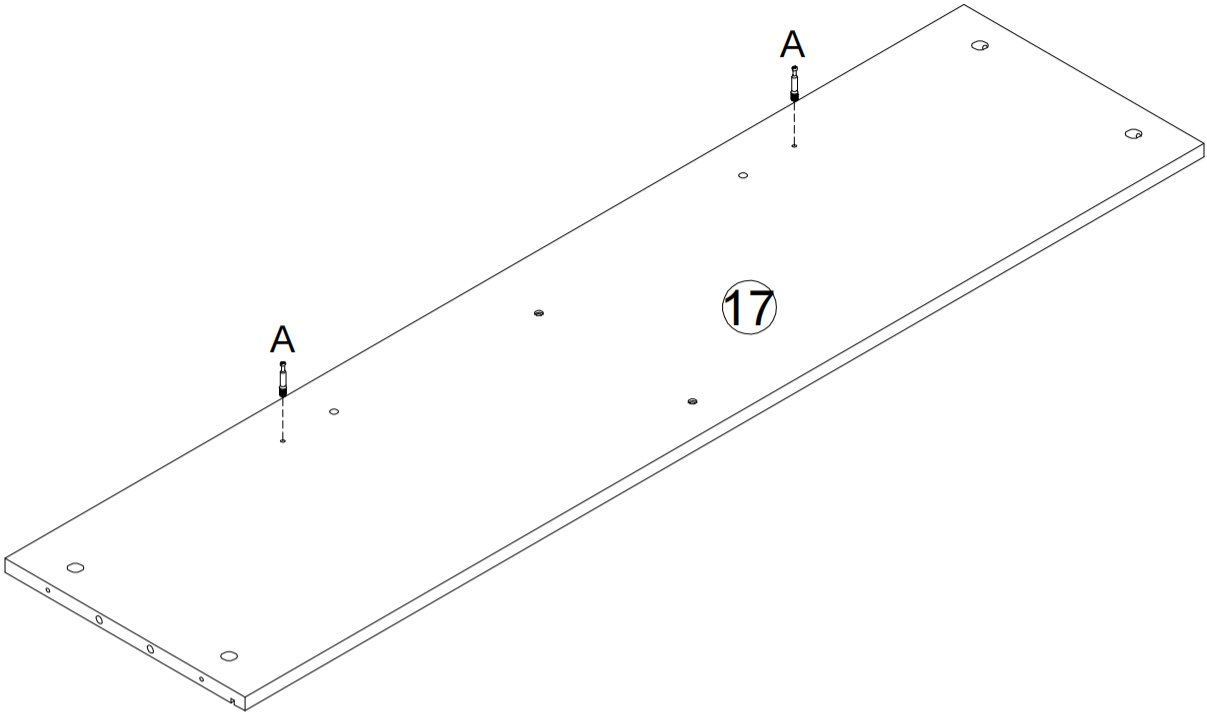
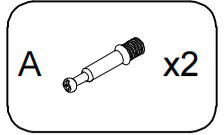
13



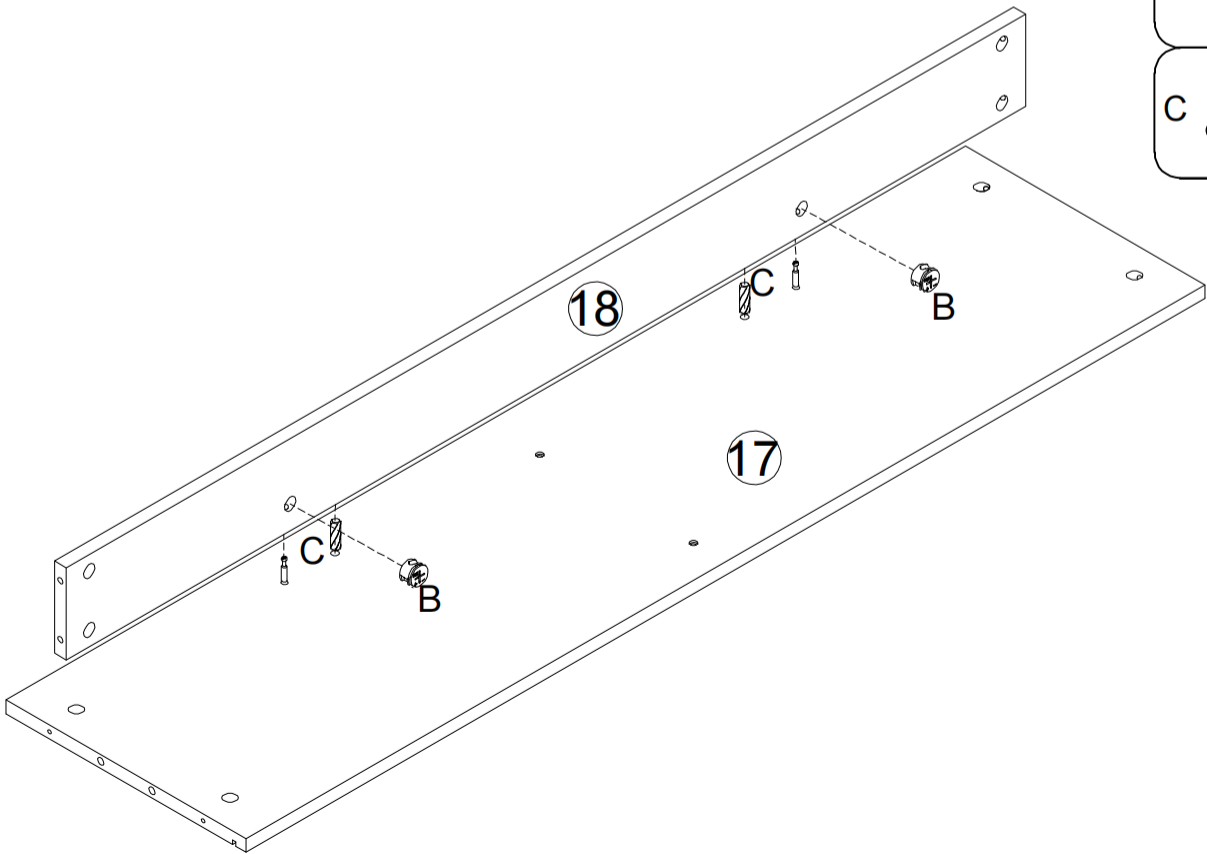
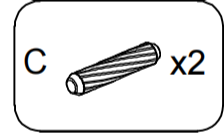
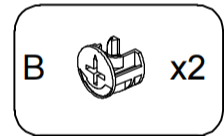
14



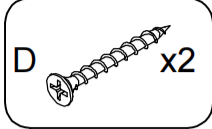
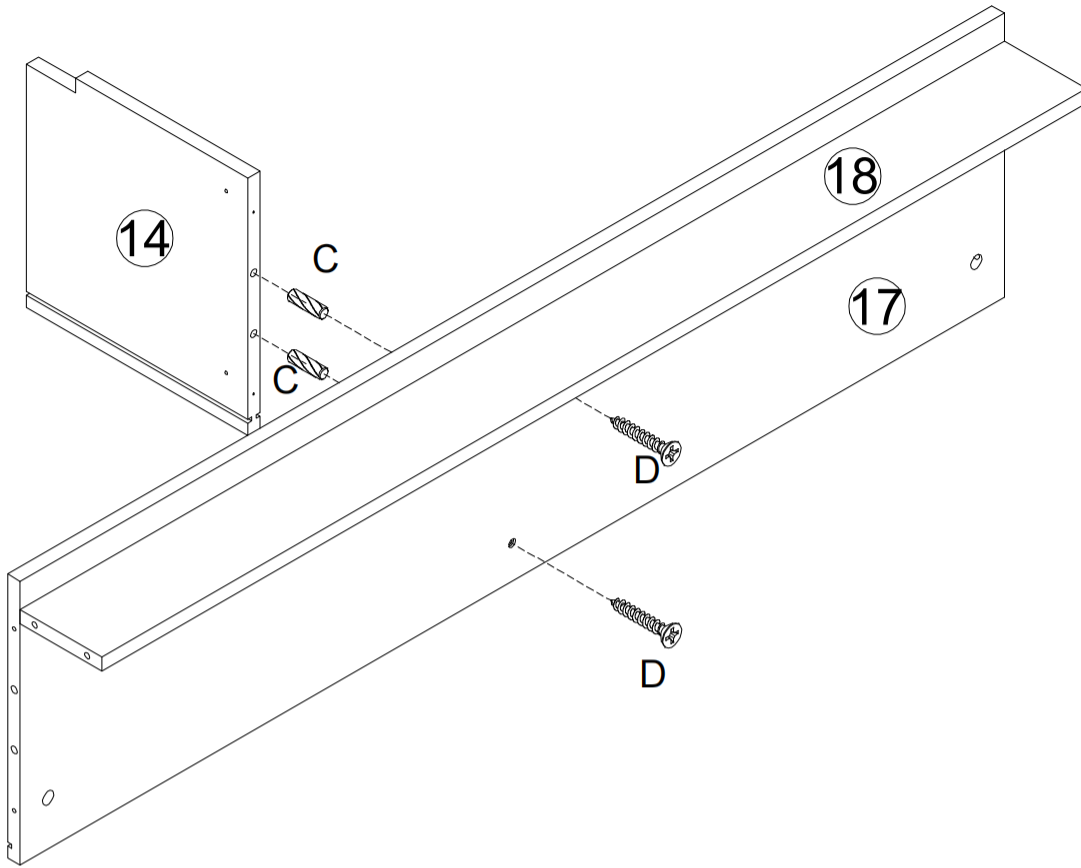
15



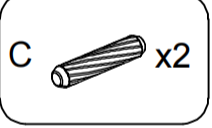
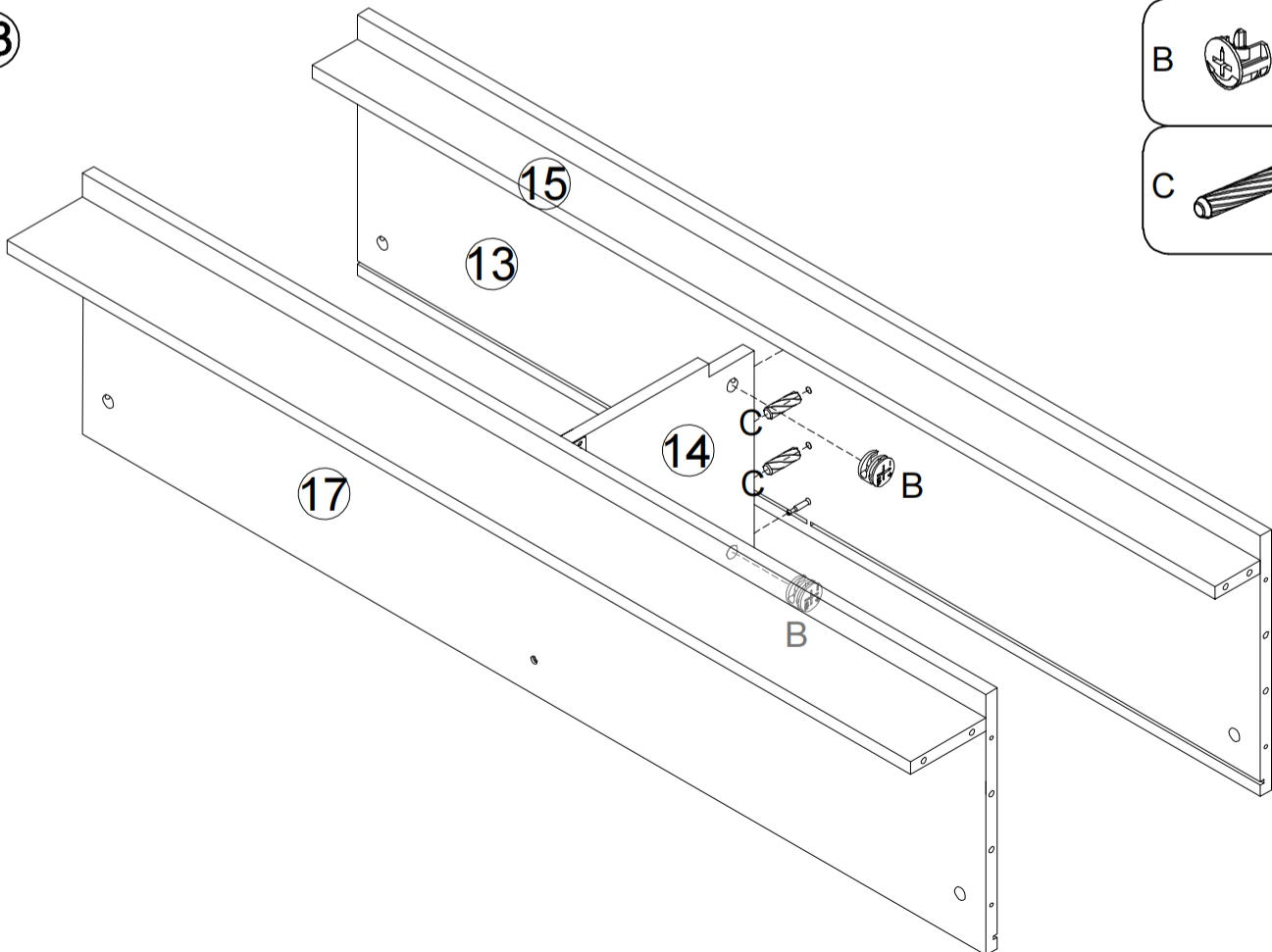
16



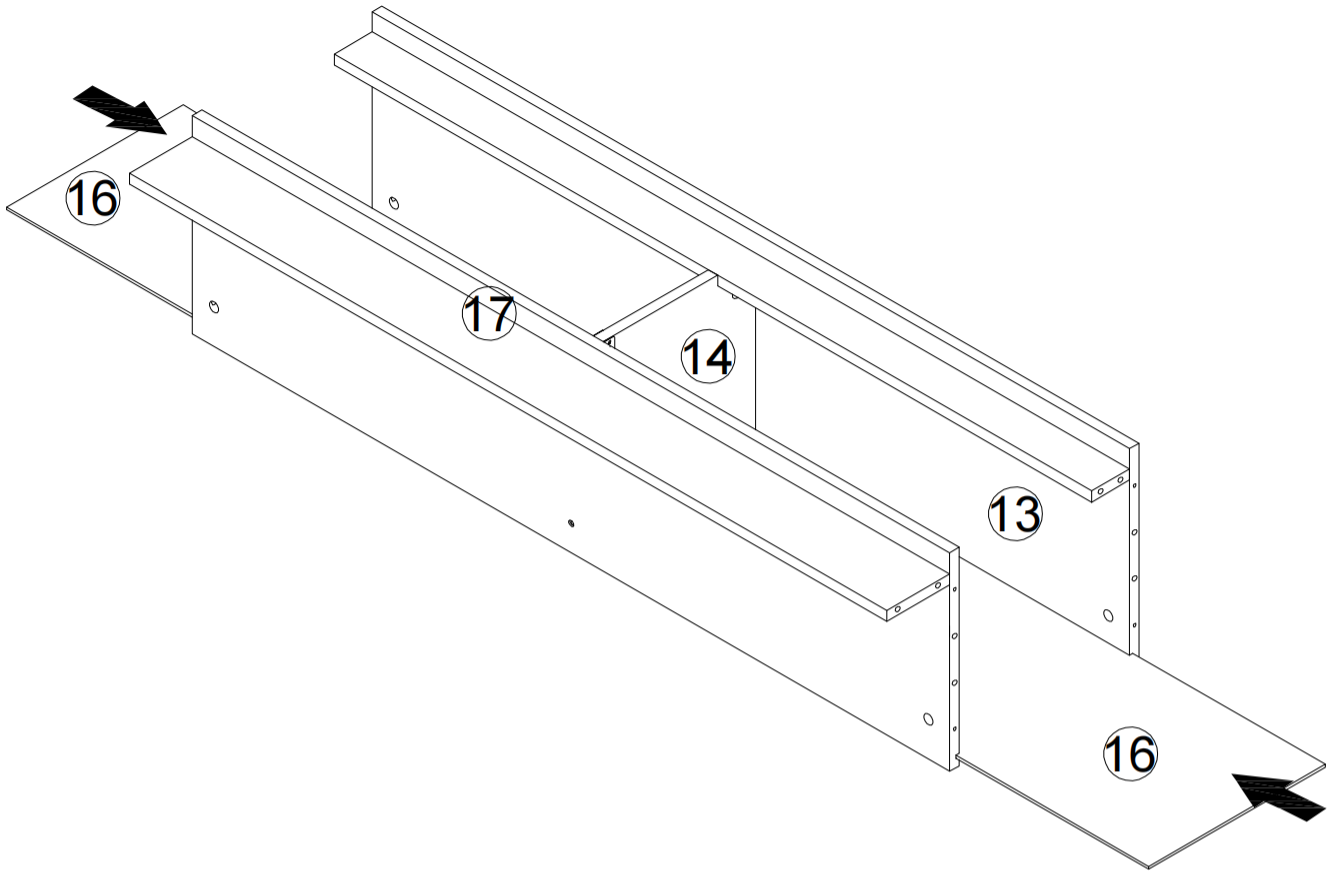
17



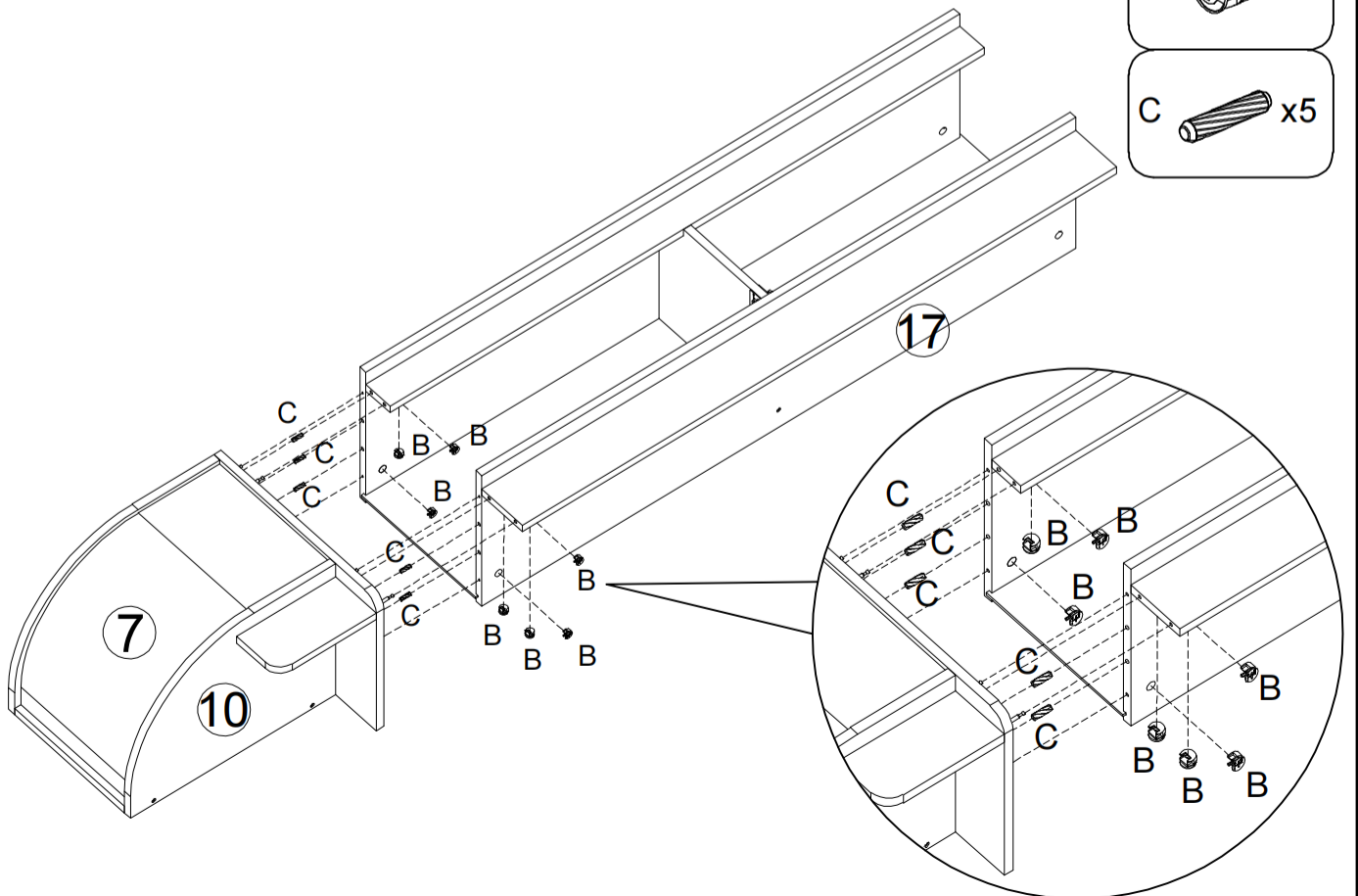
18



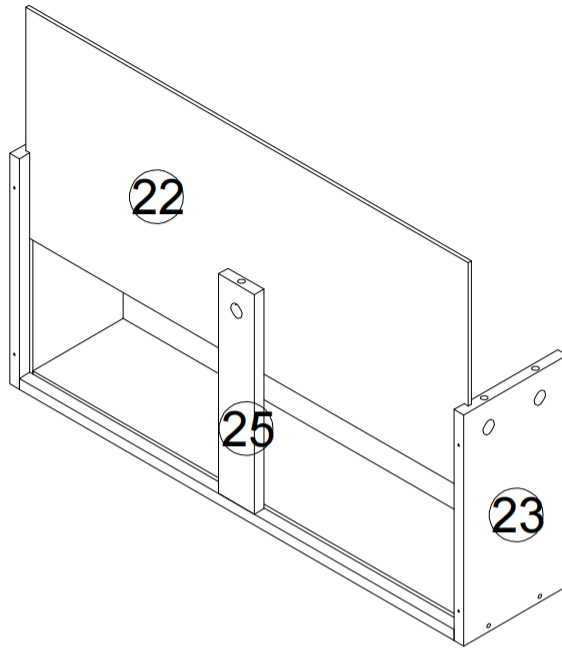
19



20

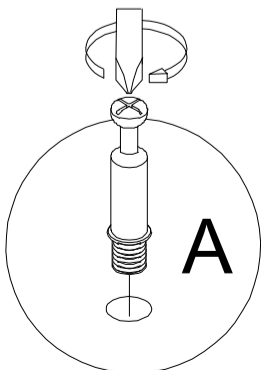
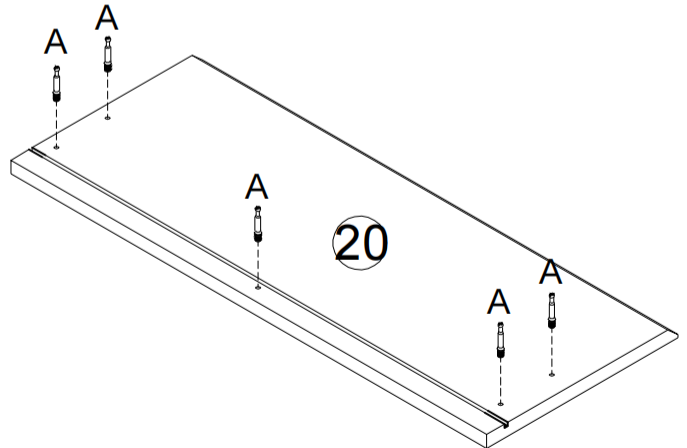
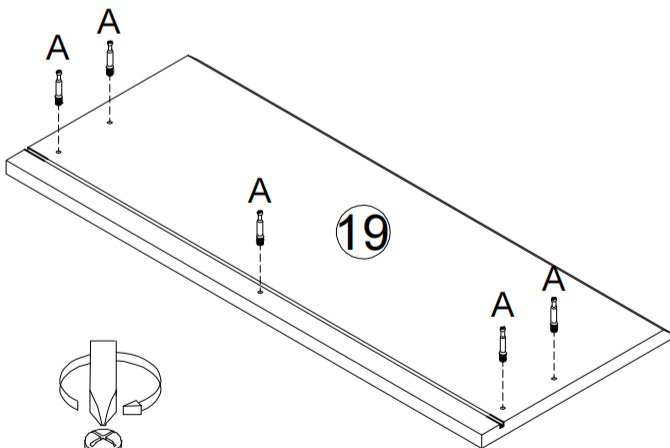
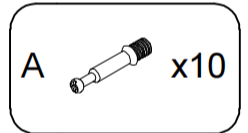


23




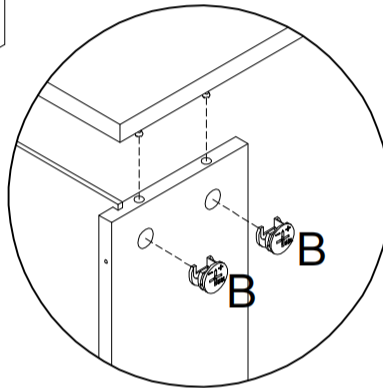
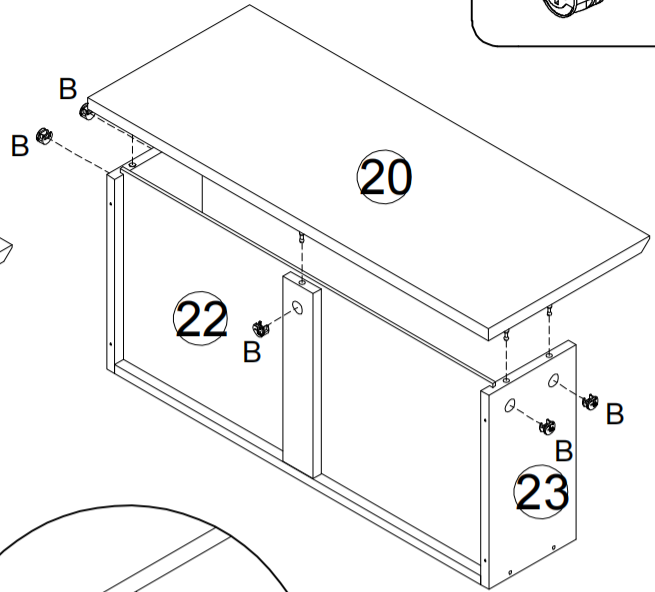
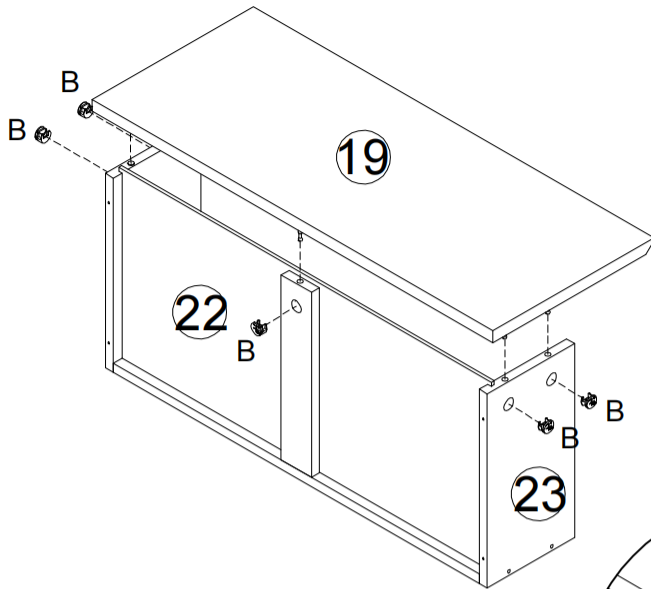
x2

24





25

B  x10

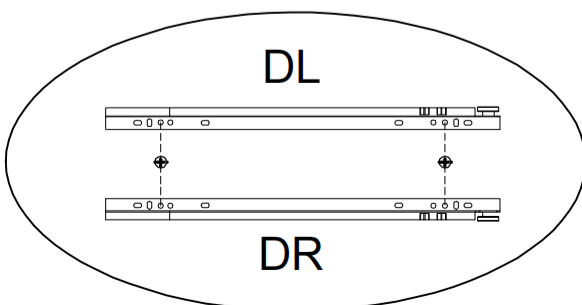
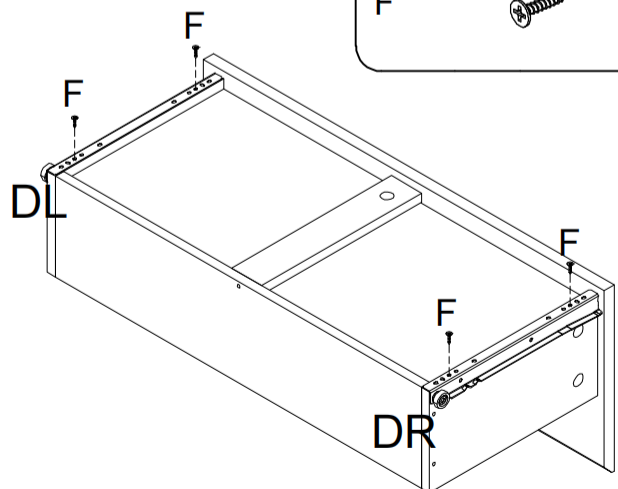
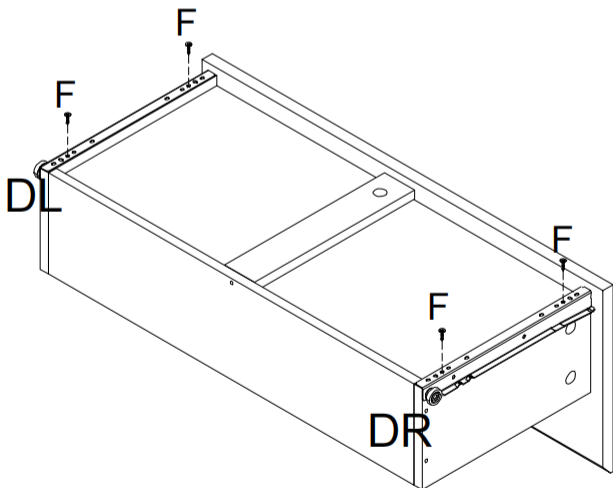


26

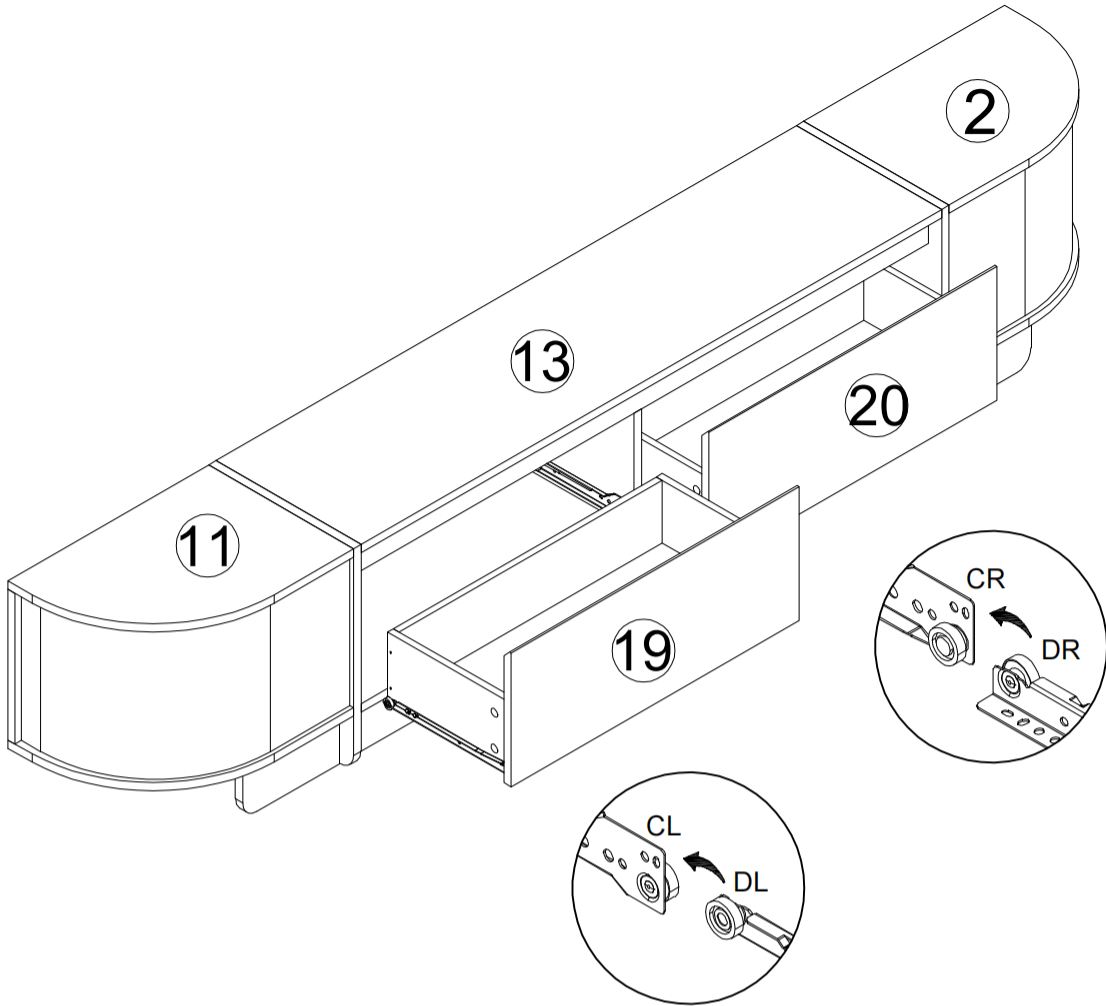
DR  x2

DL  x2

F  x8



27



28

