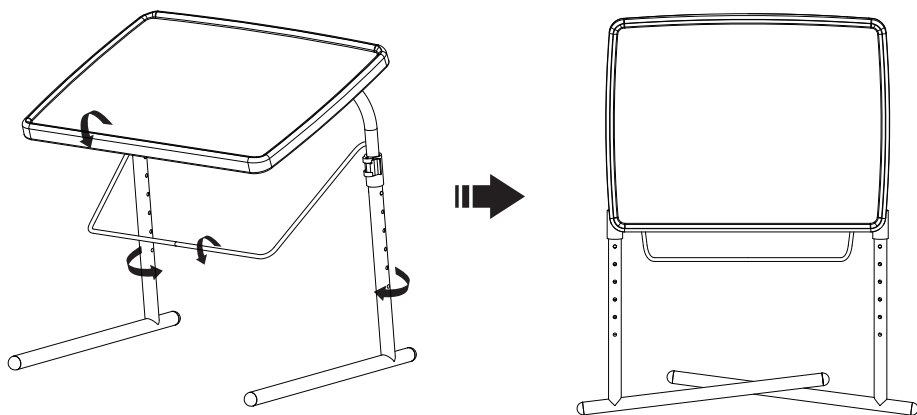
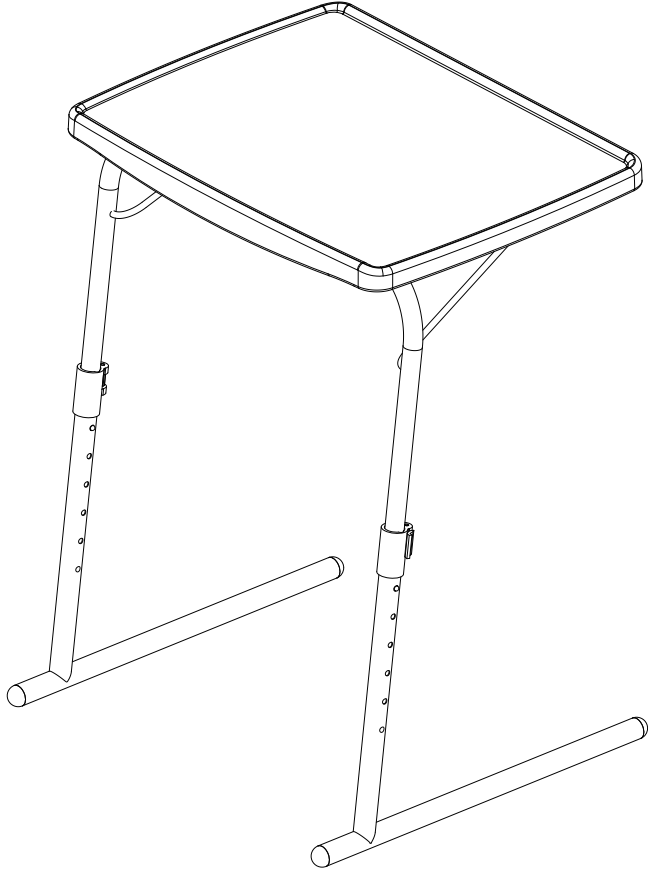


3. Fold For Easy Storage



Foldable computer table with 6 gear lift

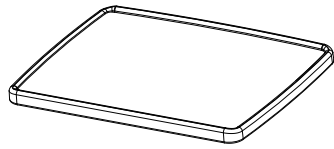


**CAUTION!**

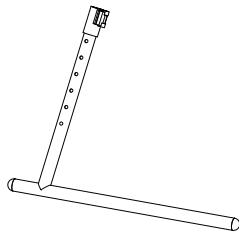
THE MANUFACTURER SHALL NOT BE RESPONSIBLE FOR ANY INJURIES CAUSED BY USING HNTT FOR THESE PURPOSES.

A —

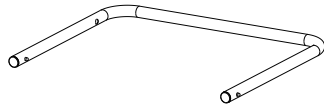
### Component Checklist



A (x1)



B (x2)



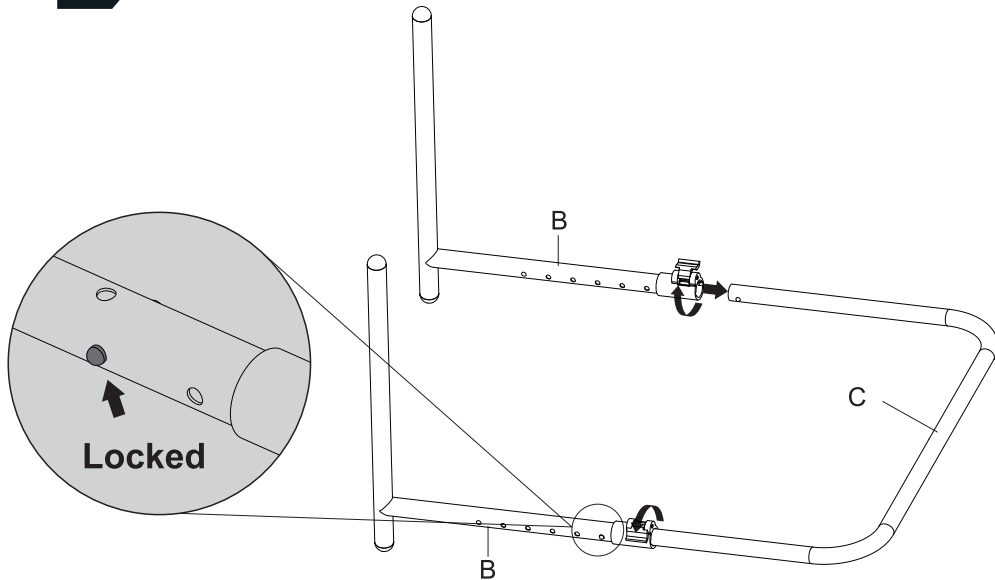
C (x1)



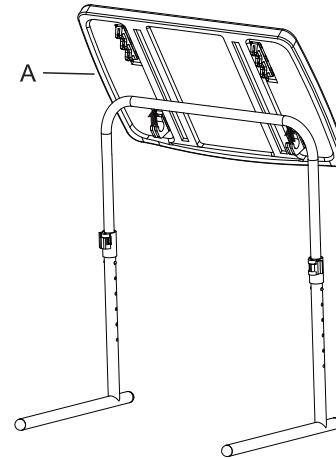
D (x1)

### 1. Assemble

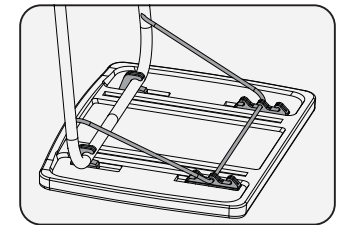
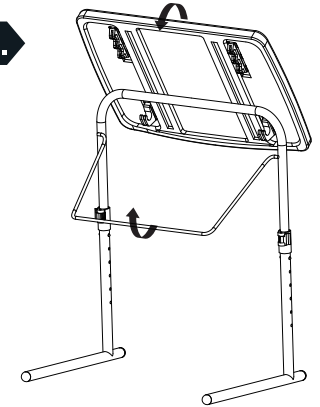
1a.



1b.



1c.



Snap solid rod into hooks

### 2. Angle & Height Adjustment

