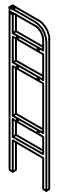
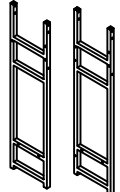
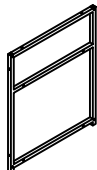
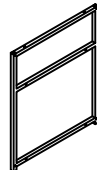


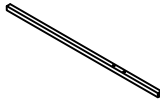
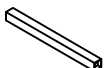
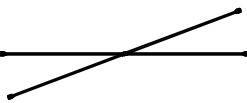
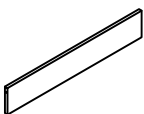
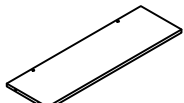


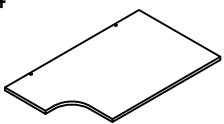
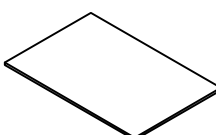
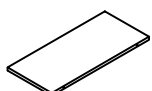








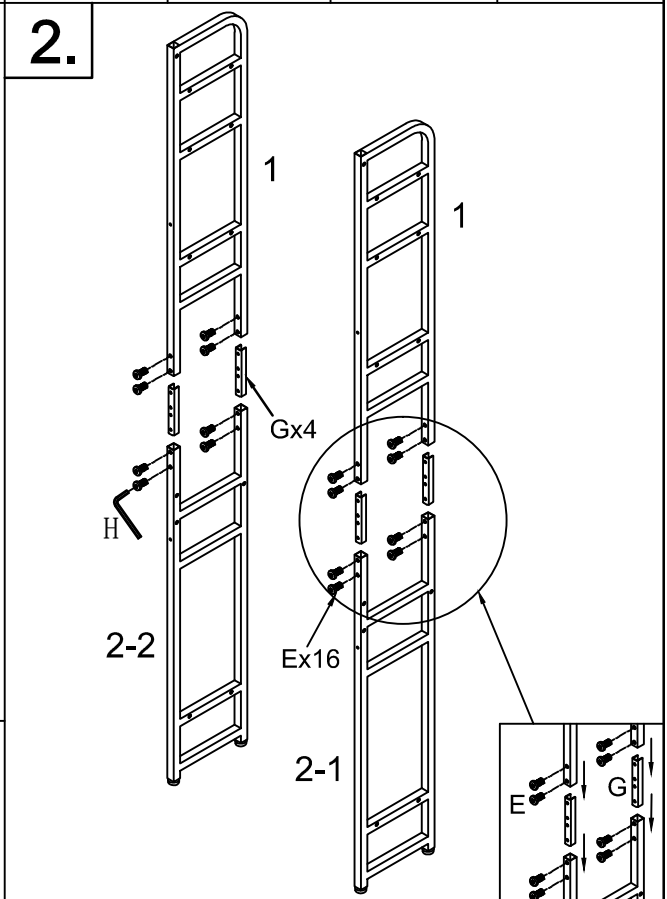
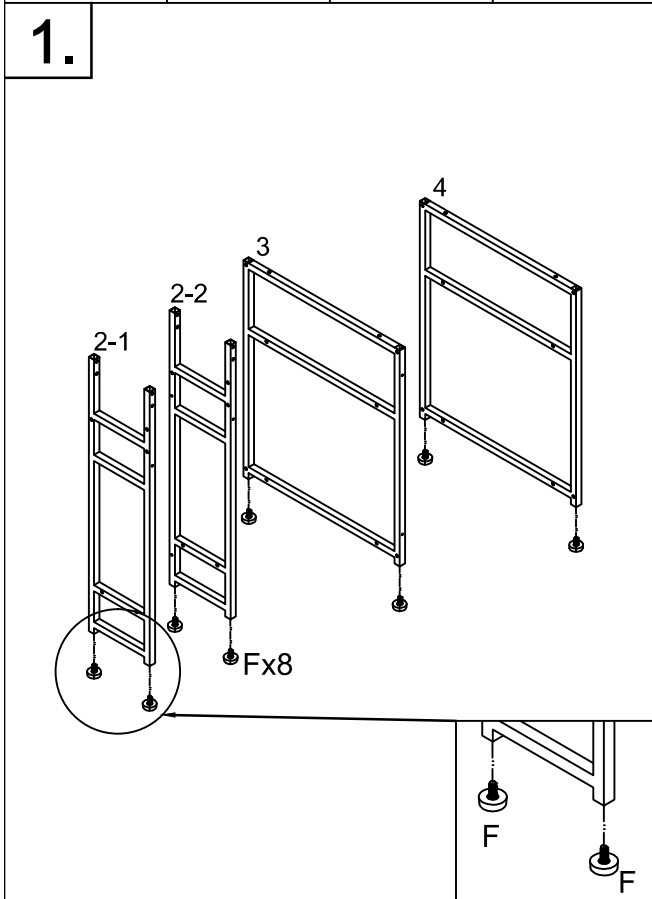
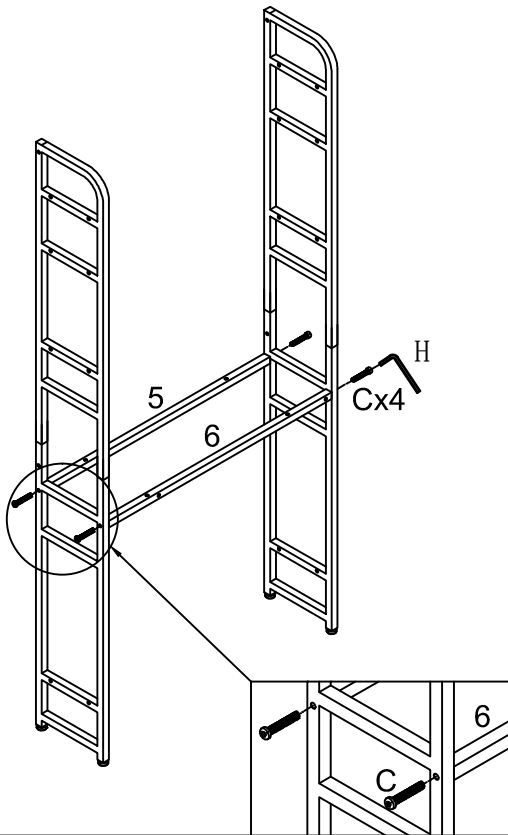


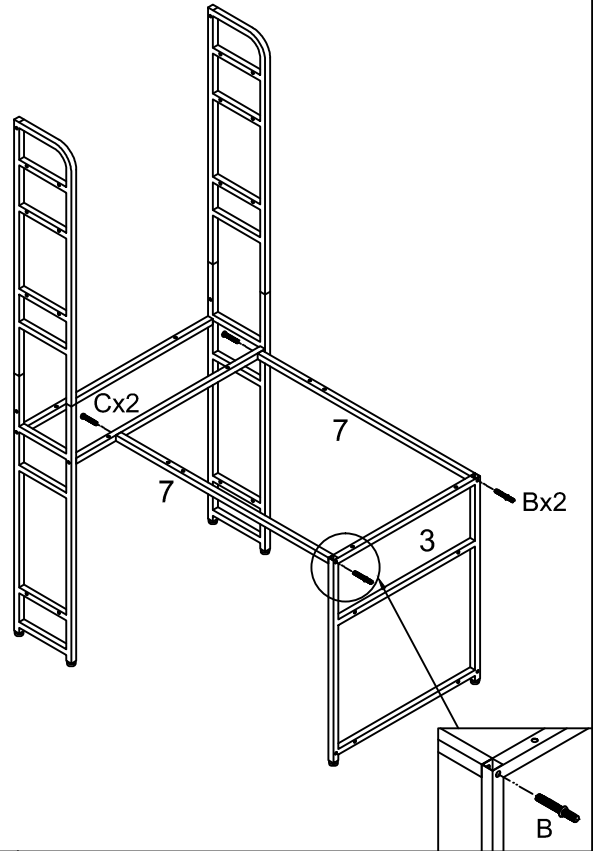
1  x2	2  2-1 2-2 x1	3  x1	4  x1				
5  x1	6  x1	7  x2	8  x4				
9  x2	10  x1	11  x1	12  x3				
13  x1	14  x1	15  x1	16  x2				
A  x32	B  x2	C  x12	D  x10	E  x24	F  x8	G  x4	H  x1



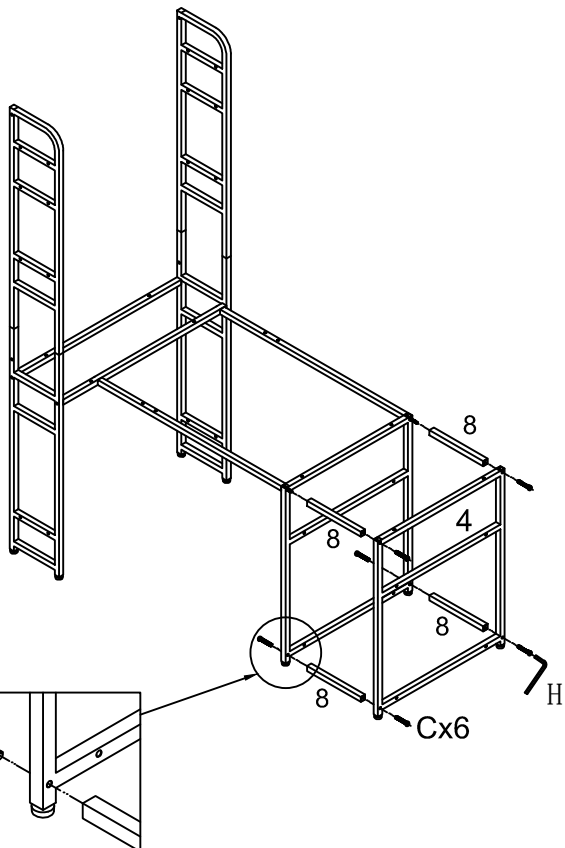
3.



4.



5.



6.

