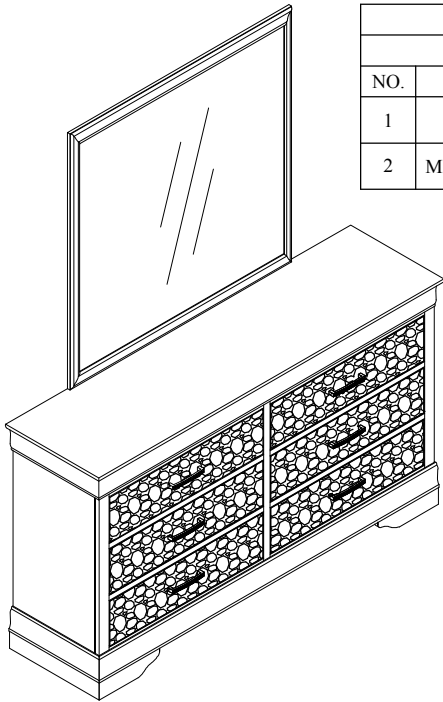


ASSEMBLY INSTRUCTIONS



(BOX 1) - BOX OF MIRROR							
PARTS LIST				HARDWARE LIST			
NO.	DESCRIPTION	SKETCH	QTY	NO.	DESCRIPTION	SKETCH	QTY
1	MIRROR		1	A	PANHEAD (M4 x 32mm)		8
2	MIRROR SUPPORT		2	B	SCREW DRIVER (*)		1

*The manufacturer does not provide item B.

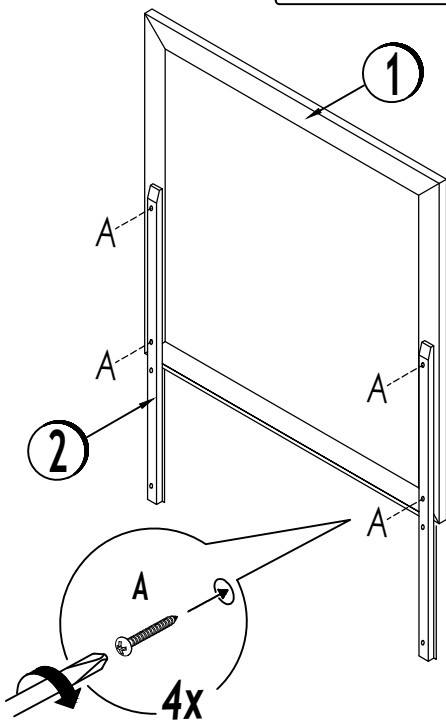
(BOX 2) - BOX OF DRESSER			
PARTS LIST			
NO.	DESCRIPTION	SKETCH	QTY
1	DRESSER		1

IMPORTANT NOTE :

- * Place all wooden parts on a clean and smooth surface such as a rug or carpet to avoid the parts from being scratched.
- * Check to be sure that you have all parts and hardware.
- * Remove all wrapping materials, including staples & packing straps before you start to assemble.
- * Do not tighten all screws/bolts until all completely assembled.
- * Keep all hardware parts out of reach of children.

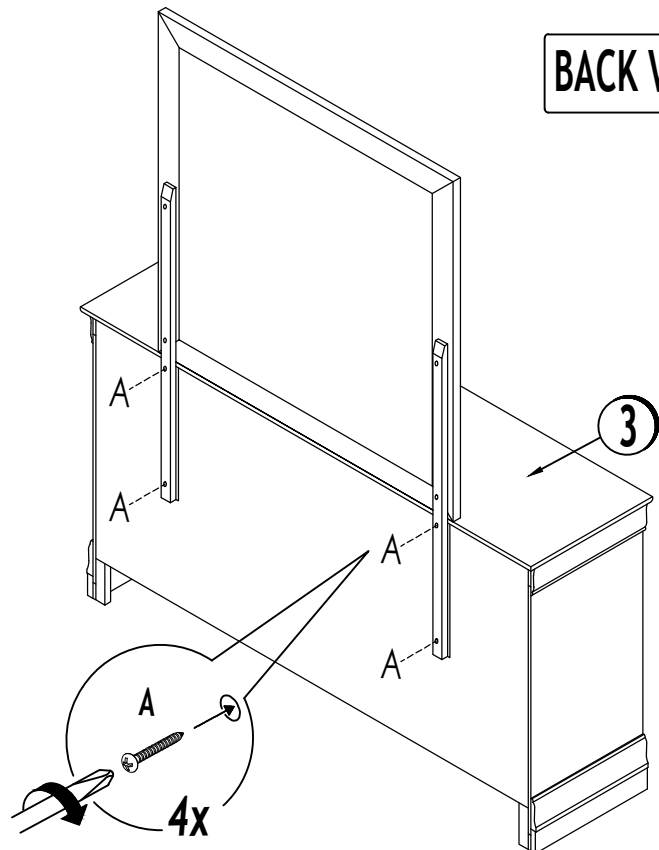
STEP 1

BACK VIEW



STEP 2

BACK VIEW



THE ANTI TIPPING HARDWARE IS LOCATED AT THE TOP RIGHT SIDE FRONT DRAWER OF DRESSER

THE HARDWARE IS LOCATED IN THE PACKING ITEMS