

Console Table

Assembly Instructions



Safety And Care Advice

Important – Please read these instructions fully before starting assembly.

Please check if all the components and tools listed out are received.

Please remove all fittings from the plastic bags and separate them into homologous groups.

Please keep children and animals away from the working areas; swallow small parts may cause suffocation.

Please make sure you have enough space to lay out the parts before starting.

Do not stand on the product, which could cause damage.

Please assemble the product as close to its final position as possible.

Do not place furniture directly in front of radiators, fires, or any other source of heat.

The assembly will be easier with 2 people.

Please dispose of all packaging carefully and responsibly.



General care and maintenance

Please clean with a damp cloth or mild detergent, do not use bleach or abrasive cleaners.

Do not allow the spill to stay on the surface for a long time.

Do not clean with products containing the following: acetone (e.g., nail varnish remover), ammonia (e.g. bleach), or sodium hydroxide (e.g., caustic soda, drain, and oven cleaners).

If the product is accidentally exposed to the irritating liquid, rinse thoroughly with clean water.

Mats can be used to protect surfaces from moisture and heat.

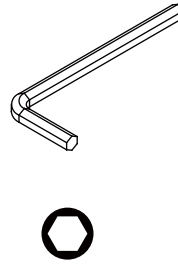
Please check whether there are missing screws in the product regularly.

The product should not be discarded with household waste, and please take it to your local authority waste disposal center.

Installation Tools

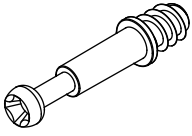
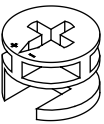
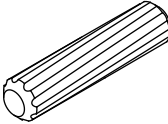
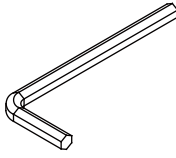
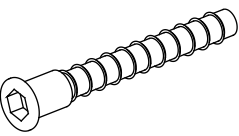
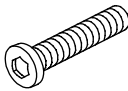
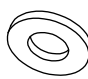

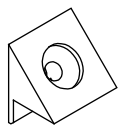
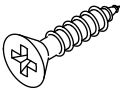
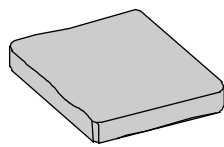
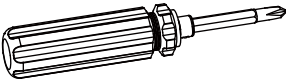
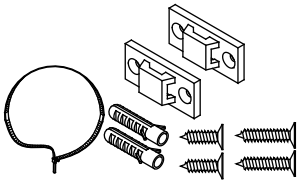


Tools Required :



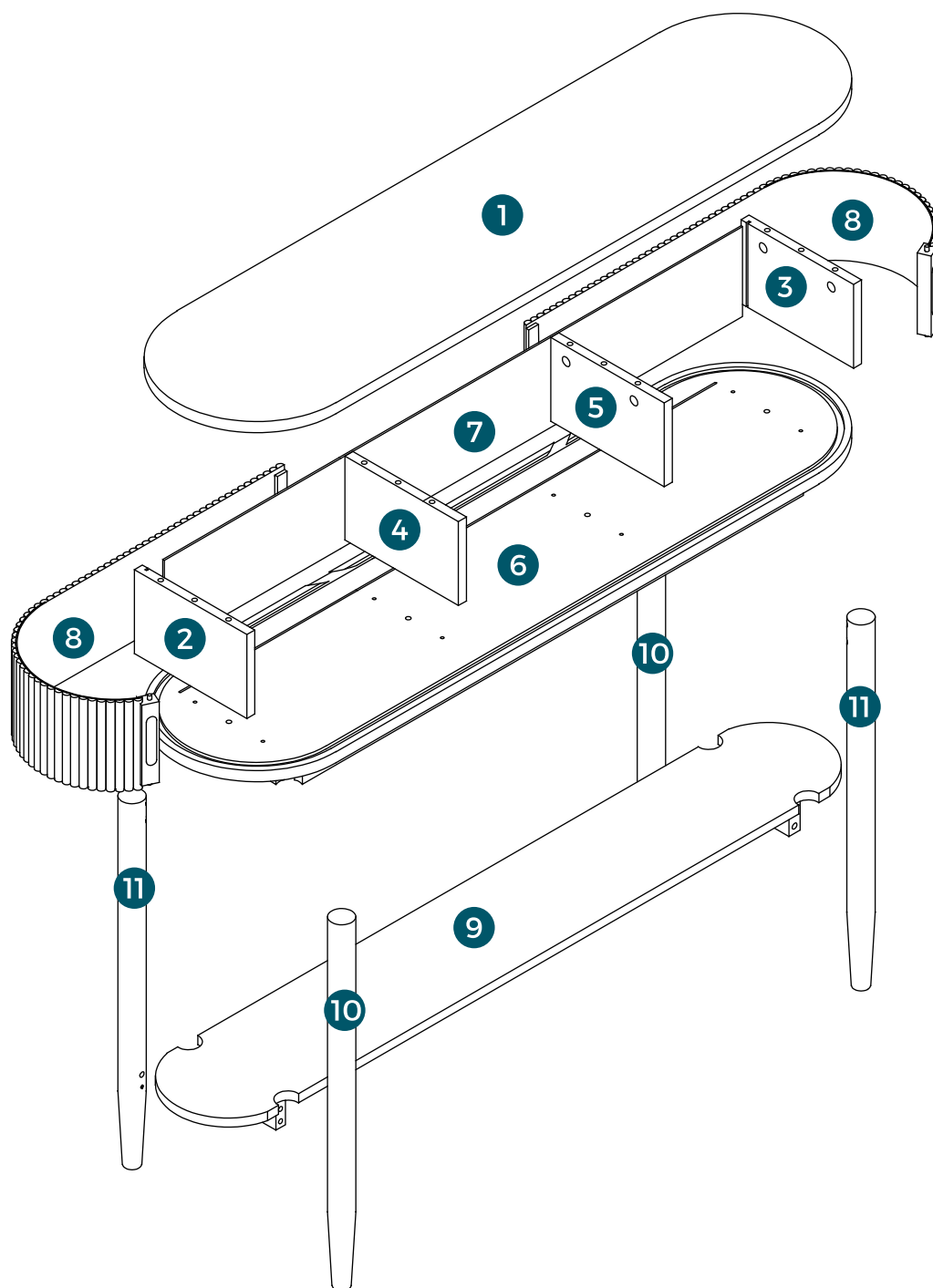
Hardware List

Please check if all the pieces listed below are received.

<p>A</p>  <p>Ø6*34 mm 12x</p>	<p>B</p>  <p>Ø15*10 mm 12x</p>	<p>C</p>  <p>Ø8*30 mm 12x</p>	<p>D</p>  <p>4 mm 1x</p>
<p>E</p>  <p>Ø6*50 mm 8x</p>	<p>F</p>  <p>M6*50 mm 8x</p>	<p>G</p>  <p>M6 8x</p>	<p>H</p>  <p>6 mm 8x</p>
<p>J</p>  <p>8x</p>	<p>K</p>  <p>8x</p>	<p>L</p>  <p>1x</p>	<p>M</p>  <p>1x</p>
<p>N</p>  <p>1x</p>			

Parts List

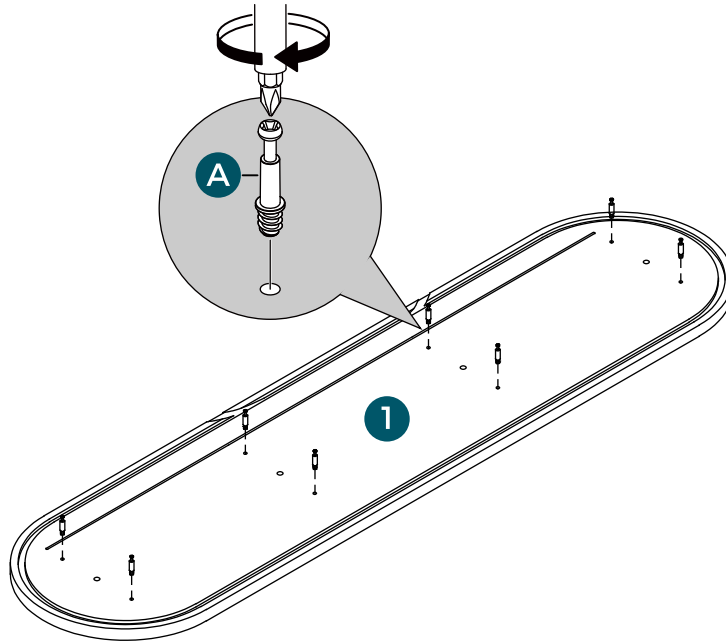
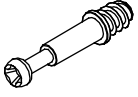
Please check if all the pieces listed below are received.



Assembly Instructions

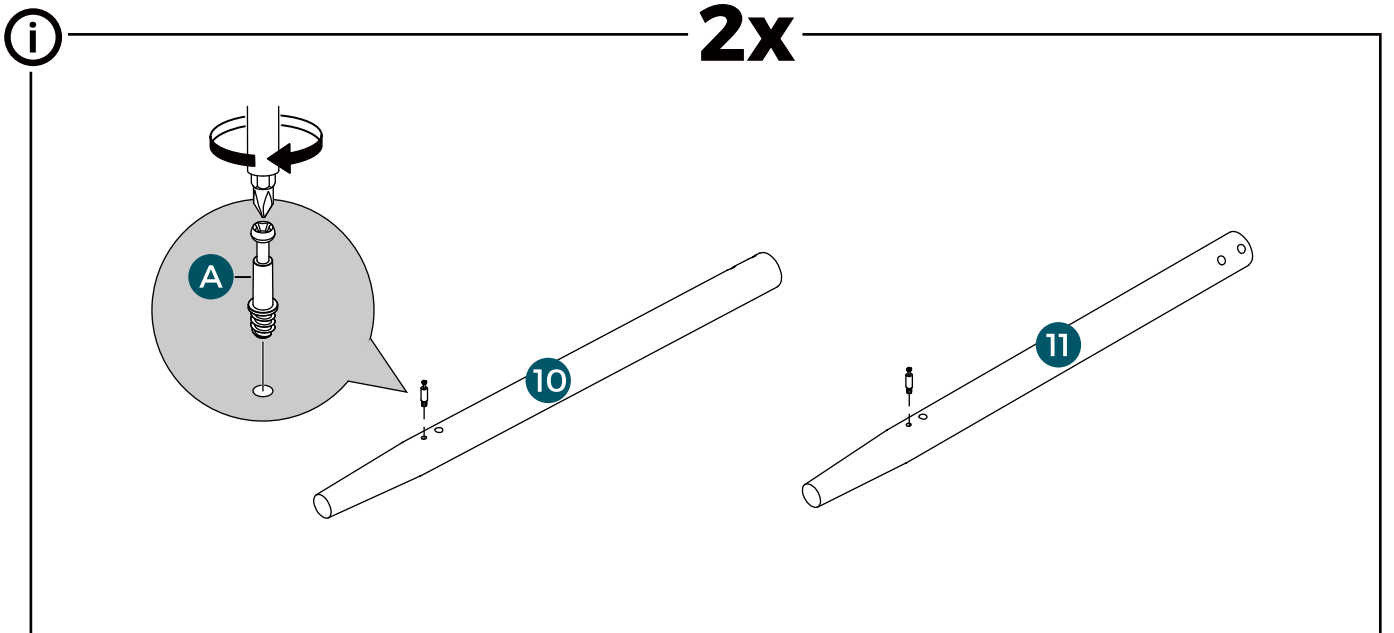
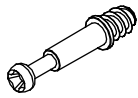
Step 1

A x 8pcs



Step 2

A x 4pcs



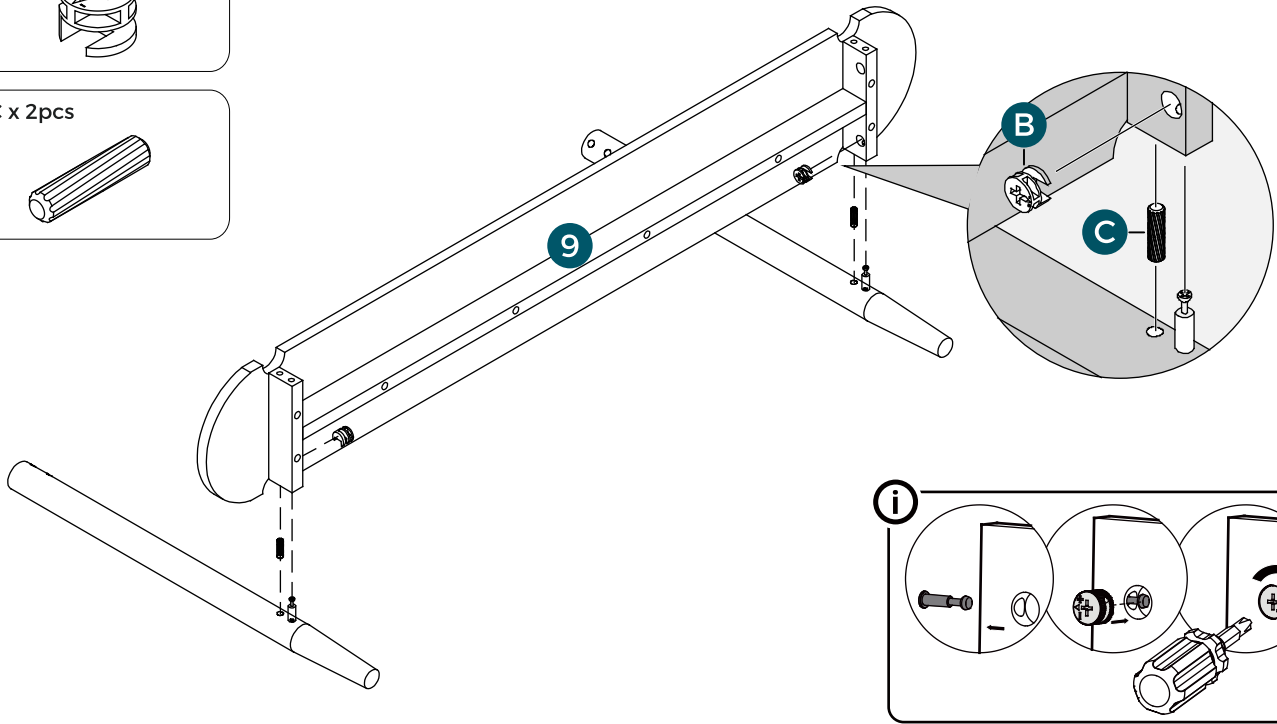
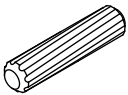
Assembly Instructions

Step 3

B x 2pcs



C x 2pcs

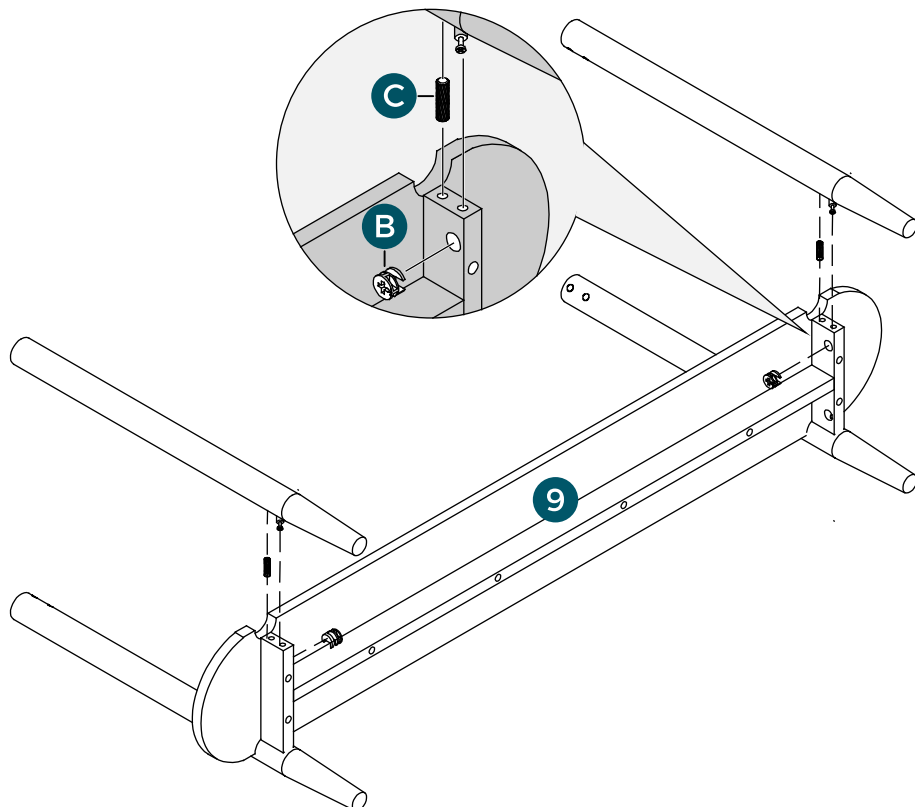
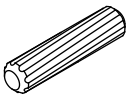


Step 4

B x 2pcs



C x 2pcs



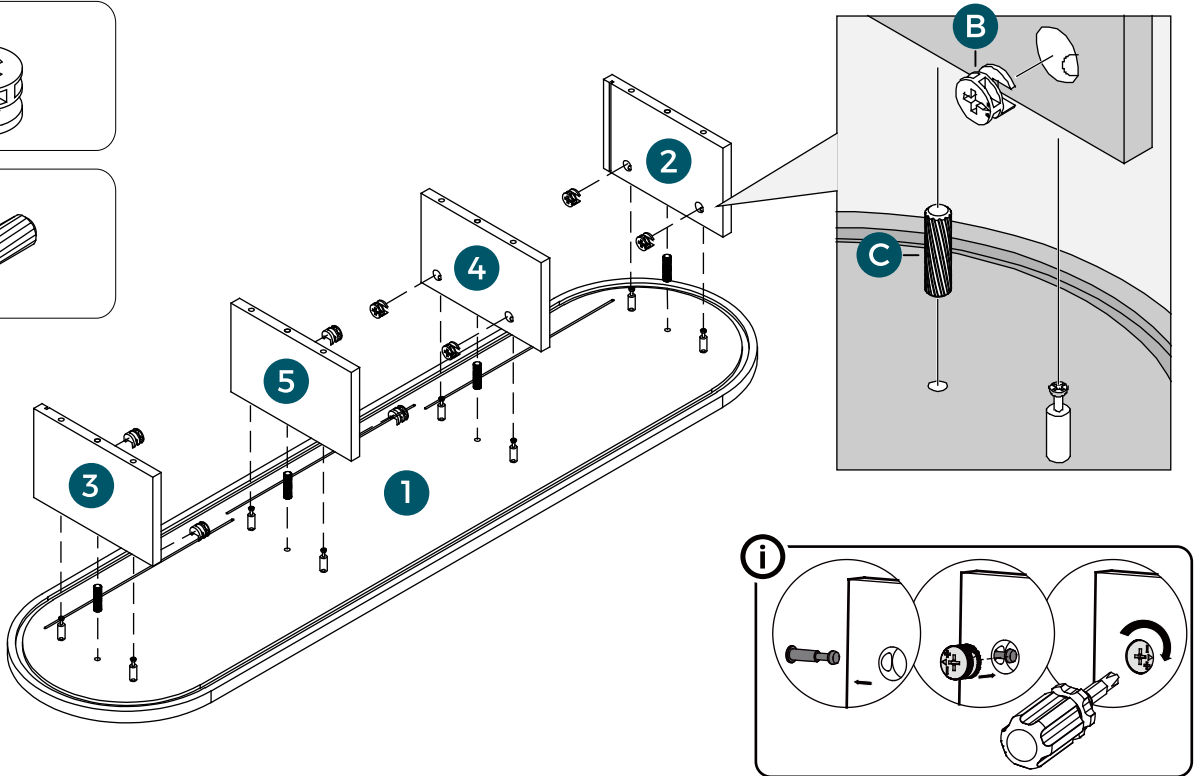
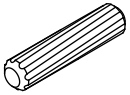
Assembly Instructions

Step 5

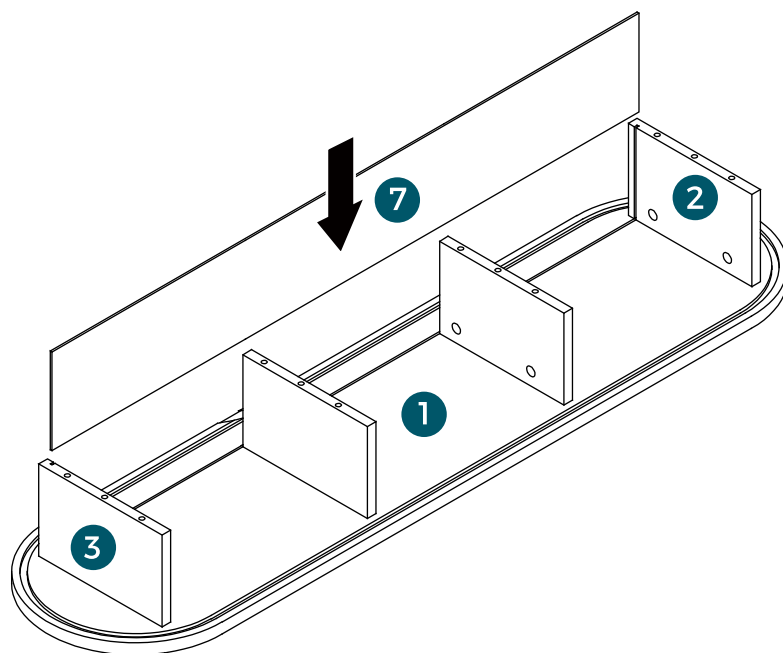
B x 8pcs



C x 4pcs



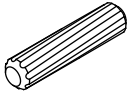
Step 6



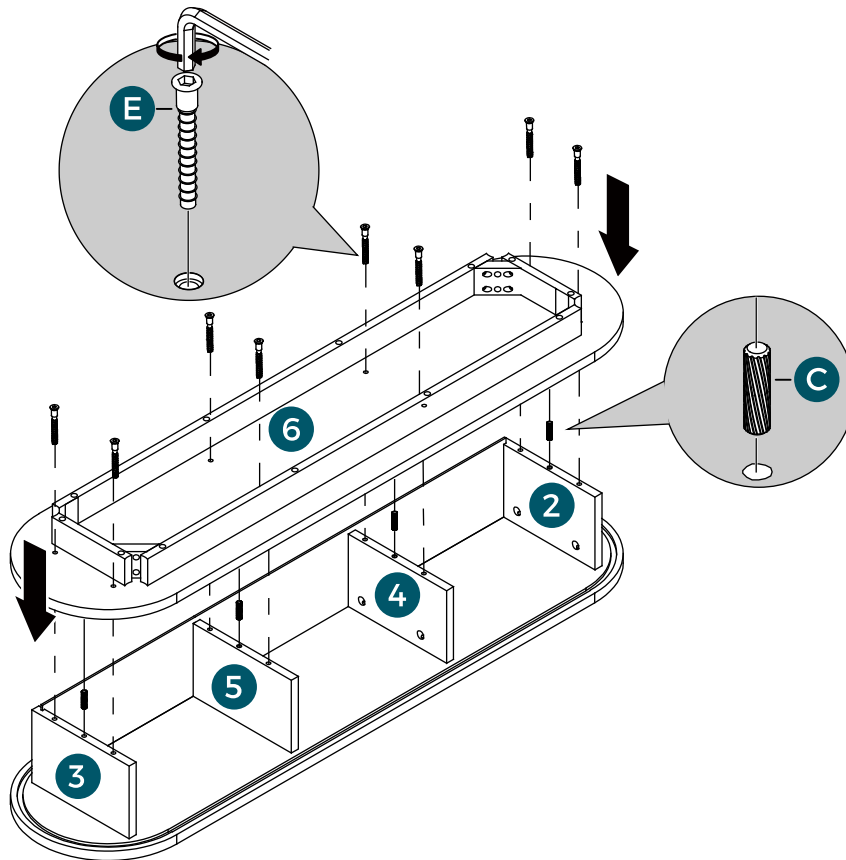
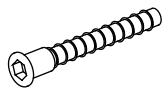
Assembly Instructions

Step 7

C x 4pcs



E x 8pcs



Step 8

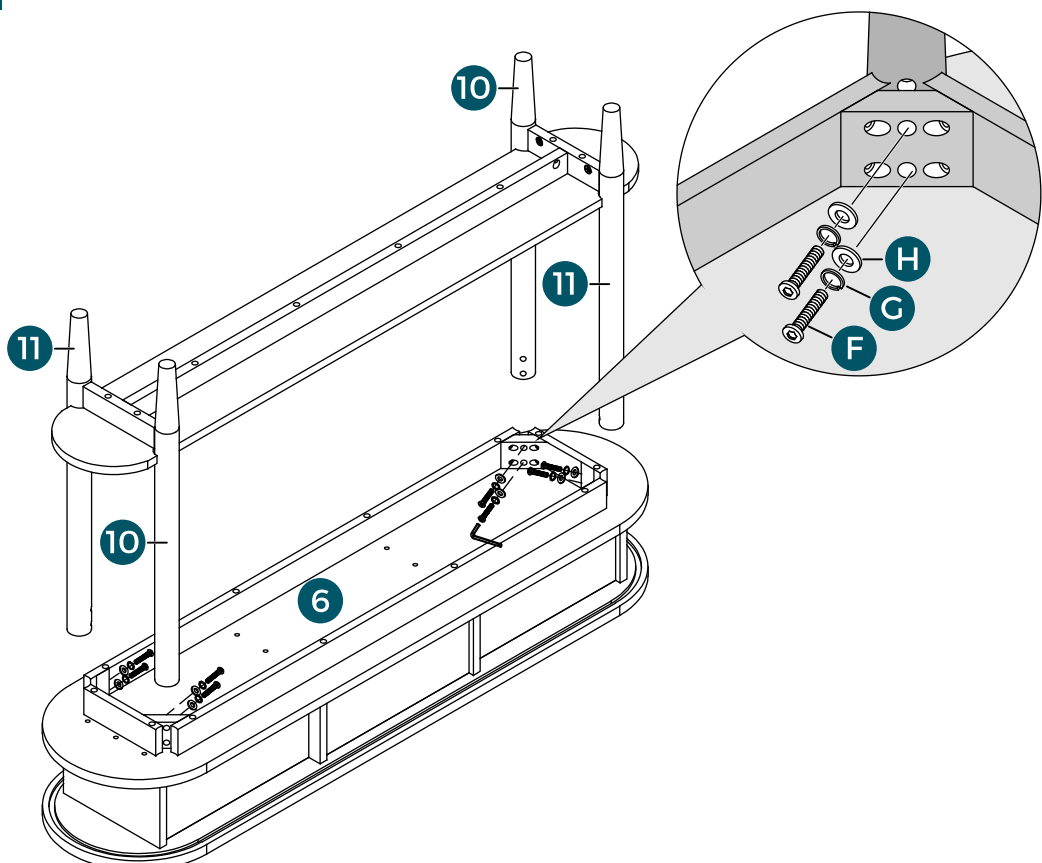
F x 8pcs



G x 8pcs



H x 8pcs



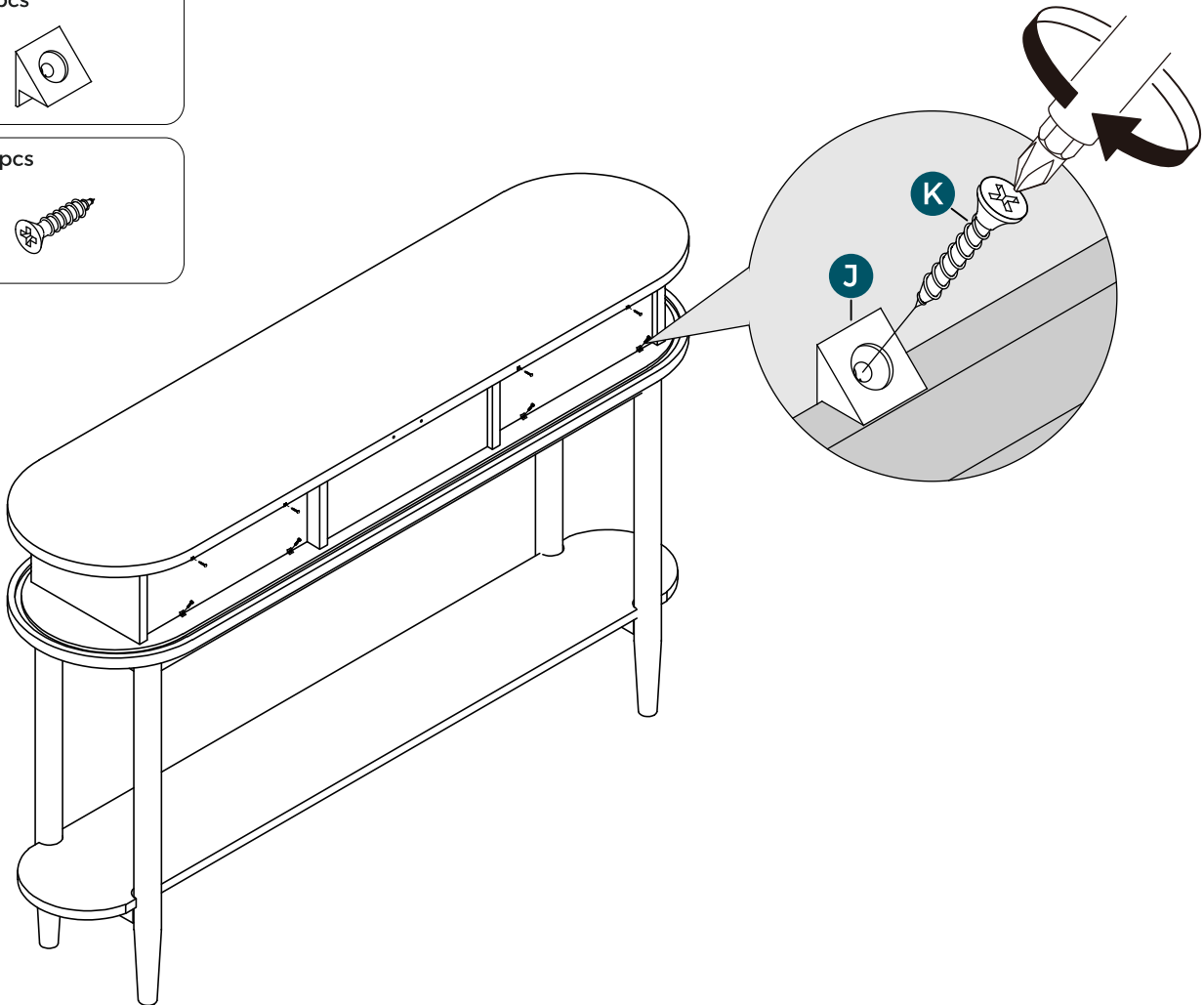
Assembly Instructions

Step 9

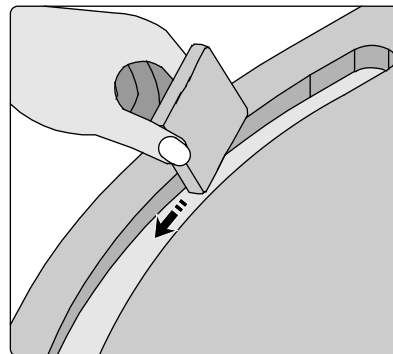
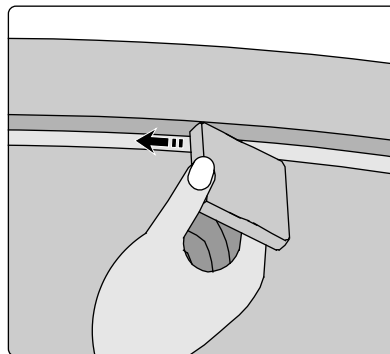
J x 8pcs



K x 8pcs

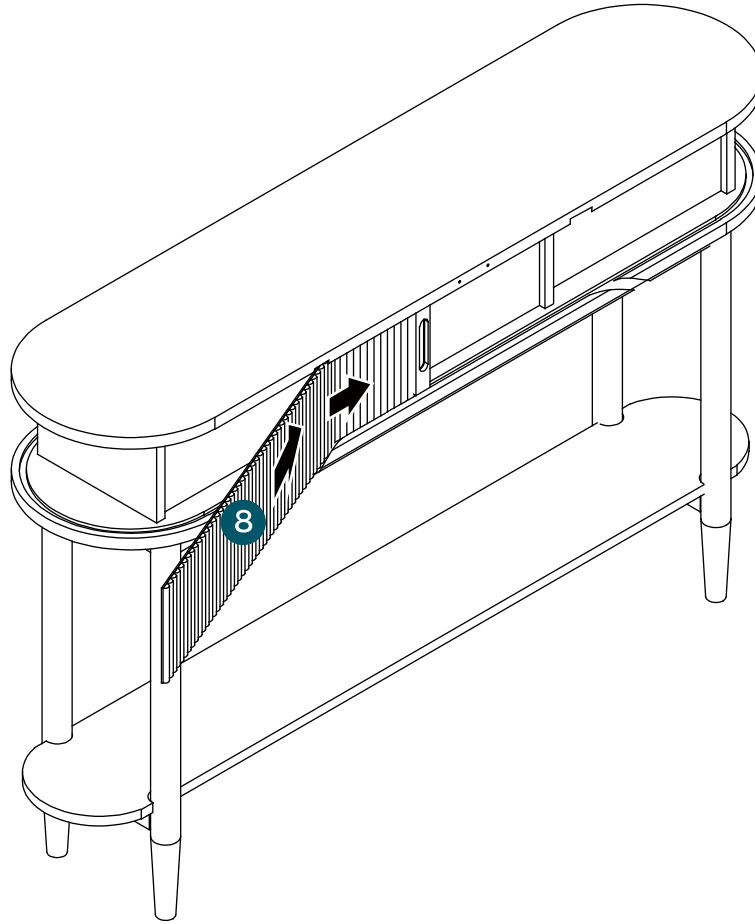


Important - Please clean the track groove with a sponge first, after that install the door panel.

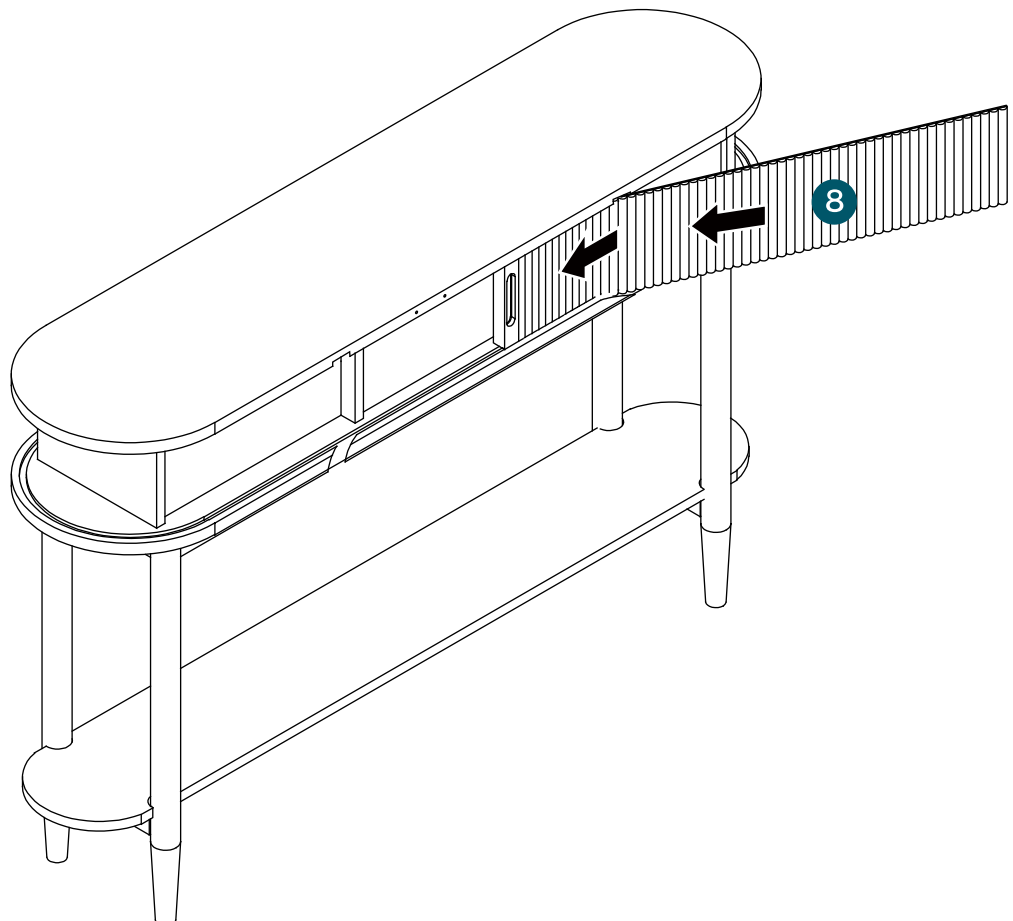


Assembly Instructions

Step 10

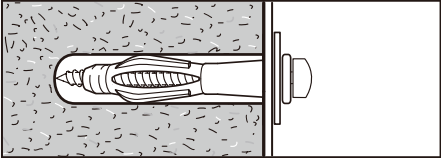
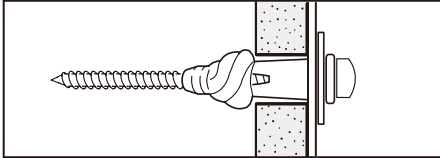
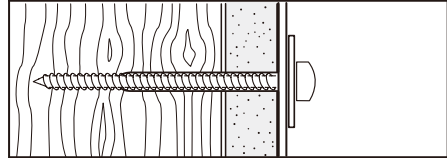



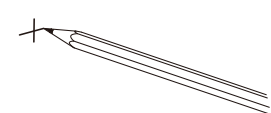
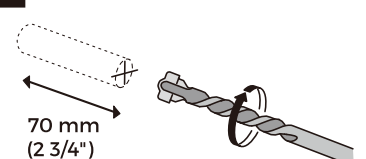
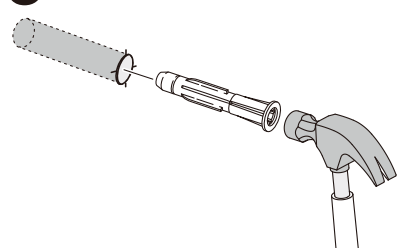
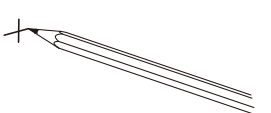
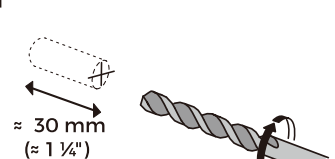
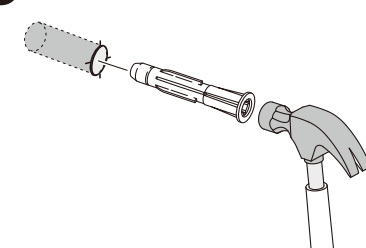
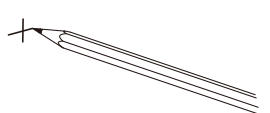
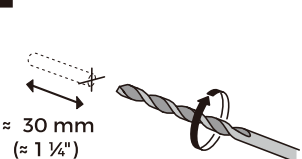


Step 11



Assembly Instructions

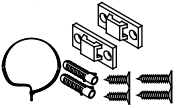
The screw and plug supplied can be used with most solid (A) and hollow(B) walls.
 For solidwood (C) use the screw without plug.
 If you are uncertain, please seek professional advice.

A	B	C
		
<p>Ø 8 mm (5/16")</p> 	<p>Ø 8 mm (5/16")</p> 	<p>Ø 3 mm (1/8")</p> 
<p>1</p>  <p>2</p>  <p>70 mm (2 3/4")</p> <p>3</p> 	<p>1</p>  <p>2</p>  <p>≈ 30 mm (≈ 1 1/4")</p> <p>3</p> 	<p>1</p>  <p>2</p>  <p>≈ 30 mm (≈ 1 1/4")</p>

Assembly Instructions

Step 12

N x 1pc



WARNING In order to prevent overturning this product must be used with the wall attachment device provided.

