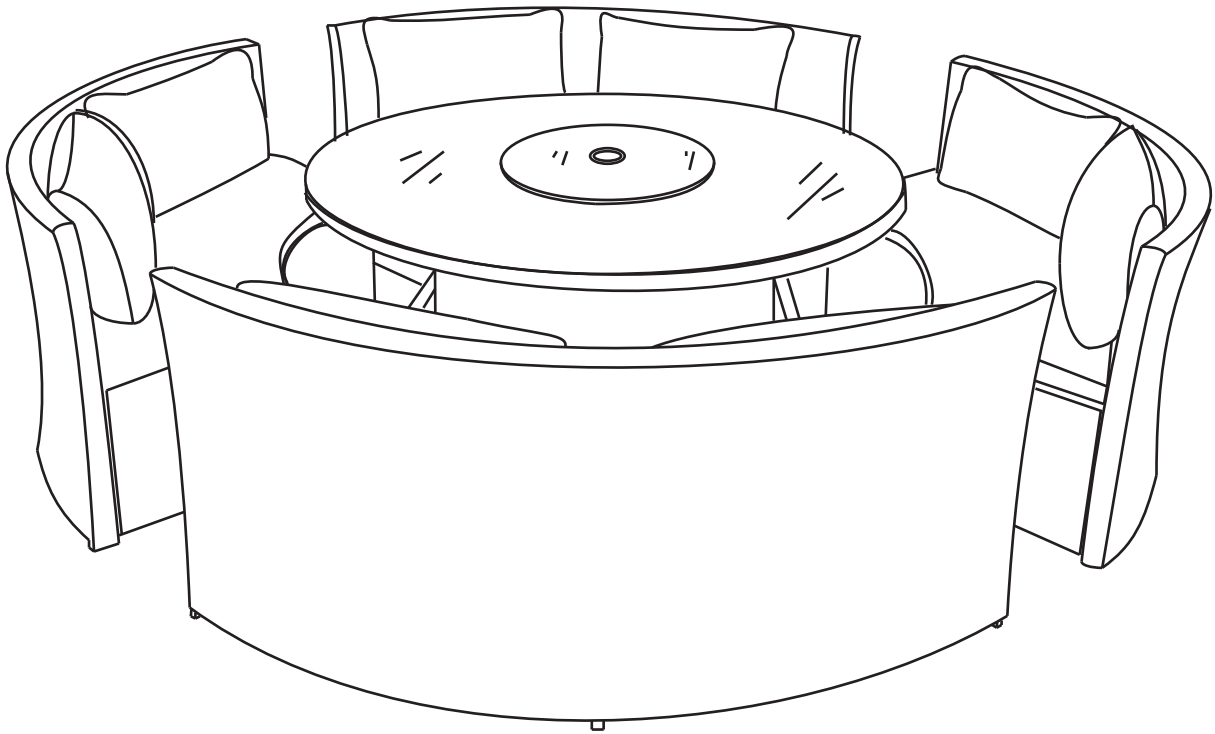


---

# ROUND SOFA DINING SET

Assembly Instructions for Casual Dining



**IMPORTANT-RETAIN FOR FUTURE REFERENCE**

# GENERAL INFORMATION

## Assembly Instructions

### WARNINGS

- For domestic and outdoor use only.
- We suggest you retain these instructions for future reference.
- Keep fittings out of children's reach and keep children well away from construction area.
- Periodically check all fittings and re-tighten as necessary.
- Do not sit or stand on your table.
- Do not stand on your chair, sofa or stool.
- This product should only be used on firm, level ground. Make sure the legs remain in contact with the ground.
- Ensure any safety locks are correctly located and locked in place for any mechanisms before use.
- Keep hands away from folding mechanisms to prevent possible entrapment or injury.
- Any folding mechanisms should only be used by competent adults.

### DO'S

- We suggest you spend a short time reading through this leaflet before you start.
- When you are ready to start, make sure that you have the right tools and plenty of space.
- Unwrap all packaging materials and place the components on a clean surface to protect it from damage. We recommend that the packaging is used to protect the surfaces during assembly.
- Carefully check that you have all the parts before starting assembly.
- Please retain the assembly tools. You will need them in the future to re-tighten the bolts, or if you want to dismantle the furniture for storage.
- Please make sure that the product is clean and dry before putting it into storage.
- We recommend the use of furniture covers to protect your furniture when not in use. During severe weather conditions, please move your furniture inside. (eg. High Winds)
- To clean your items, please use mild detergent in warm water. Rinse with clean water and dry thoroughly. Do not use abrasive cleaners, strong detergents, bleach, acid or solvents on the frame parts.
- When cleaning glass panels, use a damp cloth with washing up liquid or soft soap if necessary. Do not use washing powders or any other substances containing abrasives since these substances can scratch glass panels.

### DON'TS

- Do not stand on your chairs, sofas or stools.
- Do not sit on the arms of your chair or sofa.
- When moving furniture never drag the pieces across the floor, as this will cause damage to the joints.
- Do not use silicone based furniture polish.
- If the glass is chipped or broken, stop using the product and consult our customer service team.
- Do not place very hot or very cold items on the glass surface, unless adequately thick table mats are used to prevent such items from coming into contact with the glass.
- Do not use glass as a chopping surface.
- Do not strike the glass with hard or pointed items.

### ASSEMBLY

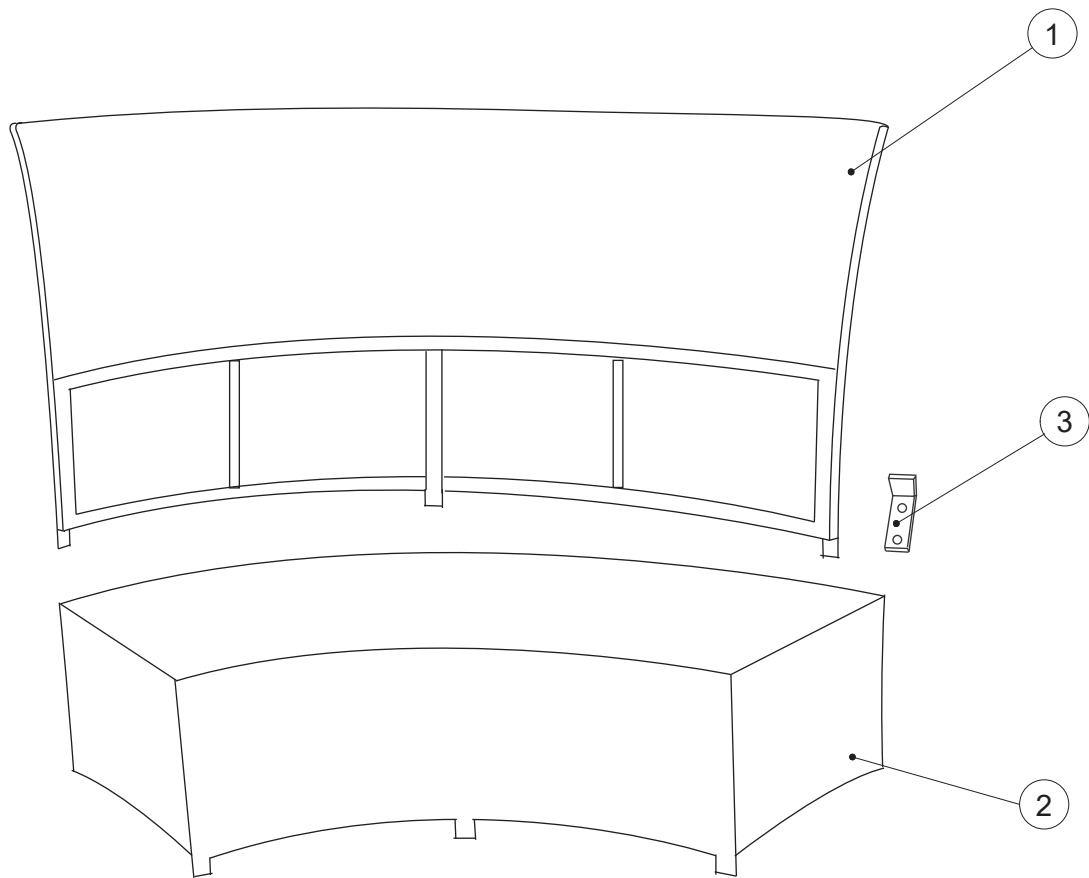
Two persons to assemble the unit and lift the unit into position.

### MISSING PARTS

If you are missing any fixtures or fittings for your product please contact our customer service team.

# ASCOT ROUND SOFA DINING SET

## Fixtures and Fittings



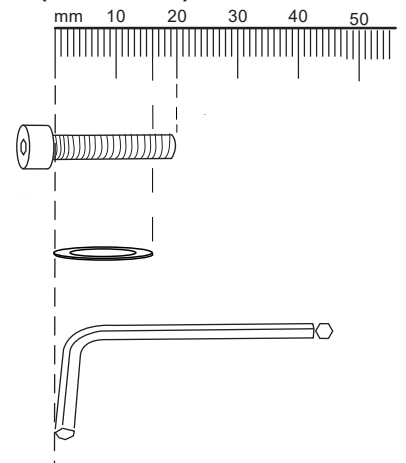
Components supplied. Please use this guide if you require replacement parts.

x4 Round Sofas

Ref	Dimensions	Visual	Qty
1	178 x 88cm		4
2	170 x 76 x 44Hcm		4
3	7 x 4 x 0.8Tcm		4

Fixtures and fittings supplied(actual size)

Ref	Dimensions	Qty
A	M6 x 20mm	24
B	∅16 X 1.0mm	24
C	30 x 115mm	4



**IMPORTANT-RETAIN FOR FUTURE REFERENCE**

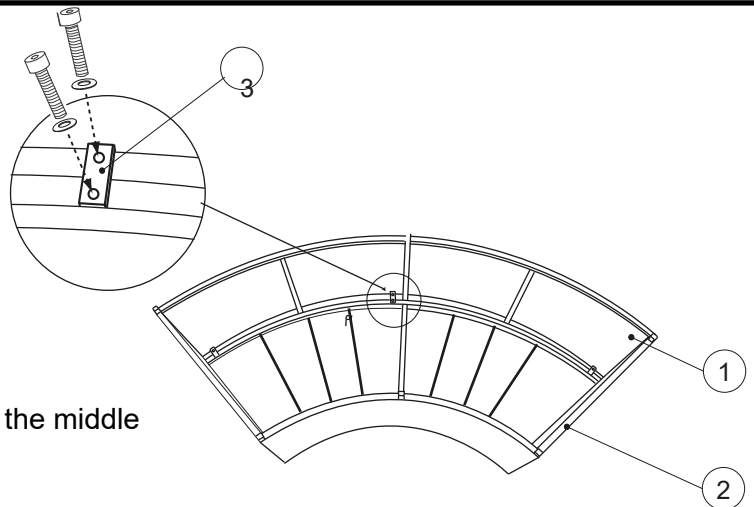
# ASCOT ROUND SOFA DINING SET

## Assembly Instructions for Sofa

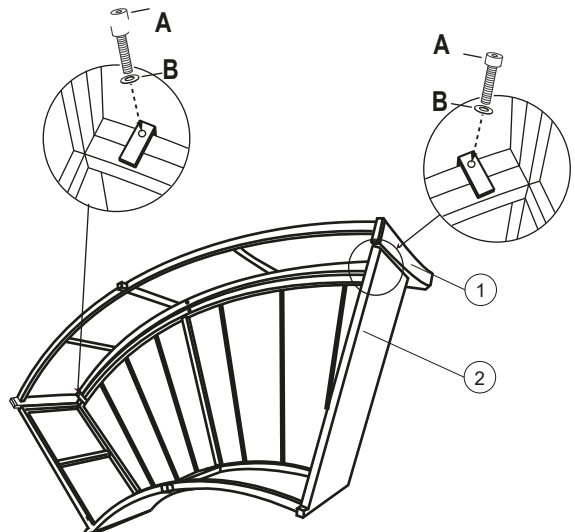
- 1 Unbox your sofa sections to begin the assembly process.

Turn your sofa base onto its side so you can get to the screw holes underneath. Due to the size of the sofa this may require two persons to assemble.

Attach your sofa base (2) to your sofa back panel (1) by screwing the bracket in the middle first, make sure this is not done up tight.

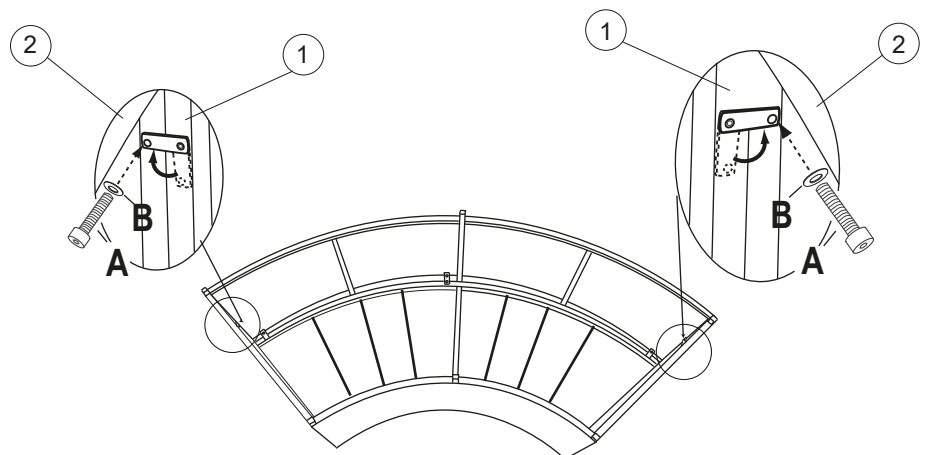


- 2 Next you need to attach the two end brackets to secure the next part of the back panel (1).



- 3 Finally you need to secure the last two brackets which secure the bottom part of the base and bottom part of the back panel together.

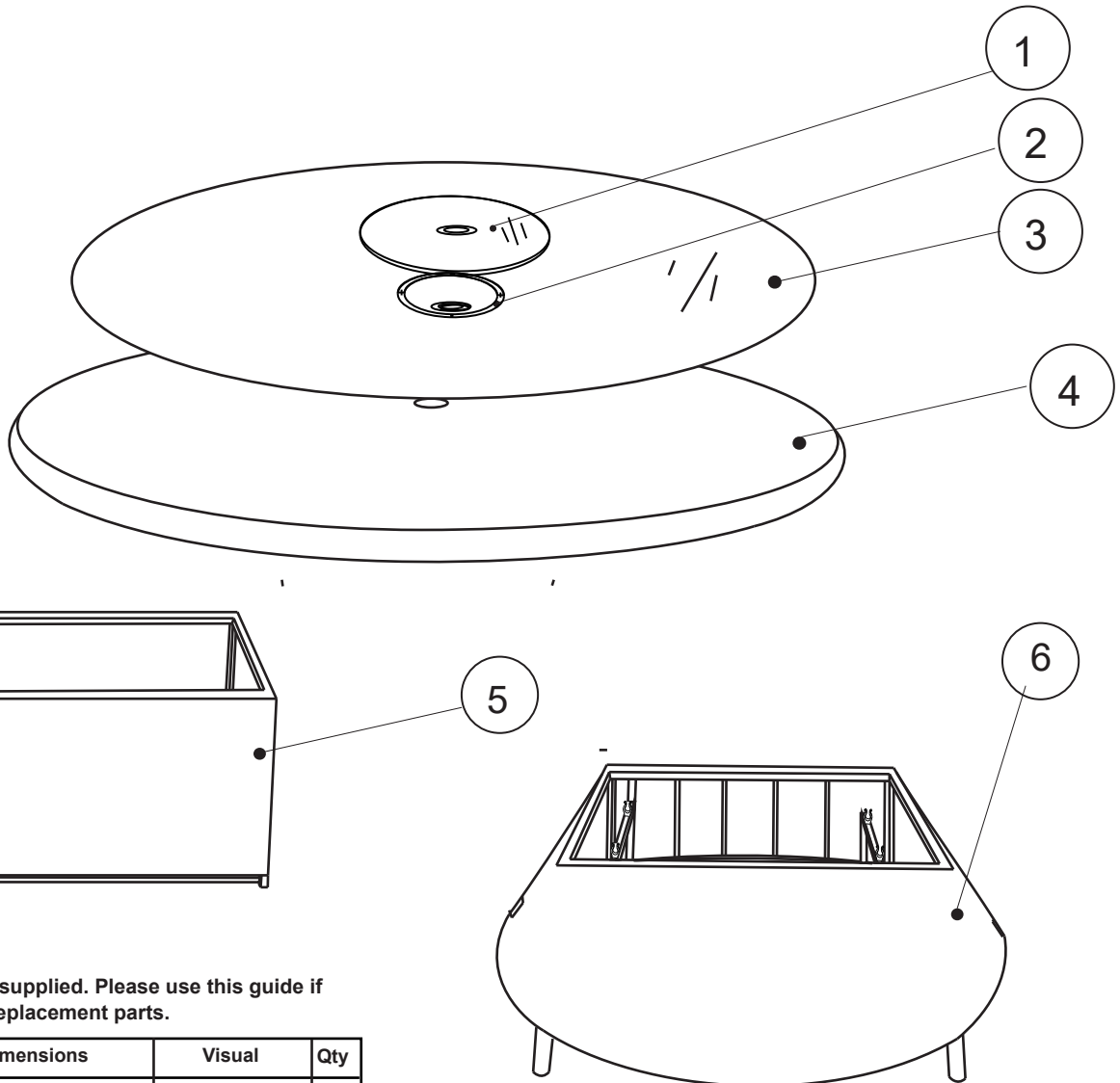
PLEASE NOTE: You will need to repeat this for all four sofa sections.



**IMPORTANT-RETAIN FOR FUTURE REFERENCE**

# ASCOT ROUND RISING TABLE

## Fixtures and Fittings

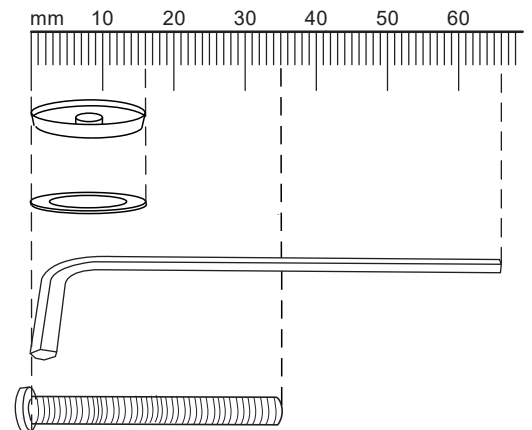


Components supplied. Please use this guide if you require replacement parts.

Ref	Dimensions	Visual	Qty
1	ø60x0.5cm		1
2	ø35x1.5cm		1
3	159X0.5cm		1
4	ø160X4cm		1
5	66.5X72X37.5cm		1
6	79Xø121X46.5cm		1

Fixtures and fittings supplied(actual size)

Ref	Dimensions	Qty
A	ø13x5mm	4
B	ø16x1mm	4
C	ø4X66mm	1
D	M6x35mm	4



**IMPORTANT-RETAIN FOR FUTURE REFERENCE**

# ASCOT ROUND SOFA DINING SET

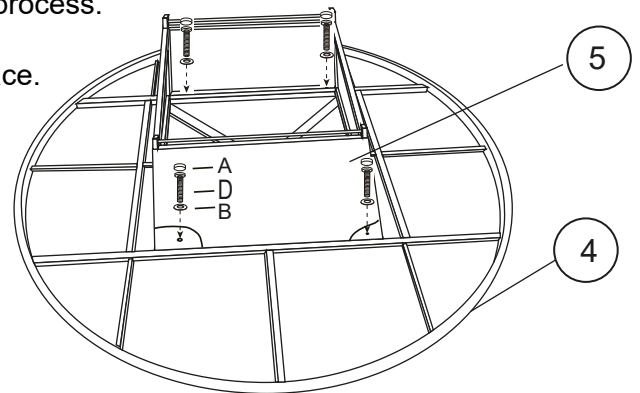
## Assembly Instructions for Rising Table

- 1** Unbox your dining table to begin the assembly process.

Lay the table top (4) upside down on a flat surface.

Attach the table top section (5) to your table top, this section is what creates the lock in and lock out mechanism for your rising table.

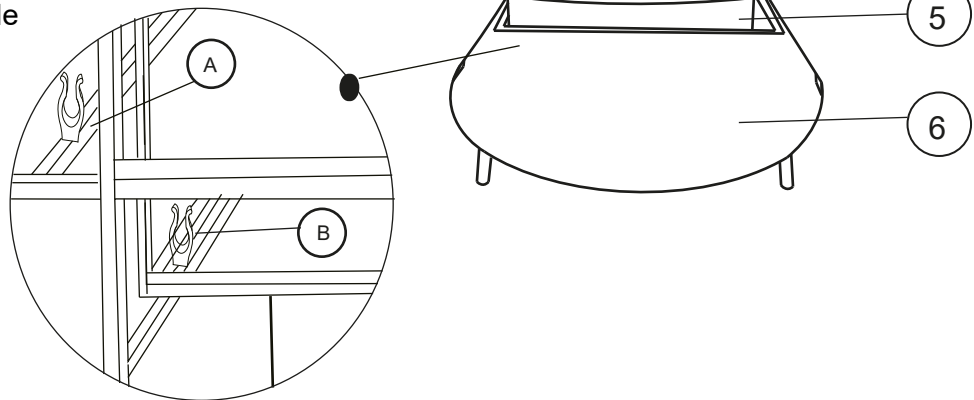
Use the washers, nuts and bolts to secure the section, fully tighten once the bolts are all aligned.



- 2** You can now clip your table top to your table base.

If you wish to use your table and dining table level, clip the table top is clip A.

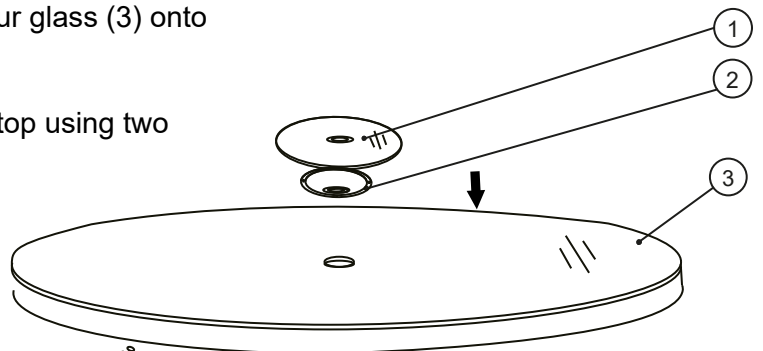
If you wish to use your table at coffee table height, clip the table top into clip B.



- 3** Turn your table over and now place your glass (3) onto your table top.

We recommend placing your glass on top using two persons for safety.

To finish, you can now replace your lazy susan ring (2) and glass lazy susan (1) onto the table to finish it.



**IMPORTANT-RETAIN FOR FUTURE REFERENCE**