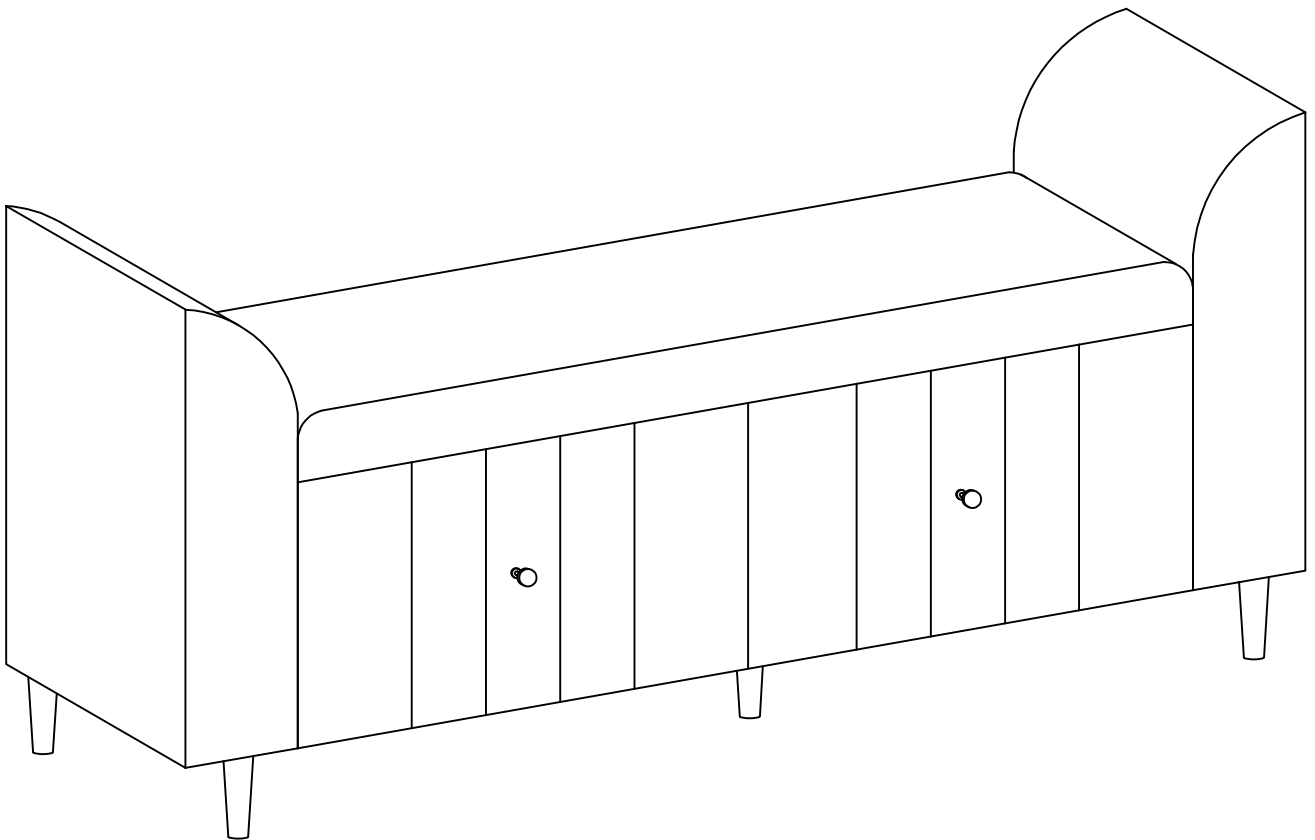
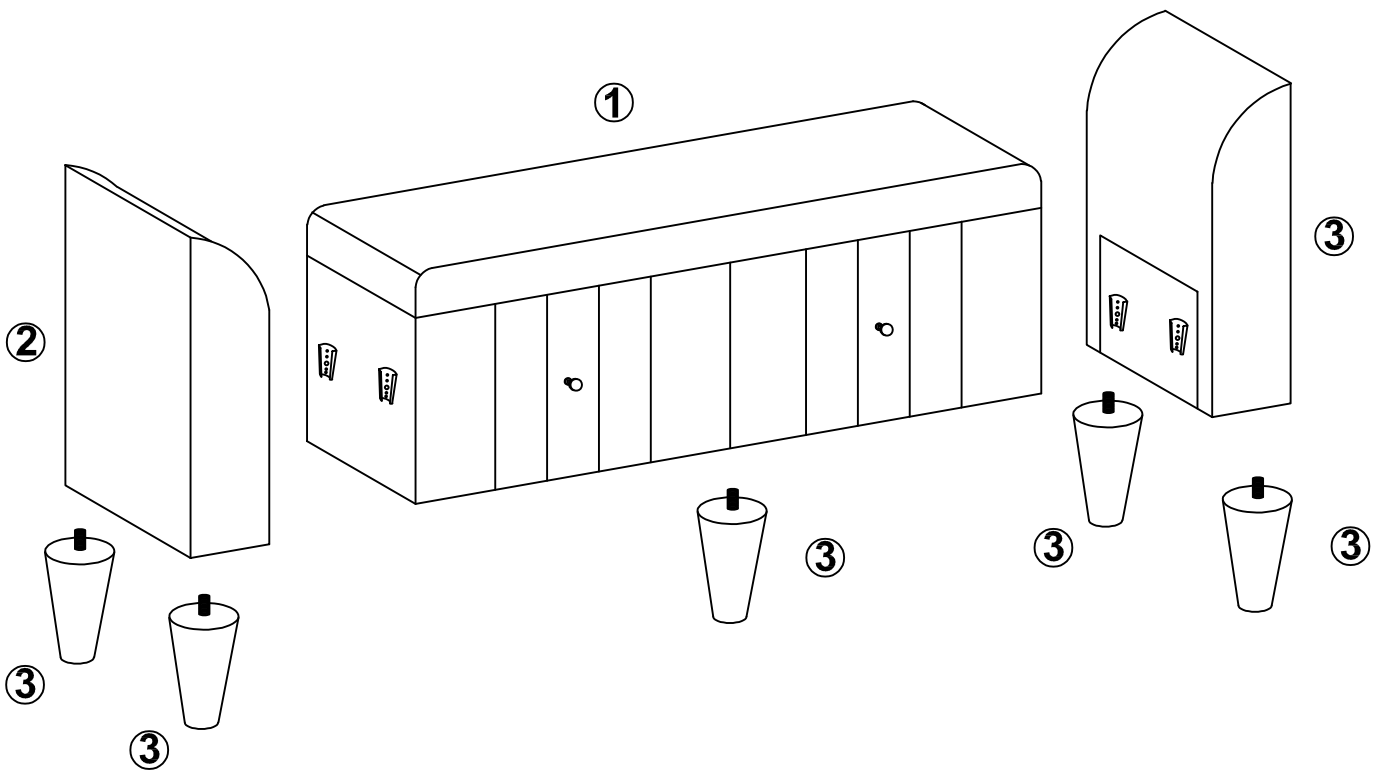


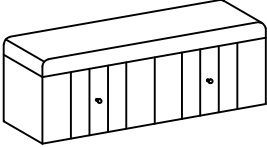
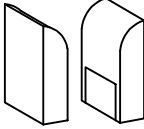
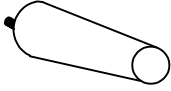
# ASSEMBLY INSTRUCTIONS



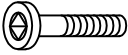

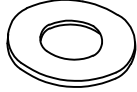
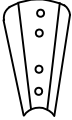
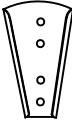
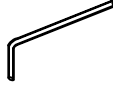
# Detail View



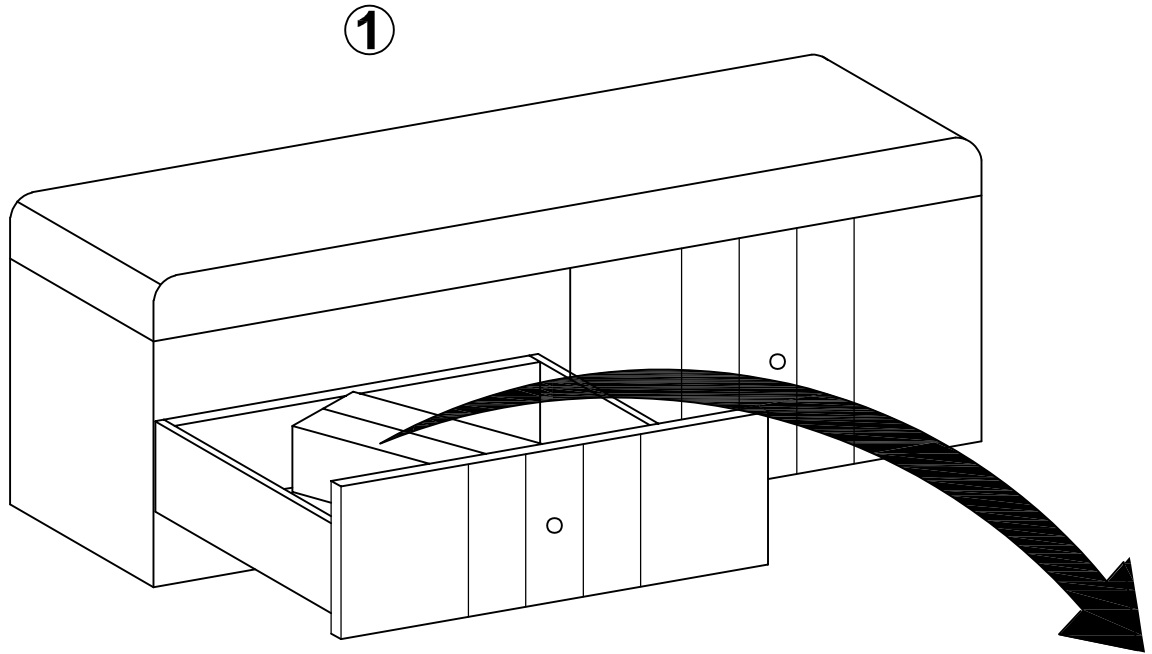
# Part List & Hardware List

<b>1</b> 	<b>2</b> 	<b>3</b> 
<b>Bench - 1pc</b>	<b>Arm - 2pcs</b>	<b>Legs - 4pcs</b>

## Hardware List

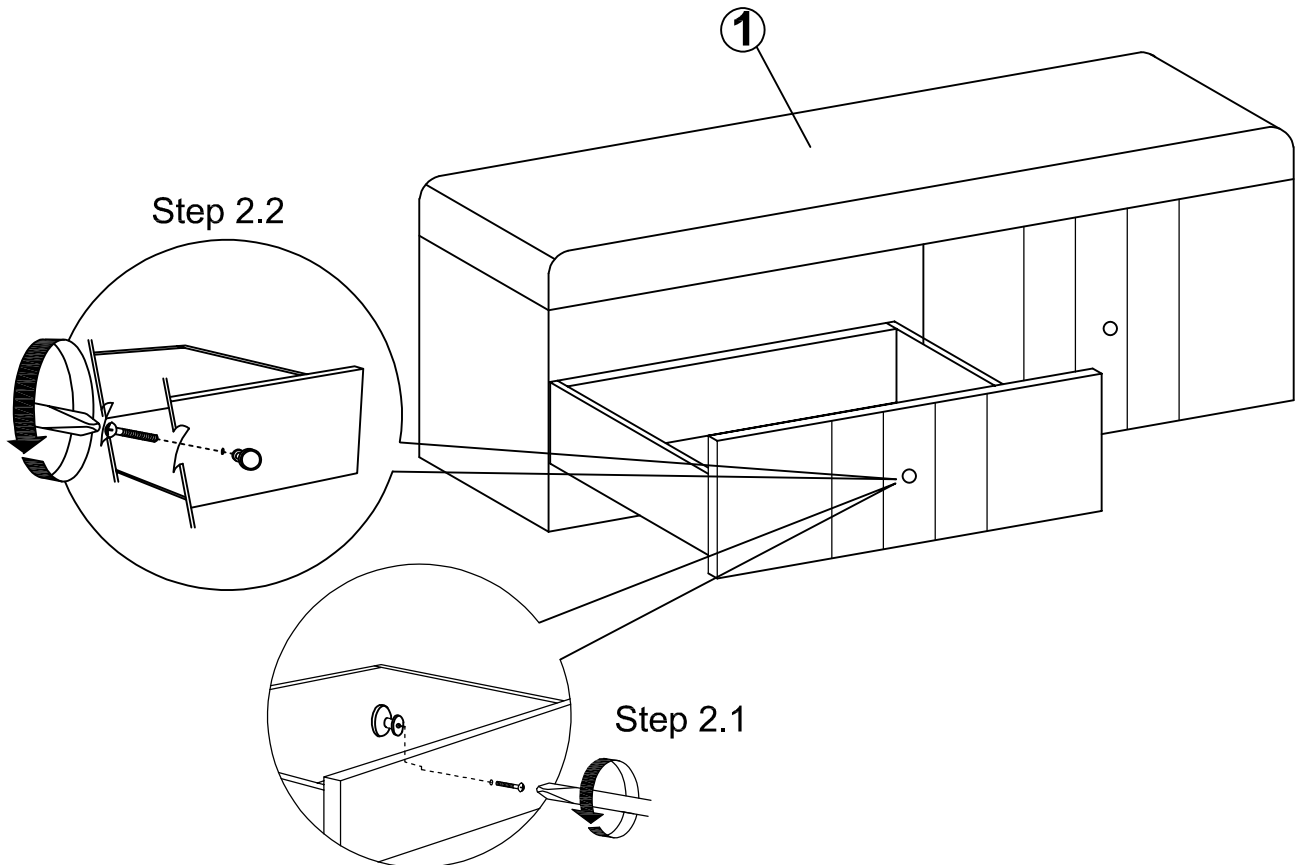
<b>A</b>  <p>Ø1/8"*30mm</p>	<b>B</b>  <p>M6</p>	<b>C</b>  <p>M6</p>
<b>Hex-Head bolt (16pcs)</b>	<b>Spring Washer (16pcs)</b>	<b>Flat Washer (16pcs)</b>
<b>D</b> 	<b>E</b> 	<b>F</b>  <p>65mm</p>
<b>Bracket (4pcs)</b>	<b>Bracket (4pcs)</b>	<b>Allen key (1pc)</b>

# Step 1:

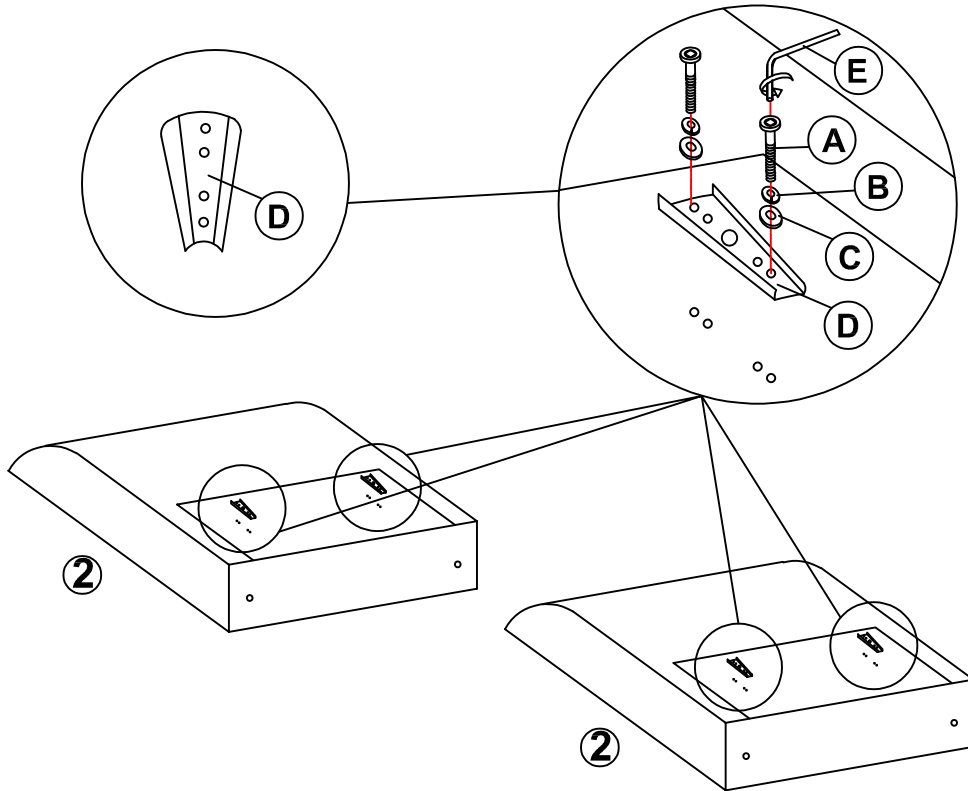


Take out the small carton to assemble !

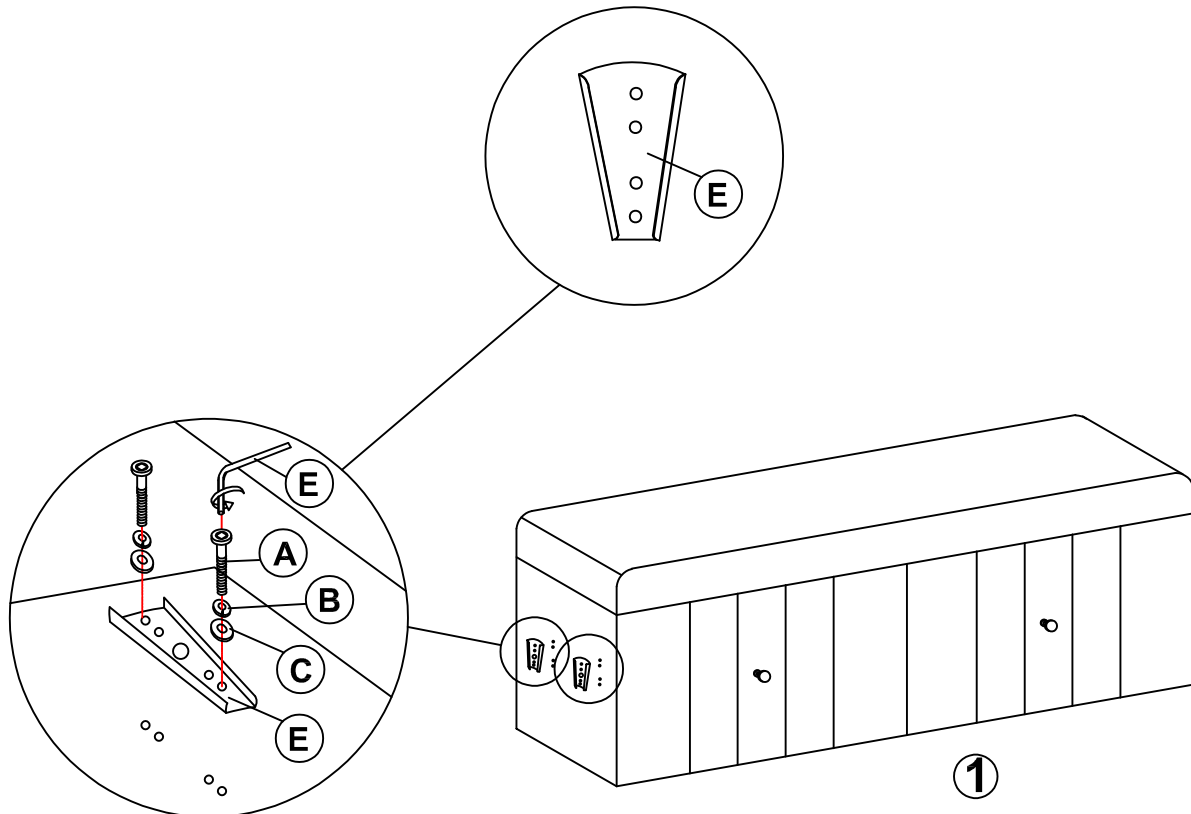
# Step 2:



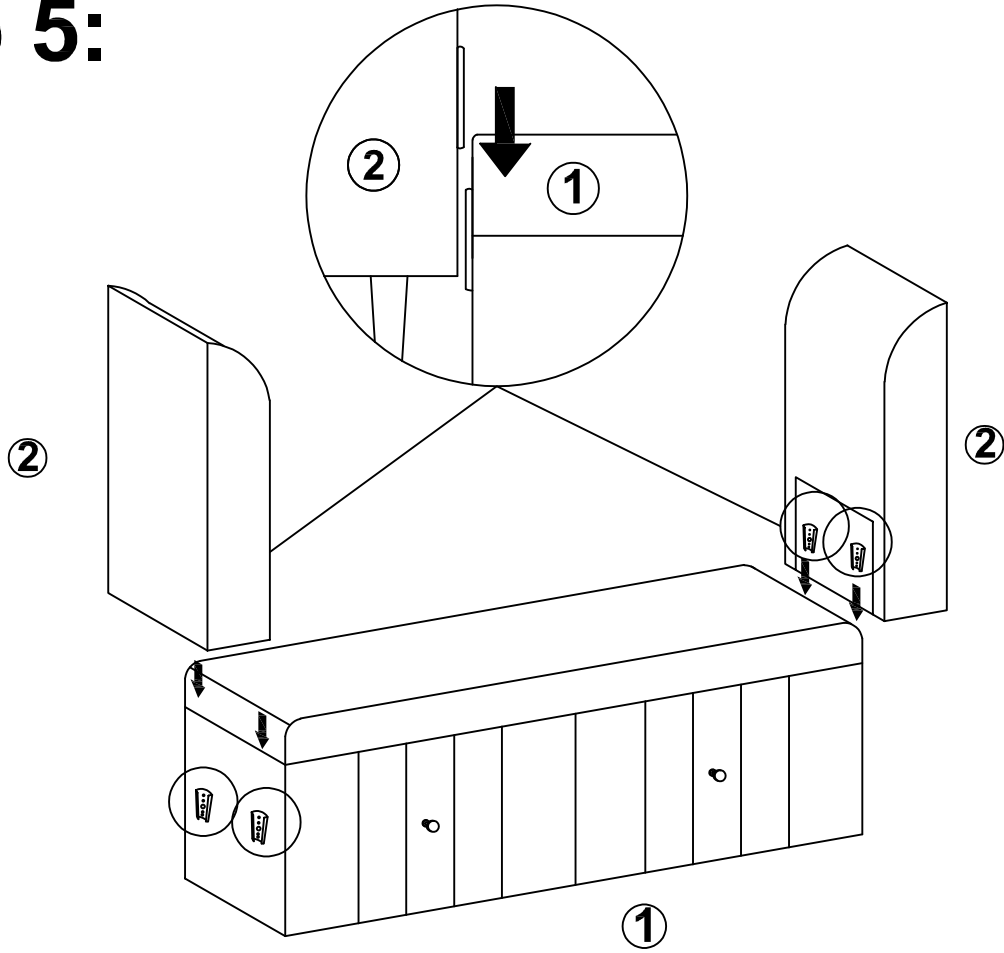
# Step 3:



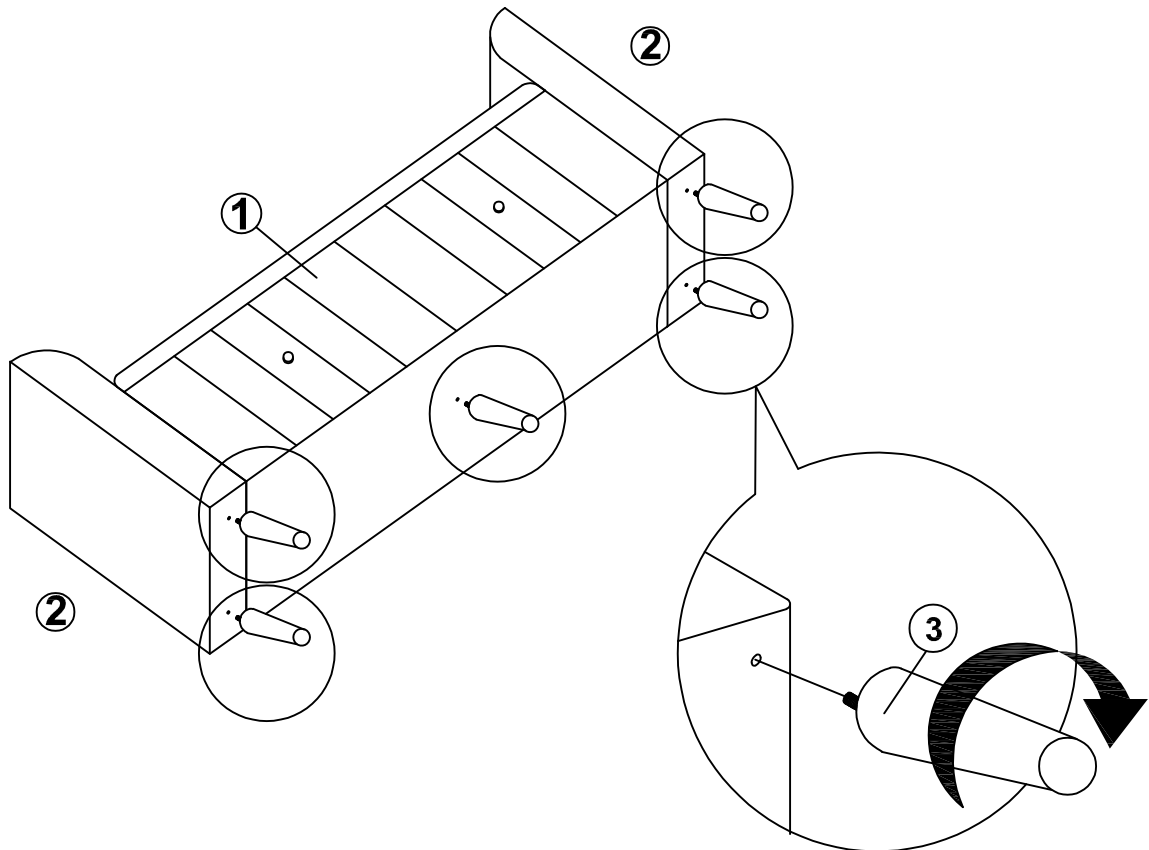
# Step 4:



# Step 5:



# Step 6:



# Step 7:

