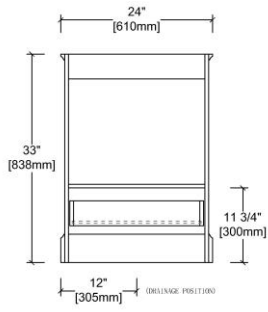
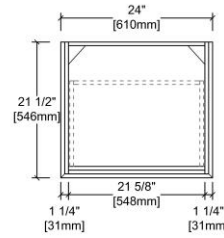


Specification & Installation Guide

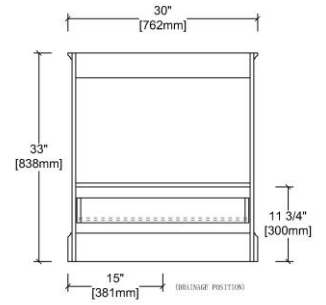
BACK VIEW



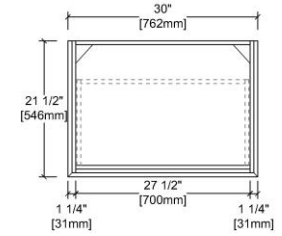
TOP VIEW



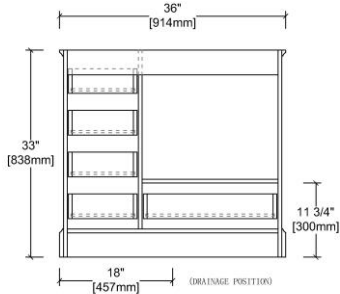
BACK VIEW



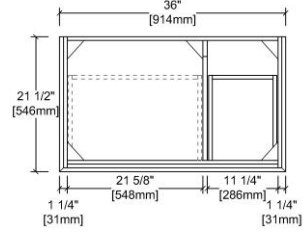
TOP VIEW



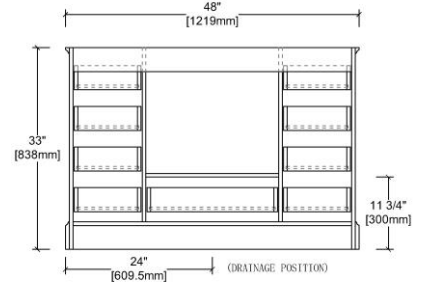
BACK VIEW



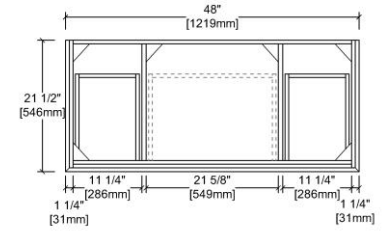
TOP VIEW



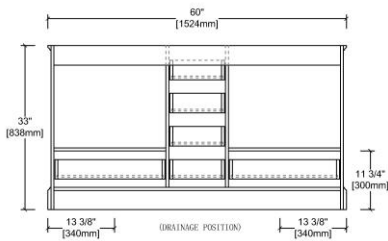
BACK VIEW



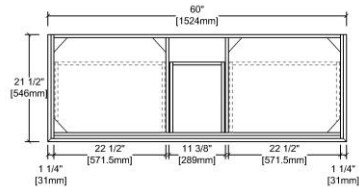
TOP VIEW



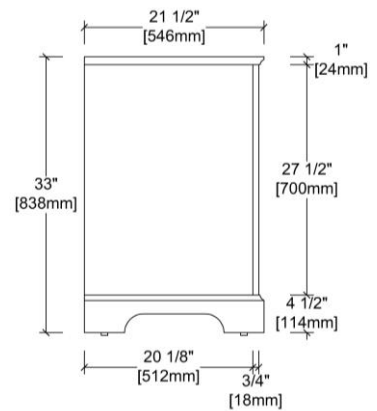
BACK VIEW



TOP VIEW



SIDE VIEW



Features

- Solid wood construction and ply-wood case
- Soft-closing doors and full-extension soft closing
Drawers with dovetail construction.
- Adjustable screws for legs (1/2")
- Matching wooden frame mirrors

Vanities Dimension

24	24"x21-1/2"x33"
30	30"x21-1/2"x33"
36	36"x21-1/2"x33"
48	48"x21-1/2"x33"
60	60"x21-1/2"x33"

Finishing

Pack Dimension

Gross Weight

MATT WHITE	26"x23-1/2"x35"	68 LBS
METAL GREY	26"x23-1/2"x35"	68 LBS
NAVY BLUE	26"x23-1/2"x35"	68 LBS
MATT WHITE	32"x23-1/2"x35"	75 LBS
METAL GREY	32"x23-1/2"x35"	75 LBS
NAVY BLUE	32"x23-1/2"x35"	75 LBS
MATT WHITE	38"x23-1/2"x35"	115 LBS
METAL GREY	38"x23-1/2"x35"	115 LBS
NAVY BLUE	38"x23-1/2"x35"	115 LBS
MATT WHITE	50"x23-1/2"x35"	167 LBS
METAL GREY	50"x23-1/2"x35"	167 LBS
NAVY BLUE	50"x23-1/2"x35"	167 LBS
MATT WHITE	62"x23-1/2"x35"	172 LBS
METAL GREY	62"x23-1/2"x35"	172 LBS
NAVY BLUE	62"x23-1/2"x35"	172 LBS

Matching Mirror Size

21-1/2"x31-1/2"

27-1/2"x31-1/2"

33-1/2"x31-1/2"

47-1/4"x31-1/2"

21-1/2"x31-1/2"(TWO)

Top Dimension

Top Material

25"x22"

Carrara Marble

31"x22"

Carrara Marble

37"x22"

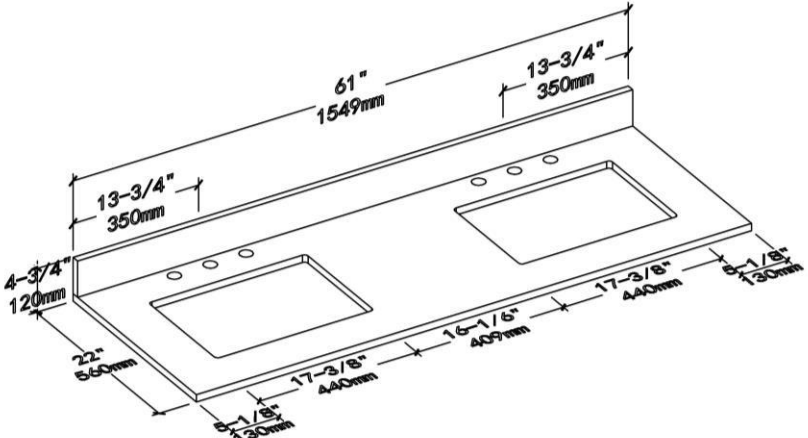
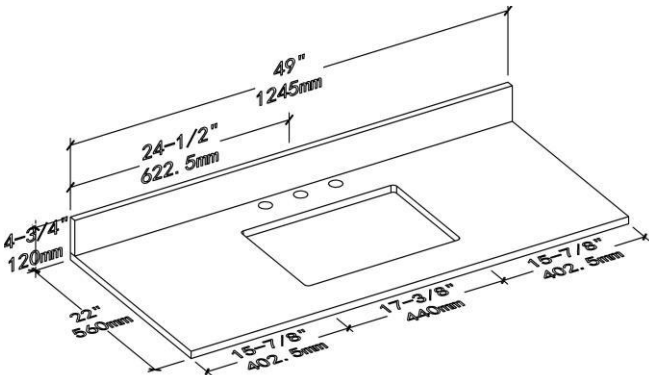
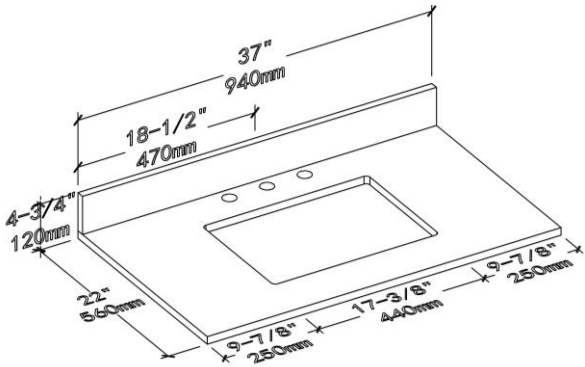
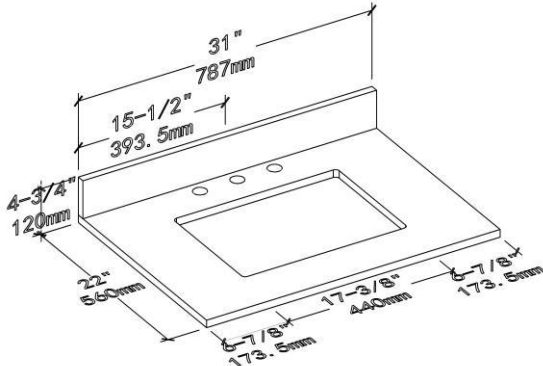
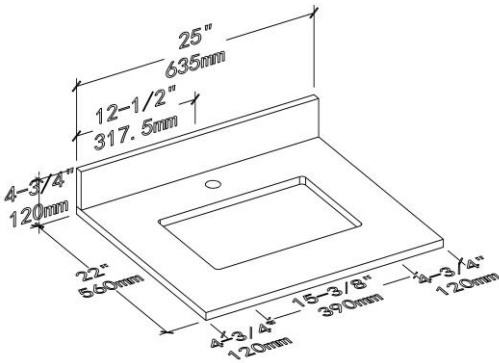
Carrara Marble

49"x22"

Carrara Marble

61"x22"

Carrara Marble



Required Tools(Not Included)



Screwdriver



Silicone



Tape

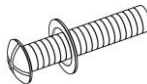


Pencil

Supplied Spare Part

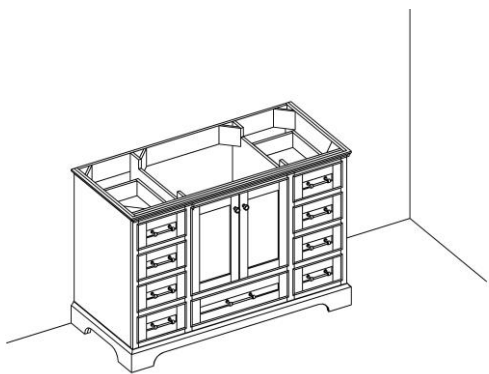


(Clips)

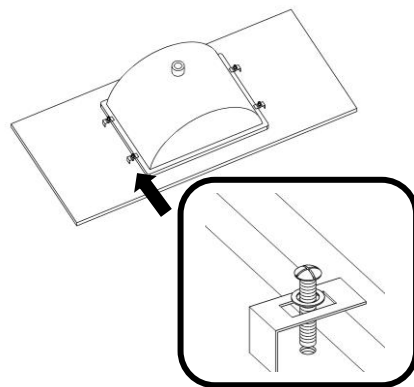


(Screws)

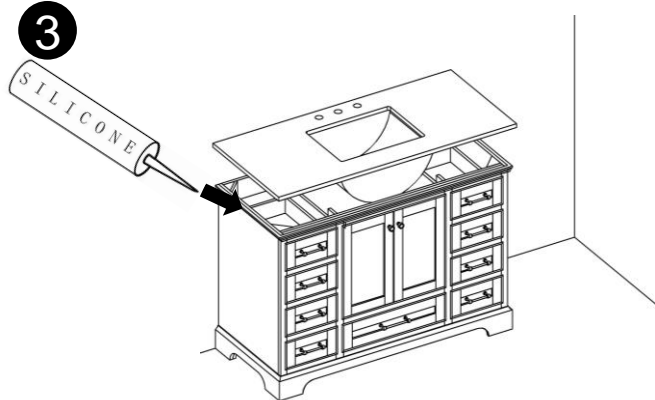
1



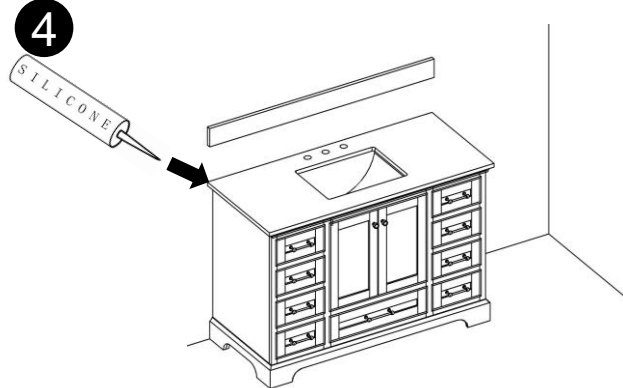
2



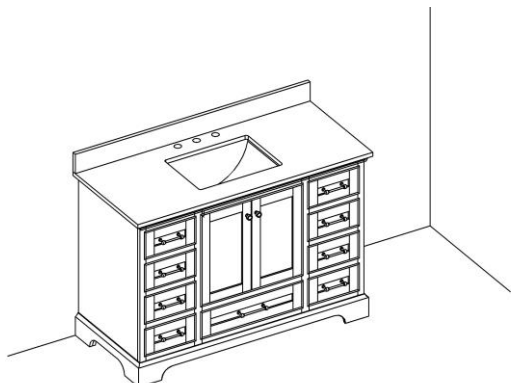
3



4



5



Suggestion: Fix the faucet onto the Top Between 2 and 3

Required Tools(Not Included)



Electric Drill



Drill Bit



Tape



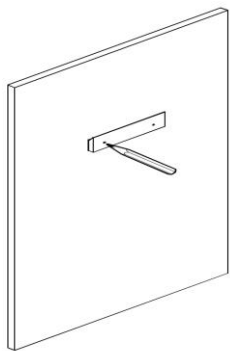
Pencil

Supplied Spare Part  (Anchors)

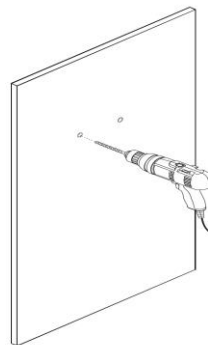


(Screws)

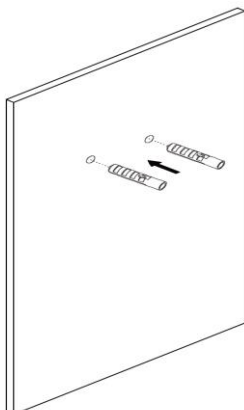
1



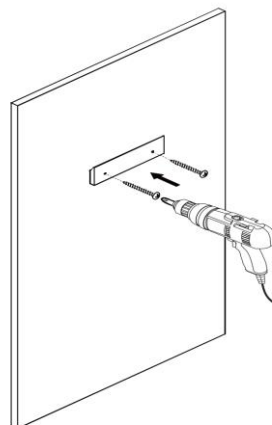
2



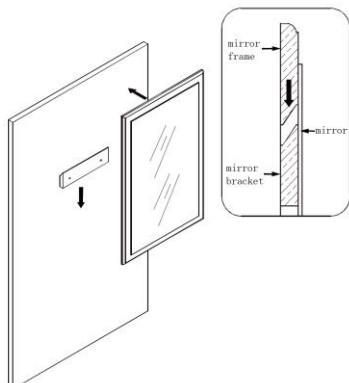
3



4



5



6

