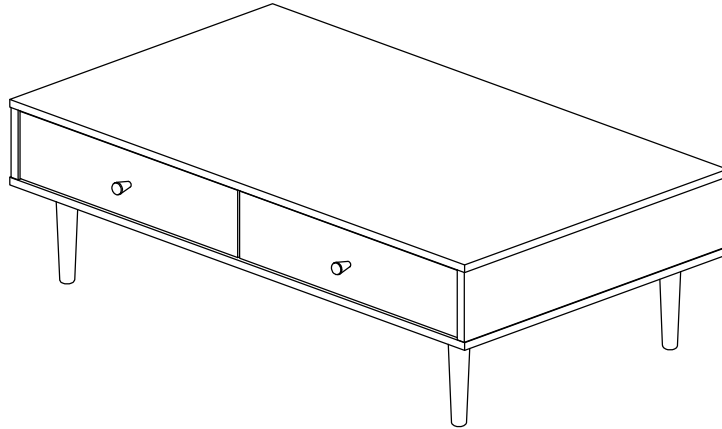
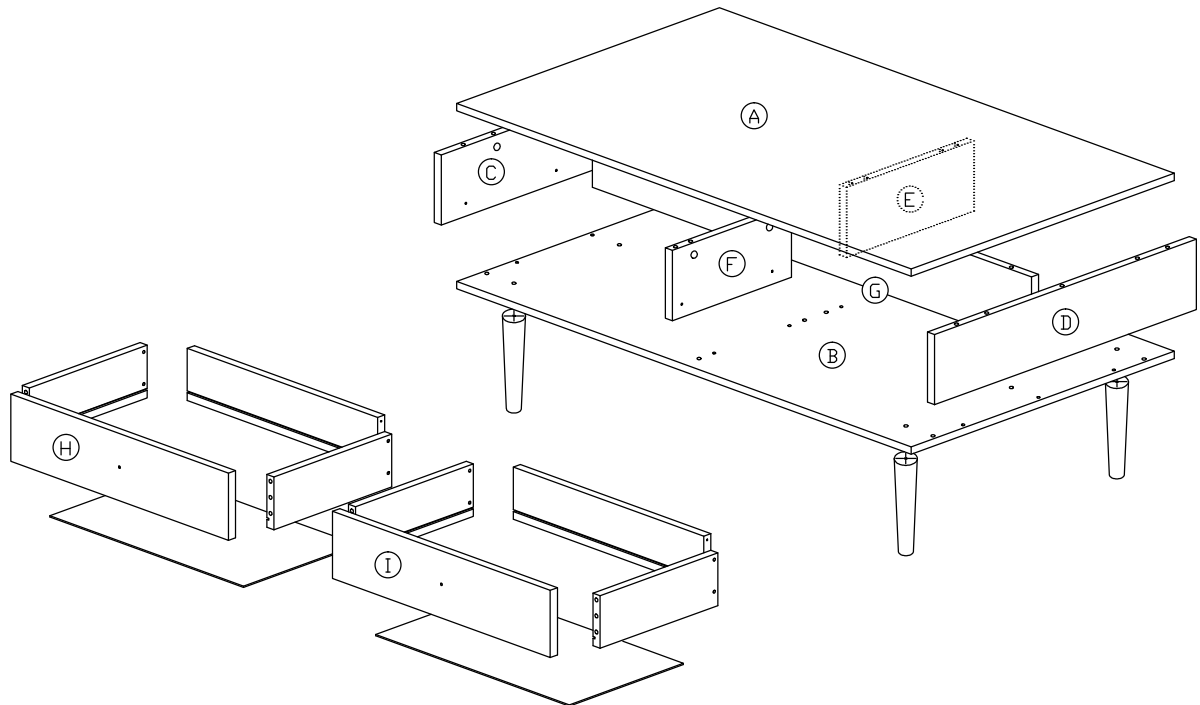


# Assembly Instruction



## Part List

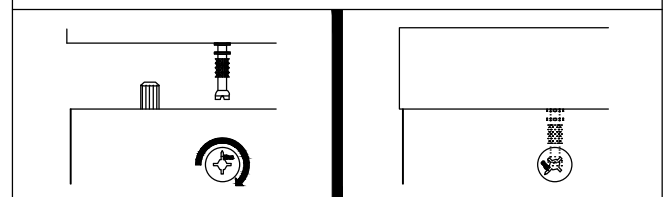


### Hardware List

No.	SHAPE	DESCRIPTION	Qty.
1		<b>8x25mm Wood Dowel</b>	30Pcs
2		<b>15MM Titus Mini Fix</b>	12Sets
3		<b>M5x8mm Screw (Euro Screw)</b>	8Pcs
4		<b>M3.5x15mm Screw</b>	8Pcs
5		<b>M4x38mm Screw</b>	8Pcs
6		<b>M5x38mm Screw</b>	10Pcs
7		<b>M6x50mm Screw</b>	4Pcs
8		<b>Drawer Slide = 250mm</b>	2Sets

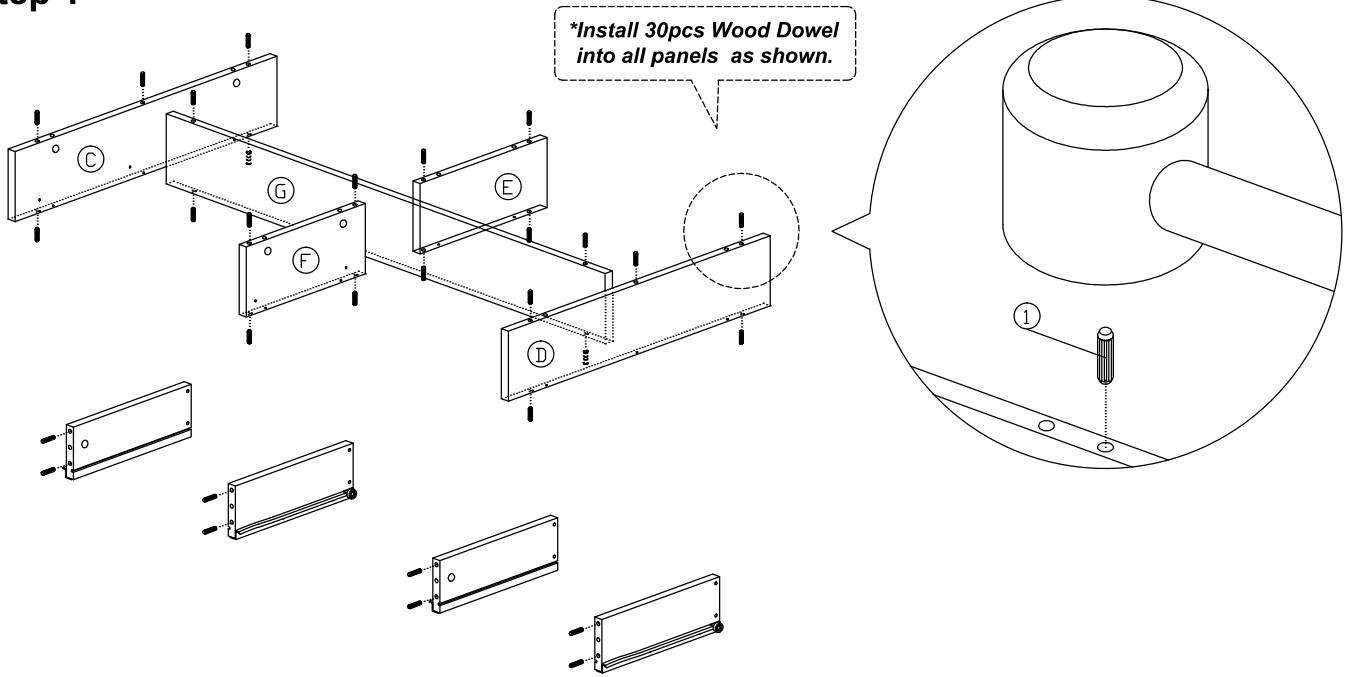
9		<b>15mm Minifix Cap</b> <small>(Follow panels colour)</small>	8Pcs
10		<b>Handle Knob 311</b> <b>M3.6x24mm (Handle Screw)</b>	2Sets
11		<b>Wooden Leg Ø46x185mm</b>	4Pcs
12		<b>L Key</b>	1Pc

### Dowel / Cam - Lock Installation

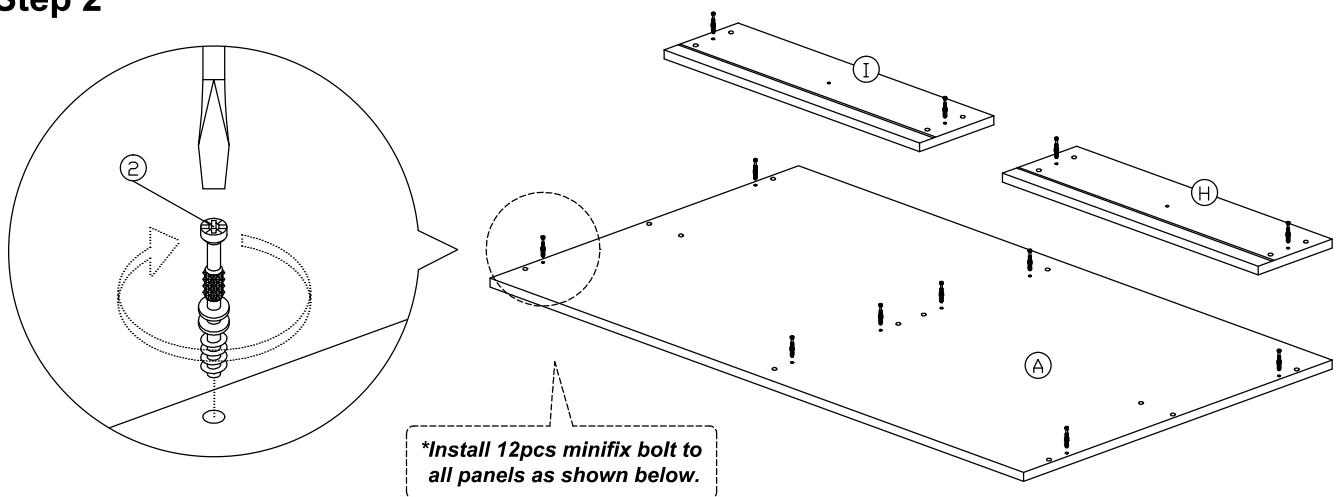


# Assembly Instruction

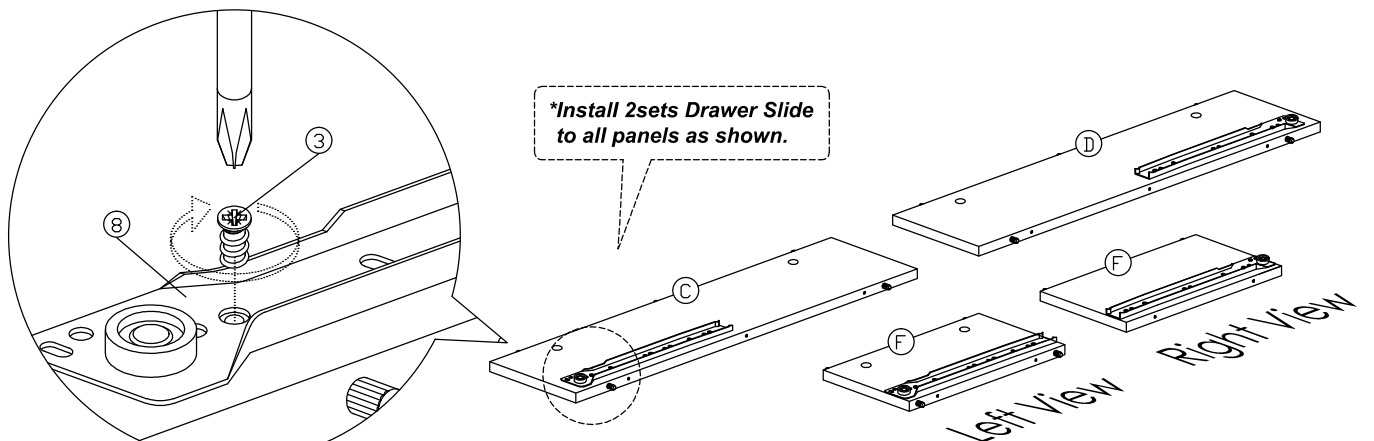
## Step 1



## Step 2

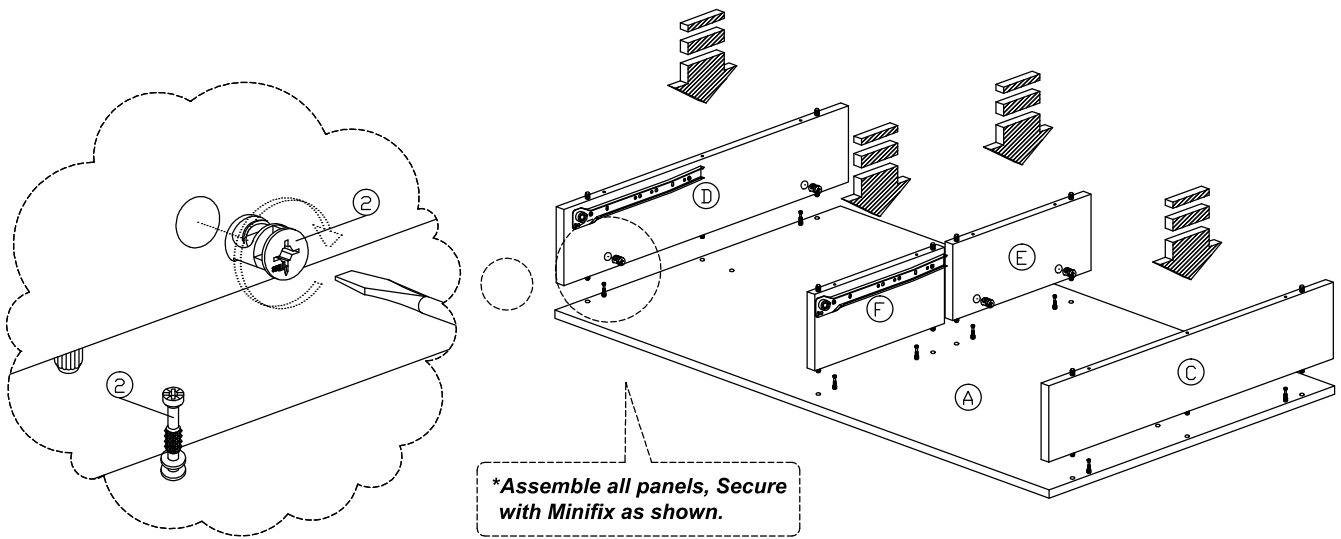


## Step 3

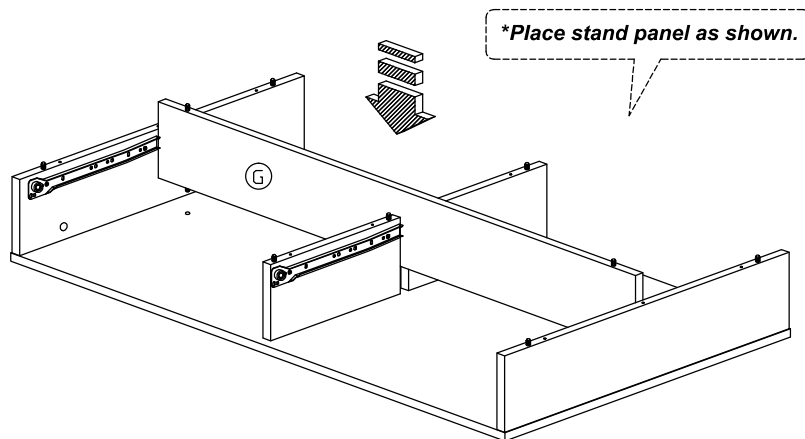


# Assembly Instruction

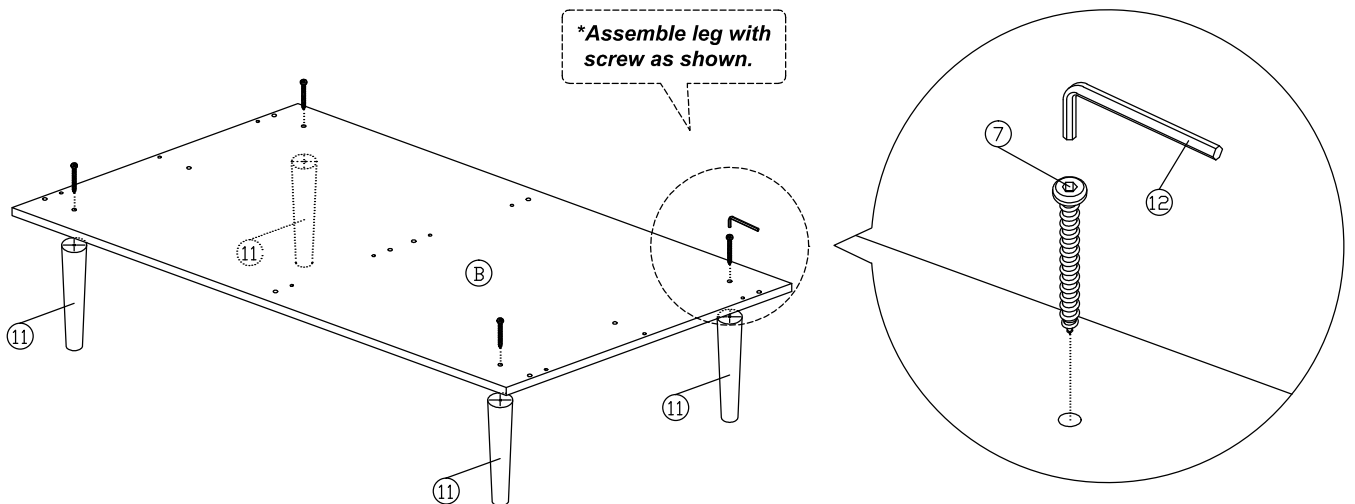
## Step 4



## Step 5

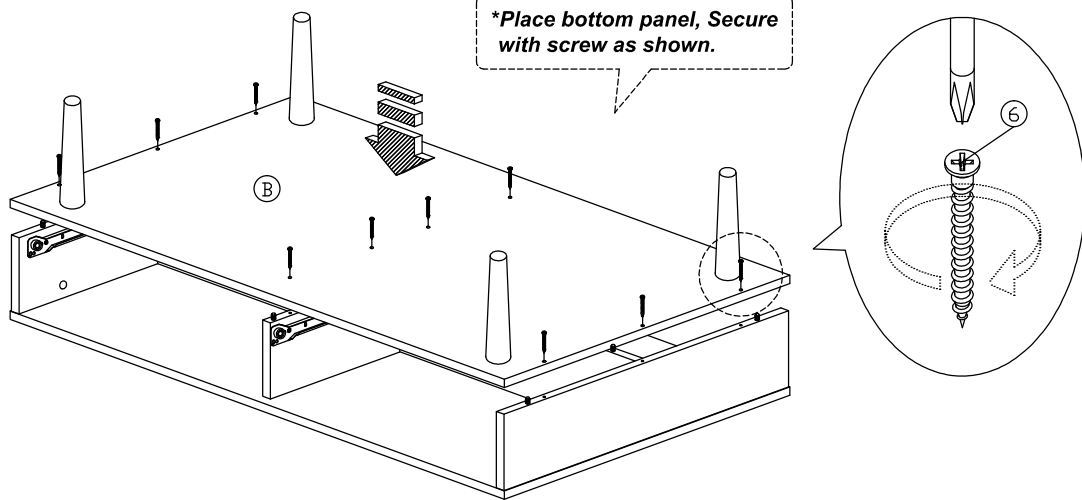


## Step 6

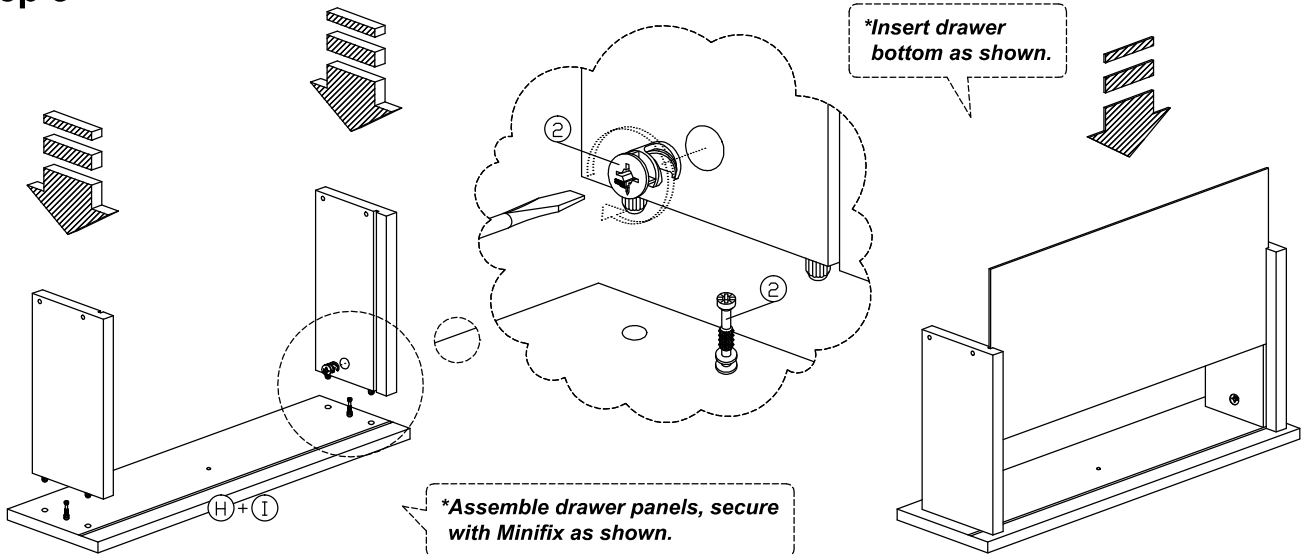


# Assembly Instruction

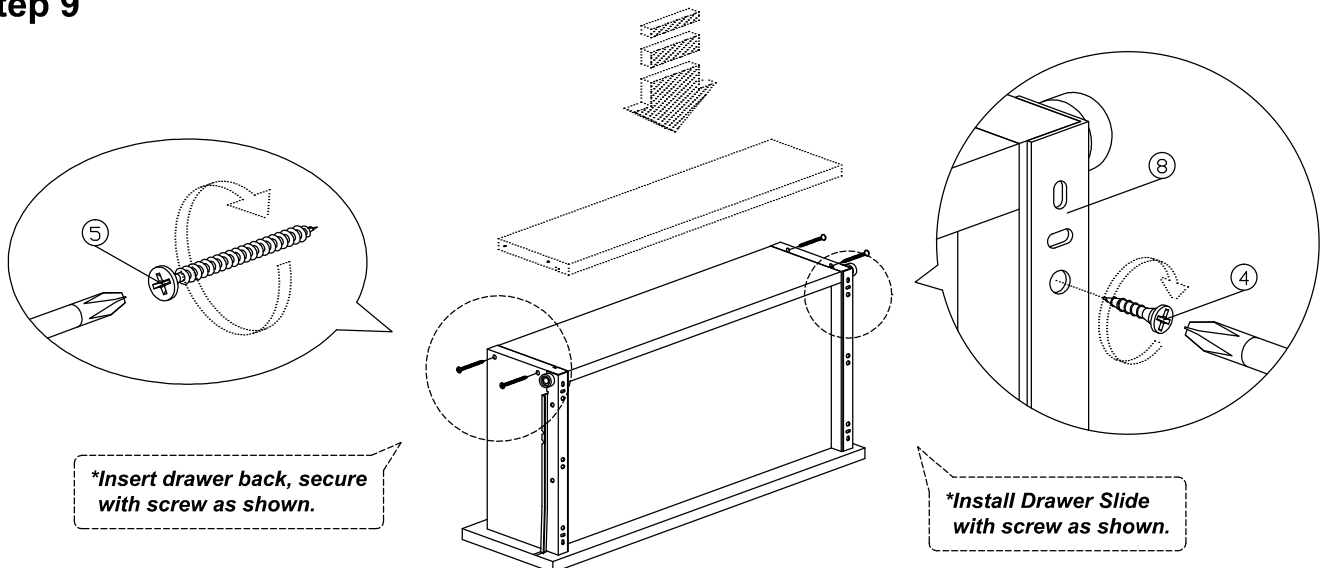
## Step 7



## Step 8

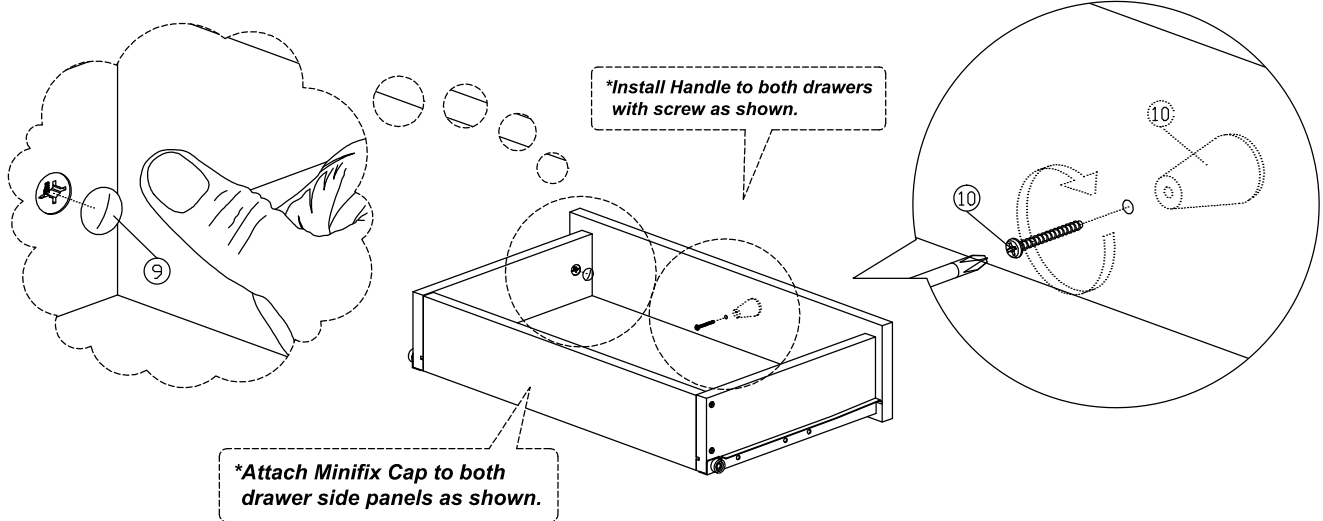


## Step 9

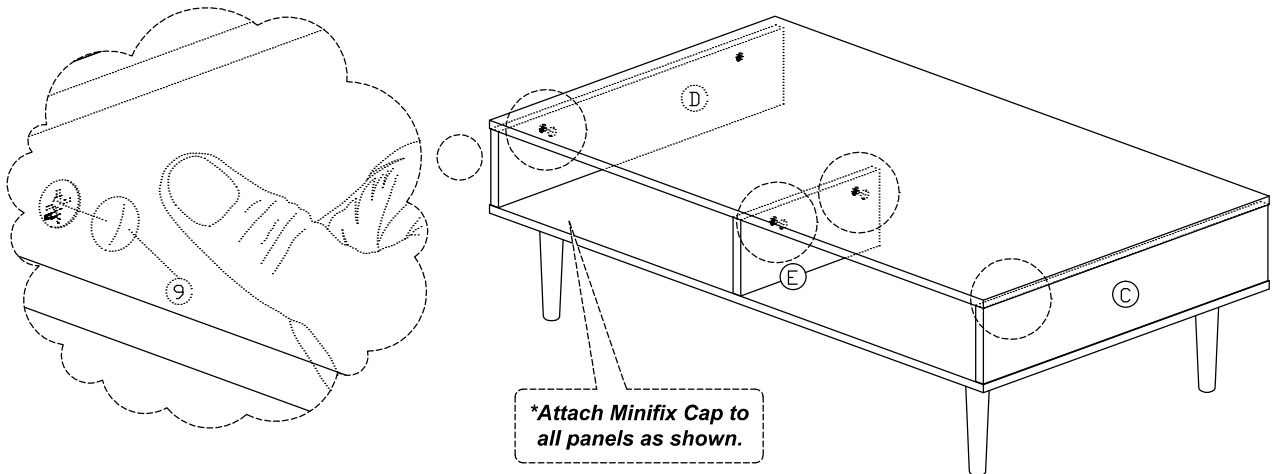


# Assembly Instruction

## Step 10



## Step 11



## Step 12

