

ASSEMBLY INSTRUCTIONS



Fine Furniture for every stage of life

2PC OCCASIONAL SET

REVISION 0 : 06/20/2019
REVISION 1 : 08/22/2019
REVISION 2 : 11/14/2022

PAGE 1 OF 10

ASSEMBLY INSTRUCTIONS

ASSEMBLY TIPS:

1. Remove hardware from box and sort by size.
2. Please check to see that all hardware and parts are present prior to start of assembly.
3. Please follow attached instructions in the same sequence as numbered to assure fast & easy assembly.

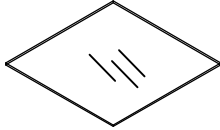
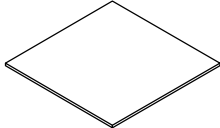
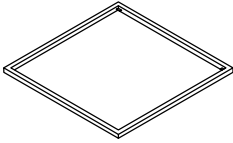
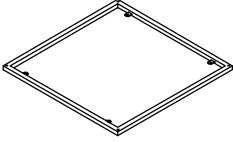
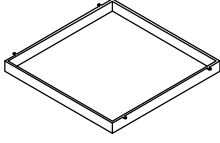




WARNING!

1. Don't attempt to repair or modify parts that are broken or defective. Please contact the store immediately.
2. This product is for home use only and not intended for commercial establishments.




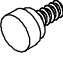


ASSEMBLY TIME 35 MINUTES

PARTS IDENTIFICATION

A	GLASS		2PCS
BN	MIRROR		2PCS
C	TOP FRAME		2PCS
DN	MIDDLE FRAME		2PCS
E	BOTTOM FRAME		2PCS
F	LARGE SUPPORT CROSSBAR		4PCS
G	SMALL SUPPORT CROSSBAR		4PCS

ZN

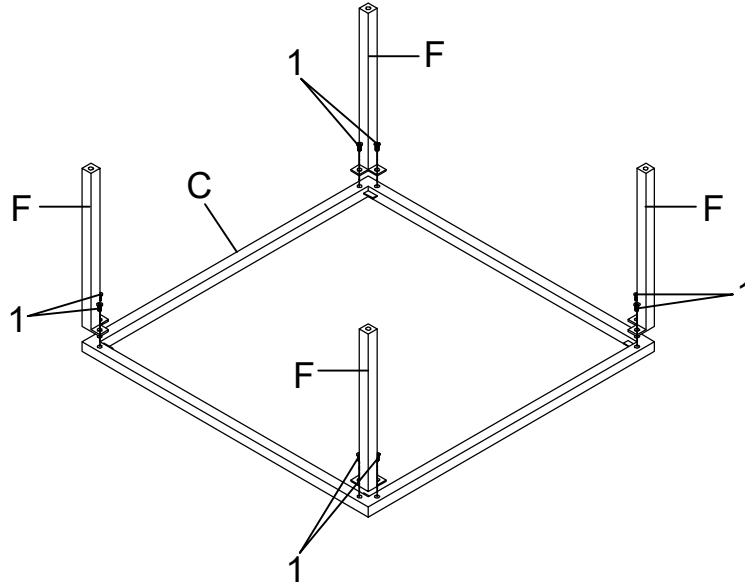
HARDWARE IDENTIFICATION

1	SHORT BOLT (1/4" x 12mm GD)		24PCS
2	LONG BOLT (1/4" x 47mm GD)		8PCS
3	LARGE SUCTION CUP (ϕ 12mm)		8PCS
4	LEVELER (3/16" x 12mm BLK)		8PCS
5	SUCTION CUP (ϕ 8 x 2mm)		8PCS
6	ALLEN WRENCH (4mm)		1PC

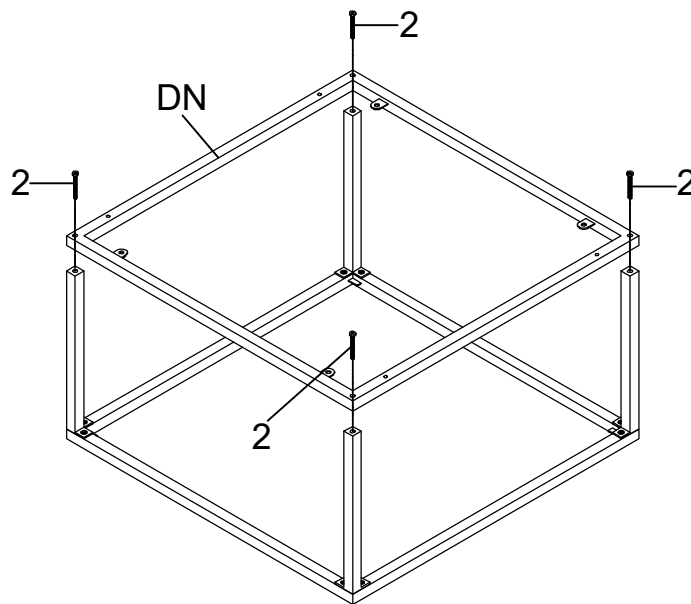
ASSEMBLY INSTRUCTIONS

LARGE TABLE

STEP 1 Do not tighten until each step is completed or instructed.

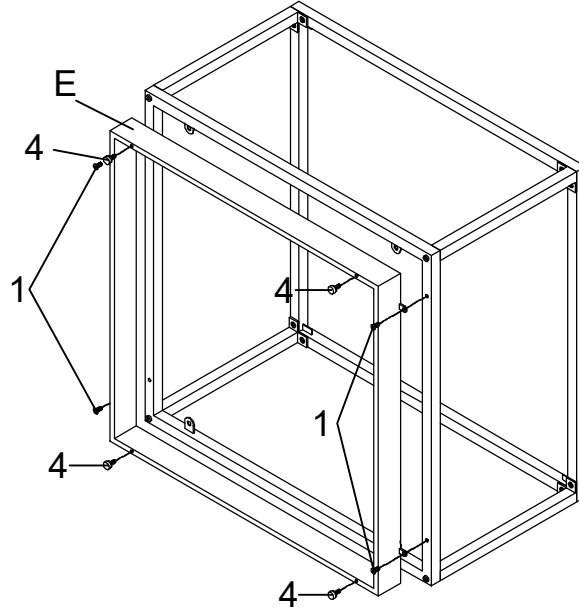


STEP 2

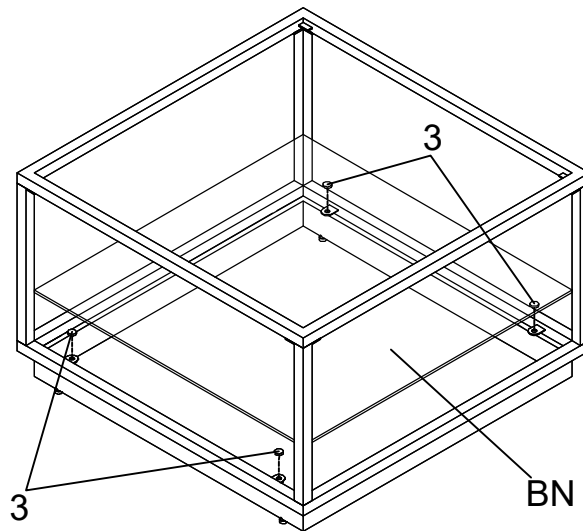


ASSEMBLY INSTRUCTIONS

STEP 3

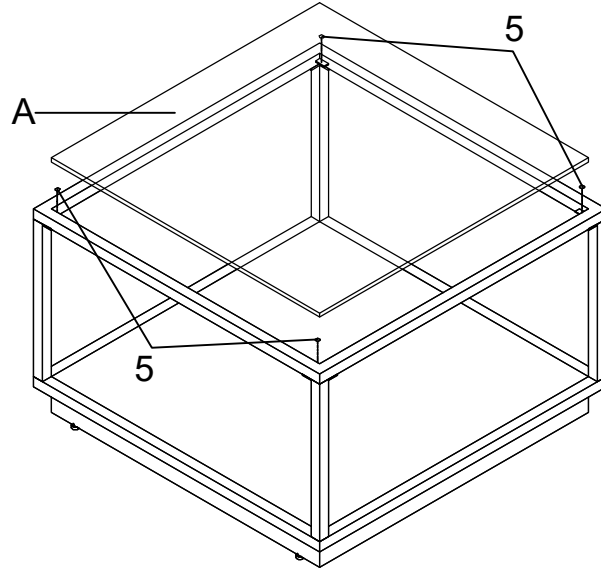


STEP 4



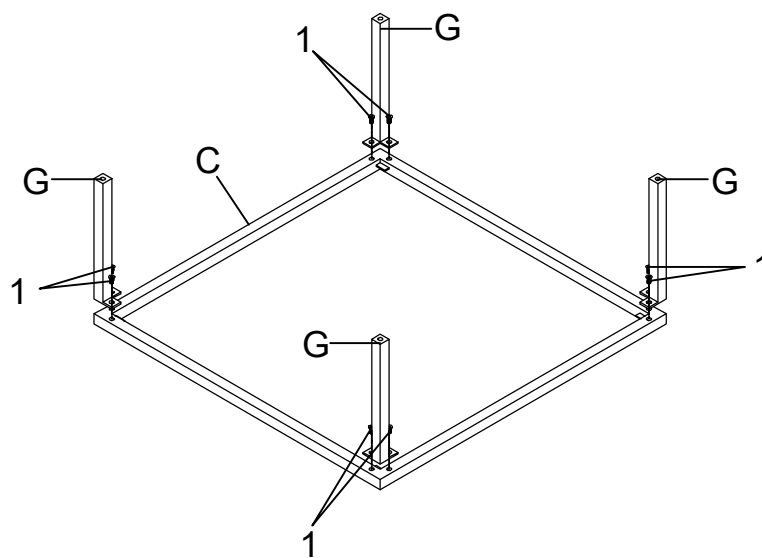
ASSEMBLY INSTRUCTIONS

STEP 5



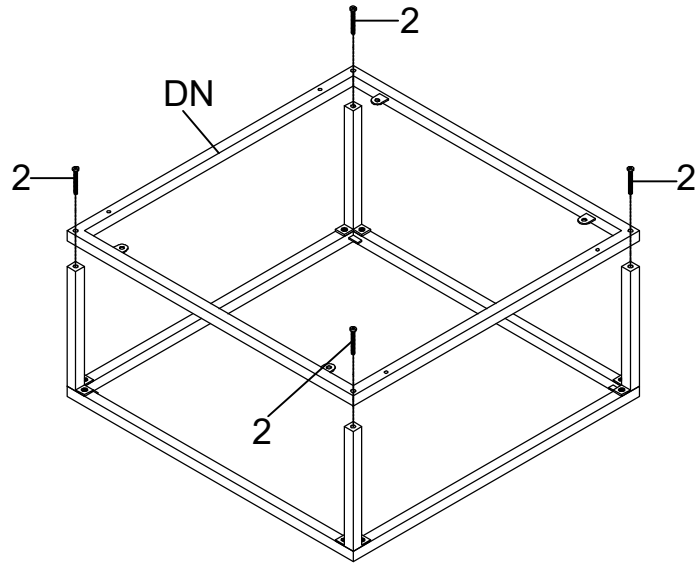
SMALL TABLE

STEP 6

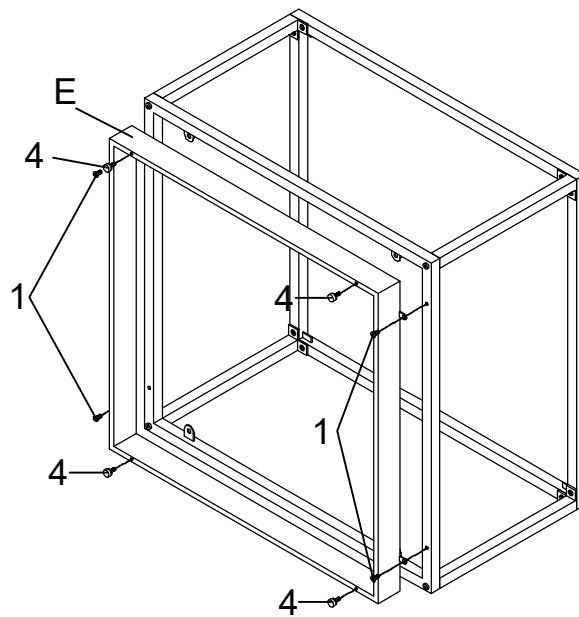


ASSEMBLY INSTRUCTIONS

STEP 7

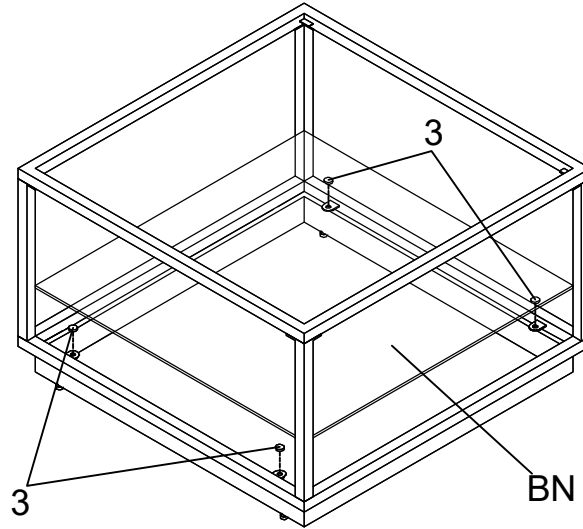


STEP 8

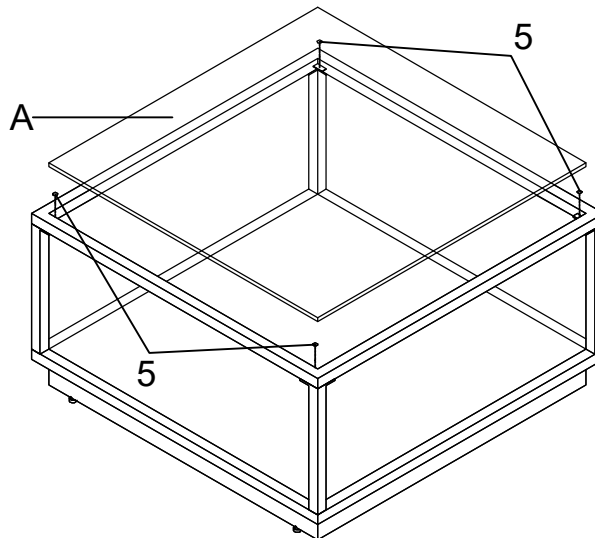


ASSEMBLY INSTRUCTIONS

STEP 9



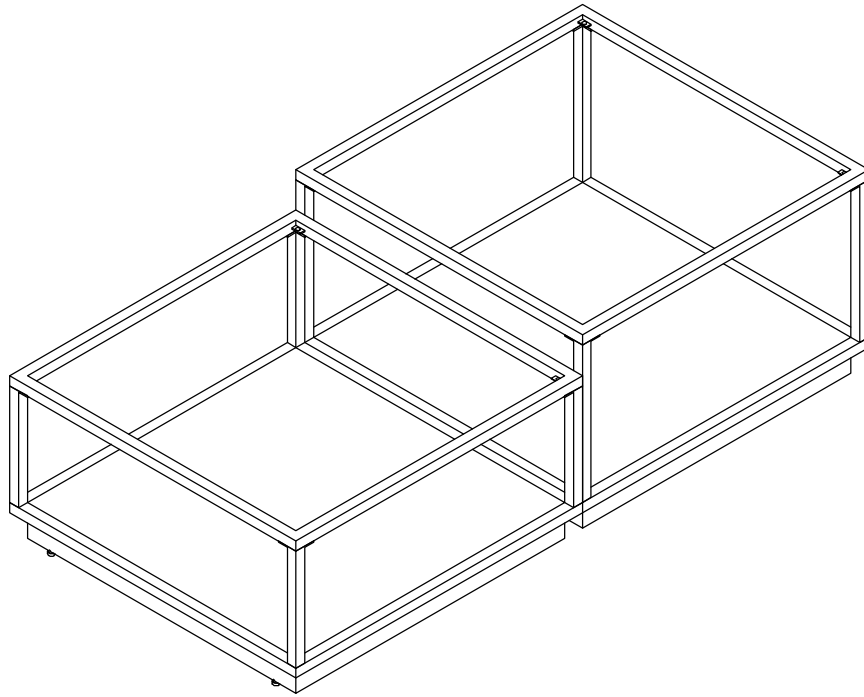
STEP 10



ASSEMBLY INSTRUCTIONS

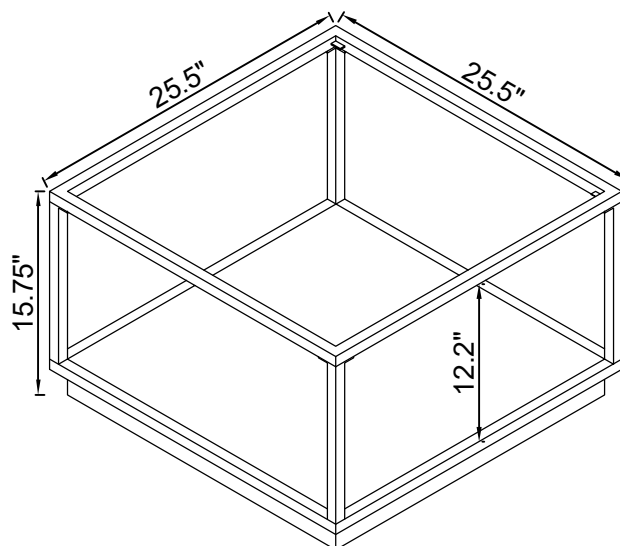
STEP 11

COMPLETE

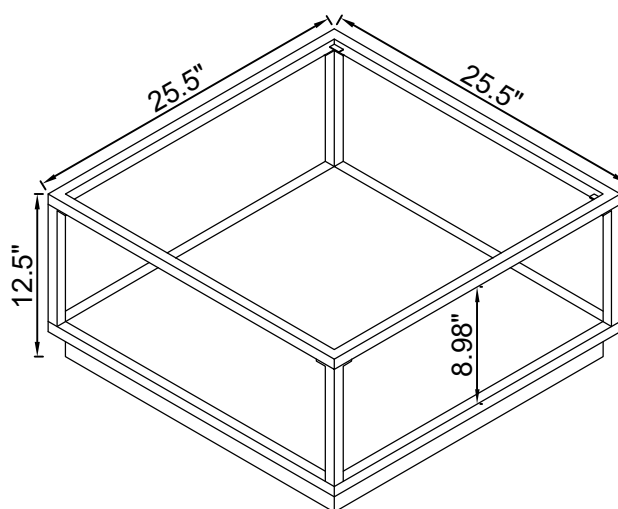


ASSEMBLY INSTRUCTIONS

Product Size : 648 X 648 X 400 H (MM)
Product Size : 25 $\frac{1}{2}$ " X 25 $\frac{1}{2}$ " X 15 $\frac{3}{4}$ "



Product Size : 648 X 648 X 318 H (MM)
Product Size : 25 $\frac{1}{2}$ " X 25 $\frac{1}{2}$ " X 12 $\frac{1}{2}$ "



Note : Dimension tolerance $\pm 5\%$