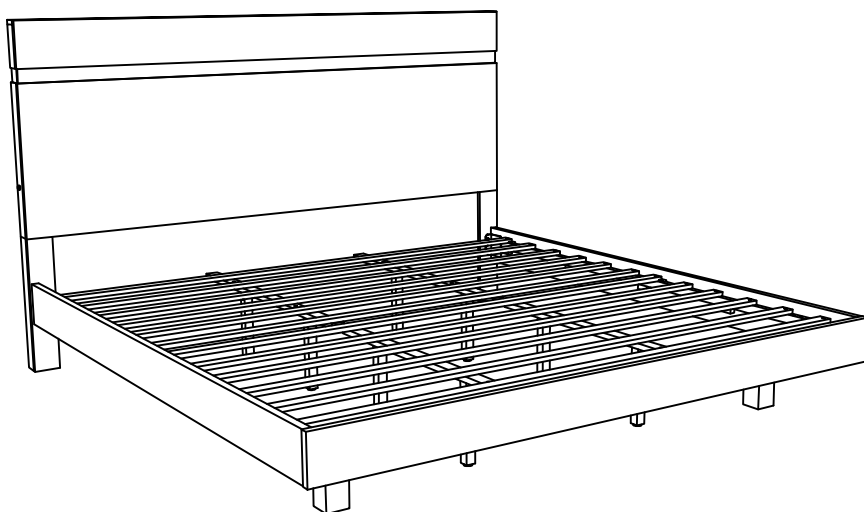
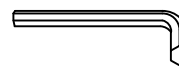


# ASSEMBLY INSTRUCTIONS

---



## TOOLS REQUIRED



Allen Wrench  
(Included)



Phillips  
Screwdriver  
(Not Included)



2 - Persons  
Recommended

## ASSEMBLY RATING



EASY ————— DIFFICULT

The Assembly Rating is a 5-point system showing the level of effort needed to assemble a specific product.



## **CHECK BEFORE STARTING**

### **Are you missing anything?**

Double-check all parts, hardware and accessories listed on Page 6 are accounted for.

### **Check out our Quick Tips!**

We recommend reviewing the pre-assembly handouts. Even experts need a refresher now and then!

### **Should we send any replacements?**

Are there any irregularities or flaws in the parts? We can send replacements!

### **Prep Time!**

Please review the assembly instructions and all diagrams prior to assembling. Set up your workspace by laying the parts and hardware out separately, then begin!

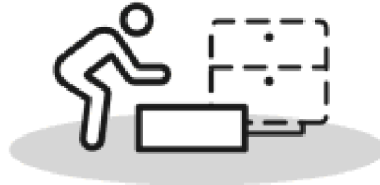
# PRE ASSEMBLY INTRODUCTION

We understand building ready-to-assemble furniture can be a challenging experience for some. To help avoid confusion, we have provided some helpful tips that may speed up the process.



## Teamwork

ALWAYS have at least two people to help with transporting and assembling the product to avoid potential injury and/or damage.



## Suitable Location

Assembling near the area of the intended location is highly recommended.



## Sufficient Space

Make sure you have enough space to move around during the assembly.



## Avoid Scratches

Use cardboard, blankets or a carpeted area while assembling furniture to prevent scratches.



## Flat Surface

Make sure the furniture rests on a flat and level surface with each leg evenly touching the floor.

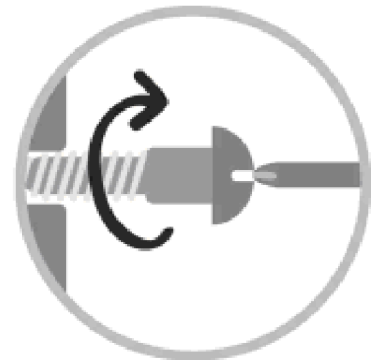
# ASSEMBLY AND CARE ADVICE



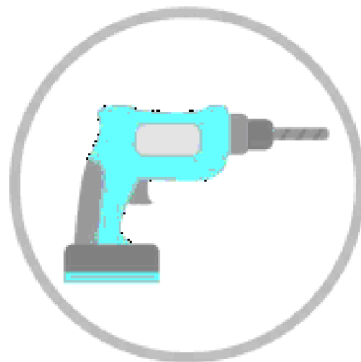
**FAILURE TO FOLLOW THE GUIDELINES BELOW MAY RESULT IN INJURY AND/OR PROPERTY DAMAGE.**



Position each part correctly and insert screws or bolts into their respective holes.



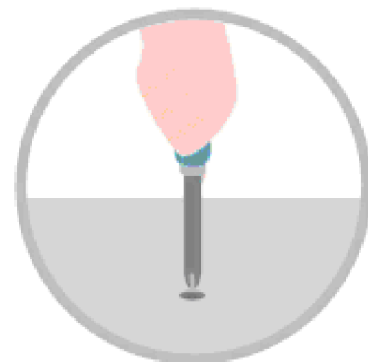
Turn clockwise to tighten and only tighten when step is completed or when instructed to do so.



Use the appropriate hand tools or power tools for assembly. Select steps, such as tightening screws and/or bolts, may require hand tools to avoid causing damage during assembly.



Save the instructions and store any supplied tools for later maintenance.



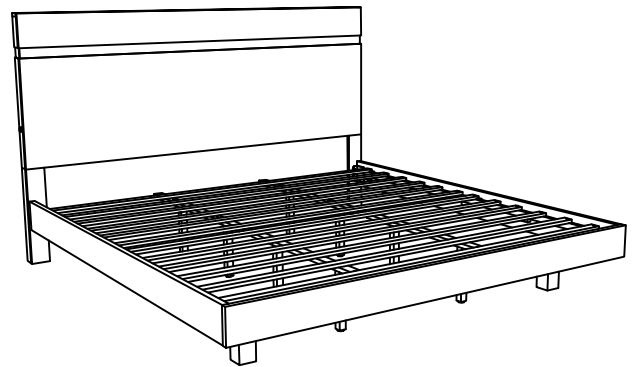
After two weeks, check and tighten any loose hardware and repeat again every six months thereafter.

**IT IS THE USER'S RESPONSIBILITY TO MAINTAIN THE FURNITURE. THE HARDWARE MAY LOOSEN OVER TIME AND MAY CAUSE THE FURNITURE TO BE WOBBLY AND UNABLE TO SUPPORT ITS INTENDED WEIGHT CAPACITY. THIS MAY LEAD TO COLLAPSE AND MAY CAUSE SERIOUS INJURY.**



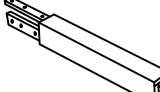
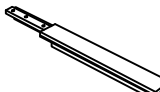

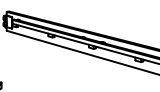
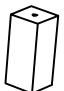




# EASTERN KING SIZE BED



• Please keep instructions for future reference.  
 • Check the quantity and irregularity of parts and hardware before you start.



## PARTS

① 1pc  Headboard	② 1pc  Footboard	③ 1pc  Headboard Leg (L)	④ 1pc  Headboard Leg (R)	⑤ 1pc  Side Rail (L)	⑥ 1pc  Side Rail (R)
⑦ 2pcs  Side Rails Leg	⑧ 1pc  Side Rails Leg Support	⑨ 12pcs  Bed Slats -1951 x 45 x 18mm	⑩ 2pcs  Center Slats -983 x 45 x 18mm	⑪ 8pcs  Bed Slat Support -248 x 30 x 30mm	

## HARDWARE

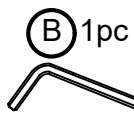
### HARDWARE INSIDE HEADBOARD

Ⓐ 12pcs

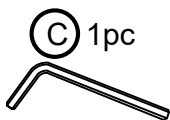


CSK m4 x 25mm

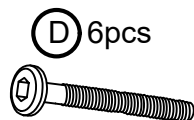
### HARDWARE INSIDE SIDE RAILS



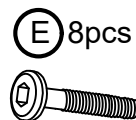
Allen Key M4



Allen Key M5



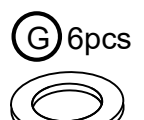
Bolt 1/4" x 2 9/8"



Bolt 1/4" x 2"



Lock washer



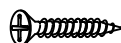
Flat washer

Ⓗ 8pcs



Barrel Nut

Ⓘ 24pcs



CSK m4 x 32mm

Ⓙ 4pcs



CSK m4 x 50mm

Ⓚ 2pcs



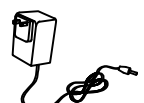
CSK m4 x 16mm

Ⓛ 1pc




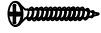
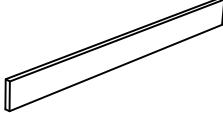
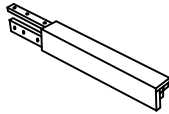
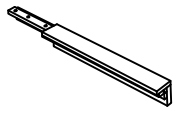
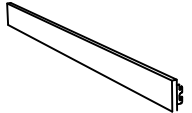
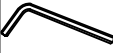
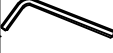












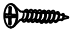
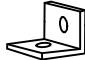
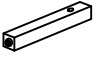

L-Bracket

Ⓜ 1pc



Adepter

## packed in 2 cartons

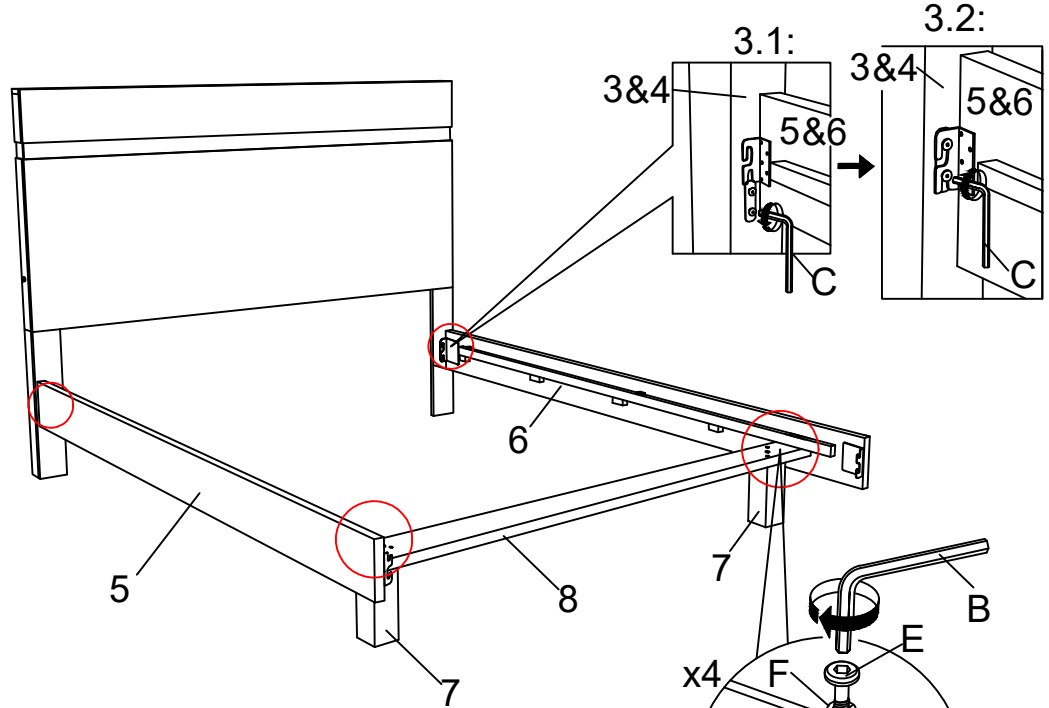
Carton	Designation			Hardware
	<b>E-King Size Bed HB, FB &amp; HB Legs</b>	1	 X 1	 A x 12pcs
2		 X 1		
3		 X 1		
4		 X 1		
	<b>E-King Size Bed Rails</b>	5	 X 1	 B x 1pc  C x 1pc
6		 X 1	 D x 6pcs	
7		 X 2	 E x 8pcs  F x 6pcs	
8		 X 1	 G x 6pcs  H x 8pcs	
9		 X 12	 I x 24pcs  J x 4pcs	
10		 X 4	 K x 2pcs  L x 1pc	
11		 X 8	 M x 1pc	



# ASSEMBLY INSTRUCTIONS

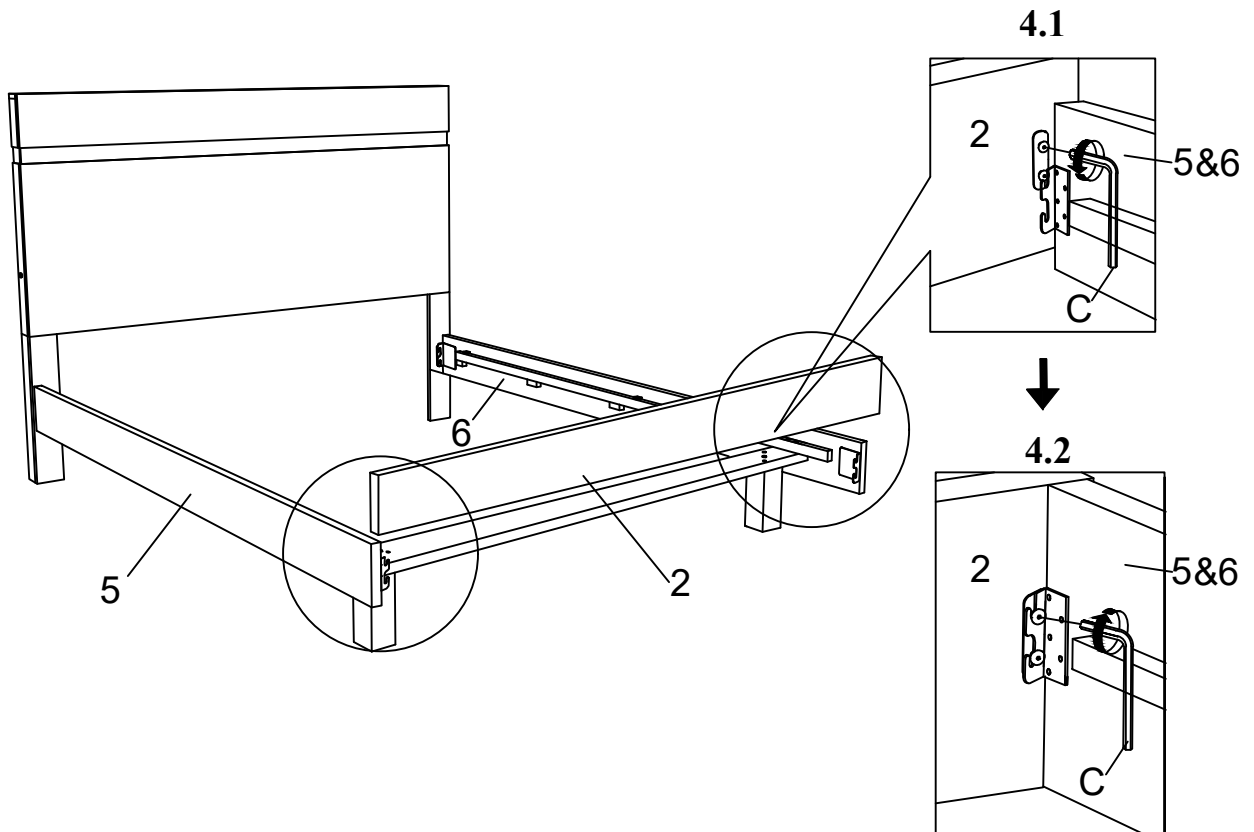
**3**

- Part ⑤ x 1pc
- Part ⑥ x 1pc
- Part ⑦ x 2pcs
- Part ⑧ x 1pc
- Hardware ④ x 4pcs
- Hardware ⑤ x 4pcs
- Hardware ⑥ x 4pcs



**4**

- Part ② x 1pc



# ASSEMBLY INSTRUCTIONS

## 5

Part ⑨ x 12 pcs

Part ⑩ x 2 pcs

Part ⑪ x 4 pcs

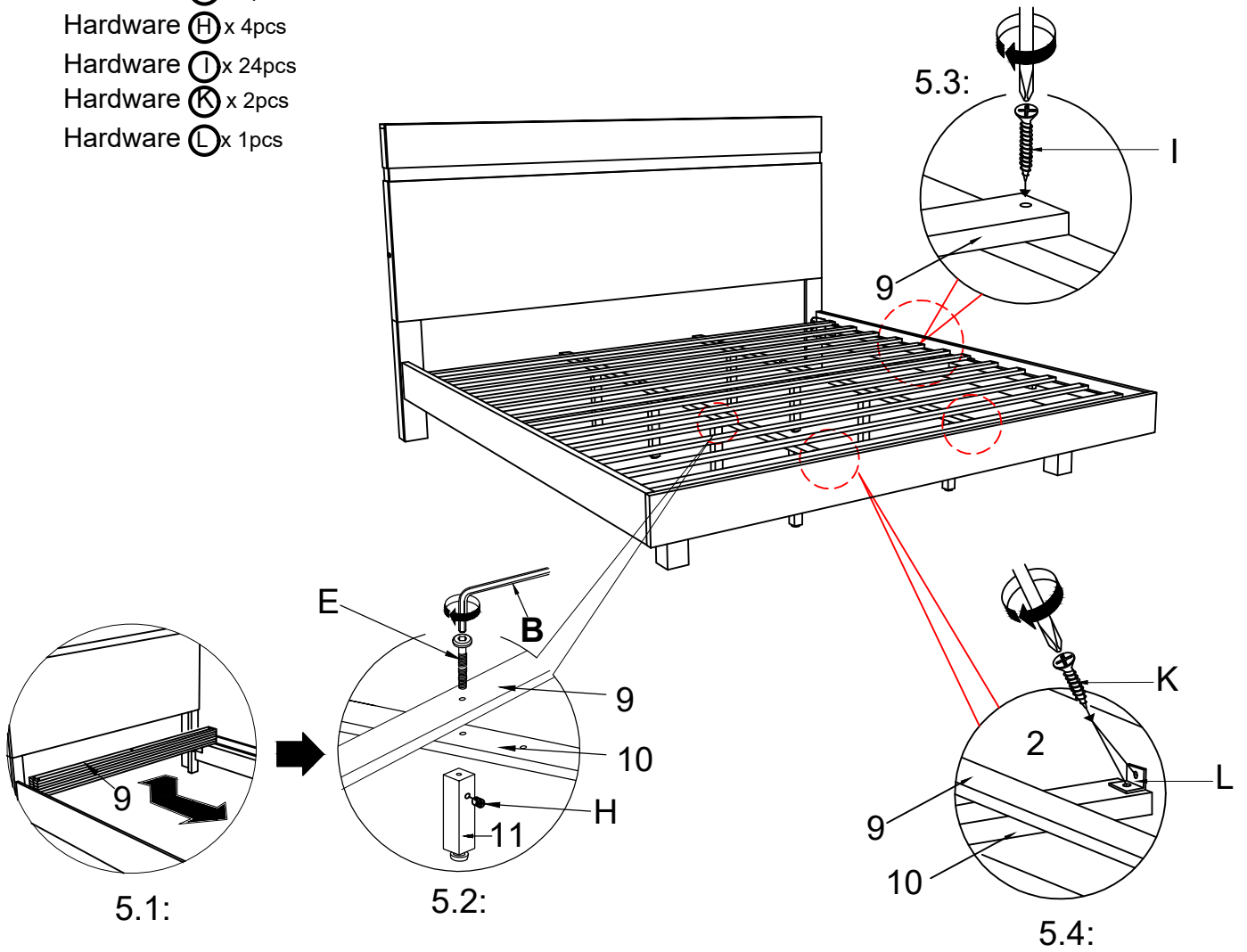
Hardware ⑤ x 4 pcs

Hardware ⑥ x 4 pcs

Hardware ⑦ x 24 pcs


Hardware ⑧ x 2 pcs

Hardware ④ x 1 pcs

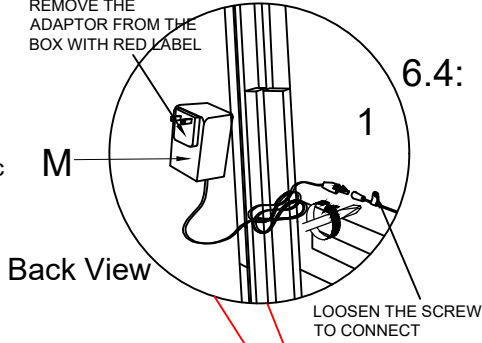


# ASSEMBLY INSTRUCTIONS

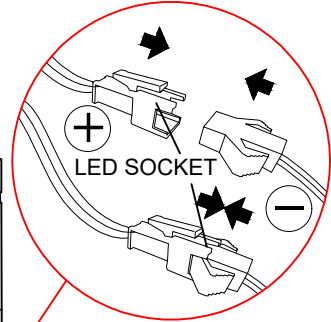
6

Hardware  x 1pc

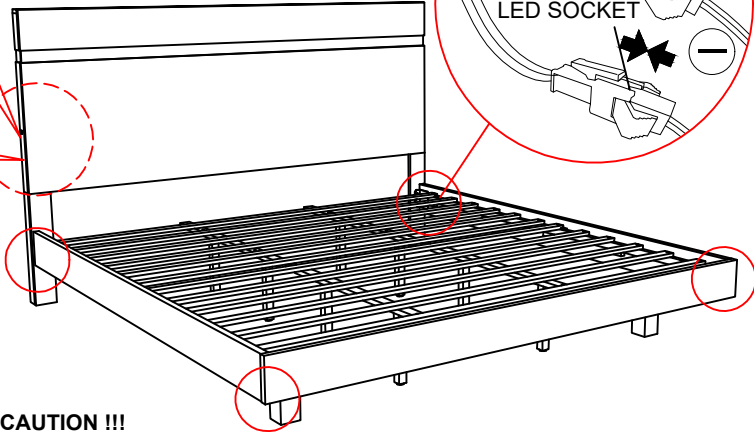
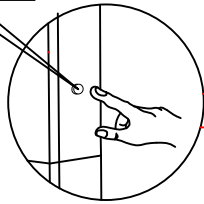
REMARK!!  
REMOVE THE  
ADAPTOR FROM THE  
BOX WITH RED LABEL



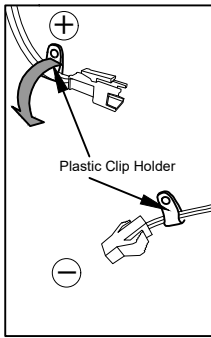
6.1:



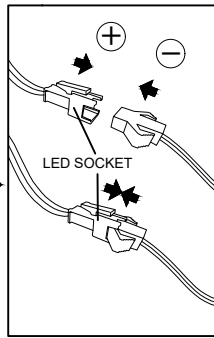
ON & OFF TOUCH  
SWITCH BUTTON



6.2:

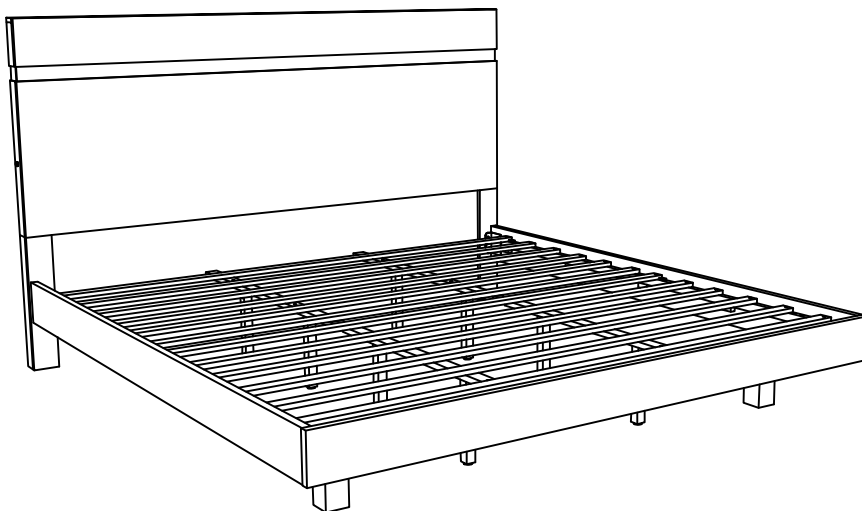


6.3:



**CAUTION !!!**  
**PLEASE**  
**CONNECT THE**  
**LED TERMINAL**  
**SOCKET**  
**AFTER FIT IN THE**  
**HOOK PART**  
**AS SHOWN.**

**PLEASE LOOSEN PLASTIC CLIP  
HOLDER SCREW BEFORE  
CONNECT**



## ASSEMBLY COMPLETED



Please ensure the furniture rests on an even and flat surface. If the product wobbles or feels loose, double-check all bolts and/or screws are properly tightened and secured.



### Keep this handy!

Please retain this instruction manual and any order-related information for future reference.



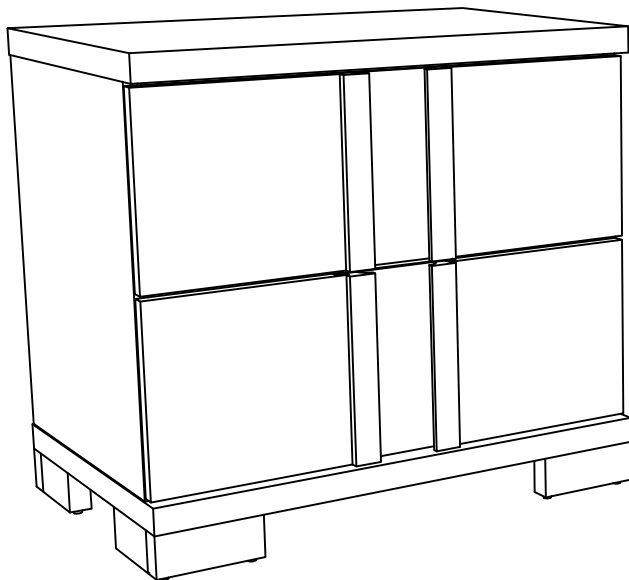
### Lift, don't drag!

To avoid damage to product please always LIFT the product when transporting or adjusting the placement.

This product is intended for RESIDENTIAL USE ONLY and not for commercial use.

# ASSEMBLY INSTRUCTIONS

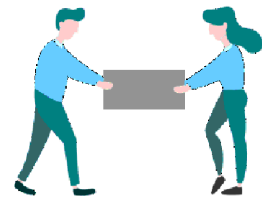
---



## TOOLS REQUIRED

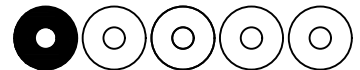


Phillips  
Screwdriver  
(Not Included)



2 – Persons  
Recommended

## ASSEMBLY RATING



EASY ————— DIFFICULT

The Assembly Rating is a 5-point system showing the level of effort needed to assemble a specific product.



## **CHECK BEFORE STARTING**



### **Are you missing anything?**

Double-check all parts, hardware and accessories listed on Page 6 are accounted for.



### **Check out our Quick Tips!**

We recommend reviewing the pre-assembly handouts. Even experts need a refresher now and then!



### **Should we send any replacements?**

Are there any irregularities or flaws in the parts? We can send replacements!



### **Prep Time!**

Please review the assembly instructions and all diagrams prior to assembling. Set up your workspace by laying the parts and hardware out separately, then begin!

# PRE ASSEMBLY INTRODUCTION

We understand building ready-to-assemble furniture can be a challenging experience for some. To help avoid confusion, we have provided some helpful tips that may speed up the process.



## Teamwork

ALWAYS have at least two people to help with transporting and assembling the product to avoid potential injury and/or damage.



## Suitable Location

Assembling near the area of the intended location is highly recommended.



## Sufficient Space

Make sure you have enough space to move around during the assembly.



## Avoid Scratches

Use cardboard, blankets or a carpeted area while assembling furniture to prevent scratches.



## Flat Surface

Make sure the furniture rests on a flat and level surface with each leg evenly touching the floor.

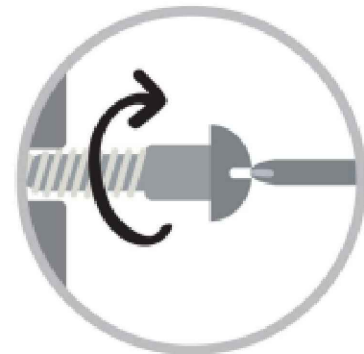
# ASSEMBLY AND CARE ADVICE



**FAILURE TO FOLLOW THE GUIDELINES BELOW MAY RESULT IN INJURY AND/OR PROPERTY DAMAGE.**



Position each part correctly and insert screws or bolts into their respective holes.



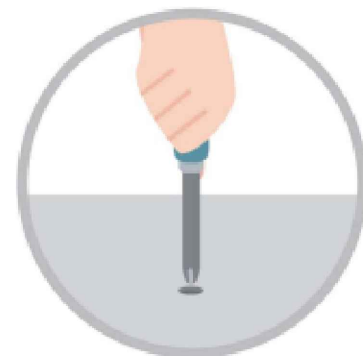
Turn clockwise to tighten and only tighten when step is completed or when instructed to do so.



Use the appropriate hand tools or power tools for assembly. Select steps, such as tightening screws and/or bolts, may require hand tools to avoid causing damage during assembly.



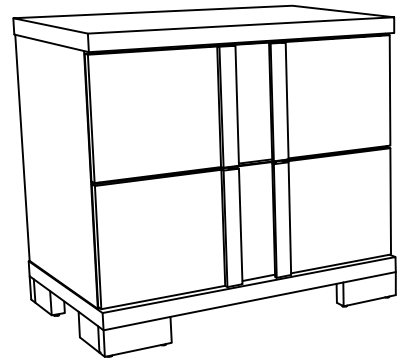
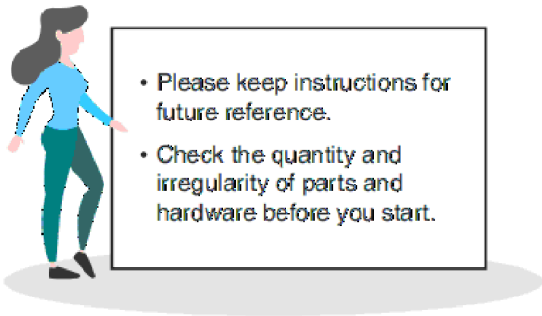
Save the instructions and store any supplied tools for later maintenance.



After two weeks, check and tighten any loose hardware and repeat again every six months thereafter.

**IT IS THE USER'S RESPONSIBILITY TO MAINTAIN THE FURNITURE. THE HARDWARE MAY LOOSEN OVER TIME AND MAY CAUSE THE FURNITURE TO BE WOBBLY AND UNABLE TO SUPPORT ITS INTENDED WEIGHT CAPACITY. THIS MAY LEAD TO COLLAPSE AND MAY CAUSE SERIOUS INJURY.**

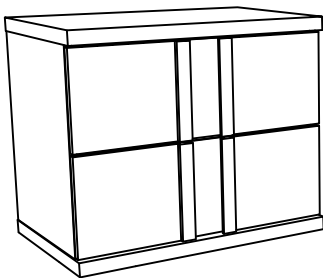
# Nightstand



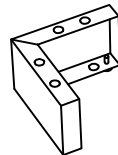
## PARTS

① 1pc

② 4pcs



Nightstand



Leg

## HARDWARE

Ⓐ 16pcs



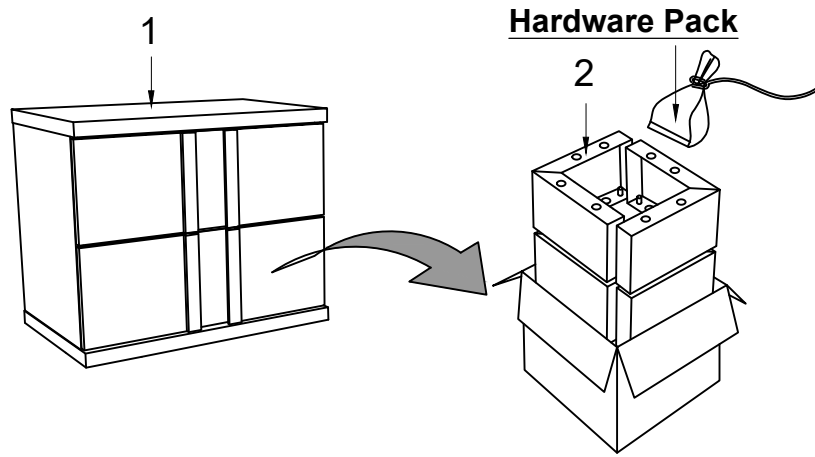
Pan Head Screw  
m3.5 x 16mm

# ASSEMBLY INSTRUCTIONS

1

Part ① x1pc

Part ② x4pcs



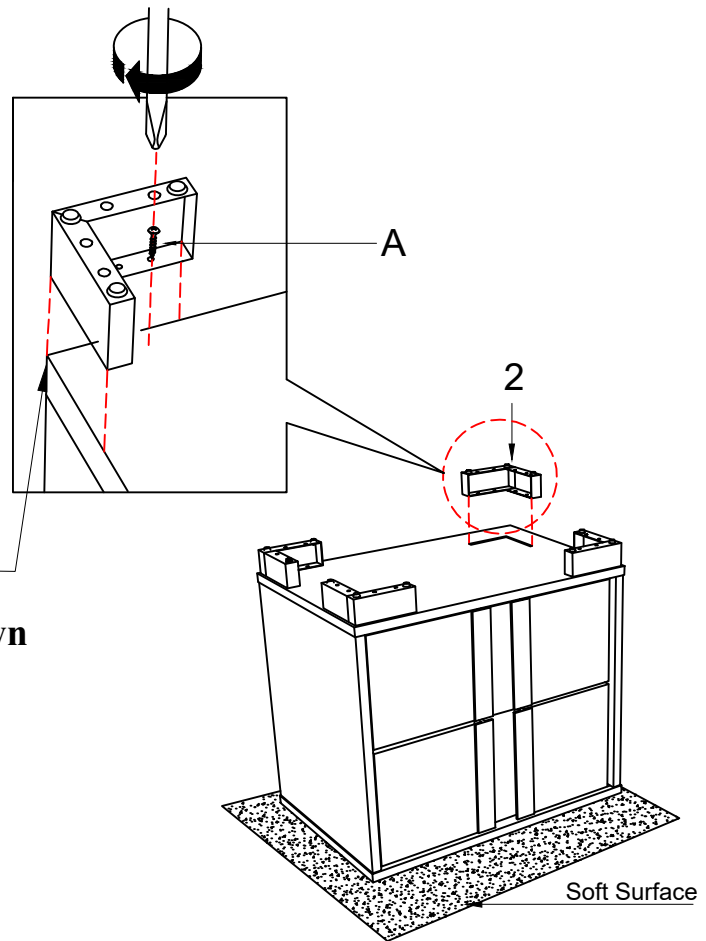
2

Part ② x4pcs

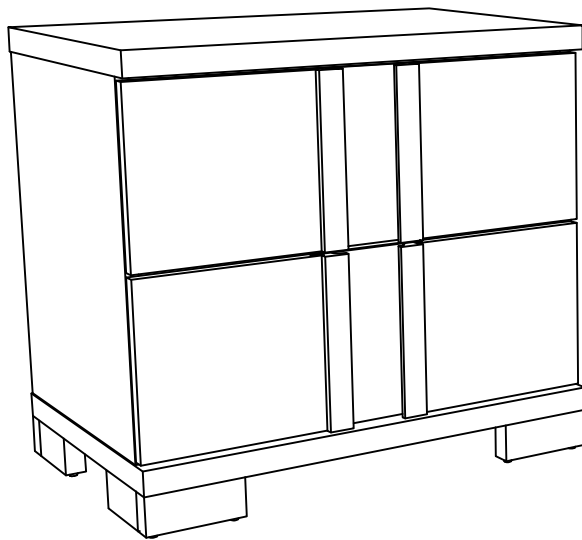
Hardware ① x16pcs

Remark : Turn the Night Stand to upside down position as shown.

**Remark : Assemble Must Parellel as Shown**



# ASSEMBLY INSTRUCTIONS



## ASSEMBLY COMPLETED



Please ensure the furniture rests on an even and flat surface. If the product wobbles or feels loose, double-check all bolts and/or screws are properly tightened and secured.

### ✓ **Keep this handy!**

Please retain this instruction manual and any order-related information for future reference.

### ✓ **Lift, don't drag!**

To avoid damage to product please always LIFT the product when transporting or adjusting the placement.

This product is intended for RESIDENTIAL USE ONLY and not for commercial use.