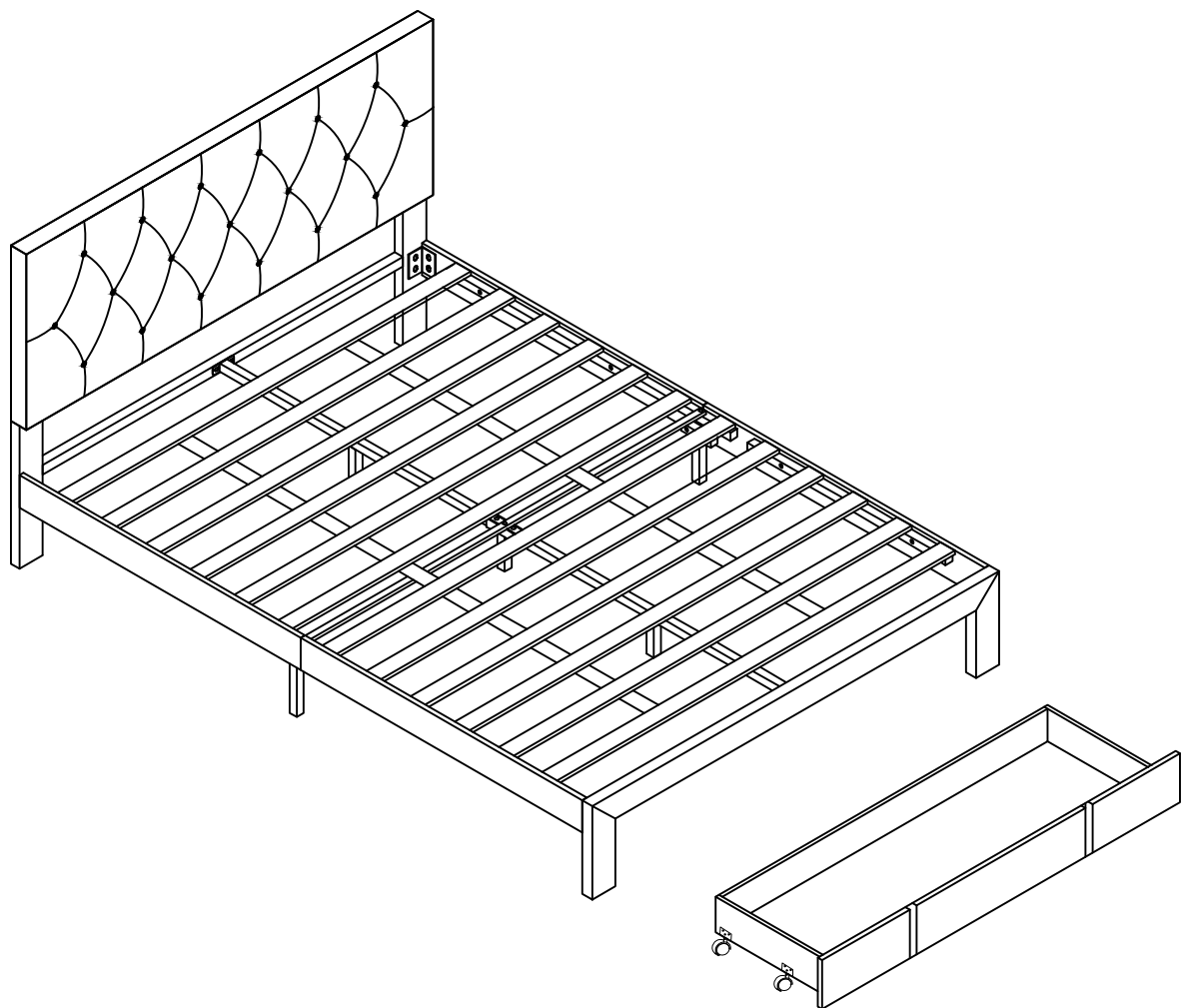
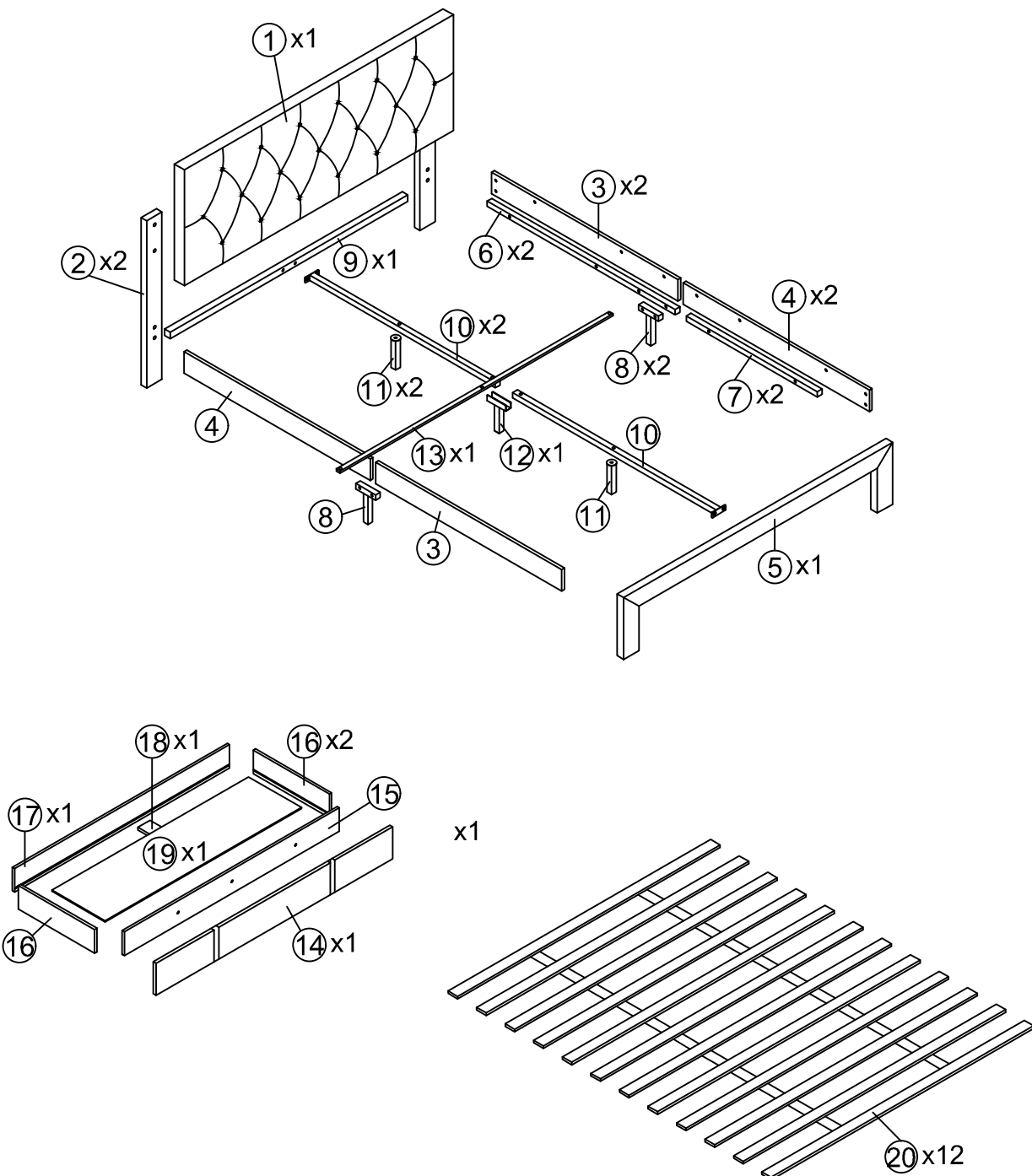


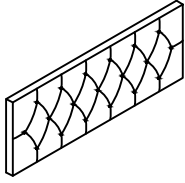
ASSEMBLY INSTRUCTION



Detail View



1



Head board -1pc

2



Head board legs -2pcs

3



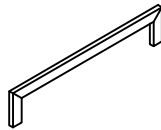
Siderails -2pcs

4



Siderails -2pcs

5



Foot board -1pc

6



Side rails support bar -2pcs

7



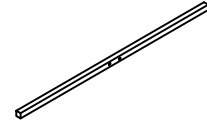
Side rails support bar -2pcs

8



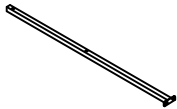
Side rails support legs -2pcs

9



Head board cross bar -1pc

10



Center support bar -2pcs

11



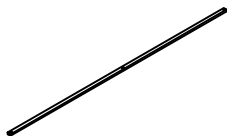
Middle support leg -2pcs

12



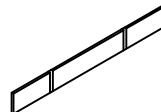
Connected support leg -1pc

13



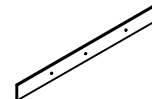
Cross bar -1pc

14



Drawer outer board -1pc

15



Drawer board -1pc

16



Drawer board -2pcs

17



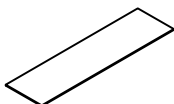
Drawer board -1pc

18



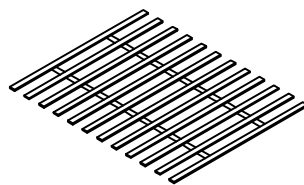
Drawer support bar -1pc

19








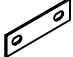


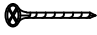




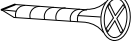


Drawer bottom board -1pc

20



Slats -12pcs

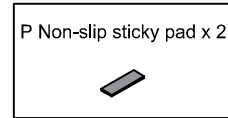
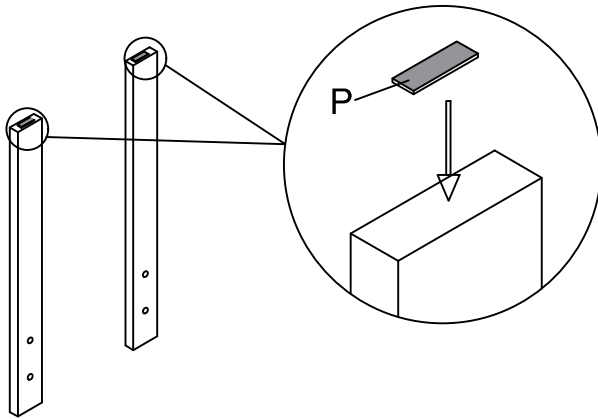
Hardware List

| | | |
|---|---|---|
| A  | B  $\phi 8 \times 50 \text{mm}$ | C  $\phi 8 \times 16 \text{mm}$ |
| Allen Key (2pcs) | Bolts (4pcs) | Bolts (24pcs) |
| D  $\phi 8 \times 40 \text{mm}$ | E  | F  |
| Bolts (23pcs) | Washer (8pcs) | Two hole iron (2pcs) |
| G  | H  | I  $\phi 4 \times 30 \text{mm}$ |
| "7" Connector (4pcs) | Nuts (4pcs) | Nails (4pcs) |
| J  $\phi 8 \times 30 \text{mm}$ | K  | L  |
| Bolts (3pcs) | Spanner (1pc) | Drawer fittings (12pcs) |
| M  | N  $\phi 3 \times 16 \text{mm}$ | O  |
| Drawer fittings (12pcs) | Nails (12pcs) | Drawer wheel (4pcs) |
| P  | | |
| Non-slip sticky pad (2pcs) | | |

Attention: Do not tighten the screws before completing the entire installation. If you have any difficulty with the installation process, please feel free to contact us.

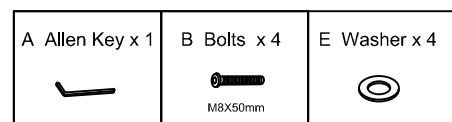
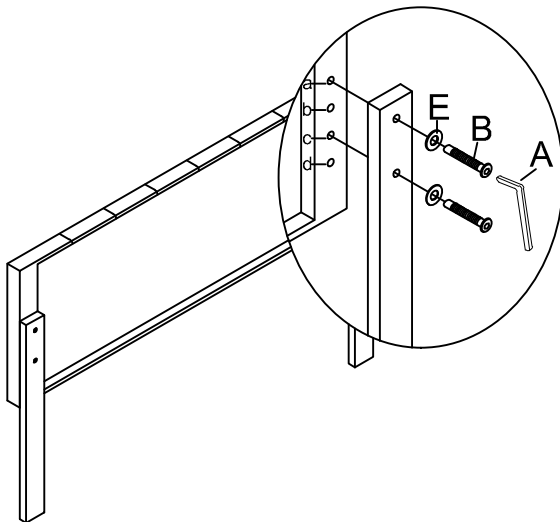
Step 1 x2

Stick the Non-slip sticky pad P to the Headboard legs ②.



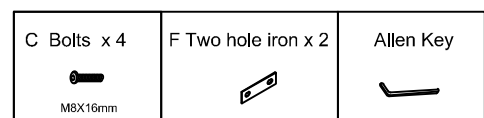
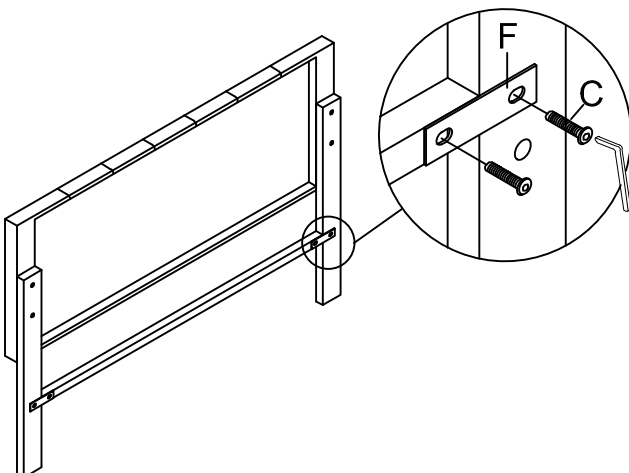
Step 2 x2

Fix the Headboard legs ② to the Headboard ① with Bolt B and washer E by using Allen key A. You can chose the hole a and c ,or b and d.



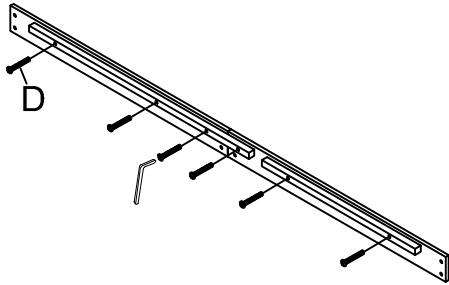
Step 3 x2



Fix the Headboard cross bar ⑨ to the Headboard legs ② with Bolt C and Two hole iron F by using Allen key A.



Step 4 x2

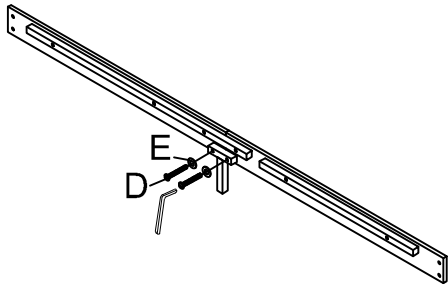
Connect Siderails ③ and ④ to Siderail support bar ⑥ and ⑦ with Bolts D by using Allen key A.






| | |
|--|--|
| D Bolts x 12  M8X40mm | Allen Key  |
|--|--|

Step 5 x2

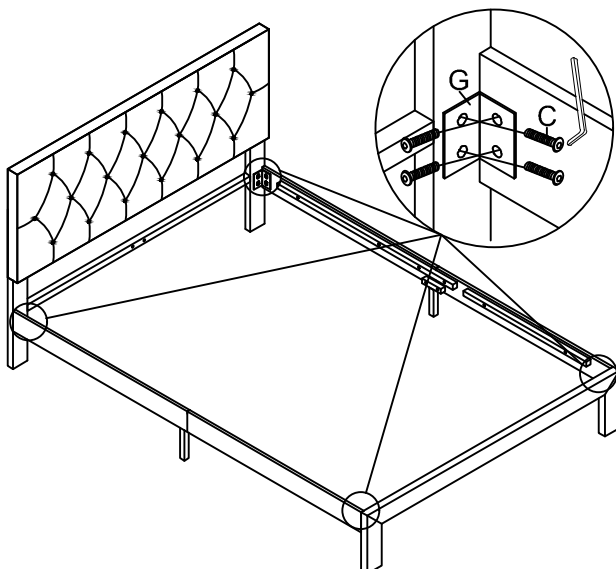
Fix the Siderail support leg ⑧ to the assembled siderail with Bolt D and Washer E by using Allen key A.



| | | |
|---|---|--|
| D Bolts x 4  M8X40mm | E Washer x 4  | Allen Key  |
|---|---|--|

Step 6

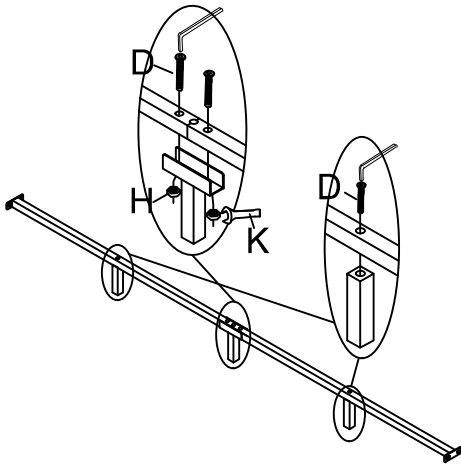
Fix the assembled siderail to the Headboard legs ② and footboard ⑤ with Bolt C and "7" Connector by using Allen key A.







| | | |
|--|--|--|
| C Bolts x 16  M8X16mm | G "7" Connector x 4  | Allen Key  |
|--|--|--|

Step 7

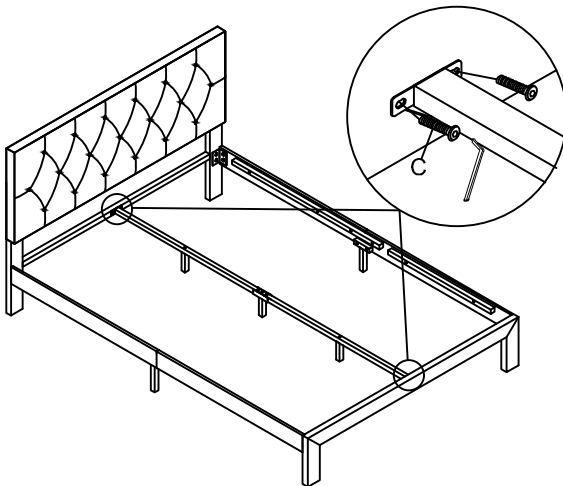
Fix the Middle support leg ⑪ to the Center support bar ⑩ with Bolt D by using Allen key A. Fix connected support leg ⑫ to the Center support bar with Bolt D and Nuts H by using Spanner K.





| | | | |
|--|---|--|--|
| D Bolts x 4  M8X40mm | H Nuts x 2  | K Spanner x 1  | Allen Key  |
|--|---|--|--|

Step 8

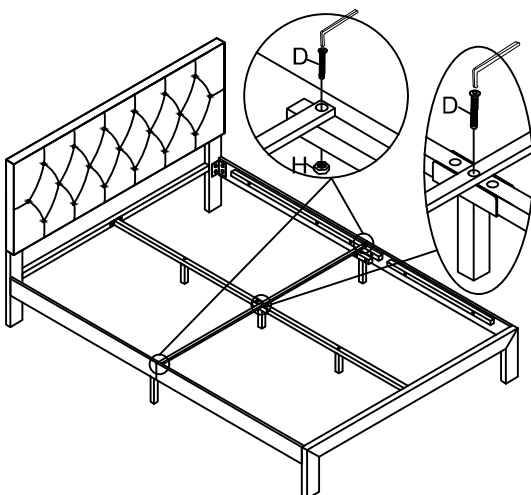
Fix the Center support bar to the Headboard cross bar ⑨ and Footboard ⑤ with Bolt C by using Allen key A.






| | |
|---|--|
| C Bolts x 4  M8X16mm | Allen Key  |
|---|--|

Step 9

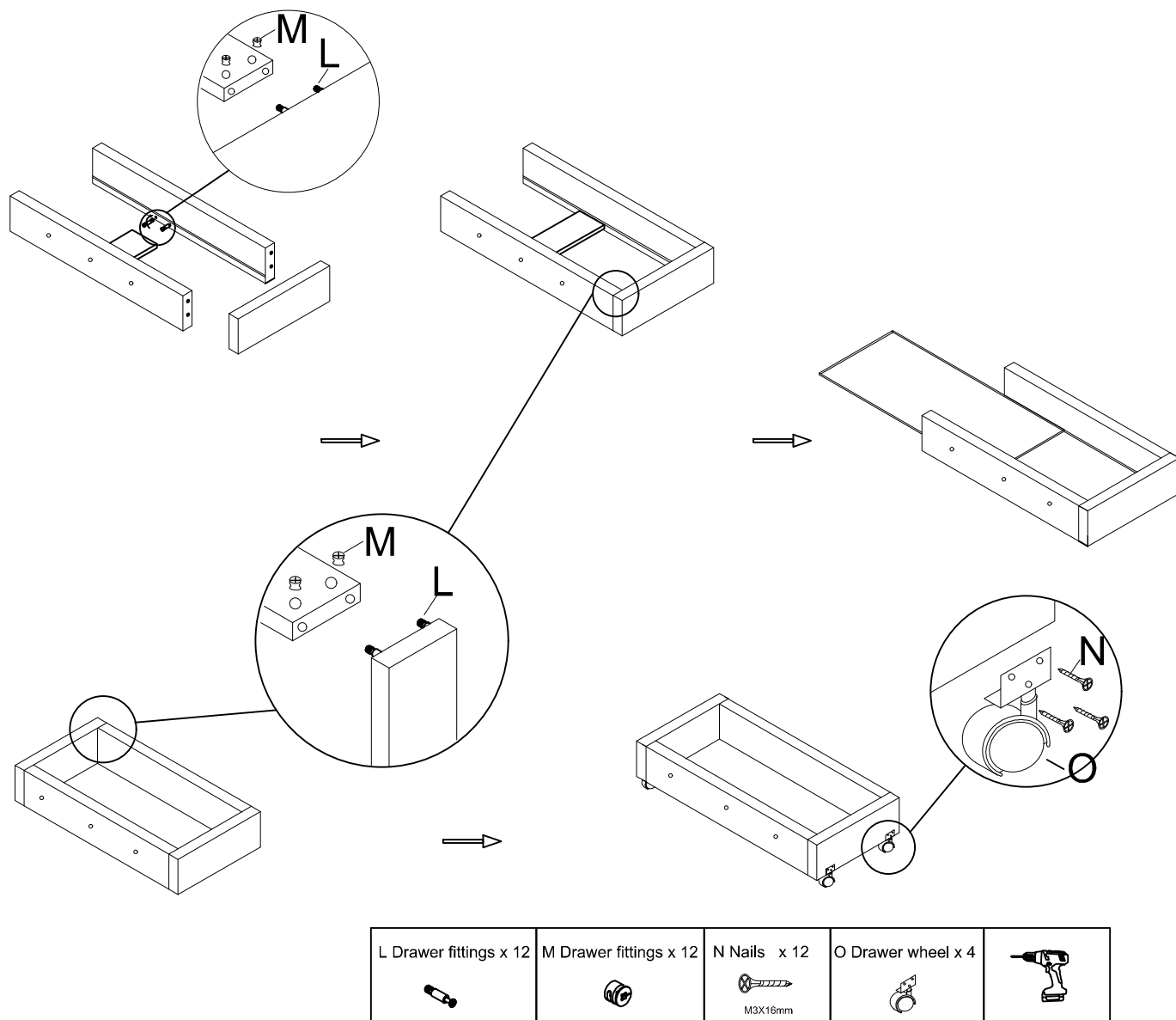
Fix the Cross bar ⑬ to the Siderails bar and Center support bar with Bolt D and Nuts H by using Allen key A.



| | | |
|---|---|--|
| D Bolts x 3  M8X40mm | H Nuts x 2  | Allen Key  |
|---|---|--|

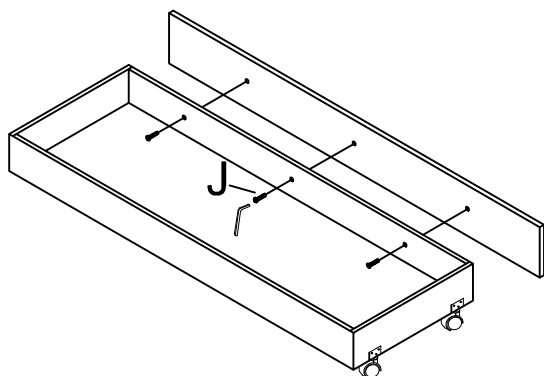
Step 10

Assembled the Drawer with Drawer fittings L and M. Fix the Drawer wheel O with Nails N by using Electric drill or Screw driver.



Step 11

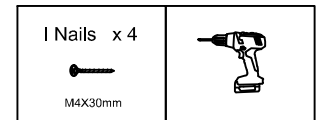
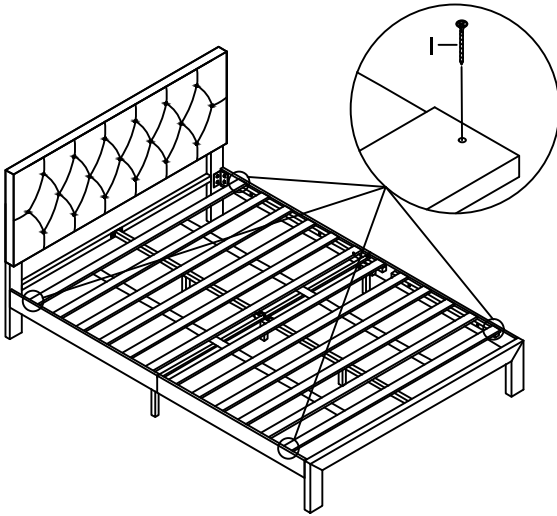
Fix Drawer outer board 14 to the drawer with Bolt J by using Allen key A.



| | |
|------------------------|-----------|
| J Bolts x 3 M8X30mm | Allen Key |
|------------------------|-----------|

Step 12

Fix the Slats to the Siderail support bar with Nail I by using Electric drill or Screw driver.



Step 13

Push the drawers into the bed, then assembly is finished.

