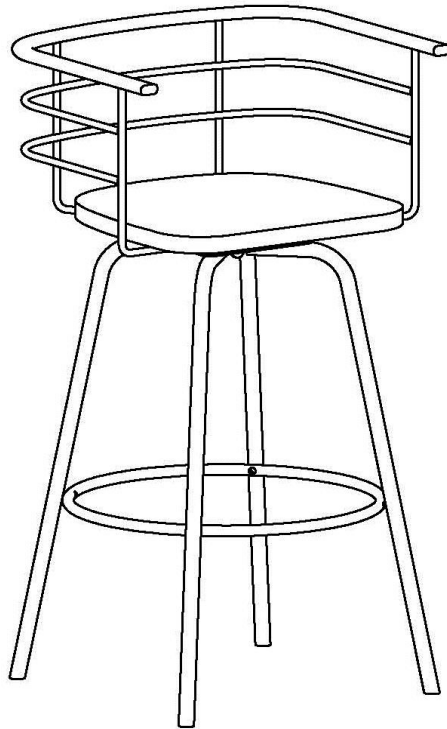


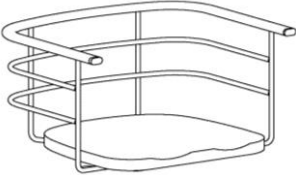


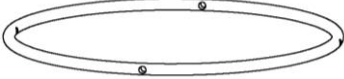
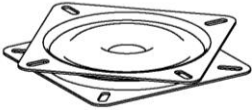
Assembly Instructions

Caution: You must read this before you proceed



Barstool



Part List

Label	Picture	Description	QTY
A		Stool Top	1
B		Upper Leg Frame (with Pre-installed Levelers)	1
C		Lower Leg Frame (with Pre-installed Levelers)	1
D		Metal Ring	1
E		Rotary Turntable	1

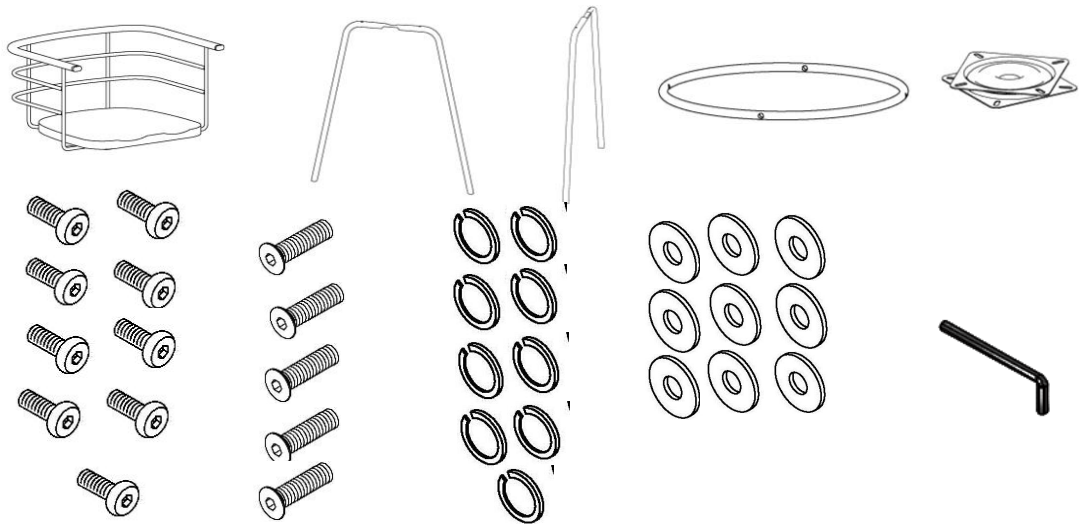
Hardware

Label	Picture	Description	QTY
①		Bolt (M6*12mm)	9
②		Bolt (M6*28mm)	5

③		Washer	9
④		Spring Washer	9
⑤		Allen Key	1

Assembly Preparation

Before Beginning Assembly:



- Read instructions, cover to cover-



- Have 2 adults on hand for assembly-



- Do not assemble on flooring or carpet-

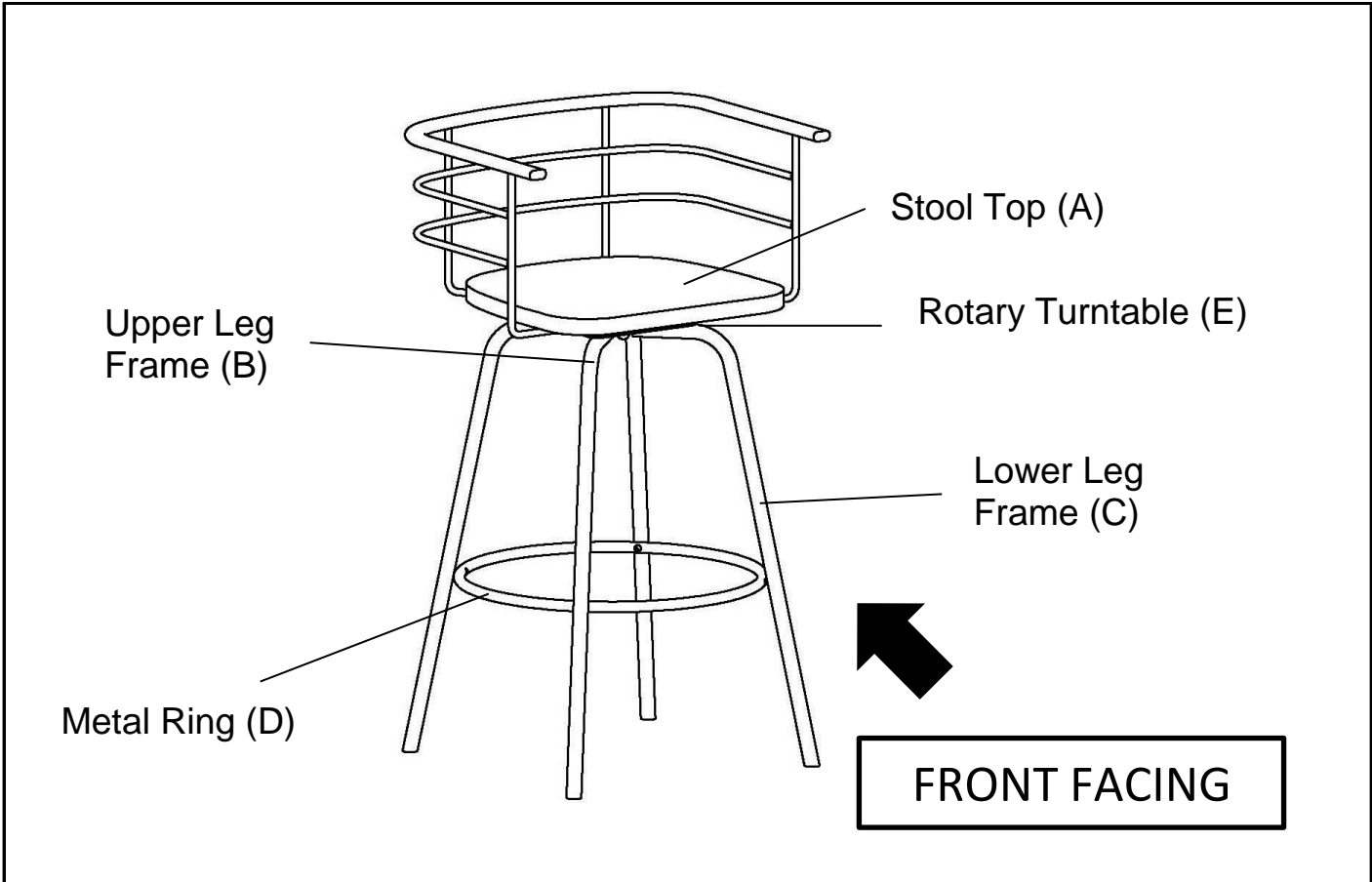


- Assemble on a clean non-marring surface (packing foam)-



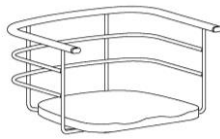
- Save all packaging until finished-

Assembly Steps



This Bar Stool has multiple parts and may require up to 30 minutes to assemble. To give you an overview of the Stool, the above picture is to help you put the various parts into perspective. Please read through the instructions below to familiarise yourself with the parts and steps before assembly.

Step 1



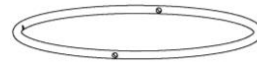
A



B



C



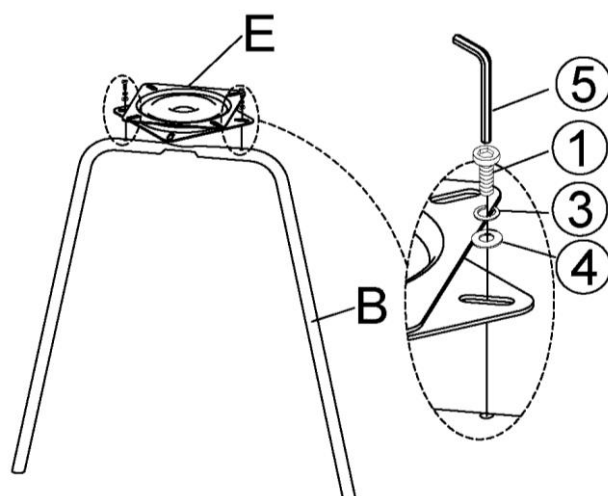
D



E

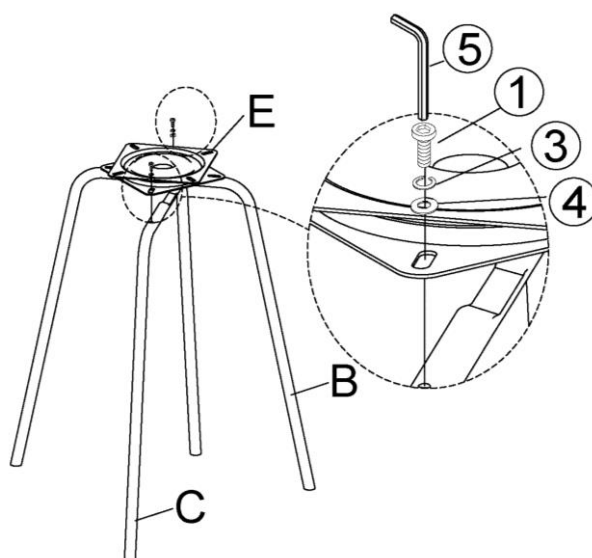
Place the Stool Top(A), Upper Leg Frame(B), Lower Leg Frame(C), Metal Ring(D) and Rotary Turntable(E) onto a clean, non-marring surface.

Step 2



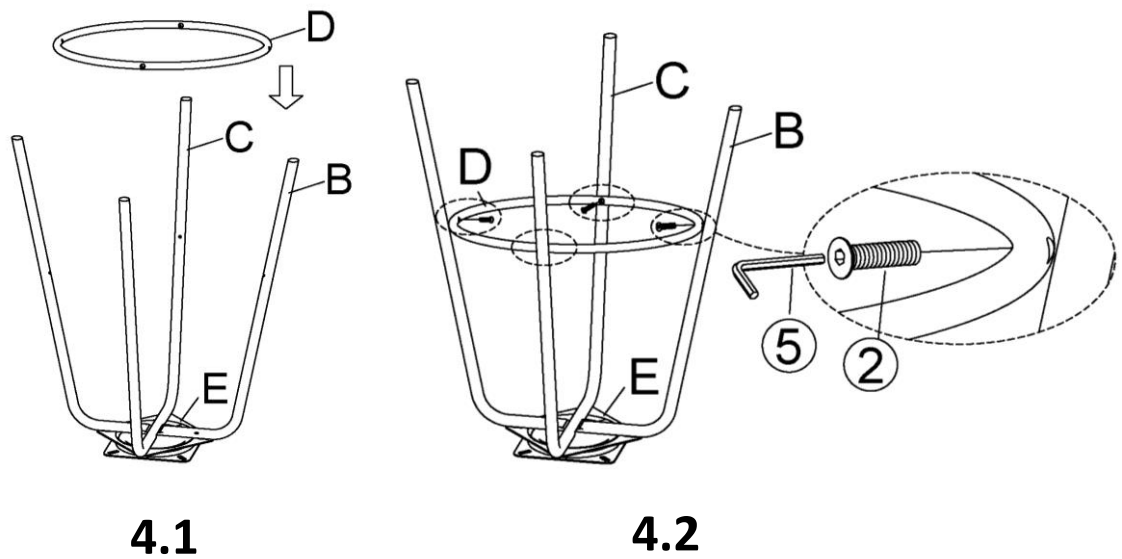
Attach Rotary Turntable(E) to Upper Leg Frame(B) using Bolts(①), Washers(③) and Spring Washers(④) with Allen Key(⑤) as shown above.
Do not fully tighten the Bolts.

Step 3



Attach Rotary Turntable(E) to Lower Leg Frame(C) using Bolts(①), Washers(③) and Spring Washers(④) with Allen Key(⑤) as shown above.
Do not fully tighten the Bolts.

Step 4

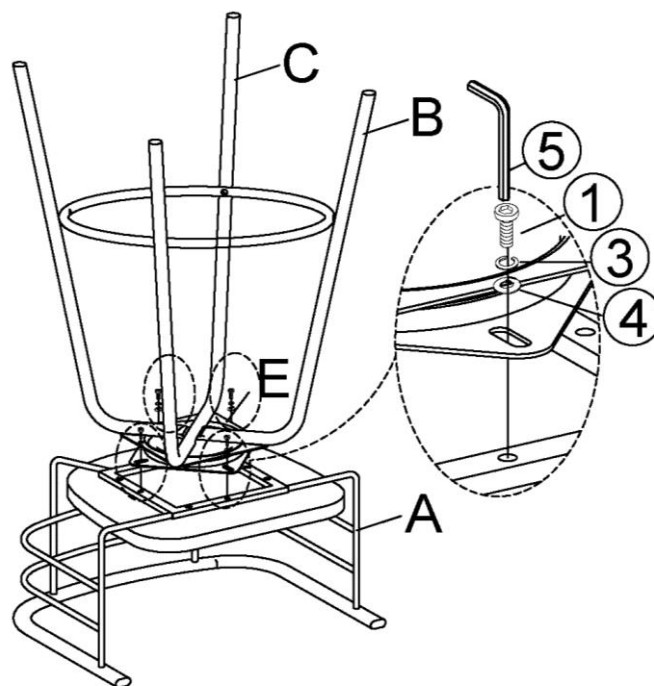


4.1) Align Metal Ring(D) to Upper Leg Frame(B) and Lower Leg Frame(C) as shown above.

4.2) Attach Metal Ring(D) to Upper Leg Frame(B) and Lower Leg Frame(C) using Bolts(2) with Allen Key(5) as shown above.

Tighten the Bolts fully.

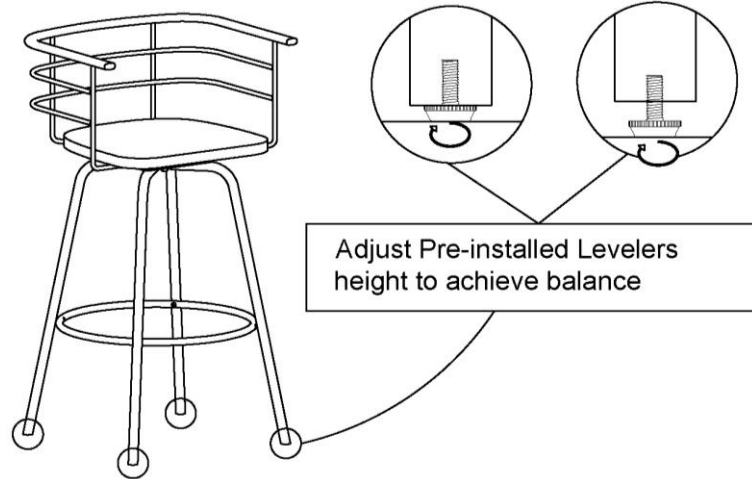
Step 5



Attach Upper Leg Frame(B) and Lower Leg Frame(C) to Stool Top(A) using Bolts(①), Washers(③) and Spring Washers(④) with Allen Key(⑤) as shown above.

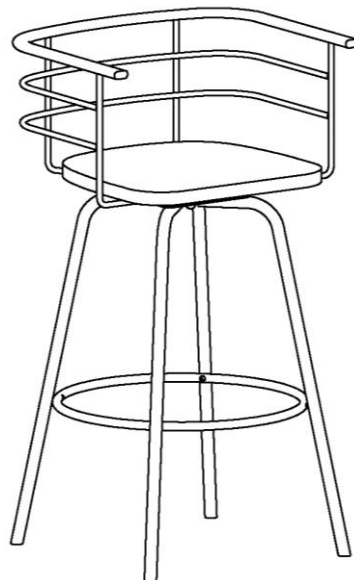
Fully tighten all Bolts at all joints.

Step 6













Stand the Bar Stool up.
Adjust the Pre-installed Levelers at the bottom of the Upper Leg Frame(B) and Lower Leg Frame(C) until the Stool is level with the ground.

Step 7



Your Bar Stool is ready for use.
This Bar Stool can only be used on a flat, level surface.

Care & Maintenance

-  Do not put hot items directly on furniture surface
 -  Do not clean furniture with harsh cleansers or polish.
 -  Do not place furniture under direct sunlight.
 -  Do not place furniture near heating or cooling vents.
 -  Do not write on furniture without a padded barrier to protect the surface.
 -  Do not place furniture outside . For indoor use only .
 -  Not for commercial use. For residential use only .
 -  Stains may be removed with mild soap solution and damp cloth.
 -  Children should not climb or jump on the furniture.
-
-  Dust and pick-up spills using a clean, non-colored, lint-free cloth .