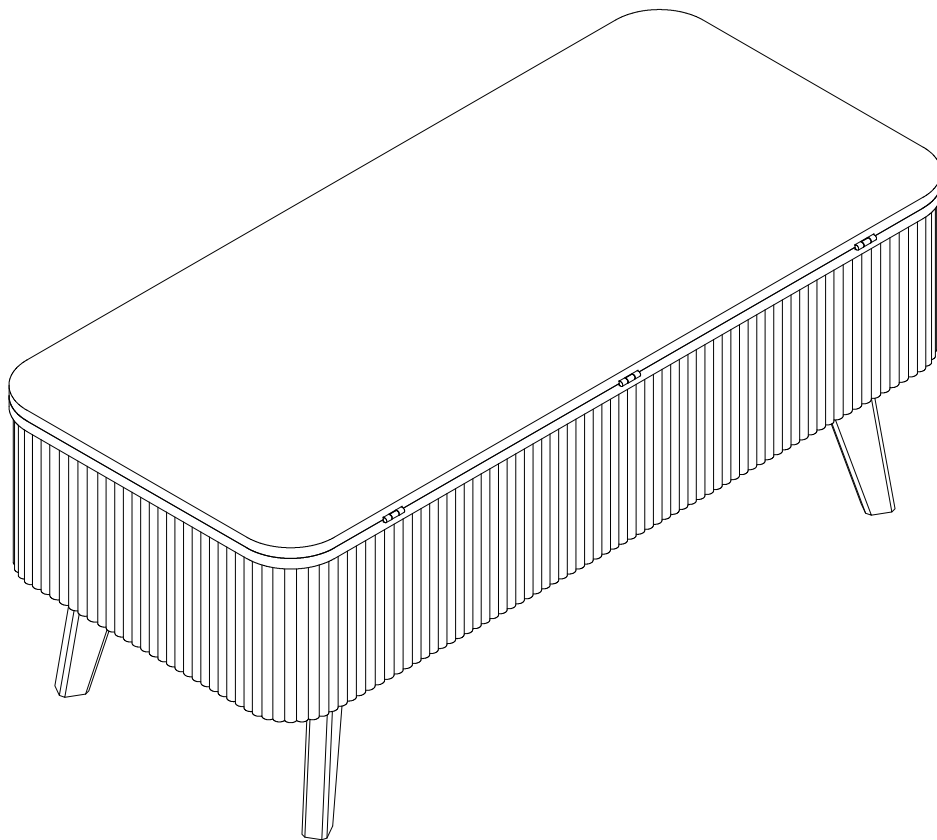


Assembly Instructions

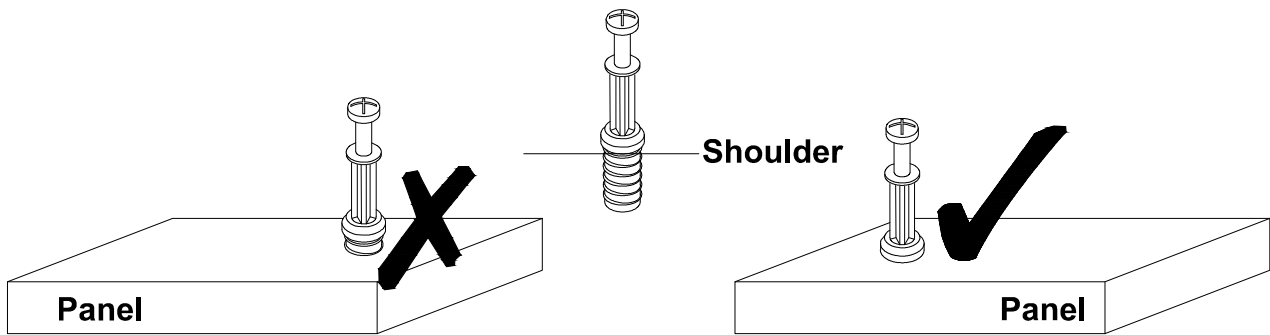


Before Assembly

Tips Before Your Start:

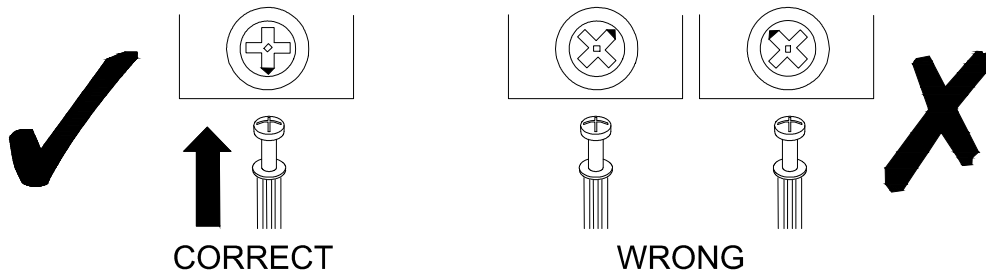
- Remove all wrapping material, including staples & packing straps before you start to assemble.
- DO NOT tighten all screws and bolts until the assembly is completely assembled.
- Keep all hardware parts out of reach of children.

QUICKFIT



Tighten quickfit until shoulder is flush with panel. Do not overtighten or undertighten.

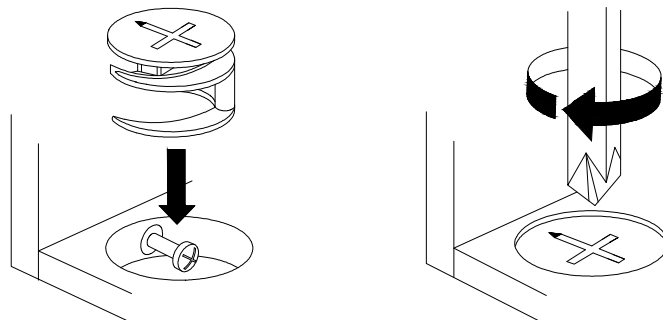
CAM LOCK



When fitting a cam lock, ensure the starting position is correct before inserting the connecting QUI CKFIT

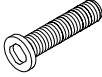
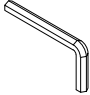
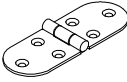
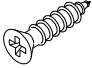
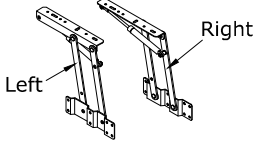
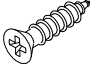


Quickfit head should be in the centre of the cam lock when the two panels are joined.

Cam lock should be inserted before quickfit.

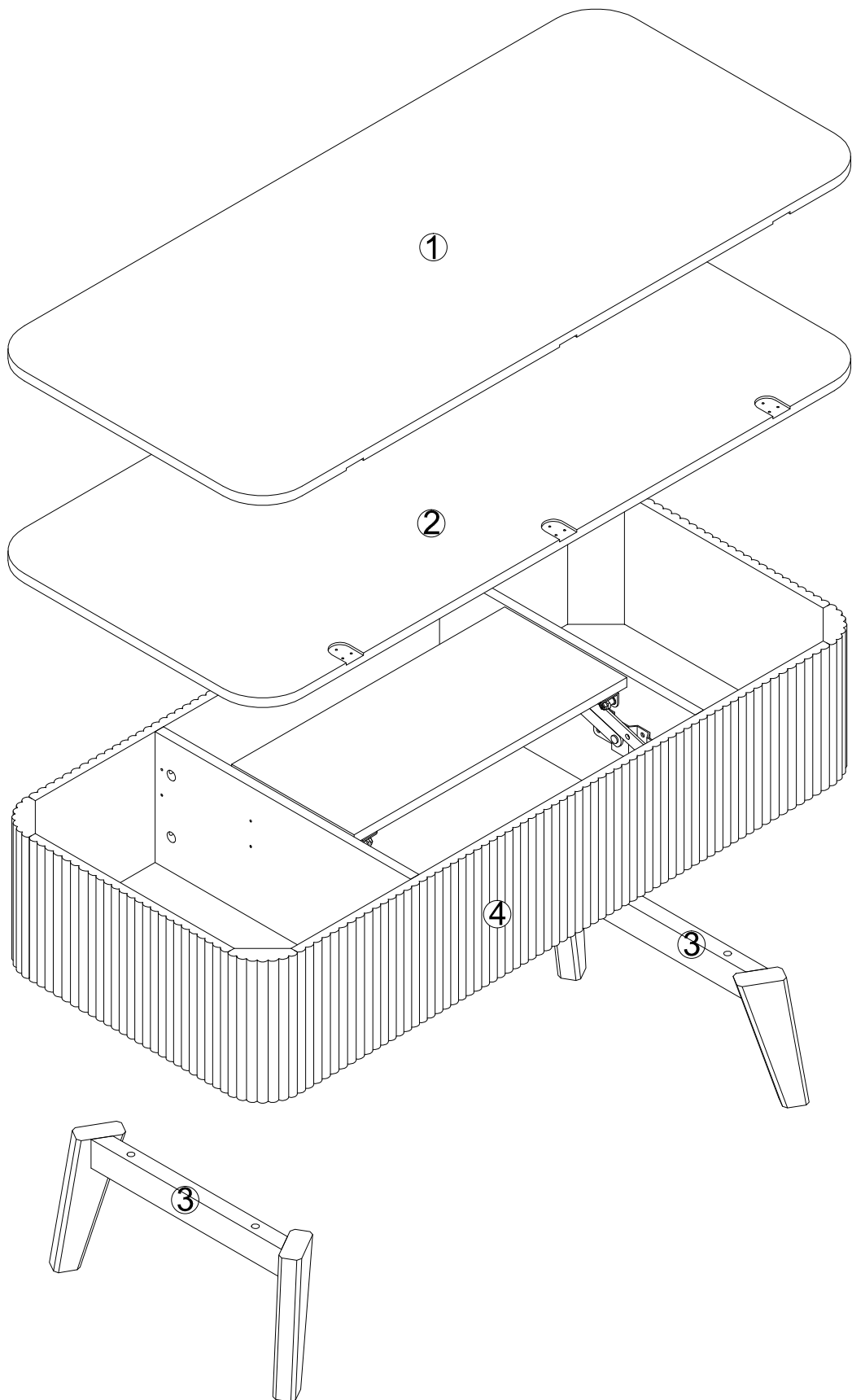


Turn cam lock clockwise to tighten.

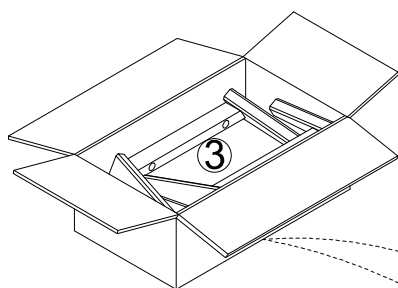
Part List

<p>No. A Quantity:4 Pcs Screw M8*35mm</p> 	<p>No. B Quantity:1 Pcs Allen Key 5#</p> 	<p>No. C Quantity:3 Pcs Hinge 84*30*6mm</p> 	<p>No. D Quantity:18 Pcs Screw M3*14mm</p> 
<p>No. E Quantity:1 Sets Lifting rod</p> 	<p>No. F Quantity:24 Pcs Screw M4*16mm</p> 	<p>No. G Quantity:18 Pcs Sticker Ø20</p> 	<p>No. H Quantity:4 Pcs Foot Pad Ø20</p> 

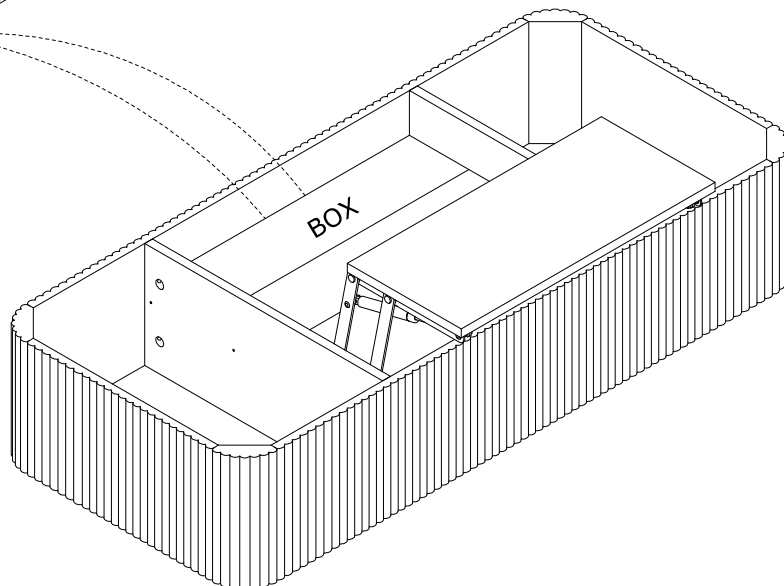
Product structure



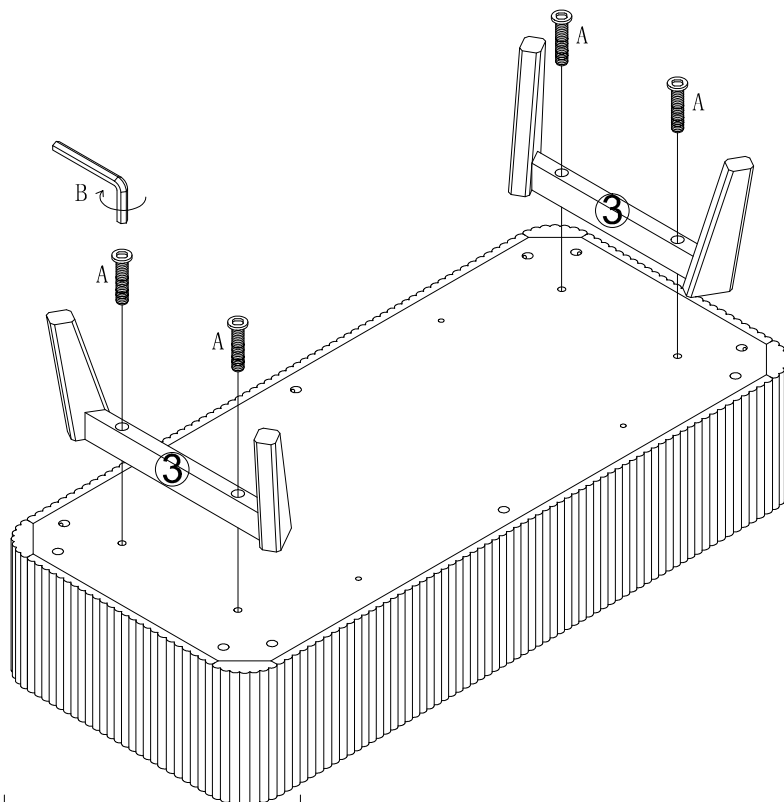
STEP 1



Note: First, take the cardboard box out from the inside of the cabinet, and then take the feet and hardware out from the cardboard box to facilitate the subsequent installation.



STEP 2



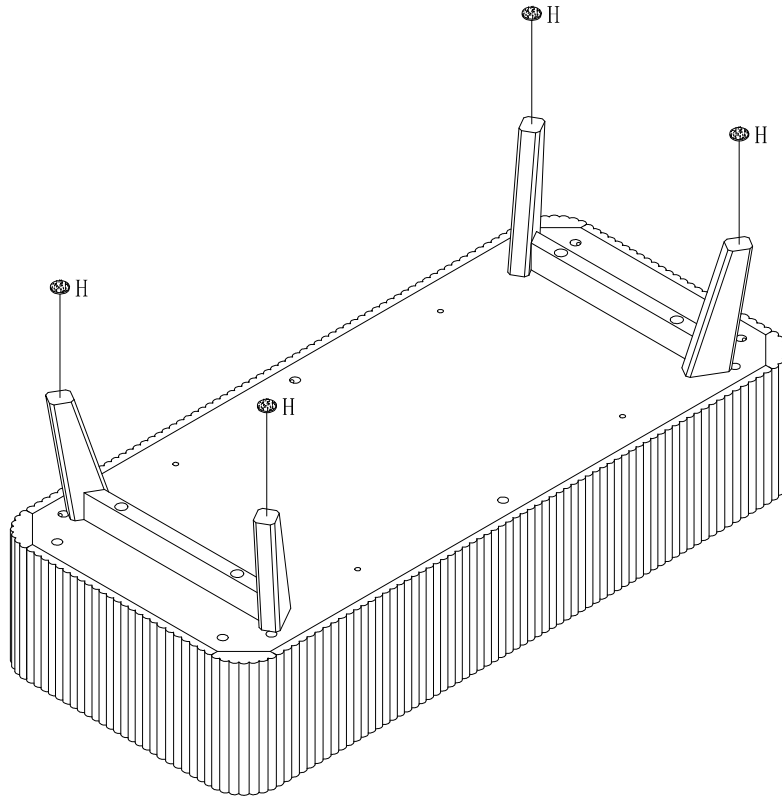
No. A
Quantity: 4 Pcs
M8*35mm



No. B
Quantity: 1 Pcs
5#



STEP 3

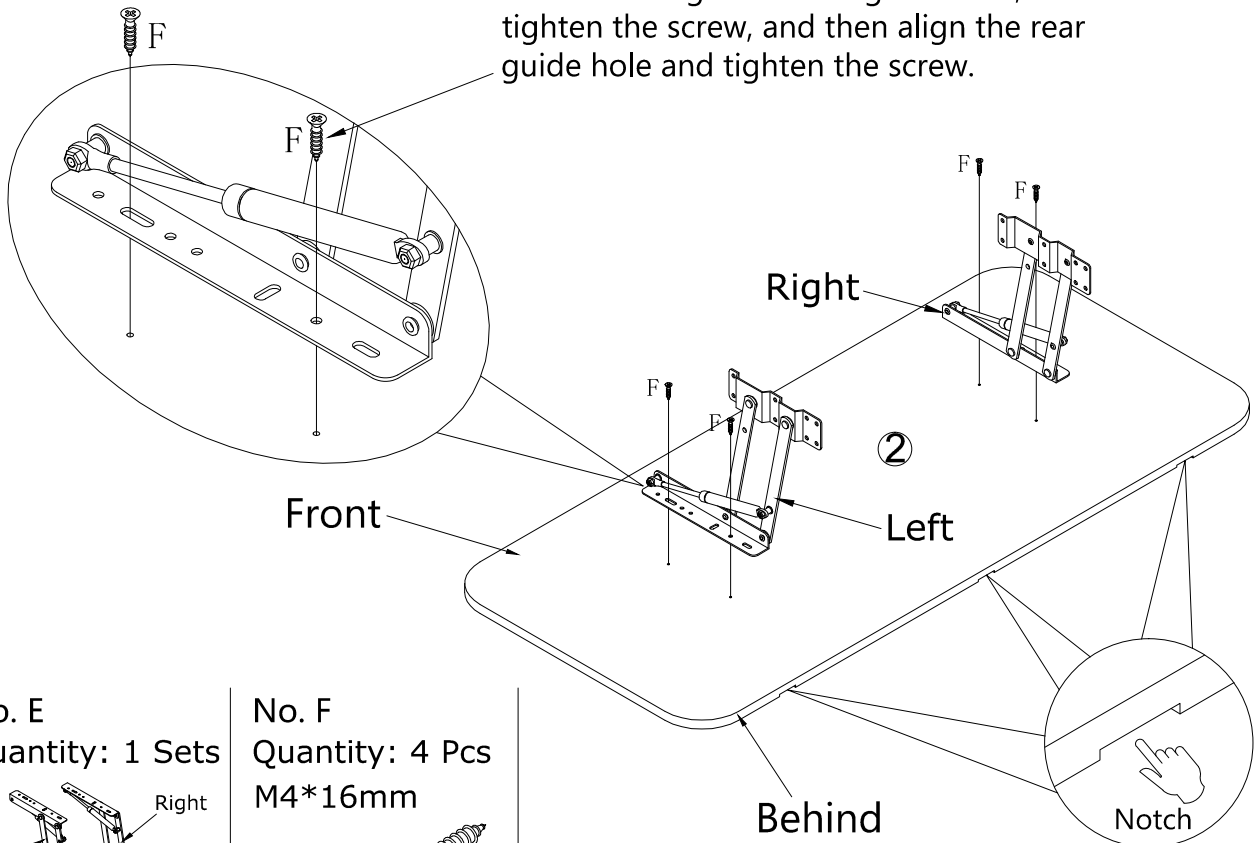


No. H
Quantity: 4 Pcs
Ø20

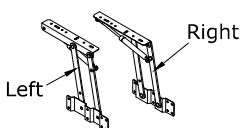


STEP 4

Note: First align the front guide hole, then tighten the screw, and then align the rear guide hole and tighten the screw.



No. E
Quantity: 1 Sets

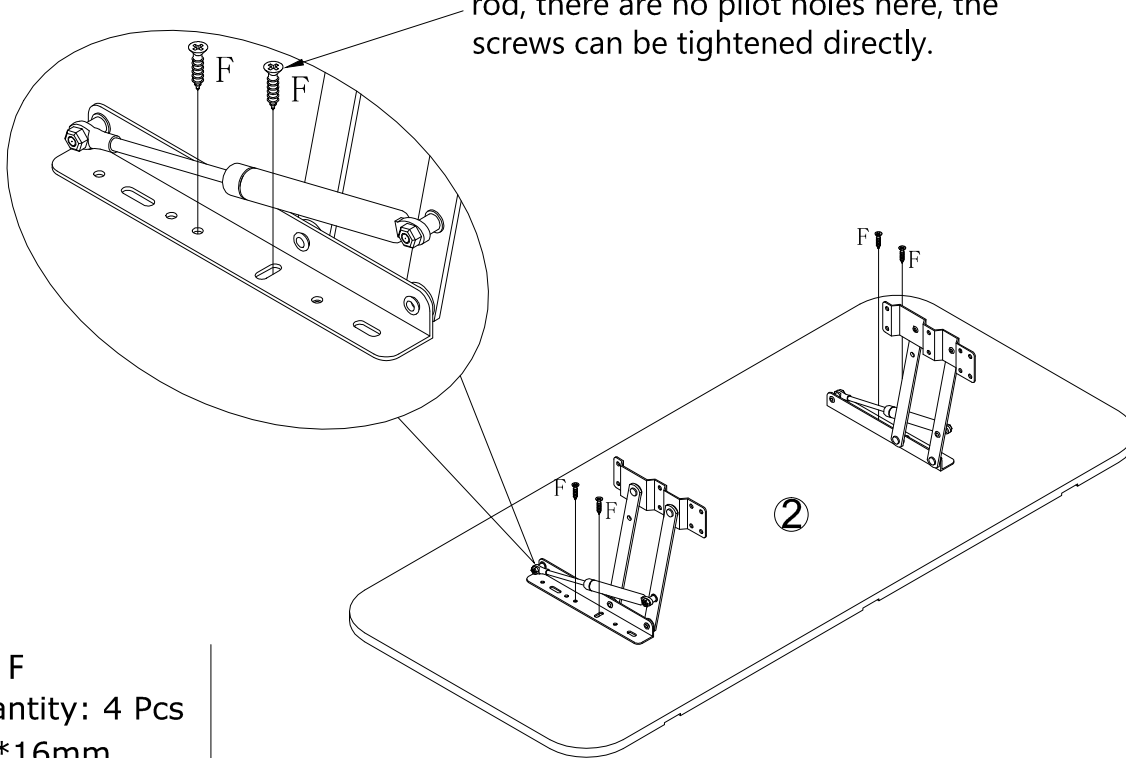


No. F
Quantity: 4 Pcs
M4*16mm



STEP 5

Note: Use screws to reinforce the lifting rod, there are no pilot holes here, the screws can be tightened directly.



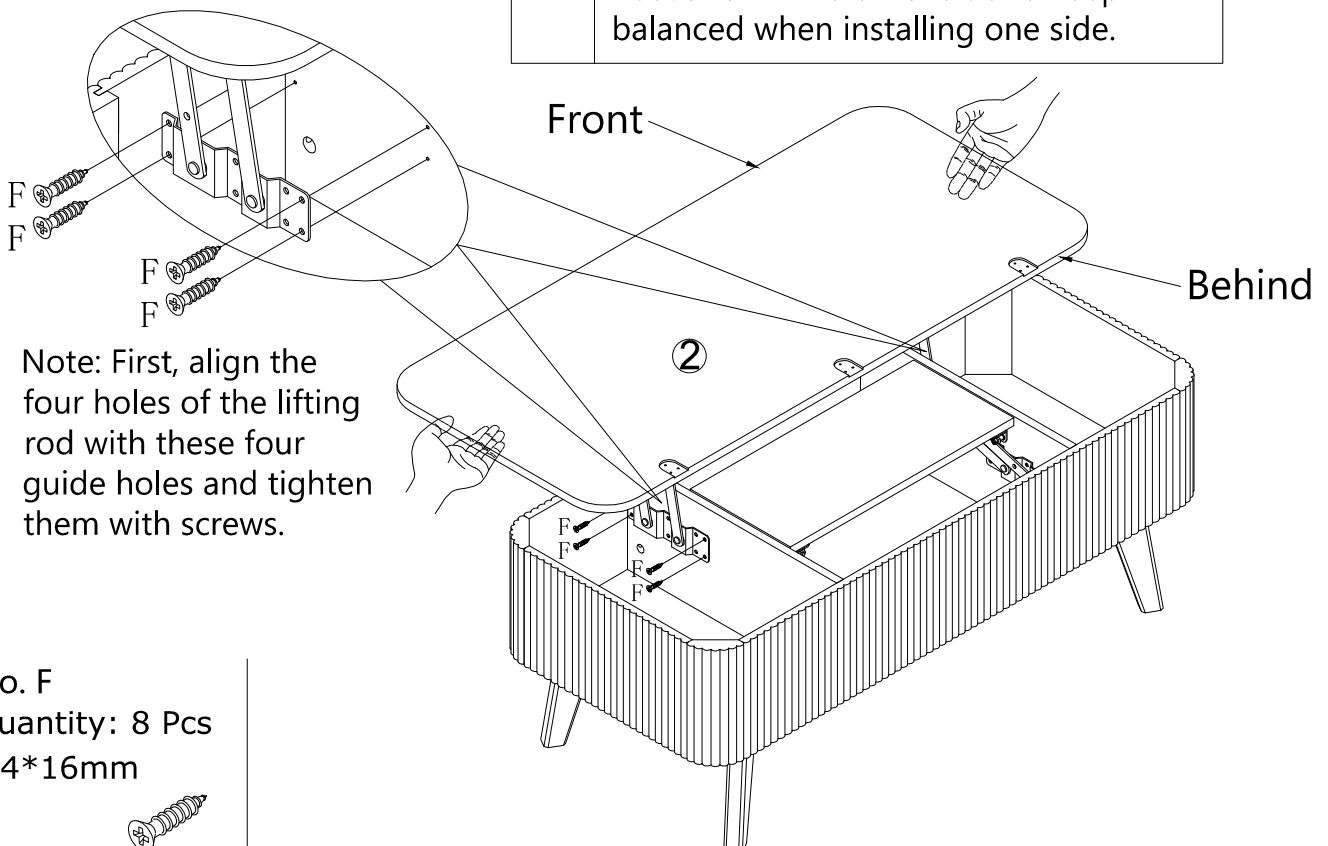
No. F
Quantity: 4 Pcs
M4*16mm



STEP 6



Note: It takes two people to work when installing the No. 2 board, and someone needs to lift the other side to keep it balanced when installing one side.

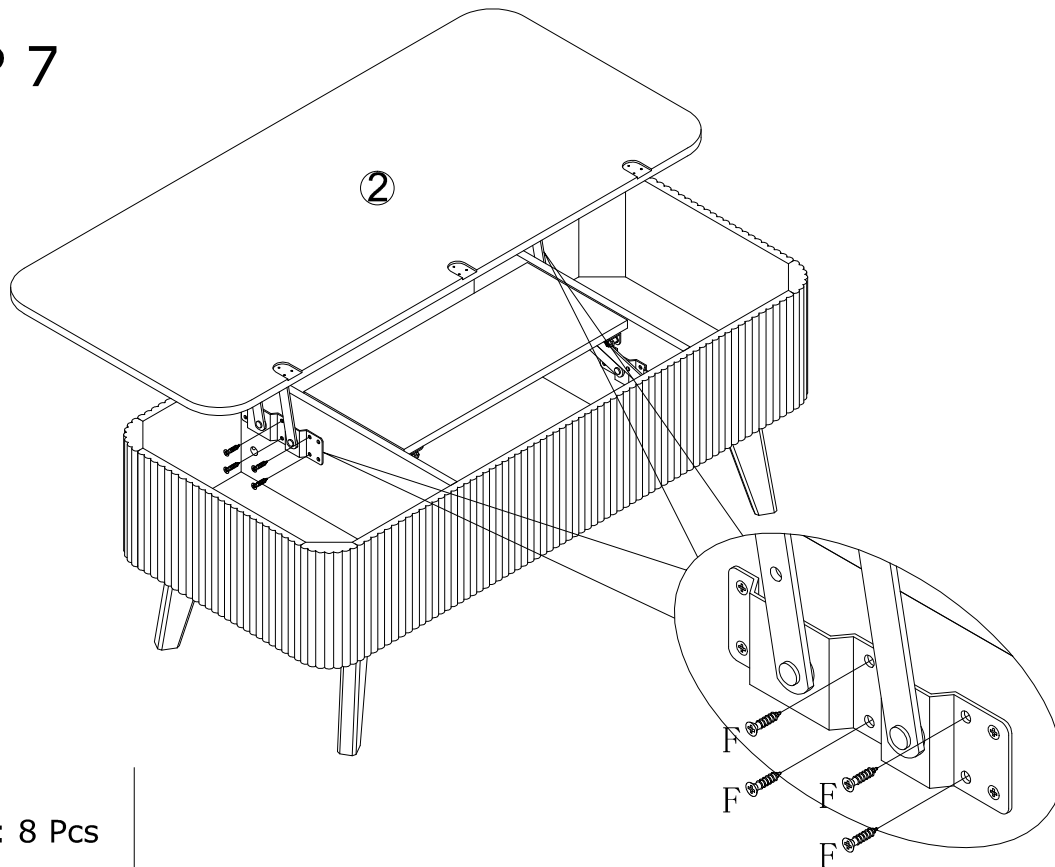


Note: First, align the four holes of the lifting rod with these four guide holes and tighten them with screws.

No. F
Quantity: 8 Pcs
M4*16mm



STEP 7

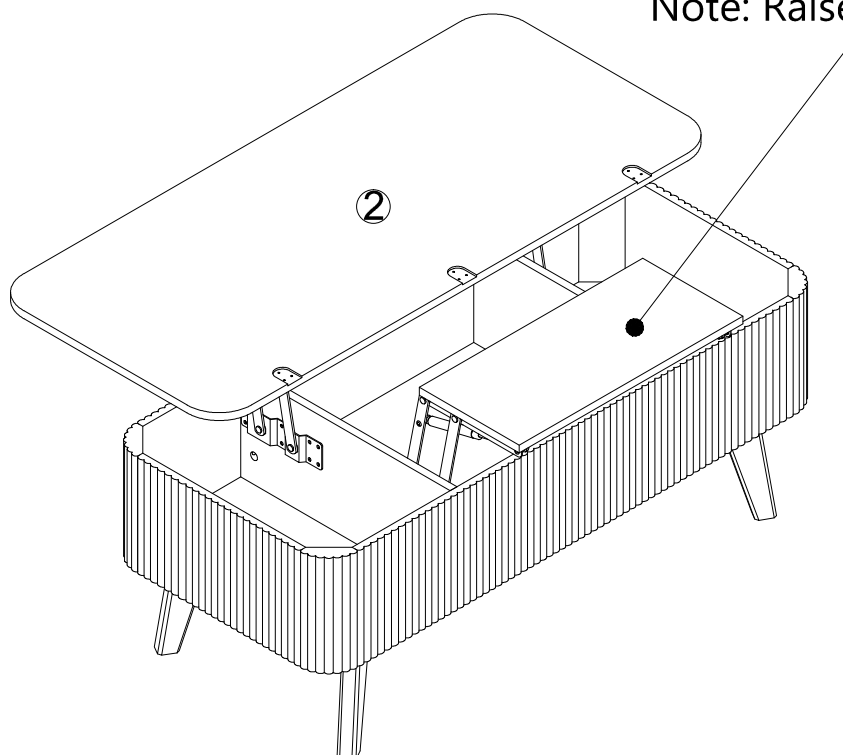


No. F
Quantity: 8 Pcs
M4*16mm



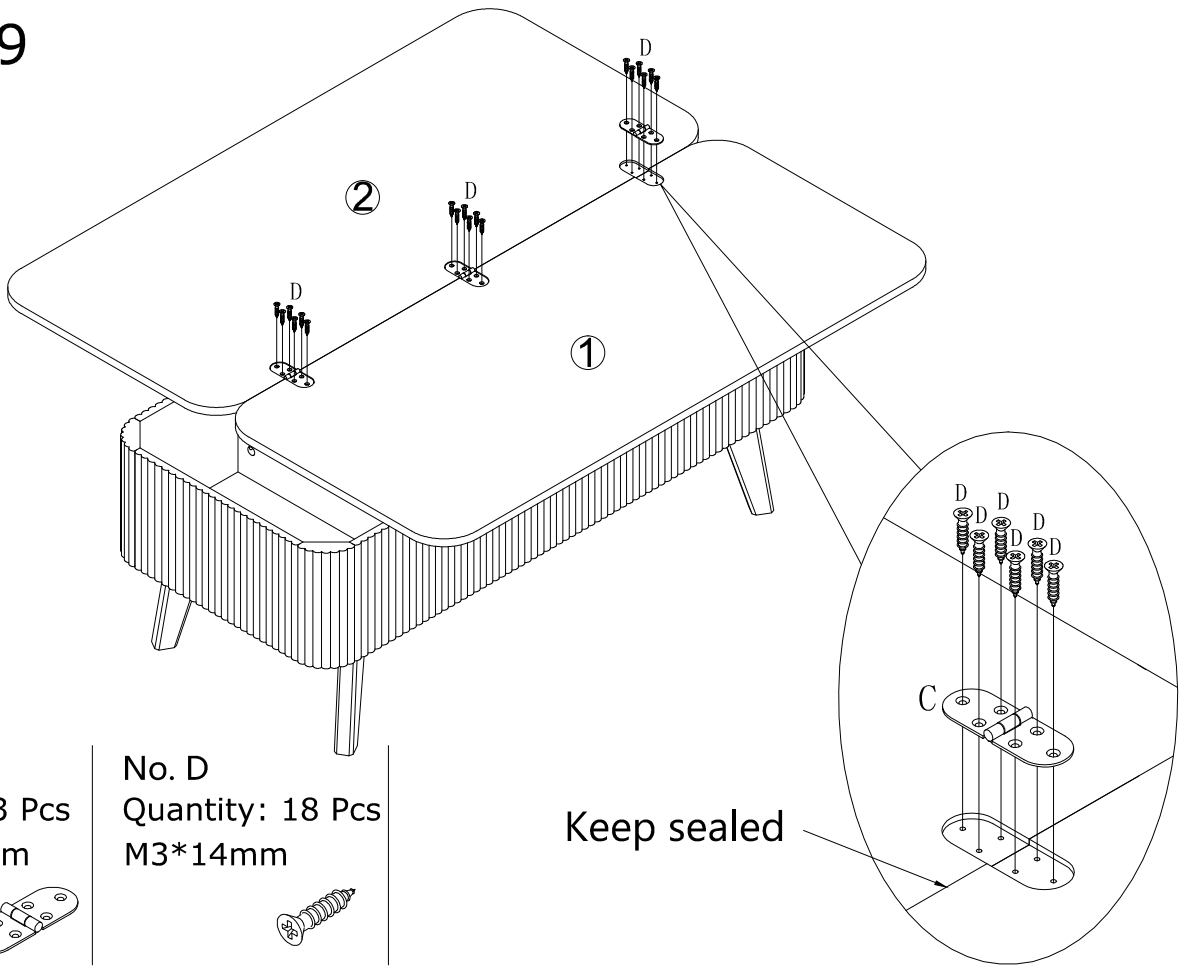
Note: Use screws to reinforce the lifting rod, there are no pilot holes here, the screws can be tightened directly.

STEP 8

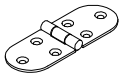


Note: Raise the small panel first.

STEP 9



No. C
Quantity: 3 Pcs
84*30*6mm

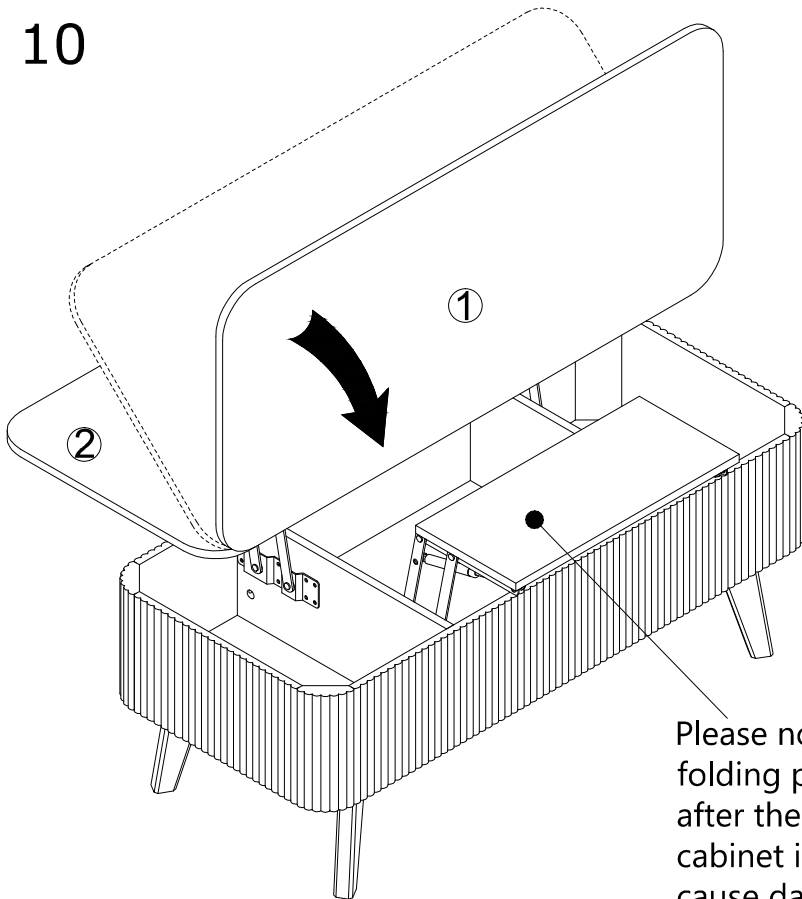


No. D
Quantity: 18 Pcs
M3*14mm



Keep sealed

STEP 10



Please note that when using, the folding panel needs to be expanded after the small panel inside the cabinet is lifted up, otherwise it may cause damage to the panel.