











ASSEMBLY INSTRUCTION











Thank you for purchasing this quality product. Be sure to check all packing material carefully for small parts which may have come loose inside the carton during shipment. Separate, identify and count all parts and hardware. Compare with the parts list to be sure all parts are present.

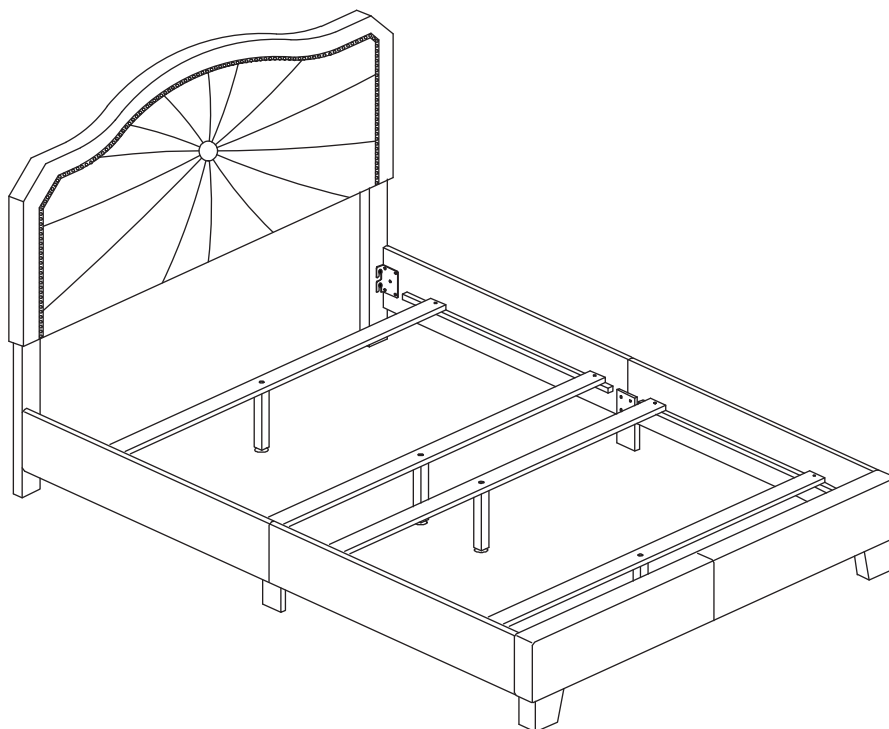
"DO NOT TIGHTEN SCREWS UNTIL COMPLETELY ASSEMBLED"

IMPORTANT:

PLEASE READ INSTRUCTION BEFORE STARTING THE ASSEMBLY

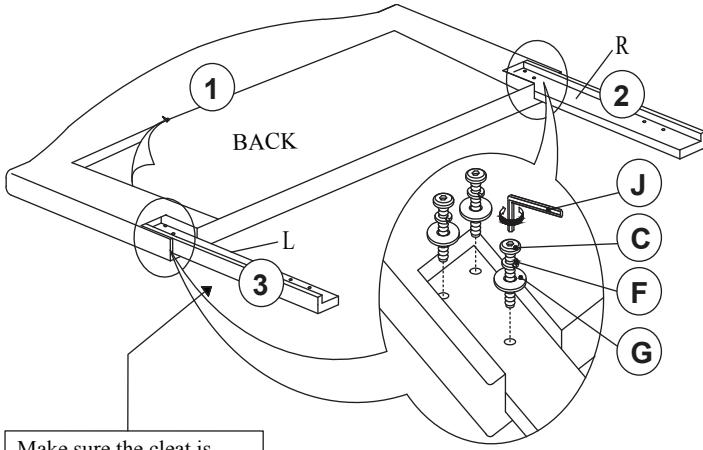
HARDWARE LIST				
ITEM	DESCRIPTION	DRAWING	SIZE	QTY
A	JCBB SCREW		M8 X 20MM	8PCS
B	JCBC SCREW		M6 X 25MM	8PCS
C	JCBC SCREW		M6 X 35MM	10PCS
D	JCBC SCREW		M6 X 70MM	2PCS
E	WOOD DOWEL		M8 X 30MM	2PCS
F	SPRING WASHER		M6 X 13MM	14PCS
G	FLAT WASHER		M6 X 19MM	14PCS
H	SCREW		M4 X 32MM	8PCS
I	L - KEY		M5 X 65MM	1PC
J	L - KEY		M4 X 100MM	1PC

PART LIST			
ITEM	DESCRIPTION	DRAWING	QTY
1	HEADBOARD CUSHION		1PC
2	HEADBOARD LEG (R)		1PC
3	HEADBOARD LEG (L)		1PC
4	FOOTBOARD CUSHION		1PC
5	FOOTBOARD LEG		2PCS
6	SIDE RAIL		2PCS
7	SIDE RAIL		2PCS
8	SIDE RAIL SUPPORT LEG		2PCS
9	SLAT		4PCS
10	SUPPORT LEG WITH ADJUSTABLE FEET		4PCS



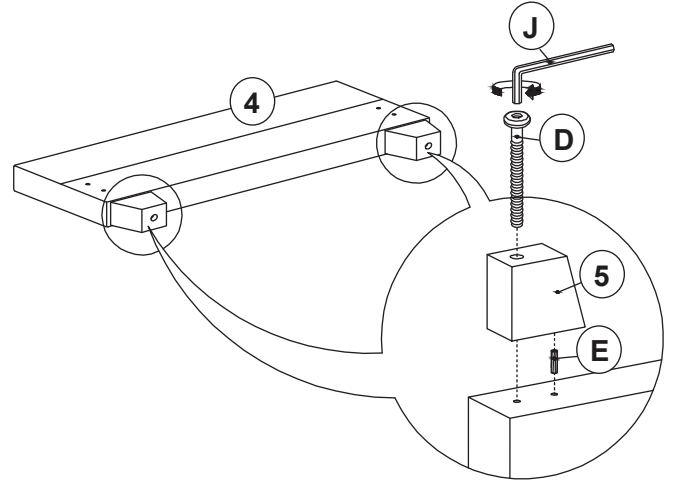
ASSEMBLY INSTRUCTION

STEP 1

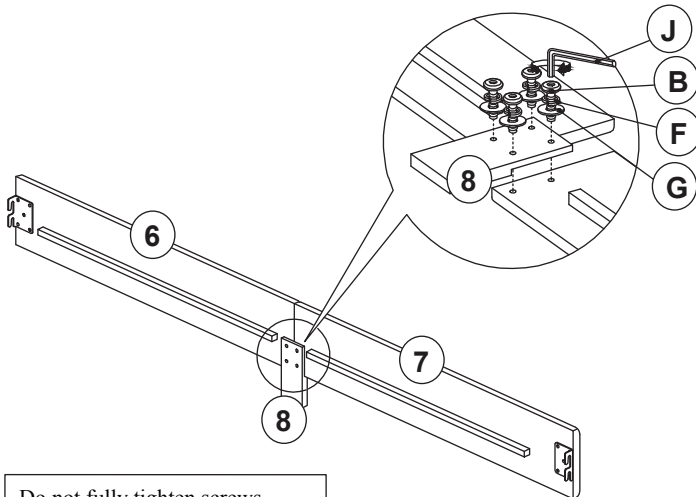


Make sure the cleat is on outside edge

STEP 2

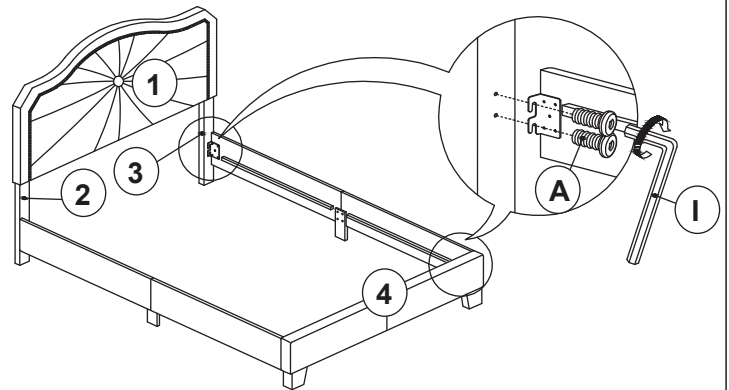


STEP 3

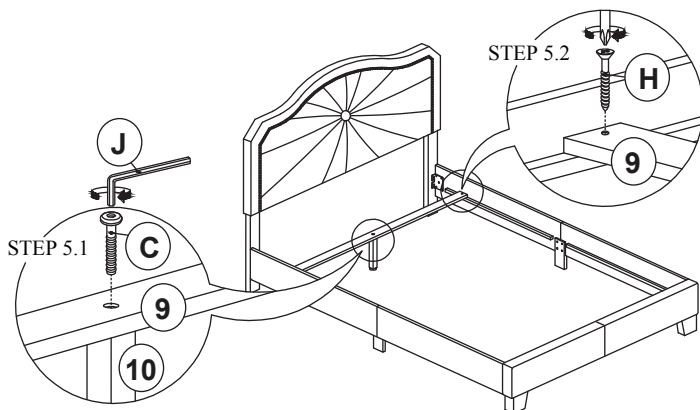


Do not fully tighten screws until assembly is complete and the bed is level

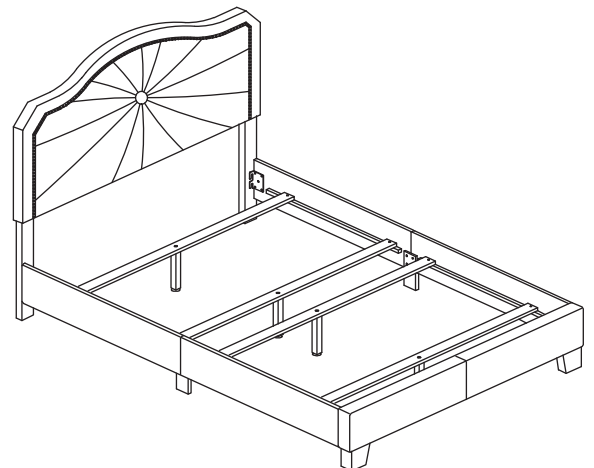
STEP 4



STEP 5



STEP 6



ASSEMBLY
COMPLETED